

SERVICE PARTS LIST FOR MITSUBISHI ELECTRIC PACKAGED AIR-CONDITIONERS

Series PLFY-P -VLMD-A

For use with the R407C & R22

**REVISED
June. 2003**

INDEX

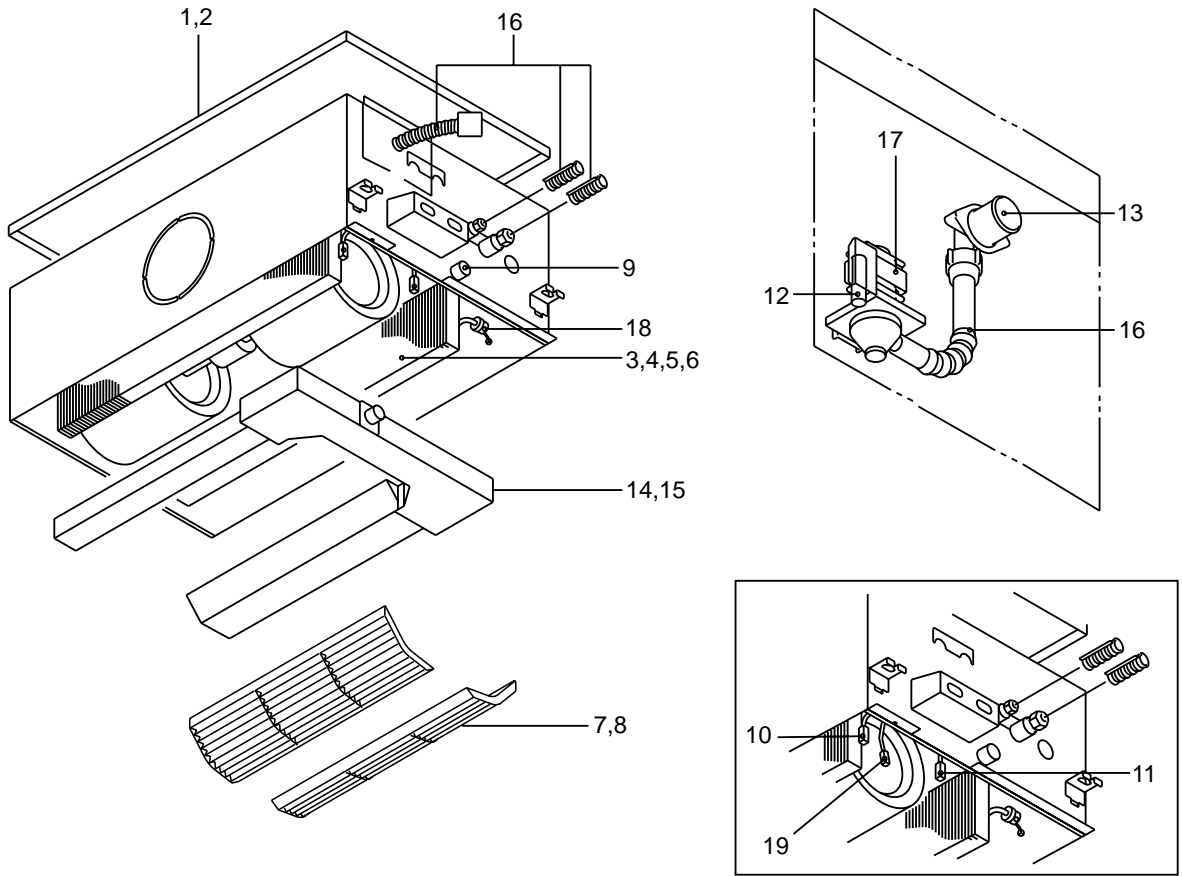
PLFY-P20,P25,P32,P40,P50VLMD-A

PLFY-P63,P80VLMD-A

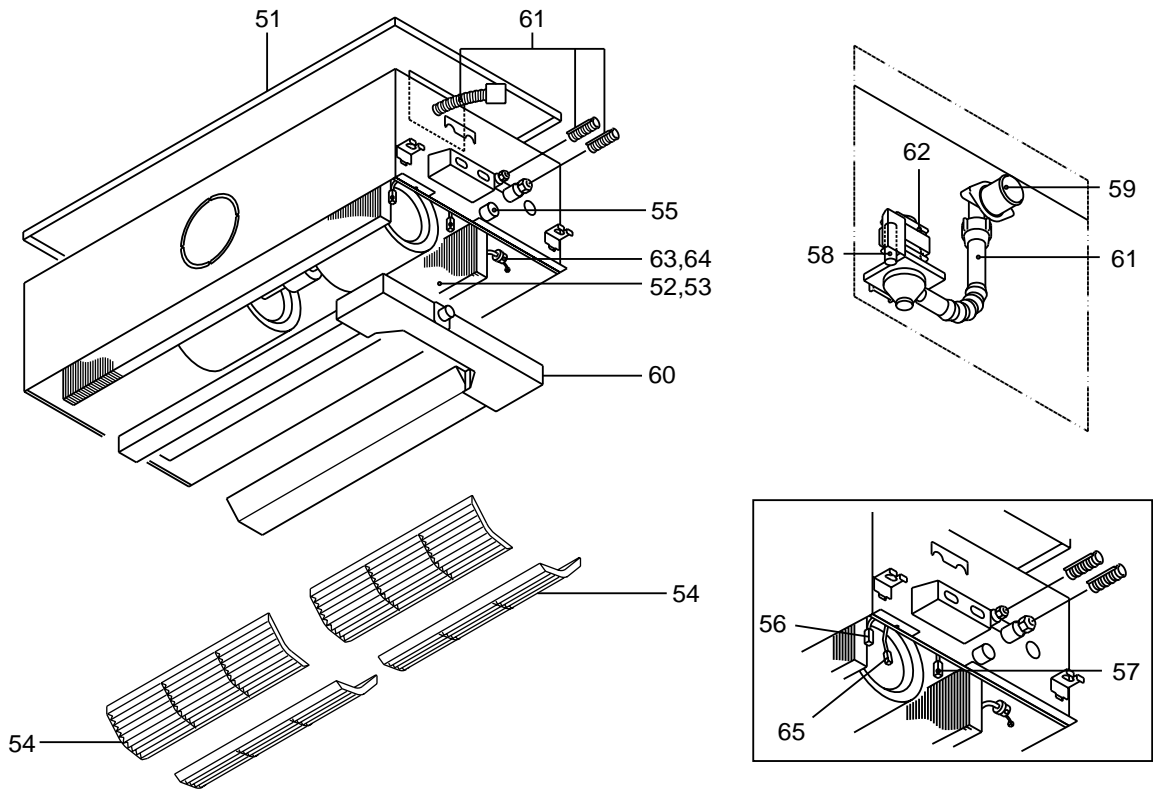
PLFY-P100,P125VLMD-A



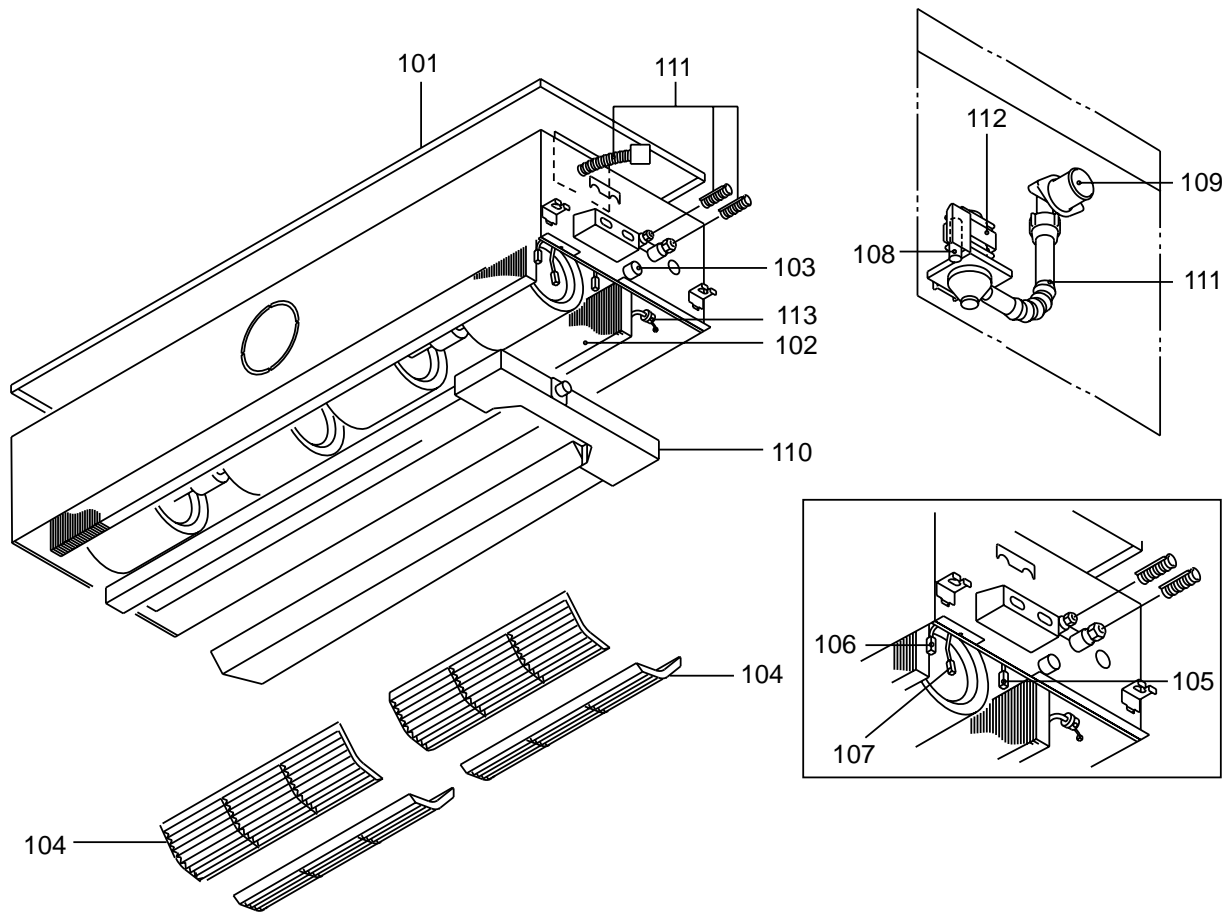
PLFY-P20,P25,P32,P40,P50VLMD-A EXTERNAL PARTS



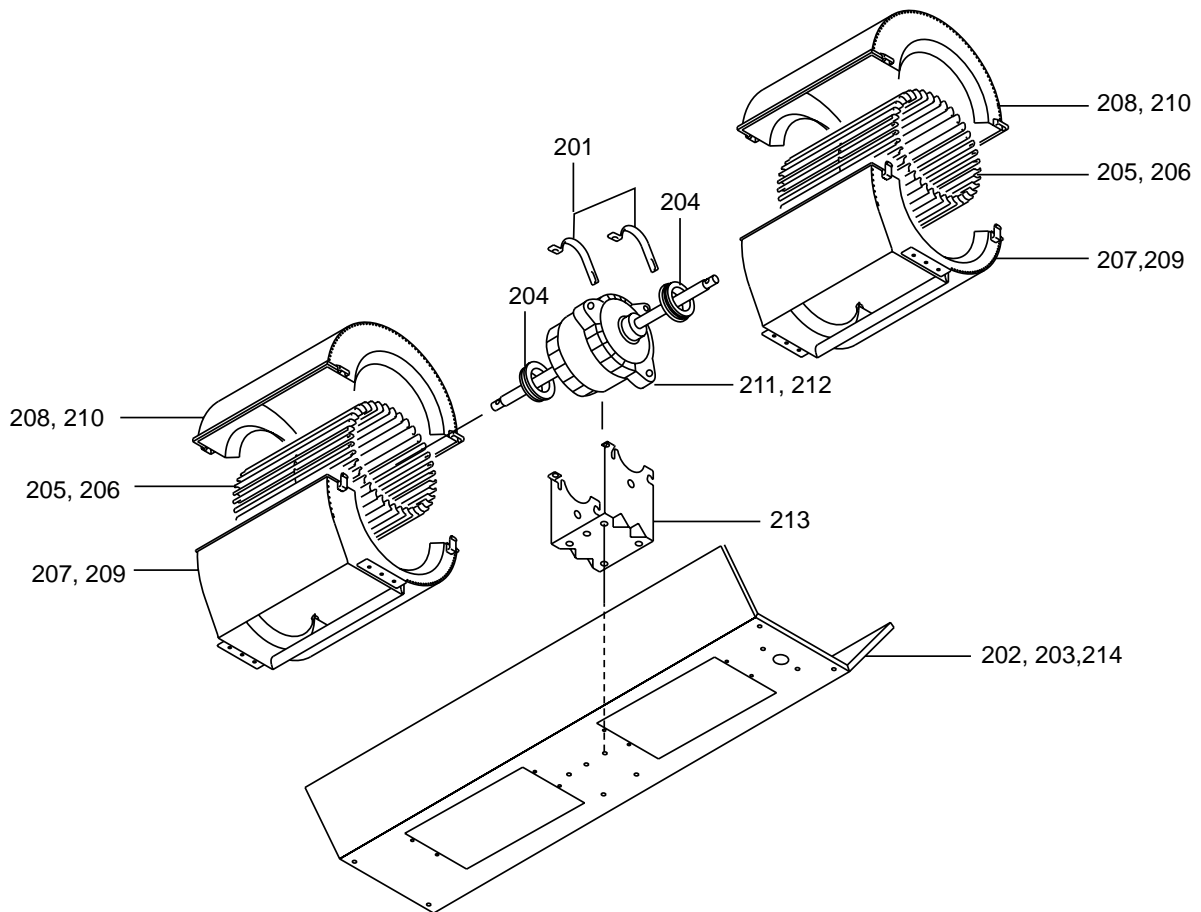
No.	Part No.	Part Name	Spec.						Dwg. No.	Price
				-P20VLMD-A	-P25VLMD-A	-P32VLMD-A	-P40VLMD-A	-P50VLMD-A		
1	R61 E38 642	Top panel ass'y		1	1	1			W622580G01	
2	R61 E40 642	Top panel ass'y					1	1	W622580G02	
3	R61 H28 480	Heat exchanger J28		1	1				W122274G44	
4	R61 H29 480	Heat exchanger J36				1			W122274G45	
5	R61 H30 480	Heat exchanger J45					1		W122274G46	
6	R61 H31 480	Heat exchanger J56						1	W122274G47	
7	R61 E38 500	Air filter 36		2	2	2			P717945X01	
8	R61 E40 500	Air filter 56					2	2	P717946X01	
9	R61 E96 558	Rubber stopper		1	1	1	1	1	P312040X01	
10	R61 E38 288	Sensor processing (liquid)	<TH22>	1	1	1	1	1	W860042G03	
11	R61 E38 287	Sensor processing (gas)	<TH23>	1	1	1	1	1	W860042G02	
12	R61 H86 289	Drain sensor ass'y	<DS>	1	1	1	1	1	W861228G02	
13	R61 A75 218	Socket		1	1	1	1	1	W621301H01	
14	R61 E38 529	Drain pan ass'y 36		1	1	1			W622592G20	
15	R61 E40 529	Drain pan ass'y 56					1	1	W622592G21	
16	R61 E38 525	Drain hose set		1	1	1	1	1	P645054X01	
17	R61 Y04 539	Drain pump LVD	<DP>	1	1	1	1	1	P722079X01	
18	R61 373 401	Linear expansion valve	<LEV>EDM-402	1	1	1	1	1	P632256X01	
19	R61 E96 288	Sensor processing (inlet)	<TH21>	1	1	1	1	1	W860042G04	



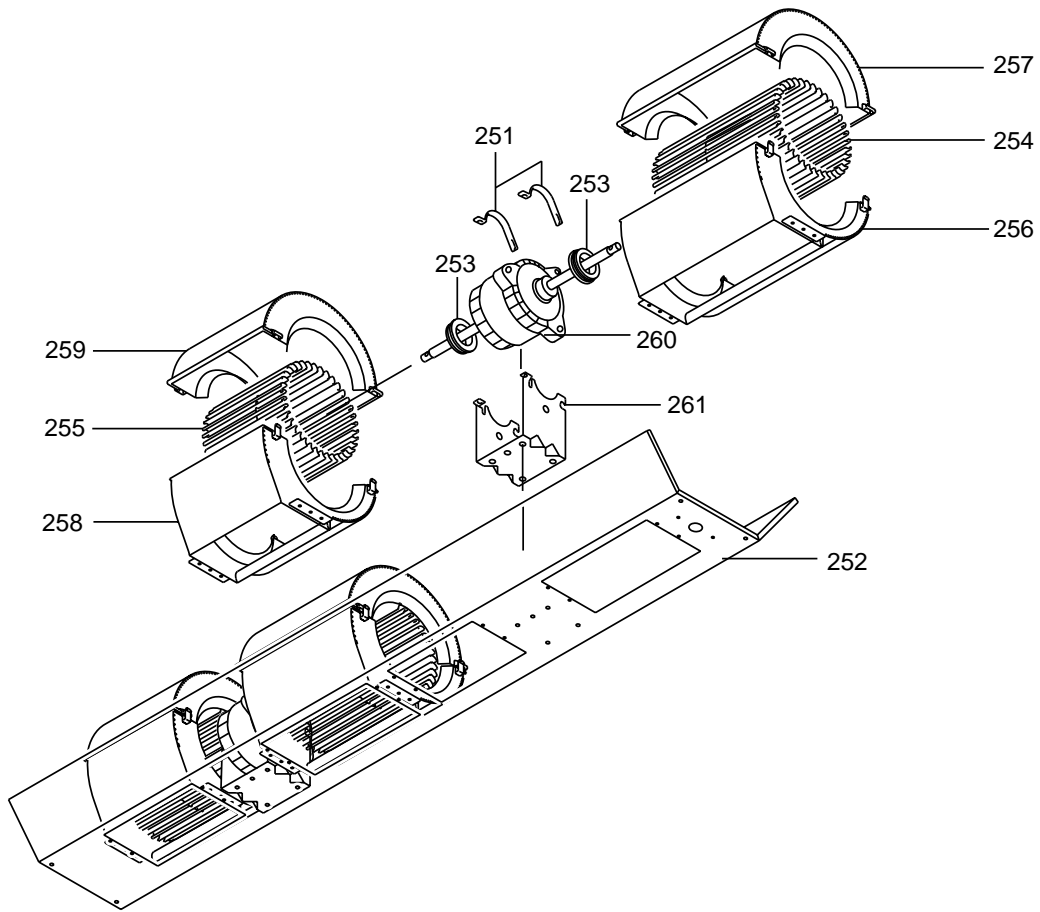
No.	Part No.	Part Name	Spec.	-P63VLM-D-A	-P80VLM-D-A					Dwg. No.	Price
51	R61 E42 642	Top panel ass'y		1	1					W622580G03	
52	R61 H32 480	Heat exchanger J71		1						W122274G48	
53	R61 H33 480	Heat exchanger J80,90			1					W122274G49	
54	R61 E38 500	Air filter 36		4	4					P717945X01	
55	R61 E96 558	Rubber stopper		1	1					P312040X01	
56	R61 E38 288	Sensor processing (liquid)	<TH22>	1	1					W860042G03	
57	R61 E38 287	Sensor processing (gas)	<TH23>	1	1					W860042G02	
58	R61 H86 289	Drain sensor ass'y	<DS>	1	1					W861228G02	
59	R61 A75 218	Socket		1	1					W621301H01	
60	R61 E42 529	Drain pan ass'y 90		1	1					W622592G22	
61	R61 E38 525	Drain hose set		1	1					P645054X01	
62	R61 Y04 539	Drain pump LVD	<DP>	1	1					P722079X01	
63	R61 373 401	Linear expansion valve	<LEV>EDM-402	1						P632256X01	
64	R61 350 401	Linear expansion valve	<LEV>EDM-804		1					P632258X01	
65	R61 E96 288	Sensor processing (inlet)	<TH21>	1	1					W860042G04	



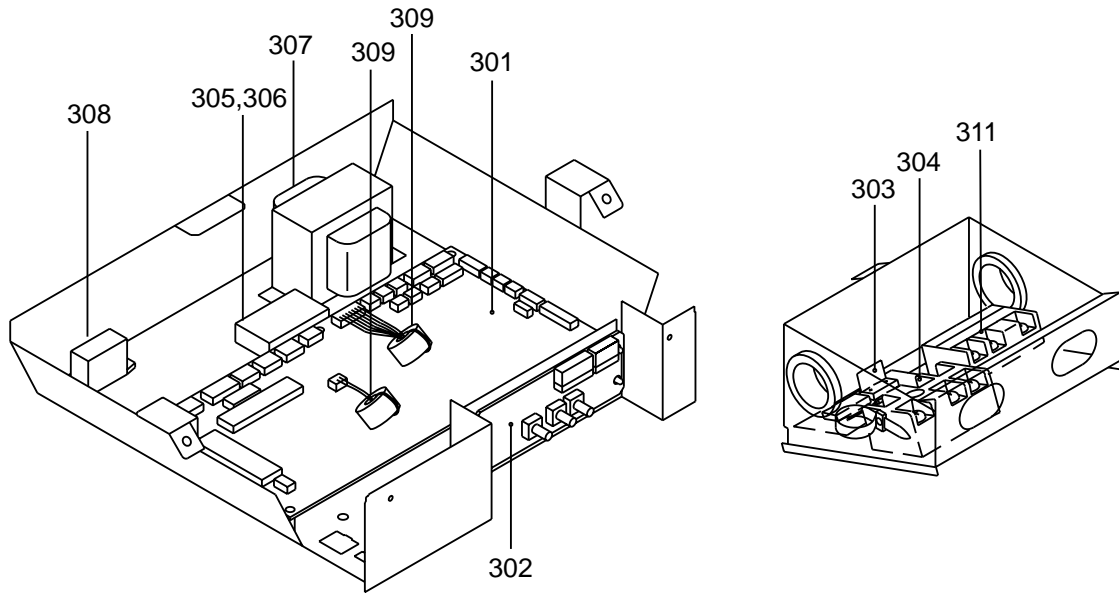
No.	Part No.	Part Name	Spec.	-P100VLMD-A	-P125VLMD-A					Dwg. No.	Price
101	R61 E96 641	Top panel ass'y		1	1					W625343G01	
102	R61 H34 480	Heat exchanger ass'y J112		1	1					W122282G10	
103	R61 E96 558	Rubber stopper		1	1					P312040X01	
104	R61 E96 500	Air filter 112		4	4					P717990X01	
105	R61 E38 287	Sensor processing (gas)	<TH23>	1	1					W860042G02	
106	R61 E38 288	Sensor processing (liquid)	<TH22>	1	1					W860042G03	
107	R61 E96 288	Sensor processing (inlet)	<TH21>	1	1					W860042G04	
108	R61 H86 289	Drain sensor ass'y	<DS>	1	1					W861228G02	
109	R61 A75 218	Socket		1	1					W621301H01	
110	R61 E96 529	Drain pan ass'y 112		1	1					W622592G23	
111	R61 E38 525	Drain hose set		1	1					P645054X01	
112	R61 Y04 539	Drain pump LVD	<DP>	1	1					P722079X01	
113	R61 350 401	Linear expansion valve	<LEV>EDM-804	1	1					P632258X01	



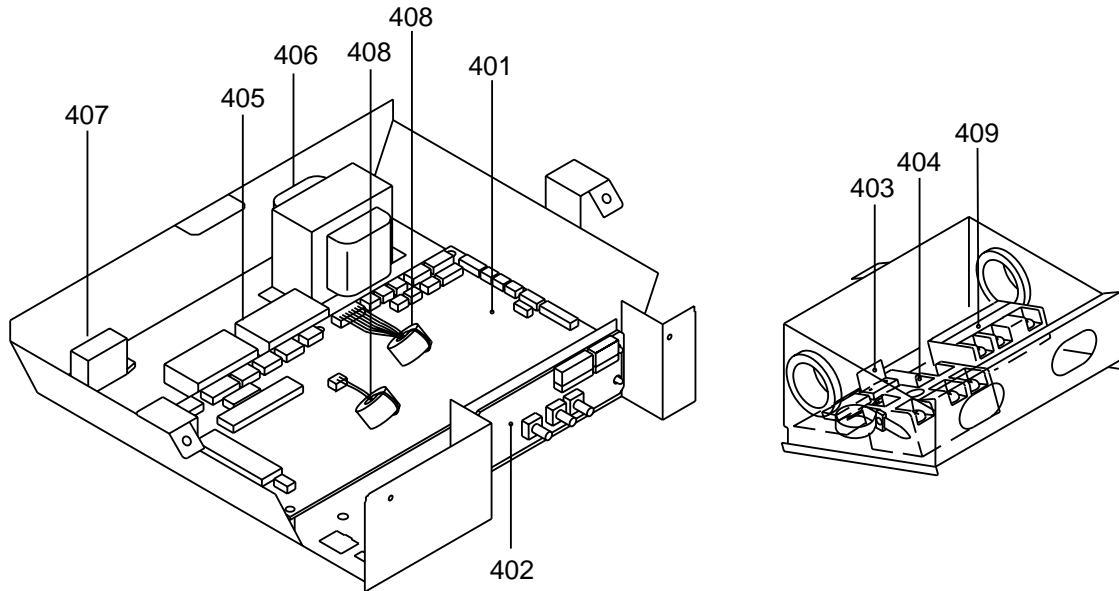
No.	Part No.	Part Name	Spec.					Dwg. No.	Price
				-P40VLMD-A	-P50VLMD-A	-P63VLMD-A	-P80VLMD-A		
201	R61 652 131	Fixing plate		2	2	2	2	W353715H01	
202	R61 E40 141	Fan stand ass'y 56		1	1			W622583G02	
203	R61 E42 141	Fan stand ass'y 63				1		W622583G03	
204	R61 979 104	Rubber bush (CR,black)		2	2	2	2	W843446H02	
205	R61 G22 114	Sirocco fan (180-180)		2	2			W122296G02	
206	R61 G21 114	Sirocco fan (180-230)				2	2	W122297G02	
207	R61 E40 109	Fan casing (180-180)		2	2			W126411G01	
208	R61 E41 109	Fan casing (180-180)		2	2			W126412G01	
209	R61 E38 109	Fan casing (180-230)				2	2	W126411G02	
210	R61 E39 109	Fan casing (180-230)				2	2	W126412G02	
211	R61 979 220	Motor (75W 4P)	<MF>75W,1PHASE,220V	1	1			P714079X02	
212	R61 980 220	Motor (78W 4P)	<MF>78W,1PHASE,220V			1	1	P714078X02	
213	R61 E38 130	Motor support		1	1	1	1	W260434H02	
214	R61 E43 141	Fan stand ass'y 80					1	W622583G04	



No.	Part No.	Part Name	Spec.	P100VLMD-A	P125VLMD-A					Dwg. No.	Price
251	R61 652 131	Fixing plate		4	4					W353715H01	
252	R61 E96 141	Fan stand ass'y 112		1	1					W625341G01	
253	R61 979 104	Rubber bush (CR,black)		4	4					W843446H02	
254	R61 G21 114	Sirocco fan (180-230)		2	2					W122297G02	
255	R61 G22 114	Sirocco fan (180-180)		2	2					W122296G02	
256	R61 E38 109	Fan casing (180-230)		2	2					W126411G02	
257	R61 E39 109	Fan casing (180-230)		2	2					W126412G02	
258	R61 E40 109	Fan casing (180-180)		2	2					W126411G01	
259	R61 E41 109	Fan casing (180-180)		2	2					W126412G01	
260	R61 E96 220	Motor	<MF>78W,1PHASE,220V	2	2					P714426X01	
261	R61 E38 130	Motor support		2	2					W260434H02	



No.	Part No.	Part Name	Spec.	-P20VLMD-A	-P25VLMD-A	-P32VLMD-A	-P40VLMD-A	-P50VLMD-A	Dwg. No.	Price
301	R61 Y76 280	Board ass'y (PC)	<I.B>	1	1	1	1	1	W849036G04	
302	R61 Y77 280	Board ass'y (AD)	<A.B>	1	1	1	1	1	W849036G06	
303	R61 Y22 280	Board ass'y (DSA)	<S.B>	1	1	1	1	1	W848419G01	
304	R61 Y08 715	Terminal bed	<TB2>	1	1	1	1	1	P436157X01	
305	R61 F78 252	Condenser 2.5	<C>(440VAC,2.5uF)	1	1	1			P412213X01	
306	R61 F79 252	Condenser 5	<C>(440VAC,5uF)				1		P412214X01	
307	R61 Y08 260	Transformer	<T>(240V/23.5V-0.9A)	1	1	1	1	1	P715268X02	
308	R40 924 963	Relay(G2R)	<X>	1	1	1	1	1		
309	R61 Y01 015	Troidal ferrite clamp	<FB1,2>	2	2	2	2	2	P419042X01	
310	R61 Y08 252	Condenser 4	<C>(440VAC,4uF)					1	P412209X01	
311	R61 336 246	Terminal bed	<TB5>,<TB15>	1	1	1	1	1	P436114X03	



No.	Part No.	Part Name	Spec.	-P100VLMD-A	-P125VLMD-A					Dwg. No.	Price
401	R61 Y76 280	Board ass'y (PC)	<I.B>	1	1					W849036G04	
402	R61 Y77 280	Board ass'y (AD)	<A.B>	1	1					W849036G06	
403	R61 Y22 280	Board ass'y (DSA)	<S.B>	1	1					W848419G01	
404	R61 Y08 715	Terminal bed	<TB2>	1	1					P436157X01	
405	R61 F79 252	Condenser 5	<C1,2>(440VAC,5uF)	2	2					P412214X01	
406	R61 Y08 260	Transformer	<T>(240V/23.5V-0.9A)	1	1					P715268X02	
408	R40 924 963	Relay(G2R)	<X>	1	1					P421187X01	
409	R61 Y01 015	Troidal ferrite cramp	<FB1,2>	2	2					P419042X01	
410	R61 336 246	Terminal bed	<TB5>,<TB15>	1	1					P436114X03	

