



SPLIT-TYPE, HEAT PUMP AIR CONDITIONERS

# 2001

No. OC248  
REVISED EDITION-A

## TECHNICAL & SERVICE MANUAL

### Series **PMFY** Ceiling Cassettes R407C / R22

Indoor unit  
[Model names]

PMFY-P20VBM-A

PMFY-P25VBM-A

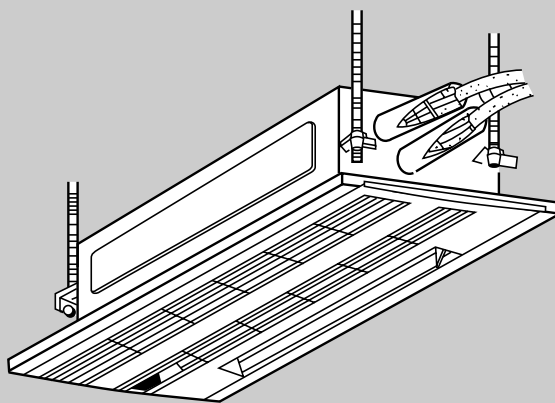
PMFY-P32VBM-A

PMFY-P40VBM-A

[Service Ref.]

**PMFY-P20VBM-A**  
**PMFY-P20VBM-A<sub>1</sub>**  
**PMFY-P25VBM-A**  
**PMFY-P25VBM-A<sub>1</sub>**  
**PMFY-P32VBM-A**  
**PMFY-P32VBM-A<sub>1</sub>**  
**PMFY-P40VBM-A**  
**PMFY-P40VBM-A<sub>1</sub>**

- PMFY-P20VBM-A<sub>1</sub>, PMFY-P25VBM-A<sub>1</sub>, PMFY-P32VBM-A<sub>1</sub>, PMFY-P40VBM-A<sub>1</sub> are added in Revised Edition-A.
- Please destroy OC248.



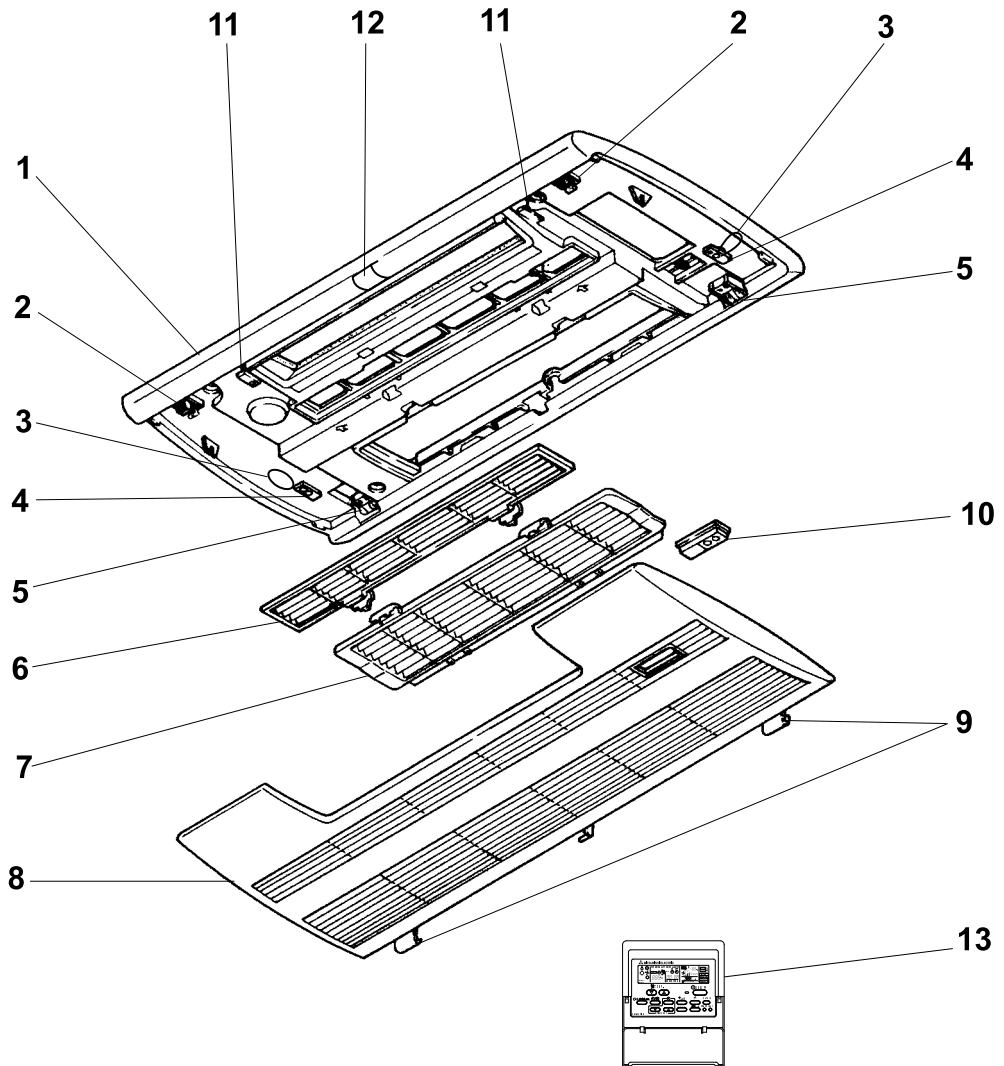
INDOOR UNIT

### CONTENTS

1. TECHNICAL CHANGE .....	2
2. SAFETY PRECAUTION .....	2
3. PART NAMES AND FUNCTIONS .....	4
4. SPECIFICATION .....	6
5. OUTLINES AND DIMENSIONS .....	10
6. WIRING DIAGRAM .....	11
7. REFRIGERANT SYSTEM DIAGRAM .....	12
8. TROUBLE SHOOTING .....	13
9. DISASSEMBLY PROCEDURE .....	19
10. PARTS LIST .....	22

PANEL PARTS

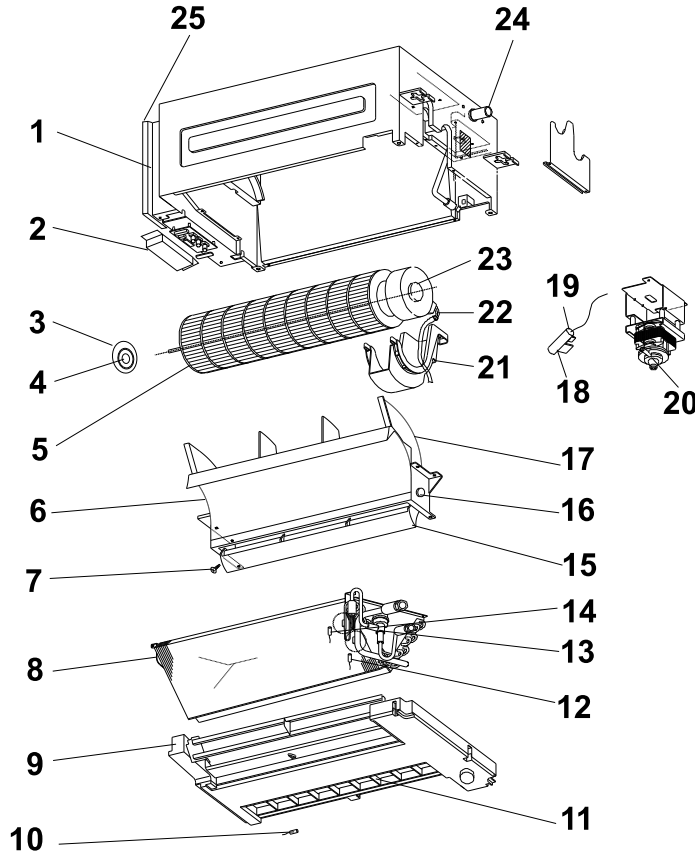
- PMFY-P20VBM-A
- PMFY-P20VBM-A<sub>1</sub>
- PMFY-P25VBM-A
- PMFY-P25VBM-A<sub>1</sub>
- PMFY-P32VBM-A
- PMFY-P32VBM-A<sub>1</sub>
- PMFY-P40VBM-A
- PMFY-P40VBM-A<sub>1</sub>



No.	Part No.	Part Name	Specification	Q'ty/set	Remarks (Drawing No.)	Wiring Diagram Symbol	Recom- mended Q'ty	Price	
				PMFY-P20/P25 P32/P40 VBM-A VBM-A <sub>1</sub>				Unit	Amount
1	T7W E11 003	AIR OUTLET GRILLE		1					
2	R01 E00 055	LATCH		2					
3	—	HANGER		2	(DT88D360H03)				
4	R01 E00 099	PANEL HOOK		2					
5	RO1 E01 054	GRILLE CATCH		2					
6	RO1 E01 500	L.L.FILTER		1					
7	R01 E02 500	L.L.FILTER		1					
8	TW7 E01 691	INTAKE GRILLE		1					
9	R01 E00 054	GRILLE CATCH		2					
10	R01 E00 648	RECEIVER COVER		1					
11	R01 E00 044	MAGNET		2					
12	R01 E00 096	SCREW CAP		1					
13	—	REMOTE CONTROLLER	PAR-20MAA	1		R.B			

## FUNCTIONAL PARTS

PMFY-P20VBM-A  
 PMFY-P20VBM-A<sub>1</sub>  
 PMFY-P25VBM-A  
 PMFY-P25VBM-A<sub>1</sub>  
 PMFY-P32VBM-A  
 PMFY-P32VBM-A<sub>1</sub>  
 PMFY-P40VBM-A  
 PMFY-P40VBM-A<sub>1</sub>



Part number that is circled is not shown in the figure.

No.	Part No.	Part Name	Specification	Q'ty/set				Remarks (Drawing No.)	Wiring Diagram Symbol	Recom- mended Q'ty	Price	
				PMFY-P · VBM-A		PMFY-P · VBM-A <sub>1</sub>					Unit	Amount
				20/25	32/40	20/25	32/40					
1	—	CABINET		1	1	1	1	(DT00A478G64)				
2	—	ADDRESS BOARD COVER		1	1	1	1	(RG02L277H02)				
3	R01 22A 102	BEARING MOUNT		1	1	1	1					
4	R01 005 103	SLEEVE BEARING		1	1	1	1					
5	R01 E02 114	LINE FLOW FAN		1	1	1	1					
6	R01 E00 079	STABILIZER ASSY		1	1	1	1					
7	R01 E00 092	VANE SLEEVE		1	1	1	1					
8	T7W E39 480	HEAT EXCHANGER		1		1						
	T7W E40 480	HEAT EXCHANGER			1		1					
9	R01 E04 529	DRAIN PAN		1	1							
	R01 E10 529	DRAIN PAN				1	1					
10	R01 E00 202	THERMISTOR	ROOM	1	1	1	1		TH21			
11	R01 E00 038	GUIDE VANE		1	1	1	1					
12	R01 E01 202	THERMISTOR	LIQUID	1	1	1	1		TH22			
13	R01 E00 401	LINEAR EXPANSION VALVE		1	1	1	1		LEV			
14	R01 E03 202	THERMISTOR	GAS	1	1	1	1		TH23			
15	R01 E01 002	VANE		1	1	1	1					
16	R01 E01 223	VANE MOTOR		1	1	1	1		MV			
17	R01 E00 110	CASING		1	1	1	1					
18	R01 31K 241	SENSOR HOLDER		1	1	1	1					
19	R01 E01 266	DRAIN SENSOR		1	1	1	1		DS			
20	T7W E02 355	DRAIN PUMP		1	1	1	1		DP			
21	R01 E00 130	MOTOR SUPPORT		1	1	1	1					
22	R01 E03 220	FAN MOTOR		1	1	1	1		MF			
23	R01 E01 105	MOTOR MOUNT		1	1	1	1					
24	R01 E00 527	DRAIN PIPE		1	1	1	1					
25	—	CONTROL BOX COVER		1	1	1	1	(RG00L311G07)				
26	R01 E01 673	SCREW ASSY		1	1	1	1					

## ELECTRICAL PARTS

PMFY-P20VBM-A

PMFY-P20VBM-A<sub>1</sub>

PMFY-P25VBM-A

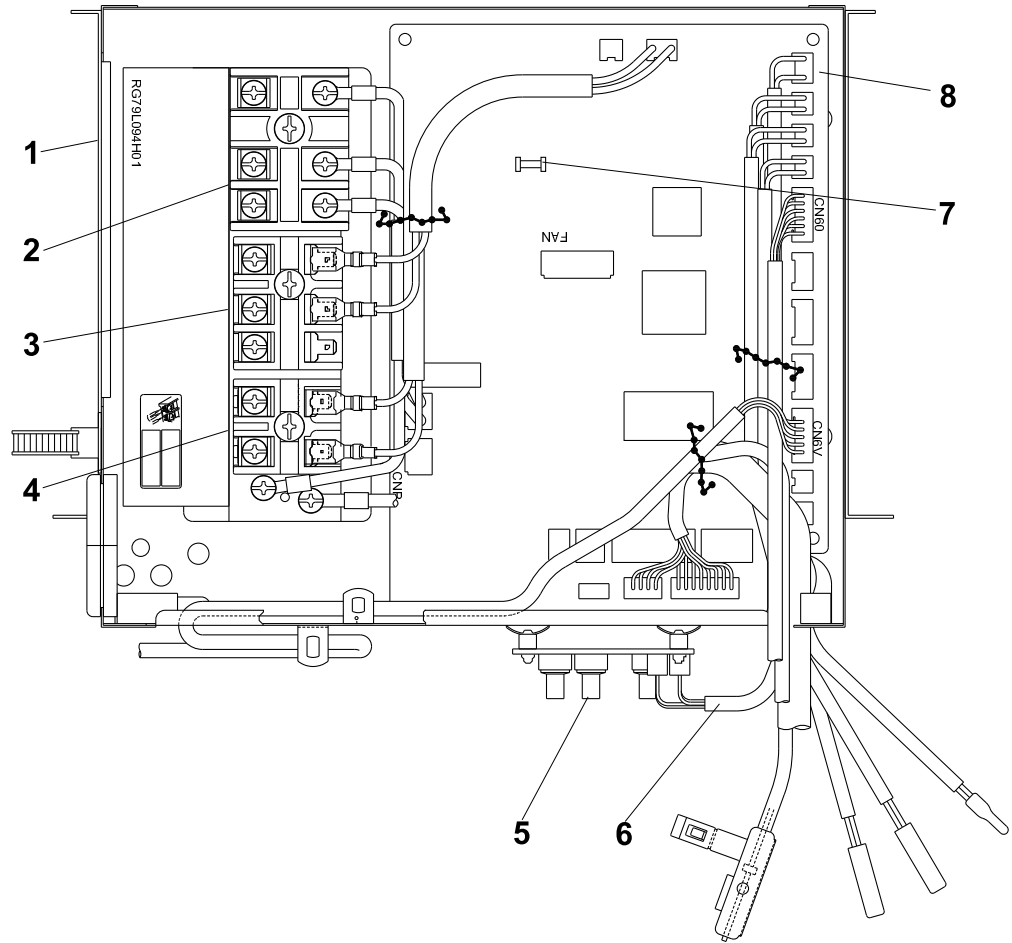
PMFY-P25VBM-A<sub>1</sub>

PMFY-P32VBM-A

PMFY-P32VBM-A<sub>1</sub>

PMFY-P40VBM-A

PMFY-P40VBM-A<sub>1</sub>



No.	Part No.	Part Name	Specification	Q'ty/set		Remarks (Drawing No.)	Wiring Diagram Symbol	Recom- mended Q'ty	Price	
				PMFY-P20/P25 P32/P40	VBM-A VBM-A <sub>1</sub>				Unit	Amount
1	—	CONTROL BOX		1	1	(RG02B337G10)				
2	T7W A14 716	TERMINAL BLOCK	3P (L,N,⊕)	1	1		TB2			
3	T7W E00 716	TERMINAL BLOCK	3P (M1,M2,S)	1	1		TB5			
4	T7W 515 716	TERMINAL BLOCK	2P (1,2)	1	1		TB15			
5	T7W B01 294	ADDRESS BOARD		1	1		A.B			
6	R01 E00 304	CABLE ASSY		1	1					
7	T7W 520 239	FUSE	250V 6.3A	1	1		FUSE			
8	T7W E11 310	INDOOR CONTROLLER BOARD	with POWER BOARD	1			I.B			
	T7W E16 310	INDOOR CONTROLLER BOARD	with POWER BOARD		1		I.B			

**MITSUBISHI ELECTRIC CORPORATION**

HEAD OFFICE : MITSUBISHI DENKI BLDG., 2-2-3, MARUNOUCHI, CHIYODA-KU, TOKYO100-8310, JAPAN