



SPLIT-TYPE, HEAT PUMP AIR CONDITIONERS

**2001**

No. OC249

**TECHNICAL & SERVICE MANUAL****Series PCFY Ceiling Suspended R407C / R22**<Indoor unit>  
[Model name]

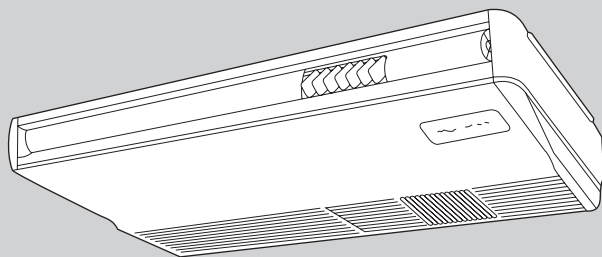
PCFY-P40VGM-A

PCFY-P63VGM-A

PCFY-P100VGM-A

PCFY-P125VGM-A

[Service Ref.]

**PCFY-P40VGM-A****PCFY-P63VGM-A****PCFY-P100VGM-A****PCFY-P125VGM-A**

INDOOR UNIT

**CONTENTS**

1. SAFETY PRECAUTION .....	2
2. PART NAMES AND FUNCTIONS .....	4
3. SPECIFICATIONS .....	6
4. OUTLINES AND DIMENSIONS .....	9
5. WIRING DIAGRAM .....	13
6. REFRIGERANT SYSTEM DIAGRAM .....	14
7. TROUBLE SHOOTING .....	15
8. DISASSEMBLY PROCEDURE .....	20
9. PARTS LIST .....	24
10. OPTIONAL PARTS .....	31

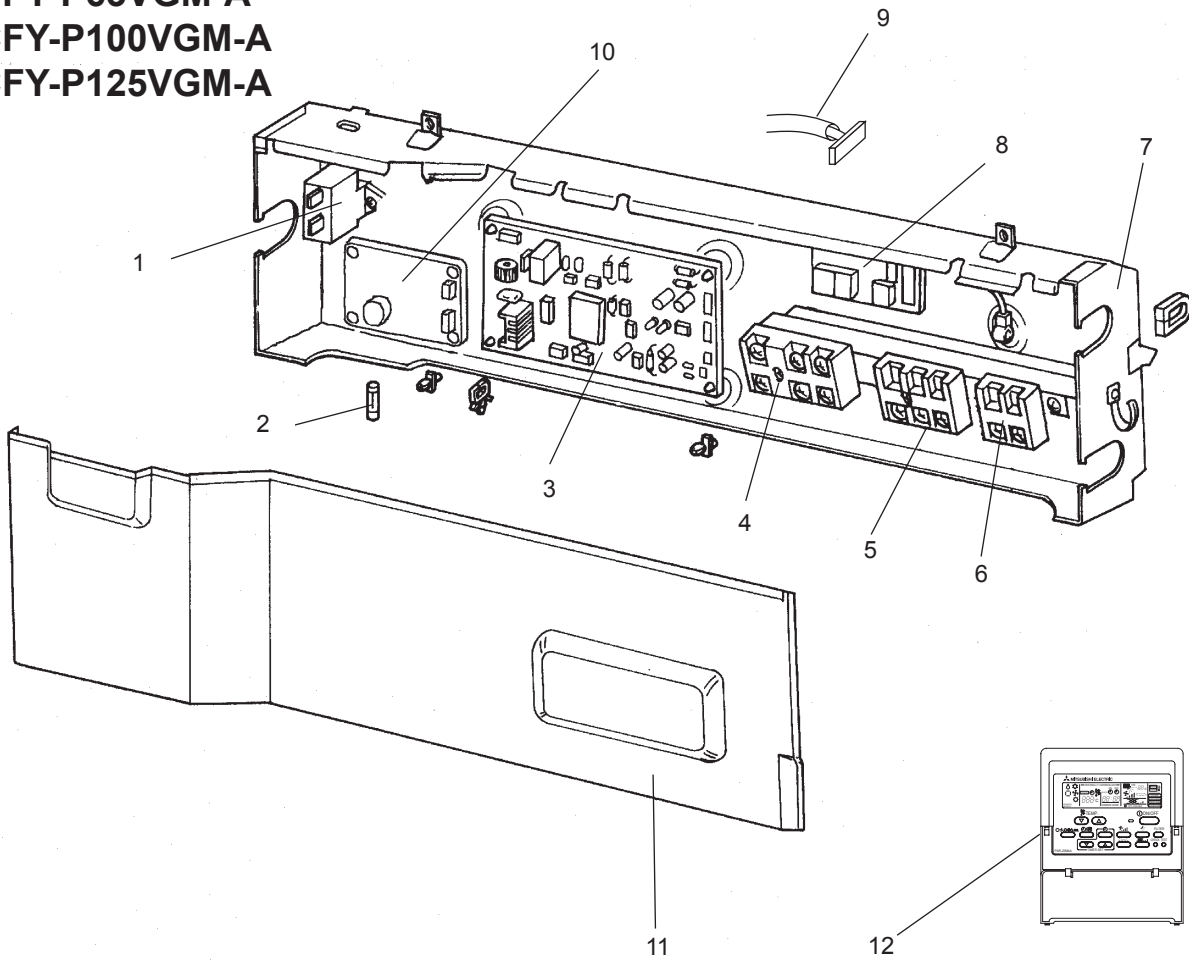
## ELECTRICAL PARTS

PCFY-P40VGM-A

PCFY-P63VGM-A

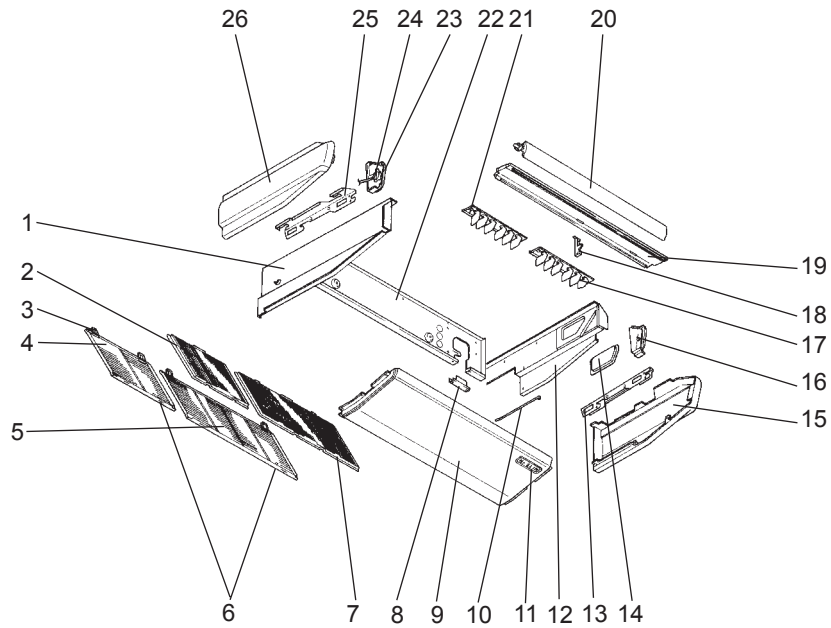
PCFY-P100VGM-A

PCFY-P125VGM-A



No.	Parts No.	Parts Name	Specifications	PCFY-				Remarks (Drawing No.)	Wiring Diagram Symbol	Recom- mended Q'ty	Price	
				P40 VGM-A	P63 VGM-A	P100 VGM-A	P125 VGM-A				Unit	Amount
1	R01 30L 255	CAPACITOR	3 $\mu$ F 440V	1					C1			
	T7W 39J 255	CAPACITOR	4 $\mu$ F 440V		1	1			C1			
	T7W A13 255	CAPACITOR	6 $\mu$ F 440V				1		C1			
2	T7W 520 239	FUSE	250V 6.3A	1	1	1	1					
3	T7W E10 310	INDOOR CONTROLLER BOARD		1	1	1	1		I.B			
4	T7W 521 716	TERMINAL BLOCK	3P(L,N,⊕)	1	1	1	1		TB2			
5	T7W E00 716	TERMINAL BLOCK	3P(M1,M2,S)	1	1	1	1		TB5			
6	T7W 515 716	TERMINAL BLOCK	2P(1,2)	1	1	1	1		TB15			
7	—	CONTROL BOX		1	1	1	1	(BG00N015G21)				
8	T7W B01 294	ADDRESS BOARD		1	1	1	1		A.B			
9	R01 05A 304	ADDRESS CABLE		1	1	1	1					
10	R01 E02 313	POWER BOARD		1	1	1	1		P.B			
11	—	BOX COVER		1				(BG02A804G20)				
	—	BOX COVER			1		1	(BG02A804G21)				
	—	BOX COVER				1		(BG02A804G22)				
12	—	REMOTE CONTROLLER	PAR-20MAA	1	1	1	1					

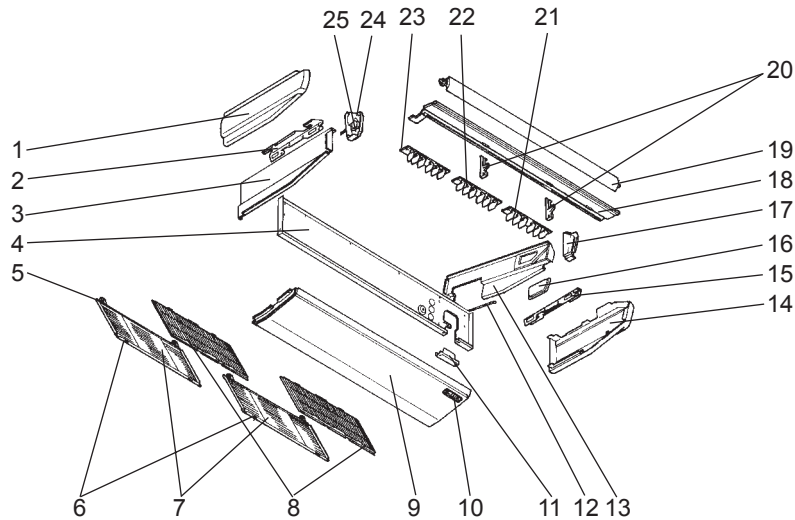
# STRUCTURAL PART PCFY-P40VGM-A



Part number that is circled is not shown in the figure.

No.	Parts No.	Parts Name	Specifications	PCFY-P40VGM-A	Remarks (Drawing No.)	Wiring Diagram Symbol	Recommended Q'ty	Price	
								Unit	Amount
1	R01 57N 666	S.PLATE-L		1					
2	R01 A15 500	L.L FILTER		1					
3	R01 17J 061	GRILLE HINGE		4					
4	R01 18J 691	GRILLE ASSY		1					
5	R01 17J 691	GRILLE ASSY		1					
6	R01 17J 054	GRILLE CATCH		4					
7	R01 A14 500	L.L FILTER		1					
8	—	REAR SUPPORT		1	(BG02H454G01)				
9	R01 17J 669	UNDER PANEL		1					
10	—	BEAM(GA)		2	(BG17H464H08)				
11	T7W E00 070	W.BOARD CASE		1					
12	T7W B06 665	S.PLATE-R		1					
13	R01 17J 808	RIGHT LEG (R)		1					
14	R01 17J 668	SERVICE PANEL		1					
15	R01 17J 661	RIGHT SIDE PANEL		1					
16	R01 17J 067	RIGHT SIDE BOX		1					
17	R01 17J 085	G.V ASSY-6R		1					
18	—	VANE SUPPORT		1	(BG02R321G07)				
19	R01 17J 651	FRONT PANEL		1					
20	R01 17J 002	AUTO VANE		1					
21	R01 18J 086	G.V ASSY-6L		1					
22	R01 17J 676	REAR PANEL		1					
23	R01 17J 068	LEFT SIDE BOX		1					
24	R01 29J 223	VANE MOTOR		1		MV			
25	R01 17J 809	LEFT LEG (L)		1					
26	R01 17J 662	LEFT SIDE PANEL		1					
27	R01 17J 523	JOINT SOCKET		1					

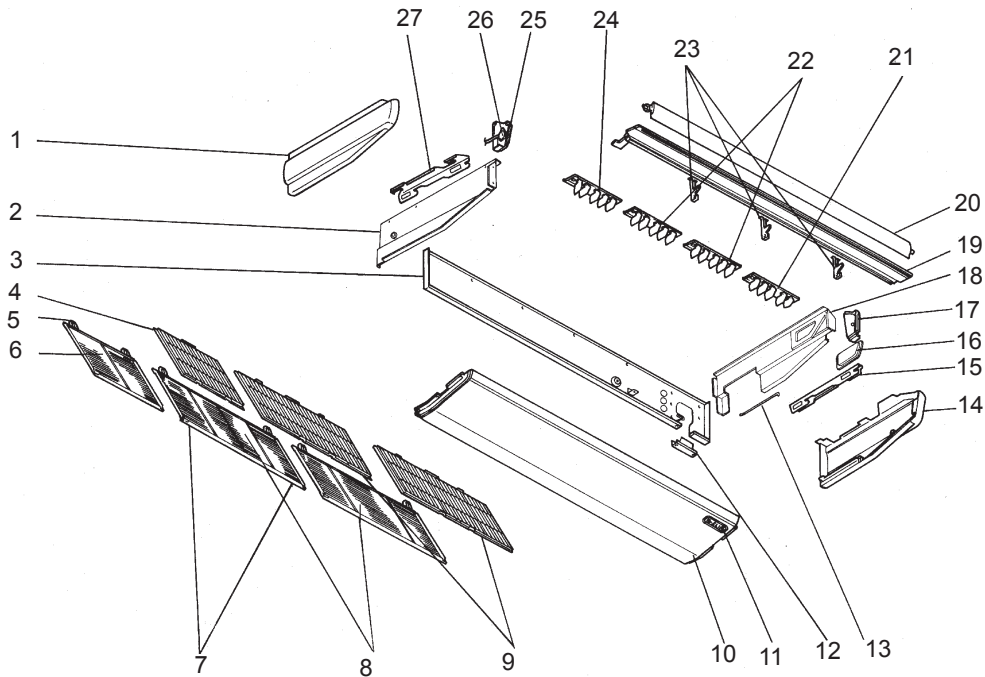
**STRUCTURAL PART**  
**PCFY-P63VGM-A**  
**PCFY-P100VGM-A**



Part number that is circled is not show in the figure.

No.	Parts No.	Parts Name	Specifications	PCFY-		Remarks (Drawing No.)	Wiring Diagram Symbol	Recom- mended Q'ty	Price	
				P63VGM-A	P100VGM-A				Unit	Amount
1	R01 17J 662	LEFT SIDE PANEL		1						
	R01 35J 662	LEFT SIDE PANEL			1					
2	R01 17J 809	LEFT LEG		1	1					
3	R01 57N 666	S.PLATE-L		1						
	R01 35J 666	S.PLATE-L			1					
4	R01 29J 676	REAR PANEL		1						
	R01 35J 676	REAR PANEL			1					
5	R01 17J 061	GRILLE HINGE		4	4					
6	R01 17J 054	GRILLE CATCH		4	4					
7	R01 17J 691	GRILLE ASSY		2	2					
8	R01 A14 500	L.L FILTER		2	2					
9	R01 29J 669	UNDER PANEL		1	1					
10	T7W E00 070	W.BOARD CASE		1	1					
11	—	REAR SUPPORT		1	1	(BG02H454G01)				
12	—	BEAM (GA)		2	2	(BG17H464H08)				
13	T7W B06 665	S.PLATE-R		1						
	T7W B07 665	S.PLATE-R			1					
14	R01 17J 661	RIGHT SIDE PANEL		1						
	R01 35J 661	RIGHT SIDE PANEL			1					
15	R01 17J 808	RIGHT LEG		1	1					
16	R01 17J 668	SERVICE PANEL		1						
	R01 18J 668	SERVICE PANEL			1					
17	R01 17J 067	RIGHT SIDE BOX		1						
	R01 35J 067	RIGHT SIDE BOX			1					
18	R01 29J 651	FRONT PANEL		1						
	R01 36J 651	FRONT PANEL			1					
19	R01 29J 002	AUTO VANE		1						
	R01 35J 002	AUTO VANE			1					
20	—	VANE SUPPORT		2		(BG02R321G07)				
	—	VANE SUPPORT			2	(BG02R805G05)				
21	R01 17J 085	G.V ASSY-6R		1						
	R01 37J 085	G.V ASSY-6R			1					
22	R01 29J 087	G.V ASSY-6C		1						
	R01 37J 087	G.V ASSY-6C			1					
23	R01 18J 086	G.V ASSY-6L		1						
	R01 37J 086	G.V ASSY-6L			1					
24	R01 17J 068	LEFT SIDE BOX		1						
	R01 35J 068	LEFT SIDE BOX			1					
25	R01 29J 223	VANE MOTOR		1			MV			
	R01 35J 223	VANE MOTOR			1		MV			
26	R01 17J 523	JOINT SOCKET		1	1					

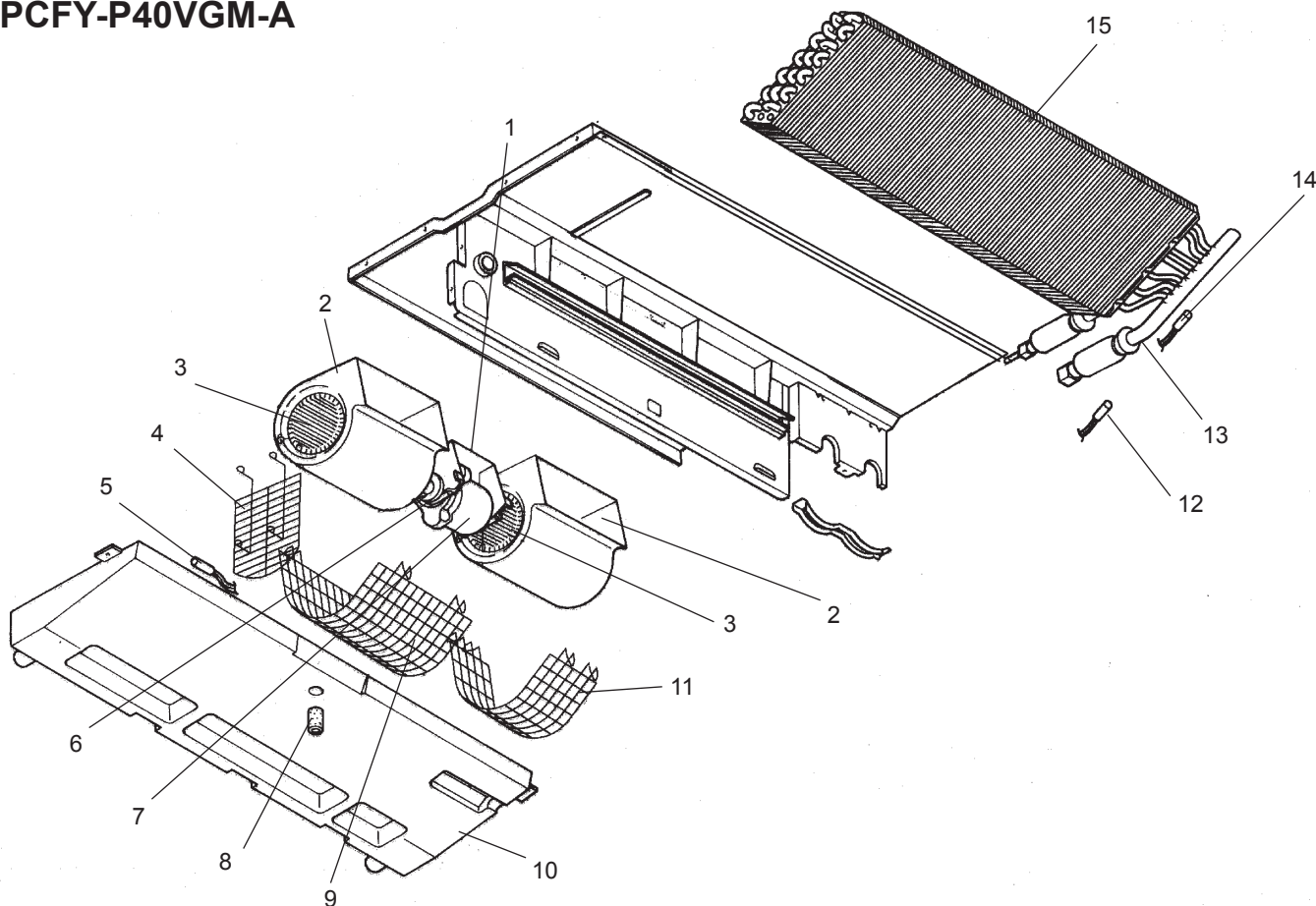
# STRUCTURAL PART PCFY-P125VGM-A



Part number that is circled is not shown in the figure.

No.	Parts No.	Parts Name	Specifications	PCFY- P125VGM-A	Remarks (Drawing No.)	Wiring Diagram Symbol	Recom- mended Q'ty	Price	
								Unit	Amount
1	R01 35J 662	LEFT SIDE PANEL		1					
2	R01 35J 666	S.PLATE-L		1					
3	R01 41J 676	REAR PANEL		1					
4	R01 A15 500	L.L FILTER		1					
5	R01 17J 061	GRILLE HINGE		6					
6	R01 18J 691	GRILLE ASSY		1					
7	R01 17J 054	GRILLE CATCH		6					
8	R01 17J 691	GRILLE ASSY		2					
9	R01 A14 500	L.L FILTER		2					
10	R01 41J 669	UNDER PANEL		1					
11	T7W E00 070	W.BOARD CASE		1					
12	—	REAR SUPPORT		1	(BG02H454G01)				
13	—	BEAM(GA)		3	(BG17H464H08)				
14	R01 35J 661	RIGHT SIDE PANEL		1					
15	R01 17J 808	RIGHT LEG		1					
16	R01 18J 668	SERVICE PANEL		1					
17	R01 35J 067	RIGHT SIDE BOX		1					
18	T7W B07 665	S.PLATE-R		1					
19	R01 41J 651	FRONT PANEL		1					
20	R01 41J 002	AUTO VANE		1					
21	R01 41J 085	G.V ASSY-5R		1					
22	R01 43J 087	G.V ASSY-5C		2					
23	—	VANE SUPPORT		3	(BG02R805G05)				
24	R01 42J 086	G.V ASSY-5L		1					
25	R01 35J 068	LEFT SIDE BOX		1					
26	R01 35J 223	VANE MOTOR		1		MV			
27	R01 17J 809	LEFT LEG		1					
28	R01 17J 523	JOINT SOCKET		1					

## FAN AND HEATER PARTS PCFY-P40VGM-A



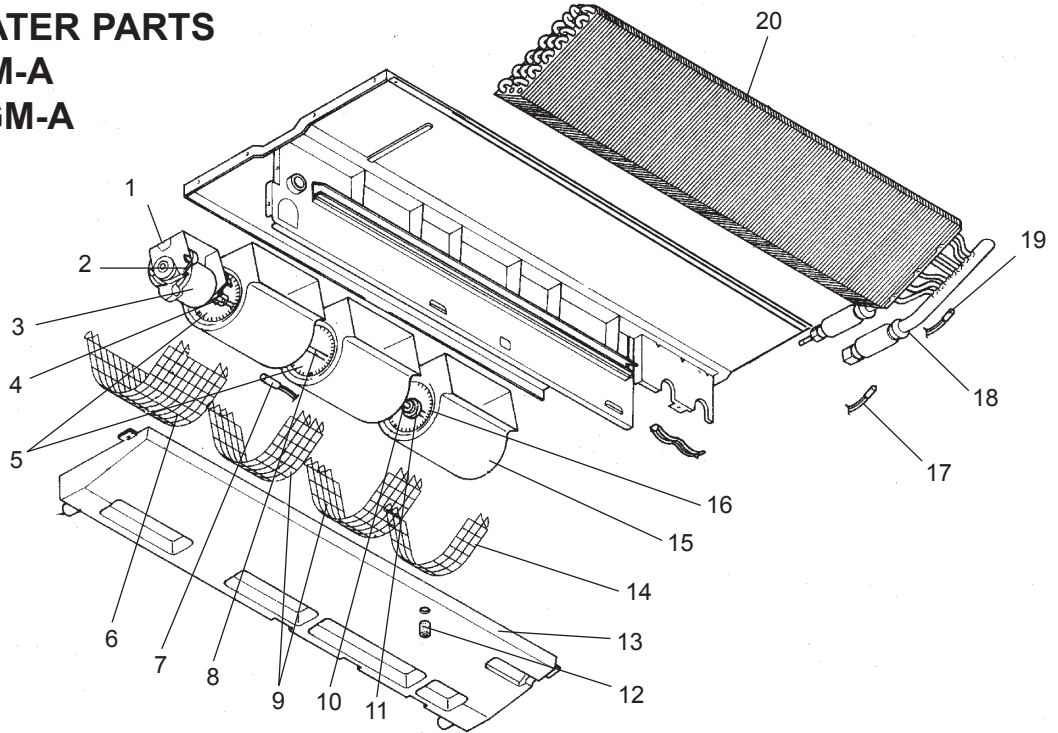
Part number that is circled is not shown in the figure.

No.	Parts No.	Parts Name	Specifications	PCFY-P40VGM-A	Remarks (Drawing No.)	Wiring Diagram Symbol	Recommended Q'ty	Price	
								Unit	Amount
1	R01 17J 130	MOTOR LEG		1					
2	T7W B06 110	CASING		2					
3	R01 17J 114	SIROCCO FAN		2					
4	T7W 19J 675	FAN GUARD		1					
5	R01 E26 202	ROOM TEMPERATURE THERMISTOR		1		TH21			
6	R01 43E 126	PIECE (MOTOR)	2pcs/set	1					
7	T7W 23J 762	FAN MOTOR	D09B4P54MS	1		MF			
8	R01 17J 524	DRAIN PLUG		1					
9	T7W 17J 675	FAN GUARD		1					
10	R01 17J 529	DRAIN PAN ASSY		1					
11	T7W 18J 675	FAN GUARD		1					
12	R01 E27 202	LIQUID PIPE TEMPERATURE THERMISTOR		1		TH22			
13	R01 P21 401	LINEAR EXPANSION VALVE		1		LEV			
14	R01 17J 202	GAS PIPE TEMPERATURE THERMISTOR		1		TH23			
15	R01 77W 480	HEAT EXCHANGER		1					
16	T7W E00 072	DRAIN HOSE COVER		1					

# FAN AND HEATER PARTS

## PCFY-P63VGM-A

## PCFY-P100VGM-A

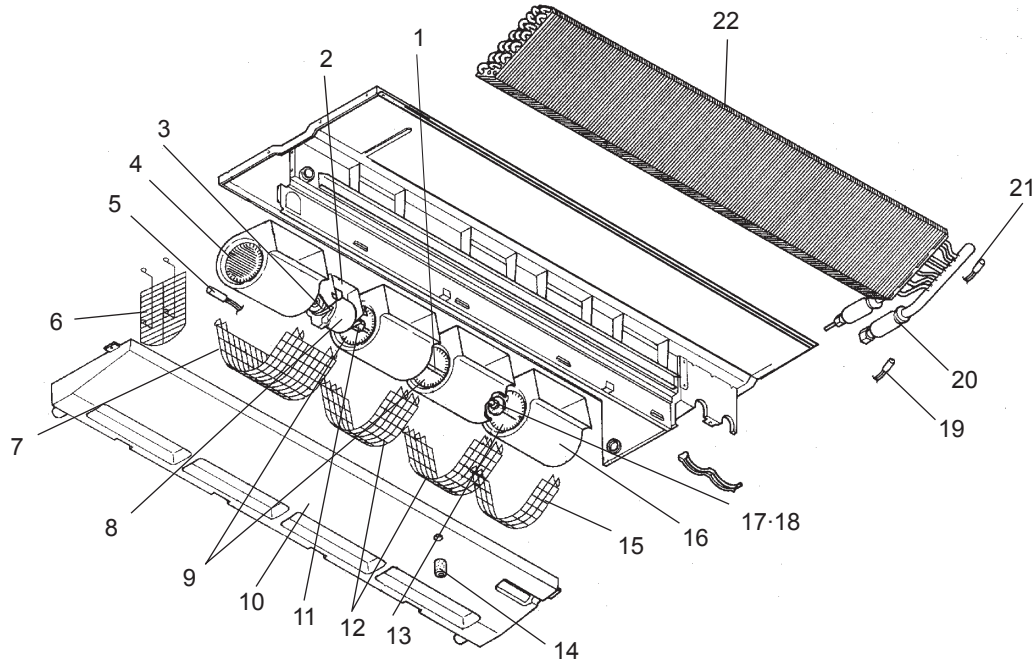


Part number that is circled is not shown in the figure.

No.	Parts No.	Parts Name	Specifications	PCFY-		Remarks (Drawing No.)	Wiring Diagram Symbol	Recom- mended Q'ty	Price	
				P63VGM-A	P100VGM-A				Unit	Amount
1	R01 29J 130	MOTOR LEG		1						
	R01 35J 130	MOTOR LEG			1					
2	R01 43E 126	PIECE(MOTOR)	2pcs/set	1	1					
3	T7W 30J 762	FAN MOTOR	D09C4P70MS	1			MF			
	T7W 39J 762	FAN MOTOR	D10B4P90MS		1		MF			
4	R01 700 116	FAN JOINT		1	1					
5	R01 29J 114	SIROCCO FAN		2						
	R01 35J 114	SIROCCO FAN			2					
6	T7W 20J 675	FAN GUARD		1						
	T7W 22J 675	FAN GUARD			1					
7	R01 E26 202	ROOM TEMPERATURE THERMISTOR		1	1		TH21			
8	R01 29J 100	SHAFT		1	1					
9	T7W 21J 675	FAN GUARD		2						
	T7W 23J 675	FAN GUARD			2					
10	R01 705 103	SLEEVE BEARING		1	1					
11	R01 29J 145	BEARING SUPPORT		1						
	R01 35J 145	BEARING SUPPORT			1					
12	R01 17J 524	DRAIN PLUG		1	1					
13	R01 A15 529	DRAIN PAN ASSY		1						
	R01 A16 529	DRAIN PAN ASSY			1					
14	T7W 18J 675	FAN GUARD		1						
	T7W 24J 675	FAN GUARD			1					
15	T7W B06 110	CASING		3						
	T7W B07 110	CASING			3					
16	R01 33J 114	SIROCCO FAN		1						
	R01 39J 114	SIROCCO FAN			1					
17	R01 E27 202	LIQUID PIPE TEMPERATURE THERMISTOR		1	1		TH22			
18	R01 P21 401	LINEAR EXPANSION VALVE		1			LEV			
	R01 P25 401	LINEAR EXPANSION VALVE			1		LEV			
19	R01 17J 202	GAS PIPE TEMPERATURE THERMISTOR		1	1		TH23			
20	R01 81W 480	HEAT EXCHANGER		1						
	R01 87W 480	HEAT EXCHANGER			1					
(21)	T7W E00 072	DRAIN HOSE COVER		1	1					



## FAN AND HEATER PARTS PCFY-P125VGM-A



Part number that is circled is not shown in the figure.

No.	Parts No.	Parts Name	Specifications	PCFY- P125VGM-A	Remarks (Drawing No.)	Wiring Diagram Symbol	Recom- mended Q'ty	Price	
								Unit	Amount
1	R01 29J 100	SHAFT		1					
2	R01 41J 130	MOTOR LEG		1					
3	R01 43E 126	PIECE (MOTOR)	2pcs/set	1					
4	R01 41J 114	SIROCCO FAN		1					
5	R01 E26 202	ROOM TEMPERATURE THERMISTOR		1		TH21			
6	T7W 26J 675	FAN GUARD		1					
7	T7W 25J 675	FAN GUARD		1					
8	T7W 43J 762	FAN MOTOR	D10B4P150MS	1		MF			
9	R01 35J 114	SIROCCO FAN		2					
10	R01 A17 529	DRAIN PAN ASSY		1					
11	R01 700 116	FAN JOINT		1					
12	T7W 23J 675	FAN GUARD		2					
13	R01 39J 114	SIROCCO FAN		1					
14	R01 17J 524	DRAIN PLUG		1					
15	T7W 24J 675	FAN GUARD		1					
16	T7W B07 110	CASING		4					
17	R01 705 103	SLEEVE BEARING		1					
18	R01 35J 145	BEARING SUPPORT		1					
19	R01 E27 202	LIQUID PIPE TEMPERATURE THERMISTOR		1		TH22			
20	R01 P25 401	LINEAR EXPANSION VALVE		1		LEV			
21	R01 17J 202	GAS PIPE TEMPERATURE THERMISTOR		1		TH23			
22	R01 89W 480	HEAT EXCHANGER		1					
23	T7W E00 072	DRAIN HOSE COVER		1					



**10****OPTIONAL PARTS****10-1. DRAIN-UP MACHINE**

Part No.	PAC-SE84DMA-E	PAC-SE85DMA-E	PAC-SE86DMA-E
Applied Service Ref.	PCFY-P40VGM-A	PCFY-P63VGM-A	PCFY-P100VGM-A PCFY-P125VGM-A

**10-2. HIGH EFFICIENCY FILTER**

Part No.	PAC-SE80KF-E	PAC-SE81KF-E	PAC-SE82KF-E
Applied Service Ref.	PCFY-P40VGM-A	PCFY-P63VGM-A PCFY-P100VGM-A	PCFY-P125VGM-A



HEAD OFFICE : MITSUBISHI DENKI BLDG., 2-2-3, MARUNOUCHI, CHIYODA-KU, TOKYO100-8310, JAPAN

---