

TECHNICAL & SERVICE MANUAL

Series PKFY Wall Mounted R407C / R22

<Indoor unit>
[Model names]
PKFY-P32VGM-A

PKFY-P40VGM-A

PKFY-P50VGM-A

[Service Ref.]

PKFY-P32VGM-A

PKFY-P40VGM-A

PKFY-P50VGM-A

Revision:

- The indicated No. of CORNER COVER (page 19) in the illustration has been corrected in REVISED EDITION-A.
- Some descriptions have been modified.

- Please void OC250.

Note:

- RoHS compliant products have <G> mark on the spec name plate.
- For servicing of RoHS compliant products, refer to the RoHS Parts List.



Indoor unit

CONTENTS

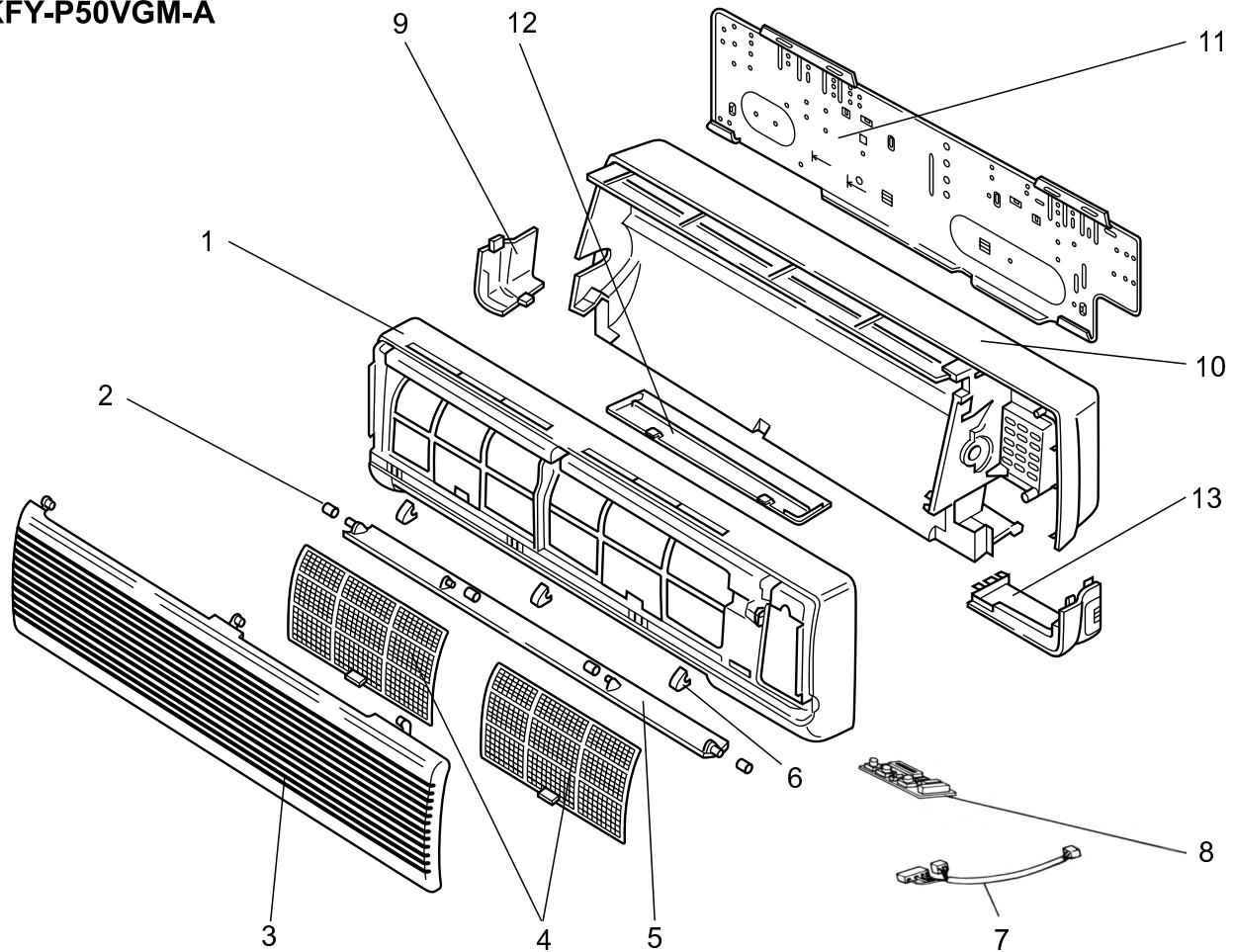
1. SAFETY PRECAUTION	2
2. PART NAMES AND FUNCTIONS	4
3. SPECIFICATIONS	6
4. OUTLINES AND DIMENSIONS	8
5. WIRING DIAGRAM.....	9
6. REFRIGERANT SYSTEM DIAGRAM	10
7. TROUBLE SHOOTING.....	11
8. DISASSEMBLY PROCEDURE.....	16
9. RoHS PARTS LIST.....	19

STRUCTURAL PARTS

PKFY-P32VGM-A

PKFY-P40VGM-A

PKFY-P50VGM-A



No.	RoHS	Parts No.	Parts Name	Specifications	PKFY-P32VGM-A PKFY-P40VGM-A PKFY-P50VGM-A	Remarks (Drawing No.)	Wiring Diagram Symbol	Recom- mended Q'ty
1	G	R01 89Y 651	FRONT PANEL		1			
2	G	R01 08Y 092	VANE SLEEVE		1			
3	G	R01 08Y 691	FRONT GRILLE		1			
4	G	R01 A32 500	AIR FILTER		2			
5	G	R01 08Y 002	AUTO VANE		1			
6	G	R01 08Y 096	SCREW CAP		3			
7	G	R01 A00 304	ADDRESS CABLE		1			
8	G	T7W E01 294	ADDRESS BOARD		1		A.B	
9	G	R01 08Y 658	CORNER COVER -L		1			
10	G	R01 08Y 635	BOX ASSEMBLY		1			
11	G	R01 08Y 808	BACK PLATE		1			
12	G	R01 08Y 623	UNDER COVER		1			
13	G	R01 10Y 658	CORNER COVER -R		1			

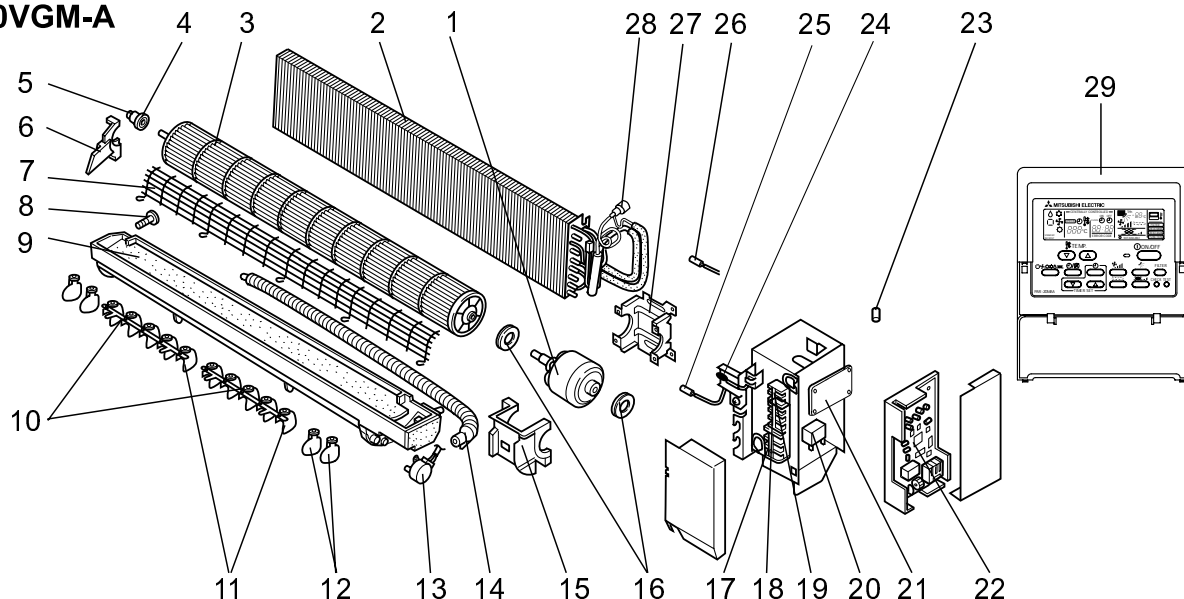
PoHS PARTS LIST

ELECTRICAL PARTS

PKFY-P32VGM-A

PKFY-P40VGM-A

PKFY-P50VGM-A



No.	RoHS	Parts No.	Parts Name	Specifications	PKFY-			Remarks (Drawing No.)	Wiring Diagram Symbol	Recom- mended Q'ty
					P32VGM-A	P40VGM-A	P50VGM-A			
1	G	T7W A02 762	FAN MOTOR		1	1	1	MF		
2	G	R01 J53 480	HEAT EXCHANGER		1					
		R01 E26 480	HEAT EXCHANGER			1				
		R01 E27 480	HEAT EXCHANGER				1			
3	G	R01 E22 114	LINE FLOW FAN		1	1	1			
4	G	R01 E04 103	SLEEVE BEARING		1	1	1			
5	G	R01 08Y 102	BEARING MOUNT		1	1	1			
6	G	R01 08Y 106	BEARING SUPPORT		1	1	1			
7	G	T7W A01 675	FAN GUARD		1	1	1			
8	G	R01 07Y 524	DRAIN PLUG		1	1	1			
9	G	R01 08Y 530	NOZZLE ASSY		1	1	1			
10	G	R01 08Y 059	ARM		2	2	2			
11	G	R01 08Y 038	GUIDE VANE		10	10	10			
12	G	R01 10Y 038	GUIDE VANE		4	4	4			
13	G	R01 E13 223	VANE MOTOR		1	1	1	MV		
14	G	R01 08Y 527	DRAIN HOSE		1	1	1			
15	G	R01 08Y 135	MOTOR COVER		1	1	1			
16	G	R01 08Y 105	RUBBER MOUNT		2	2	2			
17	G	T7W E32 716	TERMINAL BLOCK	3P(L, N, ⊕)	1	1	1	TB2		
18	G	T7W E35 716	TERMINAL BLOCK	3P(M1, M2, S)	1	1	1	TB5		
19	G	R01 E21 246	TERMINAL BLOCK	2P(1,2)	1	1	1	TB15		
20	G	R01 E13 255	RUN CAPACITOR	2.0μF 440V	1	1	1	C1		
21	G	R01 E38 313	POWER BOARD		1	1	1	P.B		
22	G	T7W E53 310	CONTROLLER BOARD		1	1	1	I.B		
23	G	R01 E06 239	FUSE	250V 6.3A	1	1	1	FUSE		
24	G	R01 H08 202	ROOM THERMISTOR		1	1	1	TH21		
25	G	R01 H13 202	LIQUID PIPE THERMISTOR		1	1	1	TH22		
26	G	R01 H17 202	GAS PIPE THERMISTOR		1	1	1	TH23		
27	G	R01 08Y 130	MOTOR SUPPORT		1	1	1			
28	G	R01 H11 401	LINEAR EXPANSION VALVE		1	1	1	LEV		
29	G	—	REMOTE CONTROLLER	PAR-20MAA	1	1	1			

MITSUBISHI ELECTRIC CORPORATION

HEAD OFFICE : TOKYO BLDG., 2-7-3, MARUNOUCHI, CHIYODA-KU TOKYO 100-8310, JAPAN