

SERVICE PARTS LIST FOR MITSUBISHI ELECTRIC PACKAGED AIR-CONDITIONERS

**Series PUHY-P-YMF-B(-BS,-BF)
PUHY-P-YMF-C(-BS,-BF)**
For use with the R407C

**REVISED
Jul. 2003**

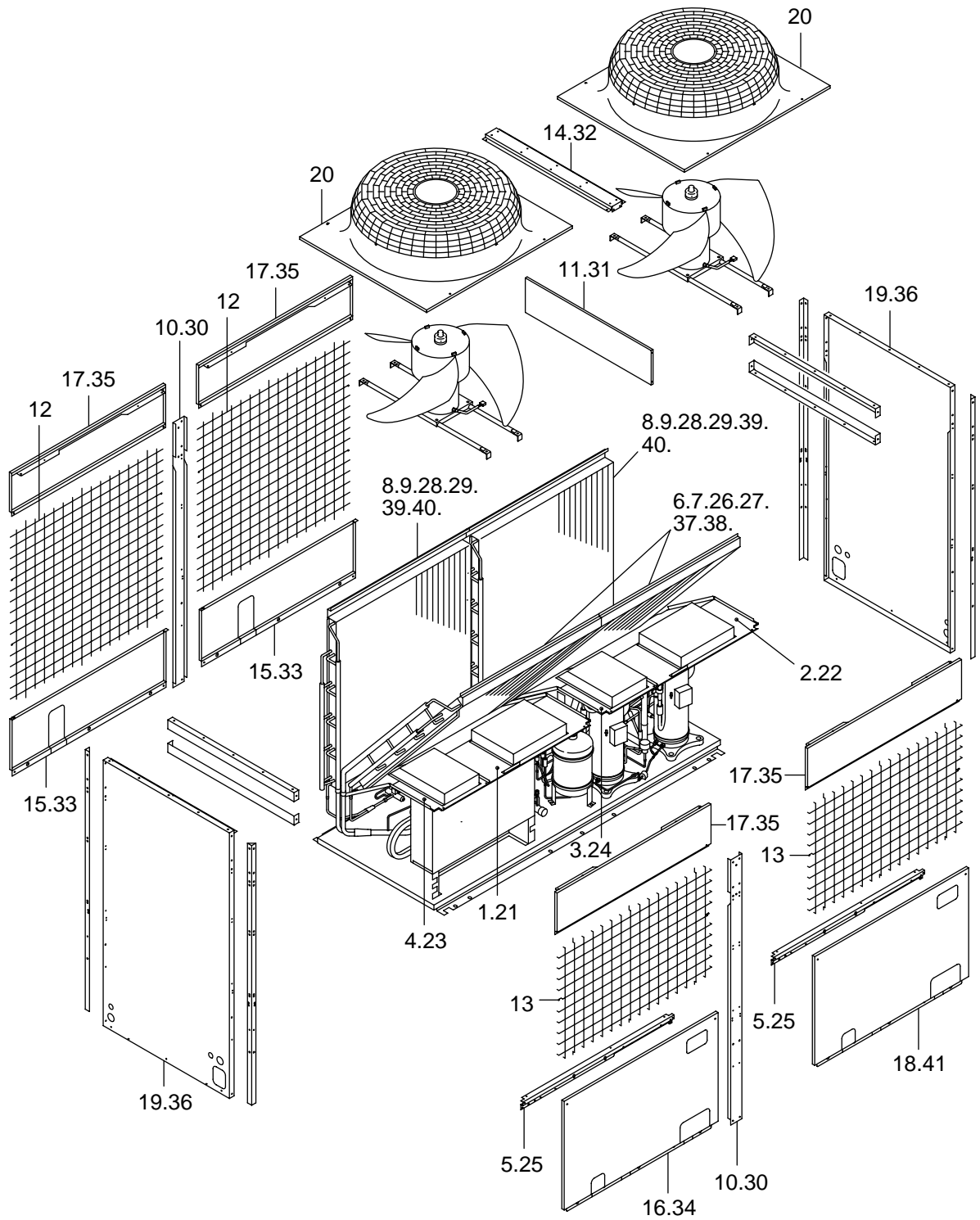
INDEX

**PUHY-P400YMF-B
PUHY-P500YMF-B
PUHY-P400YMF-B-BS
PUHY-P500YMF-B-BS
PUHY-P400YMF-B-BF
PUHY-P500YMF-B-BF
PUHY-P400YMF-C
PUHY-P500YMF-C
PUHY-P400YMF-C-BS
PUHY-P500YMF-C-BS
PUHY-P400YMF-C-BF
PUHY-P500YMF-C-BF**



PUHY-P400YMF-B(-BS,-BF)
PUHY-P500YMF-B(-BS,-BF)

EXTERNAL PARTS



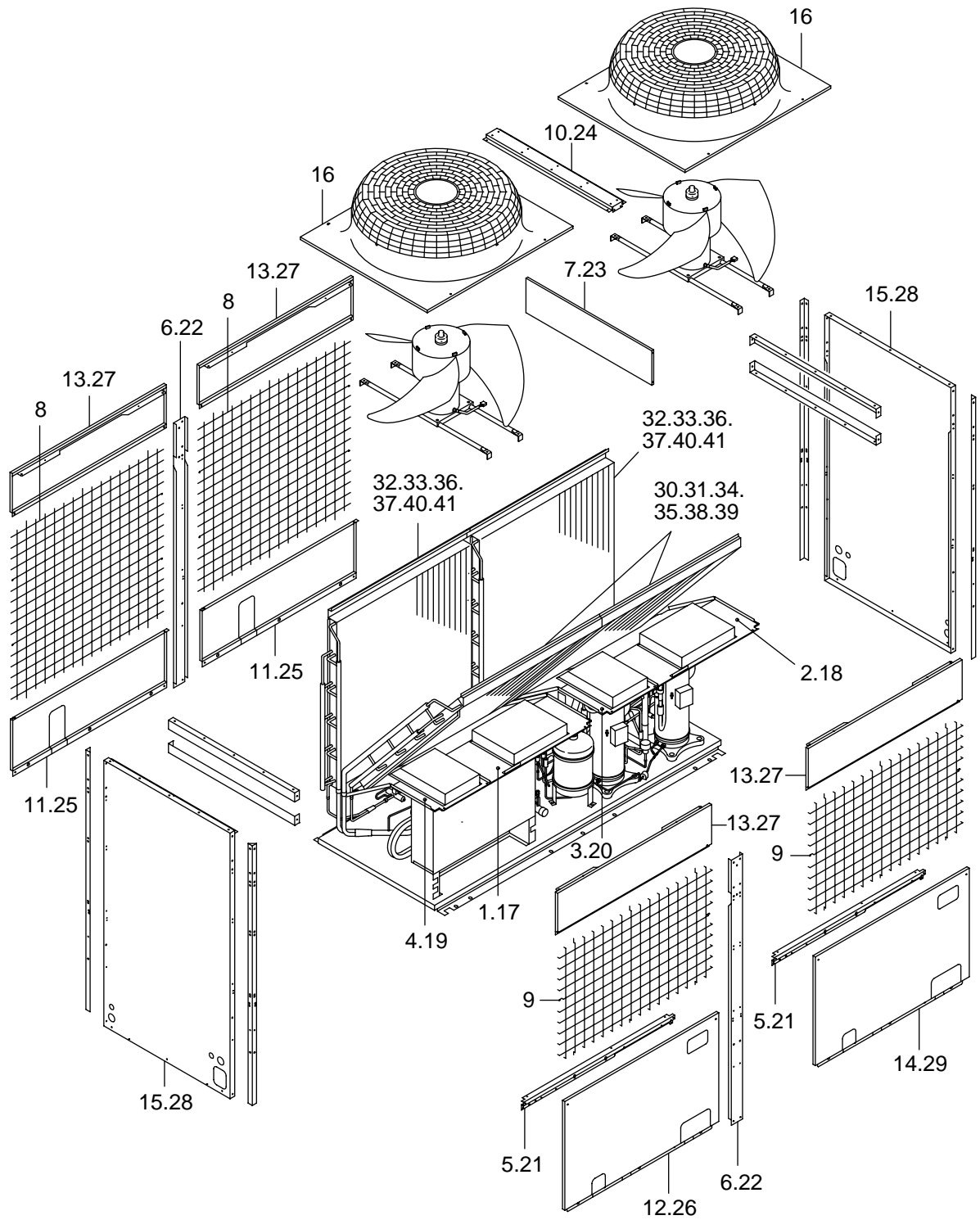
PUHY-P400YMF-B(-BS,-BF)
 PUHY-P500YMF-B(-BS,-BF)

EXTERNAL PARTS

No.	Part No.	Part Name	Spec.	-P400YMF-B	-P500YMF-B	-P400YMF-B-BS	-P500YMF-B-BS	-P400YMF-B-BF	-P500YMF-B-BF	Dwg. No.	Price
1	R61 E66 667	Partition board R ass'y	(L)	1	1			1	1	W624525G15	
2	R61 E66 668	Partition board R ass'y	(R)	1	1			1	1	W624525G16	
3	R61 E66 657	Partition board L ass'y	(R)	1	1			1	1	W624526G22	
4	R61 E66 658	Partition board L ass'y	(L)	1	1			1	1	W624526G20	
5	R61 A42 659	Front panel		2	2			2	2	W615888H18	
6	R61 H13 409	Heat exchanger ass'y F	P400YMF-B	2						W125262G14	
7	R61 K08 409	Heat exchanger ass'y F	P500YMF-B		2					W125264G16	
8	R61 H13 481	Heat exchanger ass'y B	P400YMF-B	2						W125263G12	
9	R61 K08 481	Heat exchanger ass'y B	P500YMF-B		2					W125265G16	
10	R61 E66 627	Stay M		2	2			2	2	W623717G07	
11	R61 E66 674	Reinforcement M		1	1			1	1	W861182H01	
12	R61 A42 638	Guard B ass'y		2	2	2	2	2	2	W265789G01	
13	R61 E66 611	Guard F ass'y		2	2	2	2	2	2	W265788G01	
14	R61 E66 125	Beam M		1	1			1	1	W623718G01	
15	R61 M43 677	Panel B ass'y		2	2			2	2	W857426G21	
16	R61 Y15 652	Panel F		1	1			1	1	W623719H09	
17	R61 L78 653	Panel FU		4	4			4	4	W633746H06	
18	R61 M54 652	Panel F ass'y		1	1			1	1	W862323G07	
19	R61 N78 661	Panel S		2	2			2	2	W272421H01	
20	R61 A52 118	Fan guard	With the Drum	2	2	2	2	2	2	W123195G01	
21	R61 E67 667	Partition board R ass'y	(L)			1	1			W624525G11	
22	R61 E67 668	Partition board R ass'y	(R)			1	1			W624525G14	
23	R61 E67 658	Partition board L ass'y	(L)			1	1			W624526G14	
24	R61 E67 657	Partition board L ass'y	(R)			1	1			W624526G19	
25	R61 A43 659	Front panel				2	2			W615888G09	
26	R61 H15 409	Heat exchanger ass'y F	P400YMF-B-BS			2				W125262G16	
27	R61 H16 409	Heat exchanger ass'y F	P500YMF-B-BS				2			W125264G19	
28	R61 H15 481	Heat exchanger ass'y B	P400YMF-B-BS			2				W125263G14	
29	R61 H16 481	Heat exchanger ass'y B	P500YMF-B-BS				2			W125265G19	
30	R61 E67 627	Stay M				2	2			W623717G08	
31	R61 E68 674	Reinforcement M				1	1			W861182G02	
32	R61 E67 125	Beam M				1	1			W623718G03	
33	R61 M44 677	Panel B ass'y				2	2			W857426G28	
34	R61 Y19 652	Panel F				1	1			W623719G12	
35	R61 N78 653	Panel FU				4	4			W633746G06	
36	R61 N78 662	Panel S				2	2			W272421G02	
37	R61 Y21 481	Heat exchanger ass'y F	P400YMF-B-BF					2		W125262G18	
38	R61 Y33 481	Heat exchanger ass'y F	P500YMF-B-BF						2	W125264G22	
39	R61 Y29 481	Heat exchanger ass'y B	P400YMF-B-BF					2		W125263G16	
40	R61 Y30 481	Heat exchanger ass'y B	P500YMF-B-BF						2	W125265G22	
41	R61 M55 652	Panel F ass'y				1	1			W862323G09	

PUHY-P400YMF-C(-BS,-BF)
PUHY-P500YMF-C(-BS,-BF)

EXTERNAL PARTS



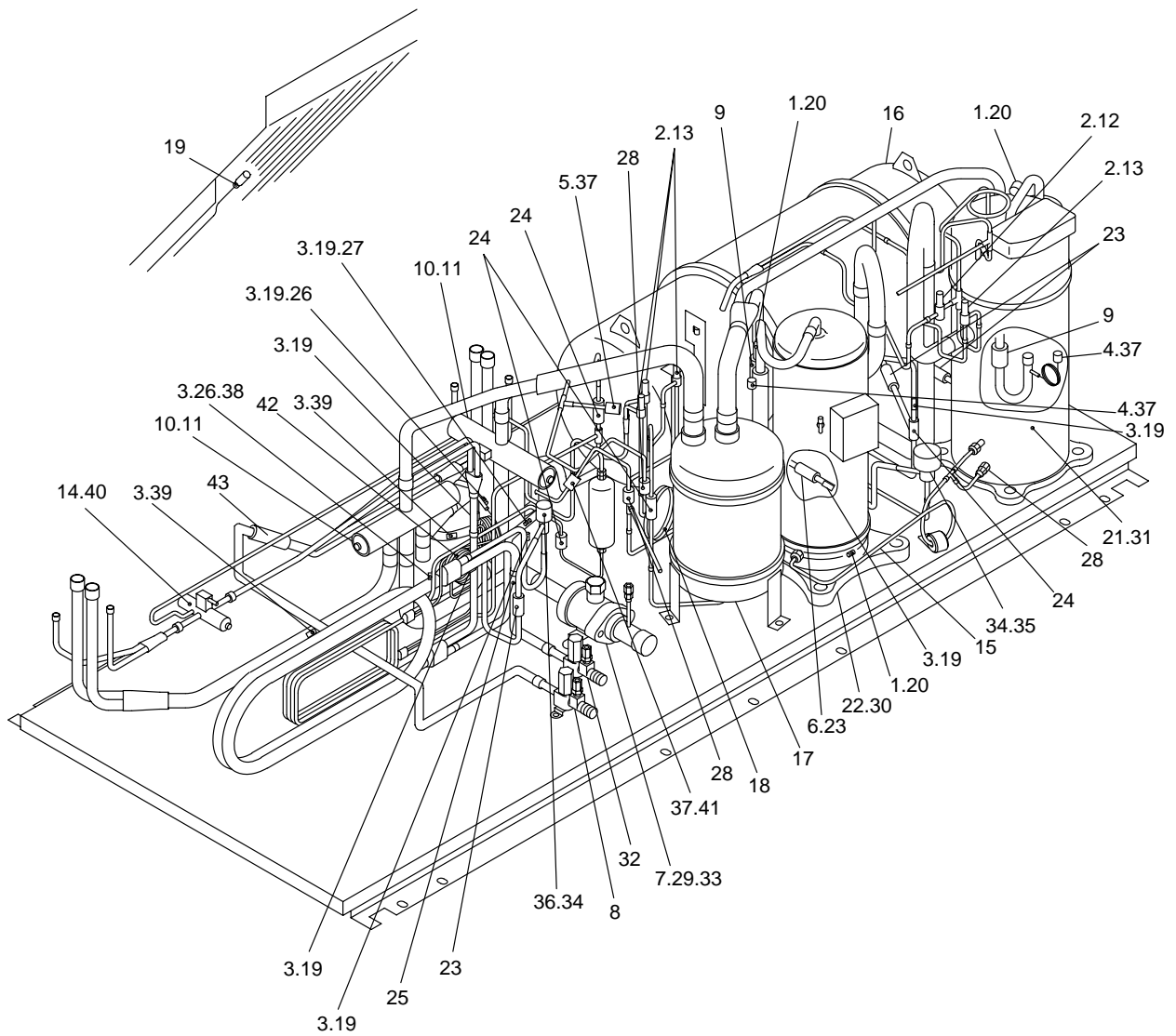
PUHY-P400YMF-C(-BS,-BF)
 PUHY-P500YMF-C(-BS,-BF)

EXTERNAL PARTS

No.	Part No.	Part Name	Spec.	-P400YMF-C	-P500YMF-C	-P400YMF-C-BS	-P500YMF-C-BS	-P400YMF-C-BF	-P500YMF-C-BF	Dwg. No.	Price
1	R61 E66 667	Partition board R ass'y	(L)	1	1			1	1	W624525G15	
2	R61 E66 668	Partition board R ass'y	(R)	1	1			1	1	W624525G16	
3	R61 E66 657	Partition board L ass'y	(R)	1	1			1	1	W624526G22	
4	R61 E66 658	Partition board L ass'y	(L)	1	1			1	1	W624526G20	
5	R61 A42 659	Front panel		2	2			2	2	W615888H18	
6	R61 E66 627	Stay M		2	2			2	2	W623717G07	
7	R61 E66 674	Reinforcement M		1	1			1	1	W861182H01	
8	R61 A42 638	Guard B ass'y		2	2	2	2	2	2	W265789G01	
9	R61 E66 611	Guard F ass'y		2	2	2	2	2	2	W265788G01	
10	R61 E66 125	Beam M		1	1			1	1	W623718G01	
11	R61 M43 677	Panel B ass'y		2	2			2	2	W857426G21	
12	R61 Y15 652	Panel F		1	1			1	1	W623719H09	
13	R61 L78 653	Panel FU		4	4			4	4	W633746H06	
14	R61 M54 652	Panel F ass'y		1	1			1	1	W862323G07	
15	R61 N78 661	Panel S		2	2			2	2	W272421H01	
16	R61 A52 118	Fan guard	With the Drum	2	2	2	2	2	2	W123195G01	
17	R61 E67 667	Partition board R ass'y	(L)			1	1			W624525G11	
18	R61 E67 668	Partition board R ass'y	(R)			1	1			W624525G14	
19	R61 E67 658	Partition board L ass'y	(L)			1	1			W624526G14	
20	R61 E67 657	Partition board L ass'y	(R)			1	1			W624526G19	
21	R61 A43 659	Front panel				2	2			W615888G09	
22	R61 E67 627	Stay M				2	2			W623717G08	
23	R61 E68 674	Reinforcement M				1	1			W861182G02	
24	R61 E67 125	Beam M				1	1			W623718G03	
25	R61 M44 677	Panel B ass'y				2	2			W857426G28	
26	R61 Y19 652	Panel F				1	1			W623719G12	
27	R61 N78 653	Panel FU				4	4			W633746G06	
28	R61 N78 662	Panel S				2	2			W272421G02	
29	R61 M55 652	Panel F ass'y				1	1			W862323G09	
30	R61 N20 481	Heat exchanger ass'y F	P400YMF-C	2						W125262G19	
31	R61 L02 481	Heat exchanger ass'y F	P500YMF-C		2					W268980G11	
32	R61 N22 480	Heat exchanger ass'y B	P400YMF-C	2						W125263G17	
33	R61 L02 480	Heat exchanger ass'y B	P500YMF-C		2					W126026G23	
34	R61 N21 481	Heat exchanger ass'y F	P400YMF-C-BS			2				W125262G20	
35	R61 L03 481	Heat exchanger ass'y F	P500YMF-C-BS				2			W268980G12	
36	R61 N23 480	Heat exchanger ass'y B	P400YMF-C-BS			2				W125263G18	
37	R61 L03 480	Heat exchanger ass'y B	P500YMF-C-BS				2			W126026G24	
38	R61 Y61 481	Heat exchanger ass'y F	P400YMF-C-BF					2		W125262G21	
39	R61 Y22 481	Heat exchanger ass'y F	P500YMF-C-BF						2	W268980G13	
40	R61 Y60 481	Heat exchanger ass'y B	P400YMF-C-BF					2		W125263G19	
41	R61 Y19 481	Heat exchanger ass'y B	P500YMF-C-BF						2	W126026G26	

PUHY-P400YMF-B(-BS,-BF)
PUHY-P500YMF-B(-BS,-BF)

FUNCTIONAL PARTS



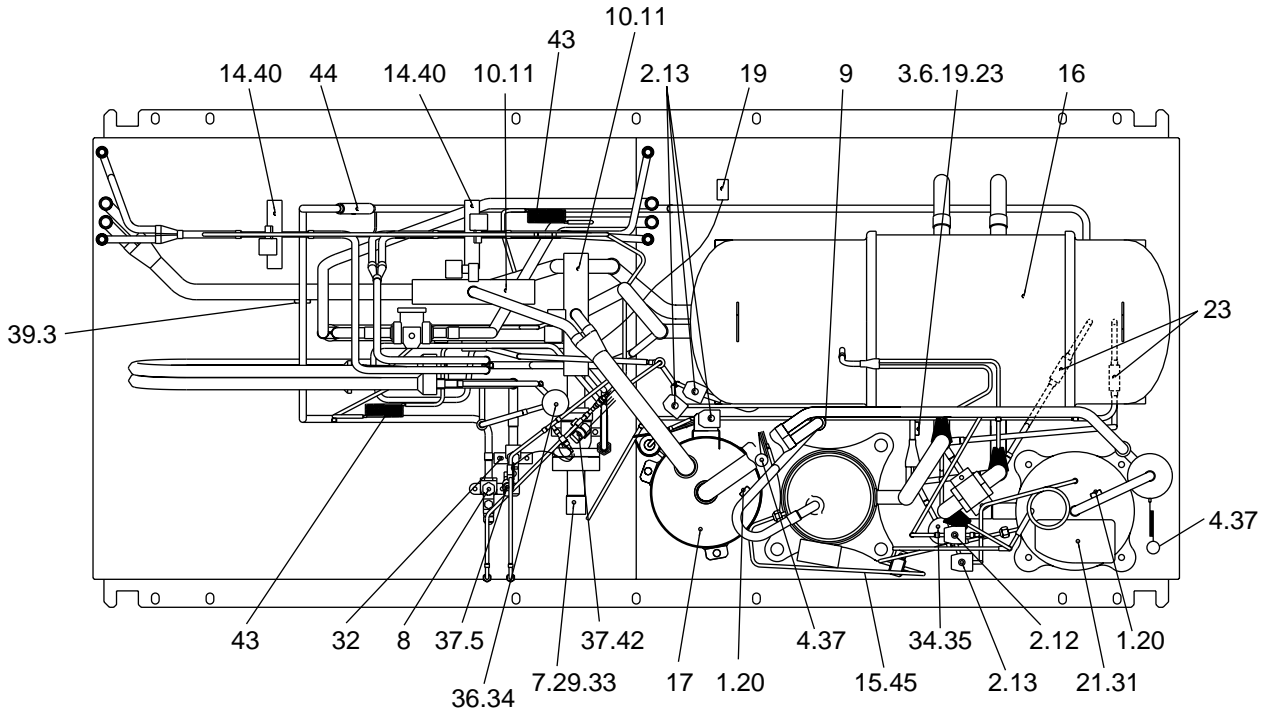
No.	Part No.	Part Name	Spec.	-P400YMF-B	-P500YMF-B	-P400YMF-B-BS	-P500YMF-B-BS	-P400YMF-B-BF	-P500YMF-B-BF	Dwg. No.	Price
1	R11 347 865	L.TH spring		3	3	3	3	3	3	U38D120H03	
2	R61 Y04 243	Solenoid valve coil	(NEV) <SV1,2,3,4,6>	5	5	5	5	5	5	P631205X01	
3	R13 658 276	TH spring		10	10	10	10	10	10	C38D815H01	
4	R61 Y08 208	Pressure switch ass'y	<63H1,2>	2	2	2	2	2	2	W872429G02	
5	R61 331 288	Pressure sensor	<63HS>	1	1	1	1	1	1	P419110X01	
6	R61 Y04 237	Liquid level detecting heater ass'y	<CH2,3>	1	1	1	1	1	1	W872422G01	
7	R61 Y03 494	Pipe ass'y		1	1	1	1	1	1	W883580G05	
8	R61 F14 410	Ball valve	1/2	1	1	1	1	1	1	P636220X01	
9	R61 F14 418	Check valve		2	2	2	2	2	2	P639130X01	
10	R61 Y02 154	Four way valve	With a coil	2	2	2	2	2	2	W893224G01	
11	R61 Y10 242	Four way valve coil	<21S4a, 21S4b>	2	2	2	2	2	2	W893225G01	
12	R61 670 232	Solenoid valve	(NEV-L202DXF) <SV2>	1	1	1	1	1	1	P631148X01	
13	R61 435 232	Solenoid valve	(NEV-202DXF) <SV1,3,4,6>	4	4	4	4	4	4	P631807X02	
14	R61 E66 421	Two way valve	VR40101	1	1	1	1	1	1	P631214X02	
15	R61 H13 485	Equalizer ass'y		1	1	1	1	1	1	W633751G02	
16	R61 Y16 484	Accumulator ass'y		1	1	1	1	1	1	W266566G11	
17	R61 Y03 487	Oil separator		1	1	1	1	1	1	W266568G02	
18	R61 F62 425	Capillary tube ass'y	<1.6X3.2-700>	1	1	1	1	1	1	W861175G02	
19	R61 670 202	Thermistor	(NTH3A14) <TH3-8,9a,9b>	8	8	8	8	8	8	P425496X01	
20	R61 911 202	Thermistor	<TH10,11,12>	3	3	3	3	3	3	P425416X02	
21	R69 964 478	Scroll compressor	ZEC165YAA-J	1	1	1	1	1	1	EP10034G02	
22	R69 962 478	Scroll compressor	HEV92FA1-YJ	1	1	1	1	1	1	EP10013G07	
23	R61 A42 454	Strainer		4	4	4	4	4	4	W882823G01	
24	R61 155 454	Strainer		4	4	4	4	4	4	W882822G01	
25	R61 Y02 454	Strainer		1	1	1	1	1	1	W858399G02	
26	R61 A42 287	Sensor cover	EVA (6.35D)	2	2	2	2	2	2	P227170X01	
27	R61 A45 287	Sensor cover	EVA (12.7D)	1	1	1	1	1	1	P227171X01	
28	R61 F14 413	Check joint		3	3	3	3	3	3	P639131X01	
29	R61 K50 514	Packing		1	1	1	1	1	1	W881519H01	
30	R61 Y07 237	Belt heater	(200V45W) <CH11>	1	1	1	1	1	1	P493781X01	
31	R61 Y08 237	Belt heater	(200V56W) <CH12>	1	1	1	1	1	1	P493782X01	
32	R61 H13 410	Ball valve	5/8	1	1	1	1	1	1	P636233X01	
33	R61 Y04 410	Ball valve	1Flange 10/8	1	1	1	1	1	1	P636254X02	
34	R61 G48 401	Linear expansion valve	DKV-18D124	2	2	2	2	2	2	P632342X01	
35	R61 E66 401	Linear expansion valve coil	<SLEV>	1	1	1	1	1	1	P632312X01	
36	R61 A45 401	Linear expansion valve coil	<LEV1>	1	1	1	1	1	1	P632299X01	
37	R61 E66 779	Rod holder	3771	4	4	4	4	4	4	S452002H09	
38	R61 F14 200	Thermistor	<TH2>	1	1	1	1	1	1	P425565X01	
39	R61 800 202	Thermistor	<TH10a,10b>	2	2	2	2	2	2	P425494X01	
40	R61 Y07 242	Four way valve coil	<SV5B>	1	1	1	1	1	1	P633106X01	
41	R61 G35 288	Pressure sensor	<63LS>	1	1	1	1	1	1	P419129X01	
42	R61 L85 425	Capillary tube processing	<0.8X2.4-2000>	1	1	1	1	1	1	W888053G01	
43	R61 631 418	Check valve		1	1	1	1	1	1	S639001H03	

No. : For use with R407C

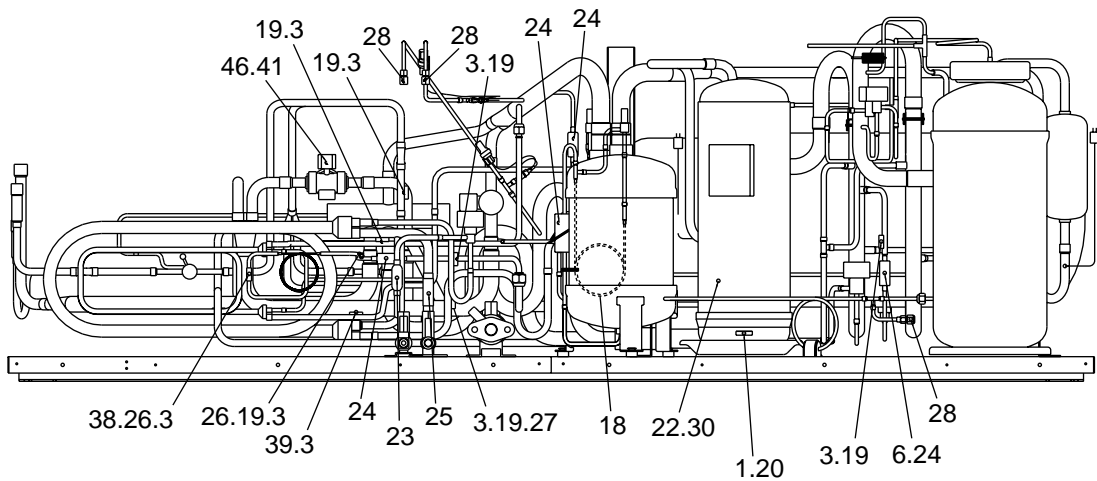
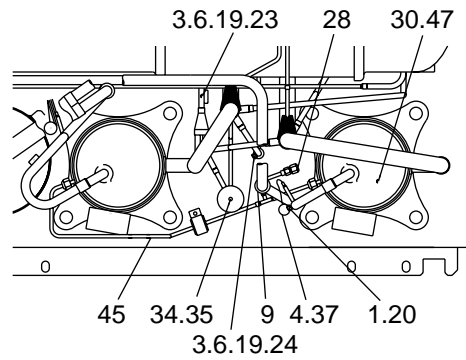
PUHY-P400YMF-C(-BS,-BF)
 PUHY-P500YMF-C(-BS,-BF)

FUNCTIONAL PARTS

P500 TYPE



P400 TYPE



PUHY-P400YMF-C(-BS,-BF)
PUHY-P500YMF-C(-BS,-BF)

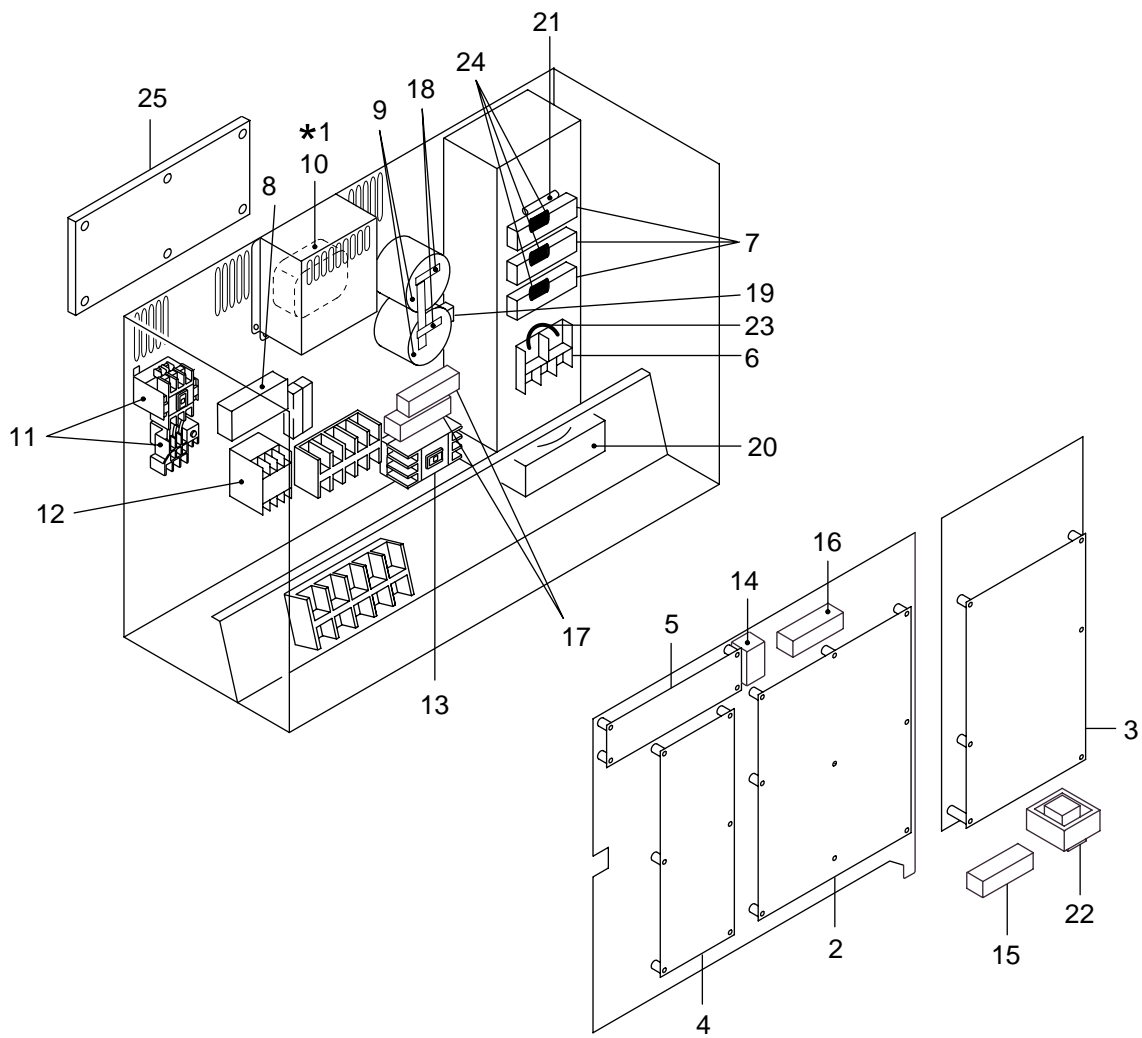
FUNCTIONAL PARTS

No.	Part No.	Part Name	Spec.	-P400YMF-C	-P500YMF-C	-P400YMF-C-BS	-P500YMF-C-BS	-P400YMF-C-BF	-P500YMF-C-BF	Dwg. No.	Price
1	R11 347 865	L.TH spring		3	3	3	3	3	3	U38D120H03	
2	R61 Y04 243	Solenoid valve coil	(NEV) <SV1,4,6,22,32>	3	5	3	5	3	5	P631205X01	
3	R13 658 276	TH spring		10	10	10	10	10	10	C38D815H01	
4	R61 Y08 208	Pressure switch ass'y	<63H1,2>	2	2	2	2	2	2	W872429G02	
5	R61 331 288	Pressure sensor	<63HS>	1	1	1	1	1	1	P419110X01	
6	R61 Y04 237	Liquid level detecting heater ass'y	<CH2,3>	1	1	1	1	1	1	W872422G01	
7	R61 Y03 494	Pipe ass'y		1	1	1	1	1	1	W883580G05	
8	R61 F14 410	Ball valve	1/2	1	1	1	1	1	1	P636220X01	
9	R61 F14 418	Check valve		2	2	2	2	2	2	P639130X01	
10	R61 Y02 154	Four way valve		2	2	2	2	2	2	P633101X01	
11	R61 Y10 242	Four way valve coil	<21S4a, 21S4b>	2	2	2	2	2	2	P633078X01	
12	R61 670 232	Solenoid valve	(NEV-L202DXF) <SV22>		1		1		1	P631148X01	
13	R61 435 232	Solenoid valve	(NEV-202DXF) <SV1,4,6,32>	3	4	3	4	3	4	P631807X02	
14	R61 E66 421	Two way valve	VR40101	2	2	2	2	2	2	P631214X02	
15	R61 H13 485	Equalizer ass'y			1		1		1	W633751G02	
16	R61 Y35 484	Accumulator ass'y		1	1	1	1	1	1	W271344G08	
17	R61 Y03 487	Oil separator		1	1	1	1	1	1	W266568G02	
18	R61 F62 425	Capillary tube ass'y	<1.6X3.2-700>	1	1	1	1	1	1	W861175G02	
19	R61 670 202	Thermistor	(NTH3A14) <TH3-8,9a,9b>	8	8	8	8	8	8	P425496X01	
20	R61 911 202	Thermistor	<TH10,11,12>	3	3	3	3	3	3	P425416X02	
21	R69 964 478	Scroll compressor	ZEC165YAA-J		1		1		1	EP10034G02	
22	R69 962 478	Scroll compressor	HEV92FA1-YJ	1	1	1	1	1	1	EP10013G07	
23	R61 A42 454	Strainer		4	4	4	4	4	4	W882823G01	
24	R61 155 454	Strainer		4	4	4	4	4	4	W882822G01	
25	R61 Y02 454	Strainer		1	1	1	1	1	1	W858399G02	
26	R61 A42 287	Sensor cover	EVA(6.35D)	2	2	2	2	2	2	P227170X01	
27	R61 A45 287	Sensor cover	EVA(12.7D)	1	1	1	1	1	1	P227171X01	
28	R61 F14 413	Check joint		3	3	3	3	3	3	P639131X01	
29	R61 K50 514	Packing		1	1	1	1	1	1	W881519H01	
30	R61 Y07 237	Belt heater	(200V45W) <CH11,12>	2	1	2	1	2	1	P493781X01	
31	R61 Y08 237	Belt heater	(200V56W) <CH12>		1		1		1	P493782X01	
32	R61 H13 410	Ball valve	5/8	1	1	1	1	1	1	P636233X01	
33	R61 Y04 410	Ball valve	1 Flange 10/8	1	1	1	1	1	1	P636254X02	
34	R61 G48 401	Linear expansion valve	DKV-18D124	2	2	2	2	2	2	P632342X01	
35	R61 E66 401	Linear expansion valve coil	<SLEV>	1	1	1	1	1	1	P632312X01	
36	R61 A45 401	Linear expansion valve coil	<LEV1>	1	1	1	1	1	1	P632299X01	
37	R61 E66 779	Rod holder	3771	4	4	4	4	4	4	S452002H09	
38	R61 F14 200	Thermistor	<TH2>	1	1	1	1	1	1	P425565X01	
39	R61 800 202	Thermistor	<TH10a,10b>	2	2	2	2	2	2	P425494X01	
40	R61 Y07 242	Four way valve coil	<SV5b, SV8>	2	2	2	2	2	2	P633106X01	
41	R61 G57 232	Solenoid valve	ST66PF<SV7>	1	1	1	1	1	1	P631227X02	
42	R61 G35 288	Pressure sensor	<63LS>	1	1	1	1	1	1	P419129X01	
43	R61 L85 425	Capillary tube ass'y	<0.8X2.4-2000>	2	2	2	2	2	2	W888053G01	
44	R61 631 418	Check valve		1	1	1	1	1	1	S639001H03	
45	R61 Y04 494	Equalizer ass'y		1		1		1		W633750G02	

No. : For use with R407C

PUHY-P400YMF-B(-BS,-BF)
PUHY-P500YMF-B(-BS,-BF)

CONTROL BOX PARTS



*1: It may be needed to process the hole for attaching parts into the metal plate of Control box.

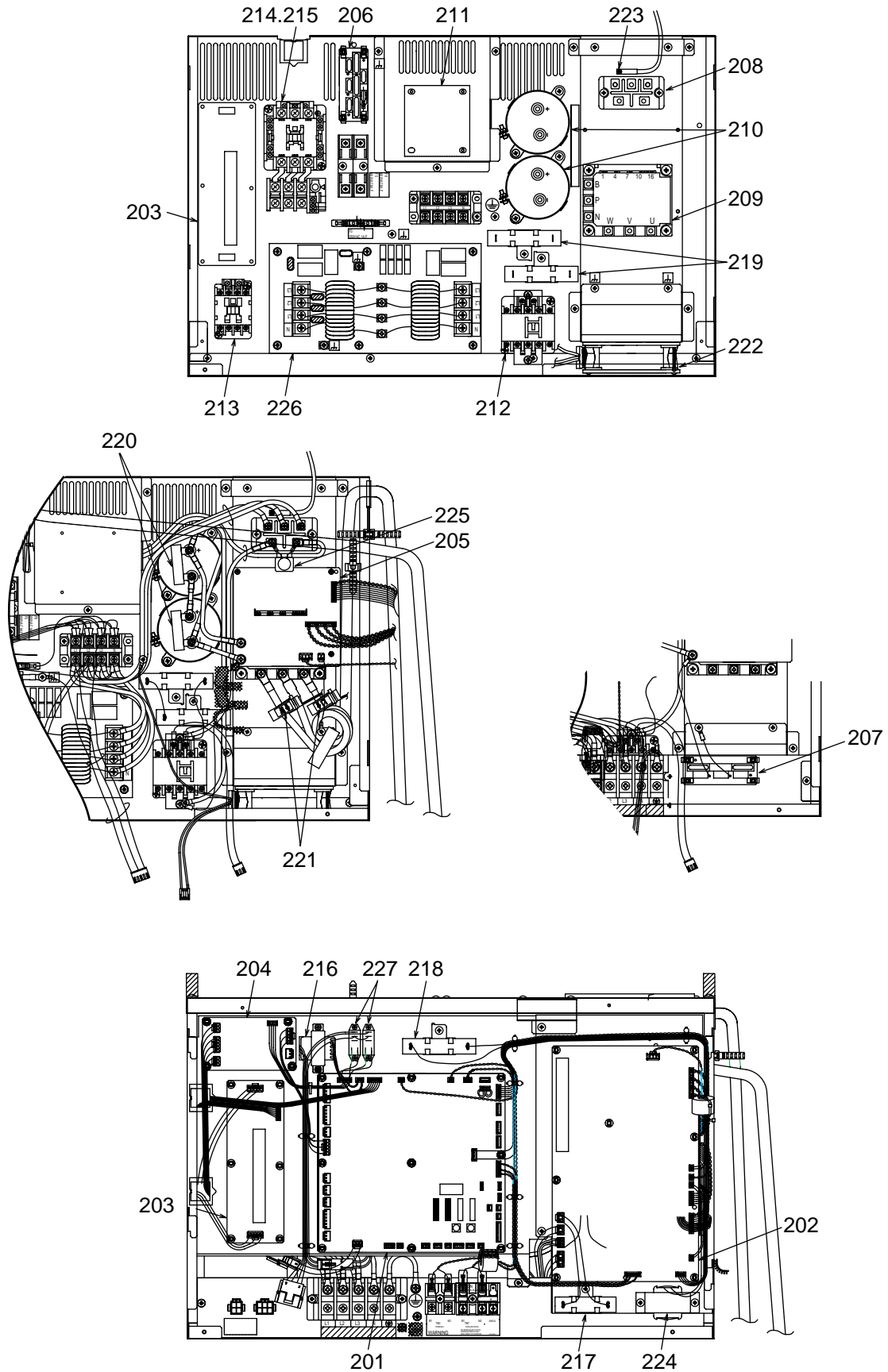
PUHY-P400YMF-B(-BS,-BF)
PUHY-P500YMF-B(-BS,-BF)

CONTROL BOX PARTS

No.	Part No.	Part Name	Spec.	-P400YMF-B	-P500YMF-B	-P400YMF-B-BS	-P500YMF-B-BS	-P400YMF-B-BF	-P500YMF-B-BF	Dwg. No.	Price
1	R61 Y14 321	Inverter 500YMFB	*Control box ass'y	1	1	1	1	1	1	W266239G10	
2	R61 Y59 280	Main board	(P) superY	1	1	1	1	1	1	W266235G06	
3	R61 Y32 280	INV board		1	1	1	1	1	1	W272625G01	
4	R61 Y47 280	FANCON board		1	1	1	1	1	1	W629556G01	
5	R61 Y60 280	Relay board		1	1	1	1	1	1	W629574G02	
6	R61 Y10 320	Diode	6R175G-160	1	1	1	1	1	1	W876941G04	
7	R61 Y13 320	Transistor	2D175M-120	3	3	3	3	3	3	W848413G08	
8	R61 Y07 320	Thyristor	PFB15AA120	1	1	1	1	1	1	S414032H01	
9	R61 Y17 252	Condenser	400WV 3300μF	2	2	2	2	2	2	P412248X01	
*1 10	R61 Y01 259	Reactor	1.92mH/34A	1	1	1	1	1	1	P419149X01	
11	R61 Y31 225	Magnetic starter	PAK-35JT-F (AC240V 27A)	1	1	1	1	1	1	S427021H63	
12	R61 Y29 225	Magnet contactor	PAK-11J	1	1	1	1	1	1	S427020H15	
13	R61 Y19 225	Magnet contactor	S-N18 AC230V	1	1	1	1	1	1	S427017H31	
14	R61 Y14 260	Transformer	240V/40V	1	1	1	1	1	1	P715302X01	
15	R61 670 234	Resistor	30W 22Ω	1	1	1	1	1	1	P411113X01	
16	R61 E69 234	Resistor	40W 110Ω	1	1	1	1	1	1	P411131X01	
17	R61 Y05 234	Resistor	40W 5kΩ	2	2	2	2	2	2	P411133X01	
18	R61 Y02 234	Resistor	10W 33kΩ pitch=32	2	2	2	2	2	2	P411126X01	
19	R61 A42 289	DCCT	HC-TN131V42XP12F	1	1	1	1	1	1	P419079X02	
20	R61 Y02 300	Fan	109S025UL	1	1	1	1	1	1	P712360X01	
21	R61 M54 201	Thermistor	181-503-97146	1	1	1	1	1	1	P414102X01	
22	R61 Y02 244	Choke coil	1A 30mH	1	1	1	1	1	1	P419121X01	
23	R61 L85 252	ZNR+C		1	1	1	1	1	1	W886345G01	
24	R61 Y11 252	Condenser		3	3	3	3	3	3	W889943G01	
25	R61 Y05 293	Noise filter	VF4030C-MX2	1	1	1	1	1	1	W638330G01	

PUHY-P400YMF-C(-BS,-BF)
 PUHY-P500YMF-C(-BS,-BF)

CONTROL BOX PARTS



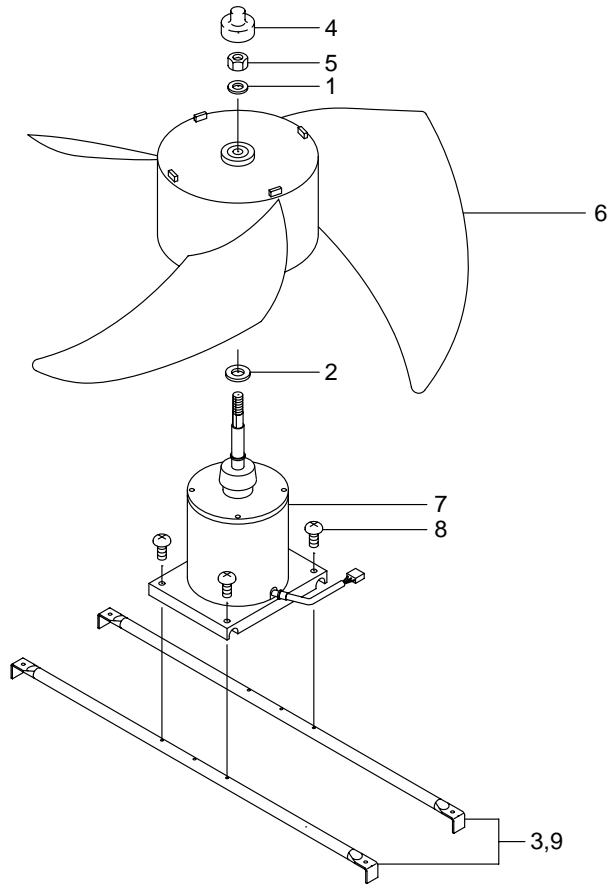
PUHY-P400YMF-C(-BS,-BF)
PUHY-P500YMF-C(-BS,-BF)

CONTROL BOX PARTS

No.	Part No.	Part Name	Spec.		-P400YMF-C	-P500YMF-C	-P400YMF-C-BS	-P500YMF-C-BS	-P400YMF-C-BF	-P500YMF-C-BF	Dwg. No.	Price
201	R61 Y98 280	Main board			1	1	1	1	1	1	W266235G28	
202	R61 Y67 280	INV board			1	1	1	1	1	1	W639915G01	
203	R61 Y01 251	Fan controller board			2	2	2	2	2	2	W639913G02	
204	R61 Y60 280	Ralay board			1	1	1	1	1	1	W629574G02	
205	R61 Y66 280	G/A board			1	1	1	1	1	1	W639914G01	
206	R61 Y20 281	SNB board			1	1	1	1	1	1	W629557G03	
207	R61 Y85 280	Y-C board			1	1	1	1	1	1	W629557G04	
208	R61 Y12 320	Diode	DF60LB160		1	1	1	1	1	1	W876941G06	
209	R61 Y04 249	IPM	6MBP50RA120		1	1	1	1	1	1	W848413G10	
210	R61 Y18 252	Capacitor	400WV,4700μF<C2,3>		2	2	2	2	2	2	P412265X01	
211	R61 Y01 259	Reactor	1.92mH/34A<DCL>		1	1	1	1	1	1	P419149X01	
212	R61 Y28 225	Magnet contactor	PAK-21J		1	1	1	1	1	1	S427020H12	
213	R61 Y29 225	Magnet contactor	PAK-11J		1	1	1	1	1	1	S427020H15	
214	R61 Y30 225	Magnetic starter	PAK-35JT-F 240V 17.5A		1		1		1		S427021H62	
215	R61 Y31 225	Magnetic starter	PAK-35JT-F 240V 27A			1		1		1	S427021H63	
216	R61 Y14 260	Transformer	240V/40V<T1>		1	1	1	1	1	1	P715302X01	
217	R61 670 234	Resistor	30W,22Ω<R7>		1	1	1	1	1	1	P411113X01	
218	R61 E69 234	Resistor	40W,110Ω<R6>		1	1	1	1	1	1	P411131X01	
219	R61 Y05 234	Resistor	40W,5kΩ<R1,5>		2	2	2	2	2	2	P411133X01	
220	R61 Y02 234	Resistor	10W,33kΩ,pitch=32<R2,3>		2	2	2	2	2	2	P411126X01	
221	R61 Y05 249	ACCT	DJ-6		1	1	1	1	1	1	P419169X01	
222	R61 Y15 118	Fan	109S25UL		1	1	1	1	1	1	W639916G01	
223	R61 M54 201	Thermistor	181-503-97146		1	1	1	1	1	1	P414102X01	
224	R61 399 244	Choke coil	1A,30mH		1	1	1	1	1	1	P419072X01	
225	R61 Y20 252	ZNR+C			1	1	1	1	1	1	W893546G01	
226	R61 Y09 293	NF VF4030C-MX2			1	1	1	1	1	1	W893513G01	
227	R40 924 963	Relay	G2R-1-T DC12V		2	2	2	2	2	2	P421187X01	

PUHY-P400YMF-B(-BS,-BF)
 PUHY-P500YMF-B(-BS,-BF)

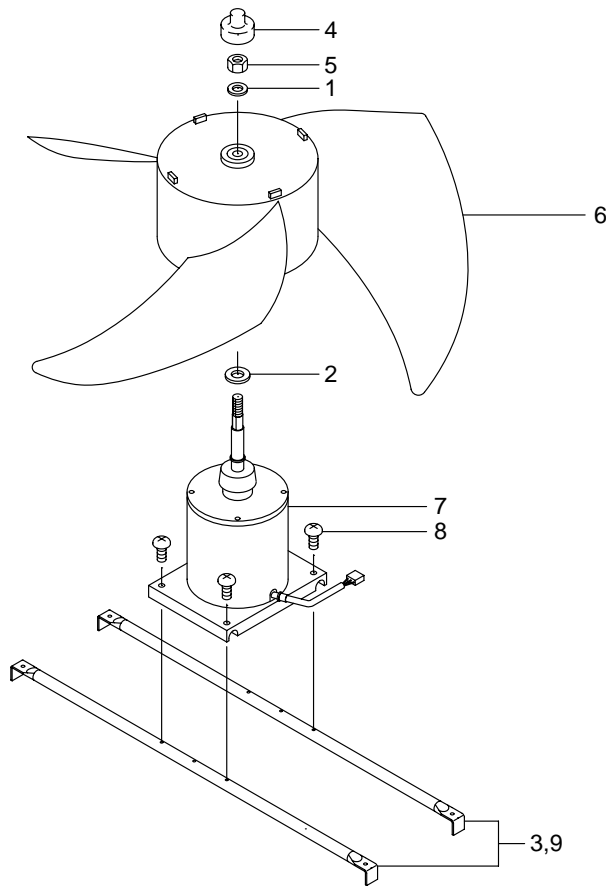
BLOWER PARTS



No.	Part No.	Part Name	Spec.							Dwg. No.	Price
				-P400YMF-B	-P500YMF-B	-P400YMF-B-BS	-P500YMF-B-BS	-P400YMF-B-BF	-P500YMF-B-BF		
1	R61 A42 136	Washer	17X32	2	2	2	2	2	2	P562006X01	
2	R61 A45 136	Washer	20.5X40	2	2	2	2	2	2	P562007X01	
3	R61 A42 140	Fan stand		4	4			4	4	W856127G05	
4	R61 A69 086	Cap		2	2	2	2	2	2	P221056X01	
5	R61 A42 122	Nut 16		2	2	2	2	2	2	P541016X01	
6	R61 E66 115	Propeller fan	750D	2	2	2	2	2	2	W872619G01	
7	R61 Y84 220	Motor	<MF2,3>	2	2	2	2	2	2	P714535X03	
8	R61 E90 087	Screw	6X14	8	8	8	8	8	8	P521020X01	
9	R61 A43 140	Fan stand				4	4			W856127G06	

PUHY-P400YMF-C(-BS,-BF)
 PUHY-P500YMF-C(-BS,-BF)

BLOWER PARTS



No.	Part No.	Part Name	Spec.							Dwg. No.	Price
				-P400YMF-C	-P500YMF-C	-P400YMF-C-BS	-P500YMF-C-BS	-P400YMF-C-BF	-P500YMF-C-BF		
1	R61 A42 136	Washer	17X32	2	2	2	2	2	2	P562006X01	
2	R61 A45 136	Washer	20.5X40	2	2	2	2	2	2	P562007X01	
3	R61 A42 140	Fan stand		4	4			4	4	W856127G05	
4	R61 A69 086	Cap		2	2	2	2	2	2	P221056X01	
5	R61 A42 122	Nut 16		2	2	2	2	2	2	P541016X01	
6	R61 E66 115	Propeller fan	750D	2	2	2	2	2	2	W872619G01	
7	R61 Y33 221	Motor	<MF2, 3>	2	2	2	2	2	2	P714762X01	
8	R61 E90 087	Screw	6X14	8	8	8	8	8	8	P521020X01	
9	R61 A43 140	Fan stand				4	4			W856127G06	

