

SERVICE PARTS LIST FOR MITSUBISHI ELECTRIC PACKAGED AIR-CONDITIONERS

Series : PURY-(P)·YMF-C(-BS,-BF)

REVISED

Apr. 2008

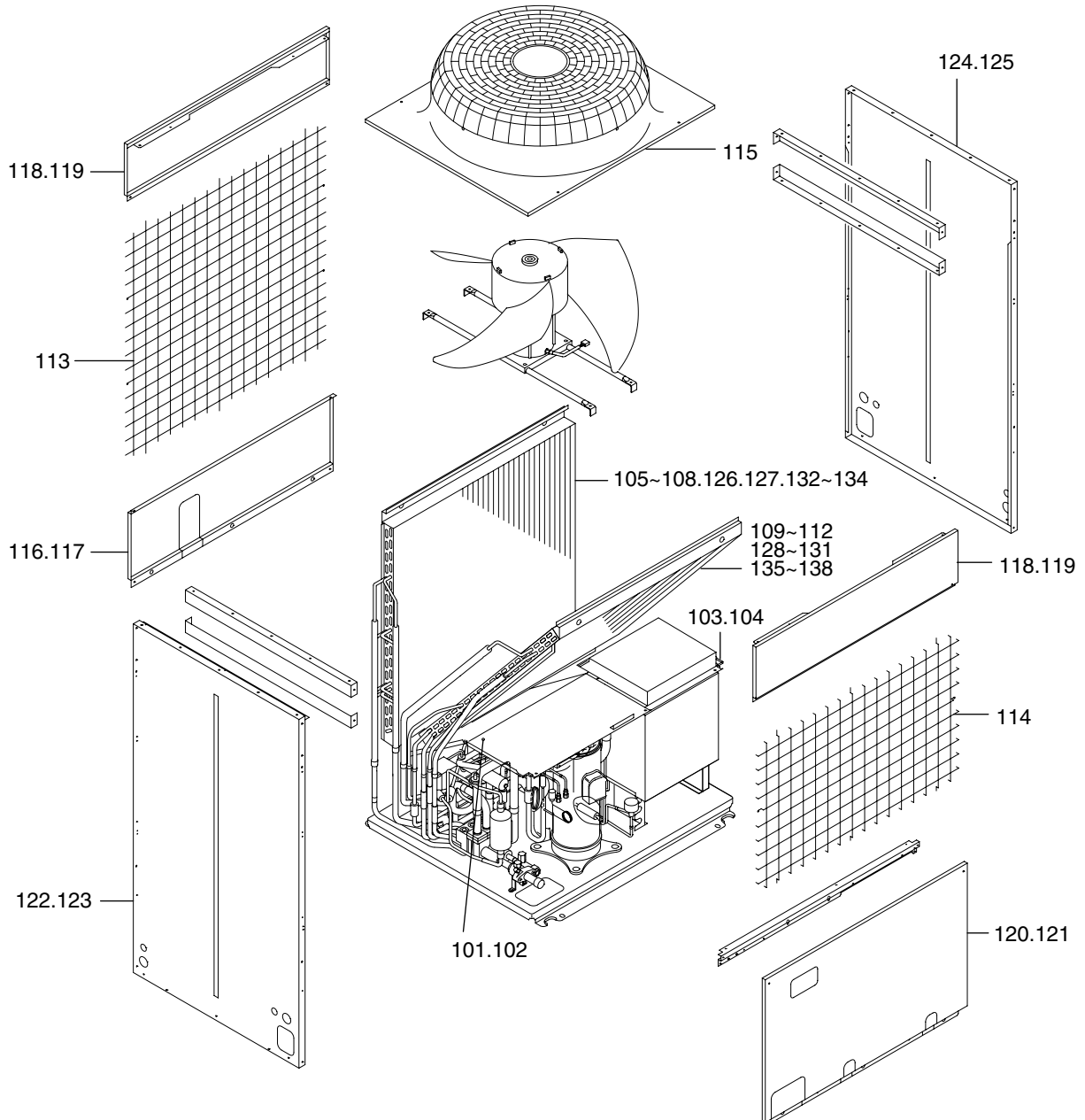
BWE0320B

INDEX
PURY-(P)200YMF-C
PURY-(P)250YMF-C
PURY-(P)200YMF-C-BS
PURY-(P)250YMF-C-BS
PURY-(P)200YMF-C-BF
PURY-(P)250YMF-C-BF



PURY-(P)200YMF-C(-BS,-BF)
PURY-(P)250YMF-C(-BS,-BF)

EXTERNAL PARTS



No.	Part No.	G : RoHS Apply Only W : RoHS Apply by Running Change		Spec.	-200YMF-C	-250YMF-C	-200YMF-C-BS	-250YMF-C-BS	Dwg. No.	Price	Revision History
			Part Name								
101	R61 Y08 629	W	Partition board L assy		1	1			W638395G05		B
102	R61 Y11 629	W	Partition board L assy				1	1	W638395G06		B
103	R63 Y07 629	G	Partition board R assy		1	1			W639809G13		B
104	R61 Y10 629		Partition board R assy				1	1	W639809G14		B
105	R61 Y70 480		Heat exchanger B						W263694G26		B
106	R61 K27 480		Heat exchanger B						W263694G27		B
107	R61 Y45 481	W	Heat exchanger B			1			W268278G11		B
108	R61 M71 480		Heat exchanger B					1	W268278G12		B
109	R61 Y71 480		Heat exchanger F						W263693G64		B
110	R61 K27 481		Heat exchanger F						W263693G65		B
111	R61 Y44 481	W	Heat exchanger F						W263696G62		B
112	R61 M76 480		Heat exchanger F						W263696G63		B
113	R63 A42 638	G	Guard B assy		1	1	1	1	W265789G01		B
114	R63 E66 611	G	Guard F assy		1	1	1	1	W265788G01		B
115	R63 A52 118	G	Fan guard		1	1	1	1	W123195G01		B
116	R61 Y01 677	W	Panel B assy		1	1			W615886G16		B
117	R61 M25 651		Panel B assy				1	1	W615886G10		
118	R12 001 669	G	Panel FU		2	2			W633746G09		B
119	R12 002 669	G	Panel FU				2	2	W633746G10		B
120	R63 Y13 652	G	Panel F assy		1	1			W857425G50		B
121	R61 Y14 652	W	Panel F assy				1	1	W857425G51		B
122	R61 G03 661		Panel S assy(L)		1	1			W625856G14		
123	R61 F14 662		Panel S assy(L)				1	1	W625856G16		
124	R61 G03 662		Panel S assy(R)		1	1			W625856G13		
125	R61 F14 651		Panel S assy(R)				1	1	W625856G15		
126	R61 Y66 480		Heat exchanger B		1				W263694G19		B
127	R61 H51 480		Heat exchanger B				1		W263694G20		B
128	R61 Y68 480		Heat exchanger F		1				W263693G54		B
129	R61 H51 481		Heat exchanger F				1		W263693G55		B
130	R61 Y94 480		Heat exchanger F			1			W268929G13		B
131	R61 Y16 481		Heat exchanger F					1	W268929G14		B
132	R61 Y34 481		Heat exchanger B						W263694G28		B
133	R61 Y76 481	W	Heat exchanger B						W263694G23		B
134	R61 Y36 481	W	Heat exchanger B						W268278G10		B
135	R61 Y37 481		Heat exchanger F						W263693G57		B
136	R61 Y38 481		Heat exchanger F						W263696G61		B
137	R61 Y39 481	W	Heat exchanger F						W263693G58		
138	R61 Y40 481	W	Heat exchanger F						W268929G15		B

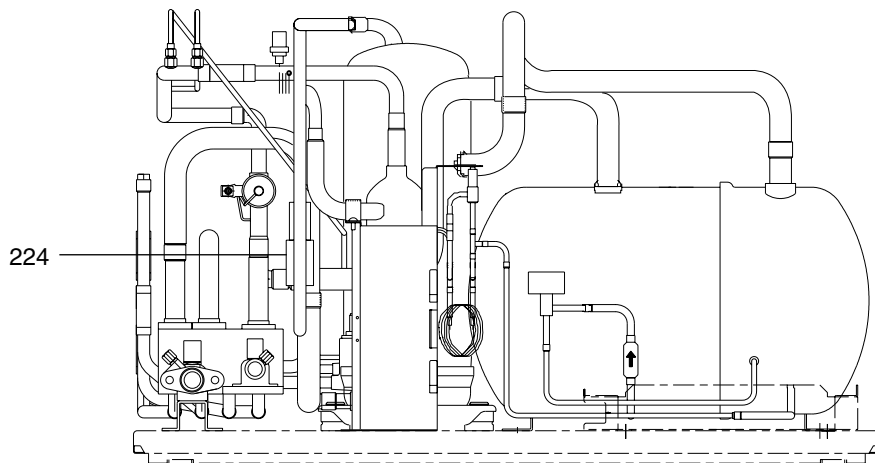
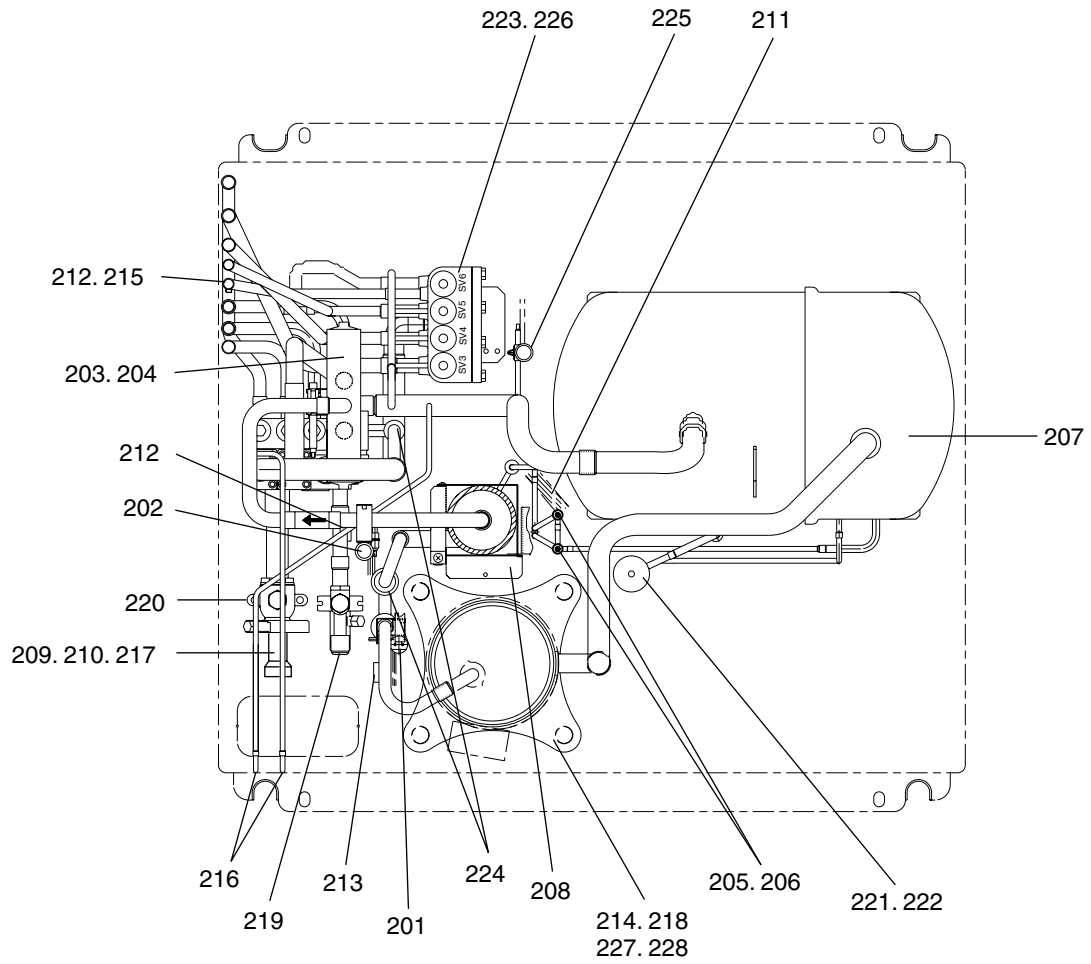
EXTERNAL PARTS

No.	Part No.	G : RoHS Apply Only W : RoHS Apply by Running Change		Spec.	-P200YMF-C	-P250YMF-C	-P200YMF-C-BS	-P250YMF-C-BS	Dwg. No.	Price	Revision History
			Part Name								
101	R61 Y08 629	W	Partition board L Assy		1	1			W638395G05		B
102	R61 Y11 629	W	Partition board L Assy				1	1	W638395G06		B
103	R63 Y07 629	G	Partition board R Assy		1	1			W639809G13		B
104	R61 Y10 629		Partition board R Assy				1	1	W639809G14		B
105	R61 Y70 480		Heat exchanger B		1				W263694G26		B
106	R61 K27 480		Heat exchanger B				1		W263694G27		B
107	R61 Y45 481	W	Heat exchanger B			1			W268278G11		B
108	R61 M71 480		Heat exchanger B					1	W268278G12		B
109	R61 Y71 480		Heat exchanger F		1				W263693G64		B
110	R61 K27 481		Heat exchanger F				1		W263693G65		B
111	R61 Y44 481	W	Heat exchanger F			1			W263696G62		B
112	R61 M76 480		Heat exchanger F					1	W263696G63		B
113	R63 A42 638	G	Guard B Assy		1	1	1	1	W265789G01		B
114	R63 E66 611	G	Guard F Assy		1	1	1	1	W265788G01		B
115	R63 A52 118	G	Fan guard		1	1	1	1	W123195G01		B
116	R61 Y01 677	W	Panel B Assy		1	1			W615886G16		B
117	R61 M25 651		Panel B Assy				1	1	W615886G10		
118	R12 001 669	G	Panel FU		2	2			W633746G09		B
119	R12 002 669	G	Panel FU				2	2	W633746G10		B
120	R63 Y13 652	G	Panel F Assy		1	1			W857425G50		B
121	R61 Y14 652	W	Panel F Assy				1	1	W857425G51		B
122	R61 G03 661		Panel S Assy(L)		1	1			W625856G14		
123	R61 F14 662		Panel S Assy(L)				1	1	W625856G16		
124	R61 G03 662		Panel S Assy(R)		1	1			W625856G13		
125	R61 F14 651		Panel S Assy(R)				1	1	W625856G15		
126	R61 Y66 480		Heat exchanger B						W263694G19		B
127	R61 H51 480		Heat exchanger B						W263694G20		B
128	R61 Y68 480		Heat exchanger F						W263693G54		B
129	R61 H51 481		Heat exchanger F						W263693G55		B
130	R61 Y94 480		Heat exchanger F						W268929G13		B
131	R61 Y16 481		Heat exchanger F						W268929G14		B
132	R61 Y34 481		Heat exchanger B						W263694G28		B
133	R61 Y76 481	W	Heat exchanger B						W263694G23		B
134	R61 Y36 481	W	Heat exchanger B						W268278G10		B
135	R61 Y37 481		Heat exchanger F						W263693G57		B
136	R61 Y38 481		Heat exchanger F						W263696G61		B
137	R61 Y39 481	W	Heat exchanger F						W263693G58		
138	R61 Y40 481	W	Heat exchanger F						W268929G15		B

No.	Part No.	G : RoHS Apply Only W : RoHS Apply by Running Change	Part Name	Spec.					Dwg. No.	Price	Revision History
101	R61 Y08 629	W	Partition board L assy		1	1	1	1	W638395G05		B
102	R61 Y11 629	W	Partition board L assy						W638395G06		B
103	R63 Y07 629	G	Partition board R assy		1	1	1	1	W639809G13		B
104	R61 Y10 629		Partition board R assy						W639809G14		B
105	R61 Y70 480		Heat exchanger B						W263694G26		B
106	R61 K27 480		Heat exchanger B						W263694G27		B
107	R61 Y45 481	W	Heat exchanger B						W268278G11		B
108	R61 M71 480		Heat exchanger B						W268278G12		B
109	R61 Y71 480		Heat exchanger F						W263693G64		B
110	R61 K27 481		Heat exchanger F						W263693G65		B
111	R61 Y44 481	W	Heat exchanger F						W263696G62		B
112	R61 M76 480		Heat exchanger F						W263696G63		B
113	R63 A42 638	G	Guard B assy		1	1	1	1	W265789G01		B
114	R63 E66 611	G	Guard F assy		1	1	1	1	W265788G01		B
115	R63 A52 118	G	Fan guard		1	1	1	1	W123195G01		B
116	R61 Y01 677	W	Panel B assy		1	1	1	1	W615886G16		B
117	R61 M25 651		Panel B assy						W615886G10		
118	R12 001 669	G	Panel FU			2	2	2	W633746G09		B
119	R12 002 669	G	Panel FU						W633746G10		B
120	R63 Y13 652	G	Panel F assy		1	1	1	1	W857425G50		B
121	R61 Y14 652	W	Panel F assy						W857425G51		B
122	R61 G03 661		Panel S assy(L)		1	1	1	1	W625856G14		
123	R61 F14 662		Panel S assy(L)						W625856G16		
124	R61 G03 662		Panel S assy(R)		1	1	1	1	W625856G13		
125	R61 F14 651		Panel S assy(R)						W625856G15		
126	R61 Y66 480		Heat exchanger B						W263694G19		B
127	R61 H51 480		Heat exchanger B						W263694G20		B
128	R61 Y68 480		Heat exchanger F						W263693G54		B
129	R61 H51 481		Heat exchanger F						W263693G55		B
130	R61 Y94 480		Heat exchanger F						W268929G13		B
131	R61 Y16 481		Heat exchanger F						W268929G14		B
132	R61 Y34 481		Heat exchanger B				1		W263694G28		B
133	R61 Y76 481	W	Heat exchanger B		1				W263694G23		B
134	R61 Y36 481	W	Heat exchanger B			1		1	W268278G10		B
135	R61 Y37 481		Heat exchanger F				1		W263693G57		B
136	R61 Y38 481		Heat exchanger F					1	W263696G61		B
137	R61 Y39 481	W	Heat exchanger F		1				W263693G58		
138	R61 Y40 481	W	Heat exchanger F			1			W268929G15		B

PURY-200YMF-C(-BS,-BF)
PURY-250YMF-C(-BS,-BF)

FUNCTIONAL PARTS



No.	Part No.	G : RoHS Apply Only W : RoHS Apply by Running Change		Spec.	-200YMF-C	-250YMF-C	-200YMF-C-BS	-250YMF-C-BS	Dwg. No.	Price	Revision History
			Part Name								
201	R63 Y06 208	G	Pressure switch	ACBQB07<63H>	1	1	1	1	P426258X02		B
202	R63 331 288	G	Pressure sensor	<63HS>	1	1	1	1	P419110X01		B
203	R63 006 403	G	Four way valve		1	1	1	1	KB00F029G03		B
204	R63 002 242	G	Four way valve coil		1	1	1	1	W875295G05		B
205	R63 435 232	G	Solenoid valve	NEV-202DXF	2	2	2	2	P631807X02		B
206	R63 Y04 243	G	Solenoid valve coil	NEV,<SV1,2>	2	2	2	2	P631205X01		B
207	R61 M02 484		Accumulator assy		1	1	1	1	W650658G02		
208	R61 Y09 487		Oil separator assy		1	1	1	1	W639856G02		
209	R61 E90 494		Pipe assy		1		1		W619465G04		
210	R61 E91 494		Pipe assy			1		1	W619465G05		
211	R63 Y07 425	G	Capillary tube assy	1.2X3-1000	1	1	1	1	W883531G01		B
212	R63 670 202	G	Thermistor	NTH3A14<TH5~7>	3	3	3	3	P425496X01		B
213	R63 671 202	G	Thermistor	<TH1>	1	1	1	1	P425439X01		B
214	R69 947 478	W	Scroll compressor	HHV92FAA-YB,<MC>	1	1	1	1	RF15144G08		
215	R61 A45 287	G	Sensor cover	EVA,12.7D	1	1	1	1	P227171X01		
216	R63 800 413	G	Charging plug		2	2	2	2	BA50U666H04		B
217	R61 F14 514	G	Packing	T/# 1991-NF	1	1	1	1	P321009X01		
218	R61 Y08 262	G	Belt heater	240V 45W,<CH1>	1	1	1	1	P493642X02		
219	R61 Y03 410	W	Ball valve	3/4	1	1	1	1	P636228X01		
220	R61 Y13 410		Ball valve	1flange	1	1	1	1	P636310X02		B
221	R63 G48 401	G	Linear expansion valve		1	1	1	1	P632342X01		B
222	R63 A45 402	G	Linear expansion valve coil	SLEV	1	1	1	1	P472016X01		B
223	R63 Y01 232	G	Solenoid valve	SR10DB	4	4	4	4	P631230X01		B
224	R63 F14 418	G	Check valve		2	2	2	2	P639130X01		B
225	R63 G35 288	G	Pressure sensor	<63LS>	1	1	1	1	P419129X01		B
226	R63 Y06 243	G	Solenoid valve coil	SR10DB<SV3~6>	4	4	4	4	P631231X01		B
227	R63 Y01 850	G	Insulator		1	1	1	1	W628447H02		B
228	R63 Y02 850	G	Insulator		1	1	1	1	W861746H02		B

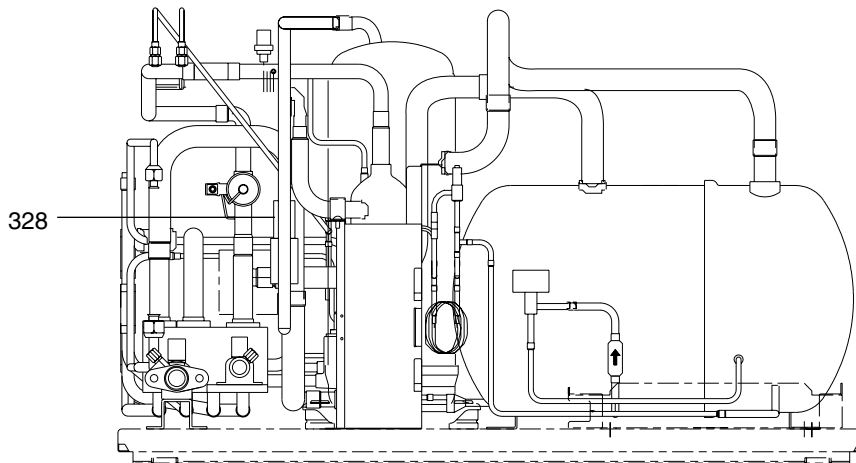
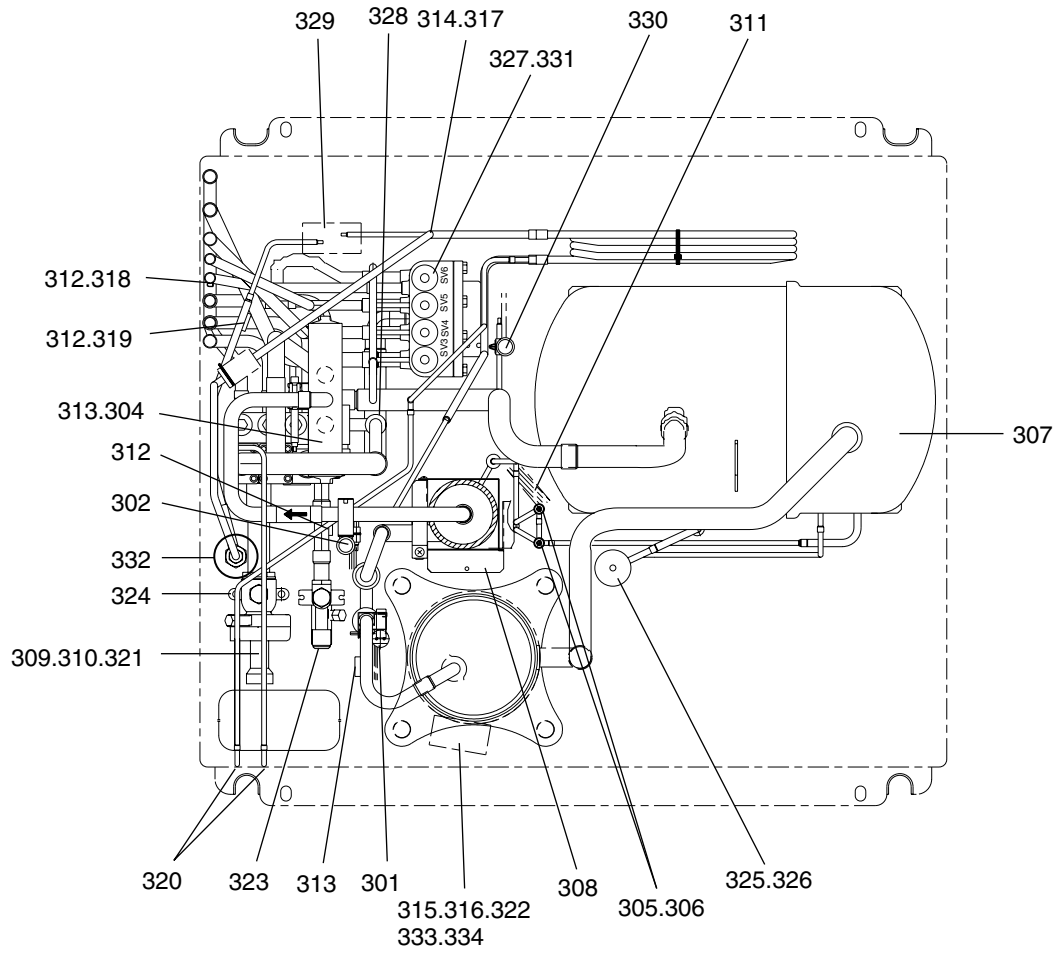
PURY-200YMF-C(-BS,-BF)
 PURY-250YMF-C(-BS,-BF)

FUNCTIONAL PARTS

No.	Part No.	G : RoHS Apply Only W : RoHS Apply by Running Change		Spec.	-200YMF-C-BF	-250YMF-C-BF		Dwg. No.	Price	Revision History
			Part Name							
201	R63 Y06 208	G	Pressure switch	ACBQB07<63H>	1	1		P426258X02		B
202	R63 331 288	G	Pressure sensor	<63HS>	1	1		P419110X01		B
203	R63 006 403	G	Four way valve		1	1		KB00F029G03		B
204	R63 002 242	G	Four way valve coil		1	1		W875295G05		B
205	R63 435 232	G	Solenoid valve	NEV-202DXF	2	2		P631807X02		B
206	R63 Y04 243	G	Solenoid valve coil	NEV,<SV1,2>	2	2		P631205X01		B
207	R61 M02 484		Accumulator assy		1	1		W650658G02		
208	R61 Y09 487		Oil separator assy		1	1		W639856G02		
209	R61 E90 494		Pipe assy		1			W619465G04		
210	R61 E91 494		Pipe assy			1		W619465G05		
211	R63 Y07 425	G	Capillary tube assy	1.2X3-1000	1	1		W883531G01		B
212	R63 670 202	G	Thermistor	NTH3A14<TH5~7>	3	3		P425496X01		B
213	R63 671 202	G	Thermistor	<TH1>	1	1		P425439X01		B
214	R69 947 478	W	Scroll compressor	HHV92FAA-YB,<MC>	1	1		RF15144G08		
215	R61 A45 287	G	Sensor cover	EVA,12.7D	1	1		P227171X01		
216	R63 800 413	G	Charging plug		2	2		BA50U666H04		B
217	R61 F14 514	G	Packing	T/# 1991-NF	1	1		P321009X01		
218	R61 Y08 262	G	Belt heater	240V 45W,<CH1>	1	1		P493642X02		
219	R61 Y03 410	W	Ball valve	3/4	1	1		P636228X01		
220	R61 Y13 410		Ball valve	1flange	1	1		P636310X02		B
221	R63 G48 401	G	Linear expansion valve		1	1		P632342X01		B
222	R63 A45 402	G	Linear expansion valve coil	SLEV	1	1		P472016X01		B
223	R63 Y01 232	G	Solenoid valve	SR10DB	4	4		P631230X01		B
224	R63 F14 418	G	Check valve		2	2		P639130X01		B
225	R63 G35 288	G	Pressure sensor	<63LS>	1	1		P419129X01		B
226	R63 Y06 243	G	Solenoid valve coil	SR10DB<SV3~6>	4	4		P631231X01		B
227	R63 Y01 850	G	Insulator		1	1		W628447H02		B
228	R63 Y02 850	G	Insulator		1	1		W861746H02		B

PURY-P200YMF-C(-BS,-BF)
PURY-P250YMF-C(-BS,-BF)

FUNCTIONAL PARTS



No.	Part No.	G : RoHS Apply Only W : RoHS Apply by Running Change		Spec.	-P200YMF-C	-P250YMF-C	-P200YMF-C-BS	-P250YMF-C-BS	Dwg. No.	Price	Revision History
			Part Name								
301	R63 Y06 208	G	Pressure switch	ACBQB07<63H>	1	1	1	1	P426258X02		B
302	R63 331 288	G	Pressure sensor	<63HS>	1	1	1	1	P419110X01		B
303	R63 006 403	G	Four way valve		1	1	1	1	KB00F029G03		B
304	R63 002 242	G	Four way valve coil		1	1	1	1	W875295G05		B
305	R63 435 232	G	Solenoid valve	NEV-202DXF	2	2	2	2	P631807X02		B
306	R63 Y04 243	G	Solenoid valve coil	NEV,<SV1,2>	2	2	2	2	P631205X01		B
307	R61 M02 484		Accumulator assy		1	1	1	1	W650658G02		
308	R61 Y09 487		Oil separator assy		1	1	1	1	W639856G02		
309	R61 E90 494		Pipe assy		1		1		W619465G04		
310	R61 E91 494		Pipe assy			1		1	W619465G05		
311	R63 Y07 425	G	Capillary tube assy	1.2X3-1000	1	1	1	1	W883531G01		B
312	R63 670 202	G	Thermistor	NTH3A14<TH5~7,9>	4	4	4	4	P425496X01		B
313	R63 671 202	G	Thermistor	<TH1>	1	1	1	1	P425439X01		B
314	R63 F14 200	G	Thermistor	<TH2>	1	1	1	1	P425565X01		B
315	R63 375 200	G	Thermistor	<TH10>	1	1	1	1	P425438X01		B
316	R66 963 478	G	Scroll compressor	HEV92FA1-YB,<MC>	1	1	1	1	EP10013G08		B
317	R63 A42 287	G	Sensor cover	EVA,6.35D	1	1	1	1	P227170X01		B
318	R61 A45 287	G	Sensor cover	EVA,12.7D	1	1	1	1	P227171X01		
319	R63 G03 287	G	Sensor cover	EVA,9.52D	1	1	1	1	P227223X01		B
* 320	R63 F14 413	G	Check joint		2	2	2	2	P639131X01		
321	R61 F14 514	G	Packing	T/# 1991-NF	1	1	1	1	P321009X01		
322	R61 Y08 262	G	Belt heater	240V 45W,<CH1>	1	1	1	1	P493642X02		
* 323	R63 Y02 410	G	Ball valve	3/4	1	1	1	1	P636224X01		B
* 324	R61 F14 411		Ball valve	1flange	1	1	1	1	P636298X01		
325	R63 G48 401	G	Linear expansion valve		1	1	1	1	P632342X01		B
326	R63 A45 402	G	Linear expansion valve coil		1	1	1	1	P472016X01		B
327	R63 Y01 232	G	Solenoid valve	SR10DB	4	4	4	4	P631230X01		B
328	R63 F14 418	G	Check valve		2	2	2	2	P639130X01		B
329	R63 L85 425	G	Capillary tube assy	0.8X2.4X2000	1	1	1	1	W888053G01		B
330	R63 G35 288	G	Pressure sensor	<63LS>	1	1	1	1	P419129X01		B
331	R63 Y06 243	G	Solenoid valve coil	SR10DB<SV3~6>	4	4	4	4	P631231X01		B
* 332	R61 M43 405		Drier		1	1	1	1	W894128G02		
333	R63 Y01 850	G	Insulator		1	1	1	1	W628447H02		B
334	R63 Y02 850	G	Insulator		1	1	1	1	W861746H02		B

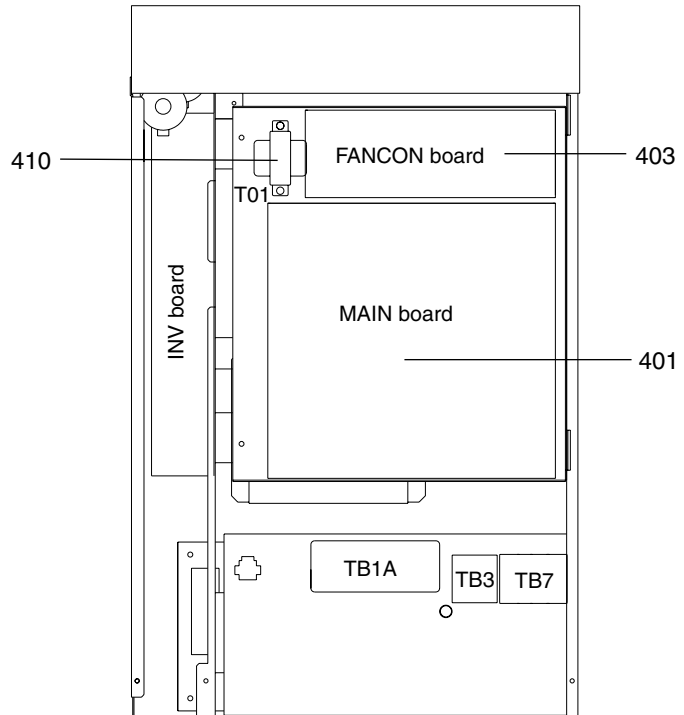
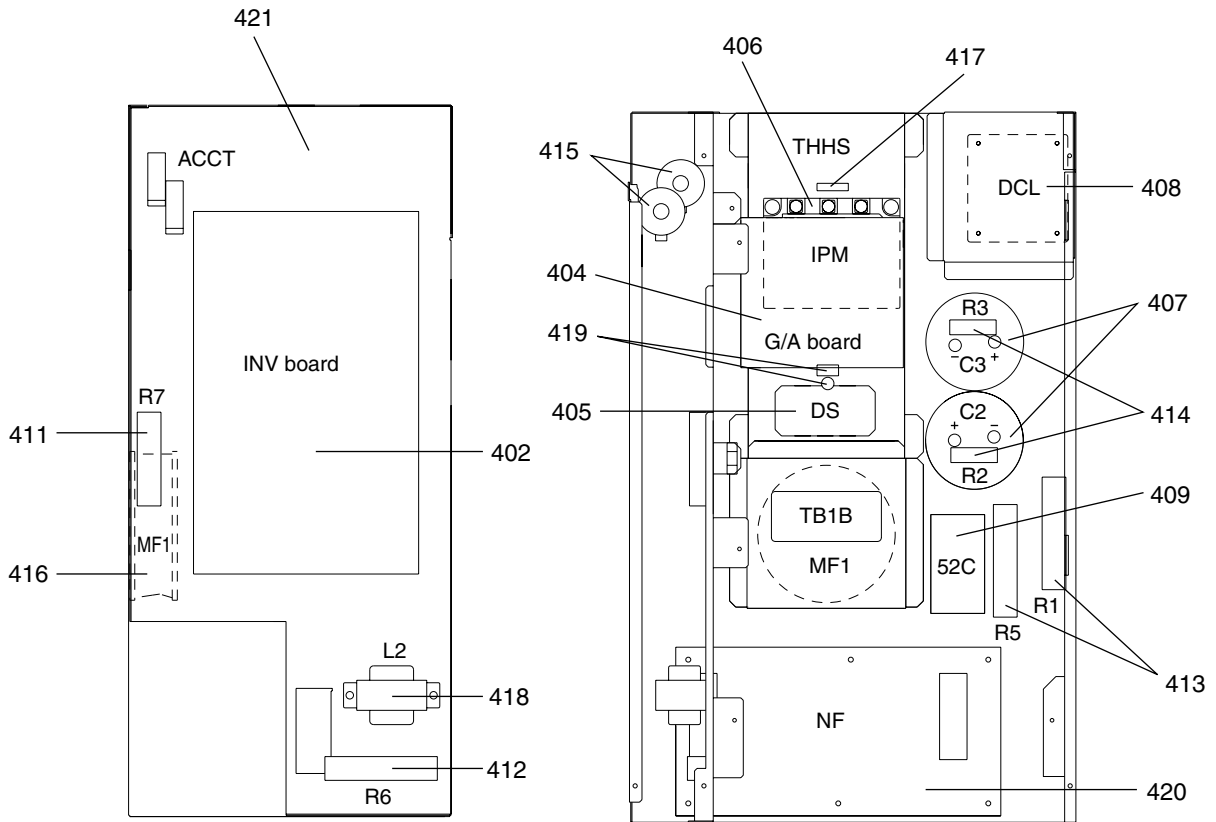
*:For use with R407C

No.	Part No.	G : RoHS Apply Only W : RoHS Apply by Running Change		Spec.	-P200YMF-C-BF	-P250YMF-C-BF			Dwg. No.	Price	Revision History
			Part Name								
301	R63 Y06 208	G	Pressure switch	ACBQB07<63H>	1	1			P426258X02		B
302	R63 331 288	G	Pressure sensor	<63HS>	1	1			P419110X01		B
303	R63 006 403	G	Four way valve		1	1			KB00F029G03		B
304	R63 002 242	G	Four way valve coil		1	1			W875295G05		B
305	R63 435 232	G	Solenoid valve	NEV-202DXF	2	2			P631807X02		B
306	R63 Y04 243	G	Solenoid valve coil	NEV,<SV1,2>	2	2			P631205X01		B
307	R61 M02 484		Accumulator assy		1	1			W650658G02		
308	R61 Y09 487		Oil separator assy		1	1			W639856G02		
309	R61 E90 494		Pipe assy		1				W619465G04		
310	R61 E91 494		Pipe assy			1			W619465G05		
311	R63 Y07 425	G	Capillary tube assy	1.2X3-1000	1	1			W883531G01		B
312	R63 670 202	G	Thermistor	NTH3A14<TH5~7,9>	4	4			P425496X01		B
313	R63 671 202	G	Thermistor	<TH1>	1	1			P425439X01		B
314	R63 F14 200	G	Thermistor	<TH2>	1	1			P425565X01		B
315	R63 375 200	G	Thermistor	<TH10>	1	1			P425438X01		B
316	R66 963 478	G	Scroll compressor	HEV92FA1-YB,<MC>	1	1			EP10013G08		B
317	R63 A42 287	G	Sensor cover	EVA,6.35D	1	1			P227170X01		B
318	R61 A45 287	G	Sensor cover	EVA,12.7D	1	1			P227171X01		
319	R63 G03 287	G	Sensor cover	EVA,9.52D	1	1			P227223X01		B
* 320	R63 F14 413	G	Check joint		2	2			P639131X01		
321	R61 F14 514	G	Packing	T/# 1991-NF	1	1			P321009X01		
322	R61 Y08 262	G	Belt heater	240V 45W,<CH1>	1	1			P493642X02		
* 323	R63 Y02 410	G	Ball valve	3/4	1	1			P636224X01		B
* 324	R61 F14 411		Ball valve	1flange	1	1			P636298X01		
325	R63 G48 401	G	Linear expansion valve		1	1			P632342X01		B
326	R63 A45 402	G	Linear expansion valve coil		1	1			P472016X01		B
327	R63 Y01 232	G	Solenoid valve	SR10DB	4	4			P631230X01		B
328	R63 F14 418	G	Check valve		2	2			P639130X01		B
329	R63 L85 425	G	Capillary tube assy	0.8X2.4X2000	1	1			W888053G01		B
330	R63 G35 288	G	Pressure sensor	<63LS>	1	1			P419129X01		B
331	R63 Y06 243	G	Solenoid valve coil	SR10DB<SV3~6>	4	4			P631231X01		B
* 332	R61 M43 405		Drier		1	1			W894128G02		
333	R63 Y01 850	G	Insulator		1	1			W628447H02		B
334	R63 Y02 850	G	Insulator		1	1			W861746H02		B

*:For use with R407C

PURY-(P)200YMF-C(-BS,-BF)
 PURY-(P)250YMF-C(-BS,-BF)

CONTROL BOX PARTS



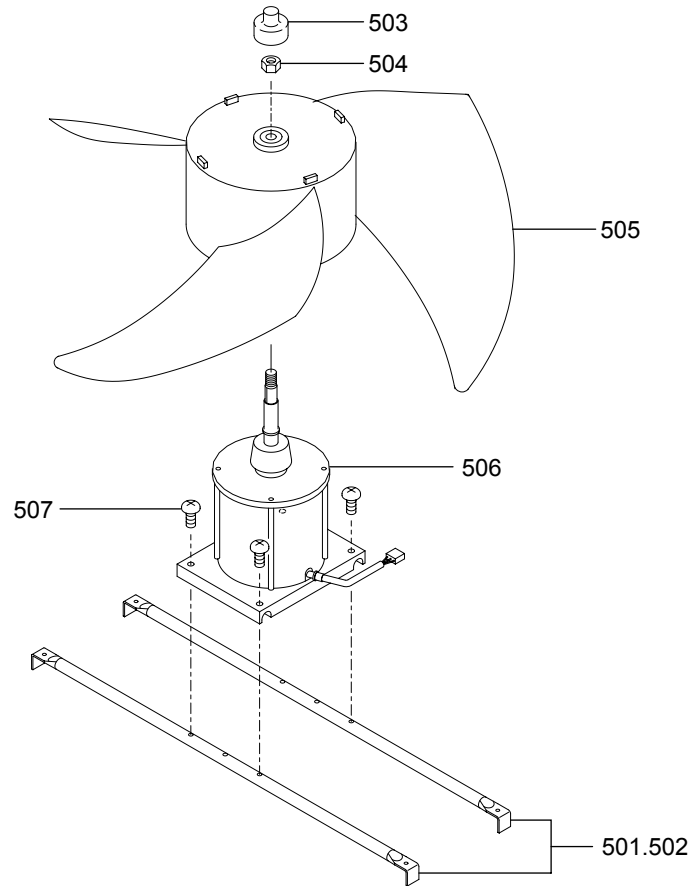
PURY-(P)200YMF-C(-BS,-BF)
 PURY-(P)250YMF-C(-BS,-BF)

CONTROL BOX PARTS

No.	Part No.	G : RoHS Apply Only W : RoHS Apply by Running Change		Spec.	-(P)200YMF-C-BF	-(P)250YMF-C-BF		Dwg. No.	Price	Revision History
		Part Name								
401	R61 Y80 280	G	Main board		1	1		W266235G12		
402	R63 Y67 280	G	INV board		1	1		W639915G01		B
403	R63 Y65 280	G	Fan controller board		1	1		W639913G01		B
404	R63 Y66 280	G	G/A board		1	1		W639914G01		B
405	R63 Y12 320	G	Diode	DF60LB160	1	1		W876941G06		B
406	R63 Y04 249	G	IPM(Power module)	6MBP50RA120	1	1		W848413G10		B
407	R63 Y18 252	G	Capacitor	400WV,4700μF<C2,3>	2	2		P412265X01		B
408	R63 Y01 259	G	Reactor	1.92mH/34A<DCL>	1	1		P419149X01		B
409	R61 Y19 225		Magnet contactor	S-N18,AC230V<52C>	1	1		S427017H31		
410	R63 Y14 260	G	Transformer	240V/40V<T1>	1	1		P715302X01		B
411	R63 670 234	G	Resistor	30W,22Ω<R7>	1	1		P411113X01		B
412	R63 A42 234	G	Resistor	40W,11Ω<R6>	1	1		W237975K23		B
413	R63 Y05 234	G	Resistor	40W,5kΩ<R1,5>	2	2		P411133X01		B
414	R63 Y02 234	G	Resistor	10W,33kΩ,pitch=32<R2,3>	2	2		P411126X01		B
415	R63 Y02 249	G	AC current sensor	DJ-6	1	1		W639917G01		B
416	R63 Y15 118	G	Fan	09S25UL	1	1		W639916G01		B
417	R63 375 201	G	Thermistor	181-503-97134	1	1		P414092X01		
418	R63 002 923	G	Choke coil	1A,30mH	1	1		P715421X01		B
419	R63 L85 252	G	Capacitor assy		1	1		W886345G01		B
420	R63 Y08 293	G	Noise filter	VF4030C-MX2	1	1		P419147X01		B
421	R61 Y17 281		Control box		1	1		W266294G04		

PURY-(P)200YMF-C(-BS,-BF)
 PURY-(P)250YMF-C(-BS,-BF)

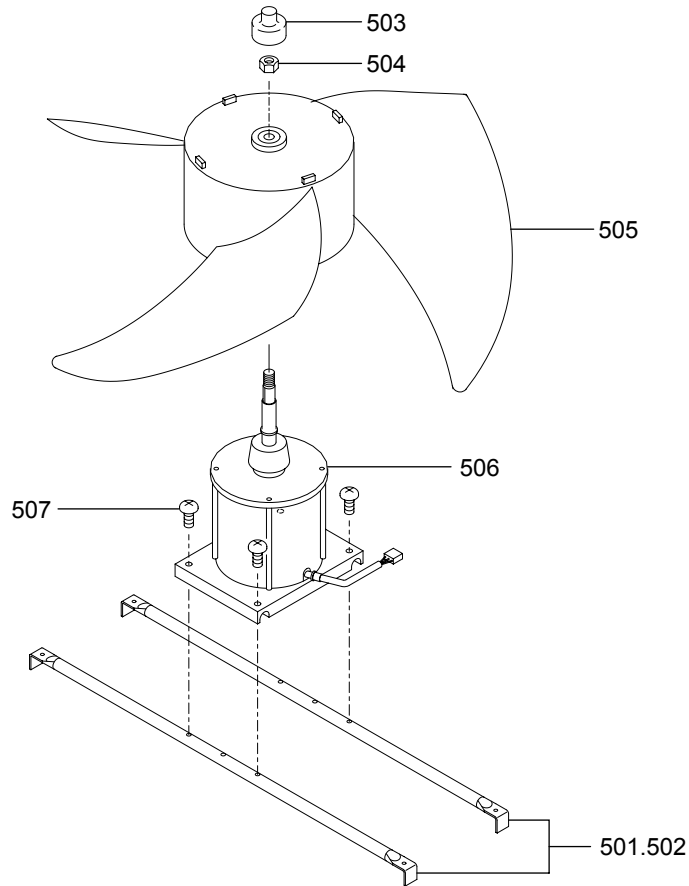
BLOWER PARTS



No.	Part No.	G : RoHS Apply Only W : RoHS Apply by Running Change		Spec.	-(P)200YMF-C	-(P)250YMF-C	-(P)200YMF-C-BS	-(P)250YMF-C-BS	Dwg. No.	Price	Revision History
		Part Name									
501	R63 A42 140	G	Fan stand		2	2			W856127G05		B
502	R63 A43 140	G	Fan stand				2	2	W856127G06		B
503	R61 A69 086	G	Cap		1	1	1	1	P221056X01		
504	R63 A42 122	G	Nut 16		1	1	1	1	P541016X01		
505	R63 E66 115	G	Propeller fan	750D	1	1	1	1	W872619G01		B
506	R63 Y33 221	G	Motor	YD380VB<MF>	1	1	1	1	P714762X01		B
507	R63 E90 087	G	Screw	6X14	4	4	4	4	P521020X01		

PURY-(P)200YMF-C(-BS,-BF)
 PURY-(P)250YMF-C(-BS,-BF)

BLOWER PARTS



No.	Part No.	G : RoHS Apply Only W : RoHS Apply by Running Change		Spec.	-(P)200YMF-C-BF	-(P)250YMF-C-BF			Dwg. No.	Price	Revision History
			Part Name								
501	R63 A42 140	G	Fan stand		2	2			W856127G05		B
502	R63 A43 140	G	Fan stand						W856127G06		B
503	R61 A69 086	G	Cap		1	1			P221056X01		
504	R63 A42 122	G	Nut 16		1	1			P541016X01		
505	R63 E66 115	G	Propeller fan	750D	1	1			W872619G01		B
506	R63 Y33 221	G	Motor	YD380VB<MF>	1	1			P714762X01		B
507	R63 E90 087	G	Screw	6X14	4	4			P521020X01		

