

SERVICE PARTS LIST FOR MITSUBISHI ELECTRIC PACKAGED AIR-CONDITIONERS

Series PURY-P-YMF-C

For use with the R407C

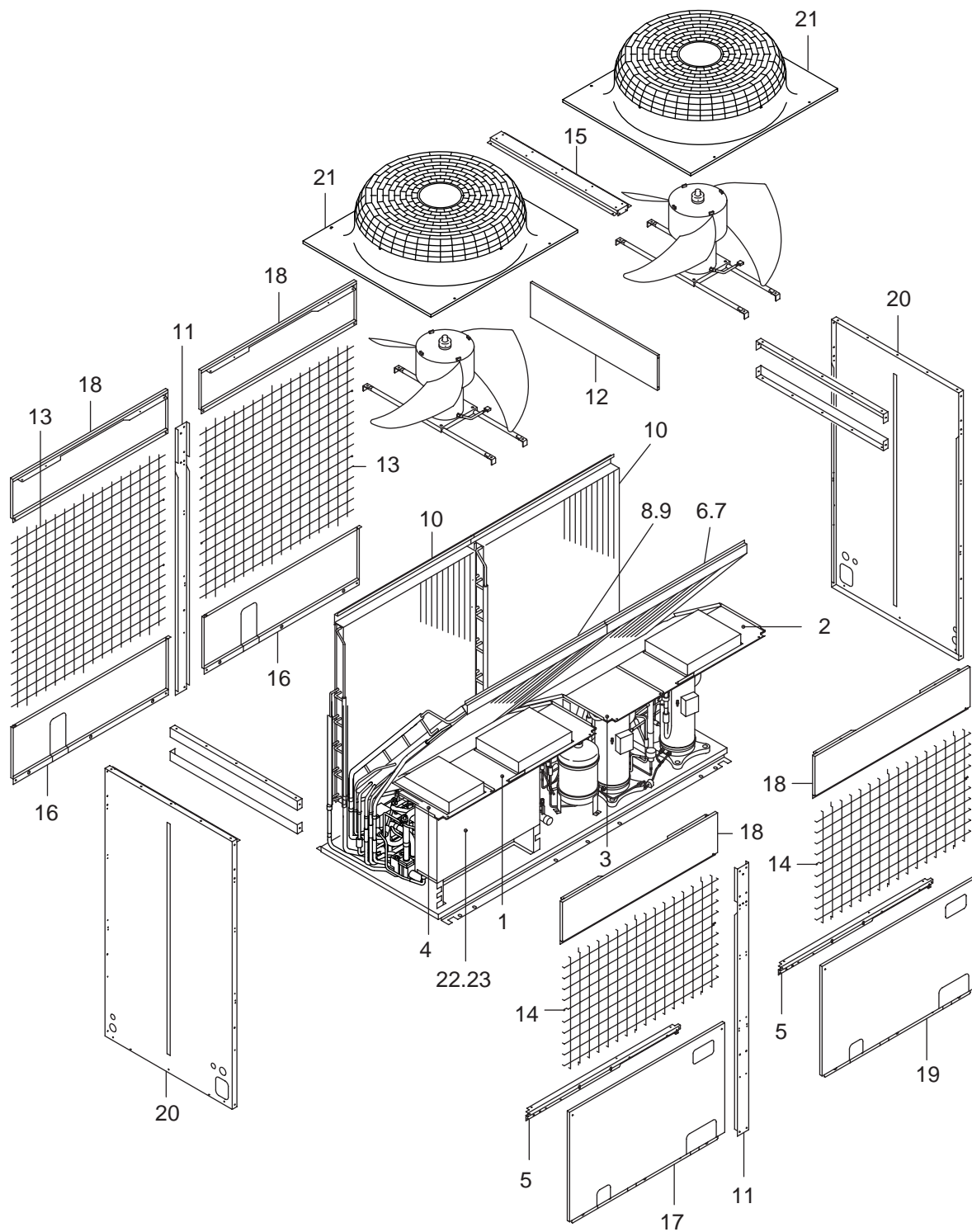
Apr. 2002

INDEX

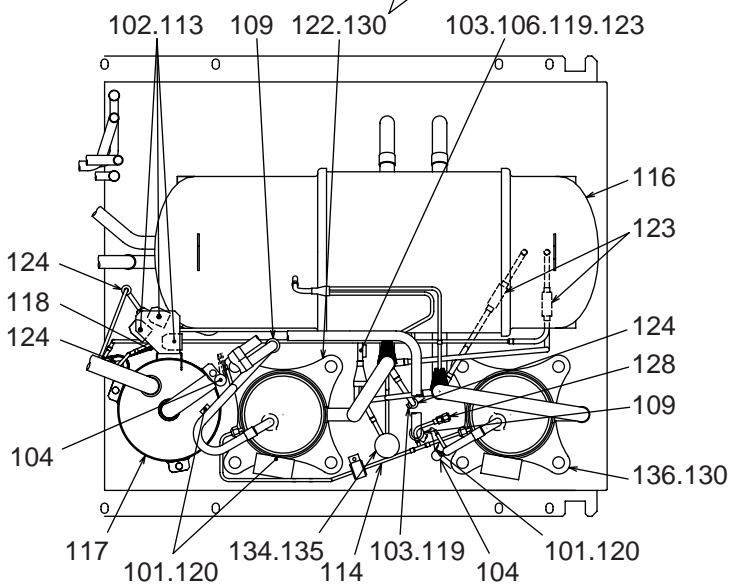
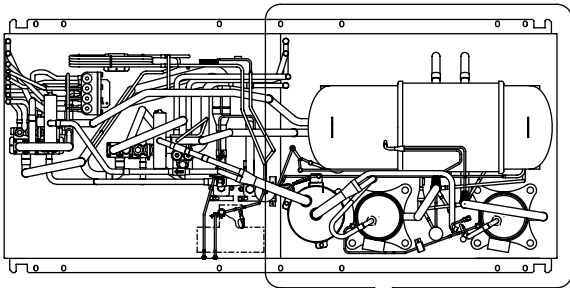
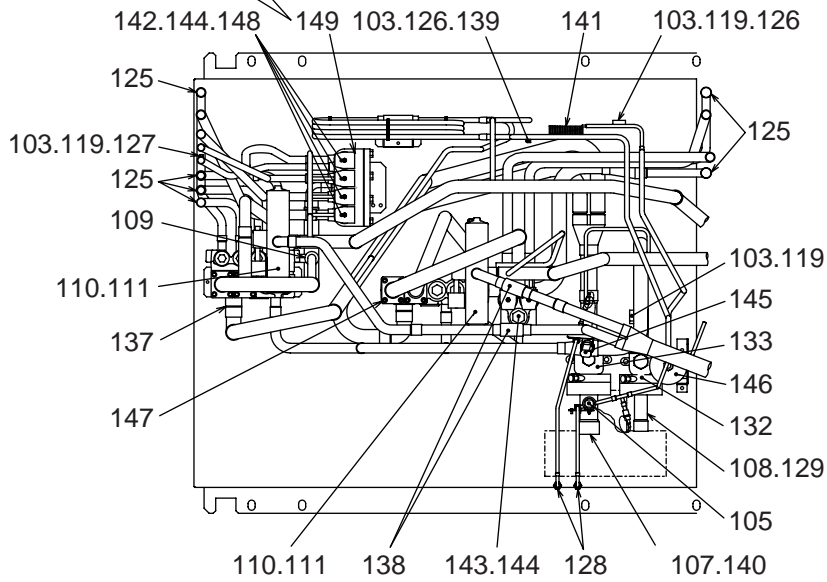
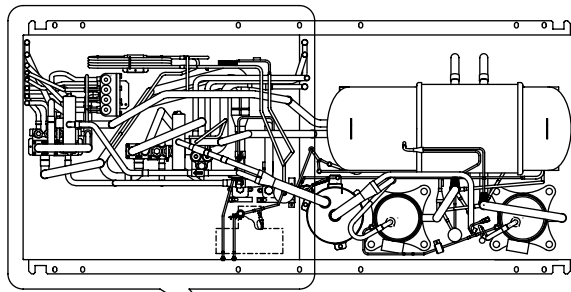
PURY-P400YMF-C

PURY-P500YMF-C

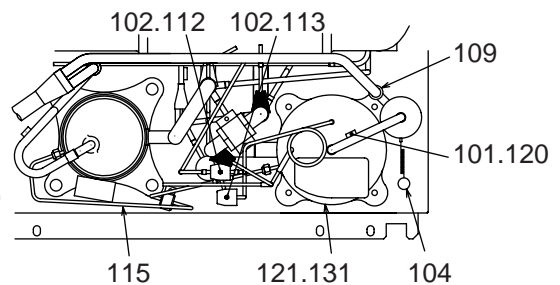
PURY-P400YMF-C
PURY-P500YMF-C
EXTERNAL PARTS



PURY-P400YMF-C
 PURY-P500YMF-C
 FUNCTIONAL PARTS



P400 TYPE



P500 TYPE

PURY-P400,P500YMF-C
FUNCTIONAL PARTS

No.	Part No.	Part Name	Dwg. No.	Q'ty / Set				Spec.	Price
				PURY -P400 YMF-C	PURY -P500 YMF-C				
101	R11 347 865	L.TH spring	U38D120H03	3	3				
102	R61 Y04 243	Solenoid valve coil	P631205X01	3	5			(NEV)<SV1,4a,6a,22,32>	
103	R13 658 276	TH spring	C38D815H01	6	6				
104	R61 Y08 208	Pressure switch ass'y	W872429G02	2	2			<63H1,2>	
105	R61 331 288	Pressure sensor	P419110X01	1	1			<63HS>	
106	R61 Y04 237	Liquid level detecting heater ass'y	W872422G01	1	1			<CH2,3>	
107	R61 Y03 494	Pipe ass'y	W883580G03	1	1				
108	R61 E90 494	Pipe ass'y	W619465G04	1	1				
109	R61 F14 418	Check valve	P639130X01	3	3				
110	R61 E37 154	Four way valve	P633101X01	2	2			VH60100	
111	R61 Y03 242	Four way valve coil	P633078X01	2	2			<21S4a,21S4b>	
112	R61 670 232	Solenoid valve	P631148X01		1			(NEVL-202DXF) <SV22>	
113	R61 435 232	Solenoid valve	P631807X02	3	4			(NEV-202DXF) <SV1,4a,6a,32>	
114	R61 Y04 494	Equalizer ass'y	W633750G02	1					
115	R61 H13 485	Equalizer ass'y	W633751G02		1				
116	R61 Y27 484	Accumulator ass'y	W271344G06	1	1				
117	R61 Y03 487	Oil separator	W266568G02	1	1				
118	R61 F62 425	Capillary tube ass'y	W861175G02	1	1			<1.6X3.2-700>	
119	R61 670 202	Thermistor	P425496X01	6	6			(NTH3A14) <TH3,4,5,6,7,9>	
120	R61 911 202	Thermistor	P425416X02	3	3			<TH10,11,12>	
121	R69 964 478	Scroll compressor	EP10034G02		1			ZEC165YAA-J	
122	R69 962 478	Scroll compressor	EP10013G07	1	1			HEV92FA1-YJ	
123	R61 A42 454	Strainer	W882823G01	3	3			9.52D	
124	R61 155 454	Strainer	W882822G01	3	3			6.35D	
125	R61 Y02 454	Strainer	W858399G02	6	6				
126	R61 A42 287	Sensor cover EVA	P227170X01	2	2			6.35D	
127	R61 A45 287	Sensor cover EVA	P227171X01	1	1			12.7D	
128	R61 F14 413	Check joint	P639131X01	3	3				
129	R61 F14 514	Packing	P321009X01	1	1				
130	R61 Y07 237	Belt heater	P493781X01	2	1			(240V45W) <CH11,12>	
131	R61 Y08 237	Belt heater	P493782X01		1			(240V56W) <CH12>	
132	R61 F14 411	Ball valve	P636219X02	1	1			25.4mm 7/8"	
133	R61 Y04 410	Ball valve	P636254X02	1	1			32.2mm 1 3/8"	
134	R61 G48 401	Linear expansion valve	P632342X01	1	1			DKV-18D124	
135	R61 E66 401	Linear expansion valve coil	P632312X01	1	1			<SLEV>	
136	R69 986 478	Scroll compressor	EP10031G03	1				HE101YAB-J	
137	R61 H50 418	Check valve block ass'y	W264806G02	1	1				
138	R61 800 454	Strainer	W834000H02	2	2				
139	R61 F14 200	Thermistor	P425565X01	1	1			<TH2>	
140	R61 K50 514	Packing	W881519H01	1	1				
141	R61 L85 425	Capillary tube ass'y	W888053G01	1	1			<0.8X2.4-2000>	
142	R61 Y01 232	Solenoid valve	P631230X01	4	4			(SR10DB)<SV3-6>	
143	R61 Y04 232	Solenoid valve block ass'y	P631256X01	1	1			(BSR12TY)<SV7,8>	
144	R61 Y06 243	Solenoid valve coil	P631231X01	6	6			(SR10D)<SV3-8>	
145	R61 G35 288	Pressure sensor	P419129X01	1	1			<63LS>	
146	R61 M54 405	Drier	W894128G03	1	1				
147	R61 Y01 418	Check valve block ass'y	W271363G01	1	1				
148	R61 H35 235	Fasten part for solenoid valve	W887645G01	1	1				
149	R61 H50 232	Solenoid valve block ass'y	W629956G04	1	1				

[No.] : For use with R407C

PURY-P400YMF-C
 PURY-P500YMF-C
 CONTROL BOX PARTS

