

SERVICE PARTS LIST FOR MITSUBISHI ELECTRIC PACKAGED AIR-CONDITIONERS

**Series PQRV-P-YMF-B
PQRV-P-YMF-C**

**REVISED
June. 2003**

INDEX

PQRV-P200YMF-B

PQRV-P250YMF-B

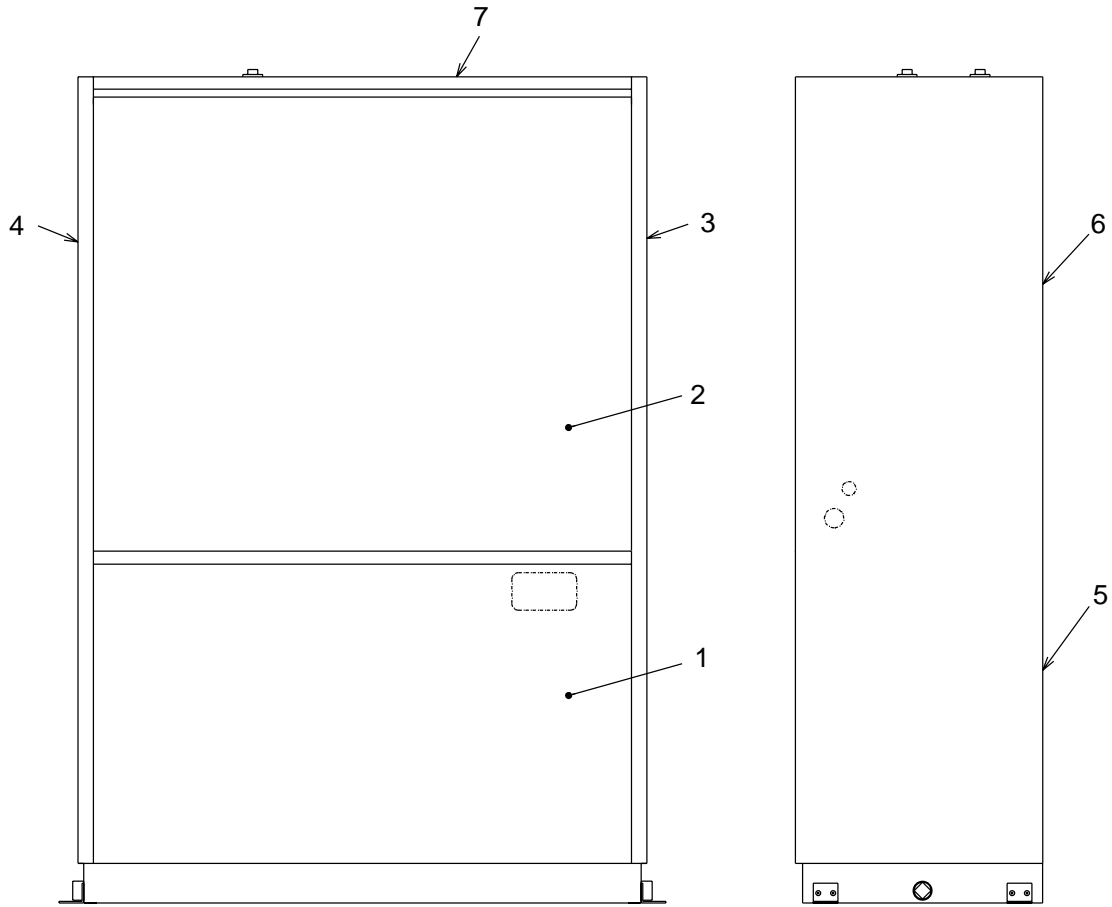
PQRV-P200YMF-C

PQRV-P250YMF-C



PQRY-P200,P250YMF-B
PQRY-P200,P250YMF-C

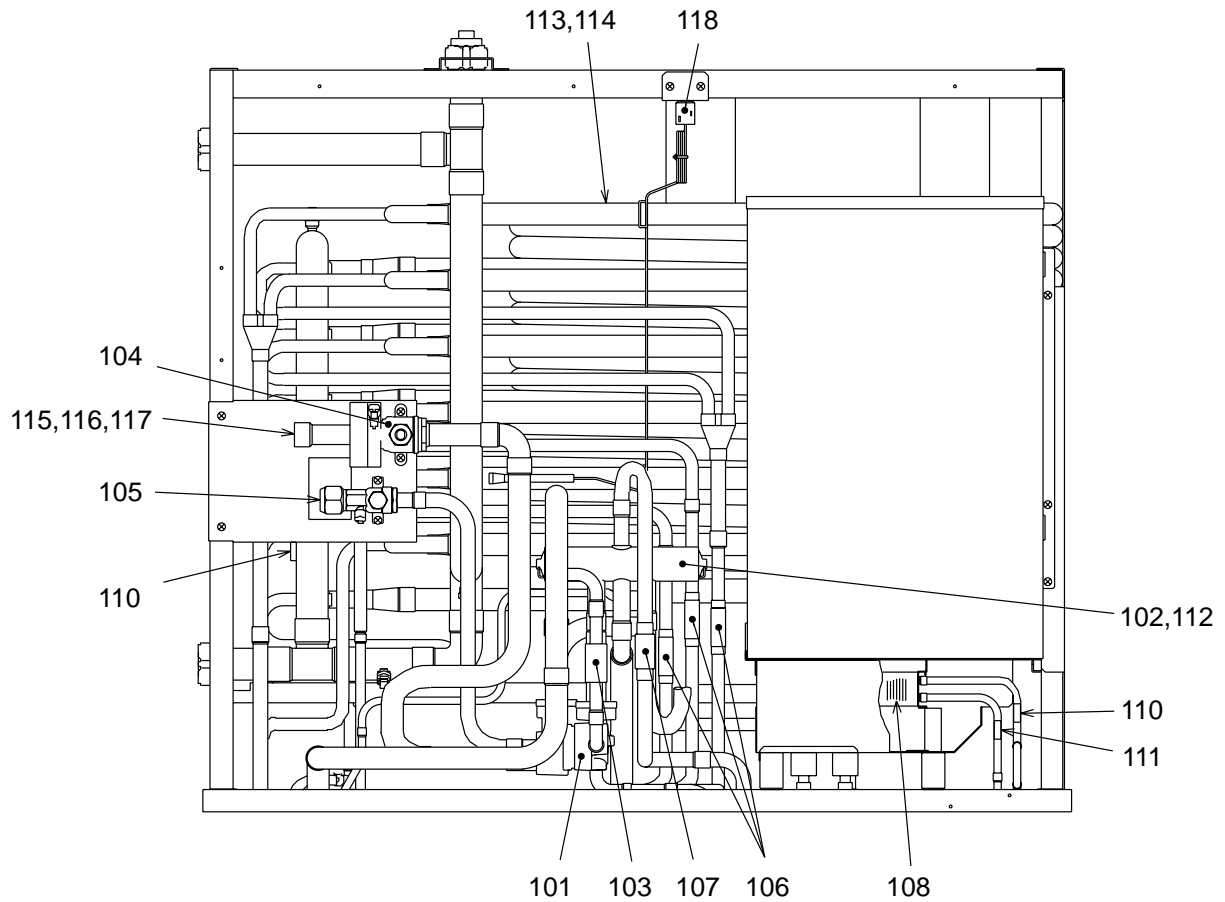
EXTERNAL PARTS



No.	Part No.	Part Name	Spec.	-P200YMF-B	-P250YMF-B	-P200YMF-C	-P250YMF-C			Dwg. No.	Price
1	R61 Y01 646	Front panel 1 ass'y		1	1	1	1			W636733G07	
2	R61 Y02 646	Front panel 2 ass'y		1	1	1	1			W637806G05	
3	R61 Y04 031	Side panel R ass'y		1	1	1	1			W636731G04	
4	R61 Y03 031	Side panel L ass'y		1	1	1	1			W636730G05	
5	R61 Y01 676	Rear panel 1 ass'y		1	1	1	1			W636729G04	
6	R61 Y02 676	Rear panel 2 ass'y		1	1	1	1			W636728G04	
7	R61 Y02 642	Top panel		1	1	1	1			W635450H01	

PQRY-P200,P250YMF-B
PQRY-P200,P250YMF-C

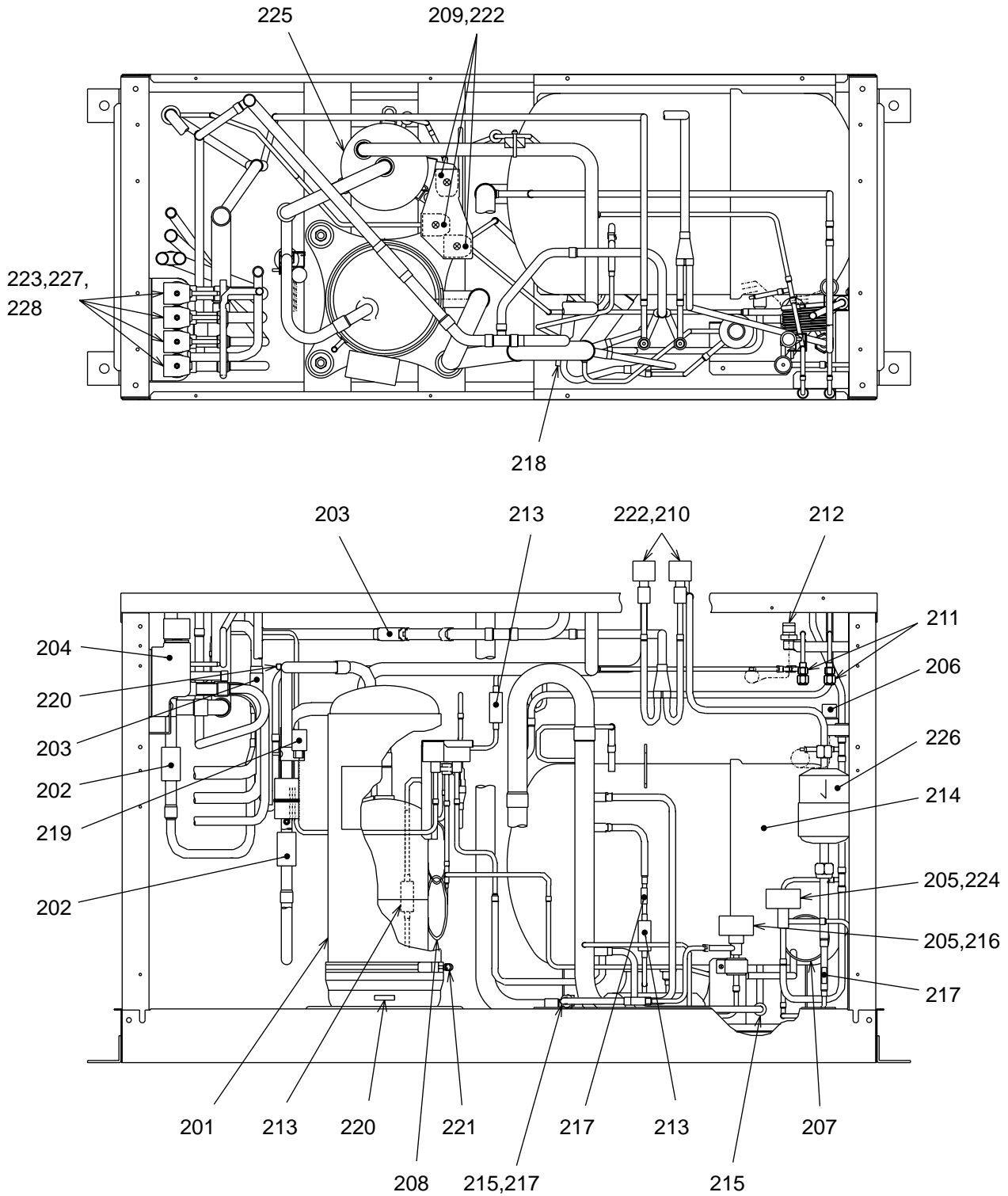
FUNCTIONAL PARTS (1)



No.	Part No.	Part Name	Spec.					Dwg. No.	Price
				-P200YMF-B	-P250YMF-B	-P200YMF-C	-P250YMF-C		
101	R61 H50 418	Check valve block ass'y		1	1	1	1	W264806G02	
102	R61 Y02 154	Four way valve	With a coil	1	1	1	1	W893224G01	
103	R61 F14 418	Check valve		1	1	1	1	P639130X01	
104	R61 F14 411	Ball valve 1frange		1	1	1	1	P636219X02	
105	R61 Y02 410	Ball valve 3/4		1	1	1	1	P636224X01	
106	R61 Y02 454	Strainer		3	3	3	3	W858399G02	
107	R61 800 454	Strainer		1	1	1	1	W834000H02	
108	R61 Y79 480	Heat exchanger		1	1			W636727G01	
109	R61 K89 480	Heat exchanger				1	1	W639813G01	
110	R61 670 202	Thermistor	NTH3A14,<TH6 INV>	2	2	2	2	P425496X01	
111	R61 F14 200	Thermistor	<TH2>	1	1	1	1	P425565X01	
112	R61 Y10 242	Four way valve coil	<21S4>	1	1	1	1	W893225G01	
113	R61 Y80 480	Heat exchanger ass'y		1		1		W267338G03	
114	R61 Y81 480	Heat exchanger ass'y			1		1	W267334G03	
115	R61 E90 494	Pipe ass'y		1		1		W619465G04	
116	R61 E91 494	Pipe ass'y			1		1	W619465G05	
117	R61 F14 514	Packing		1	1	1	1	P321009X01	
118	R61 625 200	Thermostat	<26W>	1	1	1	1	P425296X01	

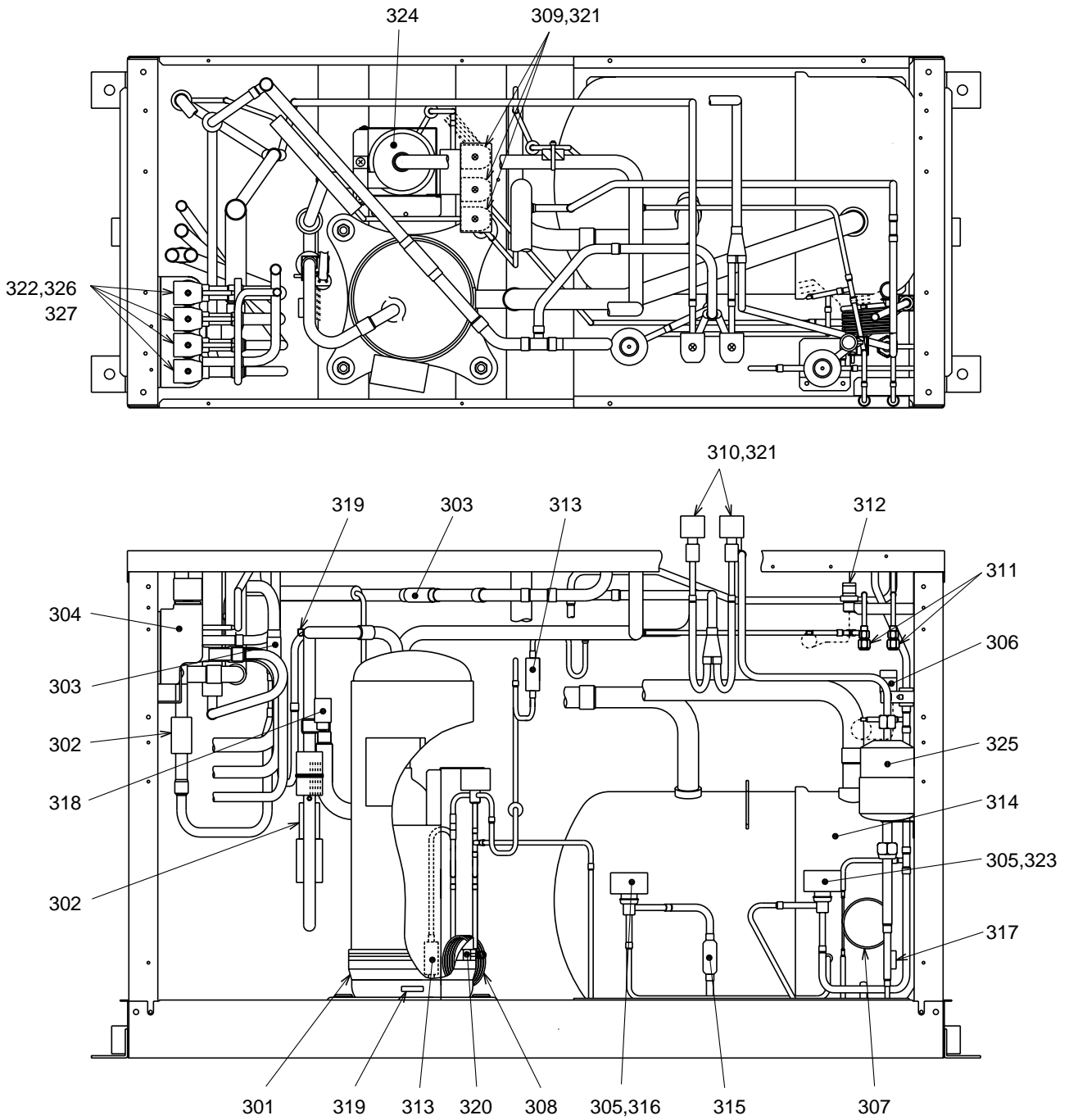
PQRY-P200YMF-B
PQRY-P250YMF-B

FUNCTIONAL PARTS (2)



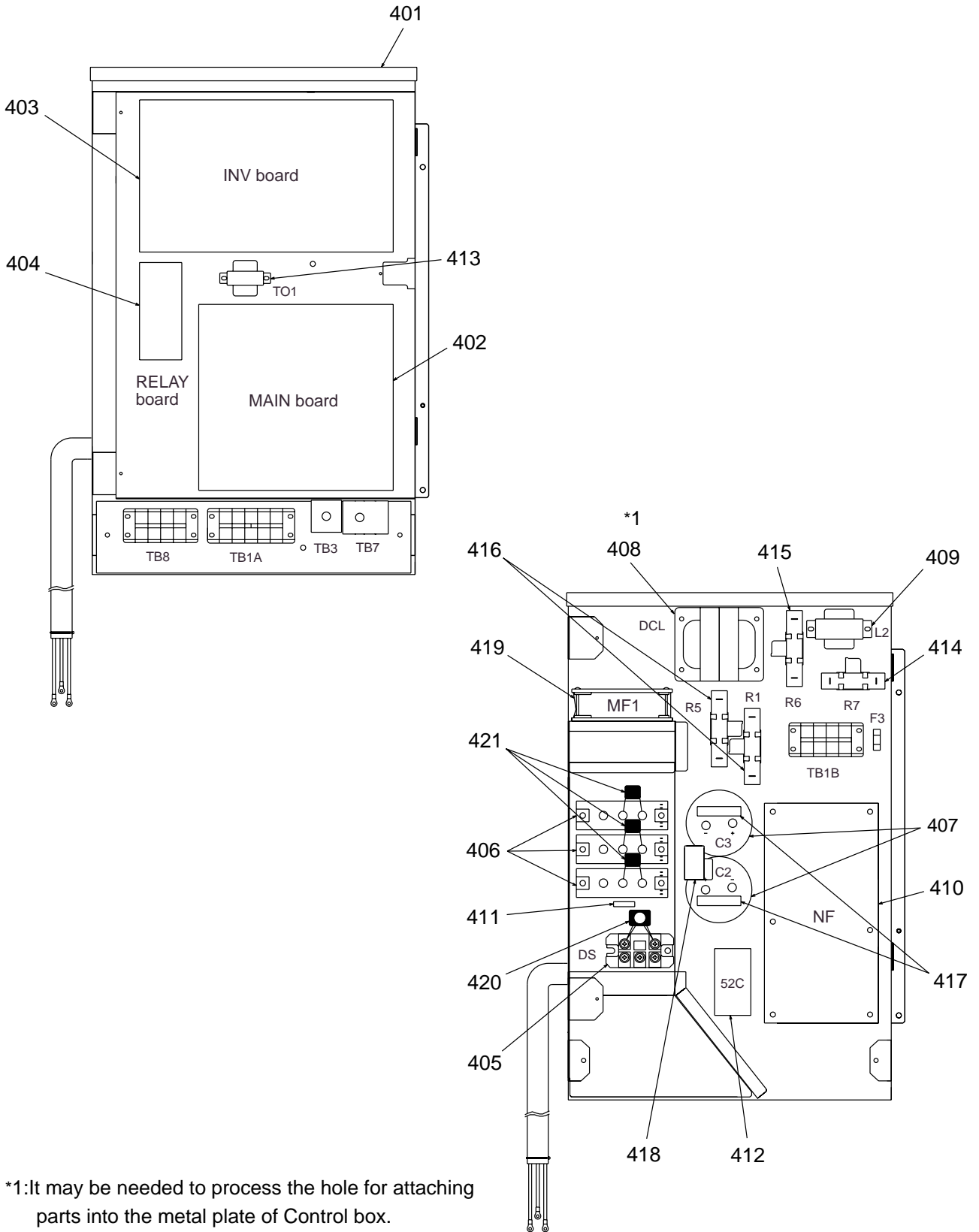
PQRY-P200YMF-C
PQRY-P250YMF-C

FUNCTIONAL PARTS (2)



PQRY-P200YMF-B
 PQRY-P250YMF-B

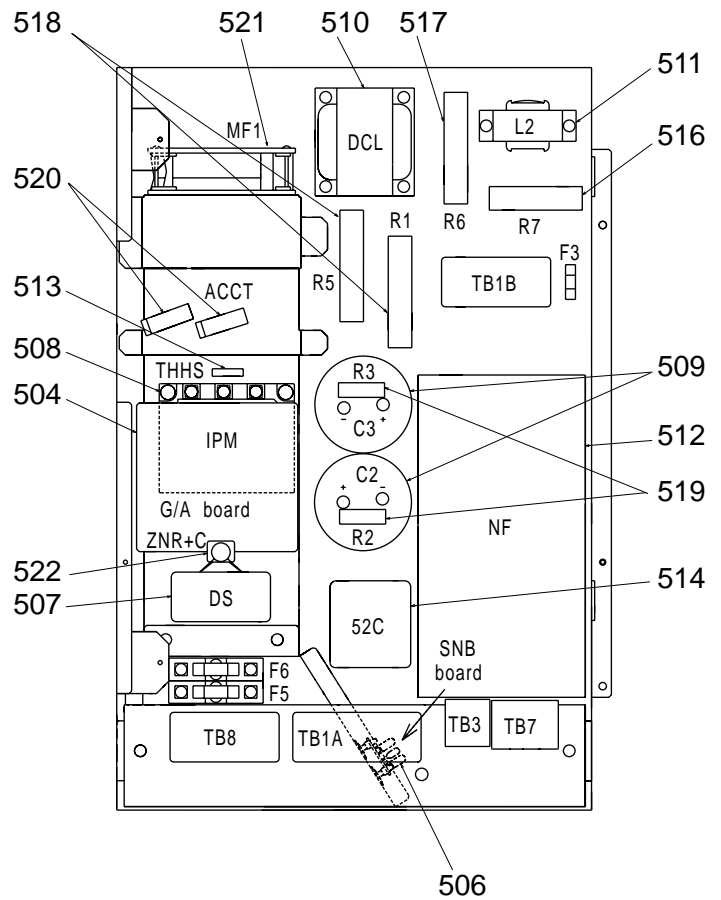
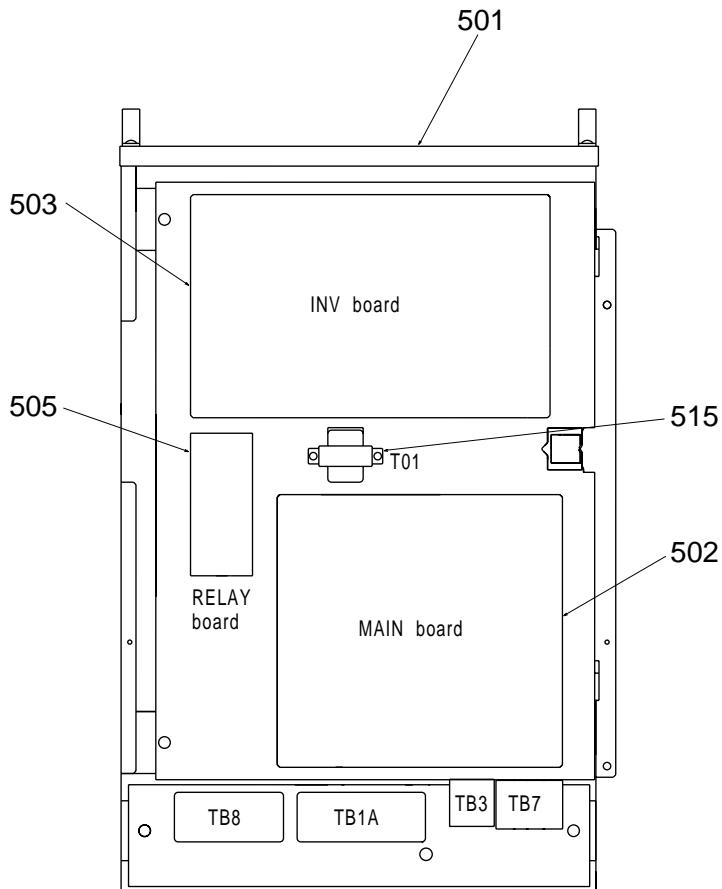
CONTROL BOX PARTS



*1:It may be needed to process the hole for attaching parts into the metal plate of Control box.

PQRY-P200YMF-C
 PQRY-P250YMF-C

CONTROL BOX PARTS



PQRY-P200YMF-C
 PQRY-P250YMF-C

CONTROL BOX PARTS

No.	Part No.	Part Name	Spec.	-P200YMF-C	-P250YMF-C					Dwg. No.	Price
501	R61 Y16 321	Control box(INV)		1	1					W266294G07	
502	R61 Y83 280	Main board		1	1					W266235G24	
503	R61 Y67 280	INV board		1	1					W639915G01	
504	R61 Y66 280	G/A board		1	1					W639914G01	
505	R61 Y55 280	RELAY board		1	1					W629574G01	
506	R61 Y20 281	SNB board		1	1					W629557G03	
507	R61 Y12 320	Diode	DF60LB160	1	1					W876941G06	
508	R61 Y04 249	IPM	6MBP50RA120	1	1					W848413G10	
509	R61 Y18 252	Capacitor	400WV,4700uF <C2,3>	2	2					P412265X01	
510	R61 Y01 259	Reactor	1.92mH/34A <DCL>	1	1					P419149X01	
511	R61 Y02 244	Choke coil	1A,30mH	1	1					P419121X01	
512	R61 Y09 293	NF VF4030C-MX2		1	1					W893513G01	
513	R61 F14 201	Thermistor	181-503-97128	1	1					P414095X01	
514	R61 Y28 225	Magnet contactor	PAK-21J	1	1					S427020H12	
515	R61 Y14 260	Transformer	240V/40V <T1>	1	1					P715302X01	
516	R61 670 234	Resistor	30W 22Ω <R7>	1	1					P411113X01	
517	R61 E69 234	Resistor	40W 110Ω <R6>	1	1					P411131X01	
518	R61 Y05 234	Resistor	40W 5kΩ<R1,5>	2	2					P411133X01	
519	R61 Y02 234	Resistor	10W 33kΩ pitch =32 <R2,3>	2	2					P411126X01	
520	R61 Y02 249	ACCT	DJ-6	1	1					W639917G01	
521	R61 Y02 300	Fan	109S025UL	1	1					P712360X01	
522	R61 L85 252	ZNR+C		1	1					W886345G01	

