

SERVICE PARTS LIST FOR MITSUBISHI ELECTRIC PACKAGED AIR-CONDITIONERS

**Series PLFY-P-VLMD-B
CMP-VLW-B**

Mar. 2003

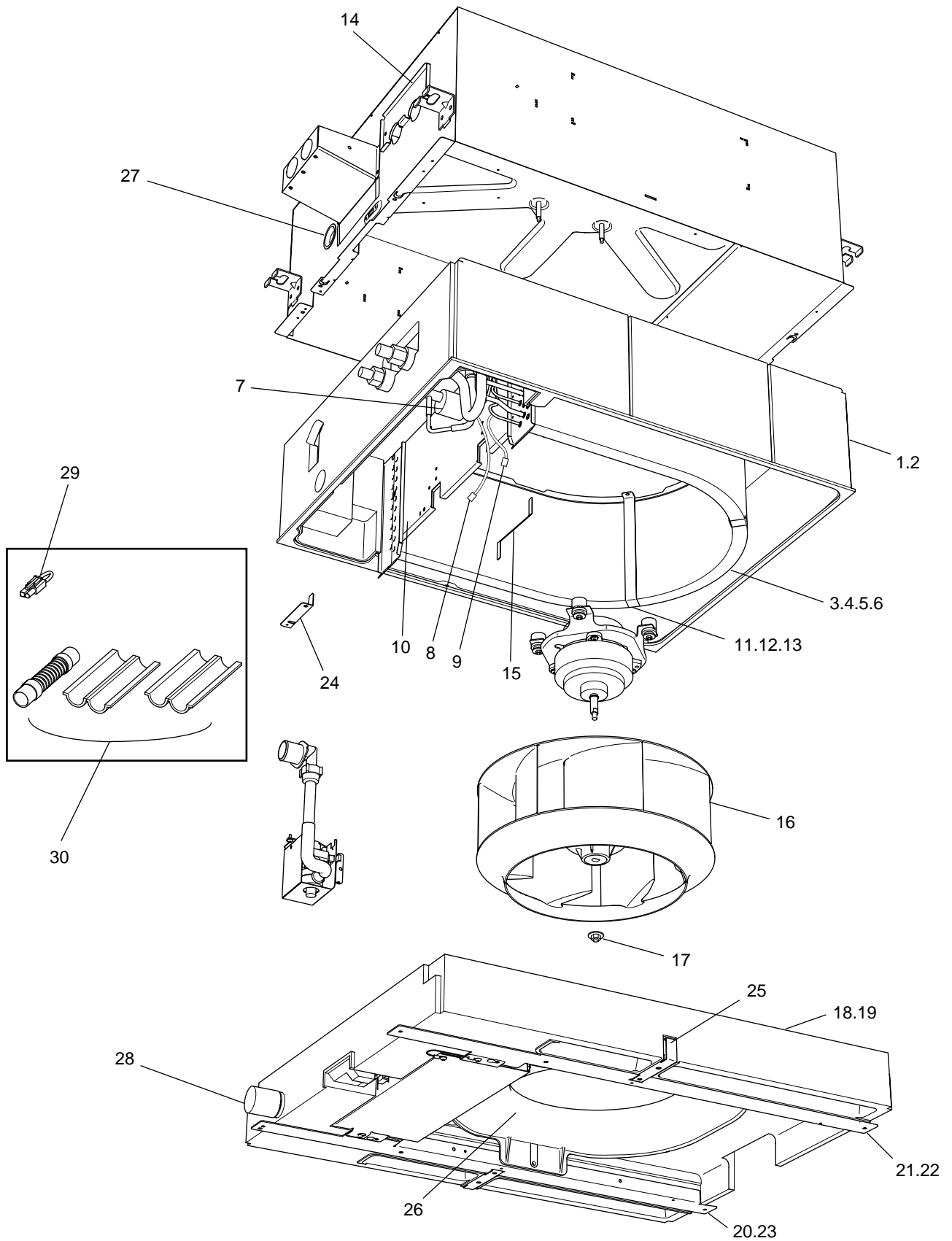
For use with the R407C

INDEX

**PLFY-P20VLMD-B
PLFY-P25VLMD-B
PLFY-P32VLMD-B
PLFY-P40VLMD-B
PLFY-P50VLMD-B
PLFY-P63VLMD-B
CMP-40VLW-B
CMP-63VLW-B**

PLFY-P20,P25,P32VLMD-B
PLFY-P40,P50,P63VLMD-B

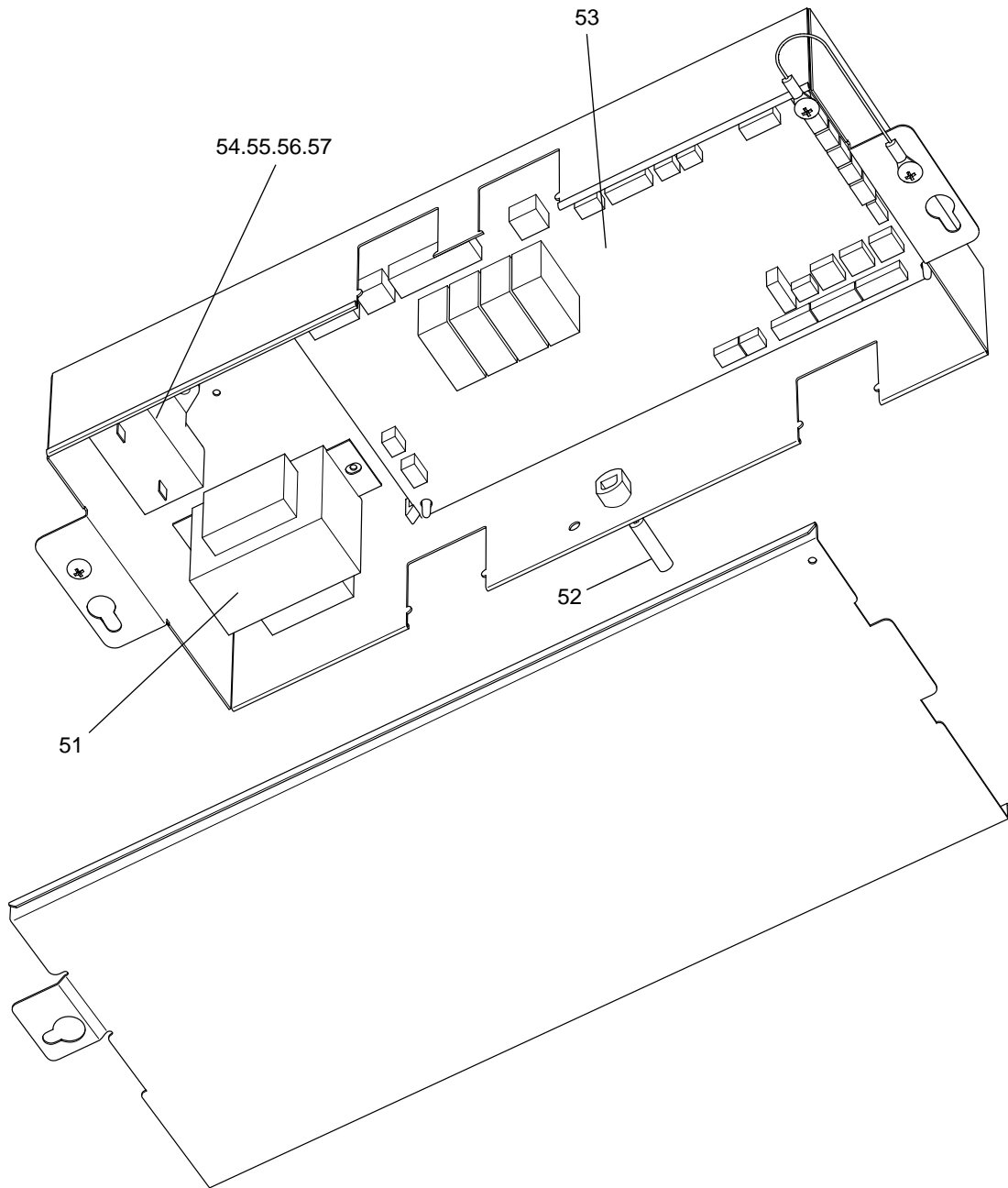
EXTERNAL PARTS



No.	Part No.	Part Name	Spec.	-P20VLMD-B	-P25VLMD-B	-P32VLMD-B	-P40VLMD-B	-P50VLMD-B	-P63VLMD-B	Dwg. No.	Price
1	R61 M91 111	Casing 45		1	1	1	1			W645465G05	
2	R61 M93 112	Casing 71						1	1	W645465G06	
3	R61 M91 480	Heat exchanger ass'y 22.28		1	1					W126406G06	
4	R61 M92 480	Heat exchanger ass'y 36.45				1	1			W126407G12	
5	R61 M93 480	Heat exchanger ass'y 56						1		W126407G13	
6	R61 M94 480	Heat exchanger ass'y 71							1	W126433G06	
7	R61 M91 401	Linear expansion valve	EDM40YH	1	1	1	1	1	1	P632388X02	
8	R61 M91 288	Sensor (gas)		1	1	1	1	1	1	W891304G10	
9	R61 M91 289	Sensor (liquid)		1	1	1	1	1	1	W891304G11	
10	R61 M91 660	Coil center plate		1	1	1	1	1	1	W892109G04	
11	R61 M91 667	Heat exchanger support plate	1	2	2					W890725H01	
12	R61 M92 667	Heat exchanger support plate	2			2	2	2		W890725H02	
13	R61 M94 667	Heat exchanger support plate	3						2	W890725H03	
14	R61 M92 668	Pipe cover		1	1	1	1	1	1	W892112G01	
15	R61 M93 667	Plate		2	2	2	2	2	2	W892176H03	
16	R61 M91 114	Turbo fan ass'y		1	1	1	1	1	1	W646604G01	
17	R61 M91 122	Washer nut	(M8)	1	1	1	1	1	1	W897146H01	
18	R61 M91 529	Drain pan 45		1	1	1	1			W645439G07	
19	R61 M92 529	Drain pan 71						1	1	W645439G08	
20	R61 M91 669	Reinforcement		1	1	1	1			W894823G01	
21	R61 M93 669	Reinforcement						1	1	W894823G04	
22	R61 M92 669	Reinforcement		1	1	1	1			W894823G02	
23	R61 M94 669	Reinforcement						1	1	W894823G03	
24	R61 M91 663	Side frame plate		1	1	1	1	1	1	W890726H01	
25	R61 M91 661	Plate ass'y		2	2	2	2	2	2	W892182G04	
26	R61 M91 119	Bell mouth		1	1	1	1	1	1	W126449H02	
27	R61 M91 812	Cap		1	1	1	1	1	1	W860093G01	
28	R61 E96 558	Rubber stopper		1	1	1	1	1	1	P312040X01	
29	R61 H28 275	Connector ass'y		1	1	1	1	1	1	W860080G02	
30	R61 Y01 525	Drain hose set		1	1	1	1	1	1	W650735G01	

PLFY-P20,P25,P32VLMD-B
 PLFY-P40,P50,P63VLMD-B

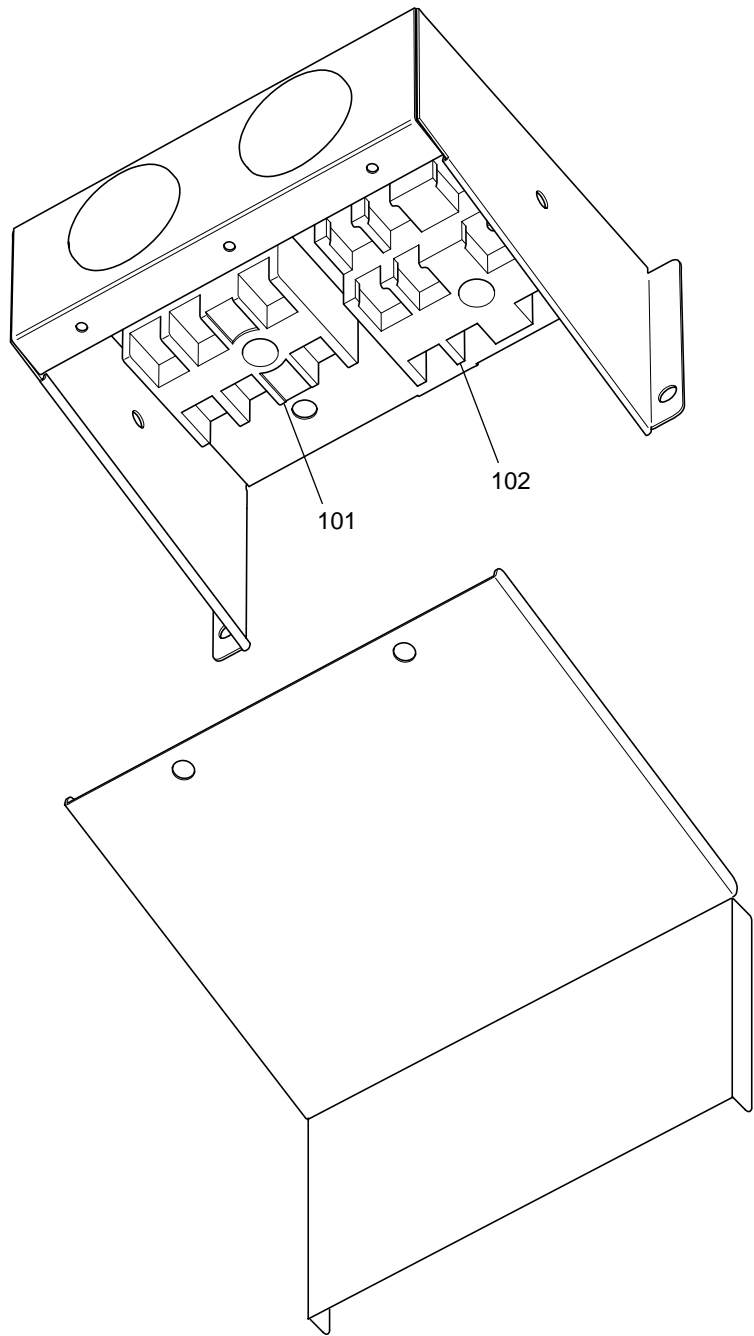
CONTROL BOX PARTS (1)



No.	Part No.	Part Name	Spec.							Dwg. No.	Price
				-P20VLMD-B	-P25VLMD-B	-P32VLMD-B	-P40VLMD-B	-P50VLMD-B	-P63VLMD-B		
51	R61 Y24 260	Transformer	T 240V/23.2V-1.1AXA	1	1	1	1	1	1	P715363X01	
52	R61 Y01 287	Sensor (inlet)		1	1	1	1	1	1	W891304G16	
53	R61 Y99 280	Control board		1	1	1	1	1	1	W254682G11	
54	R61 Y22 252	Condenser 1.3 μ F	440VAC 1.3 μ F	1	1	1				P412283X01	
55	R61 Y14 252	Condenser 1.5 μ F	440VAC 1.5 μ F				1			P412234X01	
56	R61 Y23 252	Condenser 1.7 μ F	440VAC 1.7 μ F					1		P412280X01	
57	R61 M92 252	Condenser 2.2 μ F	440VAC 2.2 μ F						1	P412282X01	

PLFY-P20,P25,P32VLMD-B
 PLFY-P40,P50,P63VLMD-B

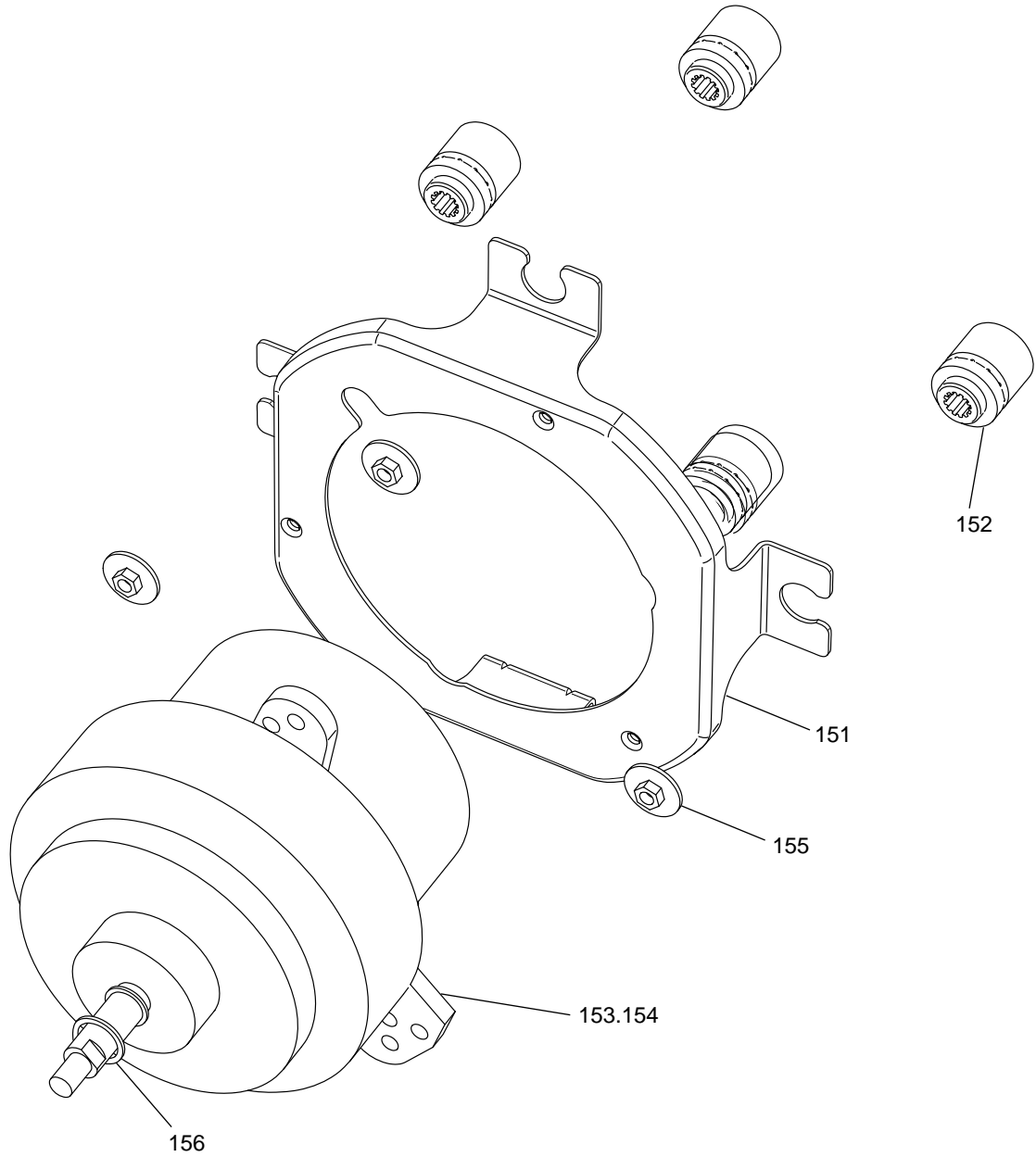
CONTROL BOX PARTS (2)



No.	Part No.	Part Name	Spec.							Dwg. No.	Price
				-P20VLMD-B	-P25VLMD-B	-P32VLMD-B	-P40VLMD-B	-P50VLMD-B	-P63VLMD-B		
101	R61 Y08 715	Terminal bed		1	1	1	1	1	1	P436157X01	
102	R61 336 246	Terminal bed	PAK-35JT-F	1	1	1	1	1	1	P436114X03	

PLFY-P20,P25,P32VLMD-B
 PLFY-P40,P50,P63VLMD-B

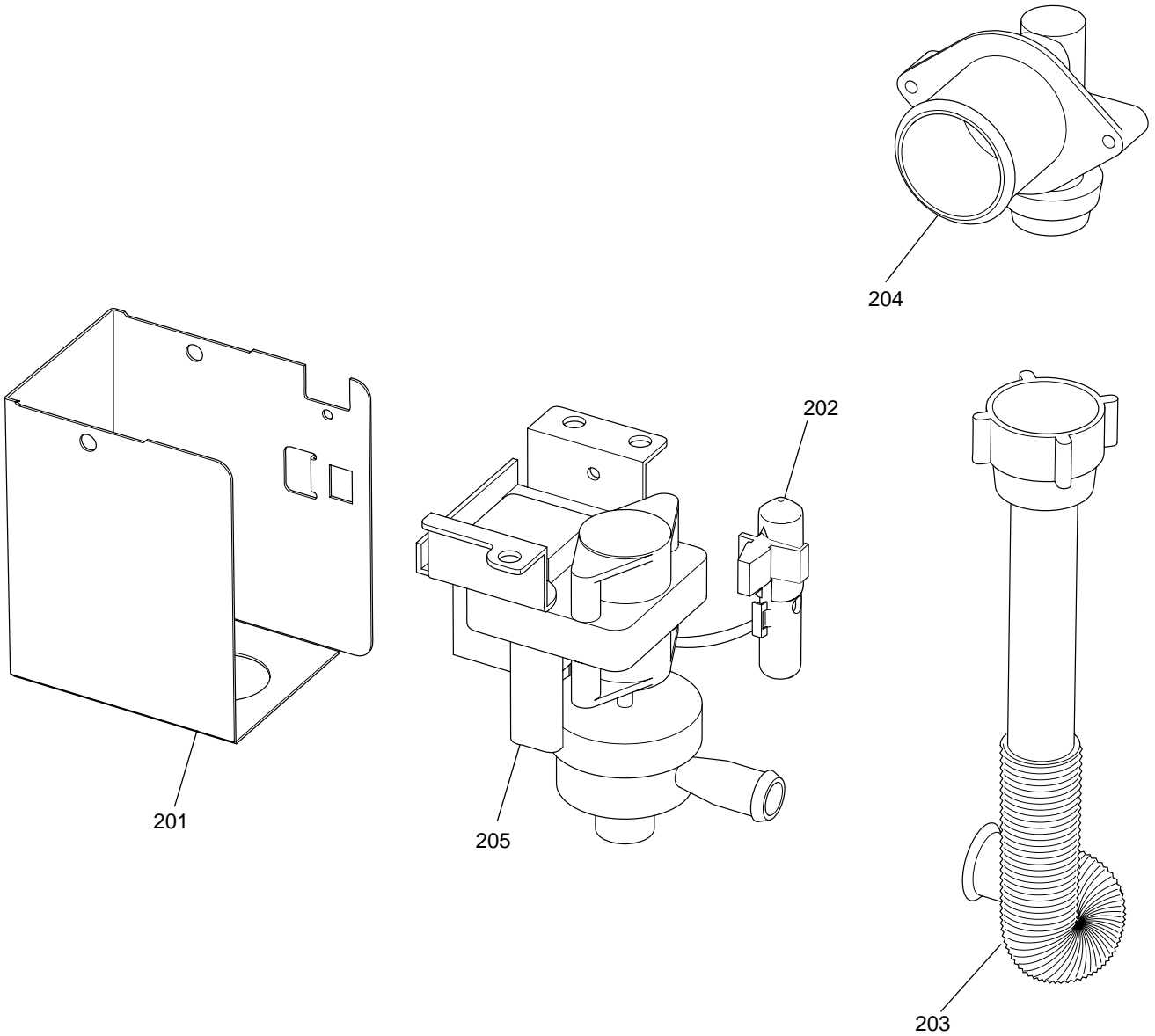
BLOWER PARTS



No.	Part No.	Part Name	Spec.							Dwg. No.	Price
				-P20VLMD-B	-P25VLMD-B	-P32VLMD-B	-P40VLMD-B	-P50VLMD-B	-P63VLMD-B		
151	R61 M91 131	Motor plate		1	1	1	1	1	1	W645053H01	
152	R61 M91 130	Motor mount		4	4	4	4	4	4	W893009H01	
153	R61 M91 220	Motor P15MW		1	1	1	1			P714836X01	
154	R61 M93 220	Motor P20MW						1	1	P714837X02	
155	R40 491 314	Washer nut	(M5)	4	4	4	4	4	4	W840920H01	
156	R61 M91 136	Washer		1	1	1	1	1	1	W897145H01	

PLFY-P20,P25,P32VLMD-B
 PLFY-P40,P50,P63VLMD-B

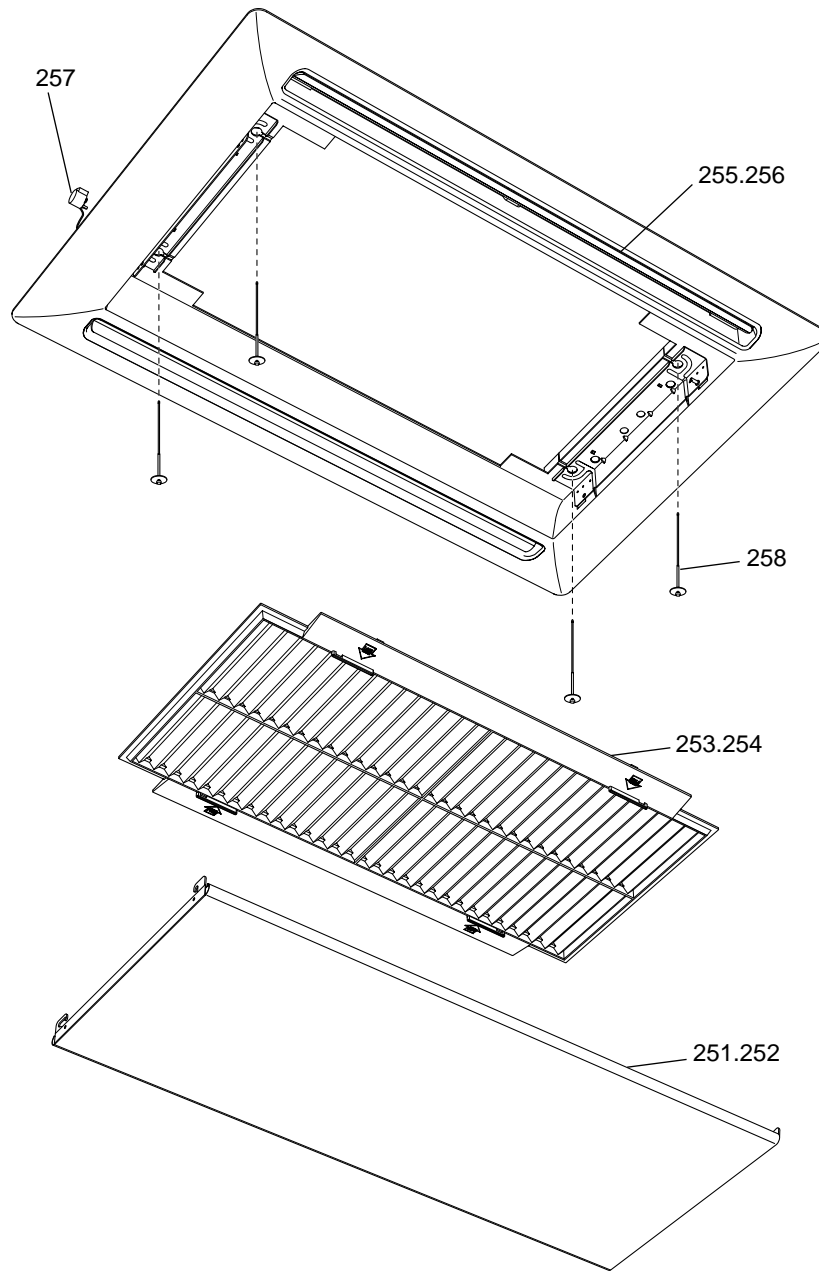
DRAIN PUMP PARTS



No.	Part No.	Part Name	Spec.	-P20VLMD-B	-P25VLMD-B	-P32VLMD-B	-P40VLMD-B	-P50VLMD-B	-P63VLMD-B	Dwg. No.	Price
201	R61 M91 668	Drain pump cover		1	1	1	1	1	1	W645424H02	
202	R61 M91 287	Drain sensor		1	1	1	1	1	1	W861228G07	
203	R61 E38 527	Hose for pump LVD		1	1	1	1	1	1	P645057X02	
204	R61 A75 218	Socket		1	1	1	1	1	1	W621301H01	
205	R61 Y05 539	Drain pump ADP-0708		1	1	1	1	1	1	P722089X01	

CMP-40VLW-B
 CMP-63VLW-B

PANEL PARTS (OPTION)



No.	Part No.	Part Name	Spec.	-40VLW-B	-63VLW-B					Dwg. No.	Price
251	R61 M95 651	Service panel ass'y 45		1						W645049G01	
252	R61 M96 651	Service panel ass'y 71			1					W645049G02	
253	R61 M95 500	Filter 45		1						W270911H07	
254	R61 M96 500	Filter 71			1					W270911H08	
255	R61 M95 679	Louver ass'y 45		2						W645431G01	
256	R61 M96 679	Louver ass'y 71			2					W645431G02	
257	R61 M95 220	Motor	(vane MP20EA)	2	2					P714816X01	
258	R61 E44 306	Step screw	(M5)	4	4					W861255H01	

