

December 2012

No. OC307

REVISED EDITION-E

TECHNICAL & SERVICE MANUAL

Series PMFY Ceiling Cassettes R410A

Indoor unit
[Model names]
[Service Ref.]

PMFY-P20VBM-E

PMFY-P20VBM-E
PMFY-P20VBM-E₁
PMFY-P20VBM-E#2
PMFY-P20VBM-ER3
PMFY-P20VBM-ER4

PMFY-P25VBM-E

PMFY-P25VBM-E
PMFY-P25VBM-E₁
PMFY-P25VBM-E#2
PMFY-P25VBM-ER3
PMFY-P25VBM-ER4

PMFY-P32VBM-E

PMFY-P32VBM-E
PMFY-P32VBM-E₁
PMFY-P32VBM-E#2
PMFY-P32VBM-ER3
PMFY-P32VBM-ER4

PMFY-P40VBM-E

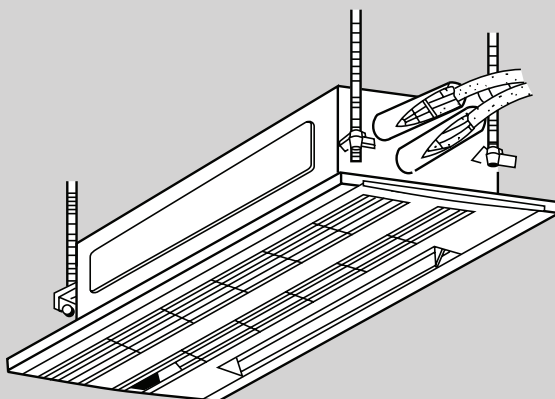
PMFY-P40VBM-E
PMFY-P40VBM-E₁
PMFY-P40VBM-E#2
PMFY-P40VBM-ER3
PMFY-P40VBM-ER4
Revision:

- PMFY-P20/25/32/40VBM-ER4 have been added in REVISED EDITION-E.
- Some descriptions have been modified.

- Please void OC307 REVISED EDITION-D.

Note:

- This manual describes only service data of the indoor units.
- RoHS compliant products have <G> mark on the spec name plate.
- For servicing RoHS compliant products, refer to the RoHS Parts List.



INDOOR UNIT

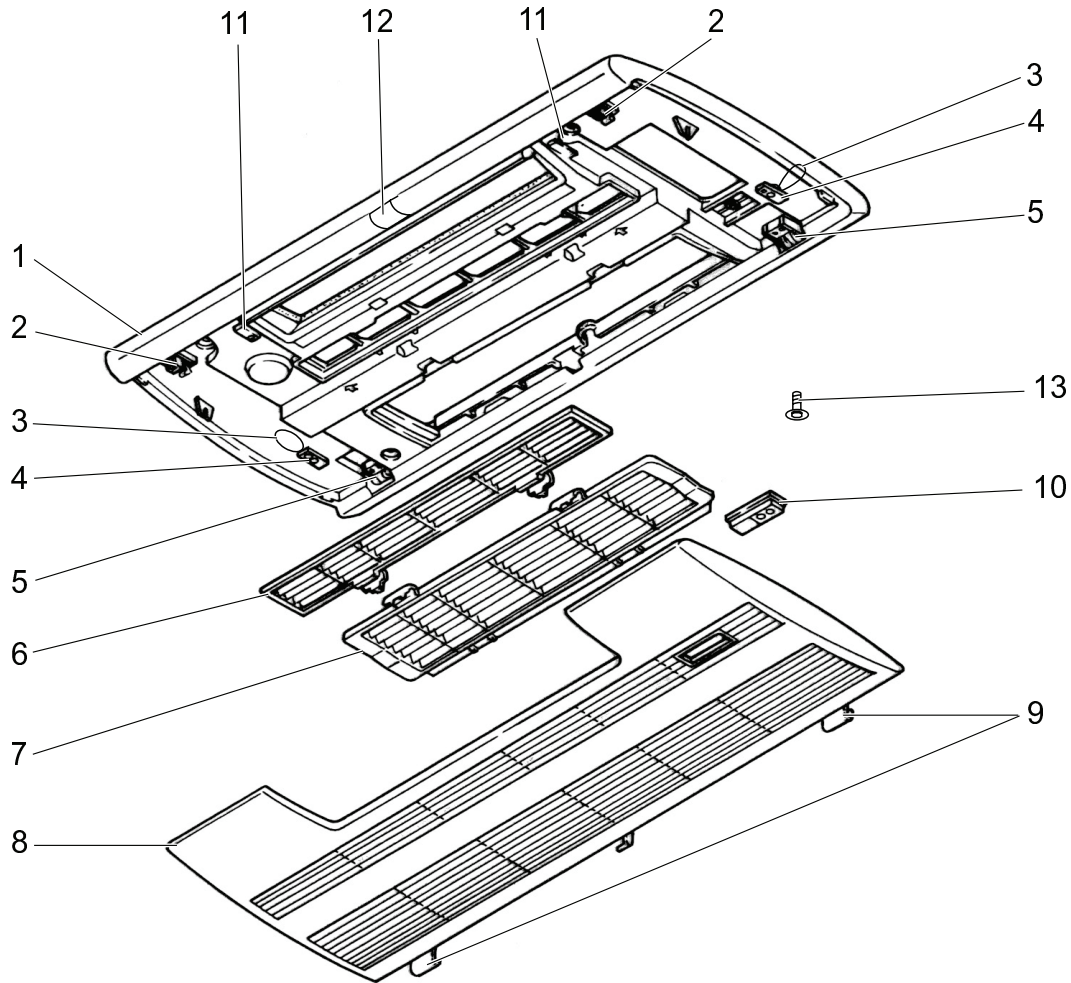
CONTENTS

1. TECHNICAL CHANGES.....	2
2. SAFETY PRECAUTION	3
3. PART NAMES AND FUNCTIONS	5
4. SPECIFICATIONS	12
5. OUTLINES AND DIMENSIONS	16
6. WIRING DIAGRAM.....	17
7. REFRIGERANT SYSTEM DIAGRAM	21
8. TROUBLE SHOOTING.....	22
9. DISASSEMBLY PROCEDURE.....	32
10. RoHS PARTS LIST.....	36

PANEL PARTS

PMP-40BM (FOR PMFY-P20/25/32/40VBM-E⁽¹⁾)

PMP-40BMW (FOR PMFY-P20/25/32/40VBM-E#2, PMFY-P20/25/32/40VBM-ER3, PMFY-P20/25/32/40VBM-ER4)

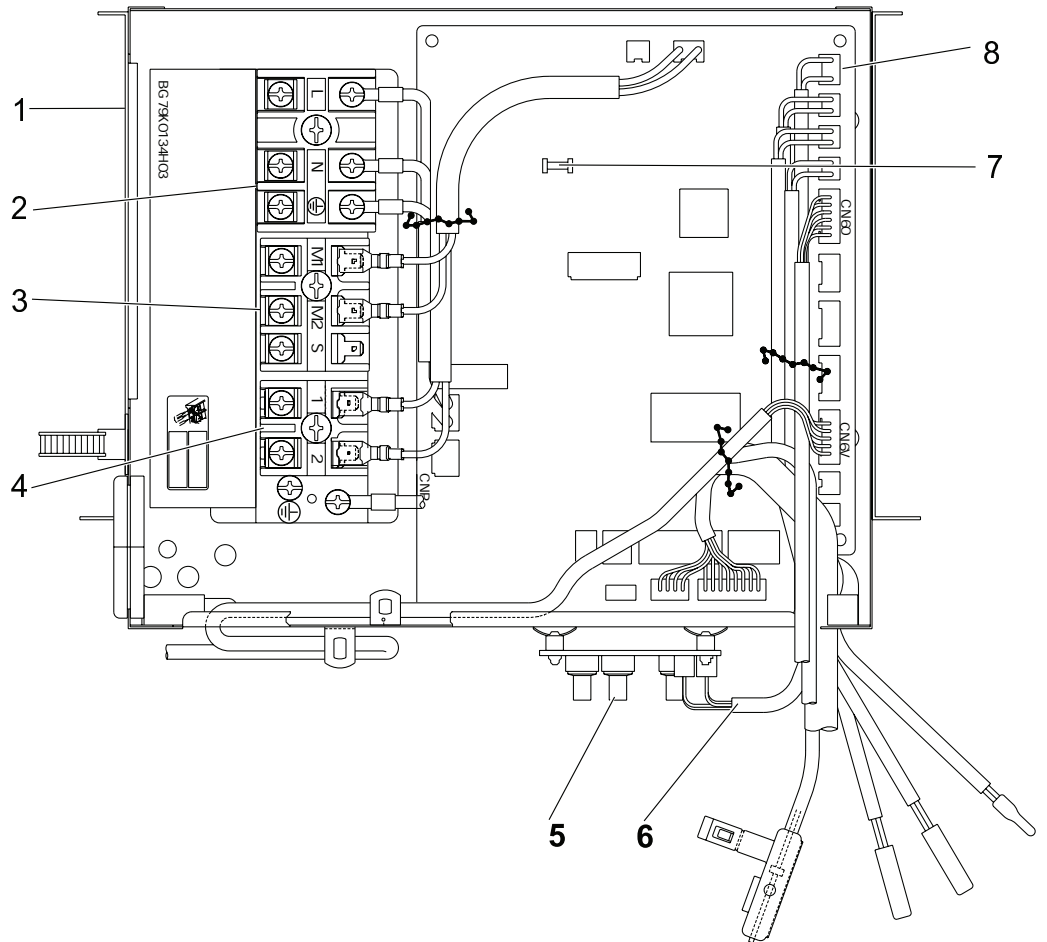


No.	ROHS	Part No.	Part Name	Specification	Q'ty/set		Remarks (Drawing No.)	Wiring Diagram Symbol	Recom- mended Q'ty
					PMP- 40BM	PMP- 40BMW			
1	G	T7W E16 003	AIR OUTLET GRILLE		1				
	G	T7W E22 003	AIR OUTLET GRILLE			1			
2	G	R01 E01 055	LATCH		2	2			
3	G	—	HANGER		2	2	(DT88D360H03)		
4	G	R01 E01 099	PANEL HOOK		2	2			
5	G	R01 E07 054	GRILLE CATCH		2	2			
6	G	R01 E14 500	L.L.FILTER		1	1			
7	G	R01 E15 500	L.L.FILTER		1	1			
8	G	T7W E04 691	INTAKE GRILLE		1				
	G	T7W E06 691	INTAKE GRILLE			1			
9	G	R01 E06 054	GRILLE CATCH		2	2			
10	G	R01 E01 648	RECEIVER COVER		1	1			
11	G	R01 E01 044	MAGNET		2	2			
12	G	R01 E04 096	SCREW CAP		1				
	G	R01 E07 096	SCREW CAP			1			
13	G	R01 E03 673	SCREW ASSY		1	1	for PANEL		

RoHS PARTS LIST

ELECTRICAL PARTS

- PMFY-P20VBM-E
- PMFY-P25VBM-E
- PMFY-P32VBM-E
- PMFY-P40VBM-E
- PMFY-P20VBM-E₁
- PMFY-P25VBM-E₁
- PMFY-P32VBM-E₁
- PMFY-P40VBM-E₁
- PMFY-P20VBM-E#2
- PMFY-P25VBM-E#2
- PMFY-P32VBM-E#2
- PMFY-P40VBM-E#2
- PMFY-P20VBM-ER3
- PMFY-P25VBM-ER3
- PMFY-P32VBM-ER3
- PMFY-P40VBM-ER3
- PMFY-P20VBM-ER4
- PMFY-P25VBM-ER4
- PMFY-P32VBM-ER4
- PMFY-P40VBM-ER4

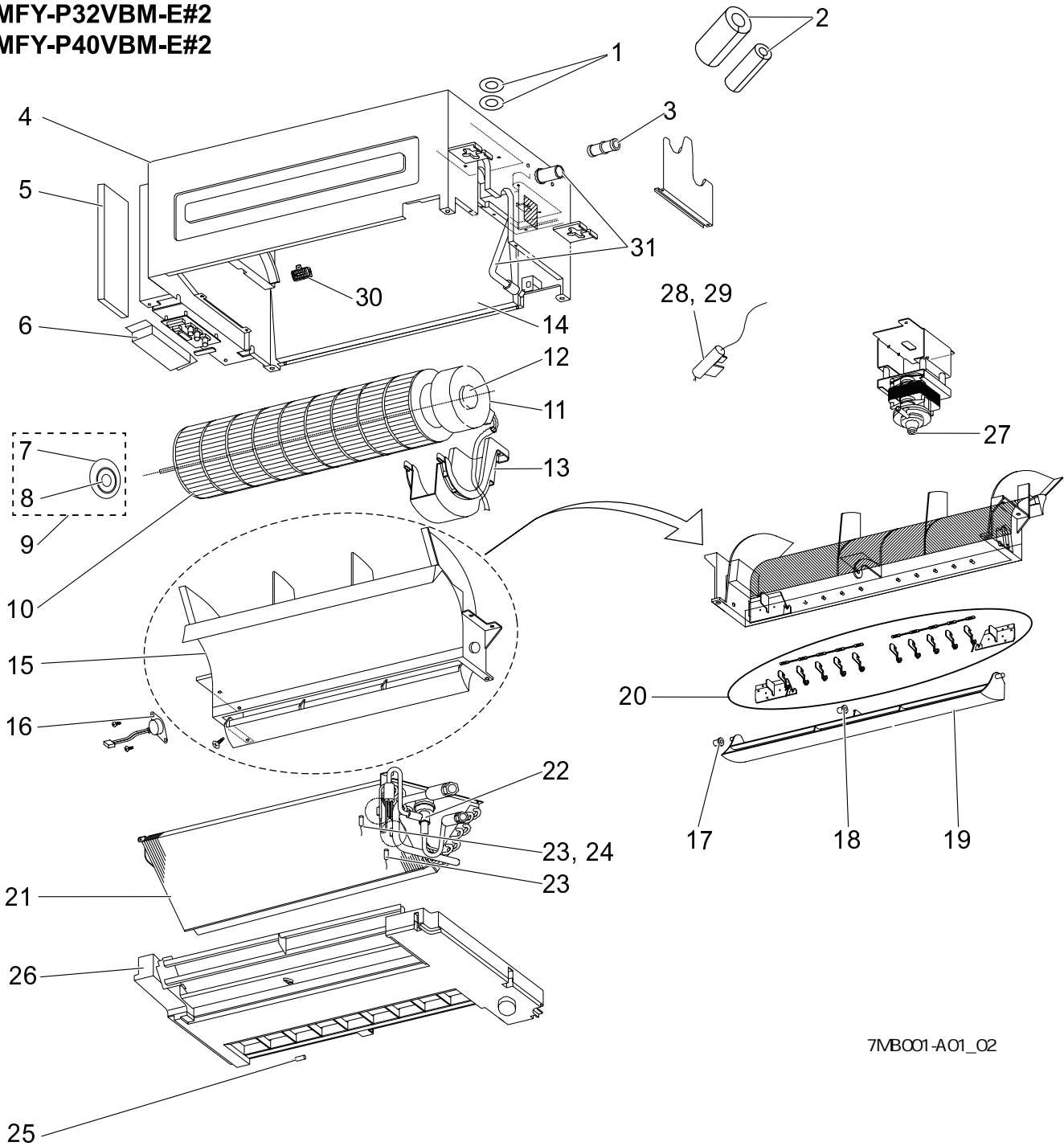


No.	RoHS	Part No.	Part Name	Specification	Q'ty/set					Remarks (Drawing No.)	Wiring Diagram Symbol
					PMFY-P20/25/32/40						
					VBM-E	VBM-E ₁	VBM-E#2	VBM-ER3	VBM-ER4		
1	G	—	CONTROL BOX		1	1	1	1	1	(RG02B337G26)	
2	G	T7W E32 716	TERMINAL BLOCK	3P (L,N,⊕)	1	1	1	1	1		TB2
3	G	T7W E35 716	TERMINAL BLOCK	3P (M1,M2,S)	1	1	1	1	1		TB5
4	G	R01 E44 246	TERMINAL BLOCK	2P (1,2)	1	1	1	1	1		TB15
5	G	T7W E01 294	ADDRESS BOARD		1	1	1	1	1		A.B
6	G	R01 E10 304	CABLE ASSY		1	1	1	1	1		
7	G	R01 E06 239	FUSE	250V 6.3A	1	1	1	1	1		FUSE
8	G	T7W E66 310	INDOOR CONTROLLER BOARD		1	1					I.B
	G	R01 V84 310	INDOOR CONTROLLER BOARD				1	1			I.B
	G	T7W C09 310	INDOOR CONTROLLER BOARD						1		I.B

RoHS PARTS LIST

FUNCTIONAL PARTS

- | | |
|----------------------------|-----------------|
| PMFY-P20VBM-E | PMFY-P20VBM-ER3 |
| PMFY-P25VBM-E | PMFY-P25VBM-ER3 |
| PMFY-P32VBM-E | PMFY-P32VBM-ER3 |
| PMFY-P40VBM-E | PMFY-P40VBM-ER3 |
| PMFY-P20VBM-E ₁ | PMFY-P20VBM-ER4 |
| PMFY-P25VBM-E ₁ | PMFY-P25VBM-ER4 |
| PMFY-P32VBM-E ₁ | PMFY-P32VBM-ER4 |
| PMFY-P40VBM-E ₁ | PMFY-P40VBM-ER4 |
| PMFY-P20VBM-E#2 | |
| PMFY-P25VBM-E#2 | |
| PMFY-P32VBM-E#2 | |
| PMFY-P40VBM-E#2 | |



7MB001-A01_02

RoHS PARTS LIST

No.	RoHS	Part No.	Part Name	Specification	Q'ty/set								Remarks (Drawing No.)	Wiring Diagram Symbol		
					PMFY-P											
					VBM-E		VBM-E1		VBM-E#2		VBM-ER3				VBM-ER4	
					20,25	32,40	20,25	32,40	20,25	32,40	20,25	32,40			20,25	32,40
1	G	R01 E13 097	WASHERS SET									1	1			
2	G	R01 E05 660	PIPE COVERS SET									1	1			
3	G	R01 18J 523	JOINT SOCKET							1	1	1	1			
4	G	—	CABINET		1	1	1	1	1	1	1	1	1	(DT00A478GB8)		
5	G	—	CONTROL BOX COVER		1	1	1	1	1	1	1	1	1	(RG02B668H01)		
6	G	—	ADDRESS BOARD COVER		1	1	1	1	1	1	1	1	1	(RG02L277H02)		
7	G	R01 23A 102	BEARING MOUNT		1	1	1	1	1	1	1					
8	G	R01 E04 103	SLEEVE BEARING		1	1	1	1	1	1	1					
9	G	T7W E00 103	BEARING									1	1	BEARING & MOUNT SET		
10	G	R01 E32 114	LINE FLOW FAN		1	1	1	1	1	1	1	1	1			
11	G	R01 E24 220	FAN MOTOR		1	1									MF	
	G	R01 E45 220	FAN MOTOR				1	1							MF	
	G	R01 E49 220	FAN MOTOR						1	1	1	1	1		MF	
12	G	R01 E13 105	MOTOR MOUNT		1	1	1	1	1	1	1	1	1	LEFT & RIGHT		
13	G	R01 E35 130	MOTOR SUPPORT		1	1	1	1	1	1	1	1	1			
14	G	R01 E05 110	CASING		1	1	1	1	1	1	1	1	1			
15	G	R01 E01 079	STABILIZER ASSY		1	1	1	1	1	1	1	1	1			
16	G	R01 E18 223	VANE MOTOR		1	1	1	1	1	1	1	1	1		MV	
17	G	R01 E02 092	VANE SLEEVE		1	1	1	1	1	1	1	1	1			
18	G	R01 E03 092	VANE SLEEVE		1	1	1	1	1	1	1	1	1			
19	G	R01 E16 002	VANE		1	1	1	1	1	1	1	1	1			
20	G	R01 E03 038	GUIDE VANE		1	1	1	1	1	1	1	1	1			
21	G	T7W H06 480	HEAT EXCHANGER		1		1									
	G	T7W H07 480	HEAT EXCHANGER			1		1								
	G	T7W H94 480	HEAT EXCHANGER						1		1		1			
	G	T7W H95 480	HEAT EXCHANGER							1		1	1			
22	G	R01 H06 401	LINEAR EXPANSION VALVE		1	1	1	1	1	1	1	1	1		LEV	
23	G	R01 H16 202	THERMISTOR	LIQUID	1	1	1	1							TH22	
	G	R01 N15 202	THERMISTOR	LIQUID/GAS					1	1	1	1	1		TH22/23	
24	G	R01 H17 202	THERMISTOR	GAS	1	1	1	1							TH23	
25	G	R01 H12 202	THERMISTOR	ROOM	1	1	1	1	1	1	1	1	1		TH21	
26	G	R01 E30 529	DRAIN PAN		1	1	1	1	1	1	1	1	1			
27	G	T7W E09 355	DRAIN PUMP		1	1	1	1	1	1	1	1	1		DP	
28	G	R01 E11 266	DRAIN SENSOR		1	1	1	1	1	1	1	1	1		DS	
29	G	R01 32K 241	SENSOR HOLDER		1	1	1	1	1	1	1	1	1	for DS		
30	G	R01 E02 520	SENSOR COVER									1	1	for TH21		
31	G	R01 E05 527	DRAIN PIPE		1	1	1	1	1	1						
	G	R01 E10 527	DRAIN PIPE								1	1	1	1		

CITY MULTI

MITSUBISHI ELECTRIC CORPORATION

HEAD OFFICE : TOKYO BLDG., 2-7-3, MARUNOUCHI, CHIYODA-KU, TOKYO100-8310, JAPAN

©Copyright 2004 MITSUBISHI ELECTRIC CORPORATION
Distributed in Dec. 2012 No. OC307 REVISED EDITION-E
Distributed in Oct. 2009 No. OC307 REVISED EDITION-D PDF 7
Distributed in Sep. 2008 No. OC307 REVISED EDITION-C PDF 7
Distributed in Jul. 2007 No. OC307 REVISED EDITION-B PDF 8
Distributed in Jul. 2006 No. OC307 REVISED EDITION-A PDF 8
Distributed in Apr. 2004 No. OC307 PDF 9
Made in Japan

New publication, effective Dec. 2012
Specifications are subject to change without notice.