

PARTS CATALOG

Series PFFY Floor Standing

R410A
Indoor unit
[Model names]
[Service Ref.]

PFFY-P20VKM-E2

PFFY-P20VKM-E2

PFFY-P25VKM-E2

PFFY-P25VKM-E2

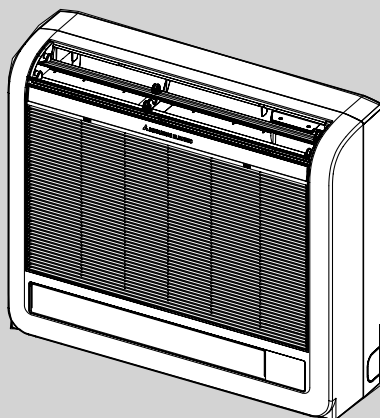
PFFY-P32VKM-E2

PFFY-P32VKM-E2

PFFY-P40VKM-E2

PFFY-P40VKM-E2
NOTE:

- RoHS compliant products have <G> mark on the spec name plate.


 Model name
indication

INDOOR UNIT

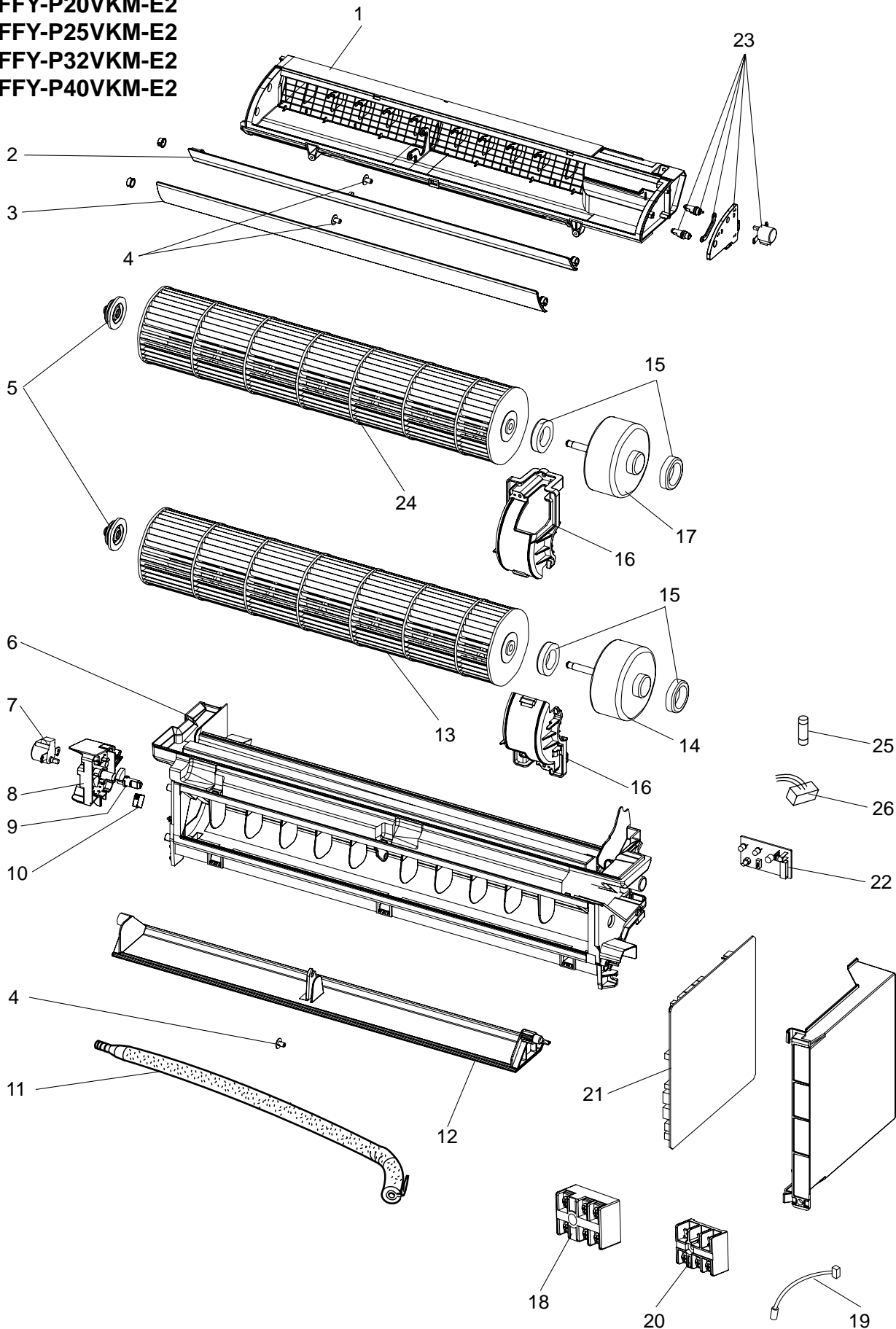
CONTENTS

1. RoHS PARTS LIST 2

SERVICE MANUAL (OCH537)

1-1. INDOOR UNIT ELECTRICAL PARTS AND FUNCTIONAL PARTS

PFFY-P20VKM-E2
 PFFY-P25VKM-E2
 PFFY-P32VKM-E2
 PFFY-P40VKM-E2



RoHS PARTS LIST

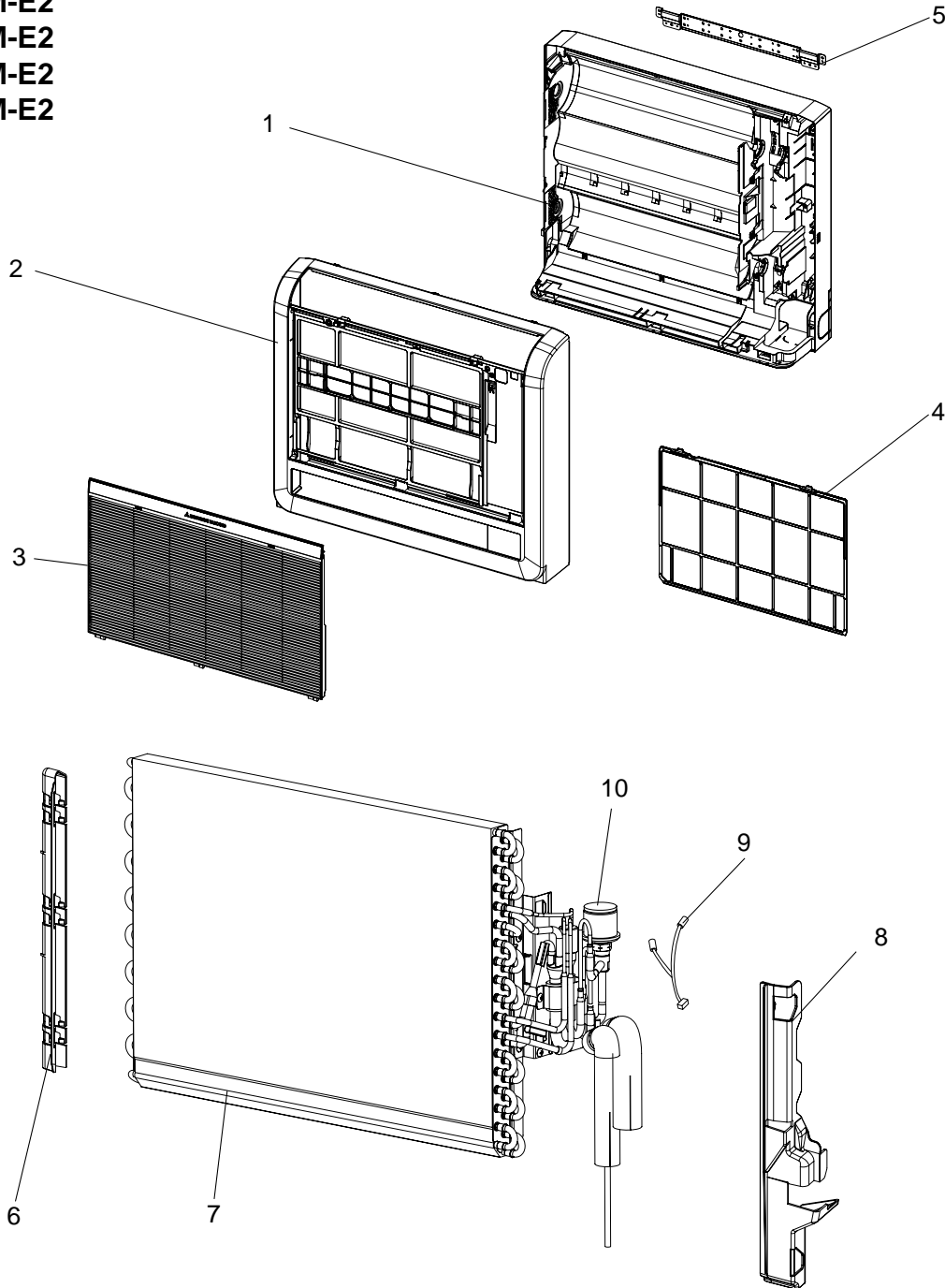
1-1. INDOOR UNIT ELECTRICAL PARTS AND FUNCTIONAL PARTS

No.	RoHS	Part No.	Part name	Q'ty/unit				Remarks	Symbol in Wiring Diagram
				PFFY-P-VKM-E2					
				20	25	32	40		
1	G	T7W E00 530	NOZZLE ASSEMBLY (UPPER)	1	1	1	1		
2	G	T7W E07 002	HORIZONTAL VANE (UPPER)	1	1	1	1		
3	G	T7W E06 002	HORIZONTAL VANE (LOWER)	1	1	1	1		
4	G	T7W E01 103	VANE SLEEVE	3	3	3	3		
5	G	T7W E00 103	BEARING ASSEMBLY	2	2	2	2		
6	G	T7W E01 530	NOZZLE ASSEMBLY (LOWER)	1	1	1	1		
7	G	T7W E08 223	VANE MOTOR	1	1	1	1		MV2
8	G	T7W E09 130	VANE MOTOR SUPPORT	1	1	1	1		
9	G	T7W E00 170	SM SHAFT	1	1	1	1		
10	G	T7W E00 272	LIMIT SWITCH (CLOSE)	1	1	1	1	(VANE UNDER)	LS
11	G	R01 E09 527	DRAIN HOSE	1	1	1	1		
12	G	T7W E08 002	VANE UNDER	1	1	1	1		
13	G	T7W E04 114	LINE FLOW FAN (LOWER)	1	1	1	1		
14	G	T7W E26 762	INDOOR FAN MOTOR (LOWER)	1	1	1	1		MF2
15	G	T7W E00 105	RUBBER MOUNT (L,R)	2	2	2	2		
16	G	T7W E08 130	MOTOR BAND	2	2	2	2		
17	G	T7W E25 762	INDOOR FAN MOTOR (UPPER)	1	1	1	1		MF1
18	G	R01 E27 246	TERMINAL BLOCK	1	1	1	1	3P (M1, M2, S)	TB5
19	G	R01 H08 202	ROOM TEMPERATURE THERMISTOR	1	1	1	1		TH21
20	G	T7W E37 716	TERMINAL BLOCK	1	1	1	1	3P (L, N, ⊕)	TB2
21	G	T7W C10 310	INDOOR CONTROLLER BOARD	1	1	1	1		I.B
22	G	T7W E01 294	ADDRESS BOARD	1	1	1	1		A.B
23	G	T7W E07 223	VANE MOTOR (SET)	1	1	1	1		MV1
24	G	T7W E03 114	LINE FLOW FAN (UPPER)	1	1	1	1		
25	G	R01 E06 239	FUSE	1	1	1	1	6.3 A	FUSE
26	G	T7W E04 304	ADDRESS CABLE	1	1	1	1		

RoHS PARTS LIST

1-2. STRUCTURAL PARTS AND INDOOR UNIT HEAT EXCHANGER

PFFY-P20VKM-E2
PFFY-P25VKM-E2
PFFY-P32VKM-E2
PFFY-P40VKM-E2



No.	RoHS	Part No.	Part name	Q'ty/unit				Remarks	Symbol in Wiring Diagram
				PFFY-P-VKM-E2					
				20	25	32	40		
1	G	T7W E01 635	BOX	1	1	1	1		
2	G	T7W E06 651	PANEL ASSEMBLY	1	1	1	1		
3	G	T7W E05 691	FRONT PANEL	1	1	1	1		
4	G	T7W E01 500	CATECHIN AIR FILTER	1	1	1	1		
5	G	T7W E01 808	BACK PLATE	1	1	1	1		
6	G	T7W E00 031	HAIR PIN COVER	1	1	1	1		
7	G	T7W H56 480	INDOOR HEAT EXCHANGER	1	1	1	1		
8	G	T7W E01 031	WATER COVER	1	1	1	1		
9	G	T7W E16 202	PIPE TEMPERATURE THERMISTOR	1	1	1	1		
10	G	R01 H23 401	LINEAR EXPANSION VALVE	1	1	1	1		LEV

CITY MULTI™

mitsubishi electric corporation

HEAD OFFICE : TOKYO BLDG., 2-7-3, MARUNOUCHI, CHIYODA-KU, TOKYO 100-8310, JAPAN