

March 2013
**No. OC310
REVISED EDITION-B**

TECHNICAL & SERVICE MANUAL

Series PKFY **Wall Mounted** **R410A** / **R407C** / **R22**

<Indoor unit>

[Model names]

PKFY-P32VGM-E

PKFY-P40VGM-E

PKFY-P50VGM-E

[Service Ref.]

PKFY-P32VGM-E
PKFY-P40VGM-E
PKFY-P50VGM-E

Revision:

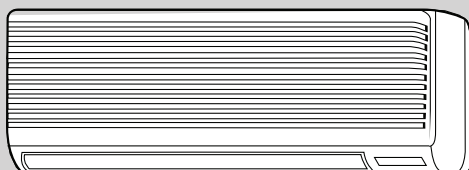
- The indicated No. of CORNER COVER (page 23) have been corrected in REVISED EDITION-B.

- Some descriptions have been modified.

- Please void OC310 REVISED EDITION-A.

Note:

- This manual describes only service data of the indoor units.
- RoHS compliant products have <G> mark on the spec name plate.
- For servicing of RoHS compliant products, refer to the RoHS Parts List.



Indoor unit

CONTENTS

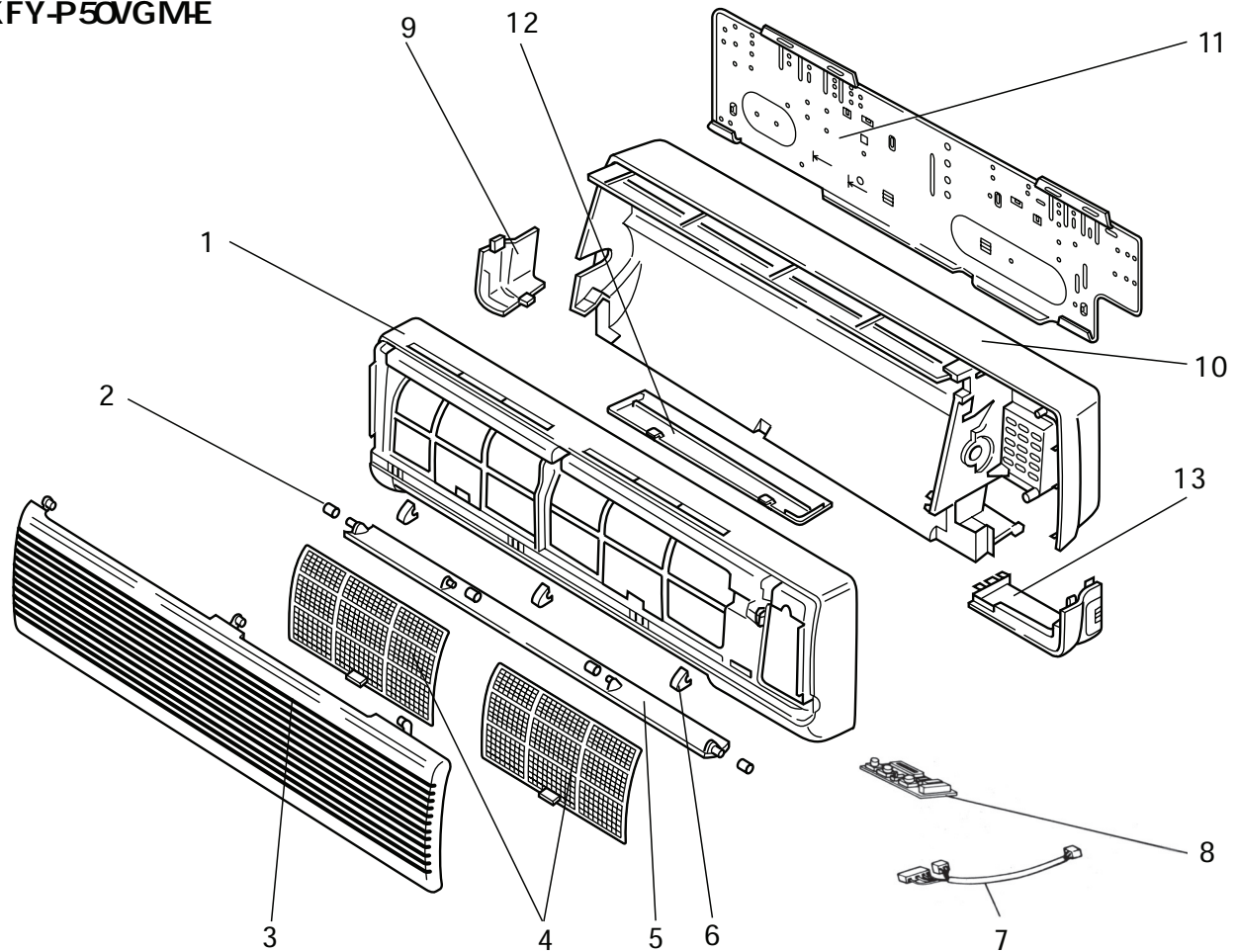
| | |
|-----------------------------------|----|
| 1. SAFETY PRECAUTION | 2 |
| 2. PART NAMES AND FUNCTIONS | 6 |
| 3. SPECIFICATIONS | 8 |
| 4. OUTLINES AND DIMENSIONS | 10 |
| 5. WIRING DIAGRAM..... | 11 |
| 6. REFRIGERANT SYSTEM DIAGRAM ... | 12 |
| 7. TROUBLESHOOTING..... | 13 |
| 8. DISASSEMBLY PROCEDURE..... | 20 |
| 9. RoHS PARTS LIST..... | 23 |

STRUCTURAL PARTS

PKFY-P32VGME

PKFY-P40VGME

PKFY-P50VGME



| No. | RoHS | Parts No. | Parts Name | Specifications | PKFY- P32,P40,P50VGME | Remarks (Drawing No.) | Wiring Diagram Symbol | Recom- mended Q'ty |
|-----|------|-------------|----------------|----------------|--------------------------|--------------------------|-----------------------------|--------------------------|
| 1 | G | R01 E05 651 | FRONT PANEL | | 1 | | | |
| 2 | G | R01 08Y 092 | VANE SLEEVE | | 1 | | | |
| 3 | G | R01 08Y 691 | FRONT GRILLE | | 1 | | | |
| 4 | G | R01 A32 500 | AIR FILTER | | 2 | | | |
| 5 | G | R01 08Y 002 | AUTO VANE | | 1 | | | |
| 6 | G | R01 08Y 096 | SCREW CAP | | 3 | | | |
| 7 | G | R01 A00 304 | ADDRESS CABLE | | 1 | | | |
| 8 | G | T7W E01 294 | ADDRESS BOARD | | 1 | | A.B | |
| 9 | G | R01 08Y 658 | CORNER COVER-L | | 1 | | | |
| 10 | G | R01 08Y 635 | BOX ASSEMBLY | | 1 | | | |
| 11 | G | R01 08Y 808 | BACK PLATE | | 1 | | | |
| 12 | G | R01 08Y 623 | UNDER COVER | | 1 | | | |
| 13 | G | R01 10Y 658 | CORNER COVER-R | | 1 | | | |

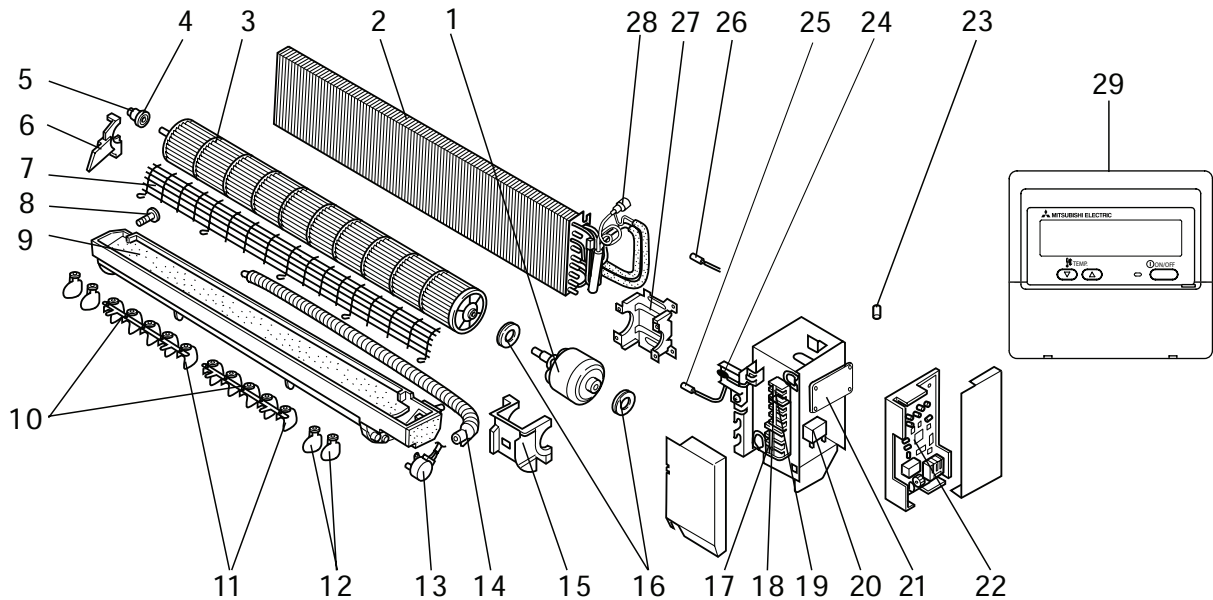
RoHS PARTS LIST

ELECTRICAL PARTS

PKFY-P32/VGME

PKFY-P40/VGME

PKFY-P50/VGME



| No. | RoHS | Parts No. | Parts Name | Specifications | PKFY-P-VGME | | | Remarks (Drawing No.) | Wiring Diagram Symbol | Recom- mended Q'ty |
|-----|------|-------------|------------------------|----------------|-------------|----|----|--------------------------|-----------------------------|--------------------------|
| | | | | | 32 | 40 | 50 | | | |
| 1 | G | T7W A02 762 | FAN MOTOR | | 1 | 1 | 1 | | MF | |
| 2 | G | R01 J34 480 | HEAT EXCHANGER | | 1 | | | | | |
| | G | R01 J35 480 | HEAT EXCHANGER | | | 1 | | | | |
| 3 | G | R01 J36 480 | HEAT EXCHANGER | | | | 1 | | | |
| | G | R01 E22 114 | LINE FLOW FAN | | 1 | 1 | 1 | | | |
| 4 | G | R01 E04 103 | SLEEVE BEARING | | 1 | 1 | 1 | | | |
| 5 | G | R01 08Y 102 | BEARING MOUNT | | 1 | 1 | 1 | | | |
| 6 | G | R01 08Y 106 | BEARING SUPPORT | | 1 | 1 | 1 | | | |
| 7 | G | T7W A01 675 | FAN GUARD | | 1 | 1 | 1 | | | |
| 8 | G | R01 08Y 524 | DRAIN PLUG | | 1 | 1 | 1 | | | |
| 9 | G | R01 08Y 530 | NOZZLE ASSY | | 1 | 1 | 1 | | | |
| 10 | G | R01 08Y 059 | ARM | | 2 | 2 | 2 | | | |
| 11 | G | R01 08Y 038 | GUIDE VANE | | 10 | 10 | 10 | | | |
| 12 | G | R01 10Y 038 | GUIDE VANE | | 4 | 4 | 4 | | | |
| 13 | G | R01 E14 223 | VANE MOTOR | | 1 | 1 | 1 | | MV | |
| 14 | G | R01 08Y 527 | DRAIN HOSE | | 1 | 1 | 1 | | | |
| 15 | G | R01 08Y 135 | MOTOR COVER | | 1 | 1 | 1 | | | |
| 16 | G | R01 08Y 105 | RUBBER MOUNT | | 2 | 2 | 2 | | | |
| 17 | G | T7W E33 716 | TERMINAL BLOCK | 2P(1,2) | 1 | 1 | 1 | | TB15 | |
| 18 | G | R01 E27 246 | TERMINAL BLOCK | 3P(M1,M2,S) | 1 | 1 | 1 | | TB5 | |
| 19 | G | T7W E32 716 | TERMINAL BLOCK | 3P(L,N,⊖) | 1 | 1 | 1 | | TB2 | |
| 20 | G | R01 E13 255 | RUN CAPACITOR | 2.0μF 440V | 1 | 1 | 1 | | C1 | |
| 21 | G | R01 E38 313 | POWER BOARD | | 1 | 1 | 1 | | P.B | |
| 22 | G | T7W E53 310 | CONTROLLER BOARD | | 1 | 1 | 1 | | I.B | |
| 23 | G | R01 E06 239 | FUSE | 250V 6.3A | 1 | 1 | 1 | | FUSE | |
| 24 | G | R01 H08 202 | ROOM THERMISTOR | | 1 | 1 | 1 | | TH21 | |
| 25 | G | R01 H07 202 | LIQUID PIPE THERMISTOR | | 1 | 1 | 1 | | TH22 | |
| 26 | G | R01 H13 202 | GAS PIPE THERMISTOR | | 1 | 1 | 1 | | TH23 | |
| 27 | G | R01 08Y 130 | MOTOR SUPPORT | | 1 | 1 | 1 | | | |
| 28 | G | R01 H05 401 | LINEAR EXPANSION VALVE | | 1 | 1 | 1 | | LEV | |
| 29 | G | — | REMOTE CONTROLLER | PAR-21MAA | 1 | 1 | 1 | | | |

CITY MULTI

MITSUBISHI ELECTRIC CORPORATION

HEAD OFFICE : TOKYO BLDG., 2-7-3, MARUNOUCHI, CHIYODA-KU, TOKYO100-8310, JAPAN

© Copyright 2004 MITSUBISHI ELECTRIC CORPORATION
Distributed in Mar. 2013 No. OC 310 REVISED EDITION-B
Distributed in Jul. 2006 No. OC 310 REVISED EDITION-A PDF 8
Distributed in Apr. 2004 No. OC 310 PDF 9
Made in Japan

New publication, effective Mar. 2013
Specifications are subject to change without notice.