

SERVICE PARTS LIST FOR MITSUBISHI ELECTRIC PACKAGED AIR-CONDITIONERS

**Series : PFFY-P.VLEM-E
PFFY-P.VLRM-E**

REVISED

Nov. 2012

BWE0405G

INDEX

PFFY-P20VLEM-E
PFFY-P25VLEM-E
PFFY-P32VLEM-E
PFFY-P40VLEM-E
PFFY-P50VLEM-E
PFFY-P63VLEM-E
PFFY-P20VLRM-E
PFFY-P25VLRM-E
PFFY-P32VLRM-E
PFFY-P40VLRM-E
PFFY-P50VLRM-E
PFFY-P63VLRM-E

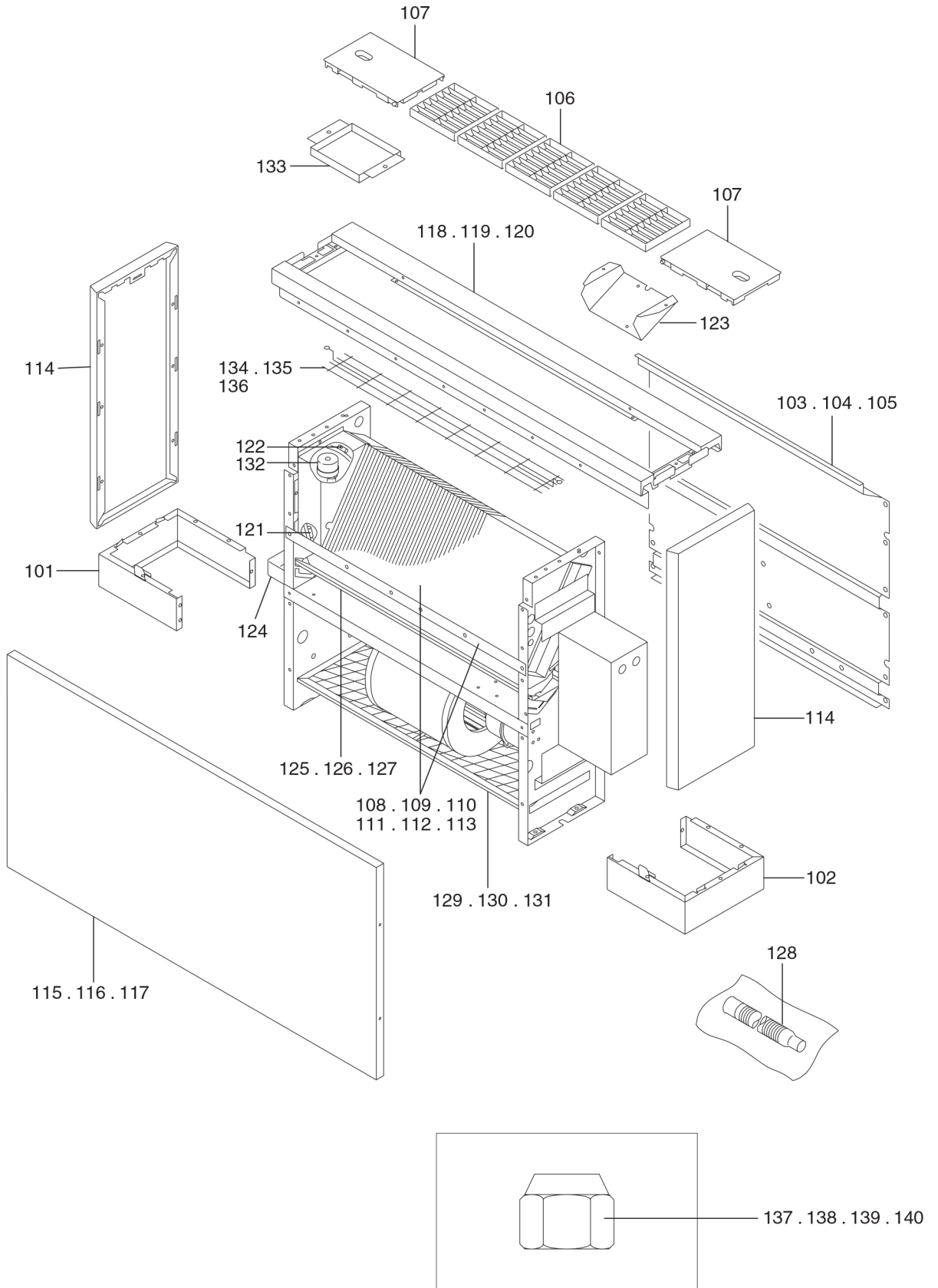
Part information update day : 2012/11/16

Please change the old catalog (issued Nov. 2011, No.BWE0405F) to this new catalog.
Content of revision : Some of parts are changed.



PFFY-P20,P25,P32VLEM-E
PFFY-P40,P50,P63VLEM-E

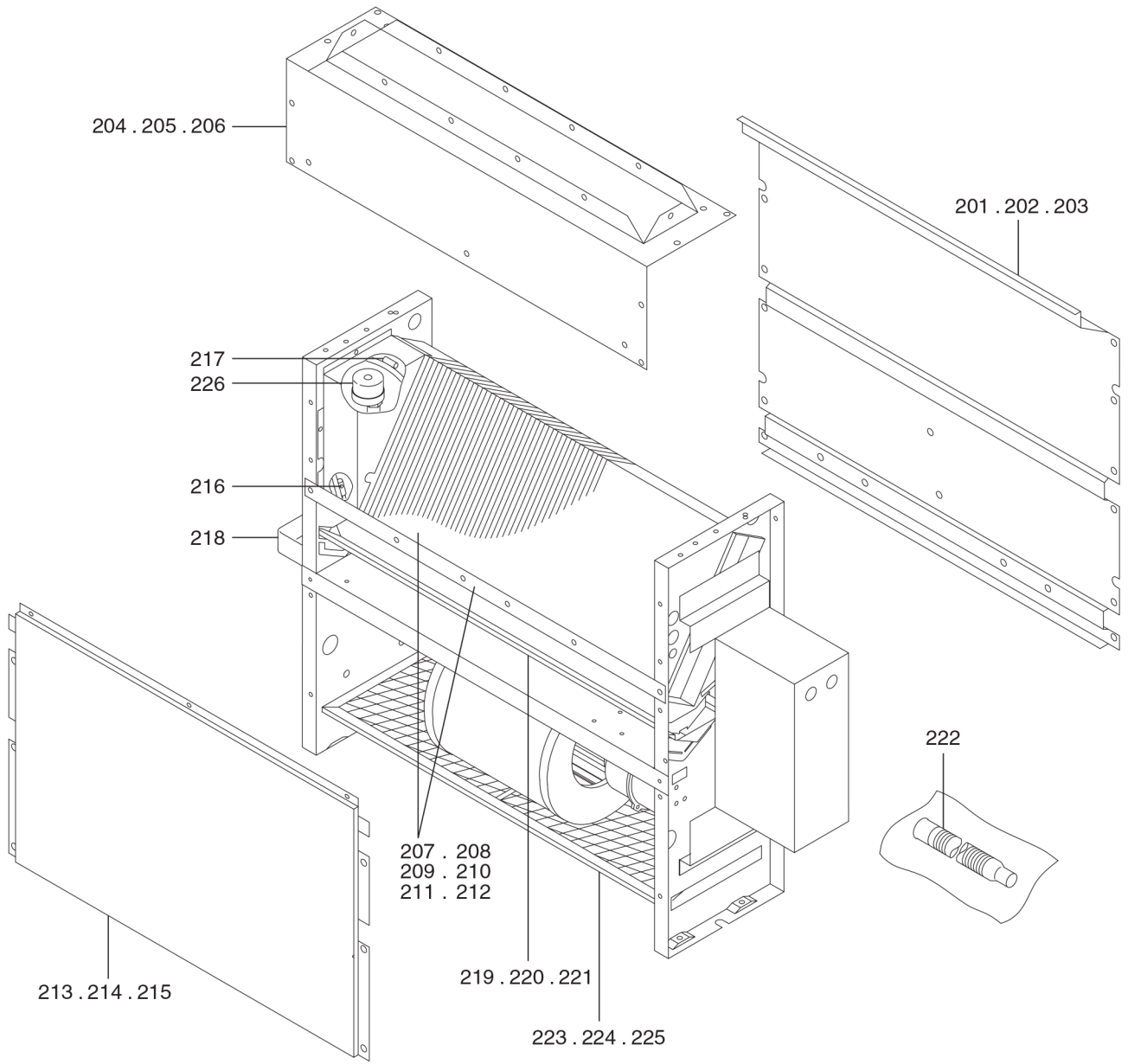
EXTERNAL PARTS (1)



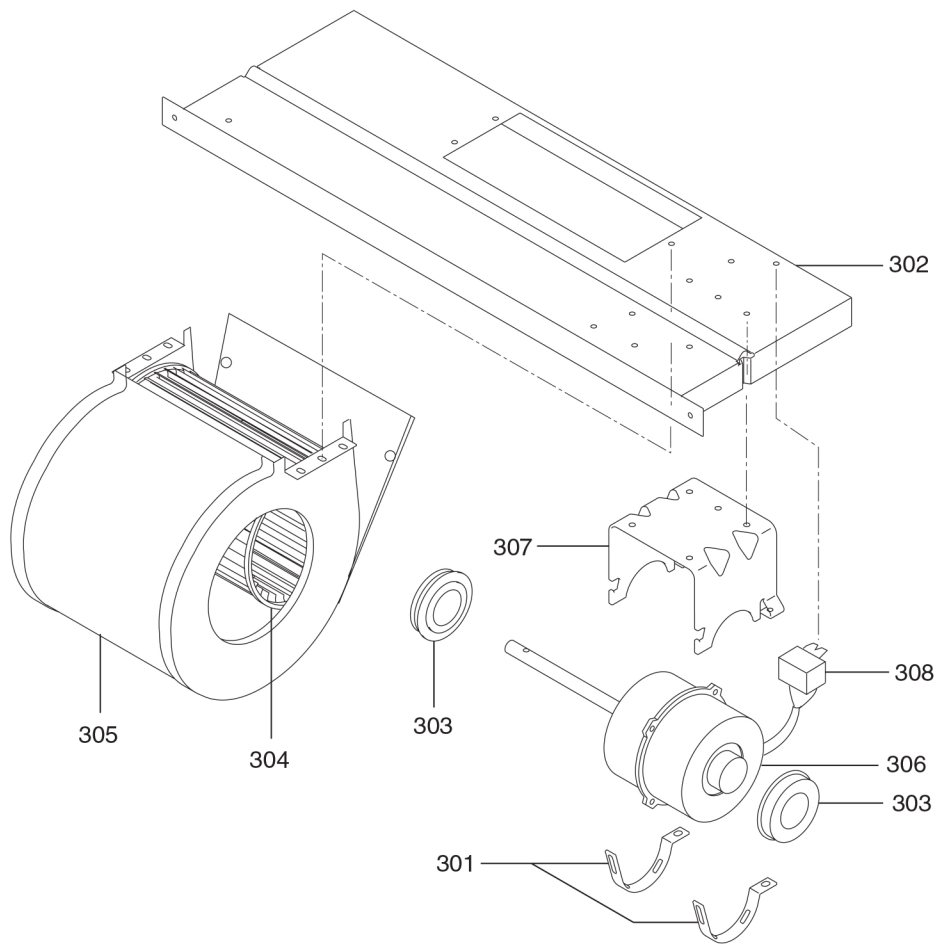
PFFY-P20,P25,P32VLEM-E
PFFY-P40,P50,P63VLEM-E

EXTERNAL PARTS (1)

No.	Part No.	G : RoHS Apply Only W : RoHS Apply by Running Change		Spec.	PFFY-P20VLEM-E	PFFY-P25VLEM-E	PFFY-P32VLEM-E	PFFY-P40VLEM-E	PFFY-P50VLEM-E	PFFY-P63VLEM-E	Dwg. No.	Notes for the models	Revision info.
			Part Name										
101	R63 370 001	G	Decorative plate		1	1	1	1	1	1	W242240H03		
102	R63 371 001	G	Decorative plate		1	1	1	1	1	1	W242240H04		
103	R63 722 035	G	Rear panel		1	1					W235706H24		
104	R63 723 035	G	Rear panel				1	1			W235706H25		
105	R63 724 035	G	Rear panel						1	1	W235706H26		
106	R40 025 501	G	Outlet grill		5	5	6	6	8	8	W235590H01		
107	R63 025 079	G	Control lid		2	2	2	2	2	2	W356687G03		
108	R61 508 480	G	Heat exchanger assy		1						KD00G553G06		
109	R61 509 480	G	Heat exchanger assy			1					KD00G553G07		
110	R61 510 480	G	Heat exchanger assy				1				KD00G553G08		
111	R61 511 480	G	Heat exchanger assy					1			KD00G553G09		
112	R61 512 480	G	Heat exchanger assy						1		KD00G553G10		
113	R61 513 480	G	Heat exchanger assy							1	KD00G553G11		
114	R63 L43 111	G	Casing S		2	2	2	2	2	2	W269686G01		
115	R63 Y18 111	G	Casing assy F		1	1					W390777G10		
116	R63 Y19 111	G	Casing assy F				1	1			W390777G11		
117	R63 Y20 111	G	Casing assy F						1	1	W390777G12		
118	R63 Y21 111	G	Casing assy U		1	1					W248559G13		
119	R63 Y22 111	G	Casing assy U				1	1			W248559G14		
120	R63 Y23 111	G	Casing assy U						1	1	W248559G15		
121	R61 144 200	G	Thermistor		1	1	1	1	1	1	KB00U755G01	<gas>	
122	R63 367 203	G	Thermistor		1	1	1	1	1	1	KB78U229G01	<liquid>	
123	R63 Y09 049	G	Switch panel		1	1	1	1	1	1	KD00G333G02		
124	R61 093 529	G	Drain pan 2		1	1	1	1	1	1	KD25L821H01		
125	R63 Y16 529	G	Drain pan 1		1	1					W356664G24		
126	R63 Y17 529	G	Drain pan 1				1	1			W356664G25		
127	R63 Y18 529	G	Drain pan 1						1	1	W356664G26		
128	R40 025 049	G	Drain hose		1	1	1	1	1	1	W356677H01		
129	R63 2E8 500	G	Filter		1	1					W275191G03		
130	R63 2E9 500	G	Filter				1	1			W275191G04		
131	R63 3E1 500	G	Filter						1	1	W275191G05		
132	R61 010 401	G	Linear expansion valve	EFM-40YGMD-3	1	1	1	1	1	1	P632459X01		
133	R63 Y10 049	G	Switch panel		1	1	1	1	1	1	W657853H02		
134	R63 Y01 611	G	Fin guard		1	1					W622564G04		
135	R63 Y02 611	G	Fin guard				1	1			W622564G05		
136	R63 Y03 611	G	Fin guard						1	1	W622564G06		
137	R61 006 122	G	Flare nut	12.7(1/2)	1	1	1	1	1	1	KB21S918H01	<gas>	
138	R63 8G1 122	G	Flare nut	15.88(5/8)						1	KB21S919H01	<gas>	
139	R61 008 122	G	Flare nut	6.35(1/4)	1	1	1	1	1	1	KB21S916H01	<liquid>	
140	R63 8G0 122	G	Flare nut	9.52(3/8)						1	KB21S917H01	<liquid>	



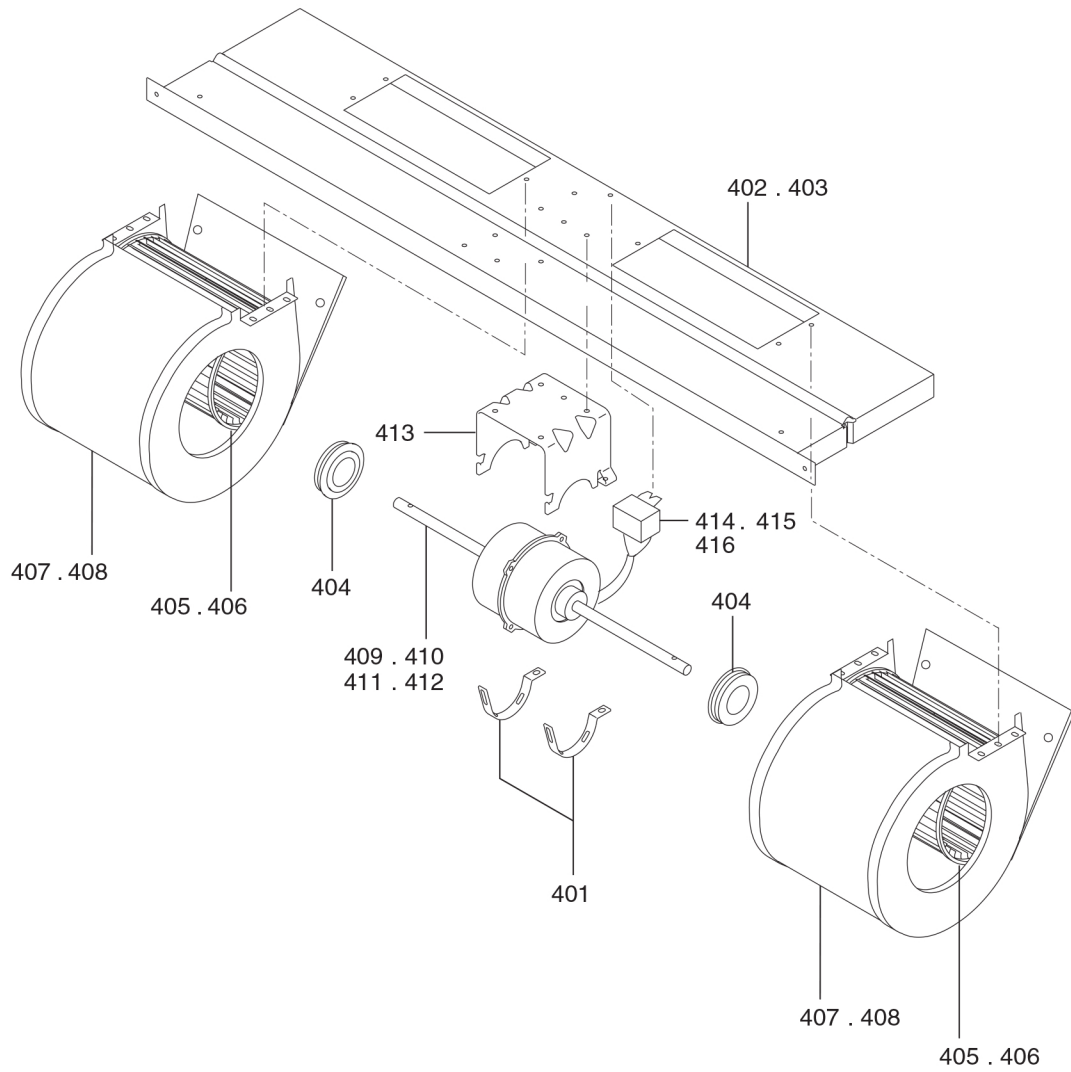
No.	Part No.	G : RoHS Apply Only W : RoHS Apply by Running Change		Spec.	PFFY-P20VLRM-E	PFFY-P25VLRM-E	PFFY-P32VLRM-E	PFFY-P40VLRM-E	PFFY-P50VLRM-E	PFFY-P63VLRM-E	Dwg. No.	Notes for the models	Revision info.
			Part Name										
201	R63 722 035	G	Rear panel		1	1					W235706H24		
202	R63 723 035	G	Rear panel				1	1			W235706H25		
203	R63 724 035	G	Rear panel						1	1	W235706H26		
204	R63 Y01 071	G	Outlet grill		1	1					W358804G08		
205	R63 Y02 071	G	Outlet grill				1	1			W358804G09		
206	R63 Y03 071	G	Outlet grill						1	1	W358804G10		
207	R61 508 480	G	Heat exchanger assy		1						KD00G553G06		
208	R61 509 480	G	Heat exchanger assy			1					KD00G553G07		
209	R61 510 480	G	Heat exchanger assy				1				KD00G553G08		
210	R61 511 480	G	Heat exchanger assy					1			KD00G553G09		
211	R61 512 480	G	Heat exchanger assy						1		KD00G553G10		
212	R61 513 480	G	Heat exchanger assy							1	KD00G553G11		
213	R63 Y07 111	G	Casing assy FD		1	1					W358806G08		
214	R63 Y08 111	G	Casing assy FD				1	1			W358806G09		
215	R63 Y09 111	G	Casing assy FD						1	1	W358806G10		
216	R61 144 200	G	Thermistor		1	1	1	1	1	1	KB00U755G01	<gas>	
217	R63 367 203	G	Thermistor		1	1	1	1	1	1	KB78U229G01	<liquid>	
218	R61 093 529	G	Drain pan 2		1	1	1	1	1	1	KD25L821H01		
219	R63 Y16 529	G	Drain pan 1		1	1					W356664G24		
220	R63 Y17 529	G	Drain pan 1				1	1			W356664G25		
221	R63 Y18 529	G	Drain pan 1						1	1	W356664G26		
222	R40 025 049	G	Drain hose		1	1	1	1	1	1	W356677H01		
223	R63 2E8 500	G	Filter		1	1					W275191G03		
224	R63 2E9 500	G	Filter				1	1			W275191G04		
225	R63 3E1 500	G	Filter						1	1	W275191G05		
226	R61 010 401	G	Linear expansion valve	EFM-40YGMD-3	1	1	1	1	1	1	P632459X01		
227	R61 006 122	G	Flare nut	12.7(1/2)	1	1	1	1	1	1	KB21S918H01	<gas>	
228	R63 8G1 122	G	Flare nut	15.88(5/8)						1	KB21S919H01	<gas>	
229	R61 008 122	G	Flare nut	6.35(1/4)	1	1	1	1	1	1	KB21S916H01	<liquid>	
230	R63 8G0 122	G	Flare nut	9.52(3/8)						1	KB21S917H01	<liquid>	

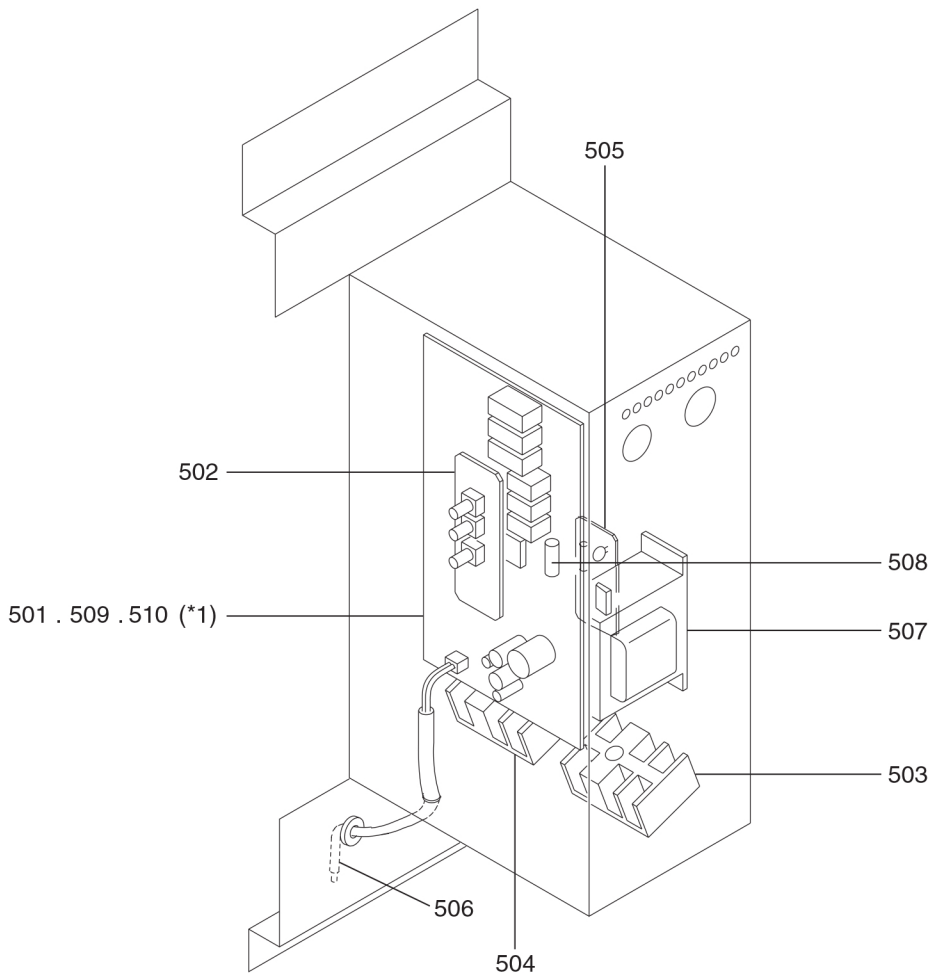


**PFFY-P20,P25VLEM-E
PFFY-P20,P25VLRM-E**

BLOWER PARTS (1)

No.	Part No.	G : RoHS Apply Only W : RoHS Apply by Running Change		Spec.	PFFY-P20VLEM-E	PFFY-P25VLEM-E	PFFY-P20VLRM-E	PFFY-P25VLRM-E	Dwg. No.	Notes for the models	Revision info.
			Part Name								
301	R63 652 131	G	Fixing plate		2	2	2	2	W353715H01		
302	R63 Y01 140	G	Fan stand		1	1	1	1	W618676G02		
303	R63 766 104	G	Rubber bush		2	2	2	2	W491760H02		
304	R63 045 103	G	Sirocco fan assy		1	1	1	1	W234904G01		
305	R63 839 675	G	Fan cover		1	1	1	1	W234951G01		
306	R63 Y92 220	G	Motor	15W,1Phase,220V (15W,4P)	1	1	1	1	P714581X02	<MF>	
307	R63 370 130	G	Motor support		1	1	1	1	W234925H06		
308	R63 Y14 252	G	Capacitor	1.5 μ F	1	1	1	1	P412234X01		





- *1 Parts No. 501 cannot be used with the indoor units with a production number of 04W***** or later.
Use parts No. 509 or No. 510 instead.
Both parts No. 501 and No. 509 cannot be used with the indoor units with a production number of 2ZW***** or later.
Use parts No. 510 instead.
Those parts No. 501, No. 509, and No. 510 can be used with the units with a production number of 93W***** or earlier.
If the production number of the indoor unit is not available, procure parts No. 510.

PFFY-P20,P25,P32,P40,P50,P63VLEM-E CONTROL BOX PARTS
PFFY-P20,P25,P32,P40,P50,P63VLRM-E

No.	Part No.	G : RoHS Apply Only W : RoHS Apply by Running Change		Spec.	PFFY-P20VLEM-E	PFFY-P25VLEM-E	PFFY-P32VLEM-E	PFFY-P40VLEM-E	PFFY-P50VLEM-E	PFFY-P63VLEM-E	Dwg. No.	Notes for the models	Revision info.
		Part Name											
501	R63 Y36 281	G	Controller board RY		1	1	1	1	1	1	W849072G06	<I.B> *1	
502	R63 Y37 281	G	Address board AD		1	1	1	1	1	1	W849036G09	<A.B>	
503	R63 Y08 715	G	Terminal block		1	1	1	1	1	1	P436239X01	<TB2>	
504	R63 336 246	G	Terminal block		1	1	1	1	1	1	P436114X03	<TB5,15>	
505	R63 Y22 280	G	DSA board	FP-DSA	1	1	1	1	1	1	W849072G13	<S.B>	
506	R63 373 202	G	Sensor processing		1	1	1	1	1	1	P418059X01	<inlet> <TH21>	
507	R63 007 260	G	Transformer	240V/23.5V	1	1	1	1	1	1	P715414X01	<T>	
508	R63 Y02 241	G	Fuse	250V 6.3A	1	1	1	1	1	1	S423001H14	<F>	
509	R61 148 280	G	Controller board RY		1	1	1	1	1	1	KE00D204G27	<I.B> *1	
510	R61 232 280	G	Controller board RY		1	1	1	1	1	1	KE00C778G01	<I.B> *1	Add

PFFY-P20,P25,P32,P40,P50,P63VLEM-E
PFFY-P20,P25,P32,P40,P50,P63VLRM-E

CONTROL BOX PARTS

No.	Part No.	G : RoHS Apply Only W : RoHS Apply by Running Change	Part Name	Spec.	PFFY-P20VLRM-E	PFFY-P25VLRM-E	PFFY-P32VLRM-E	PFFY-P40VLRM-E	PFFY-P50VLRM-E	PFFY-P63VLRM-E	Dwg. No.	Notes for the models	Revision info.
501	R63 Y36 281	G	Controller board RY		1	1	1	1	1	1	W849072G06	<I.B> *1	
502	R63 Y37 281	G	Address board AD		1	1	1	1	1	1	W849036G09	<A.B>	
503	R63 Y08 715	G	Terminal block		1	1	1	1	1	1	P436239X01	<TB2>	
504	R63 336 246	G	Terminal block		1	1	1	1	1	1	P436114X03	<TB5,15>	
505	R63 Y22 280	G	DSA board	FP-DSA	1	1	1	1	1	1	W849072G13	<S.B>	
506	R63 373 202	G	Sensor processing		1	1	1	1	1	1	P418059X01	<inlet> <TH21>	
507	R63 007 260	G	Transformer	240V/23.5V	1	1	1	1	1	1	P715414X01	<T>	
508	R63 Y02 241	G	Fuse	250V 6.3A	1	1	1	1	1	1	S423001H14	<F>	
509	R61 148 280	G	Controller board RY		1	1	1	1	1	1	KE00D204G27	<I.B> *1	
510	R61 232 280	G	Controller board RY		1	1	1	1	1	1	KE00C778G01	<I.B> *1	Add

mitsubishi electric corporation
HEAD OFFICE: TOKYO BLDG., 2-7-3, MARUNOUCHI, CHIYODA-KU, TOKYO 100-8310, JAPAN

BWE0405G (20121130)