

SERVICE PARTS LIST FOR MITSUBISHI ELECTRIC PACKAGED AIR-CONDITIONERS

Series : PEFY-P·VML-E

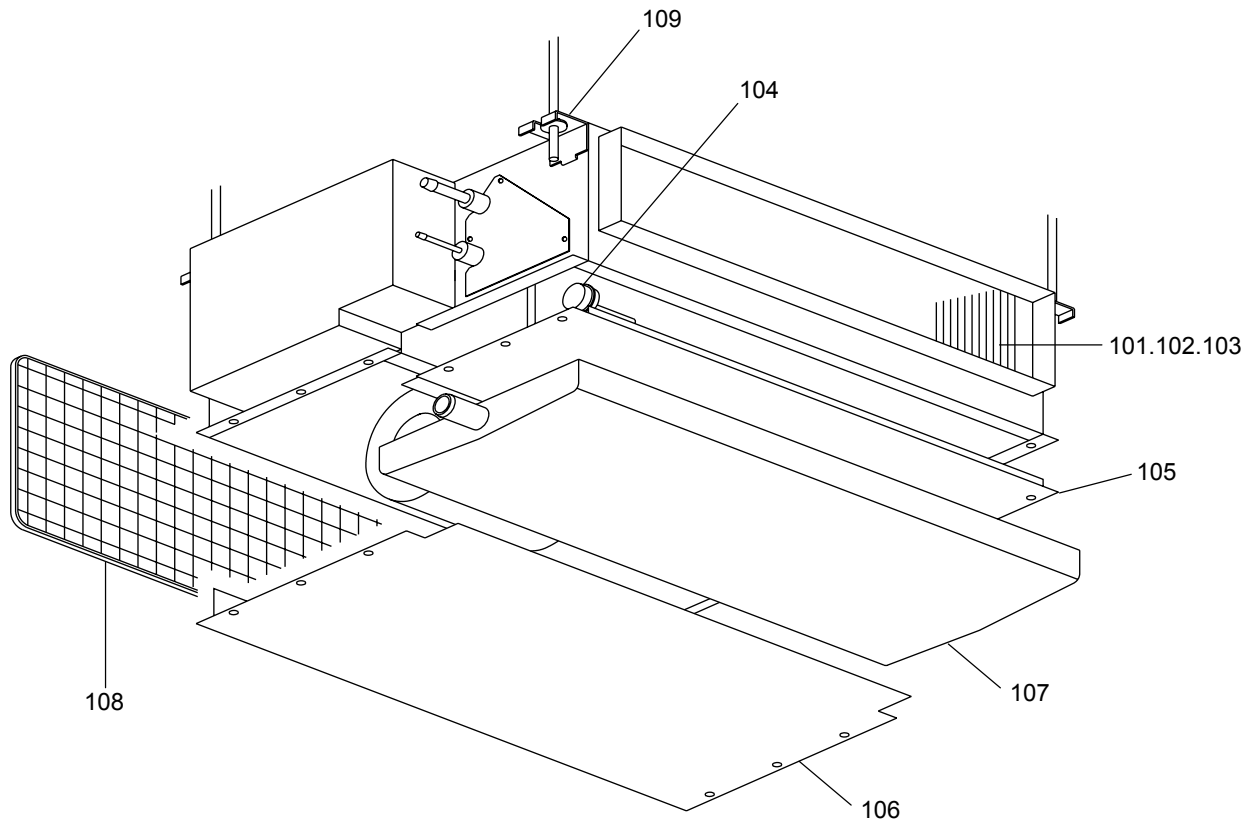
REVISED

June 2009

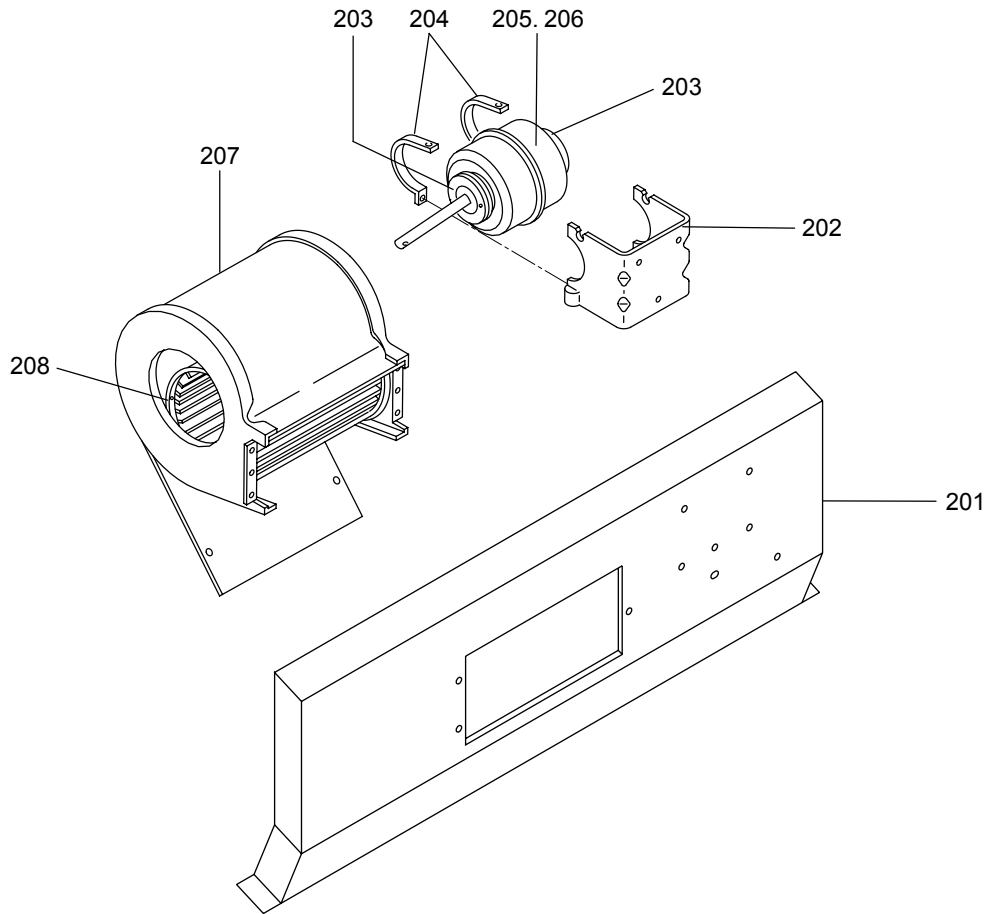
BWE0406B

| INDEX |
|---|
| <p>PEFY-P20VML-E PEFY-P25VML-E PEFY-P32VML-E</p> |

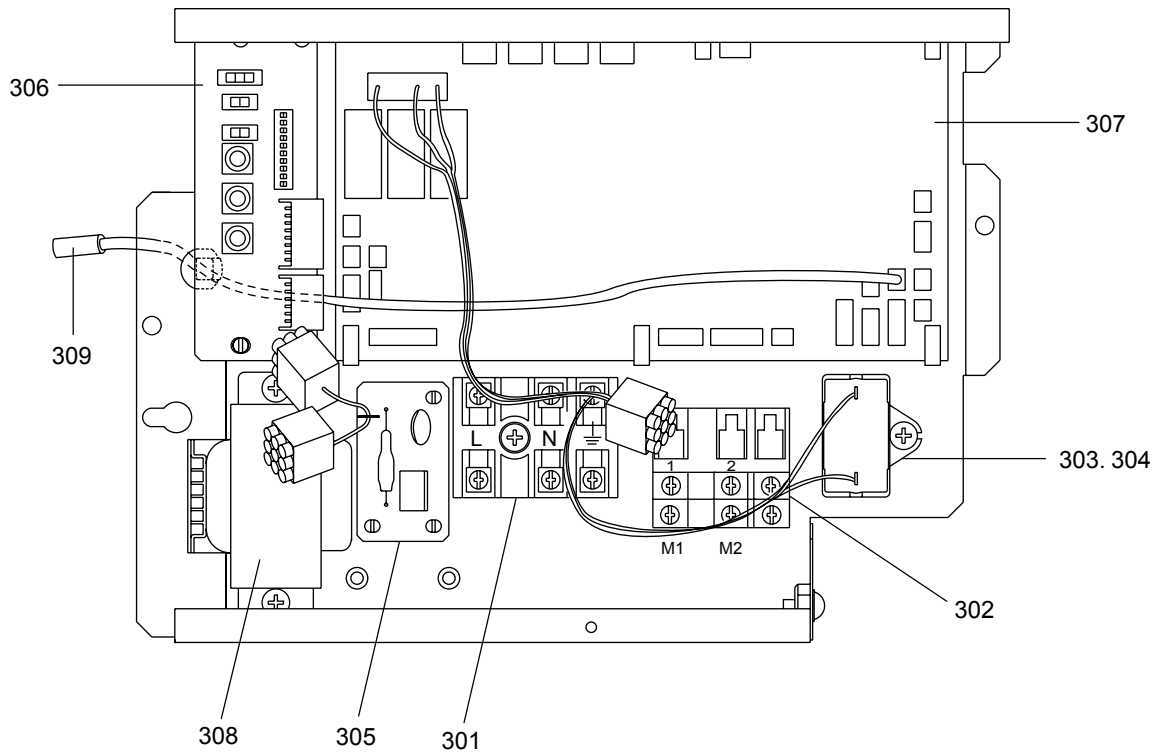




| No. | Part No. | G : RoHS Apply Only W : RoHS Apply by Running Change | | Spec. | PEFY20VML-E | PEFY25VML-E | PEFY32VML-E | Dwg. No. | Price | Revision History |
|-----|-------------|---|--------------------------|-----------------|-------------|-------------|-------------|------------|-------|------------------|
| | | | Part Name | | | | | | | |
| 101 | R63 Y78 481 | G | Heat exchanger assy | | 1 | 1 | 1 | W265695G23 | | |
| 102 | R63 902 936 | G | Thermistor (gas) | NTH3A23-4<TH23> | 1 | 1 | 1 | P425491X01 | | |
| 103 | R63 901 936 | G | Thermistor (liquid) | NTH3A08-5<TH22> | 1 | 1 | 1 | P425484X01 | | |
| 104 | R63 S38 401 | G | Linear expansion valve | EDM4 XH<LEV> | 1 | 1 | 1 | P632407X02 | | |
| 105 | R63 Y13 661 | G | Bottom plate A | | 1 | 1 | 1 | W635907G02 | | |
| 106 | R63 Y14 661 | G | Bottom plate B | | 1 | 1 | 1 | W877415G02 | | |
| 107 | R63 Y10 529 | G | Drain pan | | 1 | 1 | 1 | W877416G05 | | |
| 108 | R63 Y06 501 | G | Filter | | 1 | 1 | 1 | W634781H01 | | |
| 109 | R63 151 326 | G | Hanging metal fittings L | | 4 | 4 | 4 | W398770H02 | | |
| | | | | | | | | | | |
| | | | | | | | | | | |
| | | | | | | | | | | |
| | | | | | | | | | | |
| | | | | | | | | | | |
| | | | | | | | | | | |
| | | | | | | | | | | |
| | | | | | | | | | | |
| | | | | | | | | | | |
| | | | | | | | | | | |



| No. | Part No. | G : RoHS Apply Only W : RoHS Apply by Running Change | | Spec. | PEFY20VML-E | PEFY25VML-E | PEFY32VML-E | Dwg. No. | Price | Revision History |
|-----|-------------|---|------------------|-------|-------------|-------------|-------------|------------|-------|------------------|
| | | | Part Name | | | | | | | |
| 201 | R63 Y14 140 | G | Fan stand | | 1 | 1 | 1 | W267214G01 | | |
| 202 | R63 370 130 | G | Motor support | | 1 | 1 | 1 | W234925H06 | | |
| 203 | R61 220 044 | G | Rubber bush | | 2 | 2 | 2 | W837244H01 | | |
| 204 | R63 652 131 | G | Fixing plate | | 2 | 2 | 2 | W353715H01 | | |
| 205 | R61 004 221 | G | Motor | | 1 | 1 | | P780084X01 | | B |
| 206 | R63 005 221 | G | Motor | | | | 1 | P780085X01 | | B |
| 207 | R63 839 675 | G | Fan cover | | 1 | 1 | 1 | W234951G01 | | |
| 208 | R63 045 103 | G | Sirocco fan assy | | 1 | 1 | 1 | W234904G01 | | |
| | | | | | | | | | | |
| | | | | | | | | | | |
| | | | | | | | | | | |
| | | | | | | | | | | |
| | | | | | | | | | | |
| | | | | | | | | | | |
| | | | | | | | | | | |
| | | | | | | | | | | |
| | | | | | | | | | | |
| | | | | | | | | | | |
| | | | | | | | | | | |
| | | | | | | | | | | |



| No. | Part No. | G : RoHS Apply Only W : RoHS Apply by Running Change | | Spec. | PEFY20VML-E | PEFY25VML-E | PEFY32VML-E | Dwg. No. | Price | Revision History |
|-----|-------------|---|--------------------|--------------|-------------|-------------|-------------|------------|-------|------------------|
| | | | Part Name | | | | | | | |
| 301 | R63 Y08 715 | G | Terminal block | <TB2> | 1 | 1 | 1 | P436239X01 | | |
| 302 | R63 336 246 | G | Terminal block | <TB5>,<TB15> | 1 | 1 | 1 | P436114X03 | | |
| 303 | R63 Y14 252 | G | Capacitor 1.5μF | <C> | 1 | 1 | | P412234X01 | | |
| 304 | R63 Y15 252 | G | Capacitor 2.0μF | <C> | | | 1 | P412235X01 | | |
| 305 | R63 Y22 280 | G | Board assy FP-DSA | | 1 | 1 | 1 | W849072G13 | | |
| 306 | R63 Y37 281 | G | Board assy AD | <A,B> | 1 | 1 | 1 | W849036G09 | | |
| 307 | R63 Y36 281 | G | Board assy RY | <I,B> | 1 | 1 | 1 | W849072G06 | | |
| 308 | R63 007 260 | G | Transformer | | 1 | 1 | 1 | P715414X01 | | B |
| 309 | R63 373 202 | G | Thermistor (inlet) | <TH21> | 1 | 1 | 1 | P418059X01 | | |
| | | | | | | | | | | |
| | | | | | | | | | | |
| | | | | | | | | | | |
| | | | | | | | | | | |
| | | | | | | | | | | |
| | | | | | | | | | | |
| | | | | | | | | | | |
| | | | | | | | | | | |
| | | | | | | | | | | |
| | | | | | | | | | | |
| | | | | | | | | | | |

