

# SERVICE PARTS LIST FOR MITSUBISHI ELECTRIC PACKAGED AIR-CONDITIONERS

**Series : PEFY-P•VMM-E**

**For use with the R410A & R407C & R22**

**REVISED**

**Oct. 2007**

**BWE0409B**

## INDEX

**PEFY-P20VMM-E**

**PEFY-P25VMM-E**

**PEFY-P32VMM-E**

**PEFY-P40VMM-E**

**PEFY-P50VMM-E**

**PEFY-P63VMM-E**

**PEFY-P71VMM-E**

**PEFY-P80VMM-E**

**PEFY-P100VMM-E**

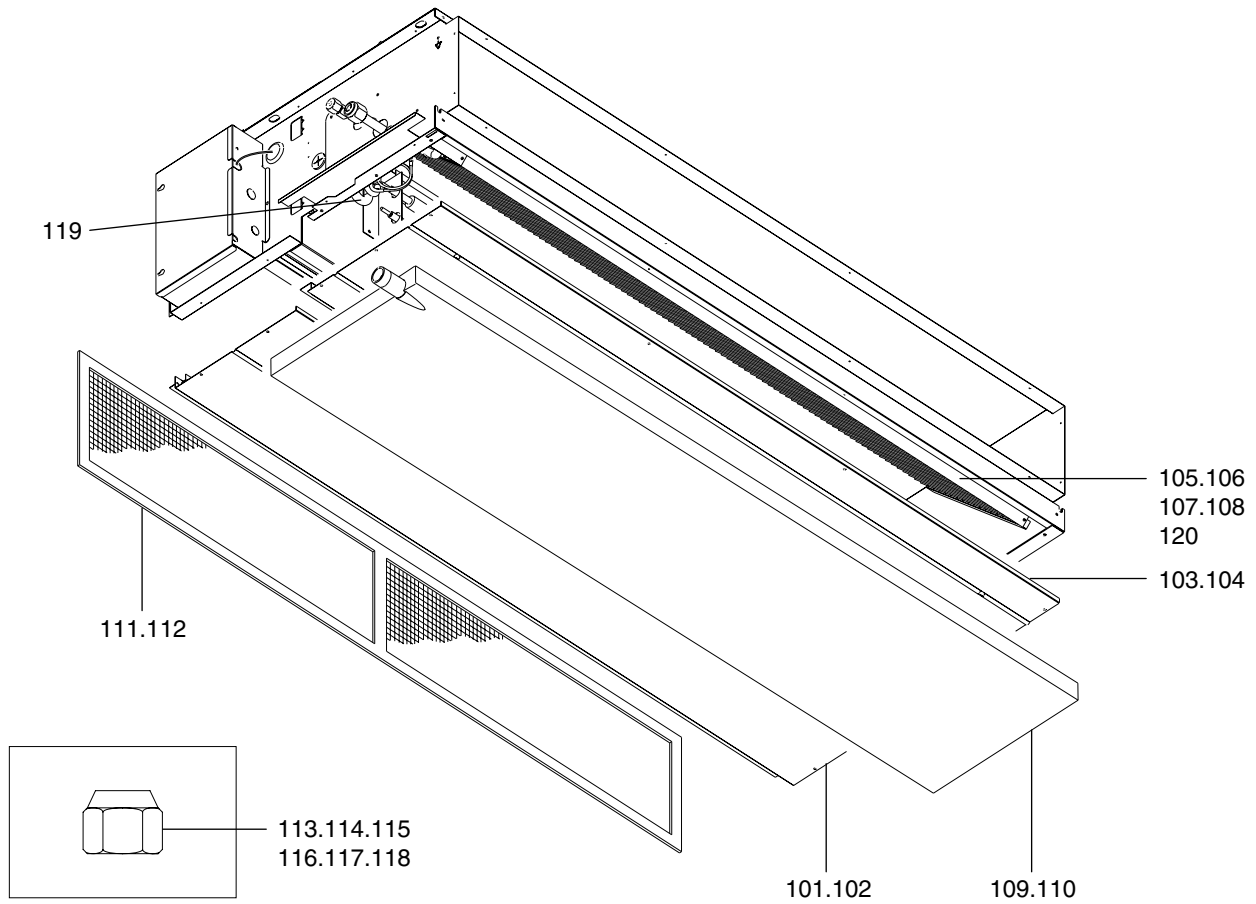
**PEFY-P125VMM-E**

**PEFY-P140VMM-E**



PEFY-P20,P25,P32VMM-E  
PEFY-P40,P50VMM-E

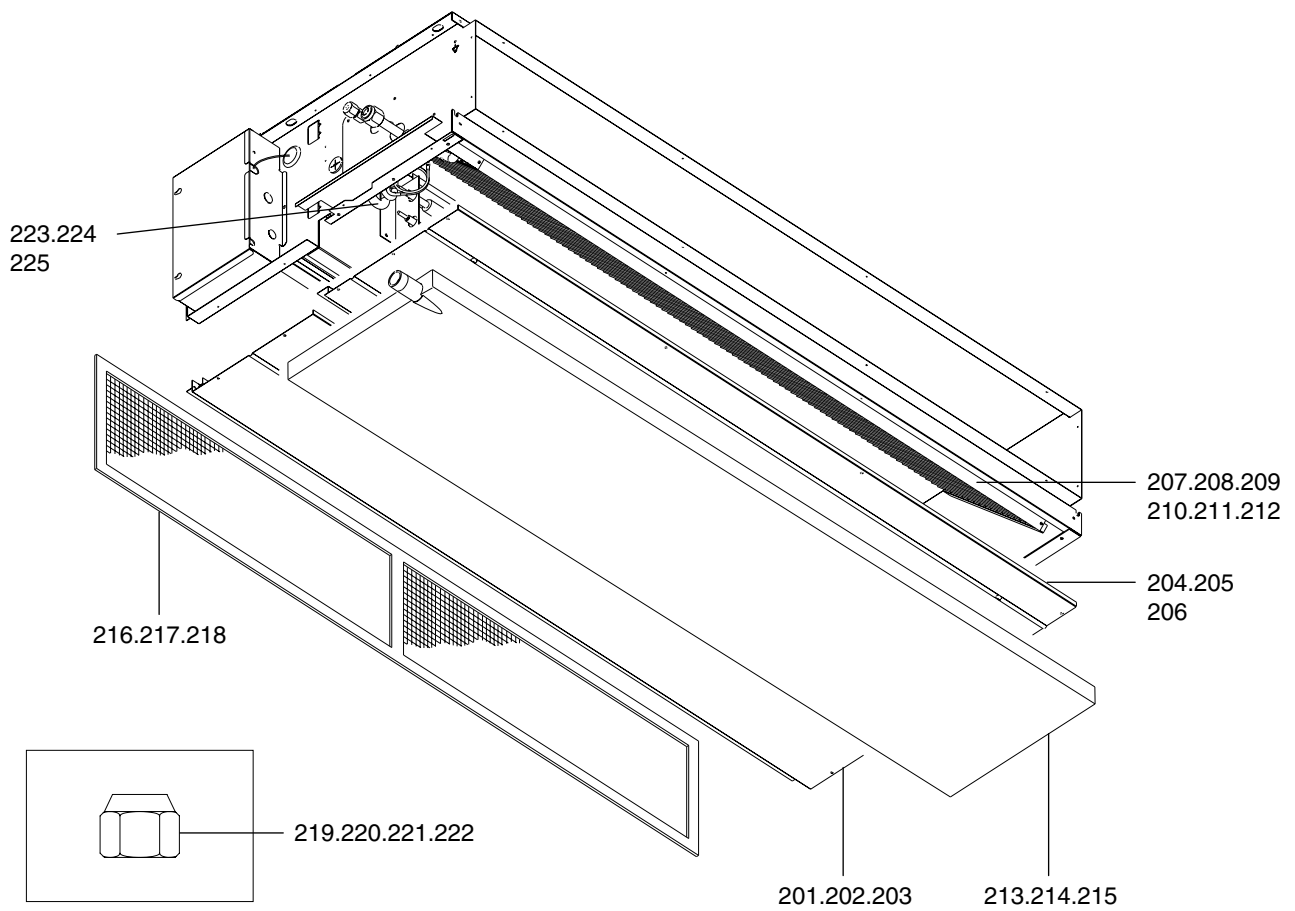
EXTERNAL PARTS (1)



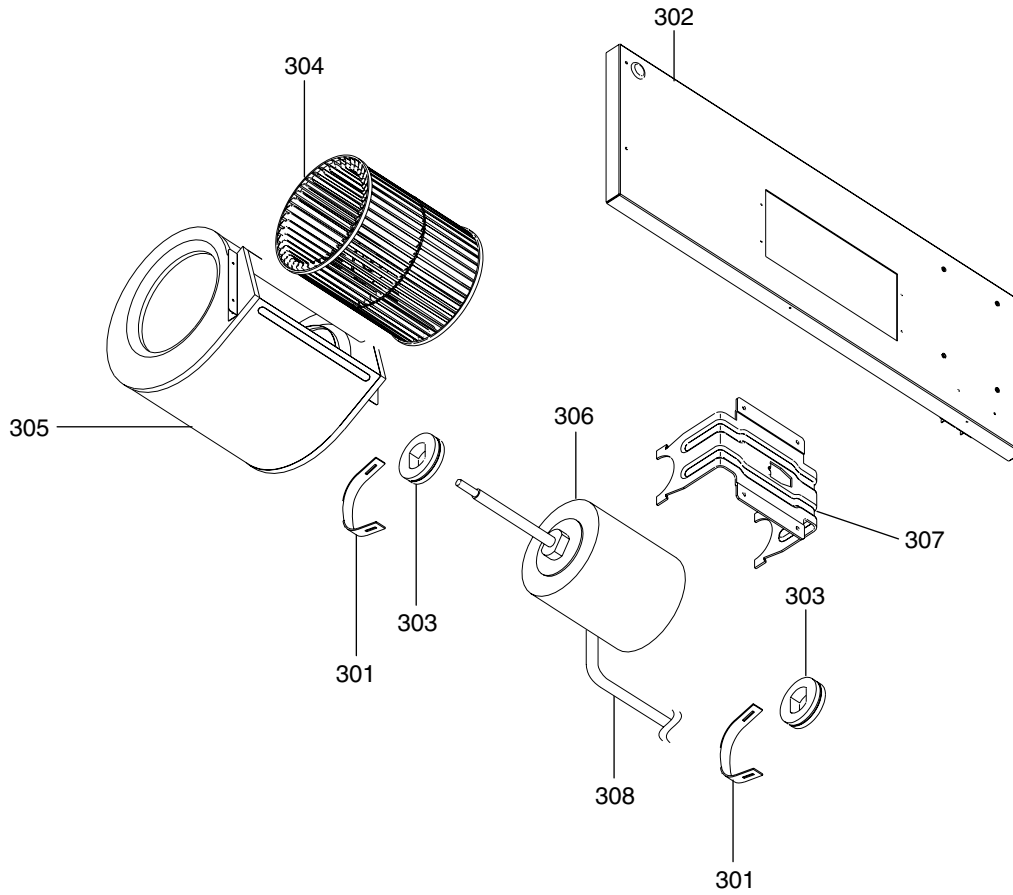
No.	Part No.	G : RoHS Apply Only W : RoHS Apply by Running Change		Spec.	PEFY-P20VMM-E	PEFY-P25VMM-E	PEFY-P32VMM-E	PEFY-P40VMM-E	PEFY-P50VMM-E	Dwg. No.	Price	Revision History
			Part Name									
101	S70 032 669G	G	Bottom plate 1		1	1	1			W639151Z03		
102	S70 031 669G	G	Bottom plate 1					1	1	W638939Z04		
103	S70 082 669G	G	Bottom plate 2 assy		1	1	1			W639152G03		B
104	S70 081 669G	G	Bottom plate 2 assy					1	1	W638940G04		B
105	S70 040 480G	G	Heat exchanger assy		1	1				W268533G14		
106	S70 041 480G	G	Heat exchanger assy				1			W268533G15		
107	S70 042 480G	G	Heat exchanger assy					1		W268533G16		
108	S70 043 480G	G	Heat exchanger assy						1	W268533G17		
109	S70 031 529G	G	Drain pan assy		1	1	1			W639154G01		
110	S70 011 529G	G	Drain pan assy					1	1	W638942G01		
111	S70 011 500G	G	Filter		1	1	1			W645496G01		
112	S70 021 500G	G	Filter					1	1	W645496G02		
113	S70 E10 097	G	Flare nut <Liquid>	<R22,R407C,R410A>	1	1	1	1		S551001H06		B
114	S70 E09 097	G	Flare nut <Gas>	<R22,R407C>					1	W905524H01		B
115	S70 E14 097	G	Flare nut <Liquid>	<R22,R407C>					1	W843440H01		B
116	S70 E13 097	G	Flare nut <Gas>	<R22,R407C,R410A>	1	1	1	1		W905525H01		
117	S70 E11 097	G	Flare nut <Gas>	<R410A>					1	W905521H01		B
118	S70 E12 097	G	Flare nut <Liquid>	<R410A>					1	W905520H01		B
119	S70 E22 401	G	LEV		1	1	1	1	1	P632408X02		B
120	S70 NR0 480	G	H.EX.Diffuser Plate		2	2	2	2	2	BG25T143H02		

PEFY-P63,P71,P80VMM-E  
PEFY-P100,P125,P140VMM-E

EXTERNAL PARTS (2)



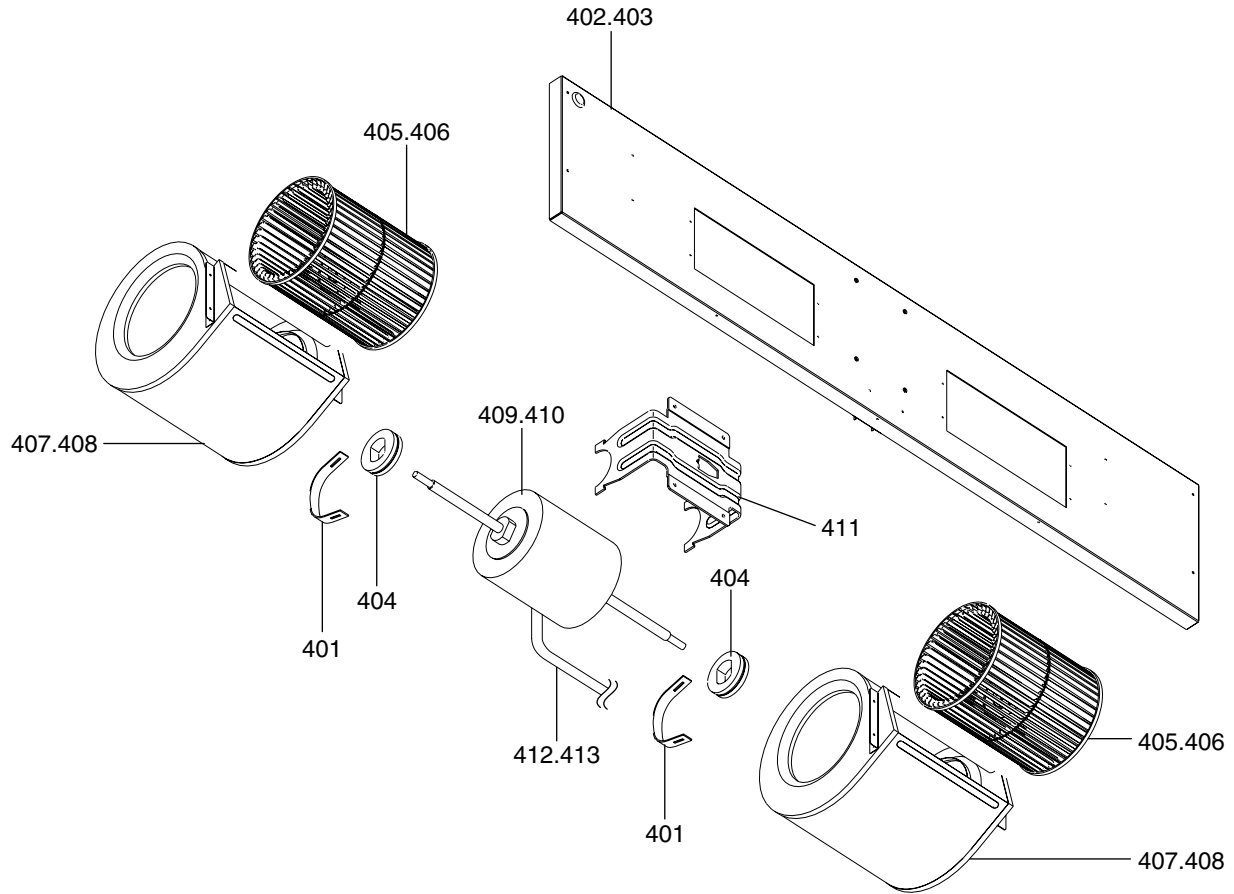




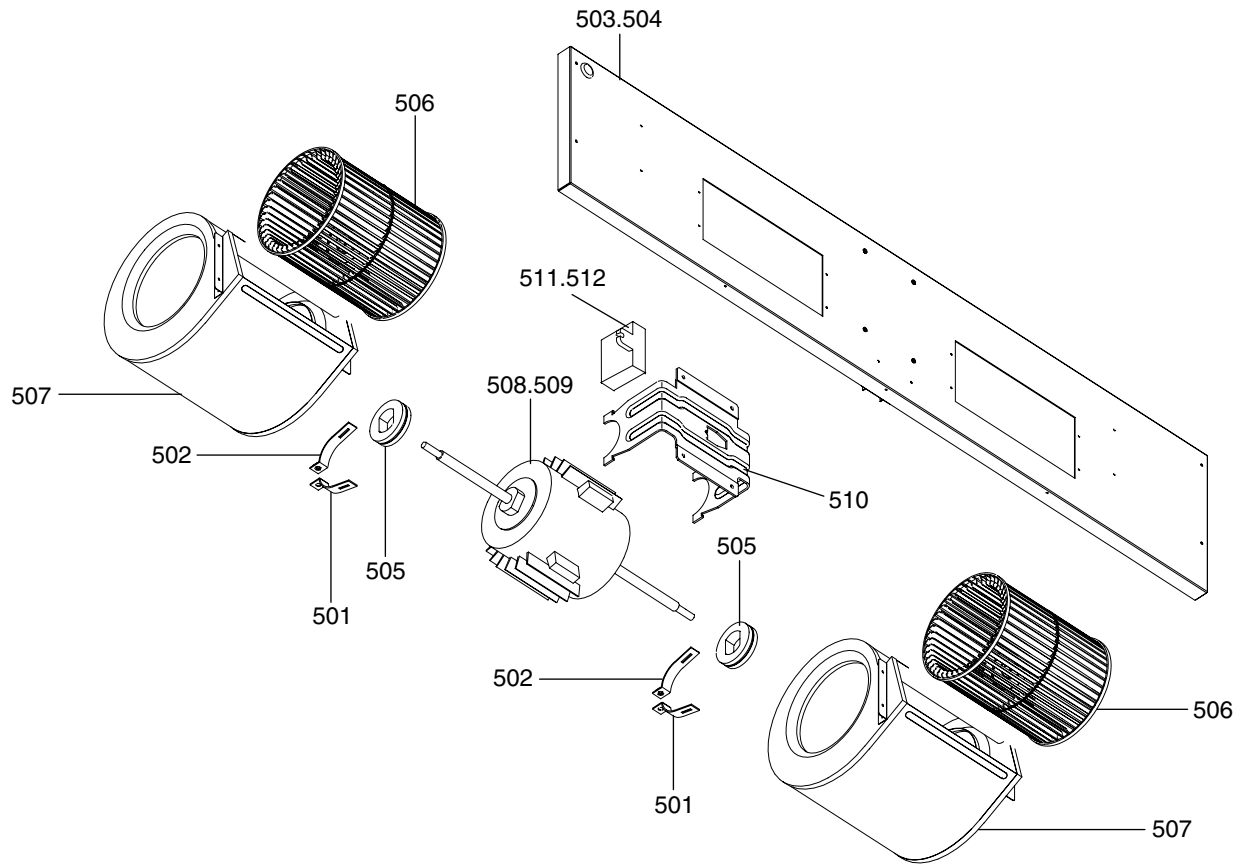
No.	Part No.	G : RoHS Apply Only W : RoHS Apply by Running Change		Spec.	PEFY-P20VMM-E	PEFY-P25VMM-E	PEFY-P32VMM-E			Dwg. No.	Price	Revision History
			Part Name									
301	S70 652 131	G	Attachment		2	2	2			W353715H01		
302	S70 011 677G	G	Fan base assy		1	1	1			W639145G02		
303	S70 777 105	G	Bush		2	2	2			W843446H02		
304	S70 A89 114	G	Sirocco fan	18-23L	1	1	1			W122297G02		
305	S70 985 110G	G	Housing assy		1	1	1			W638949G04		
306	S70 Y60 220	G	Motor	<MF>	1	1	1			P714425X01		
307	S70 Y61 130	G	Motor support		1	1	1			W252768H01		
308	S70 Y77 320	G	Lead wire assy		1	1	1			W882178G04		B

PEFY-P40,P50,P63VMM-E  
PEFY-P71,P80VMM-E

BLOWER PARTS (2)



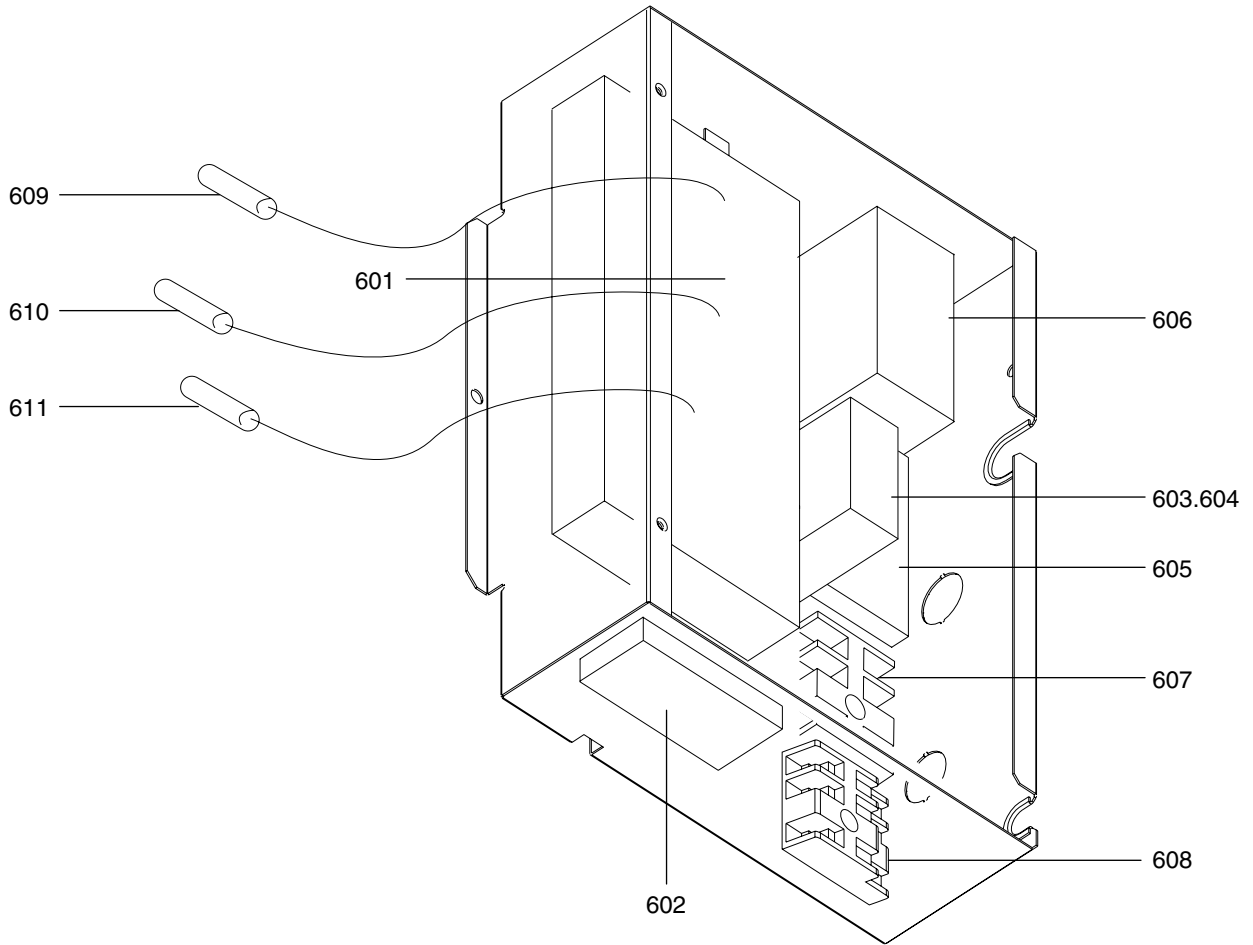
No.	Part No.	G : RoHS Apply Only W : RoHS Apply by Running Change		Spec.	PEFY-P40VMM-E	PEFY-P50VMM-E	PEFY-P63VMM-E	PEFY-P71VMM-E	PEFY-P80VMM-E	Dwg. No.	Price	Revision History
			Part Name									
401	S70 652 131	G	Attachment		2	2	2	2	2	W353715H01		
402	S70 021 677G	G	Fan base assy		1	1				W641676G02		B
403	S70 061 677G	G	Fan base assy				1	1	1	W638905G04		B
404	S70 777 105	G	Bush		2	2	2	2	2	W843446H02		
405	S70 A88 114	G	Sirocco fan	18-18L	2	2				W122296G02		
406	S70 A89 114	G	Sirocco fan	18-23L			2	2	2	W122297G02		
407	S70 989 110G	G	Housing assy		2	2				W638949G03		
408	S70 985 110G	G	Housing assy				2	2	2	W638949G04		
409	S70 Y61 220	G	Motor	<MF>	1	1				P714079X02		
410	S70 Y62 220	G	Motor	<MF>			1	1	1	P714561X01		
411	S70 Y61 130	G	Motor support		1	1	1	1	1	W252768H01		
412	S70 Y77 321	G	Lead wire assy		1	1				W882178G05		B
413	S70 Y77 322	G	Lead wire assy				1	1	1	W882178G06		B



No.	Part No.	G : RoHS Apply Only W : RoHS Apply by Running Change		Spec.	PEFY-P100VMM-E	PEFY-P125VMM-E	PEFY-P140VMM-E			Dwg. No.	Price	Revision History
			Part Name									
501	S70 508 131	G	Piece		2	2	2			R302K338H02		
502	S70 508 132	G	Piece	with a nut	2	2	2			R302K338G82		
503	S70 081 677G	G	Fan base assy		1	1				W634079G02		B
504	S70 091 677G	G	Fan base assy				1			W634077G02		B
505	S70 Y01 105	G	Bush		2	2	2			W860050H02		
506	S70 Y07 114G	G	Sirocco fan	20-25L	2	2	2			W631126G02		
507	S70 001 110G	G	Housing assy		2	2	2			W631120G02		
508	S70 Y63 220	G	Motor	<MF>	1					P714778X01		
509	S70 Y64 220	G	Motor	<MF>		1	1			P714779X01		
510	S70 Y08 130	G	Leg		1	1	1			W631122Z04		
511	S70 050 255	G	Capacitor 8	<C>	1					P412190X01		
512	S70 020 255	G	Capacitor 16	<C>		2	2			P412223X01		

PEFY-P20,P25,P32,P40VMM-E  
 PEFY-P50,P63,P71,P80VMM-E

CONTROL BOX PARTS (1)

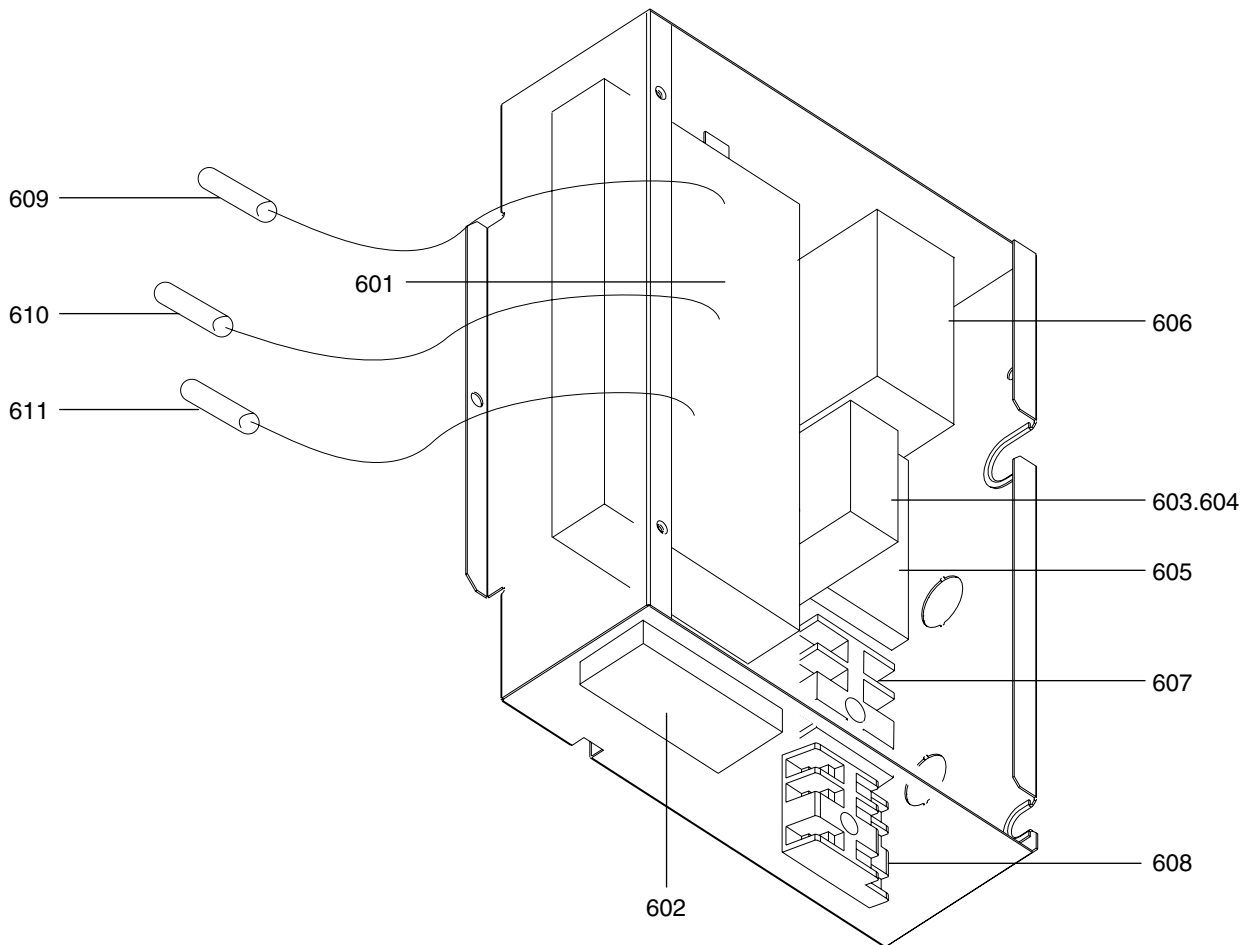


No.	Part No.	G : RoHS Apply Only W : RoHS Apply by Running Change		Spec.	PEFY-P20VMM-E	PEFY-P25VMM-E	PEFY-P32VMM-E	PEFY-P40VMM-E	PEFY-P50VMM-E	PEFY-P63VMM-E	Dwg. No.	Price	Revision History
			Part Name										
601	S70 101 310	G	Controller board	I.B.	1	1	1	1	1	1	PP00069B37-JP		B
602	S70 102 310	G	Power board	A.B.	1	1	1	1	1	1	PP00070B07-JP		B
603	S70 810 255	G	Capacitor 5.5		1	1	1	1	1	1	W916389H01		B
604	S70 910 255	G	Capacitor 8								W916389H03		B
605	S70 041 310	G	P.W.B. General assy	S.B.	1	1	1	1	1	1	PP00003B01		
606	S70 030 799G	G	Transformer	T	1	1	1	1	1	1	P715342X01		
607	S70 979 717	G	Terminalbed	TB2	1	1	1	1	1	1	P436110X01		
608	S70 980 717	G	Terminalbed	TB5/TB15	1	1	1	1	1	1	P436114X03		
609	S70 080 202	G	Thermistor	TH22	1	1	1	1	1	1	KB71C348H12		B
610	S70 090 202	G	Thermistor	TH23	1	1	1	1	1	1	BG71V162H12		B
611	S70 070 202	G	Thermistor	TH21	1	1	1	1	1	1	BG71V161H02		B

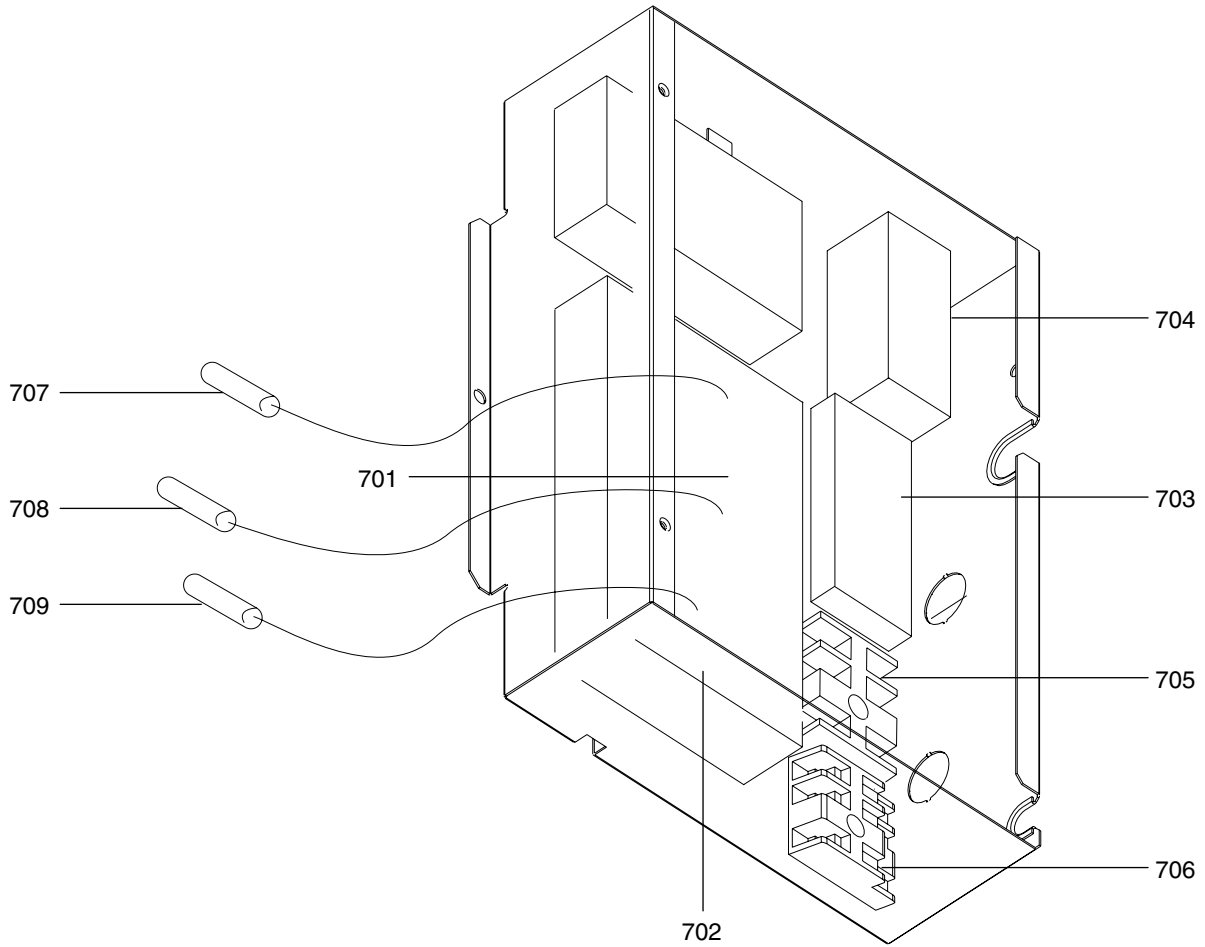


PEFY-P20,P25,P32,P40VMM-E  
 PEFY-P50,P63,P71,P80VMM-E

CONTROL BOX PARTS (1)



No.	Part No.	G : RoHS Apply Only W : RoHS Apply by Running Change		Spec.	PEFY-P71VMM-E	PEFY-P80VMM-E				Dwg. No.	Price	Revision History
			Part Name									
601	S70 101 310	G	Controller board	I.B.	1	1				PP00069B37-JP		B
602	S70 102 310	G	Power board	A.B.	1	1				PP00070B07-JP		B
603	S70 810 255	G	Capacitor 5.5							W916389H01		B
604	S70 910 255	G	Capacitor 8		1	1				W916389H03		B
605	S70 041 310	G	P.W.B. General assy	S.B.	1	1				PP00003B01		
606	S70 030 799G	G	Transformer	T	1	1				P715342X01		
607	S70 979 717	G	Terminalbed	TB2	1	1				P436110X01		
608	S70 980 717	G	Terminalbed	TB5/TB15	1	1				P436114X03		
609	S70 080 202	G	Thermistor	TH22	1	1				KB71C348H12		B
610	S70 090 202	G	Thermistor	TH23	1	1				BG71V162H12		B
611	S70 070 202	G	Thermistor	TH21	1	1				BG71V161H02		B



No.	Part No.	G : RoHS Apply Only W : RoHS Apply by Running Change		Spec.	PEFY-P100VMM-E	PEFY-P125VMM-E	PEFY-P140VMM-E			Dwg. No.	Price	Revision History
			Part Name									
701	S70 104 310	G	Controller board	I.B.	1	1	1			PP00204B37-JP		B
702	S70 105 310	G	Power board	A.B.	1	1	1			PP00205B07-JP		B
703	S70 041 310	G	P.W.B. General assy	S.B.	1	1	1			PP00003B01		
704	S70 030 799G	G	Transformer	T	1	1	1			P715342X01		
705	S70 979 717	G	Terminalbed	TB2	1	1	1			P436110X01		
706	S70 980 717	G	Terminalbed	TB5/TB15	1	1	1			P436114X03		
707	S70 080 202	G	Thermistor	TH22	1	1	1			KB71C348H12		B
708	S70 090 202	G	Thermistor	TH23	1	1	1			BG71V162H12		B
709	S70 070 202	G	Thermistor	TH21	1	1	1			BG71V161H02		B

