

# SERVICE PARTS LIST FOR MITSUBISHI ELECTRIC PACKAGED AIR-CONDITIONERS

**Series : CMB**

**REVISED**

**Dec. 2013**

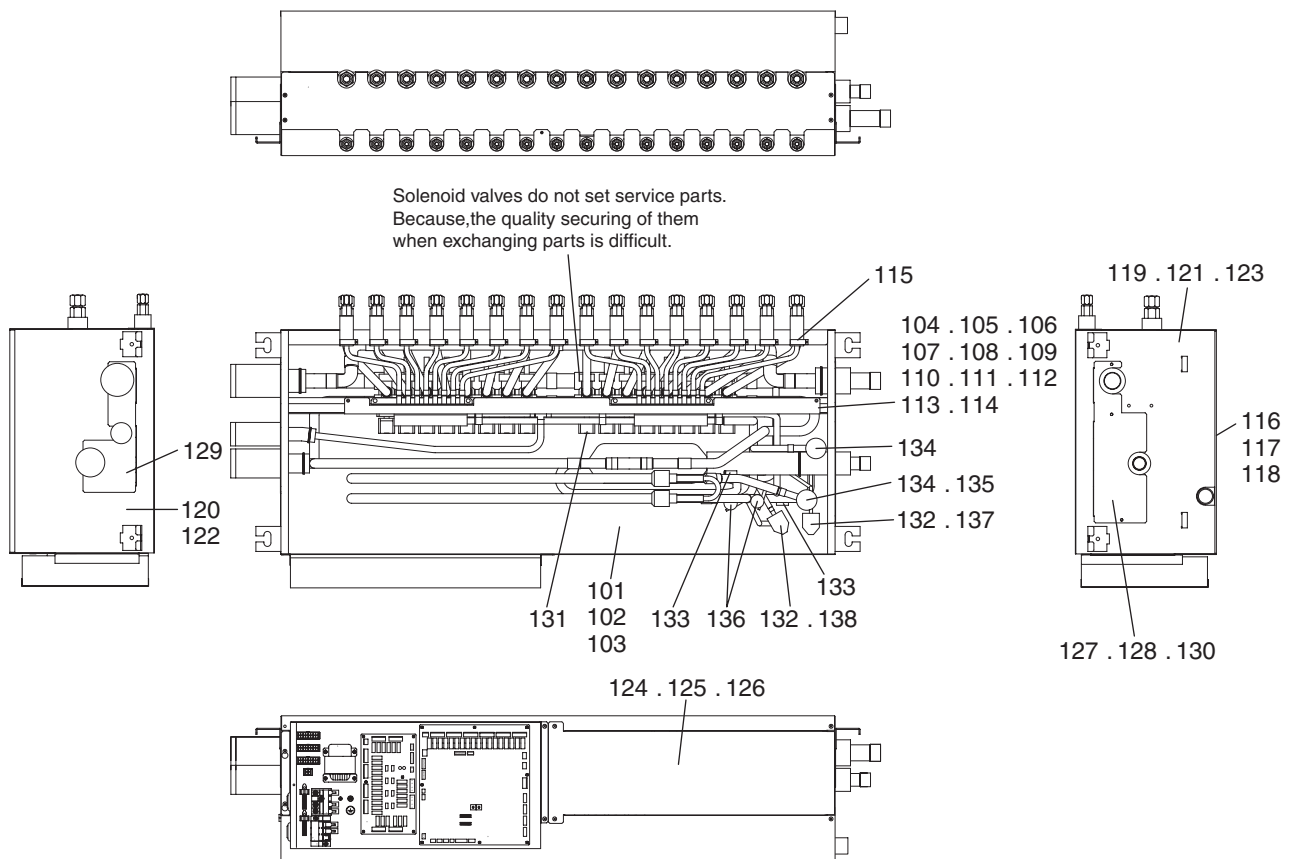
**BWE0202C**

<b>INDEX</b>
<b>CMB-P104V-F</b>
<b>CMB-P105V-F</b>
<b>CMB-P106V-F</b>
<b>CMB-P108V-F</b>
<b>CMB-P1010V-F</b>
<b>CMB-P1013V-F</b>
<b>CMB-P1016V-F</b>
<b>CMB-P108V-FA</b>
<b>CMB-P1010V-FA</b>
<b>CMB-P1013V-FA</b>
<b>CMB-P1016V-FA</b>
<b>CMB-P108V-FB</b>

Part information update day : **2013/12/17**

Please change the old catalog (issued June 2006, No.BWE0202B) to this new catalog.  
Content of revision : Some of parts are changed.



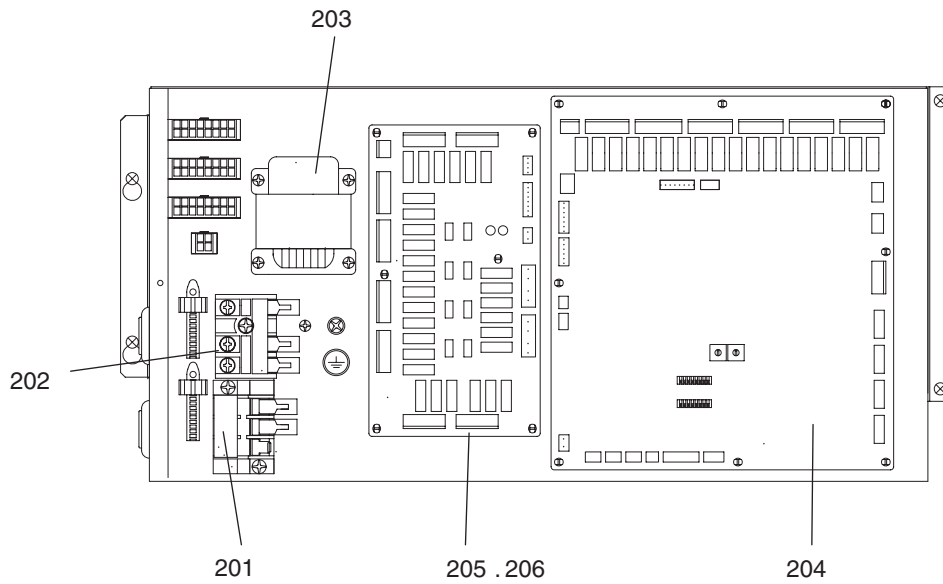


No.	Part No.	G : RoHS Apply Only W : RoHS Apply by Running Change	Part Name	Spec.	CMB-P104V-F	CMB-P105V-F	CMB-P106V-F	CMB-P108V-F	CMB-P1010V-F	CMB-P1013V-F	Dwg. No.	Notes for the models	Revision info.
101	R63 H35 529	G	Drain pan		1	1	1	1	1		W256135G32		
102	R63 M82 529	G	Drain pan	CMB F						1	W256135G33		
103	R63 M84 529	G	Drain pan	CMB-P-F							W122290G63		
104	R61 012 125	G	Wire assy	4	1						KB00L862G13		Chg.
105	R61 028 125	G	Wire assy	5		1					KB00L862G14		Chg.
106	R61 029 125	G	Wire assy	6			1				KB00L862G15		Chg.
107	R61 013 125	G	Wire assy	8				1			KB00L862G04		Chg.
108	R61 030 125	G	Wire assy	10					1		KB00L862G05		Chg.
109	R63 M82 125	G	Wire assy	13						1	KB00L863G05		
110	R63 M83 125	G	Wire assy	16							KB00L863G06		
111	R61 008 125	G	Wire assy	8FA							KB00L866G09		Chg.
112	R61 009 125	G	Wire assy	10FA							KB00L866G10		Chg.
113	R61 010 125	G	Wire assy	13FA							KB00L866G17		Chg.
114	R61 011 125	G	Wire assy	16FA							KB00L866G15		Chg.
115	R63 H35 306	G	Fixture		4	5	6	8	10	13	W875562H01		
116	R63 M77 653	G	Panel U	F104	1	1	1	1	1		W646945H01		
117	R63 M82 653	G	Panel U	F1013						1	W646945H02		
118	R63 M84 653	G	Panel U	FA108							W646945H04		
119	R63 M77 662	G	Panel SL		1	1	1	1	1	1	KD00H980G01		
120	R61 055 651	G	Panel SR		1	1	1	1	1	1	KD00H980G02		Chg.
121	R63 M80 662	G	Panel SL								KD00H980G03		
122	R61 053 651	G	Panel SR								KD00H980G04		Chg.
123	R61 054 651	G	Panel SL								KD00H980G06		Chg.
124	R63 M77 690	G	Cover B	F104	1	1	1	1	1		W893271H06		
125	R63 M82 690	G	Cover B	F1013						1	W893271H07		
126	R63 M84 690	G	Cover B	FA108							W893271H08		
127	R63 M77 667	G	Cover L		1	1	1	1	1	1	W893273H01		
128	R63 M84 667	G	Cover L								W893268H01		
129	R63 M84 668	G	Cover R								W893269H01		
130	R63 M88 668	G	Cover FB								W893270H01		
131	R63 Y09 243	G	Solenoid valve coil	SR14D C,ASSY	12	15	18	24	30	39	W905959G01		
132	R63 Y07 243	G	Solenoid valve coil	LD24514							P631245X01		
133	R61 060 200	G	Thermistor		4	4	4	4	4	4	P418065X01		Chg.
134	R61 008 401	G	Linear expansion valve	EFM-A0YGMD-1	2	2	2	2	2	2	P632458X01		Chg.
135	R61 009 401	G	Linear expansion valve	EFM-40YGMD-2							P632457X01		Chg.
136	R63 331 288	G	Pressure sensor		2	2	2	2	2	2	P419110X01		
137	R63 Y08 232	G	Solenoid valve	VF10100							W914089G03		Chg.
138	R63 Y02 232	G	Solenoid valve	VF20100							P631243X01		



CMB-P104,P105,P106,P108,P1010,P1013,P1016V-F  
CMB-P108,P1010,P1013,P1016V-FA  
CMB-P108V-FB

# CONTROL BOX PARTS







**mitsubishi electric corporation**  
HEAD OFFICE: TOKYO BLDG., 2-7-3, MARUNOUCHI, CHIYODA-KU, TOKYO 100-8310, JAPAN

---

BWE0202C (20131231)