

SERVICE PARTS LIST FOR MITSUBISHI ELECTRIC REPLACE MULTI

**Series : PUHY-P·YREM-A
PAC-KP90VCLU**

For use with the R407C

REVISED

Sep 2007

BWE0403C

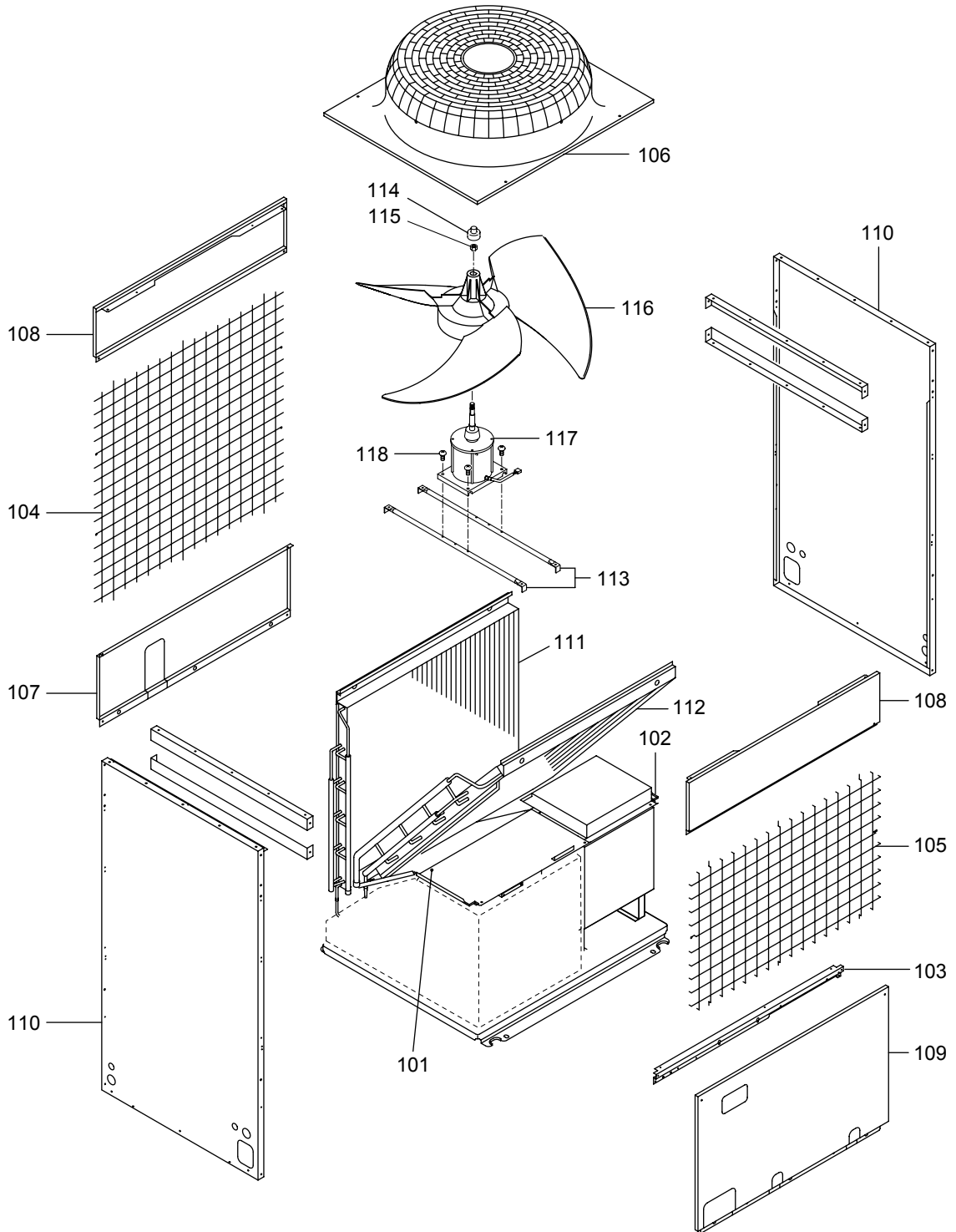
INDEX

**PUHY-P200YREM-A
PUHY-P250YREM-A
PAC-KP90VCLU**

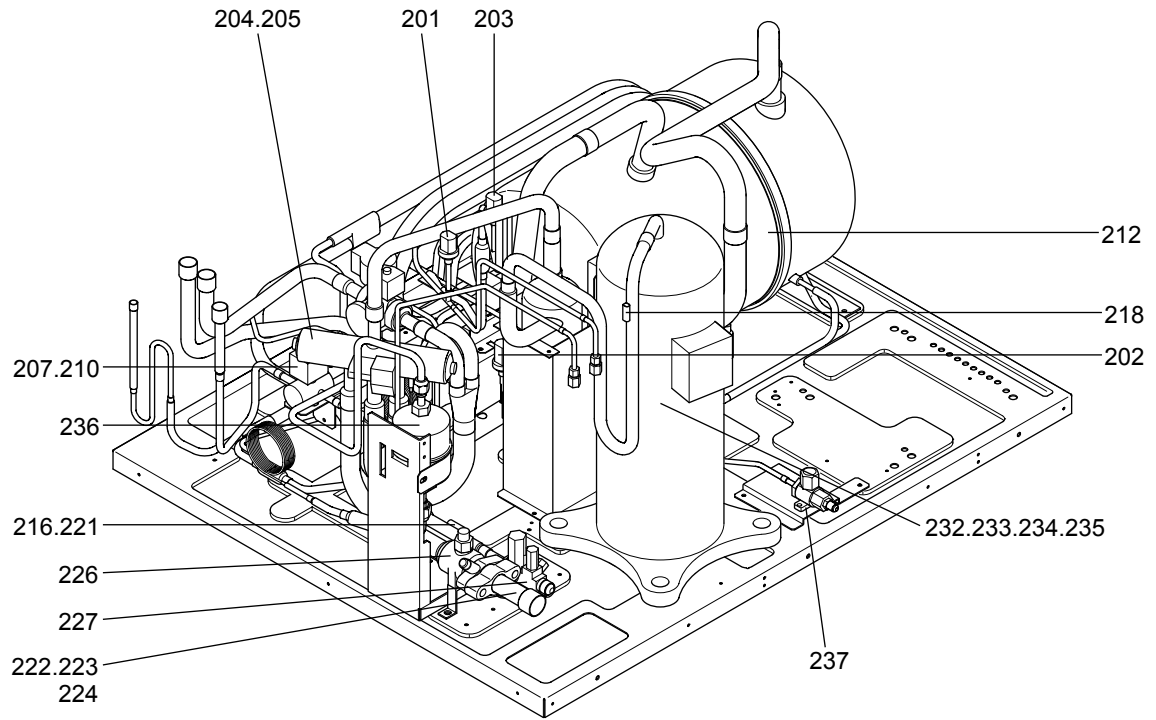


PUHY-P200YREM-A
PUHY-P250YREM-A

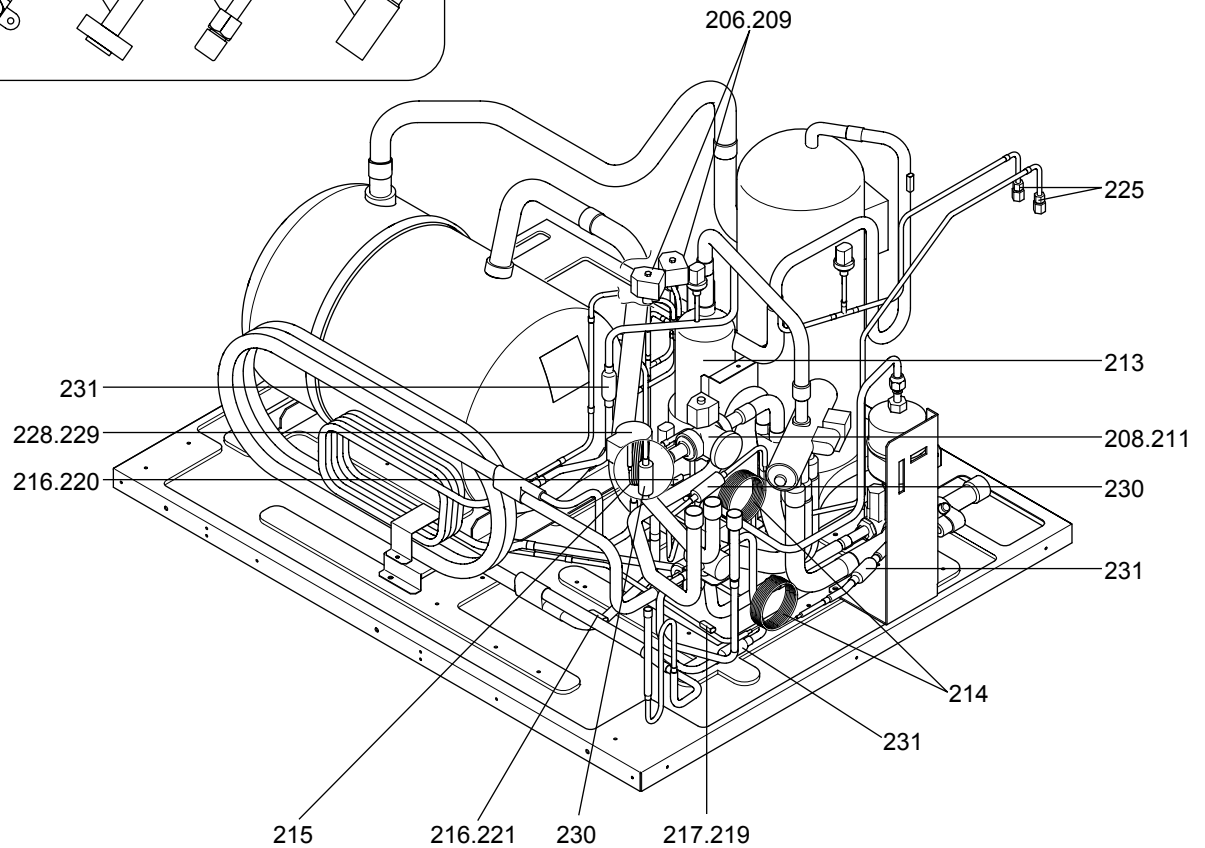
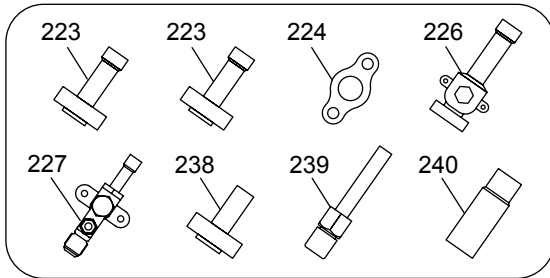
EXTERNAL PARTS



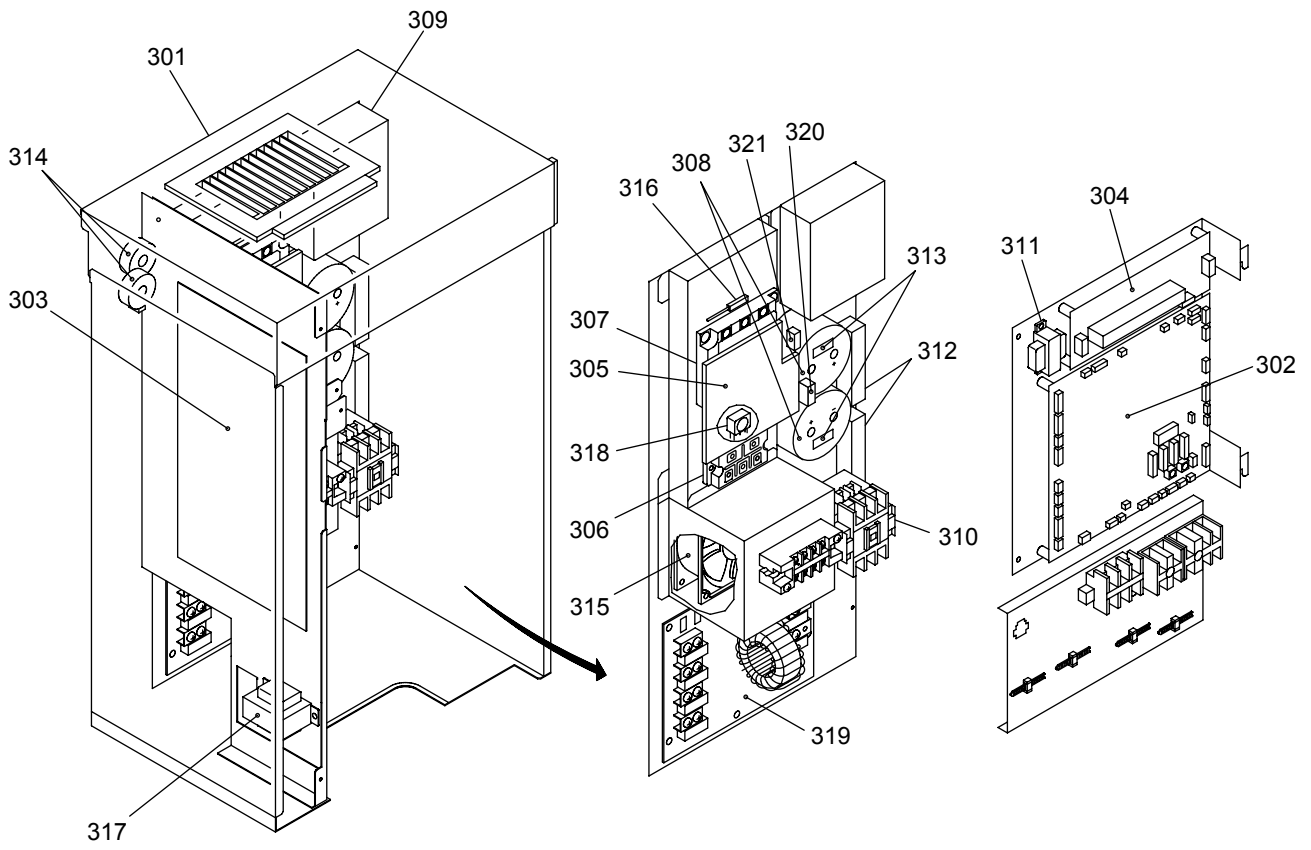
| No. | Part No. | G : RoHS Apply Only W : RoHS Apply by Running Change | | Spec. | PUHY-P200YREM-A | PUHY-P250YREM-A | | Dwg. No. | Price | Revision History |
|-----|-------------|---|-------------------|--------------|-----------------|-----------------|--|------------|-------|------------------|
| | | | Part Name | | | | | | | |
| 101 | R63 Y06 629 | G | Partition board L | | 1 | 1 | | W639800G05 | | |
| 102 | R63 Y20 629 | G | Partition board R | | 1 | 1 | | W639809G11 | | |
| 103 | R63 Y04 659 | G | Front panel | | 1 | 1 | | W627844H02 | | |
| 104 | R63 A42 638 | G | Guard B | | 1 | 1 | | W265789G01 | | |
| 105 | R63 E66 611 | G | Guard F | | 1 | 1 | | W265788G01 | | |
| 106 | R63 N78 118 | G | Fan guard | | 1 | 1 | | W126832G02 | | |
| 107 | R63 M43 677 | G | Panel B | | 1 | 1 | | W857426G21 | | |
| 108 | R63 L78 653 | G | Panel FU | | 2 | 2 | | W633746H06 | | |
| 109 | R63 Y13 652 | G | Panel F | | 1 | 1 | | W857425G26 | | |
| 110 | R63 N78 661 | G | Panel S | | 2 | 2 | | W272421H01 | | |
| 111 | R63 N78 480 | G | Heat exchanger B | | 1 | 1 | | W272407G04 | | |
| 112 | R63 N78 408 | G | Heat exchanger F | | 1 | 1 | | W272406G04 | | |
| 113 | R63 A42 140 | G | Fan stand | | 2 | 2 | | W856127G05 | | |
| 114 | R61 A69 086 | G | Cap | | 1 | 1 | | P221056X01 | | |
| 115 | R63 A42 122 | G | Nut 16 | | 1 | 1 | | P541016X01 | | |
| 116 | R63 N78 115 | G | Propeller fan | 750D | 1 | 1 | | W126814G01 | | |
| 117 | R63 Y33 221 | G | Motor | YD380VB <MF> | 1 | 1 | | P714762X01 | | |
| 118 | R63 E90 087 | G | Screw | 6×14 | 4 | 4 | | P521020X01 | | |
| | | | | | | | | | | |
| | | | | | | | | | | |
| | | | | | | | | | | |
| | | | | | | | | | | |
| | | | | | | | | | | |
| | | | | | | | | | | |
| | | | | | | | | | | |
| | | | | | | | | | | |
| | | | | | | | | | | |
| | | | | | | | | | | |
| | | | | | | | | | | |
| | | | | | | | | | | |
| | | | | | | | | | | |
| | | | | | | | | | | |
| | | | | | | | | | | |
| | | | | | | | | | | |
| | | | | | | | | | | |
| | | | | | | | | | | |
| | | | | | | | | | | |
| | | | | | | | | | | |
| | | | | | | | | | | |
| | | | | | | | | | | |
| | | | | | | | | | | |
| | | | | | | | | | | |



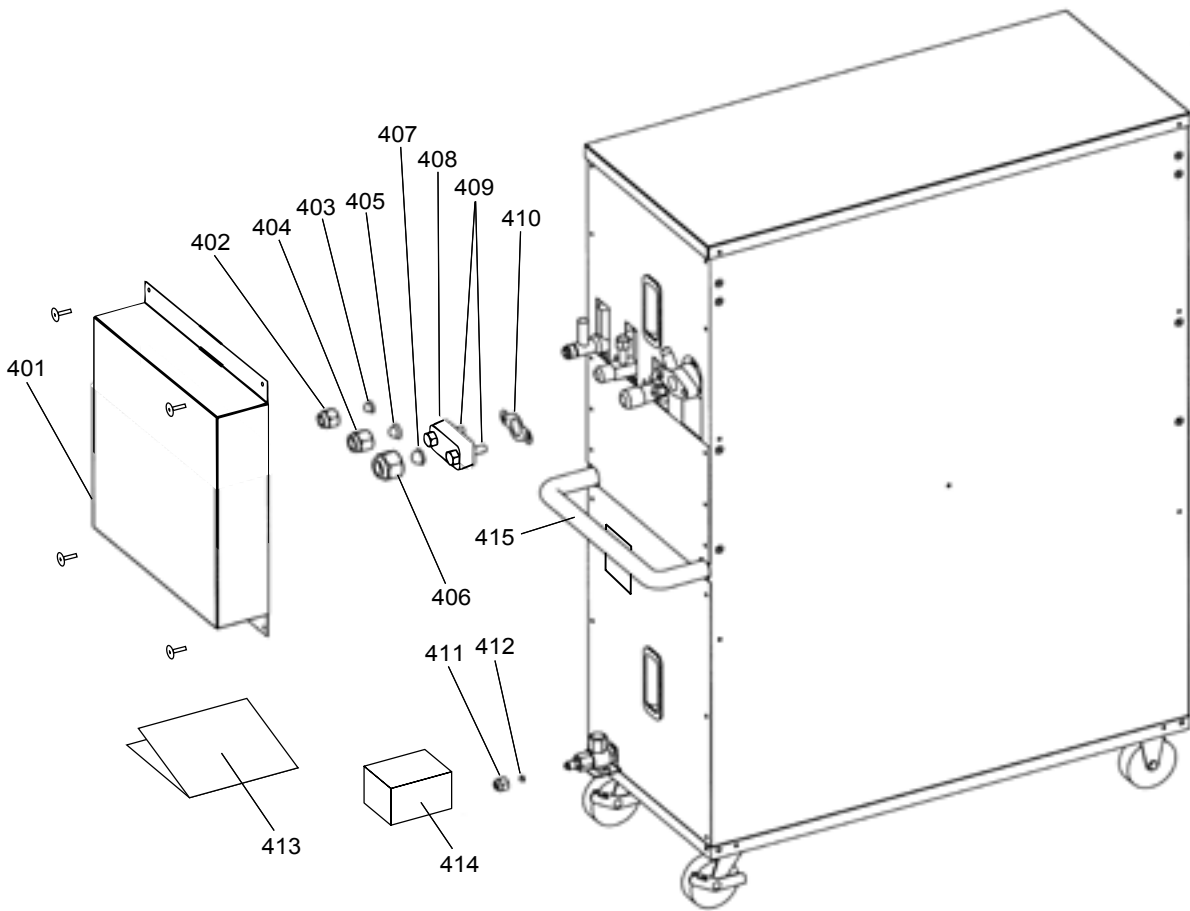
accessories



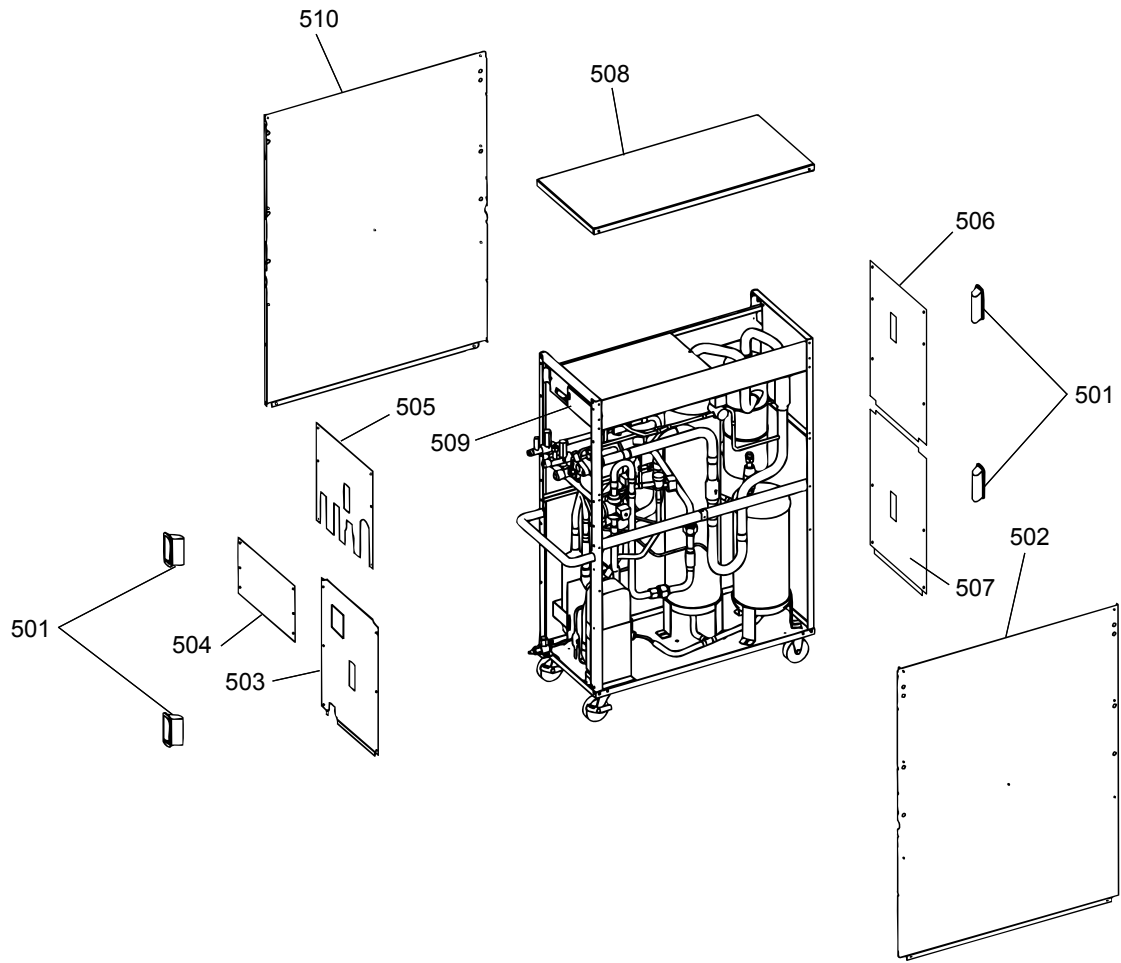
| No. | Part No. | G : RoHS Apply Only W : RoHS Apply by Running Change | | Spec. | PUHY-P200YREM-A | PUHY-P250YREM-A | | Dwg. No. | Price | Revision History |
|-----|-------------|---|-----------------------------|----------------------|-----------------|-----------------|--|-------------|-------|------------------|
| | | | Part Name | | | | | | | |
| 201 | R63 Y09 208 | G | Pressure switch | <63H> | 1 | 1 | | P426300X01 | | |
| 202 | R63 N78 288 | G | Pressure sensor | <63LS> | 1 | 1 | | P418009X01 | | |
| 203 | R63 N79 288 | G | Pressure sensor | <63HS> | 1 | 1 | | P418010X01 | | |
| 204 | R63 006 403 | G | Four way valve | | 1 | 1 | | KB00F029G03 | | |
| 205 | R63 002 242 | G | Four way valve coil | <21S4> | 1 | 1 | | W875295G05 | | |
| 206 | R63 435 232 | G | Solenoid valve | NEV202DXF | 2 | 2 | | P631807X02 | | |
| 207 | R63 449 232 | G | Solenoid valve | | 1 | 1 | | P631818X03 | | |
| 208 | R63 G57 232 | G | Solenoid valve | ST66PF | 1 | 1 | | P631227X02 | | |
| 209 | R63 Y04 243 | G | Solenoid valve coil | | 2 | 2 | | P631205X01 | | |
| 210 | R63 Y03 232 | G | Solenoid valve coil | SB18, <SV4> | 1 | 1 | | P631246X01 | | |
| 211 | R63 Y08 243 | G | Solenoid valve coil | ST, <SV3> | 1 | 1 | | P472037X01 | | |
| 212 | R63 Y31 484 | G | Accumulator | | 1 | 1 | | W271964G02 | | |
| 213 | R63 M23 487 | G | Oil separator | | 1 | 1 | | W639808G03 | | |
| 214 | R63 L85 425 | G | Capillary tube | | 2 | 2 | | W888053G01 | | |
| 215 | R63 Y07 425 | G | Capillary tube | | 1 | 1 | | W883531G01 | | |
| 216 | R63 670 202 | G | Thermistor | NTH3A14, <TH5,6,7,8> | 4 | 4 | | P425496X01 | | |
| 217 | R63 F14 200 | G | Thermistor | <TH2> | 1 | 1 | | P425565X01 | | |
| 218 | R63 671 202 | G | Thermistor | <TH1> | 1 | 1 | | P425439X01 | | |
| 219 | R63 A42 287 | G | Sensor cover | EVA,6.35D | 1 | 1 | | P227170X01 | | |
| 220 | R61 A45 287 | G | Sensor cover | EVA,12.7D | 1 | 1 | | P227171X01 | | |
| 221 | R61 A43 287 | G | Sensor cover | EVA,16D | 2 | 2 | | P227172X01 | | |
| 222 | R63 9F3 441 | G | Pipe assy | | 1 | | | W663334G03 | | |
| 223 | R63 9F2 442 | G | Pipe assy | | 2 | 3 | | W663334G04 | | |
| 224 | R61 F14 514 | G | Packing | T/#1991-NF | 2 | 2 | | P321009X01 | | |
| 225 | R63 F14 413 | G | Check joint | | 2 | 2 | | P639131X01 | | |
| 226 | R63 Y11 410 | G | Ball valve | P-25.4 | 2 | 2 | | P636311X02 | | |
| 227 | R63 N79 410 | G | Ball valve | B1/2F | 2 | 2 | | P636280X01 | | |
| 228 | R63 N78 401 | G | Linear expansion valve | ZCAM | 1 | 1 | | P632396X01 | | |
| 229 | R63 N78 402 | G | Linear expansion valve coil | <LEV1> | 1 | 1 | | P632397X02 | | |
| 230 | R63 155 454 | G | Strainer | 6.35D | 2 | 2 | | W882822G01 | | |
| 231 | R63 A42 454 | G | Strainer | 9.52D | 3 | 3 | | W882823G01 | | |
| 232 | R66 A20 478 | G | Scroll compressor | HEB92FA-YRB | 1 | 1 | | EP10079G06 | | |
| 233 | R61 Y08 262 | G | Belt heater | 240V 45W, <CH1> | 1 | 1 | | P493642X02 | | |
| 234 | R63 Y01 850 | G | Insulator | | 1 | 1 | | W628447H02 | | |
| 235 | R63 Y02 850 | G | Insulator | | 1 | 1 | | W861746H02 | | |
| 236 | R63 M57 405 | G | Drier | | 1 | 1 | | P641114X01 | | |
| 237 | R61 008 410 | G | Ball valve | BSV1/4 | 1 | 1 | | P636348X01 | | C |
| 238 | R63 Y09 494 | G | Pipe assy | | 1 | 1 | | W914997G01 | | |
| 239 | R63 Y02 490 | G | Joint assy | | 1 | 1 | | W906972G02 | | |
| 240 | R63 Y03 490 | G | Joint L | | 1 | 1 | | W849801H25 | | |
| | | | | | | | | | | |
| | | | | | | | | | | |
| | | | | | | | | | | |
| | | | | | | | | | | |
| | | | | | | | | | | |



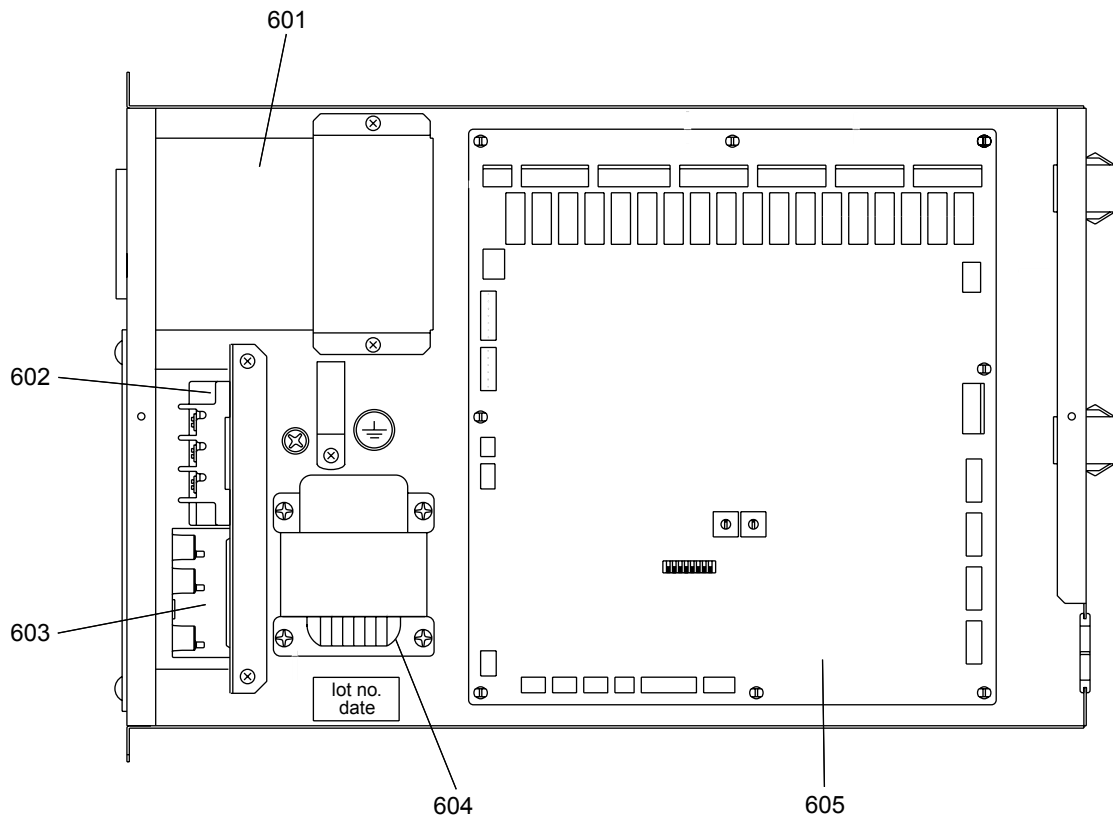
| No. | Part No. | G : RoHS Apply Only W : RoHS Apply by Running Change | Part Name | Spec. | PUHY-P200YREM-A | PUHY-P250YREM-A | | | Dwg. No. | Price | Revision History |
|-----|-------------|---|----------------------|--------------------------|-----------------|-----------------|--|--|------------|-------|------------------|
| | | | | | | | | | | | |
| 301 | R63 Y15 305 | G | Control box | | 1 | 1 | | | W272682G04 | | |
| 302 | R63 Y44 281 | G | Main board | | 1 | 1 | | | W272681G04 | | |
| 303 | R63 Y21 321 | G | INV board | | 1 | 1 | | | W652111G01 | | |
| 304 | R63 Y01 251 | G | Fan controller board | | 1 | 1 | | | W639913G02 | | |
| 305 | R63 Y43 280 | G | G/A board | | 1 | 1 | | | W652112G02 | | |
| 306 | R63 Y12 320 | G | Diode | DF60LB160 | 1 | 1 | | | W876941G06 | | |
| 307 | R63 Y04 249 | G | IPM (Power module) | 6MBP50RA120 | 1 | 1 | | | W848413G10 | | |
| 308 | R63 Y18 252 | G | Capacitor | 400WV,4700µF <C2,3> | 2 | 2 | | | P412265X01 | | |
| 309 | R63 Y01 259 | G | Reactor | 1.92mH/34A <DCL> | 1 | 1 | | | P419149X01 | | |
| 310 | R63 Y28 225 | G | Magnet contactor | PAK-21J,AC240V <52C> | 1 | 1 | | | S427020H12 | | |
| 311 | R63 Y14 260 | G | Transformer | 240V/40V <T1> | 1 | 1 | | | P715302X01 | | |
| 312 | R63 Y06 234 | G | Resistor | 40W,47Ω <R1,5> | 2 | 2 | | | P411141X01 | | |
| 313 | R63 Y02 234 | G | Resistor | 10W,33kΩ,pitch=32 <R2,3> | 2 | 2 | | | P411126X01 | | |
| 314 | R63 Y02 287 | G | AC current sensor | CHJ038CP2B | 1 | 1 | | | W652122G01 | | |
| 315 | R63 Y15 118 | G | Fan | 109S025UL | 1 | 1 | | | W639916G01 | | |
| 316 | R63 F14 201 | G | Thermistor | | 1 | 1 | | | P414095X01 | | |
| 317 | R63 002 923 | G | Choke coil | 12MH 2A | 1 | 1 | | | P715421X01 | | C |
| 318 | R63 L85 252 | G | Capacitor assy | | 1 | 1 | | | W886345G01 | | |
| 319 | R63 Y10 293 | G | Noise filter | CF4030C-MX2 | 1 | 1 | | | P417003X01 | | |
| 320 | R63 A42 289 | G | DC current sensor | | 1 | 1 | | | P419079X02 | | |
| 321 | R63 Y24 252 | G | Capacitor | <C4> | 1 | 1 | | | W899149G02 | | |
| | | | | | | | | | | | |
| | | | | | | | | | | | |
| | | | | | | | | | | | |
| | | | | | | | | | | | |
| | | | | | | | | | | | |
| | | | | | | | | | | | |
| | | | | | | | | | | | |
| | | | | | | | | | | | |
| | | | | | | | | | | | |
| | | | | | | | | | | | |
| | | | | | | | | | | | |
| | | | | | | | | | | | |
| | | | | | | | | | | | |
| | | | | | | | | | | | |
| | | | | | | | | | | | |
| | | | | | | | | | | | |
| | | | | | | | | | | | |
| | | | | | | | | | | | |
| | | | | | | | | | | | |
| | | | | | | | | | | | |
| | | | | | | | | | | | |
| | | | | | | | | | | | |
| | | | | | | | | | | | |
| | | | | | | | | | | | |
| | | | | | | | | | | | |
| | | | | | | | | | | | |
| | | | | | | | | | | | |



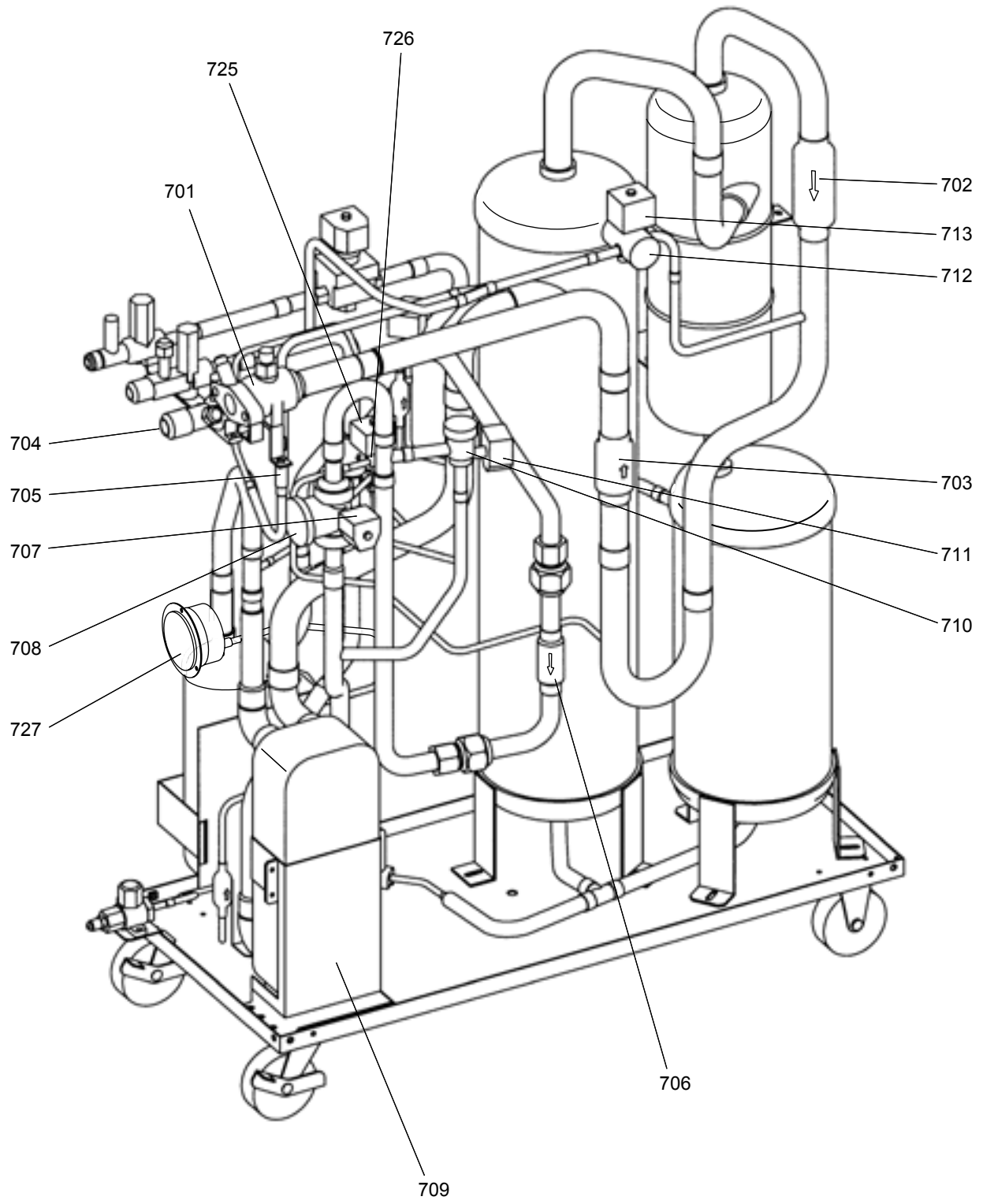
| No. | Part No. | G : RoHS Apply Only W : RoHS Apply by Running Change | | Spec. | PAC-KP90VCLU | | Dwg. No. | Price | Revision History |
|-----|-------------|---|----------------------|-------|--------------|--|-------------|-------|------------------|
| | | | Part Name | | | | | | |
| 401 | R63 M03 667 | G | Panel cover | | 1 | | W892683G01 | | |
| 402 | R63 M03 122 | G | Flare nut | 3/4 | 1 | | W457611H05 | | |
| 403 | R63 M03 812 | G | Cap | 3/4 | 1 | | W444213H05 | | |
| 404 | R63 M04 122 | G | Flare nut | 5/8 | 1 | | S551001H02 | | |
| 405 | R63 M04 812 | G | Cap | 5/8 | 1 | | W444213H04 | | |
| 406 | R63 M03 134 | G | Flare nut | 1/2 | 1 | | S551001H01 | | |
| 407 | R63 M03 813 | G | Cap | 1/2 | 1 | | W444213H03 | | |
| 408 | R63 M03 457 | G | Flange | | 1 | | W881044H02 | | |
| 409 | R63 M04 306 | G | Bolt | 10×40 | 2 | | B512H074H17 | | |
| 410 | R61 F14 514 | G | Gasket | | 1 | | P321009X01 | | |
| 411 | R63 M04 134 | G | Flare nut | 1/4 | 1 | | W457611H01 | | |
| 412 | R61 M04 813 | G | Cap | 1/4 | 1 | | W444213H01 | | |
| 413 | R63 M03 622 | G | Low temperature hood | | 1 | | W650296G01 | | |
| 414 | R63 Y12 410 | G | Ball valve cover | | 1 | | W906965G01 | | |
| 415 | R63 Y01 030 | G | Handle | | 2 | | W891598H01 | | |
| | | | | | | | | | |
| | | | | | | | | | |
| | | | | | | | | | |
| | | | | | | | | | |

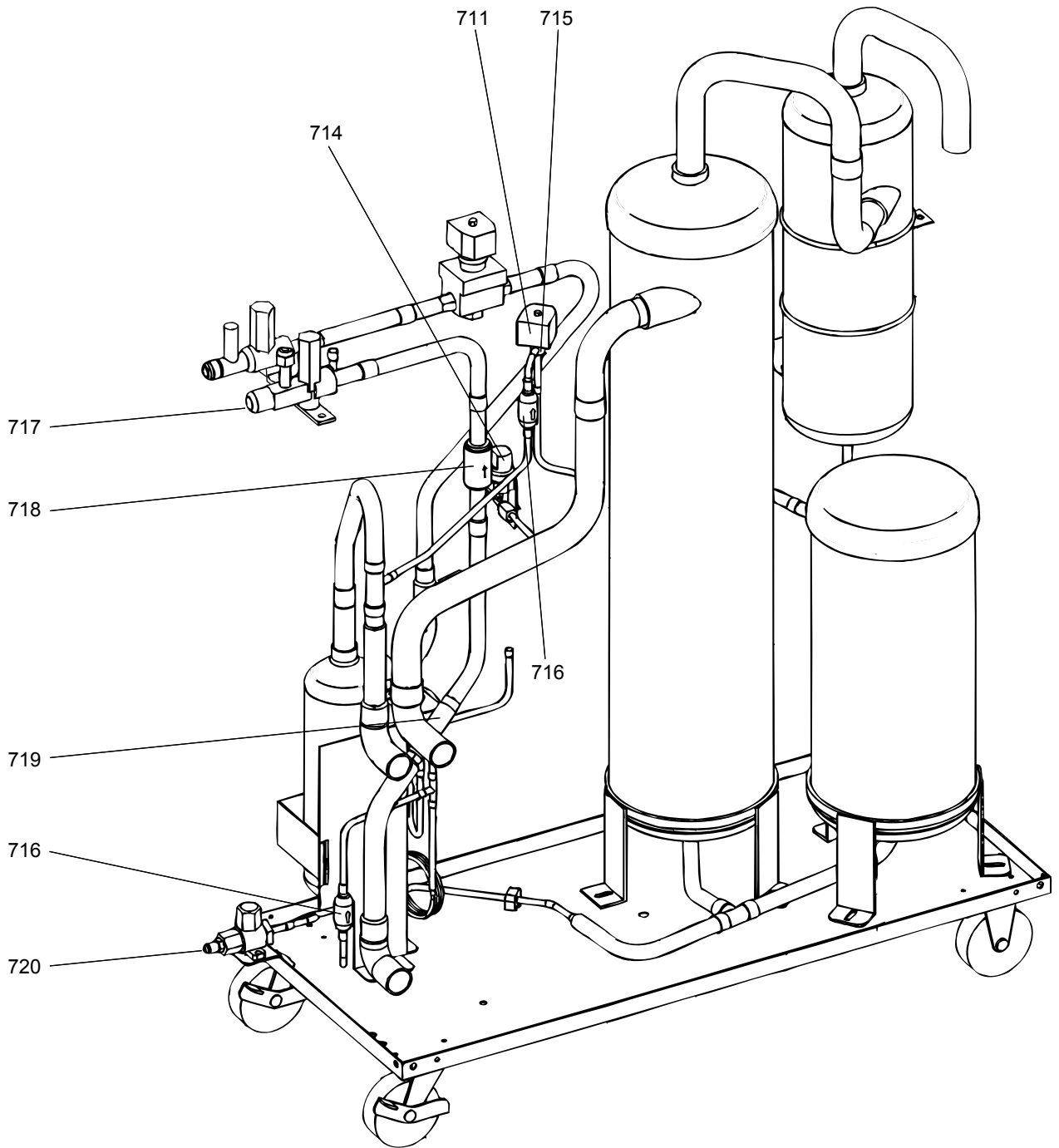


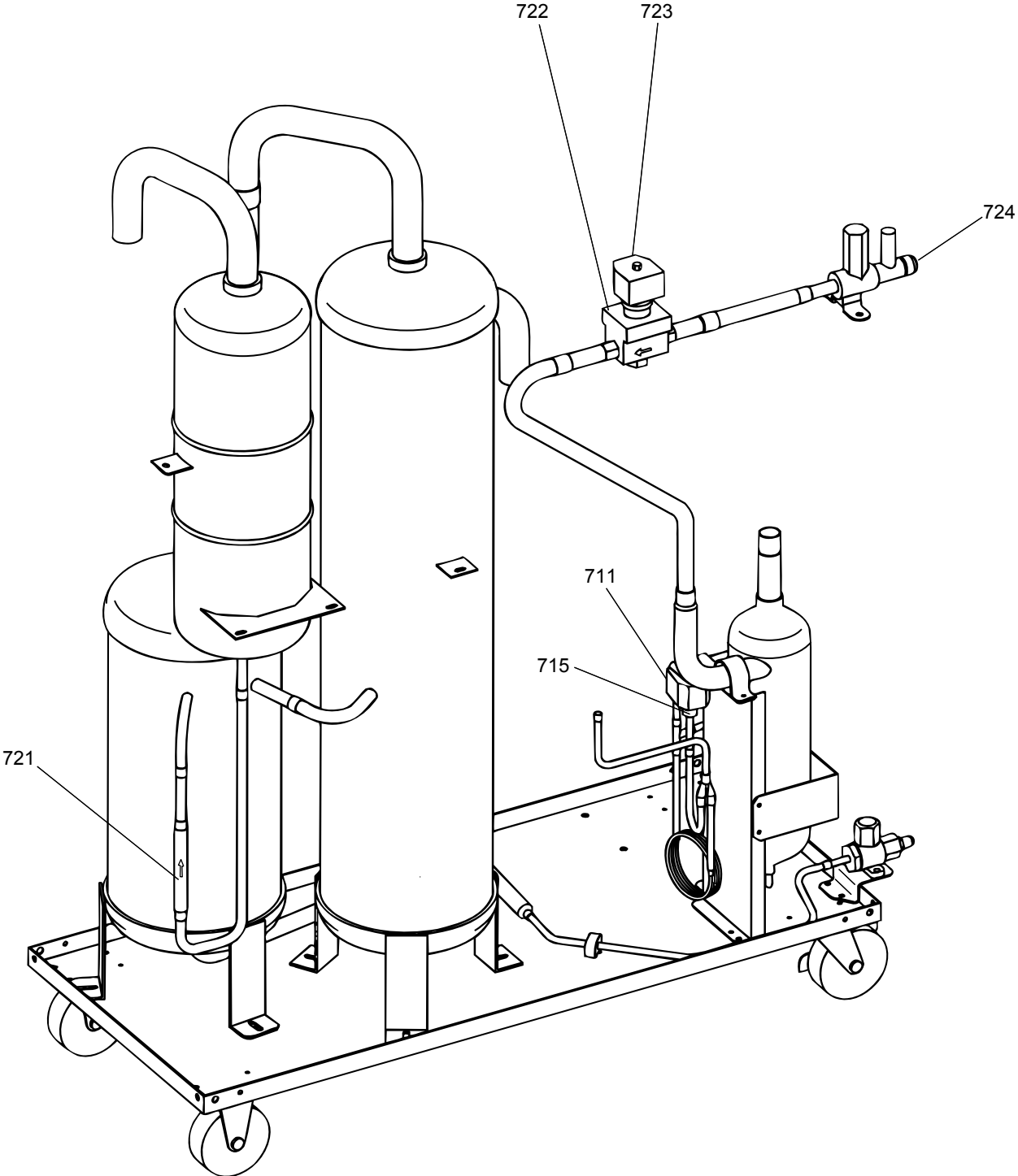
| No. | Part No. | G : RoHS Apply Only W : RoHS Apply by Running Change | | Spec. | PAC-KP90VCLU | | | Dwg. No. | Price | Revision History |
|-----|-------------|---|------------------|-------|--------------|--|--|-------------|-------|------------------|
| | | | Part Name | | | | | | | |
| 501 | R63 K46 030 | G | Handle grip | | 4 | | | BG25J978H04 | | |
| 502 | R63 Y26 652 | G | Panel front,back | | 1 | | | W271358G03 | | |
| 503 | R63 Y27 652 | G | Panel left 1 | | 1 | | | W646279G04 | | |
| 504 | R63 M04 663 | G | Panel left 3 | | 1 | | | W891579G02 | | |
| 505 | R63 M03 664 | G | Panel left 4 | | 1 | | | W646200G02 | | |
| 506 | R63 Y28 652 | G | Panel right 1 | | 1 | | | W650213G01 | | |
| 507 | R63 Y29 652 | G | Panel right 2 | | 1 | | | W650214G01 | | |
| 508 | R63 M03 641 | G | Panel top | | 1 | | | W645343G01 | | |
| 509 | R63 M03 465 | G | Brock plate | | 1 | | | W891583H01 | | |
| 510 | R63 Y30 652 | G | Panel back assy | | 1 | | | W646280G03 | | |
| | | | | | | | | | | |
| | | | | | | | | | | |
| | | | | | | | | | | |
| | | | | | | | | | | |
| | | | | | | | | | | |
| | | | | | | | | | | |
| | | | | | | | | | | |
| | | | | | | | | | | |
| | | | | | | | | | | |
| | | | | | | | | | | |
| | | | | | | | | | | |

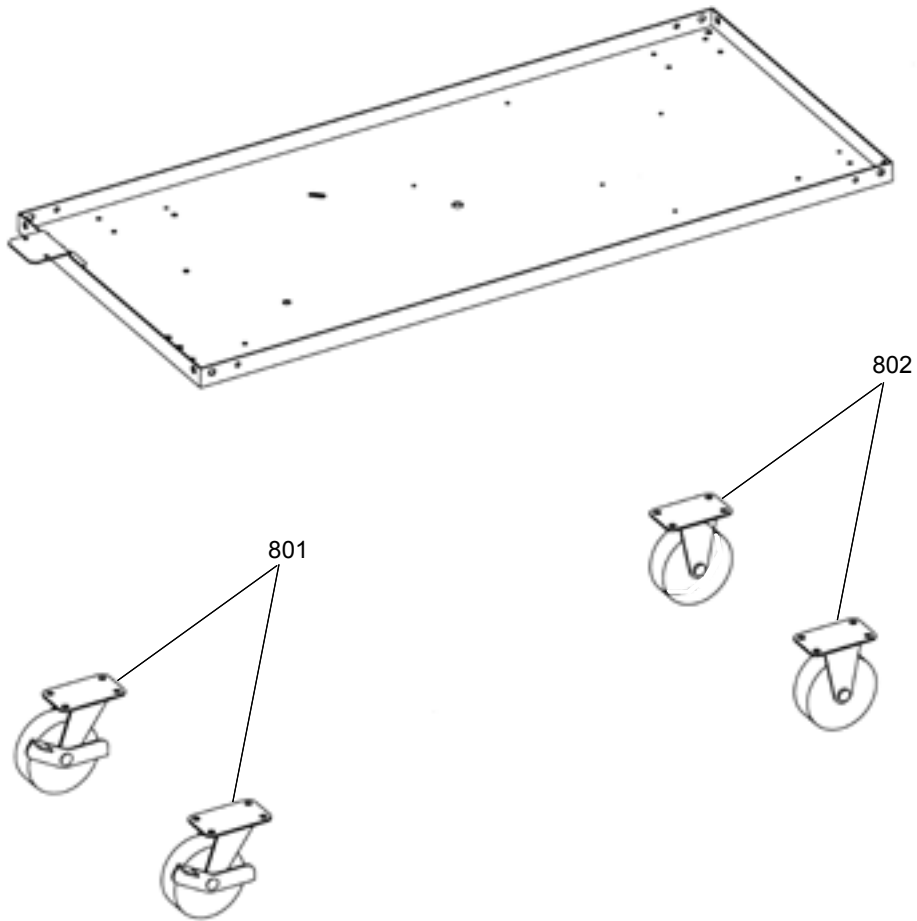


| No. | Part No. | G : RoHS Apply Only W : RoHS Apply by Running Change | | Spec. | PAC-KP90VCLU | | | Dwg. No. | Price | Revision History |
|-----|-------------|---|-------------------------------|------------|--------------|--|--|------------|-------|------------------|
| | | | Part Name | | | | | | | |
| 601 | R63 Y01 325 | G | SF55MN assy | | 1 | | | W891585G03 | | |
| 602 | R63 Y02 715 | G | Terminal block (Control) | <TB02> | 1 | | | W834188H02 | | |
| 603 | R63 979 247 | G | Terminal block (Power source) | <TB01> | 1 | | | P436110X01 | | |
| 604 | R63 Y20 260 | G | Transformer | 240V/24.2V | 1 | | | P715859X02 | | |
| 605 | R63 M03 280 | G | Board assy | | 1 | | | W266227G02 | | |
| | | | | | | | | | | |
| | | | | | | | | | | |
| | | | | | | | | | | |
| | | | | | | | | | | |
| | | | | | | | | | | |
| | | | | | | | | | | |
| | | | | | | | | | | |
| | | | | | | | | | | |
| | | | | | | | | | | |
| | | | | | | | | | | |
| | | | | | | | | | | |
| | | | | | | | | | | |
| | | | | | | | | | | |
| | | | | | | | | | | |
| | | | | | | | | | | |
| | | | | | | | | | | |









| No. | Part No. | G : RoHS Apply Only W : RoHS Apply by Running Change | | Spec. | PAC-KP90VCLU | | | Dwg. No. | Price | Revision History |
|-----|-------------|---|-----------------|-------|--------------|--|--|------------|-------|------------------|
| | | | Part Name | | | | | | | |
| 801 | R63 E63 758 | G | Caster (Swivel) | | 2 | | | P619045X01 | | |
| 802 | R63 E63 757 | G | Caster (Fixed) | | 2 | | | P619046X01 | | |
| | | | | | | | | | | |
| | | | | | | | | | | |
| | | | | | | | | | | |
| | | | | | | | | | | |
| | | | | | | | | | | |
| | | | | | | | | | | |
| | | | | | | | | | | |
| | | | | | | | | | | |
| | | | | | | | | | | |
| | | | | | | | | | | |
| | | | | | | | | | | |
| | | | | | | | | | | |
| | | | | | | | | | | |
| | | | | | | | | | | |
| | | | | | | | | | | |
| | | | | | | | | | | |
| | | | | | | | | | | |
| | | | | | | | | | | |
| | | | | | | | | | | |

