

# SERVICE PARTS LIST FOR MITSUBISHI ELECTRIC PACKAGED AIR-CONDITIONERS

**Series : PUD-P250YMF-C(-BS,-BF)  
PUY-P·YMF-C(-BS,-BF)  
PUHY-P·YMF-C(-BS,-BF)**

**For use with the R407C**

**REVISED**

**Apr. 2008**

**BWE0417C**

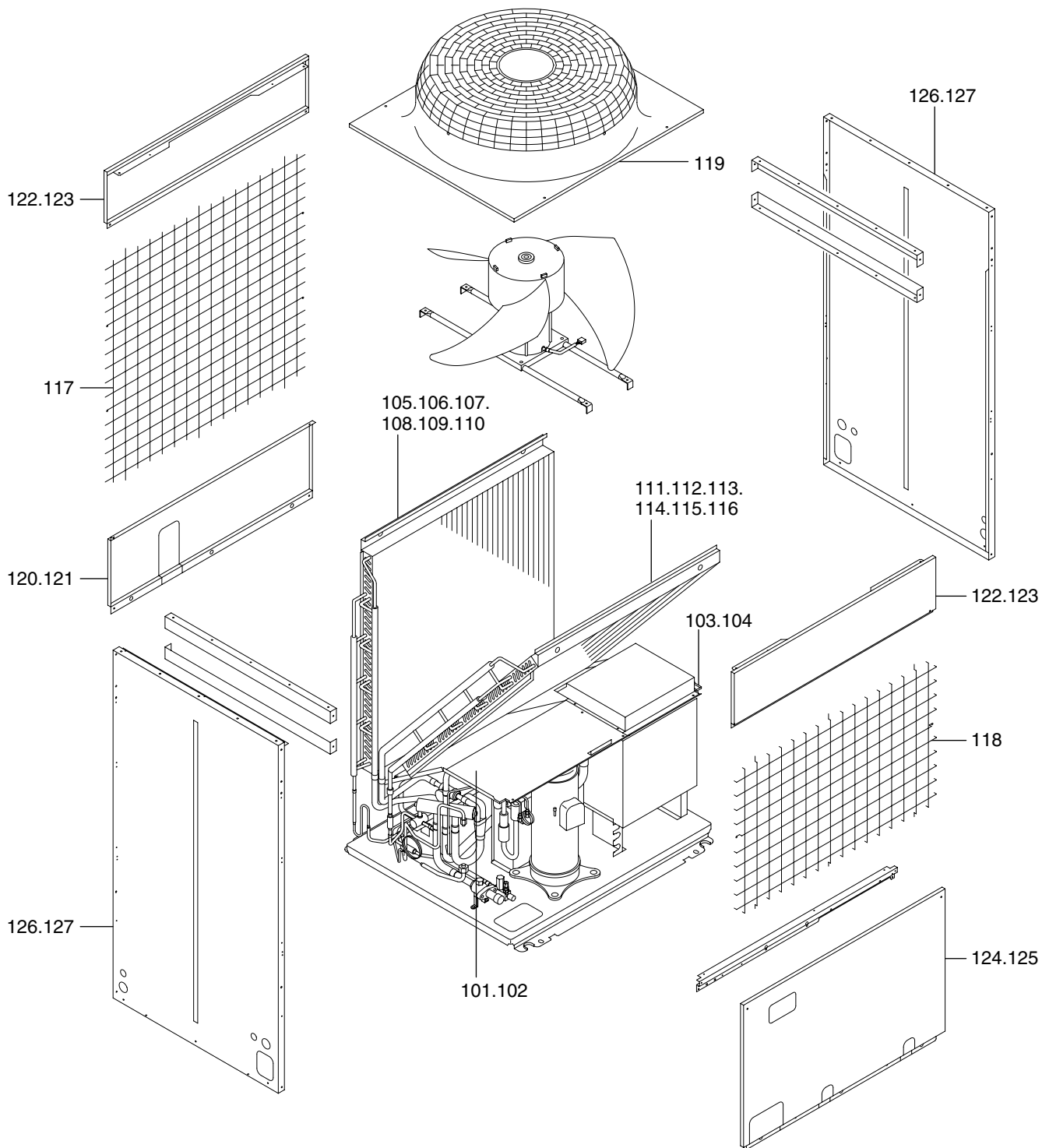
## INDEX

**PUD-P250YMF-C  
PUD-P250YMF-C-BS  
PUD-P250YMF-C-BF  
PU(H)Y-P200YMF-C  
PU(H)Y-P250YMF-C  
PU(H)Y-P200YMF-C-BS  
PU(H)Y-P250YMF-C-BS  
PU(H)Y-P200YMF-C-BF  
PU(H)Y-P250YMF-C-BF**



PUD-P250YMF-C (-BS,-BF)  
PUY-P200,P250YMF-C (-BS,-BF)  
PUHY-P200,P250YMF-C (-BS,-BF)

### EXTERNAL PARTS



PUD-P250YMF-C (-BS,-BF)  
 PUY-P200,P250YMF-C (-BS,-BF)  
 PUHY-P200,P250YMF-C (-BS,-BF)

EXTERNAL PARTS

No.	Part No.	G : RoHS Apply Only W : RoHS Apply by Running Change		Spec.	PUD-P250YMF-C	PUD-P250YMF-C-BS	PUD-P250YMF-C-BF	Dwg. No.	Price	Revision History
			Part Name							
101	R63 Y06 629	G	Partition board L assy		1		1	W639800G05		
102	R61 Y09 629	W	Partition board L assy			1		W639800G06		
103	R63 Y07 629	G	Partition board R assy		1		1	W639809G13		
104	R61 Y10 629		Partition board R assy			1		W639809G14		
105	R61 Y99 480		Heat exchanger B					W268979G11		
106	R61 Y17 481		Heat exchanger B					W268979G12		
107	R61 Y18 481		Heat exchanger B					W268979G13		
108	R63 L02 480	G	Heat exchanger B		1			W126026G30		
109	R61 L03 480	W	Heat exchanger B			1		W126026G31		
110	R63 Y19 481	G	Heat exchanger B				1	W126026G33		
111	R61 H13 409	W	Heat exchanger F					W125262G22		
112	R61 H15 409	W	Heat exchanger F					W125262G23		
113	R61 Y21 481	W	Heat exchanger F					W125262G24		
114	R63 L02 481	G	Heat exchanger F		1			W268980G16		
115	R61 L03 481	W	Heat exchanger F			1		W268980G17		
116	R63 Y22 481	G	Heat exchanger F				1	W268980G18		
117	R63 A42 638	G	Guard B assy		1	1	1	W265789G01		
118	R63 E66 611	G	Guard F assy		1	1	1	W265788G01		
119	R63 A52 118	G	Fan guard		1	1	1	W123195G01		
120	R61 Y01 677	W	Panel B assy		1		1	W615886G16		C
121	R61 Y01 677	W	Panel B assy			1		W615886G16		
122	R12 001 669	G	Panel FU		2		2	W633746G09		C
123	R12 002 669	G	Panel FU			2		W633746G10		C
124	R63 Y13 652	G	Panel F assy		1		1	W857425G50		
125	R61 Y14 652	W	Panel F assy			1		W857425G51		
126	R61 001 655	G	Panel S		2		2	W272421G04		C
127	R61 002 655	G	Panel S			2		W272421G05		C

PUD-P250YMF-C (-BS,-BF)  
 PUY-P200,P250YMF-C (-BS,-BF)  
 PUHY-P200,P250YMF-C (-BS,-BF)

EXTERNAL PARTS

No.	Part No.	G : RoHS Apply Only W : RoHS Apply by Running Change		Spec.	PUY/P200YMF-C	PUY/P250YMF-C	PUY/P200YMF-C-BS	PUY/P250YMF-C-BS	Dwg. No.	Price	Revision History
			Part Name								
101	R63 Y06 629	G	Partition board L assy		1	1			W639800G05		
102	R61 Y09 629	W	Partition board L assy				1	1	W639800G06		
103	R63 Y07 629	G	Partition board R assy		1	1			W639809G13		
104	R61 Y10 629		Partition board R assy				1	1	W639809G14		
105	R61 Y99 480		Heat exchanger B		1				W268979G11		
106	R61 Y17 481		Heat exchanger B				1		W268979G12		
107	R61 Y18 481		Heat exchanger B						W268979G13		
108	R63 L02 480	G	Heat exchanger B			1			W126026G30		
109	R61 L03 480	W	Heat exchanger B					1	W126026G31		
110	R63 Y19 481	G	Heat exchanger B						W126026G33		
111	R61 H13 409	W	Heat exchanger F		1				W125262G22		
112	R61 H15 409	W	Heat exchanger F				1		W125262G23		
113	R61 Y21 481	W	Heat exchanger F						W125262G24		
114	R63 L02 481	G	Heat exchanger F			1			W268980G16		
115	R61 L03 481	W	Heat exchanger F					1	W268980G17		
116	R63 Y22 481	G	Heat exchanger F						W268980G18		
117	R63 A42 638	G	Guard B assy		1	1	1	1	W265789G01		
118	R63 E66 611	G	Guard F assy		1	1	1	1	W265788G01		
119	R63 A52 118	G	Fan guard		1	1	1	1	W123195G01		
120	R61 Y01 677	W	Panel B assy		1	1			W615886G16		C
121	R61 Y01 677	W	Panel B assy				1	1	W615886G16		
122	R12 001 669	G	Panel FU		2	2			W633746G09		C
123	R12 002 669	G	Panel FU				2	2	W633746G10		C
124	R63 Y13 652	G	Panel F assy		1	1			W857425G50		
125	R61 Y14 652	W	Panel F assy				1	1	W857425G51		
126	R61 001 655	G	Panel S		2	2			W272421G04		C
127	R61 002 655	G	Panel S				2	2	W272421G05		C

PUD-P250YMF-C (-BS,-BF)  
 PUY-P200,P250YMF-C (-BS,-BF)  
 PUHY-P200,P250YMF-C (-BS,-BF)

EXTERNAL PARTS

No.	Part No.	G : RoHS Apply Only W : RoHS Apply by Running Change		Spec.	PUY-P200YMF-C-BF	PUY-P250YMF-C-BF	PUHY-P200YMF-C	PUHY-P250YMF-C	Dwg. No.	Price	Revision History
			Part Name								
101	R63 Y06 629	G	Partition board L assy		1	1	1	1	W639800G05		
102	R61 Y09 629	W	Partition board L assy						W639800G06		
103	R63 Y07 629	G	Partition board R assy		1	1	1	1	W639809G13		
104	R61 Y10 629		Partition board R assy						W639809G14		
105	R61 Y99 480		Heat exchanger B				1		W268979G11		
106	R61 Y17 481		Heat exchanger B						W268979G12		
107	R61 Y18 481		Heat exchanger B		1				W268979G13		
108	R63 L02 480	G	Heat exchanger B					1	W126026G30		
109	R61 L03 480	W	Heat exchanger B						W126026G31		
110	R63 Y19 481	G	Heat exchanger B			1			W126026G33		
111	R61 H13 409	W	Heat exchanger F				1		W125262G22		
112	R61 H15 409	W	Heat exchanger F						W125262G23		
113	R61 Y21 481	W	Heat exchanger F		1				W125262G24		
114	R63 L02 481	G	Heat exchanger F					1	W268980G16		
115	R61 L03 481	W	Heat exchanger F						W268980G17		
116	R63 Y22 481	G	Heat exchanger F			1			W268980G18		
117	R63 A42 638	G	Guard B assy		1	1	1	1	W265789G01		
118	R63 E66 611	G	Guard F assy		1	1	1	1	W265788G01		
119	R63 A52 118	G	Fan guard		1	1	1	1	W123195G01		
120	R61 Y01 677	W	Panel B assy		1	1	1	1	W615886G16		C
121	R61 Y01 677	W	Panel B assy						W615886G16		
122	R12 001 669	G	Panel FU		2	2	2	2	W633746G09		C
123	R12 002 669	G	Panel FU						W633746G10		C
124	R63 Y13 652	G	Panel F assy		1	1	1	1	W857425G50		
125	R61 Y14 652	W	Panel F assy						W857425G51		
126	R61 001 655	G	Panel S		2	2	2	2	W272421G04		C
127	R61 002 655	G	Panel S						W272421G05		C

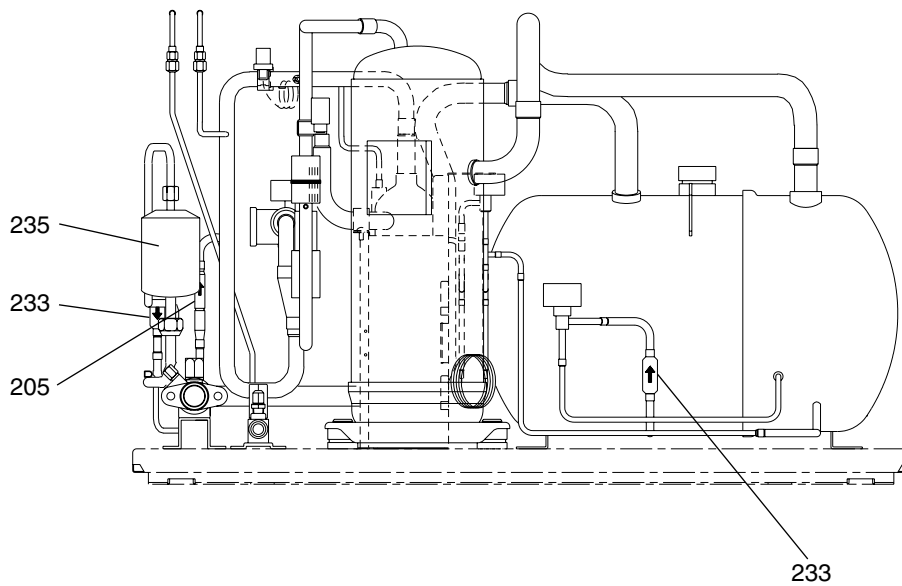
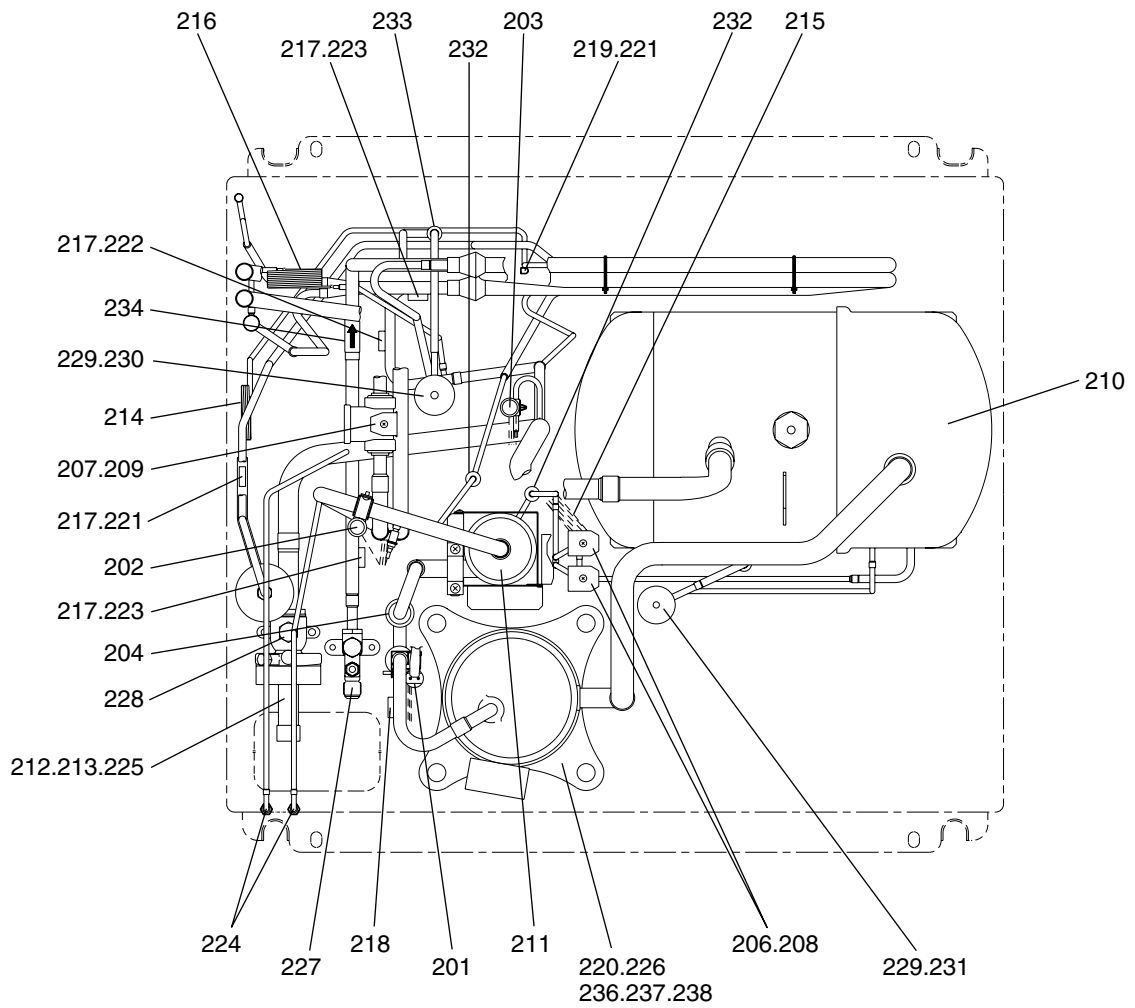
PUD-P250YMF-C (-BS,-BF)  
 PUY-P200,P250YMF-C (-BS,-BF)  
 PUHY-P200,P250YMF-C (-BS,-BF)

EXTERNAL PARTS

No.	Part No.	G : RoHS Apply Only W : RoHS Apply by Running Change		Spec.	PUHY-P200YMF-C-BS	PUHY-P250YMF-C-BS	PUHY-P200YMF-C-BF	PUHY-P250YMF-C-BF	Dwg. No.	Price	Revision History
			Part Name								
101	R63 Y06 629	G	Partition board L assy				1	1	W639800G05		
102	R61 Y09 629	W	Partition board L assy		1	1			W639800G06		
103	R63 Y07 629	G	Partition board R assy				1	1	W639809G13		
104	R61 Y10 629		Partition board R assy		1	1			W639809G14		
105	R61 Y99 480		Heat exchanger B						W268979G11		
106	R61 Y17 481		Heat exchanger B		1				W268979G12		
107	R61 Y18 481		Heat exchanger B				1		W268979G13		
108	R63 L02 480	G	Heat exchanger B						W126026G30		
109	R61 L03 480	W	Heat exchanger B			1			W126026G31		
110	R63 Y19 481	G	Heat exchanger B					1	W126026G33		
111	R61 H13 409	W	Heat exchanger F						W125262G22		
112	R61 H15 409	W	Heat exchanger F		1				W125262G23		
113	R61 Y21 481	W	Heat exchanger F				1		W125262G24		
114	R63 L02 481	G	Heat exchanger F						W268980G16		
115	R61 L03 481	W	Heat exchanger F			1			W268980G17		
116	R63 Y22 481	G	Heat exchanger F					1	W268980G18		
117	R63 A42 638	G	Guard B assy		1	1	1	1	W265789G01		
118	R63 E66 611	G	Guard F assy		1	1	1	1	W265788G01		
119	R63 A52 118	G	Fan guard		1	1	1	1	W123195G01		
120	R61 Y01 677	W	Panel B assy				1	1	W615886G16		C
121	R61 Y01 677	W	Panel B assy		1	1			W615886G16		
122	R12 001 669	G	Panel FU				2	2	W633746G09		C
123	R12 002 669	G	Panel FU		2	2			W633746G10		C
124	R63 Y13 652	G	Panel F assy				1	1	W857425G50		
125	R61 Y14 652	W	Panel F assy		1	1			W857425G51		
126	R61 001 655	G	Panel S				2	2	W272421G04		C
127	R61 002 655	G	Panel S		2	2			W272421G05		C

PUD-P250YMF-C (-BS,-BF)  
 PUY-P200YMF-C (-BS,-BF)  
 PUY-P250YMF-C (-BS,-BF)

FUNCTIONAL PARTS (1)



PUD-P250YMF-C (-BS,-BF)  
 PUY-P200YMF-C (-BS,-BF)  
 PUY-P250YMF-C (-BS,-BF)

FUNCTIONAL PARTS (1)

No.	Part No.	G : RoHS Apply Only W : RoHS Apply by Running Change		Spec.	PUD-P250YMF-C	PUY-P200YMF-C-BS	PUY-P250YMF-C-BF	Dwg. No.	Price	Revision History
			Part Name							
201	R63 Y06 208	G	Pressure switch	ACB-1TB 10W, <63H>	1	1	1	P426258X02		
202	R63 331 288	G	Pressure sensor	<63HS>	1	1	1	P419110X01		
203	R63 G35 288	G	Pressure sensor	<63LS>	1	1	1	P419129X01		
204	R63 F14 418	G	Check valve		1	1	1	P639130X01		
205	R63 625 418	G	Check valve		1	1	1	S639001H02		
206	R63 435 232	G	Solenoid valve	NEV-202DXF	2	2	2	P631807X02		
207	R63 G57 232	G	Solenoid valve	ST66PF	1	1	1	P631227X02		
208	R63 Y04 243	G	Solenoid valve coil	NEV, <SV1,2>	2	2	2	P631205X01		
209	R63 Y08 243	G	Solenoid valve coil	ST, <SV3>	1	1	1	P472037X01		
210	R63 Y31 484	G	Accumulator assy		1	1	1	W271964G02		
211	R63 M23 487	G	Oil separator assy		1	1	1	W639808G03		
212	R63 9F3 441	G	Pipe assy					W663334G03		
213	R63 9F2 442	G	Pipe assy		1	1	1	W663334G04		
214	R63 L85 425	G	Capillary tube assy	0.6×2.4-900	1	1	1	W888053G01		
215	R63 Y07 425	G	Capillary tube assy	1.2×3-2000	1	1	1	W883531G01		
216	R63 H79 425	G	Capillary tube assy	0.8×2.4-2000	1	1	1	W869801G01		
217	R63 670 202	G	Thermistor	NTH3A14, <TH5~9>	5	5	5	P425496X01		
218	R63 671 202	G	Thermistor	<TH1>	1	1	1	P425439X01		
219	R63 F14 200	G	Thermistor	<TH2>	1	1	1	P425565X01		
220	R63 375 200	G	Thermistor	<TH10>	1	1	1	P425438X01		
221	R63 A42 287	G	Sensor cover	EVA,6.35D	2	2	2	P227170X01		
222	R61 A45 287	G	Sensor cover	EVA,12.7	1	1	1	P227171X01		
223	R61 A43 287	G	Sensor cover	EVA,16D	2	2	2	P227172X01		
224	R63 F14 413	G	Check joint		2	2	2	P639131X01		
225	R61 F14 514	G	Packing	T/# 1991-NF	1	1	1	P321009X01		
226	R61 Y08 262	G	Belt heater	240V 45W, <CH1>	1	1	1	P493642X02		
227	R63 F14 410	G	Ball valve	1/2	1	1	1	P636220X02		
228	R63 Y11 410	G	Ball valve	1 flange	1	1	1	P636311X02		
229	R63 G48 401	G	Linear expansion valve	DKV18	2	2	2	P632342X01		
230	R63 A45 401	G	Linear expansion valve coil	<LEV1>	1	1	1	P472017X01		
231	R63 A45 402	G	Linear expansion valve coil	<SLEV>	1	1	1	P472016X01		
232	R63 155 454	G	Strainer	6.35D	2	2	2	W882822G01		
233	R63 A42 454	G	Strainer	9.52D	3	3	3	W882823G01		
234	R63 Y02 454	G	Strainer		1	1	1	W858399G02		
235	R63 M57 405	G	Dryer		1	1	1	P641114X01		
236	R63 Y01 850	G	Insulator		1	1	1	W628447H02		
237	R63 Y02 850	G	Insulator		1	1	1	W861746H02		
238	R66 963 478	G	Scroll compressor	HEV92FA1-YB, <MC>	1	1	1	EP10013G08		



PUD-P250YMF-C (-BS,-BF)  
 PUY-P200YMF-C (-BS,-BF)  
 PUY-P250YMF-C (-BS,-BF)

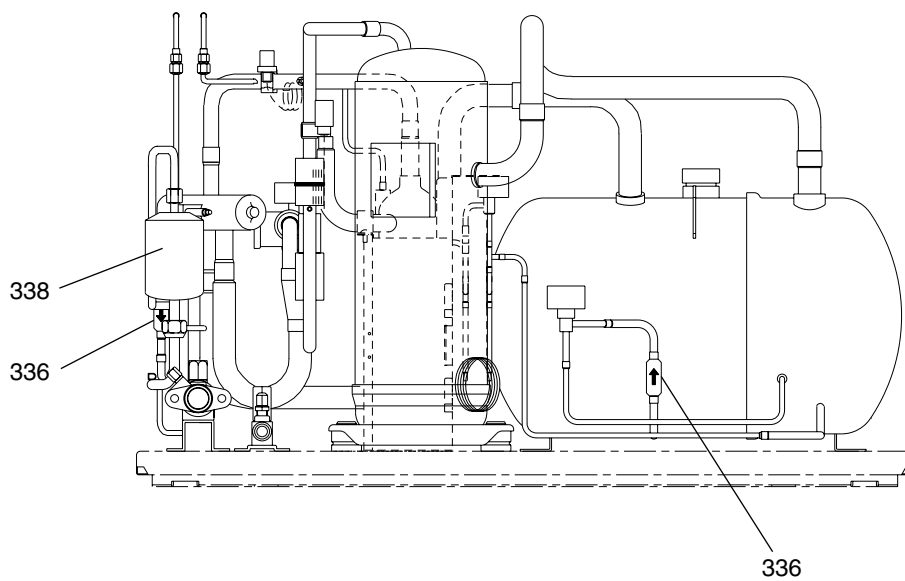
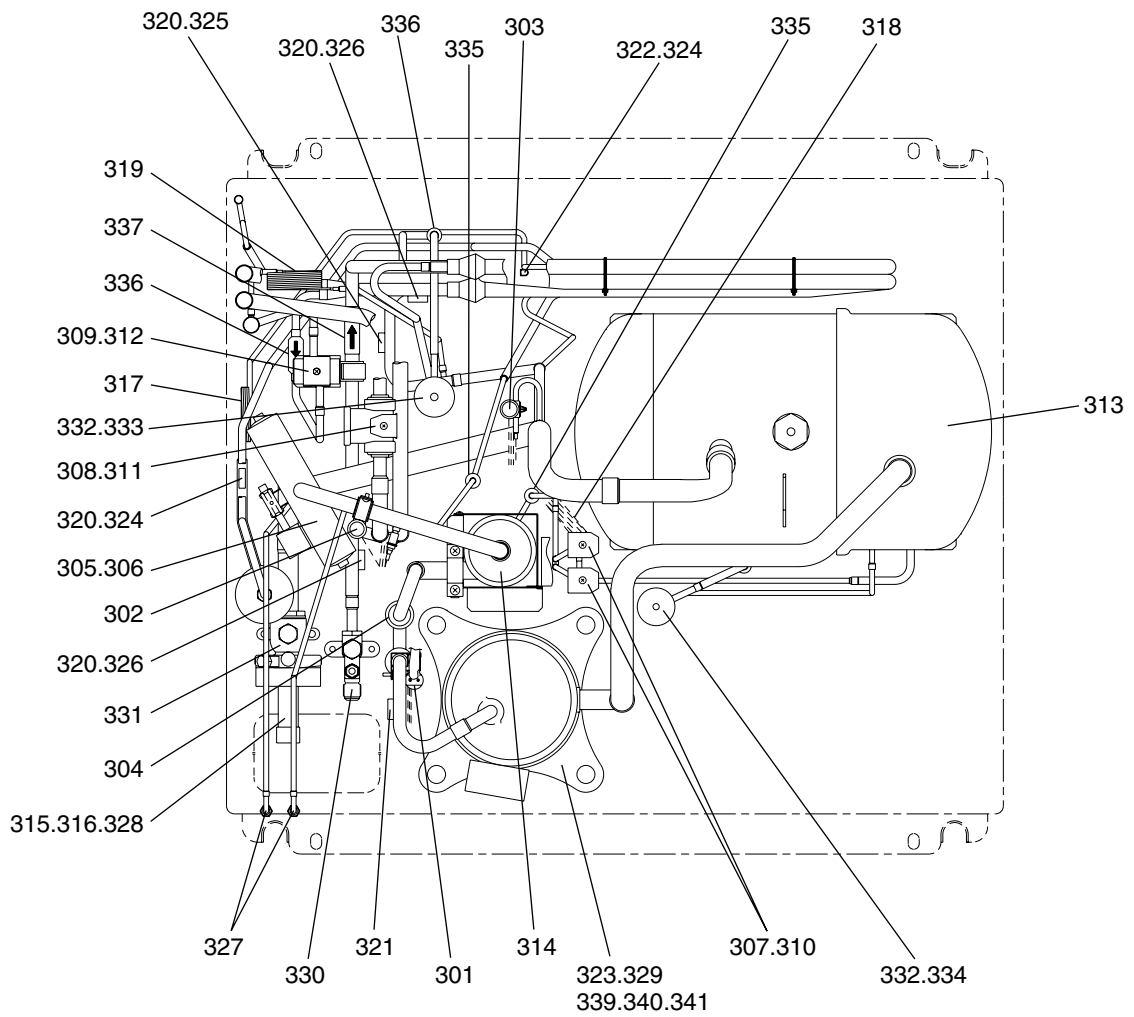
FUNCTIONAL PARTS (1)

No.	Part No.	G : RoHS Apply Only W : RoHS Apply by Running Change		Spec.	PUY-P200YMF-C	PUY-P250YMF-C	PUY-P200YMF-C-BS	PUY-P250YMF-C-BS	Dwg. No.	Price	Revision History
			Part Name								
201	R63 Y06 208	G	Pressure switch	ACB-1TB 10W, <63H>	1	1	1	1	P426258X02		
202	R63 331 288	G	Pressure sensor	<63HS>	1	1	1	1	P419110X01		
203	R63 G35 288	G	Pressure sensor	<63LS>	1	1	1	1	P419129X01		
204	R63 F14 418	G	Check valve		1	1	1	1	P639130X01		
205	R63 625 418	G	Check valve		1	1	1	1	S639001H02		
206	R63 435 232	G	Solenoid valve	NEV-202DXF	2	2	2	2	P631807X02		
207	R63 G57 232	G	Solenoid valve	ST66PF	1	1	1	1	P631227X02		
208	R63 Y04 243	G	Solenoid valve coil	NEV, <SV1,2>	2	2	2	2	P631205X01		
209	R63 Y08 243	G	Solenoid valve coil	ST, <SV3>	1	1	1	1	P472037X01		
210	R63 Y31 484	G	Accumulator assy		1	1	1	1	W271964G02		
211	R63 M23 487	G	Oil separator assy		1	1	1	1	W639808G03		
212	R63 9F3 441	G	Pipe assy		1		1		W663334G03		
213	R63 9F2 442	G	Pipe assy			1		1	W663334G04		
214	R63 L85 425	G	Capillary tube assy	0.6×2.4-900	1	1	1	1	W888053G01		
215	R63 Y07 425	G	Capillary tube assy	1.2×3-2000	1	1	1	1	W883531G01		
216	R63 H79 425	G	Capillary tube assy	0.8×2.4-2000	1	1	1	1	W869801G01		
217	R63 670 202	G	Thermistor	NTH3A14, <TH5~9>	5	5	5	5	P425496X01		
218	R63 671 202	G	Thermistor	<TH1>	1	1	1	1	P425439X01		
219	R63 F14 200	G	Thermistor	<TH2>	1	1	1	1	P425565X01		
220	R63 375 200	G	Thermistor	<TH10>	1	1	1	1	P425438X01		
221	R63 A42 287	G	Sensor cover	EVA,6.35D	2	2	2	2	P227170X01		
222	R61 A45 287	G	Sensor cover	EVA,12.7D	1	1	1	1	P227171X01		
223	R61 A43 287	G	Sensor cover	EVA,16D	2	2	2	2	P227172X01		
224	R63 F14 413	G	Check joint		2	2	2	2	P639131X01		
225	R61 F14 514	G	Packing	T# 1991-NF	1	1	1	1	P321009X01		
226	R61 Y08 262	G	Belt heater	240V 45W, <CH1>	1	1	1	1	P493642X02		
227	R63 F14 410	G	Ball valve	1/2	1	1	1	1	P636220X02		
228	R63 Y11 410	G	Ball valve	1 flange	1	1	1	1	P636311X02		
229	R63 G48 401	G	Linear expansion valve	DKV18	2	2	2	2	P632342X01		
230	R63 A45 401	G	Linear expansion valve coil	<LEV1>	1	1	1	1	P472017X01		
231	R63 A45 402	G	Linear expansion valve coil	<SLEV>	1	1	1	1	P472016X01		
232	R63 155 454	G	Strainer	6.35D	2	2	2	2	W882822G01		
233	R63 A42 454	G	Strainer	9.52D	3	3	3	3	W882823G01		
234	R63 Y02 454	G	Strainer		1	1	1	1	W858399G02		
235	R63 M57 405	G	Dryer		1	1	1	1	P641114X01		
236	R63 Y01 850	G	Insulator		1	1	1	1	W628447H02		
237	R63 Y02 850	G	Insulator		1	1	1	1	W861746H02		
238	R66 963 478	G	Scroll compressor	HEV92FA1-YB, <MC>	1	1	1	1	EP10013G08		

PUD-P250YMF-C (-BS,-BF)  
 PUY-P200YMF-C (-BS,-BF)  
 PUY-P250YMF-C (-BS,-BF)

FUNCTIONAL PARTS (1)

No.	Part No.	G : RoHS Apply Only W : RoHS Apply by Running Change		Spec.	PUY-P200YMF-C-BF	PUY-P250YMF-C-BF		Dwg. No.	Price	Revision History
			Part Name							
201	R63 Y06 208	G	Pressure switch	ACB-1TB 10W, <63H>	1	1		P426258X02		
202	R63 331 288	G	Pressure sensor	<63HS>	1	1		P419110X01		
203	R63 G35 288	G	Pressure sensor	<63LS>	1	1		P419129X01		
204	R63 F14 418	G	Check valve		1	1		P639130X01		
205	R63 625 418	G	Check valve		1	1		S639001H02		
206	R63 435 232	G	Solenoid valve	NEV-202DXF	2	2		P631807X02		
207	R63 G57 232	G	Solenoid valve	ST66PF	1	1		P631227X02		
208	R63 Y04 243	G	Solenoid valve coil	NEV, <SV1,2>	2	2		P631205X01		
209	R63 Y08 243	G	Solenoid valve coil	ST, <SV3>	1	1		P472037X01		
210	R63 Y31 484	G	Accumulator assy		1	1		W271964G02		
211	R63 M23 487	G	Oil separator assy		1	1		W639808G03		
212	R63 9F3 441	G	Pipe assy		1			W663334G03		
213	R63 9F2 442	G	Pipe assy			1		W663334G04		
214	R63 L85 425	G	Capillary tube assy	0.6×2.4-900	1	1		W888053G01		
215	R63 Y07 425	G	Capillary tube assy	1.2×3-2000	1	1		W883531G01		
216	R63 H79 425	G	Capillary tube assy	0.8×2.4-2000	1	1		W869801G01		
217	R63 670 202	G	Thermistor	NTH3A14, <TH5~9>	5	5		P425496X01		
218	R63 671 202	G	Thermistor	<TH1>	1	1		P425439X01		
219	R63 F14 200	G	Thermistor	<TH2>	1	1		P425565X01		
220	R63 375 200	G	Thermistor	<TH10>	1	1		P425438X01		
221	R63 A42 287	G	Sensor cover	EVA,6.35D	2	2		P227170X01		
222	R61 A45 287	G	Sensor cover	EVA,12.7D	1	1		P227171X01		
223	R61 A43 287	G	Sensor cover	EVA,16D	2	2		P227172X01		
224	R63 F14 413	G	Check joint		2	2		P639131X01		
225	R61 F14 514	G	Packing	T/# 1991-NF	1	1		P321009X01		
226	R61 Y08 262	G	Belt heater	240V 45W, <CH1>	1	1		P493642X02		
227	R63 F14 410	G	Ball valve	1/2	1	1		P636220X02		
228	R63 Y11 410	G	Ball valve	1 flange	1	1		P636311X02		
229	R63 G48 401	G	Linear expansion valve	DKV18	2	2		P632342X01		
230	R63 A45 401	G	Linear expansion valve coil	<LEV1>	1	1		P472017X01		
231	R63 A45 402	G	Linear expansion valve coil	<SLEV>	1	1		P472016X01		
232	R63 155 454	G	Strainer	6.35D	2	2		W882822G01		
233	R63 A42 454	G	Strainer	9.52D	3	3		W882823G01		
234	R63 Y02 454	G	Strainer		1	1		W858399G02		
235	R63 M57 405	G	Dryer		1	1		P641114X01		
236	R63 Y01 850	G	Insulator		1	1		W628447H02		
237	R63 Y02 850	G	Insulator		1	1		W861746H02		
238	R66 963 478	G	Scroll compressor	HEV92FA1-YB, <MC>	1	1		EP10013G08		

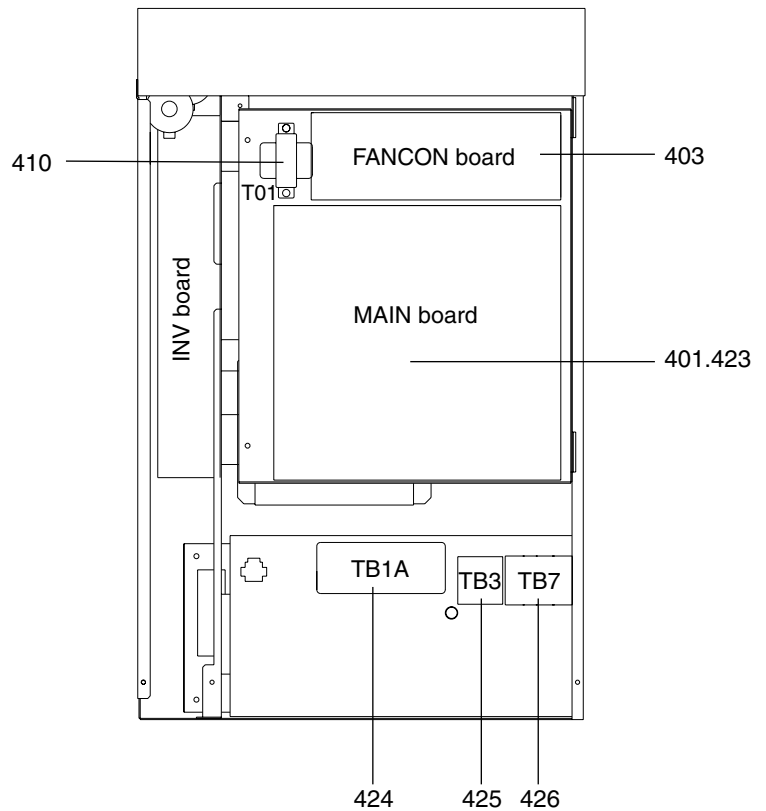
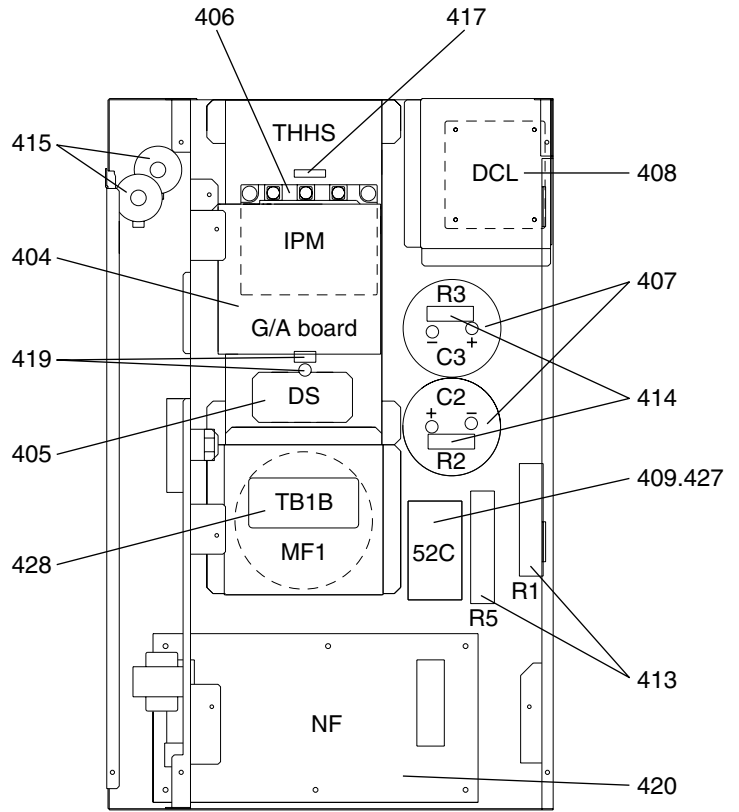
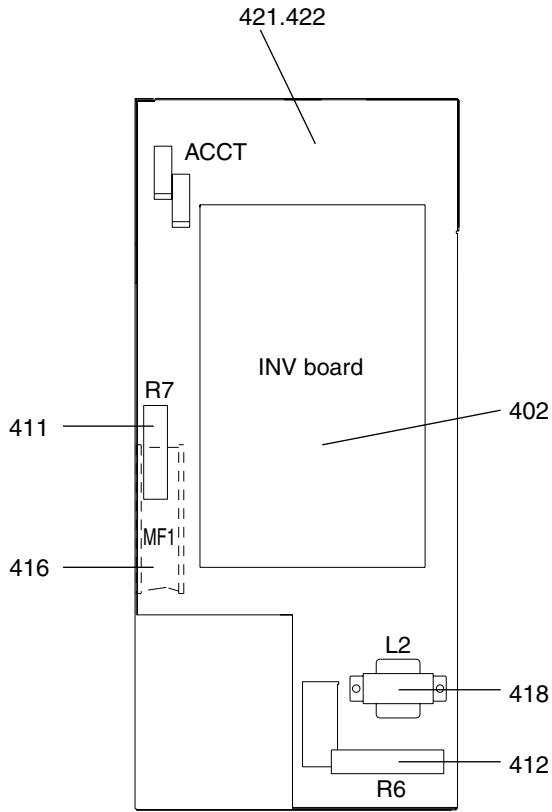


No.	Part No.	G : RoHS Apply Only W : RoHS Apply by Running Change		Spec.	PUHY-P200YMF-C	PUHY-P250YMF-C	PUHY-P200YMF-C-BS	PUHY-P250YMF-C-BS	Dwg. No.	Price	Revision History
			Part Name								
301	R63 Y06 208	G	Pressure switch	ACB-1TB 10W, <63H>	1	1	1	1	P426258X02		
302	R63 331 288	G	Pressure sensor	<63HS>	1	1	1	1	P419110X01		
303	R63 G35 288	G	Pressure sensor	<63LS>	1	1	1	1	P419129X01		
304	R63 F14 418	G	Check valve		1	1	1	1	P639130X01		
305	R63 006 403	G	Four way valve		1	1	1	1	KB00F029G03		C
306	R63 002 242	G	Four way valve coil		1	1	1	1	W875295G05		C
307	R63 435 232	G	Solenoid valve	NEV-202DXF	2	2	2	2	P631807X02		
308	R63 G57 232	G	Solenoid valve	ST66PF	1	1	1	1	P631227X02		
309	R63 449 232	G	Solenoid valve		1	1	1	1	P631818X03		
310	R63 Y04 243	G	Solenoid valve coil	NEV, <SV1,2>	2	2	2	2	P631205X01		
311	R63 Y08 243	G	Solenoid valve coil	ST, <SV3>	1	1	1	1	P472037X01		
312	R63 Y03 232	G	Solenoid valve coil	SB18, <SV4>	1	1	1	1	P631246X01		
313	R63 Y31 484	G	Accumulator assy		1	1	1	1	W271964G02		
314	R63 M23 487	G	Oil separator assy		1	1	1	1	W639808G03		
315	R63 9F3 441	G	Pipe assy		1		1		W663334G03		
316	R63 9F2 442	G	Pipe assy			1		1	W663334G04		
317	R63 L85 425	G	Capillary tube assy	0.6×2.4-900	1	1	1	1	W888053G01		
318	R63 Y07 425	G	Capillary tube assy	1.2×3-2000	1	1	1	1	W883531G01		
319	R63 H79 425	G	Capillary tube assy	0.8×2.4-2000	1	1	1	1	W869801G01		
320	R63 670 202	G	Thermistor	NTH3A14, <TH5~9>	5	5	5	5	P425496X01		
321	R63 671 202	G	Thermistor	<TH1>	1	1	1	1	P425439X01		
322	R63 F14 200	G	Thermistor	<TH2>	1	1	1	1	P425565X01		
323	R63 375 200	G	Thermistor	<TH10>	1	1	1	1	P425438X01		
324	R63 A42 287	G	Sensor cover	EVA,6.35D	2	2	2	2	P227170X01		
325	R61 A45 287	G	Sensor cover	EVA,12.7D	1	1	1	1	P227171X01		
326	R61 A43 287	G	Sensor cover	EVA,16D	2	2	2	2	P227172X01		
327	R63 F14 413	G	Check joint		2	2	2	2	P639131X01		
328	R61 F14 514	G	Packing	T/# 1991-NF	1	1	1	1	P321009X01		
329	R61 Y08 262	G	Belt heater	240V 45W, <CH1>	1	1	1	1	P493642X02		
330	R63 F14 410	G	Ball valve	1/2	1	1	1	1	P636220X02		
331	R63 Y11 410	G	Ball valve	1flange	1	1	1	1	P636311X02		
332	R63 G48 401	G	Linear expansion valve	DKV18	2	2	2	2	P632342X01		
333	R63 A45 401	G	Linear expansion valve coil	<LEV1>	1	1	1	1	P472017X01		
334	R63 A45 402	G	Linear expansion valve coil	<SLEV>	1	1	1	1	P472016X01		
335	R63 155 454	G	Strainer	6.35D	2	2	2	5	W882822G01		
336	R63 A42 454	G	Strainer	9.52D	4	4	4	4	W882823G01		
337	R63 Y02 454	G	Strainer		1	1	1	1	W858399G02		
338	R63 M57 405	G	Dryer		1	1	1	1	P641114X01		
339	R63 Y01 850	G	Insulator		1	1	1	1	W628447H02		
340	R63 Y02 850	G	Insulator		1	1	1	1	W861746H02		
341	R66 963 478	G	Scroll compressor	HEV92FA1-YB, <MC>	1	1	1	1	EP10013G08		

No.	Part No.	G : RoHS Apply Only W : RoHS Apply by Running Change		Spec.	PUHY-P200YMF-C-BF	PUHY-P250YMF-C-BF		Dwg. No.	Price	Revision History
			Part Name							
301	R63 Y06 208	G	Pressure switch	ACB-1TB 10W, <63H>	1	1		P426258X02		
302	R63 331 288	G	Pressure sensor	<63HS>	1	1		P419110X01		
303	R63 G35 288	G	Pressure sensor	<63LS>	1	1		P419129X01		
304	R63 F14 418	G	Check valve		1	1		P639130X01		
305	R63 006 403	G	Four way valve		1	1		KB00F029G03		C
306	R63 002 242	G	Four way valve coil		1	1		W875295G05		C
307	R63 435 232	G	Solenoid valve	NEV-202DXF	2	2		P631807X02		
308	R63 G57 232	G	Solenoid valve	ST66PF	1	1		P631227X02		
309	R63 449 232	G	Solenoid valve		1	1		P631818X03		
310	R63 Y04 243	G	Solenoid valve coil	NEV, <SV1,2>	2	2		P631205X01		
311	R63 Y08 243	G	Solenoid valve coil	ST, <SV3>	1	1		P472037X01		
312	R63 Y03 232	G	Solenoid valve coil	SB18, <SV4>	1	1		P631246X01		
313	R63 Y31 484	G	Accumulator assy		1	1		W271964G02		
314	R63 M23 487	G	Oil separator assy		1	1		W639808G03		
315	R63 9F3 441	G	Pipe assy		1			W663334G03		
316	R63 9F2 442	G	Pipe assy			1		W663334G04		
317	R63 L85 425	G	Capillary tube assy	0.6×2.4-900	1	1		W888053G01		
318	R63 Y07 425	G	Capillary tube assy	1.2×3-2000	1	1		W883531G01		
319	R63 H79 425	G	Capillary tube assy	0.8×2.4-2000	1	1		W869801G01		
320	R63 670 202	G	Thermistor	NTH3A14, <TH5~9>	5	5		P425496X01		
321	R63 671 202	G	Thermistor	<TH1>	1	1		P425439X01		
322	R63 F14 200	G	Thermistor	<TH2>	1	1		P425565X01		
323	R63 375 200	G	Thermistor	<TH10>	1	1		P425438X01		
324	R63 A42 287	G	Sensor cover	EVA,6.35D	2	2		P227170X01		
325	R61 A45 287	G	Sensor cover	EVA,12.7D	1	1		P227171X01		
326	R61 A43 287	G	Sensor cover	EVA,16D	2	2		P227172X01		
327	R63 F14 413	G	Check joint		2	2		P639131X01		
328	R61 F14 514	G	Packing	T/# 1991-NF	1	1		P321009X01		
329	R61 Y08 262	G	Belt heater	240V 45W, <CH1>	1	1		P493642X02		
330	R63 F14 410	G	Ball valve	1/2	1	1		P636220X02		
331	R63 Y11 410	G	Ball valve	1flange	1	1		P636311X02		
332	R63 G48 401	G	Linear expansion valve	DKV18	2	2		P632342X01		
333	R63 A45 401	G	Linear expansion valve coil	<LEV1>	1	1		P472017X01		
334	R63 A45 402	G	Linear expansion valve coil	<SLEV>	1	1		P472016X01		
335	R63 155 454	G	Strainer	6.35D	5	5		W882822G01		
336	R63 A42 454	G	Strainer	9.52D	4	4		W882823G01		
337	R63 Y02 454	G	Strainer		1	1		W858399G02		
338	R63 M57 405	G	Dryer		1	1		P641114X01		
339	R63 Y01 850	G	Insulator		1	1		W628447H02		
340	R63 Y02 850	G	Insulator		1	1		W861746H02		
341	R66 963 478	G	Scroll compressor	HEV92FA1-YB, <MC>	1	1		EP10013G08		

PUD-P250YMF-C (-BS,-BF)  
 PUY-P200,P250YMF-C (-BS,-BF)  
 PUHY-P200,P250YMF-C (-BS,-BF)

### CONTROL BOX PARTS



PUD-P250YMF-C (-BS,-BF)  
 PUY-P200,P250YMF-C (-BS,-BF)  
 PUHY-P200,P250YMF-C (-BS,-BF)

### CONTROL BOX PARTS

No.	Part No.	G : RoHS Apply Only W : RoHS Apply by Running Change		Spec.	PUD-P250YMF-C	PUD-P250YMF-C-BS	PUD-P250YMF-C-BF	Dwg. No.	Price	Revision History
		Part Name								
401	R61 Y82 280		Main board					W266235G14		
402	R63 Y67 280	G	INV board		1	1	1	W639915G01		
403	R63 Y65 280	G	Fan controller board		1	1	1	W639913G01		
404	R63 Y66 280	G	G/A board		1	1	1	W639914G01		
405	R63 Y12 320	G	Diode	DF60LB160	1	1	1	W876941G06		
406	R63 Y04 249	G	IPM (Power module)	6MBP50RA120	1	1	1	W848413G10		
407	R63 Y18 252	G	Capacitor	400WV,4700 μF <C2,3>	2	2	2	P412265X01		
408	R63 Y01 259	G	Reactor	1.92mH/34A <DCL>	1	1	1	P419149X01		
409	R61 Y01 619		Magnet contactor (*1)	S-K18 <52C>				W647828G01		
410	R63 Y14 260	G	Transformer	240V/40V <T1>	1	1	1	P715302X01		
411	R63 670 234	G	Resistor	30W,22Ω <R7>	1	1	1	P411113X01		
412	R63 A42 234	G	Resistor	40W,110Ω <R6>	1	1	1	W237975K23		
413	R63 Y05 234	G	Resistor	40W,5kΩ <R1,5>	2	2	2	P411133X01		
414	R63 Y02 234	G	Resistor	10W,33kΩ,pitch=32 <R2,3>	2	2	2	P411126X01		
415	R63 Y02 249	G	AC current sensor	DJ-6	1	1	1	W639917G01		
416	R63 Y15 118	G	Fan	109S25UL	1	1	1	W639916G01		
417	R63 F14 201	G	Thermistor		1	1	1	P414095X01		
418	R63 002 923	G	Choke coil		1	1	1	P715421X01		C
419	R63 L85 252	G	Capacitor assy		1	1	1	W886345G01		
420	R63 Y08 293	G	NF VF4030C-MX2		1	1	1	P419147X01		
421	R61 Y19 281		Control box					W266294G06		
422	R63 Y27 305	G	Control box		1	1	1	W266294G09		
423	R63 Y51 281	G	Main board		1	1	1	W657945G01		
424	R63 Y05 246	G	Terminal block	TB1A	1	1	1	P436151X01		
425	R61 008 246	G	Terminal block		1	1	1	BA73S950H02		C
426	R63 979 247	G	Terminal block	TB7	1	1	1	P436110X01		
427	R63 Y28 225	G	Magnet contactor (*1)	PAK-21J <52C>	1	1	1	S427020H12		
428	R63 Y07 246	G	Terminal block	TB1B	1	1	1	P436229X01		

(\*1) Confirm the type of the magnet contactor in the box.  
 Order magnet contactor No.409 if the parts is S-K18, and order magnet contactor No.427 if the parts type is PAK-21J.

PUD-P250YMF-C (-BS,-BF)  
 PUY-P200,P250YMF-C (-BS,-BF)  
 PUHY-P200,P250YMF-C (-BS,-BF)

CONTROL BOX PARTS

No.	Part No.	G : RoHS Apply Only W : RoHS Apply by Running Change		Spec.	PUY-P200YMF-C	PUY-P250YMF-C	PUY-P200YMF-C-BS	PUY-P250YMF-C-BS	Dwg. No.	Price	Revision History
			Part Name								
401	R61 Y82 280		Main board		1	1	1	1	W266235G14		
402	R63 Y67 280	G	INV board		1	1	1	1	W639915G01		
403	R63 Y65 280	G	Fan controller board		1	1	1	1	W639913G01		
404	R63 Y66 280	G	G/A board		1	1	1	1	W639914G01		
405	R63 Y12 320	G	Diode	DF60LB160	1	1	1	1	W876941G06		
406	R63 Y04 249	G	IPM (Power module)	6MBP50RA120	1	1	1	1	W848413G10		
407	R63 Y18 252	G	Capacitor	400WV,4700 μF <C2,3>	2	2	2	2	P412265X01		
408	R63 Y01 259	G	Reactor	1.92mH/34A <DCL>	1	1	1	1	P419149X01		
409	R61 Y01 619		Magnet contactor (*1)	S-K18 <52C>	1	1	1	1	W647828G01		
410	R63 Y14 260	G	Transformer	240V/40V <T1>	1	1	1	1	P715302X01		
411	R63 670 234	G	Resistor	30W,22Ω <R7>	1	1	1	1	P411113X01		
412	R63 A42 234	G	Resistor	40W,110Ω <R6>	1	1	1	1	W237975K23		
413	R63 Y05 234	G	Resistor	40W,5kΩ <R1,5>	2	2	2	2	P411133X01		
414	R63 Y02 234	G	Resistor	10W,33kΩ,pitch=32 <R2,3>	2	2	2	2	P411126X01		
415	R63 Y02 249	G	AC current sensor	DJ-6	1	1	1	1	W639917G01		
416	R63 Y15 118	G	Fan	109S25UL	1	1	1	1	W639916G01		
417	R63 F14 201	G	Thermistor		1	1	1	1	P414095X01		
418	R63 002 923	G	Choke coil		1	1	1	1	P715421X01		C
419	R63 L85 252	G	Capacitor assy		1	1	1	1	W886345G01		
420	R63 Y08 293	G	NF VF4030C-MX2		1	1	1	1	P419147X01		
421	R61 Y19 281		Control box		1	1	1	1	W266294G06		
422	R63 Y27 305	G	Control box						W266294G09		
423	R63 Y51 281	G	Main board						W657945G01		
424	R63 Y05 246	G	Terminal block	TB1A	1	1	1	1	P436151X01		
425	R61 008 246	G	Terminal block		1	1	1	1	BA73S950H02		C
426	R63 979 247	G	Terminal block	TB7	1	1	1	1	P436110X01		
427	R63 Y28 225	G	Magnet contactor (*1)	PAK-21J <52C>	1	1	1	1	S427020H12		
428	R63 Y07 246	G	Terminal block	TB1B	1	1	1	1	P436229X01		

(\*1) Confirm the type of the magnet contactor in the box.  
 Order magnet contactor No.409 if the parts is S-K18, and order magnet contactor No.427 if the parts type is PAK-21J.



PUD-P250YMF-C (-BS,-BF)  
 PUY-P200,P250YMF-C (-BS,-BF)  
 PUHY-P200,P250YMF-C (-BS,-BF)

CONTROL BOX PARTS

No.	Part No.	G : RoHS Apply Only W : RoHS Apply by Running Change		Spec.	PUY-P200YMF-C-BF	PUY-P250YMF-C-BF	PUHY-P200YMF-C	PUHY-P250YMF-C	Dwg. No.	Price	Revision History
			Part Name								
401	R61 Y82 280		Main board		1	1	1	1	W266235G14		
402	R63 Y67 280	G	INV board		1	1	1	1	W639915G01		
403	R63 Y65 280	G	Fan controller board		1	1	1	1	W639913G01		
404	R63 Y66 280	G	G/A board		1	1	1	1	W639914G01		
405	R63 Y12 320	G	Diode	DF60LB160	1	1	1	1	W876941G06		
406	R63 Y04 249	G	IPM (Power module)	6MBP50RA120	1	1	1	1	W848413G10		
407	R63 Y18 252	G	Capacitor	400WV,4700 μF <C2,3>	2	2	2	2	P412265X01		
408	R63 Y01 259	G	Reactor	1.92mH/34A <DCL>	1	1	1	1	P419149X01		
409	R61 Y01 619		Magnet contactor (*1)	S-K18 <52C>	1	1	1	1	W647828G01		
410	R63 Y14 260	G	Transformer	240V/40V <T1>	1	1	1	1	P715302X01		
411	R63 670 234	G	Resistor	30W,22Ω <R7>	1	1	1	1	P411113X01		
412	R63 A42 234	G	Resistor	40W,110Ω <R6>	1	1	1	1	W237975K23		
413	R63 Y05 234	G	Resistor	40W,5kΩ <R1,5>	2	2	2	2	P411133X01		
414	R63 Y02 234	G	Resistor	10W,33kΩ,pitch=32 <R2,3>	2	2	2	2	P411126X01		
415	R63 Y02 249	G	AC current sensor	DJ-6	1	1	1	1	W639917G01		
416	R63 Y15 118	G	Fan	109S25UL	1	1	1	1	W639916G01		
417	R63 F14 201	G	Thermistor		1	1	1	1	P414095X01		
418	R63 002 923	G	Choke coil		1	1	1	1	P715421X01		C
419	R63 L85 252	G	Capacitor assy		1	1	1	1	W886345G01		
420	R63 Y08 293	G	NF VF4030C-MX2		1	1	1	1	P419147X01		
421	R61 Y19 281		Control box		1	1	1	1	W266294G06		
422	R63 Y27 305	G	Control box						W266294G09		
423	R63 Y51 281	G	Main board						W657945G01		
424	R63 Y05 246	G	Terminal block	TB1A	1	1	1	1	P436151X01		
425	R61 008 246	G	Terminal block		1	1	1	1	BA73S950H02		C
426	R63 979 247	G	Terminal block	TB7	1	1	1	1	P436110X01		
427	R63 Y28 225	G	Magnet contactor (*1)	PAK-21J <52C>	1	1	1	1	S427020H12		
428	R63 Y07 246	G	Terminal block	TB1B	1	1	1	1	P436229X01		

(\*1) Confirm the type of the magnet contactor in the box.  
 Order magnet contactor No.409 if the parts is S-K18, and order magnet contactor No.427 if the parts type is PAK-21J.

PUD-P250YMF-C (-BS,-BF)  
 PUY-P200,P250YMF-C (-BS,-BF)  
 PUHY-P200,P250YMF-C (-BS,-BF)

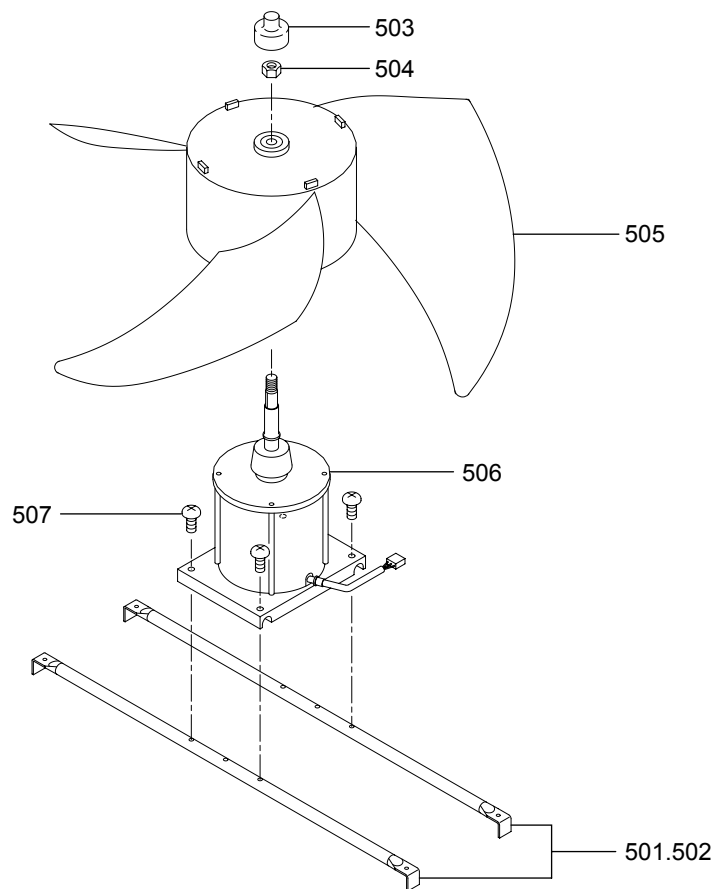
CONTROL BOX PARTS

No.	Part No.	G : RoHS Apply Only W : RoHS Apply by Running Change		Spec.	PUHY-P200YMF-C-BS	PUHY-P250YMF-C-BS	PUHY-P200YMF-C-BF	PUHY-P250YMF-C-BF	Dwg. No.	Price	Revision History
			Part Name								
401	R61 Y82 280		Main board		1	1	1	1	W266235G14		
402	R63 Y67 280	G	INV board		1	1	1	1	W639915G01		
403	R63 Y65 280	G	Fan controller board		1	1	1	1	W639913G01		
404	R63 Y66 280	G	G/A board		1	1	1	1	W639914G01		
405	R63 Y12 320	G	Diode	DF60LB160	1	1	1	1	W876941G06		
406	R63 Y04 249	G	IPM (Power module)	6MBP50RA120	1	1	1	1	W848413G10		
407	R63 Y18 252	G	Capacitor	400WV,4700 μF <C2,3>	2	2	2	2	P412265X01		
408	R63 Y01 259	G	Reactor	1.92mH/34A <DCL>	1	1	1	1	P419149X01		
409	R61 Y01 619		Magnet contactor (*1)	S-K18 <52C>	1	1	1	1	W647828G01		
410	R63 Y14 260	G	Transformer	240V/40V <T1>	1	1	1	1	P715302X01		
411	R63 670 234	G	Resistor	30W,22Ω <R7>	1	1	1	1	P411113X01		
412	R63 A42 234	G	Resistor	40W,110Ω <R6>	1	1	1	1	W237975K23		
413	R63 Y05 234	G	Resistor	40W,5kΩ <R1,5>	2	2	2	2	P411133X01		
414	R63 Y02 234	G	Resistor	10W,33kΩ,pitch=32 <R2,3>	2	2	2	2	P411126X01		
415	R63 Y02 249	G	AC current sensor	DJ-6	1	1	1	1	W639917G01		
416	R63 Y15 118	G	Fan	109S25UL	1	1	1	1	W639916G01		
417	R63 F14 201	G	Thermistor		1	1	1	1	P414095X01		
418	R63 002 923	G	Choke coil		1	1	1	1	P715421X01		C
419	R63 L85 252	G	Capacitor assy		1	1	1	1	W886345G01		
420	R63 Y08 293	G	NF VF4030C-MX2		1	1	1	1	P419147X01		
421	R61 Y19 281		Control box		1	1	1	1	W266294G06		
422	R63 Y27 305	G	Control box						W266294G09		
423	R63 Y51 281	G	Main board						W657945G01		
424	R63 Y05 246	G	Terminal block	TB1A	1	1	1	1	P436151X01		
425	R61 008 246	G	Terminal block		1	1	1	1	BA73S950H02		C
426	R63 979 247	G	Terminal block	TB7	1	1	1	1	P436110X01		
427	R63 Y28 225	G	Magnet contactor (*1)	PAK-21J <52C>	1	1	1	1	S427020H12		
428	R63 Y07 246	G	Terminal block	TB1B	1	1	1	1	P436229X01		

(\*1) Confirm the type of the magnet contactor in the box.  
 Order magnet contactor No.409 if the parts is S-K18, and order magnet contactor No.427 if the parts type is PAK-21J.

PUD-P250YMF-C (-BS,-BF)  
 PUY-P200,P250YMF-C (-BS,-BF)  
 PUHY-P200,P250YMF-C (-BS,-BF)

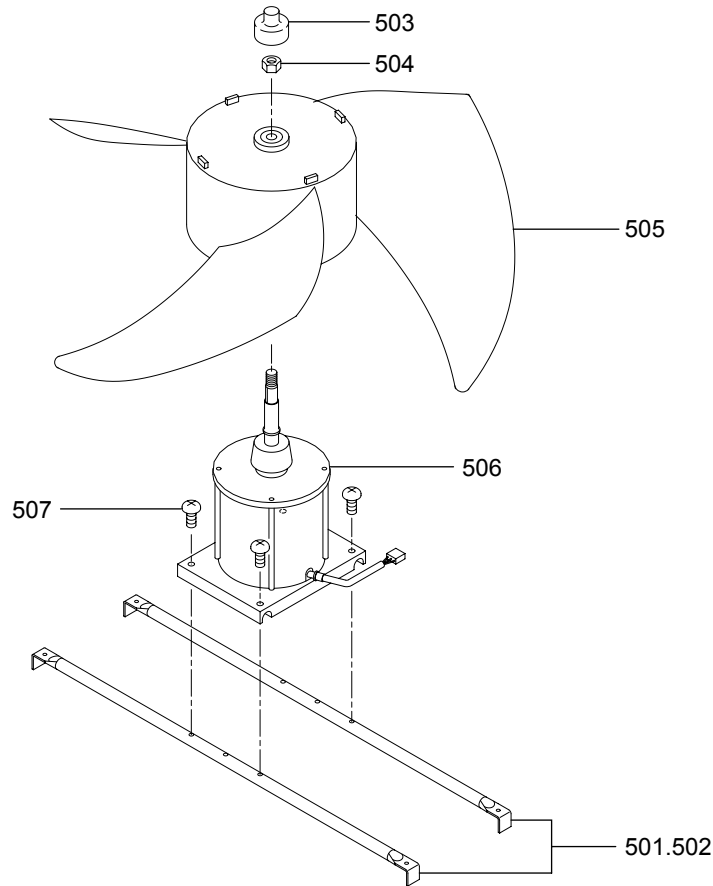
BLOWER PARTS



No.	Part No.	G : RoHS Apply Only W : RoHS Apply by Running Change		Spec.	PUD-P250YMF-C	PUD-P250YMF-C-BS	PUD-P250YMF-C-BF	Dwg. No.	Price	Revision History
		Part Name								
501	R63 A42 140	G	Fan stand		2		2	W856127G05		
502	R63 A43 140	G	Fan stand			2		W856127G06		
503	R61 A69 086	G	Cap		1	1	1	P221056X01		
504	R63 A42 122	G	Nut 16		1	1	1	P541016X01		
505	R63 E66 115	G	Propeller fan	750D	1	1	1	W872619G01		
506	R63 Y33 221	G	Motor	YD380VB <MF>	1	1	1	P714762X01		
507	R63 E90 087	G	Screw	6×14	4	4	4	P521020X01		

PUD-P250YMF-C (-BS,-BF)  
 PUY-P200,P250YMF-C (-BS,-BF)  
 PUHY-P200,P250YMF-C (-BS,-BF)

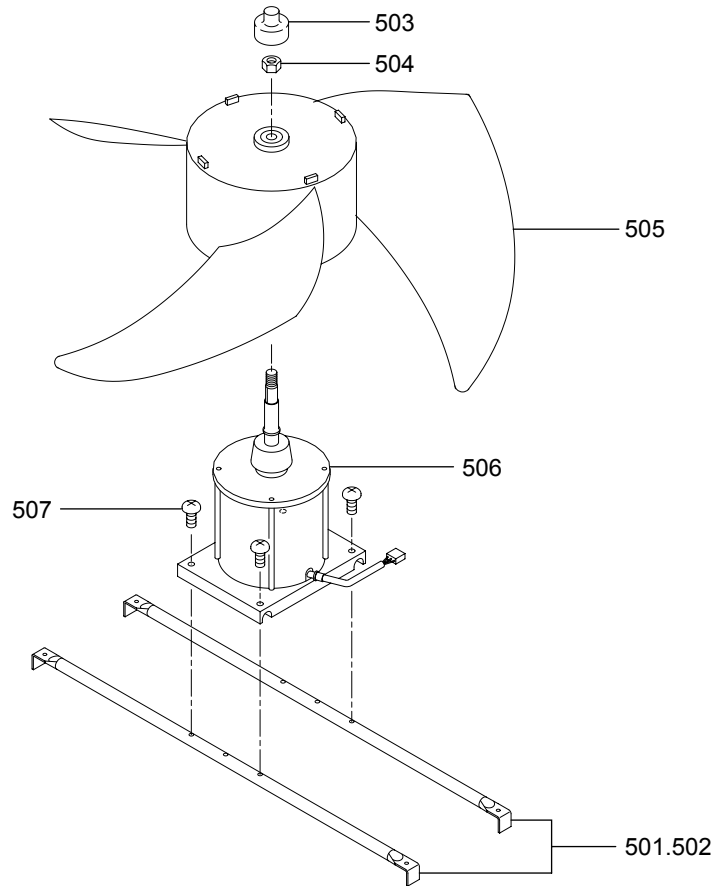
BLOWER PARTS



No.	Part No.	G : RoHS Apply Only W : RoHS Apply by Running Change		Spec.	PUY-P200YMF-C	PUY-P250YMF-C	PUY-P200YMF-C-BS	PUY-P250YMF-C-BS	Dwg. No.	Price	Revision History
			Part Name								
501	R63 A42 140	G	Fan stand		2	2			W856127G05		
502	R63 A43 140	G	Fan stand				2	2	W856127G06		
503	R61 A69 086	G	Cap		1	1	1	1	P221056X01		
504	R63 A42 122	G	Nut 16		1	1	1	1	P541016X01		
505	R63 E66 115	G	Propeller fan	750D	1	1	1	1	W872619G01		
506	R63 Y33 221	G	Motor	YD380VB <MF>	1	1	1	1	P714762X01		
507	R63 E90 087	G	Screw	6×14	4	4	4	4	P521020X01		

PUD-P250YMF-C (-BS,-BF)  
 PUY-P200,P250YMF-C (-BS,-BF)  
 PUHY-P200,P250YMF-C (-BS,-BF)

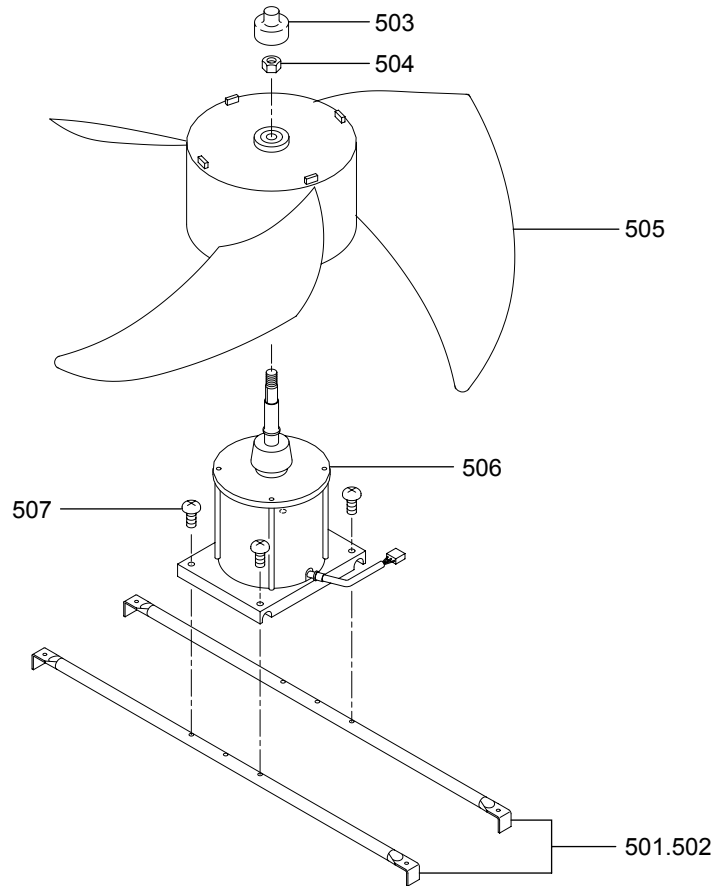
BLOWER PARTS



No.	Part No.	G : RoHS Apply Only W : RoHS Apply by Running Change		Spec.	PUY-P200YMF-C-BF	PUY-P250YMF-C-BF	PUHY-P200YMF-C	PUHY-P250YMF-C	Dwg. No.	Price	Revision History
			Part Name								
501	R63 A42 140	G	Fan stand		2	2	2	2	W856127G05		
502	R63 A43 140	G	Fan stand						W856127G06		
503	R61 A69 086	G	Cap		1	1	1	1	P221056X01		
504	R63 A42 122	G	Nut 16		1	1	1	1	P541016X01		
505	R63 E66 115	G	Propeller fan	750D	1	1	1	1	W872619G01		
506	R63 Y33 221	G	Motor	YD380VB <MF>	1	1	1	1	P714762X01		
507	R63 E90 087	G	Screw	6×14	4	4	4	4	P521020X01		

PUD-P250YMF-C (-BS,-BF)  
 PUY-P200,P250YMF-C (-BS,-BF)  
 PUHY-P200,P250YMF-C (-BS,-BF)

BLOWER PARTS



No.	Part No.	G : RoHS Apply Only W : RoHS Apply by Running Change		Spec.	PUHP200YMF-C-BS	PUHP250YMF-C-BS	PUHP200YMF-C-BF	PUHP250YMF-C-BF	Dwg. No.	Price	Revision History
			Part Name								
501	R63 A42 140	G	Fan stand				2	2	W856127G05		
502	R63 A43 140	G	Fan stand		2	2			W856127G06		
503	R61 A69 086	G	Cap		1	1	1	1	P221056X01		
504	R63 A42 122	G	Nut 16		1	1	1	1	P541016X01		
505	R63 E66 115	G	Propeller fan	750D	1	1	1	1	W872619G01		
506	R63 Y33 221	G	Motor	YD380VB <MF>	1	1	1	1	P714762X01		
507	R63 E90 087	G	Screw	6×14	4	4	4	4	P521020X01		

