

# **SERVICE PARTS LIST FOR MITSUBISHI ELECTRIC PACKAGED AIR-CONDITIONERS**

**Series PU(H)Y-P-YEM-A(-BS,-BF)**

**For use with the R407C**

**Mar. 2003**

## **INDEX**

**PU(H)Y-P200YEM-A**

**PU(H)Y-P250YEM-A**

**PU(H)Y-P315YEM-A**

**PU(H)Y-P200YEM-A-BS**

**PU(H)Y-P250YEM-A-BS**

**PU(H)Y-P315YEM-A-BS**

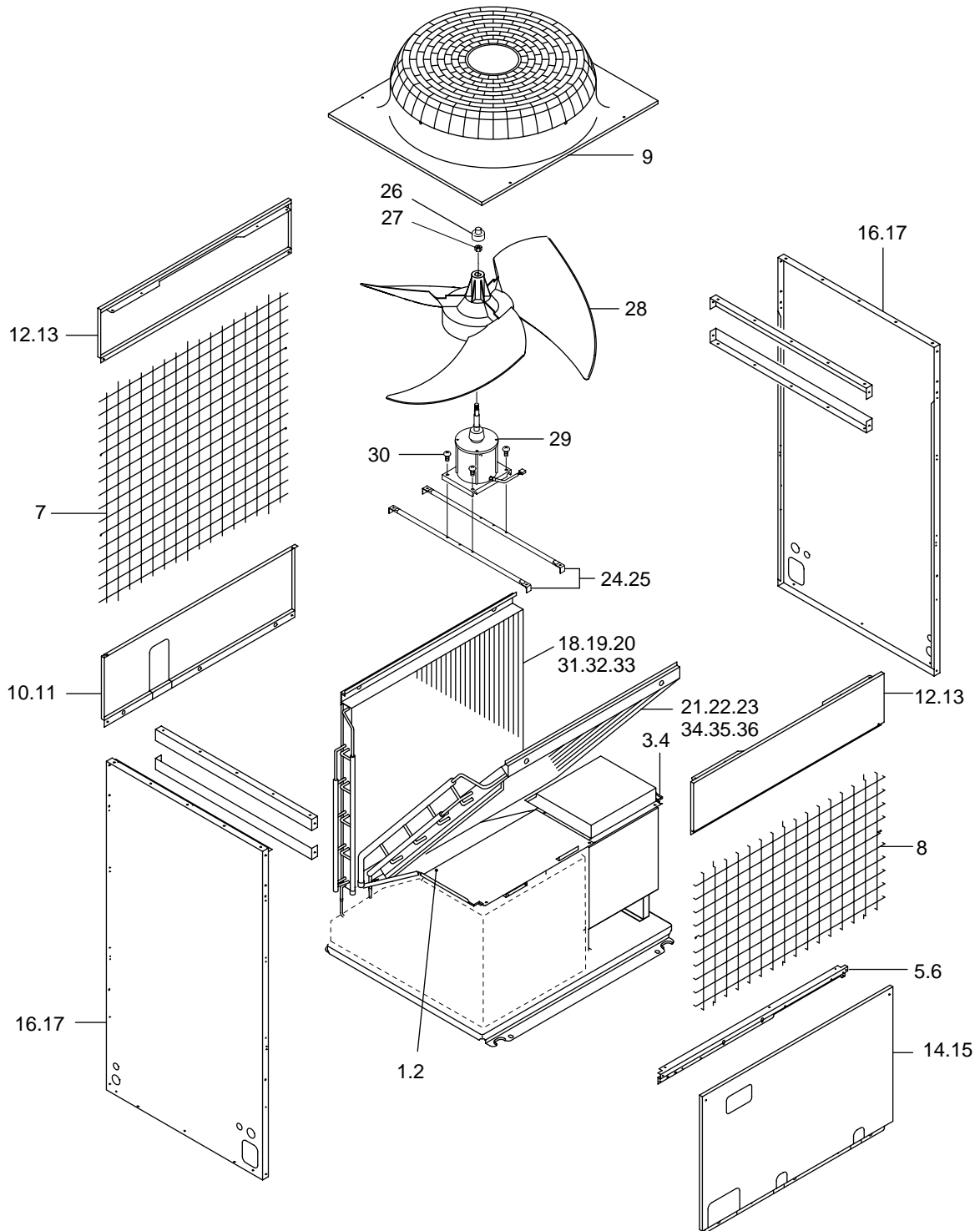
**PU(H)Y-P200YEM-A-BF**

**PU(H)Y-P250YEM-A-BF**

**PU(H)Y-P315YEM-A-BF**

PU(H)Y-P200YEM-A (-BS,-BF)  
PU(H)Y-P250YEM-A (-BS,-BF)  
PU(H)Y-P315YEM-A (-BS,-BF)

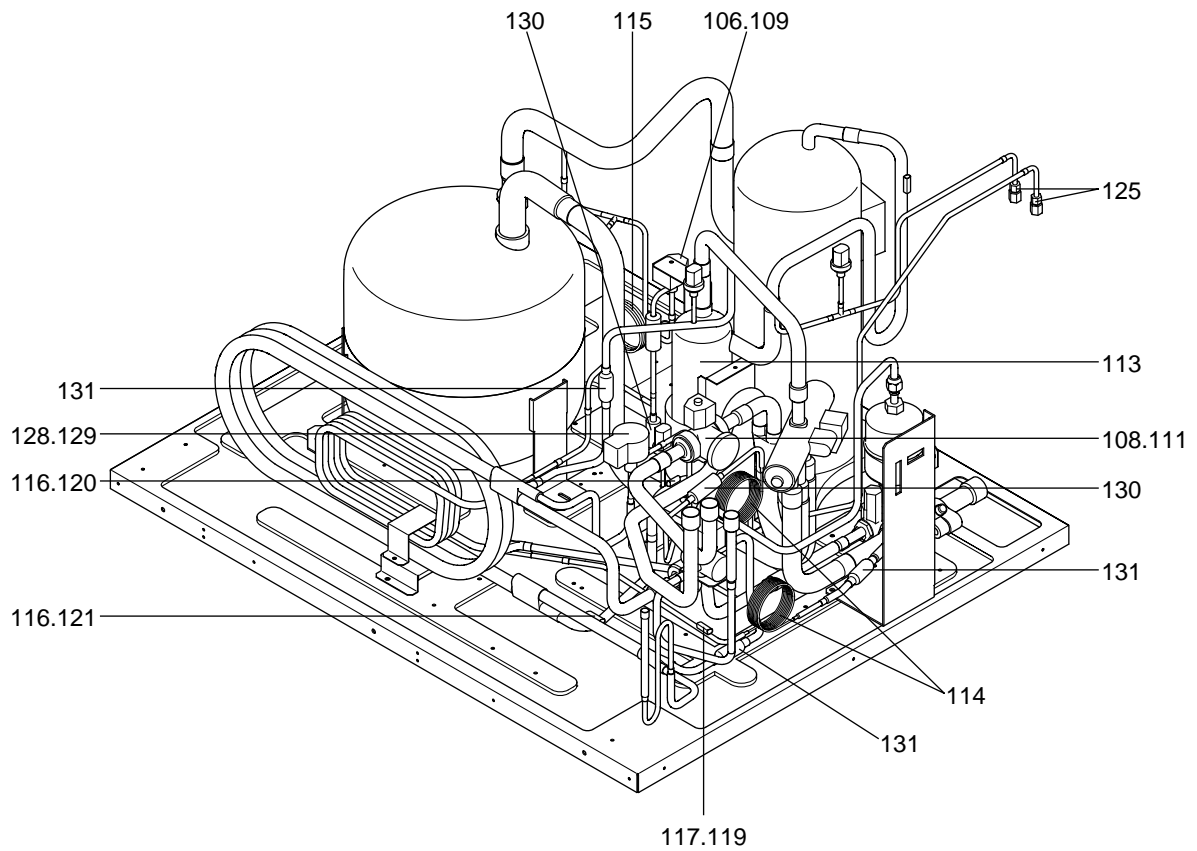
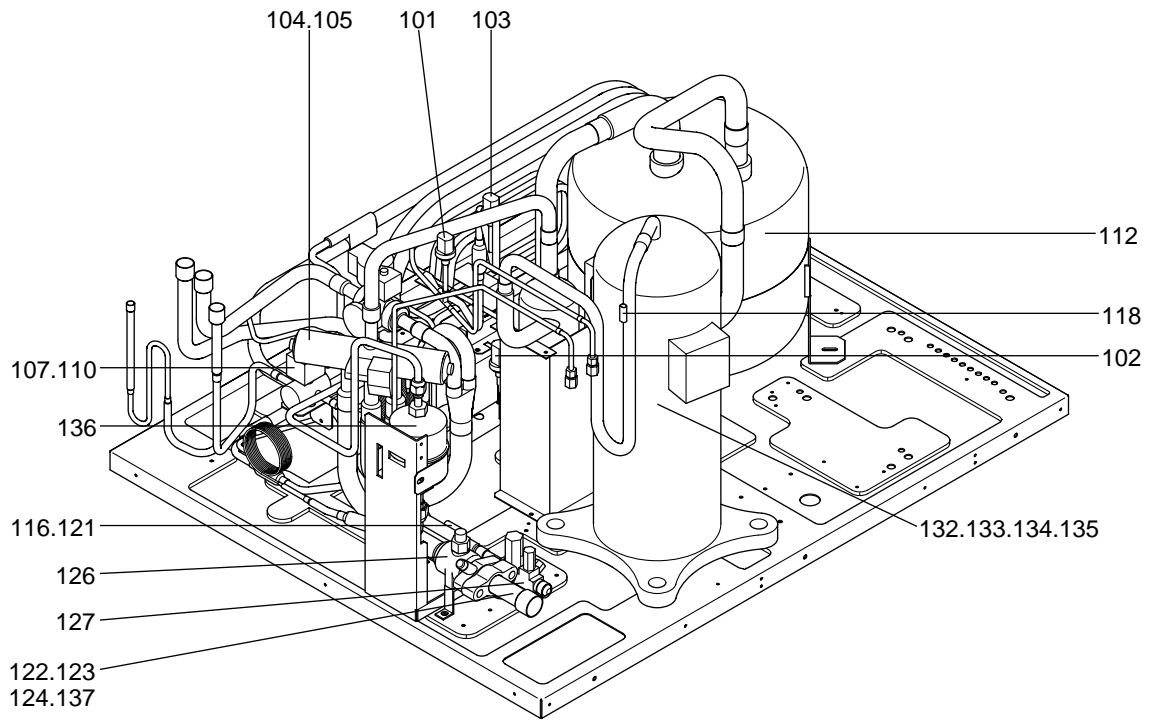
### EXTERNAL PARTS





PU(H)Y-P200YEM-A (-BS,-BF)  
 PU(H)Y-P250YEM-A (-BS,-BF)  
 PU(H)Y-P315YEM-A (-BS,-BF)

FUNCTIONAL PARTS





PU(H)Y-P200YEM-A (-BS,-BF)  
PU(H)Y-P250YEM-A (-BS,-BF)  
PU(H)Y-P315YEM-A (-BS,-BF)

### CONTROL BOX PARTS

