

# **SERVICE PARTS LIST FOR MITSUBISHI ELECTRIC PACKAGED AIR-CONDITIONERS**

**Series PUHY-P-YEM-A(-BS,BF)**

**For use with the R407C**

**Jan. 2004**

## **INDEX**

**PUHY-P400YEM-A**

**PUHY-P500YEM-A**

**PUHY-P400YEM-A-BS**

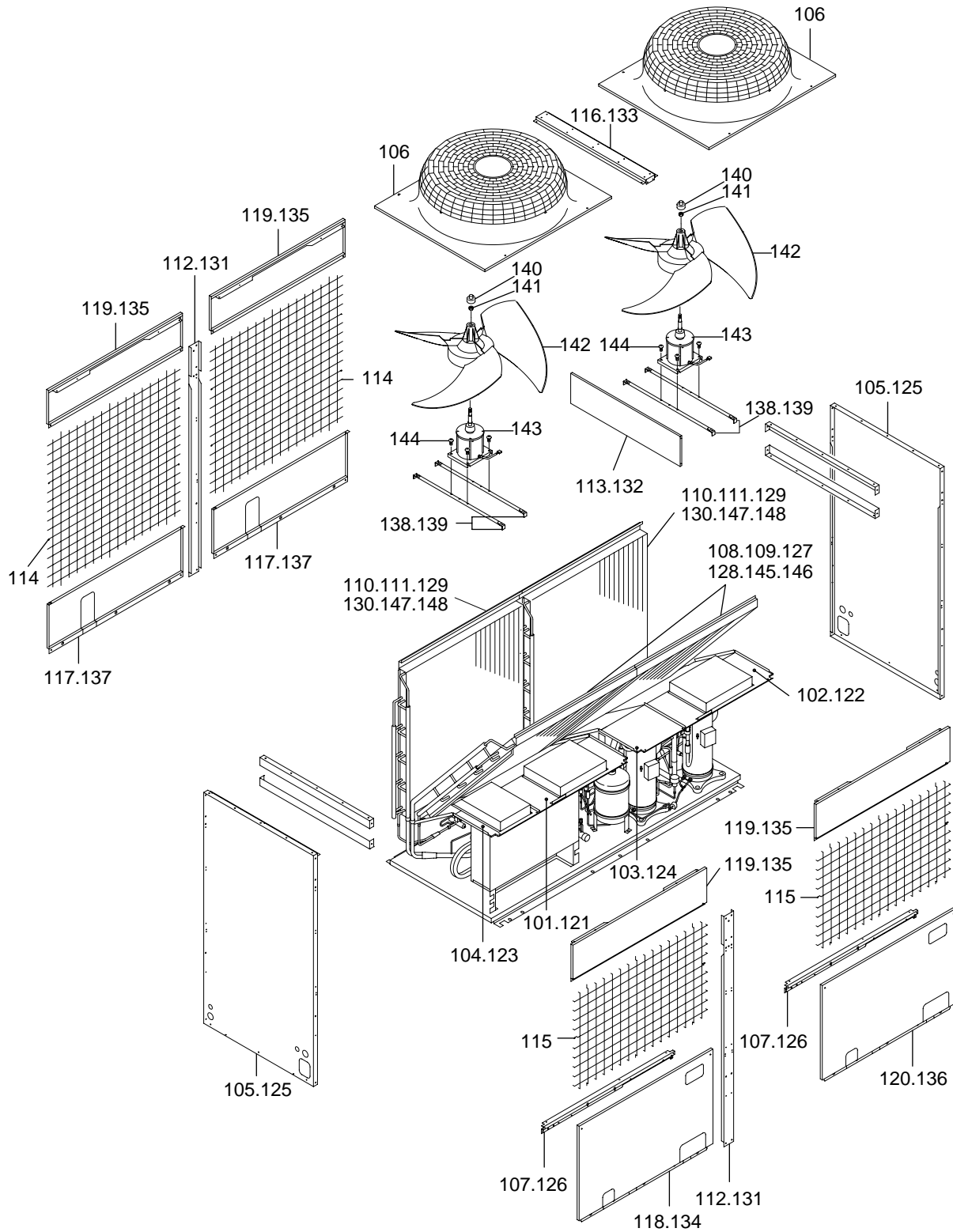
**PUHY-P500YEM-A-BS**

**PUHY-P400YEM-A-BF**

**PUHY-P500YEM-A-BF**

PUHY-P400YEM-A(-BS,-BF)  
 PUHY-P500YEM-A(-BS,-BF)

EXTERNAL PARTS & BLOWER PARTS



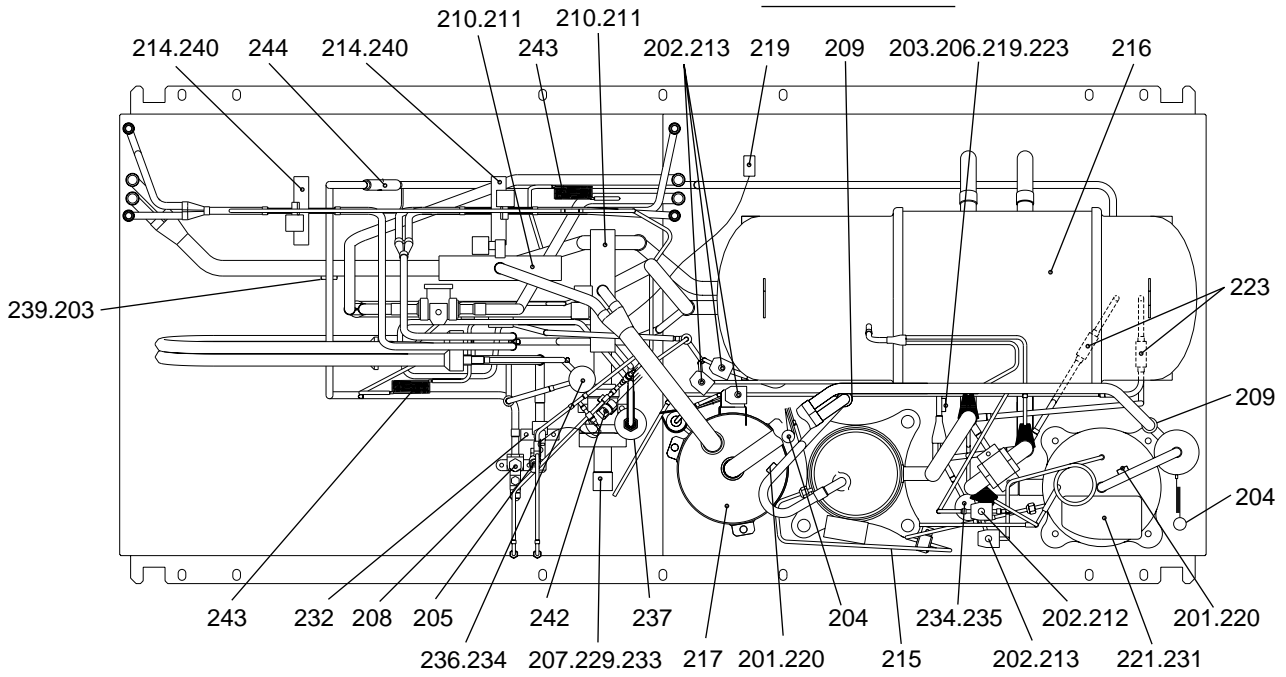
No.	Part No.	Part Name	Spec.					Dwg. No.	Price		
				P-400YEM-A	P-500YEM-A	P-400YEM-A-BS	P-500YEM-A-BS			P-400YEM-A-BF	P-500YEM-A-BF
101	R61 E66 667	Partition board R ass'y	(L)	1	1			1	1	W624525G15	
102	R61 E66 668	Partition board R ass'y	(R)	1	1			1	1	W624525G16	
103	R61 E66 657	Partition board L ass'y	(R)	1	1			1	1	W624526G22	

No.	Part No.	Part Name	Spec.	-P400YEM-A	-P500YEM-A	-P400YEM-A-BS	-P500YEM-A-BS	-P400YEM-A-BF	-P500YEM-A-BF	Dwg. No.	Price
104	R61 E66 658	Partition board L ass'y	(L)	1	1			1	1	W624526G20	
105	R61 N78 661	Panel S		2	2			2	2	W272421H01	
106	R61 N78 118	Fan guard	With the Drum	2	2	2	2	2	2	W126832G01	
107	R61 A42 659	Front panel		2	2			2	2	W615888H18	
108	R61 N20 481	Heat exchanger ass'y F	P400YEM-A	2						W125262G19	
109	R61 L02 481	Heat exchanger ass'y F	P500YEM-A		2					W268980G11	
110	R61 N22 480	Heat exchanger ass'y B	P400YEM-A	2						W125263G17	
111	R61 L02 480	Heat exchanger ass'y B	P500YEM-A		2					W126026G23	
112	R61 E66 627	Stay M		2	2			2	2	W623717G07	
113	R61 E66 674	Reinforcement M		1	1			1	1	W861182H01	
114	R61 A42 638	Guard B ass'y		2	2	2	2	2	2	W265789G01	
115	R61 E66 611	Guard F ass'y		2	2	2	2	2	2	W265788G01	
116	R61 E66 125	Beam M		1	1			1	1	W623718G01	
117	R61 M43 677	Panel B ass'y		2	2			2	2	W857426G21	
118	R61 Y15 652	Panel F		1	1			1	1	W623719H09	
119	R61 L78 653	Panel FU		4	4			4	4	W633746H06	
120	R61 M54 652	Panel F ass'y		1	1			1	1	W862323G07	
121	R61 E67 667	Partition board R ass'y	(L)			1	1			W624525G11	
122	R61 E67 668	Partition board R ass'y	(R)			1	1			W624525G14	
123	R61 E67 658	Partition board L ass'y	(L)			1	1			W624526G14	
124	R61 E67 657	Partition board L ass'y	(R)			1	1			W624526G19	
125	R61 N78 662	Panel S				2	2			W272421G02	
126	R61 A43 659	Front panel				2	2			W615888G09	
127	R61 N21 481	Heat exchanger ass'y F	P400YEM-A-BS			2				W125262G20	
128	R61 L03 481	Heat exchanger ass'y F	P500YEM-A-BS				2			W268980G12	
129	R61 N23 480	Heat exchanger ass'y B	P400YEM-A-BS			2				W125263G18	
130	R61 L03 480	Heat exchanger ass'y B	P500YEM-A-BS				2			W126026G24	
131	R61 E67 627	Stay M				2	2			W623717G08	
132	R61 E68 674	Reinforcement M				1	1			W861182G02	
133	R61 E67 125	Beam M				1	1			W623718G03	
134	R61 Y19 652	Panel F				1	1			W623719G12	
135	R61 N78 653	Panel FU				4	4			W633746G06	
136	R61 M55 652	Panel F ass'y				1	1			W862323G09	
137	R61 M44 677	Panel B ass'y				2	2			W857426G28	
138	R61 A42 140	Fan stand		4	4			4	4	W856127G05	
139	R61 A43 140	Fan stand				4	4			W856127G06	
140	R61 A69 086	Cap		2	2	2	2	2	2	P221056X01	
141	R61 A42 122	Nut 16		2	2	2	2	2	2	P541016X01	
142	R61 N78 115	Propeller fan	750D	2	2	2	2	2	2	W126814G01	
143	R61 Y33 221	Motor	YD380VB<MF>	2	2	2	2	2	2	P714762X01	
144	R61 E90 087	Screw	6X14	8	8	8	8	8	8	P521020X01	
145	R61 Y61 481	Heat exchanger ass'y F	P400YEM-A-BF					2		W125262G21	
146	R61 Y22 481	Heat exchanger ass'y F	P500YEM-A-BF						2	W268980G13	
147	R61 Y60 481	Heat exchanger ass'y B	P400YEM-A-BF					2		W125263G19	
148	R61 Y19 481	Heat exchanger ass'y B	P500YEM-A-BF						2	W126026G26	

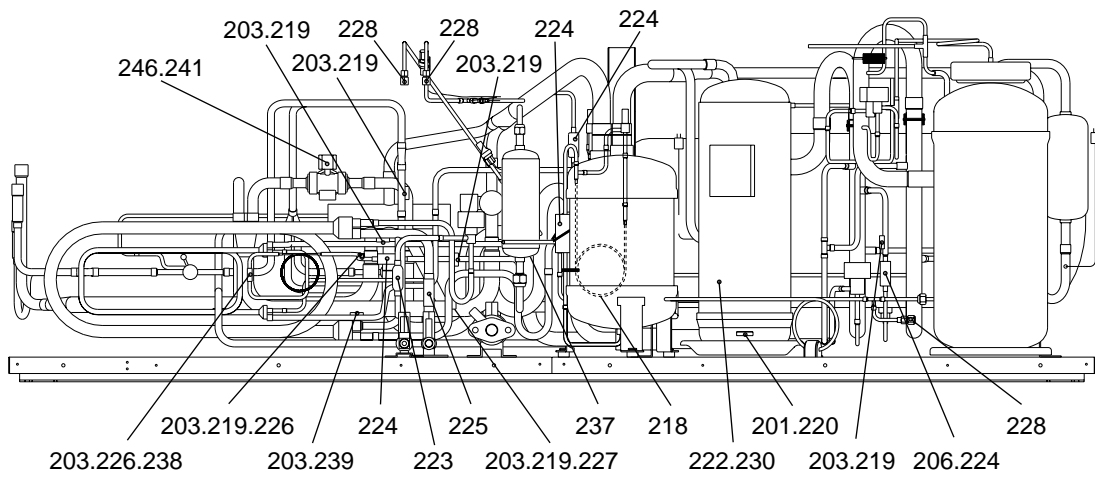
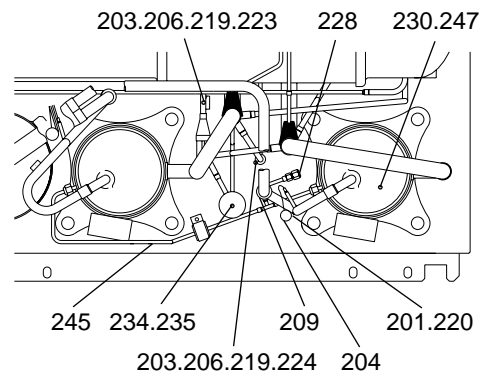
PUHY-P400YEM-A(-BS,-BF)  
 PUHY-P500YEM-A(-BS,-BF)

FUNCTIONAL PARTS

P500 TYPE



P400 TYPE



No.	Part No.	Part Name	Spec.	-P400YEM-A	-P500YEM-A	-P400YEM-A-BS	-P500YEM-A-BS	-P400YEM-A-BF	-P500YEM-A-BF	Dwg. No.	Price
201	R11 347 865	L.TH spring		3	3	3	3	3	3	U38D120H03	
202	R61 Y04 243	Solenoid valve coil	(NEV)<SV1,4,6,22,32>	3	5	3	5	3	5	P631205X01	

No.	Part No.	Part Name	Spec.	-P400YEM-A	-P500YEM-A	-P400YEM-A-BS	-P500YEM-A-BS	-P400YEM-A-BF	-P500YEM-A-BF	Dwg. No.	Price
203	R13 658 276	TH spring		10	10	10	10	10	10	C38D815H01	
204	R61 Y08 208	Pressure switch ass'y	<63H1,2>	2	2	2	2	2	2	W872429G02	
205	R61 331 288	Pressure sensor	<63HS>	1	1	1	1	1	1	P419110X01	
206	R61 Y04 237	Liquid level detecting heater ass'y	<CH2,3>	1	1	1	1	1	1	W872422G01	
207	R61 Y03 494	Pipe ass'y		1	1	1	1	1	1	W883580G05	
208	R61 F14 410	Ball valve	1/2	1	1	1	1	1	1	P636220X02	
209	R61 F14 418	Check valve		2	2	2	2	2	2	P639130X01	
210	R61 E37 154	Four way valve		2	2	2	2	2	2	P633101X01	
211	R61 Y03 242	Four way valve coil	<21S4a,21S4b>	2	2	2	2	2	2	P633078X01	
212	R61 670 232	Solenoid valve	(NEVL-202DXF)<SV22>		1		1		1	P631148X01	
213	R61 435 232	Solenoid valve	(NEV-202DXF)<SV1,4,6,32>	3	4	3	4	3	4	P631807X02	
214	R61 E66 421	Two way valve	VR40101	2	2	2	2	2	2	P631214X02	
215	R61 H13 485	Equalizer ass'y			1		1		1	W633751G02	
216	R61 Y47 484	Accumulator ass'y		1	1	1	1	1	1	W271344G13	
217	R61 Y11 487	Oil separator		1	1	1	1	1	1	W266568G03	
218	R61 F62 425	Capillary tube ass'y	<1.6X3.2-700>	1	1	1	1	1	1	W861175G02	
219	R61 670 202	Thermistor	(NTH3A14)<TH3-8,9a,9b>	8	8	8	8	8	8	P425496X01	
220	R61 911 202	Thermistor	<TH10,11,12>	3	3	3	3	3	3	P425416X02	
221	R69 964 478	Scroll compressor	ZEC165YAA-J		1		1		1	EP10034G02	
222	R69 962 478	Scroll compressor	HEV92FA1-YJ	1	1	1	1	1	1	EP10013G07	
223	R61 A42 454	Strainer		4	4	4	4	4	4	W882823G01	
224	R61 155 454	Strainer		4	4	4	4	4	4	W882822G01	
225	R61 Y02 454	Strainer		1	1	1	1	1	1	W858399G02	
226	R61 A42 287	Sensor cover	EVA(6.35D)	2	2	2	2	2	2	P227170X01	
227	R61 A45 287	Sensor cover	EVA(12.7D)	1	1	1	1	1	1	P227171X01	
228	R61 F14 413	Check joint		3	3	3	3	3	3	P639131X01	
229	R61 K50 514	Packing		1	1	1	1	1	1	W881519H01	
230	R61 Y07 237	Belt heater	(200V45W)<CH11,12>	2	1	2	1	2	1	P493781X01	
231	R61 Y08 237	Belt heater	(200V56W)<CH12>		1		1		1	P493782X01	
232	R61 H13 410	Ball valve	5/8	1	1	1	1	1	1	P636233X02	
233	R61 Y04 410	Ball valve	1 Flange 10/8	1	1	1	1	1	1	P636297X01	
234	R61 G48 401	Linear expansion valve	DKV-18D124	2	2	2	2	2	2	P632342X01	
235	R61 E66 401	Linear expansion valve coil	<SLEV>	1	1	1	1	1	1	P632312X01	
236	R61 A45 401	Linear expansion valve coil	<LEV1>	1	1	1	1	1	1	P632299X01	
237	R61 N24 405	Drier		1	1	1	1	1	1	P641115X01	
238	R61 F14 200	Thermistor	<TH2>	1	1	1	1	1	1	P425565X01	
239	R61 800 202	Thermistor	<TH10a,10b>	2	2	2	2	2	2	P425494X01	
240	R61 Y07 242	Four way valve coil	<SV5b,SV8>	2	2	2	2	2	2	P633106X01	
241	R61 G57 232	Solenoid valve	(ST66PF)<SV7>	1	1	1	1	1	1	P631227X02	
242	R61 G35 288	Pressure sensor	<63LS>	1	1	1	1	1	1	P419129X01	
243	R61 L85 425	Capillary tube processing	<0.8X2.4-2000>	2	2	2	2	2	2	W888053G01	
244	R61 631 418	Check valve		1	1	1	1	1	1	S639001H03	
245	R61 Y04 494	Equalizer ass'y		1		1		1		W633750G02	
246	R61 Y08 243	Solenoid valve coil	<SV7>	1	1	1	1	1	1	P631249X01	
247	R69 986 478	Scroll compressor	HE101YAB-J	1		1		1		EP10031G03	

[No.] : For use with R407C

PUHY-P400YEM-A(-BS,-BF)  
PUHY-P500YEM-A(-BS,-BF)

### CONTROL BOX PARTS

