

SERVICE PARTS LIST FOR MITSUBISHI ELECTRIC PACKAGED AIR-CONDITIONERS

Series PURY-P-YEM-A(-BS,-BF)

For use with the R407C

Mar. 2003

INDEX

PURY-P200YEM-A

PURY-P250YEM-A

PURY-P200YEM-A-BS

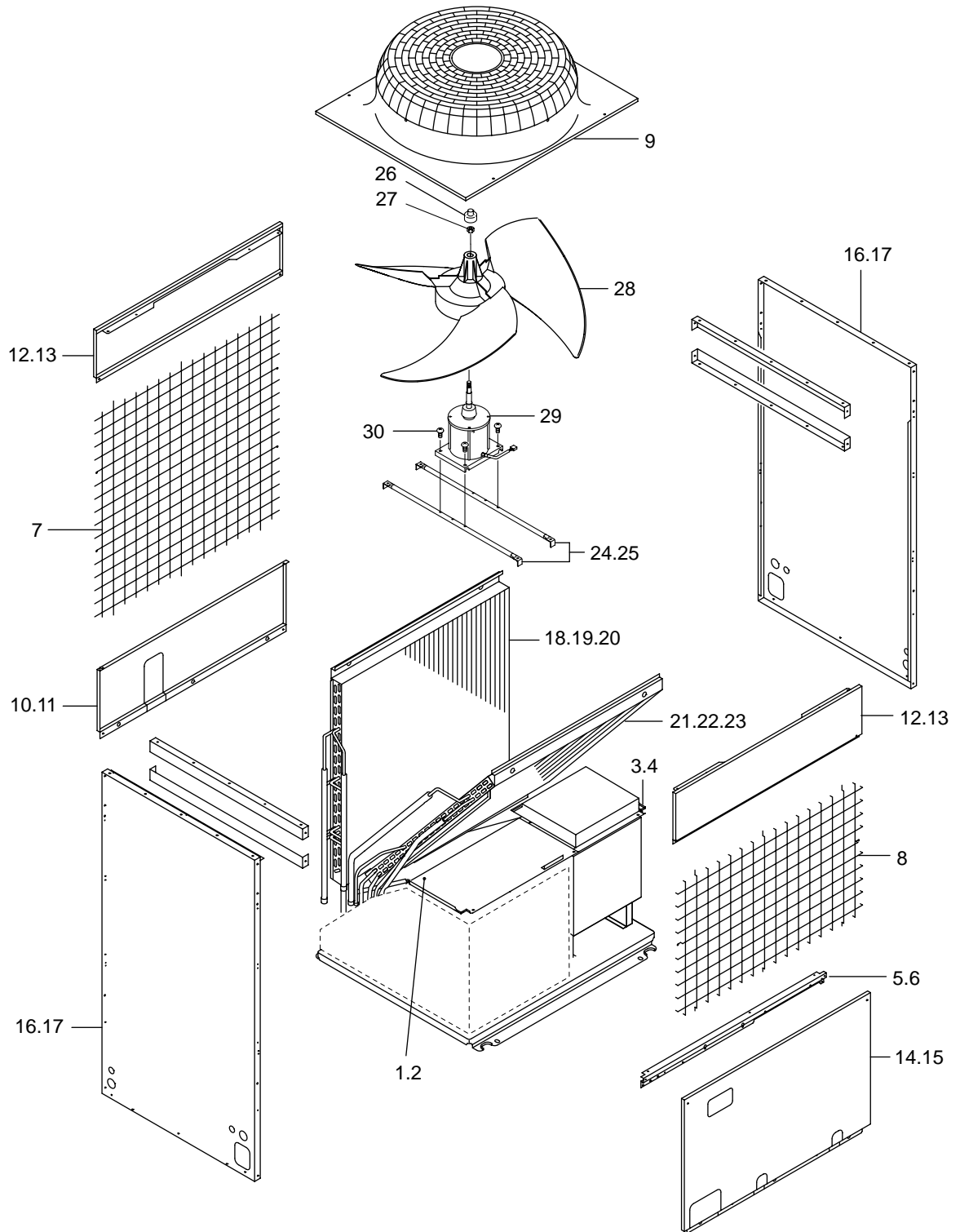
PURY-P250YEM-A-BS

PURY-P200YEM-A-BF

PURY-P250YEM-A-BF

PURY-P200YEM-A(-BS,-BF)
PURY-P250YEM-A(-BS,-BF)

EXTERNAL PARTS



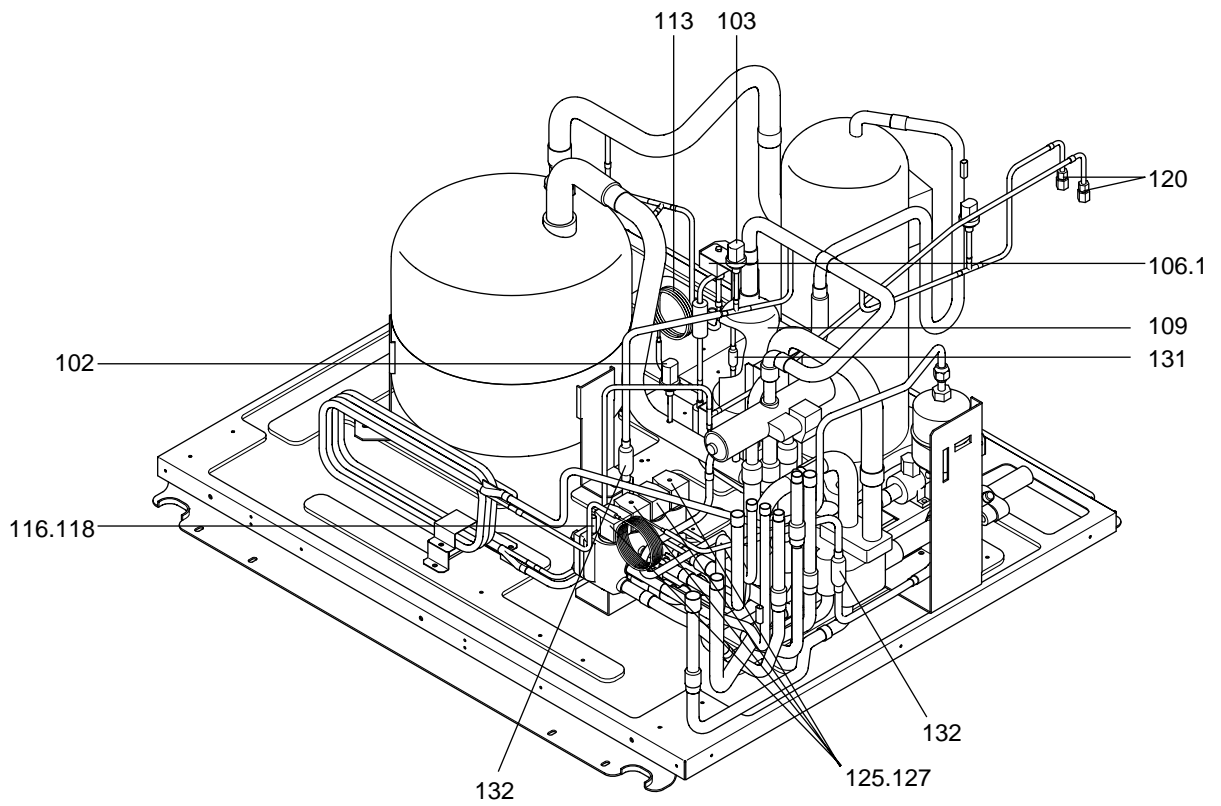
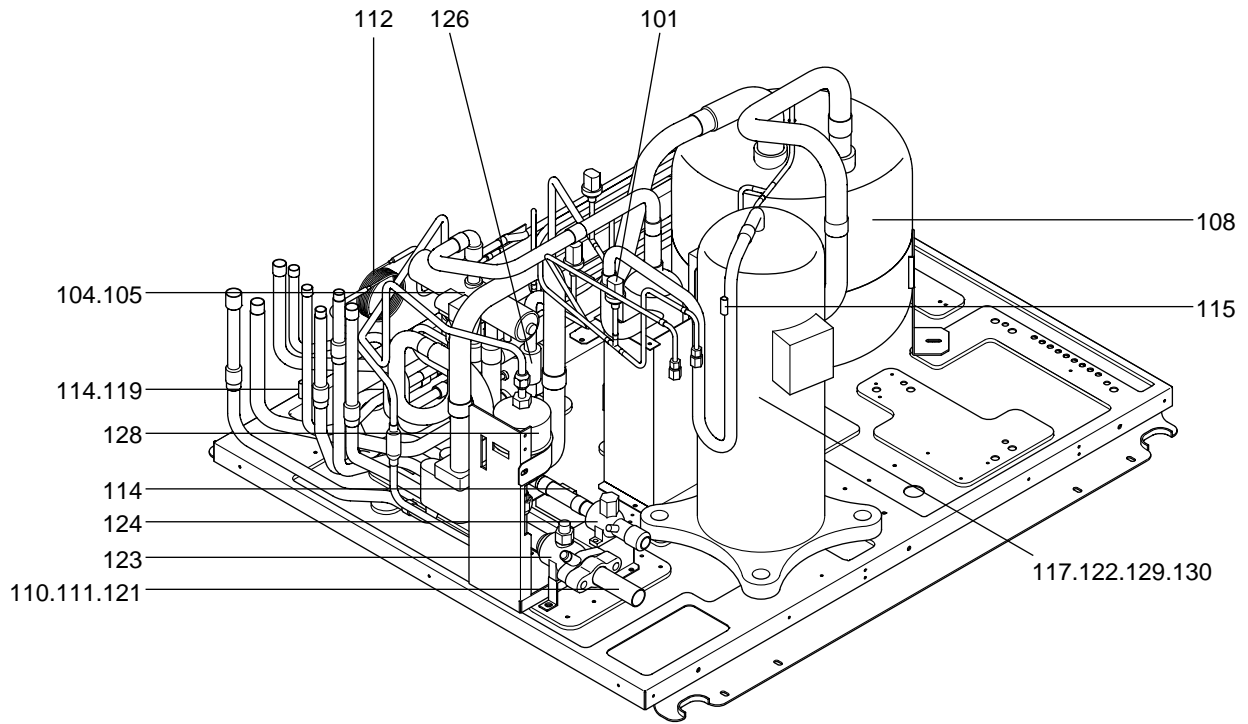
PURY-P200YEM-A(-BS,-BF)
PURY-P250YEM-A(-BS,-BF)

EXTERNAL PARTS

No.	Part No.	Part Name	Spec.	-P200YEM-A	-P250YEM-A	-P200YEM-A-BS	-P250YEM-A-BS	-P200YEM-A-BF	-P250YEM-A-BF	Dwg. No.	Price
1	R61 Y08 629	Partition board L		1	1			1	1	W638395G01	
2	R61 Y11 629	Partition board L				1	1			W638395G02	
3	R61 Y20 629	Partition board R		1	1			1	1	W639809G03	
4	R61 Y21 629	Partition board R				1	1			W639809G04	
5	R61 Y04 659	Front panel		1	1			1	1	W627844H02	
6	R61 L86 659	Front panel				1	1			W627844G01	
7	R61 A42 638	Guard B		1	1	1	1	1	1	W265789G01	
8	R61 E66 611	Guard F		1	1	1	1	1	1	W265788G01	
9	R61 N78 118	Fan guard		1	1	1	1	1	1	W126832G01	
10	R61 L78 651	Panel B		1	1			1	1	W615886H09	
11	R61 Y01 677	Panel B				1	1			W615886G13	
12	R61 L78 653	Panel FU		2	2			2	2	W633746H06	
13	R61 N78 653	Panel FU				2	2			W633746G06	
14	R61 Y13 652	Panel F		1	1			1	1	W857425G26	
15	R61 Y14 652	Panel F				1	1			W857425G38	
16	R61 N78 661	Panel S		2	2			2	2	W272421H01	
17	R61 N78 662	Panel S				2	2			W272421G02	
18	R61 Y64 481	Heat exchanger B		1	1					W273428G01	
19	R61 Y65 481	Heat exchanger B				1	1			W273428G02	
20	R61 Y66 481	Heat exchanger B						1	1	W273428G03	
21	R61 Y67 481	Heat exchanger F		1	1					W273414G01	
22	R61 Y68 481	Heat exchanger F				1	1			W273414G02	
23	R61 Y69 481	Heat exchanger F						1	1	W273414G03	
24	R61 A42 140	Fan stand		2	2			2	2	W856127G05	
25	R61 A43 140	Fan stand				2	2			W856127G06	
26	R61 A69 086	Cap		1	1	1	1	1	1	P221056X01	
27	R61 A42 122	Nut 16		1	1	1	1	1	1	P541016X01	
28	R61 N78 115	Propeller fan	750D	1	1	1	1	1	1	W126814G01	
29	R61 Y33 221	Motor	YD380VB<MF>	1	1	1	1	1	1	P714762X01	
30	R61 E90 087	Screw	6X14	4	4	4	4	4	4	P521020X01	

PURY-P200YEM-A(-BS,-BF)
PURY-P250YEM-A(-BS,-BF)

FUNCTIONAL PARTS



PURY-P200YEM-A(-BS,-BF)
PURY-P250YEM-A(-BS,-BF)

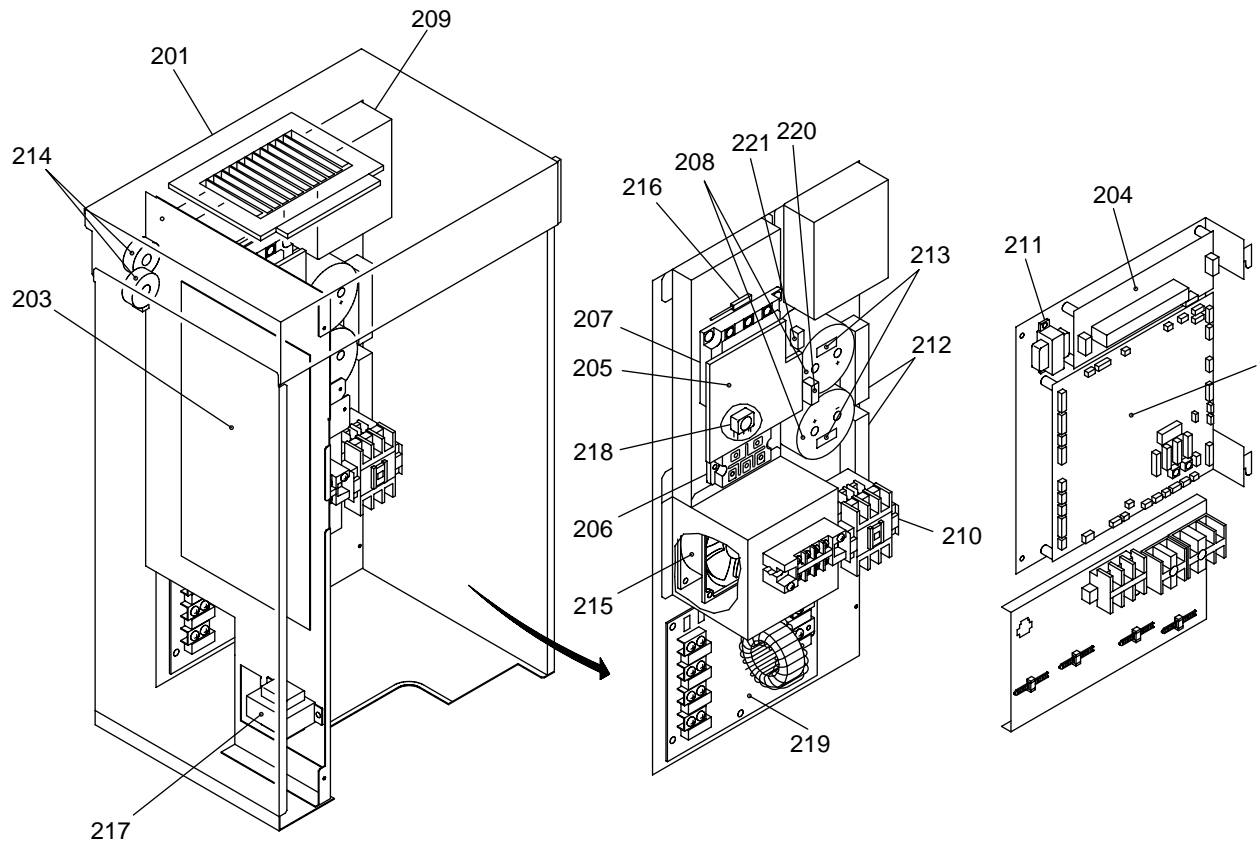
FUNCTIONAL PARTS

No.	Part No.	Part Name	Spec.	-P200YEM-A	-P250YEM-A	-P200YEM-A-BS	-P250YEM-A-BS	-P200YEM-A-BF	-P250YEM-A-BF	Dwg. No.	Price
101	R61 Y09 208	Pressure switch	<63H>	1	1	1	1	1	1	P426300X01	
102	R61 N78 288	Pressure sensor	<63LS>	1	1	1	1	1	1	P418009X01	
103	R61 N79 288	Pressure sensor	<63HS>	1	1	1	1	1	1	P418010X01	
104	R61 G35 403	Four way valve	VH6100F	1	1	1	1	1	1	P633107X03	
105	R61 Y07 242	Four way valve coil	<21S4>	1	1	1	1	1	1	P633106X01	
106	R61 N78 232	Solenoid valve	VD10208	1	1	1	1	1	1	P631271X01	
107	R61 Y07 243	Solenoid valve coil	LD24514,<SV1>	1	1	1	1	1	1	P631245X01	
108	R61 N78 484	Accumulator		1	1	1	1	1	1	W271967G04	
109	R61 N78 487	Oil separator		1	1	1	1	1	1	W649826G01	
110	R61 E90 494	Pipe ass'y		1		1		1		W619465G04	
111	R61 E91 494	Pipe ass'y			1		1		1	W619465G05	
112	R61 L85 425	Capillary tube		2	2	2	2	2	2	W888053G01	
113	R61 N78 426	Capillary tube		1	1	1	1	1	1	W897395G01	
114	R61 670 202	Thermistor	NTH3A14,<TH5,6,7>	3	3	3	3	3	3	P425496X01	
115	R61 671 202	Thermistor	<TH1>	1	1	1	1	1	1	P425439X01	
116	R61 F14 200	Thermistor	<TH2>	1	1	1	1	1	1	P425565X01	
117	R69 995 478	Scroll compressor	HEB92FA-YB	1	1	1	1	1	1	EP10079G02	
118	R61 A42 287	Sensor cover	EVA,6.35D	1	1	1	1	1	1	P227170X01	
119	R61 A45 287	Sensor cover	EVA,12.7D	1	1	1	1	1	1	P227171X01	
120	R61 F14 413	Check joint		2	2	2	2	2	2	P639131X01	
121	R61 F14 514	Packing	T/#1991-NF	1	1	1	1	1	1	P321009X01	
122	R61 Y08 262	Belt heater	240V 45W,<CH1>	1	1	1	1	1	1	P493642X02	
123	R61 f14 411	Ball valve	1Flange	1	1	1	1	1	1	P636219X02	
124	R61 Y08 410	Ball valve		1	1	1	1	1	1	P636276X01	
125	R61 Y01 232	Solenoid valve	SR10DB	4	4	4	4	4	4	P631230X01	
126	R61 F14 418	Check valve		1	1	1	1	1	1	P639130X01	
127	R61 Y06 243	Solenoid valve coil	SR10DB<3,4,5,6>	4	4	4	4	4	4	P631231X01	
128	R61 M57 405	Drier		1	1	1	1	1	1	P641114X01	
129	R61 Y01 850	Insulator		1	1	1	1	1	1	W628447H02	
130	R61 Y02 850	Insulator		1	1	1	1	1	1	W861746H02	
131	R61 155 454	Strainer	6.35D	1	1	1	1	1	1	W882822G01	
132	R61 A42 454	Strainer	9.52D	2	2	2	2	2	2	W882823G01	

No. : For use with R407C

PURY-P200YEM-A(-BS,-BF)
PURY-P250YEM-A(-BS,-BF)

CONTROL BOX PARTS



PURY-P200YEM-A(-BS,-BF)
 PURY-P250YEM-A(-BS,-BF)

CONTROL BOX PARTS

No.	Part No.	Part Name	Spec.	-P200YEM-A	-P250YEM-A	-P200YEM-A-BS	-P250YEM-A-BS	-P200YEM-A-BF	-P250YEM-A-BF	Dwg. No.	Price
201	R61 Y12 305	Control box		1	1	1	1	1	1	W272682G01	
202	R61 Y87 280	Main board		1	1	1	1	1	1	W272681G03	
203	R61 Y21 321	INV board		1	1	1	1	1	1	W652111G01	
204	R61 Y01 251	Fan controller board		1	1	1	1	1	1	W639913G02	
205	R61 Y43 280	G/A board		1	1	1	1	1	1	W652112G02	
206	R61 Y12 320	Diode	DF60LB160	1	1	1	1	1	1	W876941G06	
207	R61 Y04 249	IPM	6MBP50RA120	1	1	1	1	1	1	W848413G10	
208	R61 Y18 252	Capacitor	400WV,47000µF<C2,3>	2	2	2	2	2	2	P412265X01	
209	R61 Y01 259	Reactor	1.92mH/34A<DCL>	1	1	1	1	1	1	P419149X01	
210	R61 Y28 225	Magnet contactor	PAK-21J,AC240V<52C>	1	1	1	1	1	1	S427020H12	
211	R61 Y14 260	Transformer	240V/40V<T1>	1	1	1	1	1	1	P715302X01	
212	R61 Y06 234	Resistor	40W,47Ω<R1,5>	2	2	2	2	2	2	P411141X01	
213	R61 Y02 234	Resistor	10W,33kΩ,pitch=32<R2,3>	2	2	2	2	2	2	P411126X01	
214	R61 Y02 287	ACCT	CHJ038CP2B	1	1	1	1	1	1	W652122G01	
215	R61 Y15 118	Fan	109S025UL	1	1	1	1	1	1	W639916G01	
216	R61 F14 201	Thermistor		1	1	1	1	1	1	P414095X01	
217	R61 Y02 244	Choke coil	1A,30mH,<L2>	1	1	1	1	1	1	P419121X01	
218	R61 L85 252	ZNR+C		1	1	1	1	1	1	W886345G01	
219	R61 Y10 293	NF CF4030C-MX2		1	1	1	1	1	1	P417003X01	
220	R61 A42 289	DCCT		1	1	1	1	1	1	P419079X02	
221	R61 Y24 252	Capacitor	<C4>	1	1	1	1	1	1	W899149G02	

