

SERVICE PARTS LIST FOR MITSUBISHI ELECTRIC PACKAGED AIR-CONDITIONERS

**Series PURY-P-YMF-C
PURY-P-YEM-A**

For use with the R407C

**REVISED
Jan. 2004**

INDEX

PURY-P400YMF-C

PURY-P500YMF-C

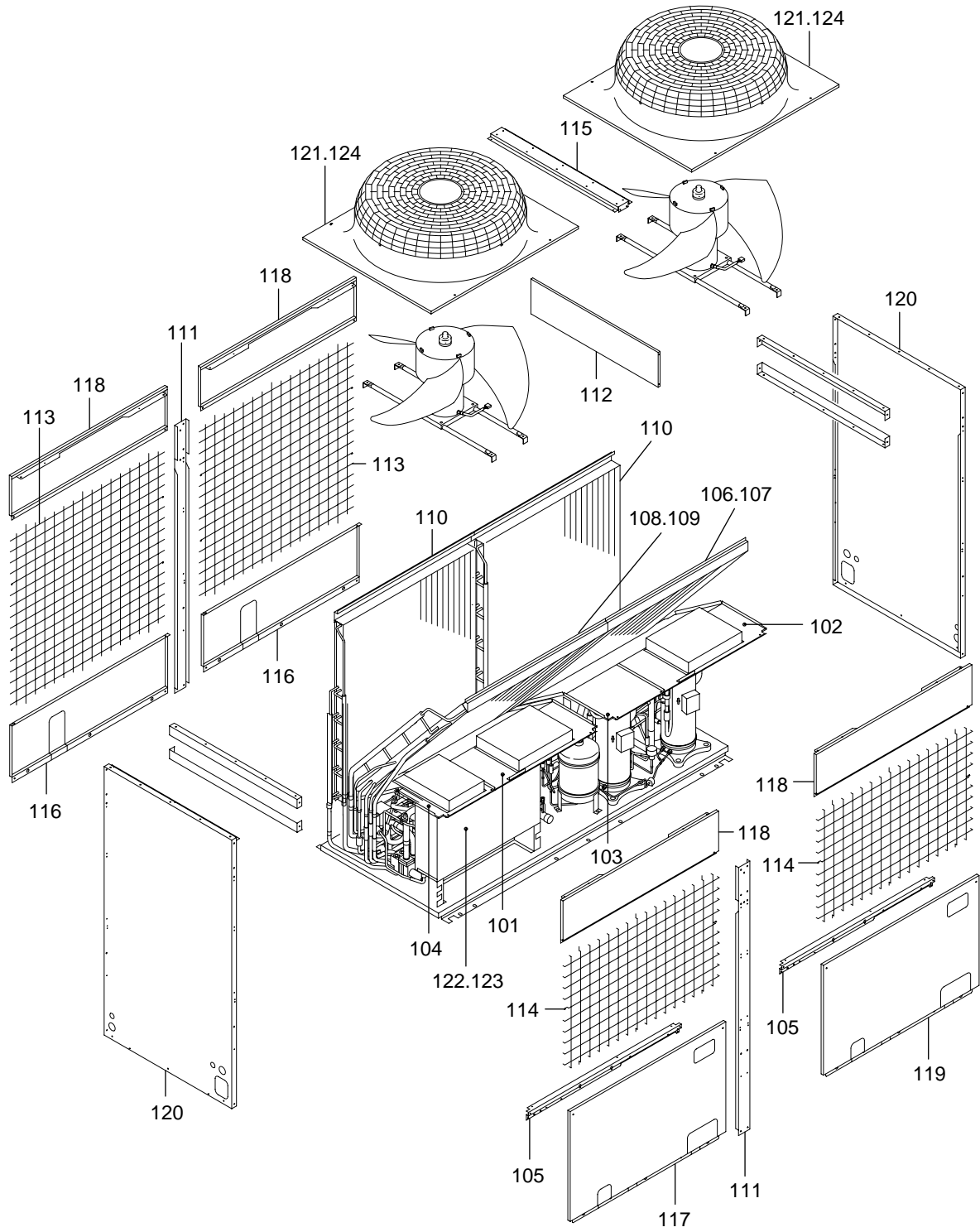
PURY-P400YEM-A

PURY-P500YEM-A



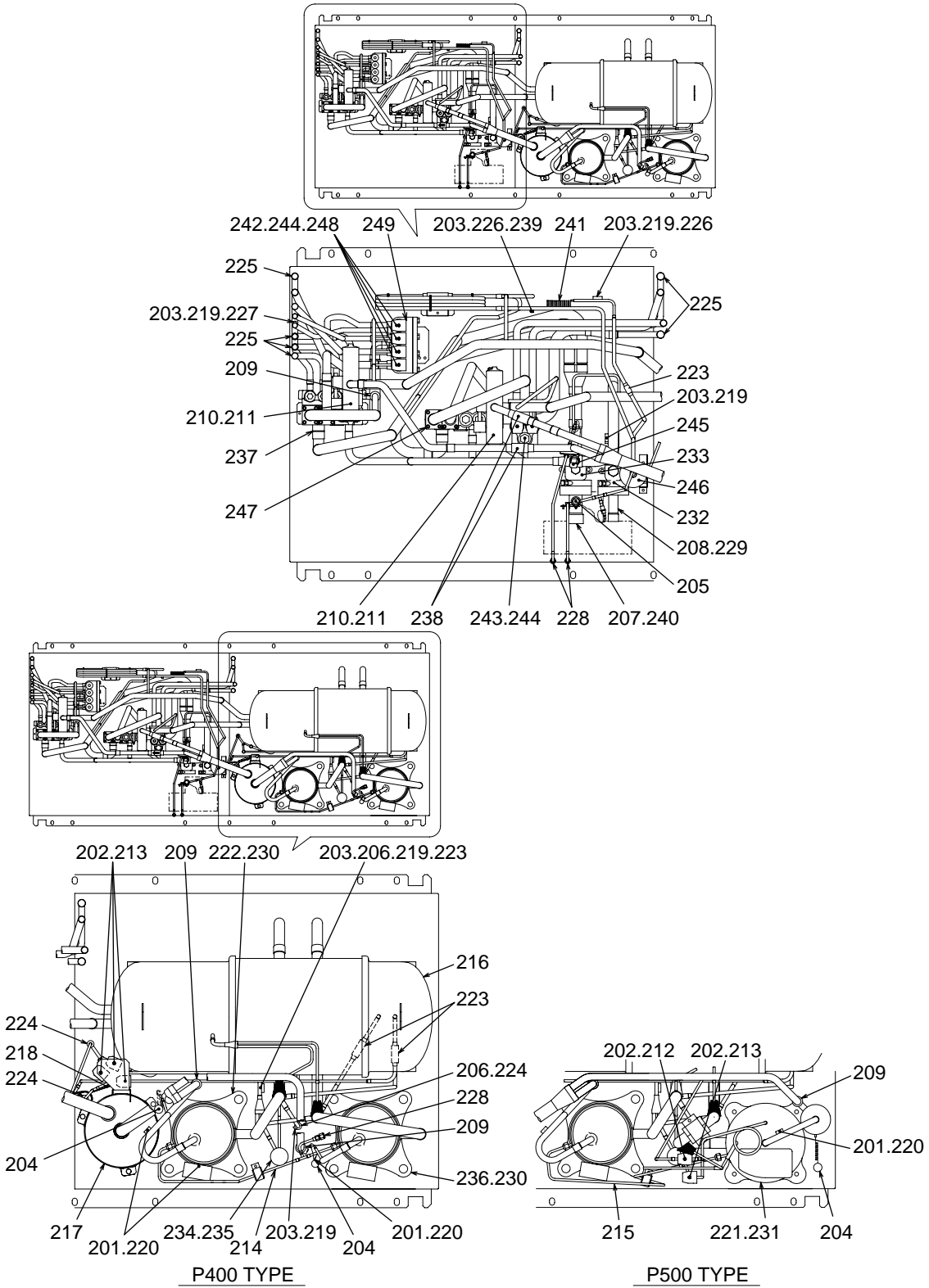
PURY-P400,P500YMF-C
PURY-P400,P500YEM-A

EXTERNAL PARTS



PURY-P400,P500YMF-C
 PURY-P400,P500YEM-A

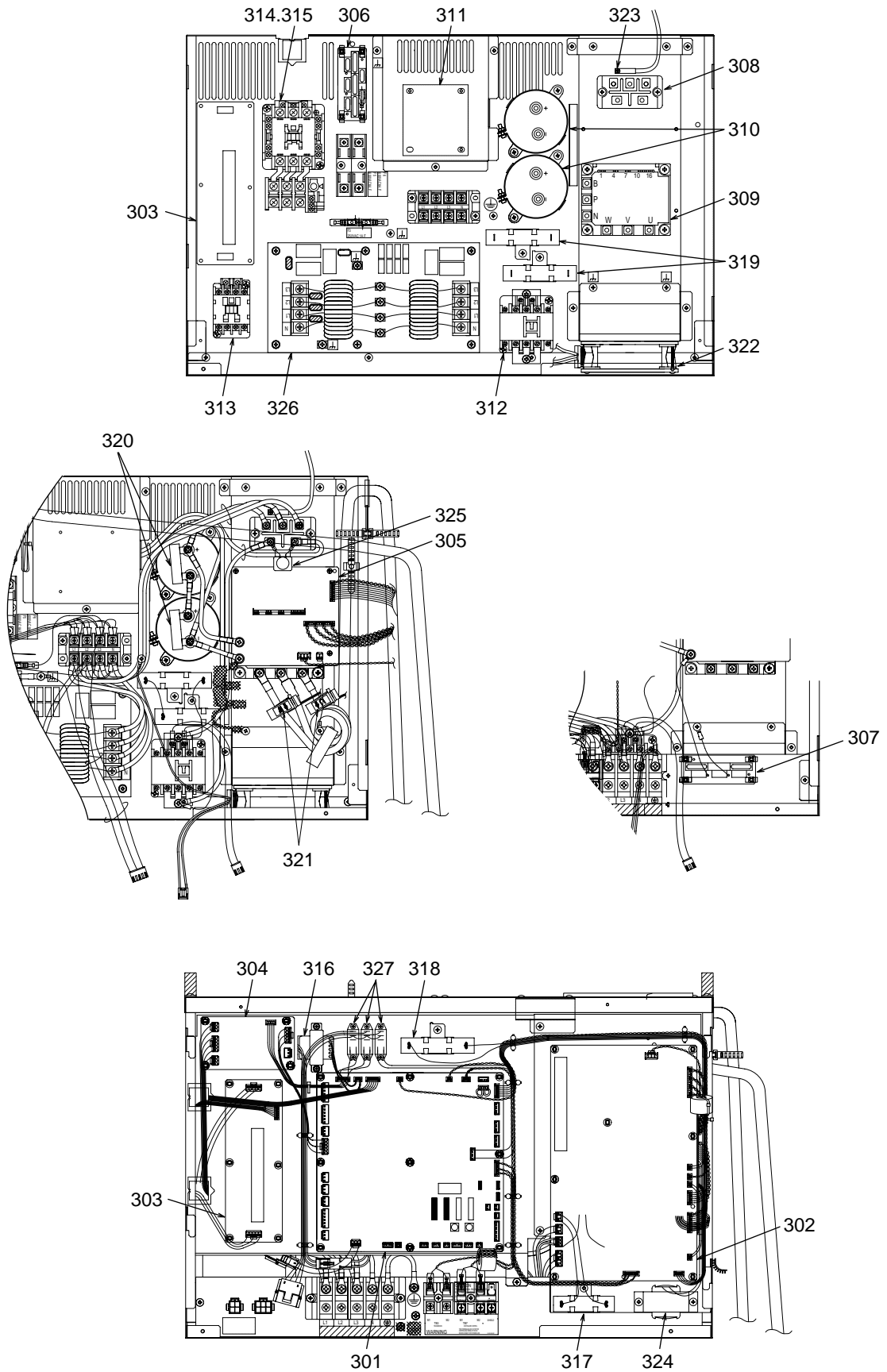
FUNCTIONAL PARTS



No.	Part No.	Part Name	Spec.	P400YMF-C	P500YMF-C	P400YEM-A	P500YEM-A	Dwg. No.	Price
201	R11 347 865	L.TH spring		3	3	3	3	U38D120H03	
202	R61 Y04 243	Solenoid valve coil	(NEV)<SV1,4a,6a,22,32>	3	5	3	5	P631205X01	
203	R13 658 276	TH spring		6	6	6	6	C38D815H01	

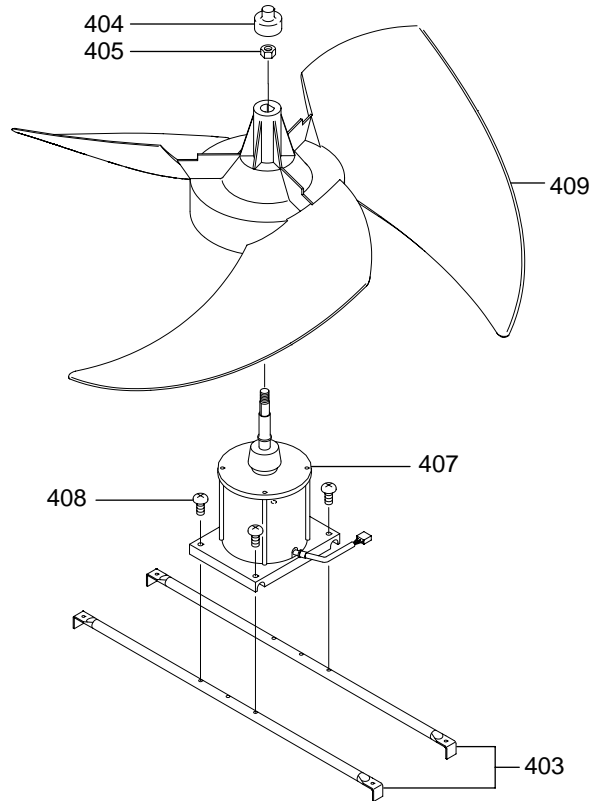
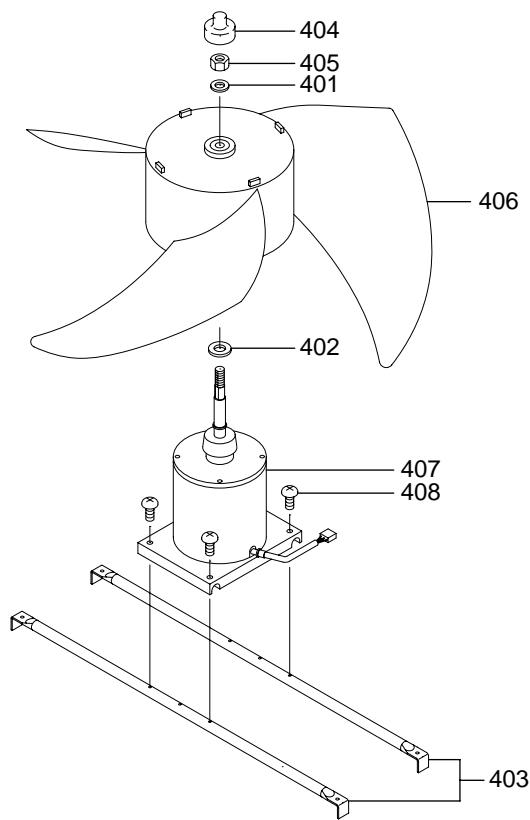
No.	Part No.	Part Name	Spec.	P400YMF-C	P500YMF-C	P400YEM-A	P500YEM-A			Dwg. No.	Price
204	R61 Y08 208	Pressure switch ass'y	<63H1,2>	2	2	2	2			W872429G02	
205	R61 331 288	Pressure sensor	<63HS>	1	1	1	1			P419110X01	
206	R61 Y04 237	Liquid level detecting heater ass'y	<CH2,3>	1	1	1	1			W872422G01	
207	R61 Y03 494	Pipe ass'y		1	1	1	1			W883580G05	
208	R61 Y05 494	Pipe ass'y		1	1	1	1			W656083G03	
209	R61 F14 418	Check valve		3	3	3	3			P639130X01	
210	R61 E37 154	Four way valve	VH60100	2	2	2	2			P633101X01	
211	R61 Y03 242	Four way valve coil	<21S4a,21S4b>	2	2	2	2			P633078X01	
212	R61 670 232	Solenoid valve	(NEVL-202DXF)<SV22>		1		1			P631148X01	
213	R61 435 232	Solenoid valve	(NEV-202DXF)<SV1,4a,6a,32>	3	4	3	4			P631807X02	
214	R61 Y04 494	Equalizer ass'y		1		1				W633750G02	
215	R61 H13 485	Equalizer ass'y			1		1			W633751G02	
216	R61 Y44 484	Accumulator ass'y		1	1	1	1			W271344G14	
217	R61 Y11 487	Oil separator		1	1	1	1			W266568G03	
218	R61 F62 425	Capillary tube ass'y	<1.6X3.2-700>	1	1	1	1			W861175G02	
219	R61 670 202	Thermistor	(NTH3A14)<TH3,4,5,6,7,9>	6	6	6	6			P425496X01	
220	R61 911 202	Thermistor	<TH10,11,12>	3	3	3	3			P425416X02	
221	R69 964 478	Scroll compressor	ZEC165YAA-J		1		1			EP10034G02	
222	R69 962 478	Scroll compressor	HEV92FA1-YJ	1	1	1	1			EP10013G07	
223	R61 A42 454	Strainer	9.52D	4	4	4	4			W882823G01	
224	R61 155 454	Strainer	6.35D	3	3	3	3			W882822G01	
225	R61 Y02 454	Strainer		6	6	6	6			W858399G02	
226	R61 A42 287	Sensor cover	EVA(6.35D)	2	2	2	2			P227170X01	
227	R61 A45 287	Sensor cover	EVA(12.7D)	1	1	1	1			P227171X01	
228	R61 F14 413	Check joint		3	3	3	3			P639131X01	
229	R61 F14 514	Packing		1	1	1	1			P321009X01	
230	R61 Y07 237	Belt heater	(240V45W)<CH11,12>	2	1	2	1			P493781X01	
231	R61 Y08 237	Belt heater	(240V56W)<CH12>		1		1			P493782X01	
232	R61 N12 410	Ball valve	25.4mm 7/8"	1	1	1	1			P636269X01	
233	R61 Y04 410	Ball valve	32.2mm 1 3/8"	1	1	1	1			P636297X01	
234	R61 G48 401	Linear expansion valve	DKV-18D124	1	1	1	1			P632342X01	
235	R61 E66 401	Linear expansion valve coil	<SLEV>	1	1	1	1			P632312X01	
236	R69 986 478	Scroll compressor	HE101YAB-J	1		1				EP10031G03	
237	R61 H50 418	Check valve block ass'y		1	1	1	1			W264806G02	
238	R61 800 454	Strainer		2	2	2	2			W834000H02	
239	R61 F14 200	Thermistor	<TH2>	1	1	1	1			P425565X01	
240	R61 K50 514	Packing		1	1	1	1			W881519H01	
241	R61 L85 425	Capillary tube processing	<0.8X2.4-2000>	1	1	1	1			W888053G01	
242	R61 Y01 232	Solenoid valve	(SR10DB)<SV3-6>	4	4	4	4			P631230X01	
243	R61 Y04 232	Solenoid valve	(BSR12TY)<SV7,8>	1	1	1	1			P631256X01	
244	R61 Y06 243	Solenoid valve coil	(SR10D)<SV3-8>	6	6	6	6			P631231X01	
245	R61 G35 288	Pressure sensor	<63LS>	1	1	1	1			P419129X01	
246	R61 N24 405	Drier		1	1	1	1			P641115X01	
247	R61 Y01 418	Check valve block ass'y		1	1	1	1			W271363G01	
248	R61 H35 235	Fasten part for solenoid valve		1	1	1	1			W887645G01	
249	R61 H50 232	Solenoid valve block ass'y		1	1	1	1			W629956G04	

[No.] : For use with R407C



PURY-P400,P500YMF-C
 PURY-P400,P500YEM-A

BLOWER PARTS



No.	Part No.	Part Name	Spec.					Dwg. No.	Price
				P400YMF-C	P500YMF-C	P400YEM-A	P500YEM-A		
401	R61 A42 136	Washer	17X32	2	2			P562006X01	
402	R61 A45 136	Washer	20.5X40	2	2			P562007X01	
403	R61 A42 140	Fan stand		4	4	4	4	W856127G05	
404	R61 A69 086	Cap		2	2	2	2	P221056X01	
405	R61 A42 122	Nut 16		2	2	2	2	P541016X01	
406	R61 E66 115	Propeller fan	750D	2	2			W872619G01	
407	R61 Y33 221	Motor	YD380VB<MF2,3>	2	2	2	2	P714762X01	
408	R61 E90 087	Screw	6X14	8	8	8	8	P521020X01	
409	R61 N78 115	Propeller fan	750D			2	2	W126814G01	

