

# **SERVICE PARTS LIST FOR MITSUBISHI ELECTRIC PACKAGED AIR-CONDITIONERS**

**Series PQRV-P-YEM-A  
PQHY-P-YEM-A**

**For use with the R407C**

**Jan. 2004**

## **INDEX**

**PQRV-P200YEM-A**

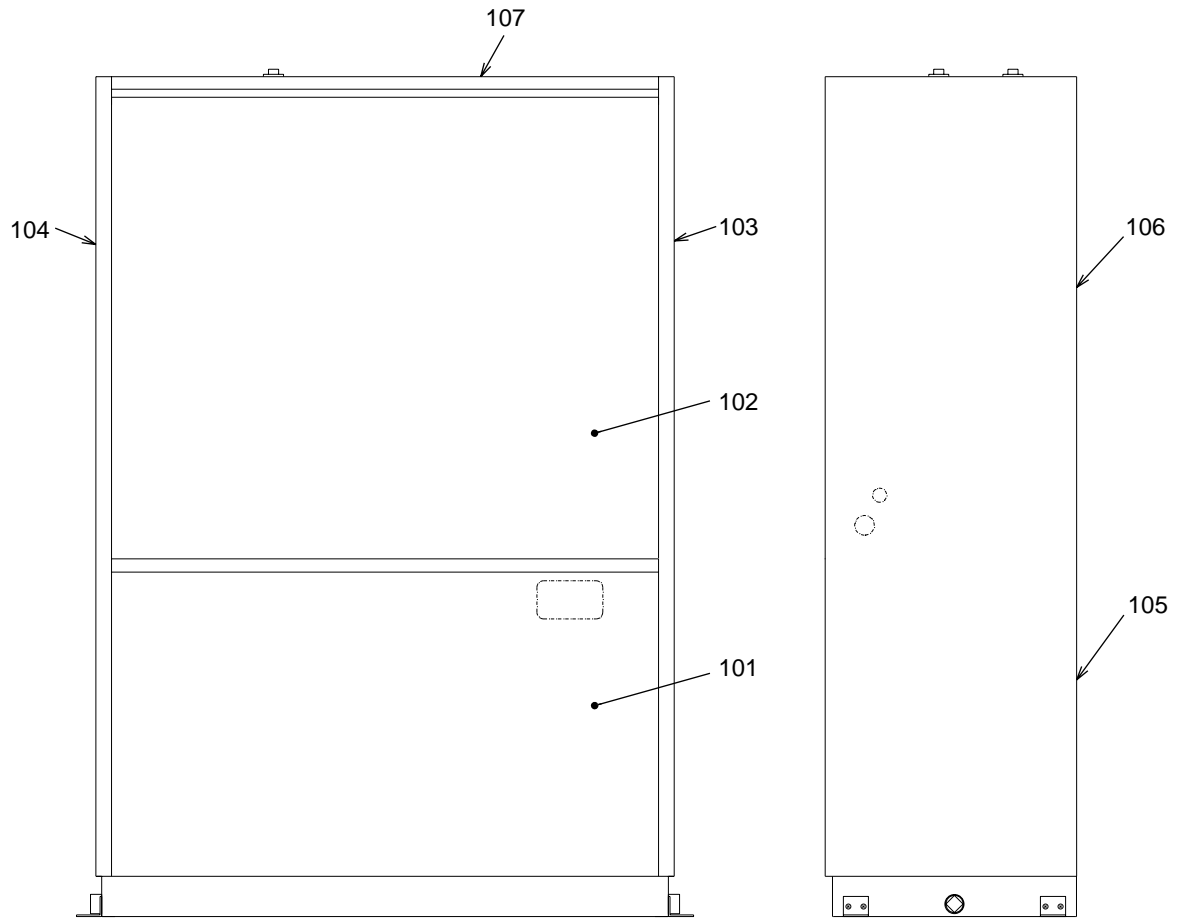
**PQRV-P250YEM-A**

**PQHY-P200YEM-A**

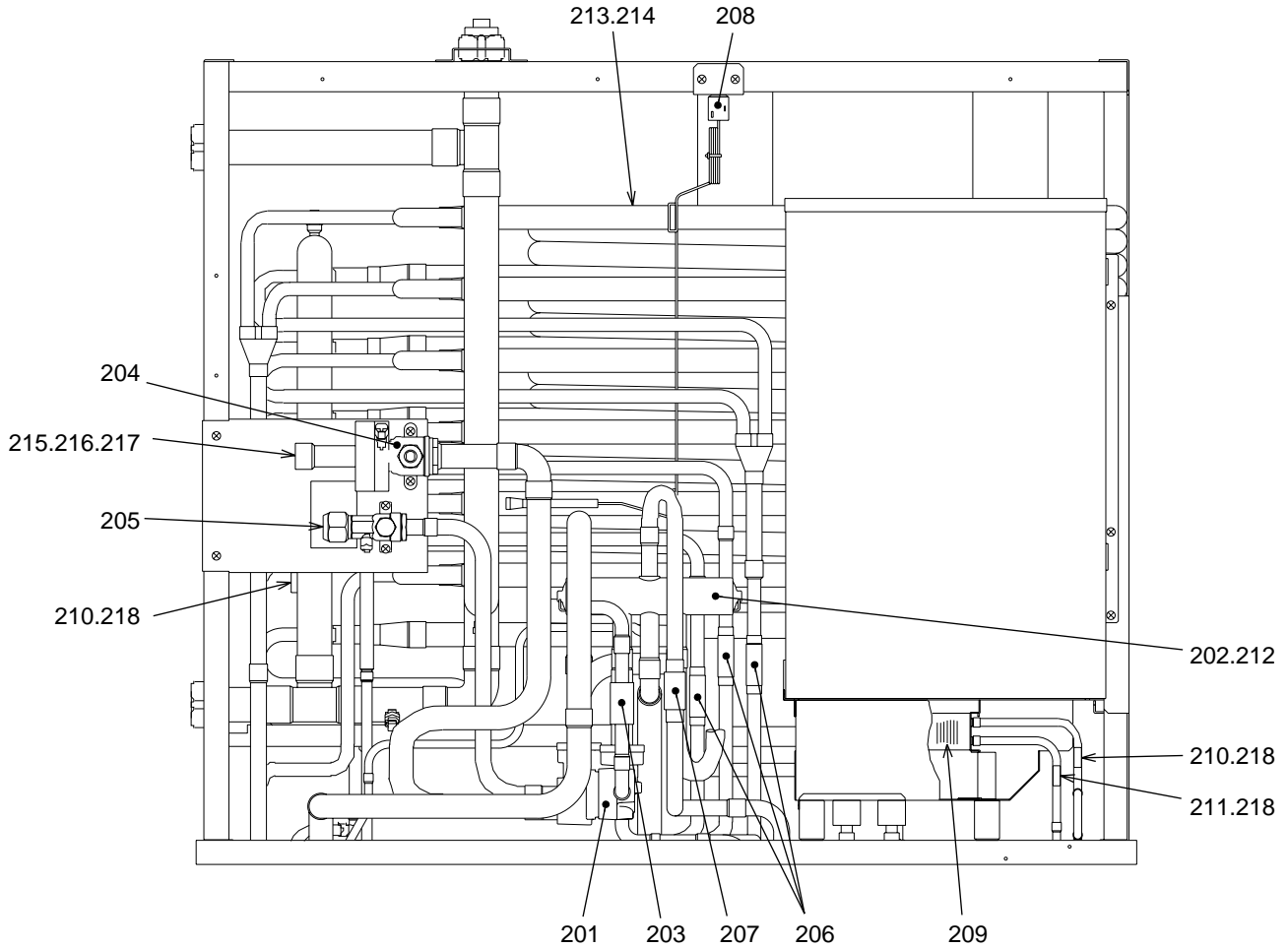
**PQHY-P250YEM-A**

PQRY-P200,P250YEM-A  
 PQHY-P200,P250YEM-A

EXTERNAL PARTS

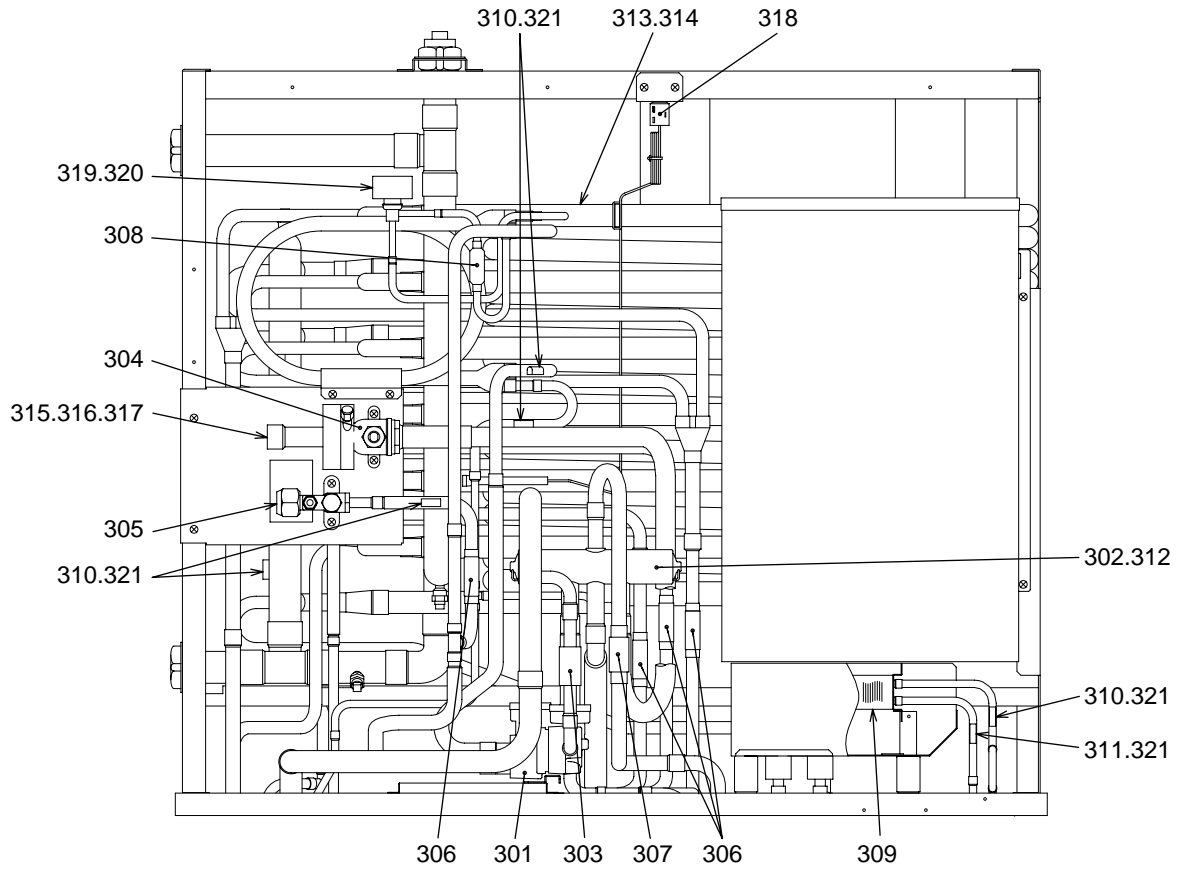


No.	Part No.	Part Name	Spec.	PQRY-P200YEM-A	PQRY-P250YEM-A	PQHY-P200YEM-A	PQHY-P250YEM-A			Dwg. No.	Price
101	R61 Y01 646	Front panel 1 ass'y		1	1	1	1			W636733G07	
102	R61 Y02 646	Front panel 2 ass'y		1	1	1	1			W637806G05	
103	R61 Y04 031	Side panel R ass'y		1	1	1	1			W636731G04	
104	R61 Y03 031	Side panel L ass'y		1	1	1	1			W636730G05	
105	R61 Y01 676	Rear panel 1 ass'y		1	1	1	1			W636729G04	
106	R61 Y02 676	Rear panel 2 ass'y		1	1	1	1			W636728G04	
107	R61 Y02 642	Top panel		1	1	1	1			W635450H01	



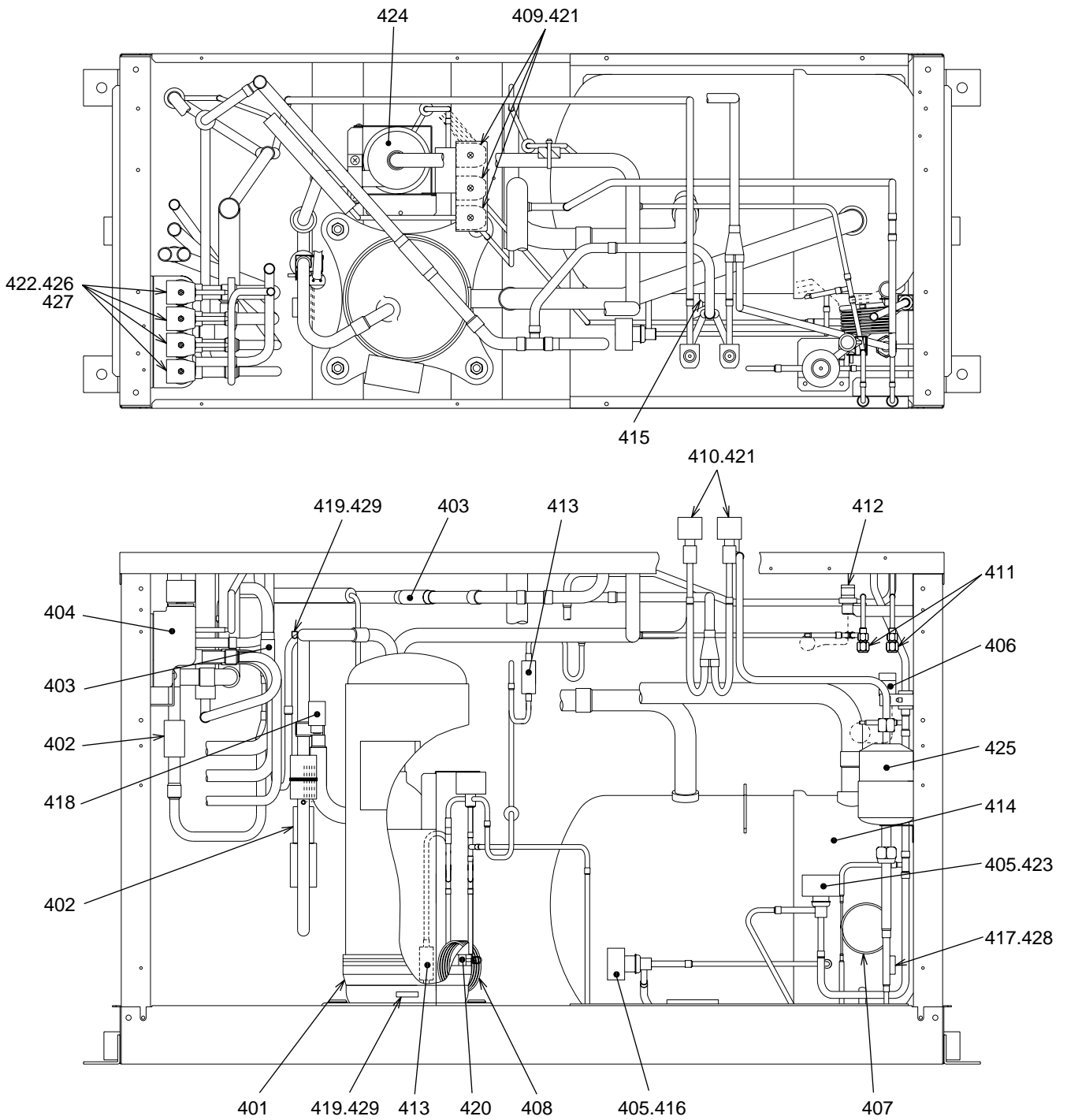
No.	Part No.	Part Name	Spec.	PQRY-P200YEM-A	PQRY-P250YEM-A					Dwg. No.	Price
201	R61 H50 418	Check valve block ass'y		1	1					W264806G02	
202	R61 E37 154	Four way valve		1	1					P633101X01	
203	R61 F14 418	Check valve		1	1					P639130X01	
204	R61 N12 410	Ball valve	P-25.4	1	1					P636269X01	
205	R61 Y02 410	Ball valve	3/4	1	1					P636224X01	
206	R61 Y02 454	Strainer		3	3					W858399G02	
207	R61 800 454	Strainer		1	1					W834000H02	
208	R61 625 200	Thermostat	<26W>	1	1					P425296X01	
209	R61 K89 480	Heat exchanger		1	1					W639813G01	
210	R61 670 202	Thermistor	(NTH3A14)<TH6 INV>	2	2					P425496X01	
211	R61 F14 200	Thermistor	<TH2>	1	1					P425565X01	
212	R61 Y03 242	Four way valve coil	<21S4>	1	1					P633078X01	
213	R61 Y80 480	Heat exchanger ass'y		1						W267338G07	
214	R61 Y81 480	Heat exchanger ass'y			1					W267334G09	
215	R61 Y05 494	Pipe ass'y		1						W656083G03	
216	R61 Y06 494	Pipe ass'y			1					W656083G04	
217	R61 F14 514	Packing		1	1					P321009X01	
218	R13 658 276	TH spring		3	3					C38D815H01	

No. : For use with R407C



No.	Part No.	Part Name	Spec.	PQHY-P200YEM-A	PQHY-P250YEM-A					Dwg. No.	Price
301	R61 M38 418	Check valve block ass'y		1	1					W271326G01	
302	R61 E37 154	Four way valve		1	1					P633101X01	
303	R61 F14 418	Check valve		1	1					P639130X01	
304	R61 N12 410	Ball valve	P-25.4	1	1					P636269X01	
305	R61 F14 410	Ball valve	1/2	1	1					P636220X02	
306	R61 Y02 454	Strainer		4	4					W858399G02	
307	R61 800 454	Strainer		1	1					W834000H02	
308	R61 A42 454	Strainer		1	1					W882823G01	
309	R61 K89 480	Heat exchanger		1	1					W639813G01	
310	R61 670 202	Thermistor	(NTH3A14)<TH5-8 INV>	5	5					P425496X01	
311	R61 F14 200	Thermistor	<TH2>	1	1					P425565X01	
312	R61 Y03 242	Four way valve coil	<21S4>	1	1					P633078X01	
313	R61 Y80 480	Heat exchanger ass'y		1						W267338G07	
314	R61 Y81 480	Heat exchanger ass'y			1					W267334G09	
315	R61 Y05 494	Pipe ass'y		1						W656083G03	
316	R61 Y06 494	Pipe ass'y			1					W656083G04	
317	R61 F14 514	Packing		1	1					P321009X01	
318	R61 625 200	Thermostat	<26W>	1	1					P425296X01	
319	R61 G48 401	Linear expansion valve	DKV-18D124	1	1					P632342X01	
320	R61 M38 463	Wiring processing	<LEV1>	1	1					W892020G02	
321	R13 658 276	TH spring		6	6					C38D815H01	

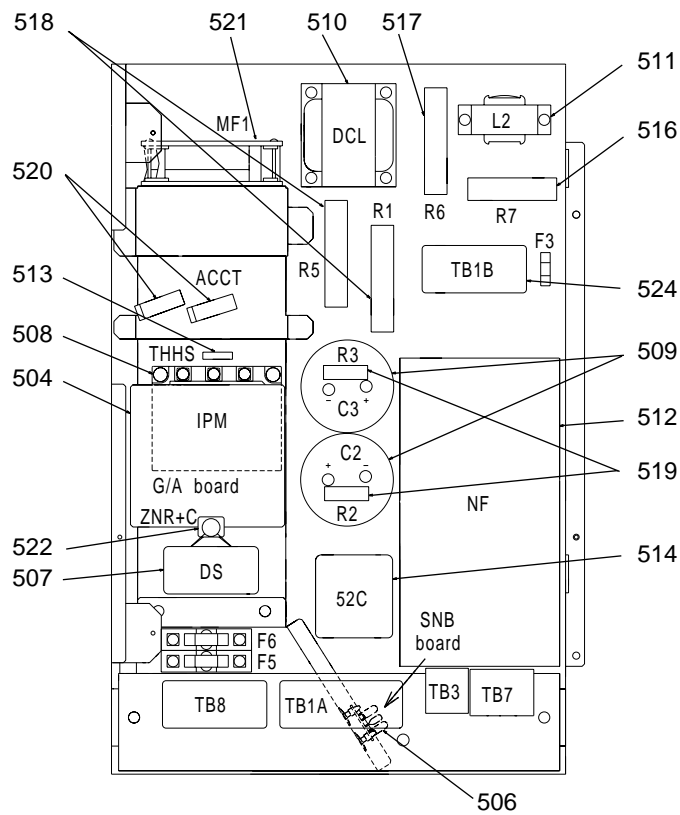
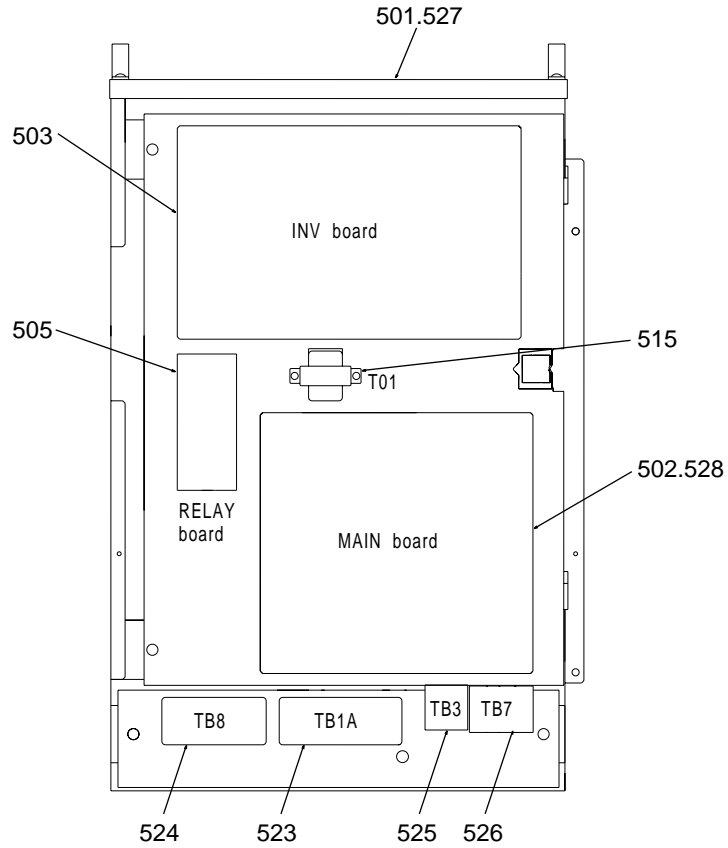
[No.] : For use with R407C



No.	Part No.	Part Name	Spec.	PQRY-P200YEM-A	PQRY-P250YEM-A	PQHY-P200YEM-A	PQHY-P250YEM-A		Dwg. No.	Price
401	R69 963 478	Scroll compressor	HEV92FA1-YB	1	1	1	1		EP10013G08	
402	R61 F14 418	Check valve		2	2	2	2		P639130X01	
403	R61 Y02 454	Strainer		2	2	2	2		W858399G02	
404	R61 H50 232	Solenoid valve block ass'y		1	1	1	1		W629956G04	
405	R61 G48 401	Linear expansion valve	DKV-18D124	2	2	2	2		P632342X01	
406	R61 G35 288	Pressure sensor	<63LS>	1	1	1	1		P419129X01	
407	R61 926 425	Capillary tube processing	0.8X2.4-2000	1	1	1	1		W842624G01	
408	R61 Y07 425	Capillary tube ass'y	1.2X3.0-1000	1	1	1	1		W883531G01	
409	R61 435 232	Solenoid valve	NEV202DXF	3	3	3	3		P631807X02	
410	R61 800 232	Solenoid valve	NEV603DXF	2	2	2	2		P631805X01	
411	R61 F14 413	Check joint		2	2	2	2		P639131X01	
412	R61 331 288	Pressure sensor	<63HS>	1	1	1	1		P419110X01	
413	R61 155 454	Strainer		2	2	2	2		W882822G01	
414	R61 Y46 484	Accumulator		1	1	1	1		W271964G06	
415	R61 A42 454	Strainer		1	1	1	1		W882823G01	
416	R61 A45 402	Linear expansion valve coil	<SLEV>	1	1	1	1		P632298X01	
417	R61 670 202	Thermistor	(NTH3A14)<TH9>	1	1	1	1		P425496X01	
418	R61 Y06 208	Pressure switch	<63H>	1	1	1	1		P426258X02	
419	R61 911 202	Thermistor	<TH1,10>	2	2	2	2		P425416X02	
420	R61 Y08 262	Belt heater	<CH1>	1	1	1	1		P493642X02	
421	R61 Y04 243	Solenoid valve coil	(NEV)<SV1,2,71,72,73>	5	5	5	5		P631205X01	
422	R61 Y06 243	Solenoid valve coil SR10D	<SV3,4,5,6>	4	4	4	4		P631231X01	
423	R61 A45 401	Linear expansion valve coil	<LEV2>	1	1	1	1		P632299X01	
424	R61 M38 487	Oil separator ass'y		1	1	1	1		W644971G01	
425	R61 M57 405	Drier		1	1	1	1		P641114X01	
426	R61 Y01 232	Solenoid valve	SR10DB	4	4	4	4		P631230X01	
427	R61 H35 235	Fasten part for solenoid valve		1	1	1	1		W887645G01	
428	R13 658 276	TH spring		1	1	1	1		C38D815H01	
429	R11 347 865	L.TH spring		2	2	2	2		U38D120H03	

No. : For use with R407C

CONTROL BOX PARTS



No.	Part No.	Part Name	Spec.	PQRY-P200YEM-A	PQRY-P250YEM-A	PQHY-P200YEM-A	PQHY-P250YEM-A			Dwg. No.	Price
501	R61 Y16 321	Control box(INV)		1	1					W266294G07	
502	R61 Y83 280	Main board		1	1					W266235G24	
503	R61 Y67 280	INV board		1	1	1	1			W639915G01	
504	R61 Y66 280	G/A board		1	1	1	1			W639914G01	
505	R61 Y55 280	Relay board		1	1	1	1			W629574G01	
506	R61 Y20 281	SNB board		1	1	1	1			W629557G03	
507	R61 Y12 320	Diode	DF60LB160	1	1	1	1			W876941G06	
508	R61 Y04 249	IPM	6MBP50RA120	1	1	1	1			W848413G10	
509	R61 Y18 252	Capacitor	400WV,4700µF<C2,3>	2	2	2	2			P412265X01	
510	R61 Y01 259	Reactor	1.92mH/34A<DCL>	1	1	1	1			P419149X01	
511	R61 Y02 244	Choke coil	1A,30mH	1	1	1	1			P419121X01	
512	R61 Y09 293	Noise filter	VF4030C-MX2	1	1	1	1			W893513G01	
513	R61 F14 201	Thermistor	181-503-97128	1	1	1	1			P414095X01	
514	R61 Y28 225	Magnet contactor	PAK-21J	1	1	1	1			S427020H12	
515	R61 Y14 260	Transformer	240V/40V<T1>	1	1	1	1			P715302X01	
516	R61 670 234	Resistor	30W 22Ω<R7>	1	1	1	1			P411113X01	
517	R61 E69 234	Resistor	40W 110Ω<R6>	1	1	1	1			P411131X01	
518	R61 Y05 234	Resistor	40W 5kΩ<R1,5>	2	2	2	2			P411133X01	
519	R61 Y02 234	Resistor	10W 33kΩ pitch =32<R2,3>	2	2	2	2			P411126X01	
520	R61 Y02 249	ACCT	DJ-6	1	1	1	1			W639917G01	
521	R61 Y02 300	Fan	109S025UL	1	1	1	1			P712360X01	
522	R61 L85 252	ZNR+C		1	1	1	1			W886345G01	
523	R61 Y05 246	Terminal bed(TB1A)		1	1	1	1			P436151X01	
524	R61 Y07 246	Terminal bed(TB1B,TB8)		2	2	2	2			P436229X01	
525	R61 435 246	Terminal bed(TB3)		1	1	1	1			A73S950H02	
526	R61 979 247	Terminal bed(TB7)		1	1	1	1			P436110X01	
527	R61 Y14 305	Control box(INV)				1	1			W266294G08	
528	R61 Y33 281	Main board				1	1			W266235G26	



