

SERVICE PARTS LIST FOR MITSUBISHI ELECTRIC PACKAGED AIR-CONDITIONERS

Series : PEFY-P•VMS-E

REVISED

July 2009

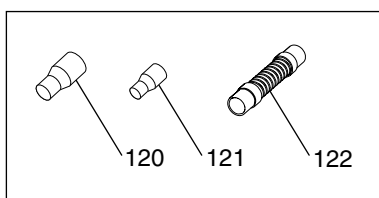
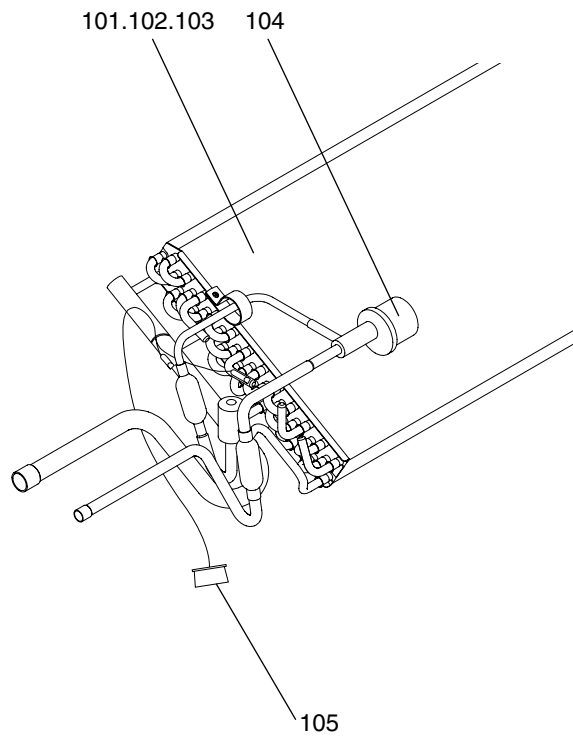
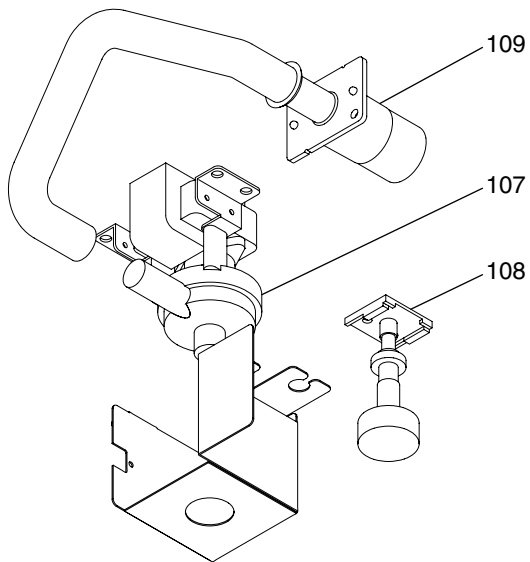
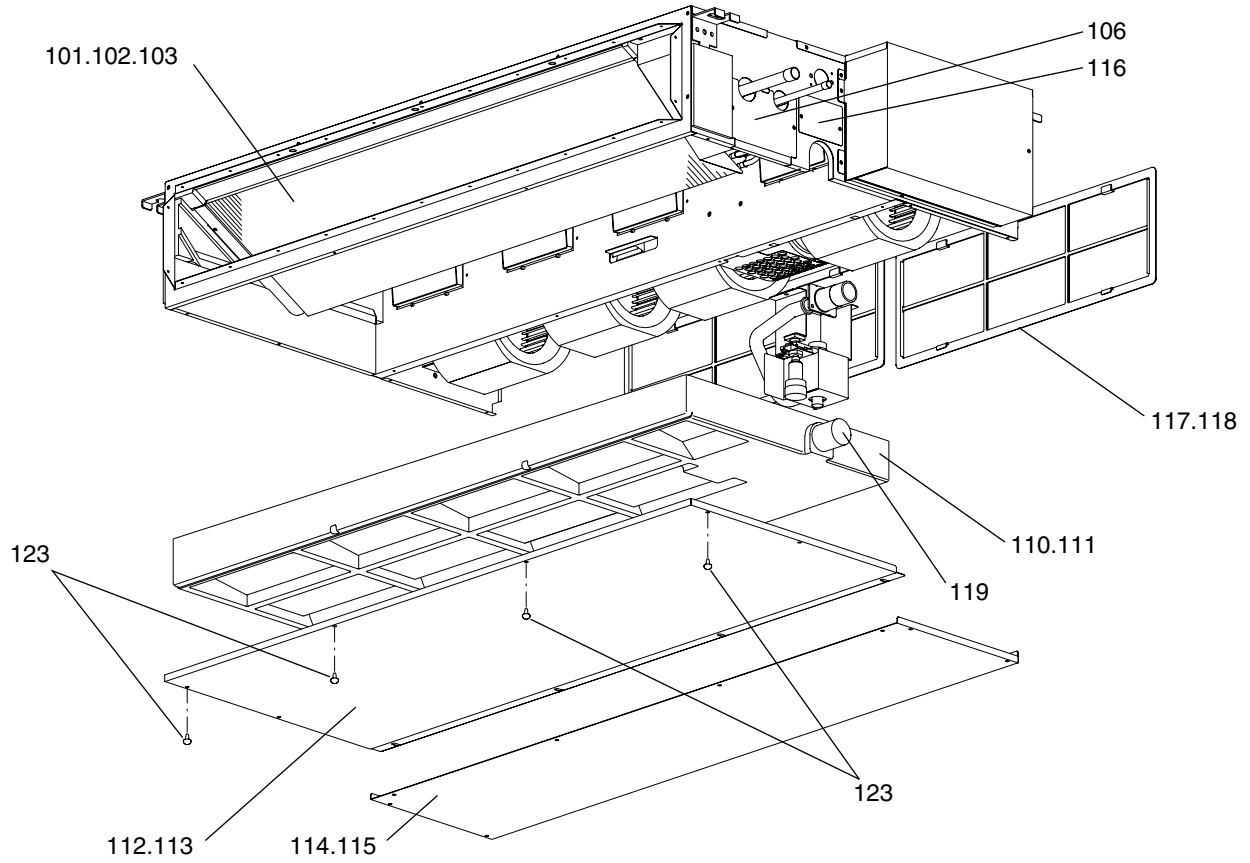
BWE0627A

| INDEX |
|----------------------|
| PEFY-P20VMS-E |
| PEFY-P25VMS-E |
| PEFY-P32VMS-E |
| PEFY-P40VMS-E |
| PEFY-P50VMS-E |
| PEFY-P63VMS-E |



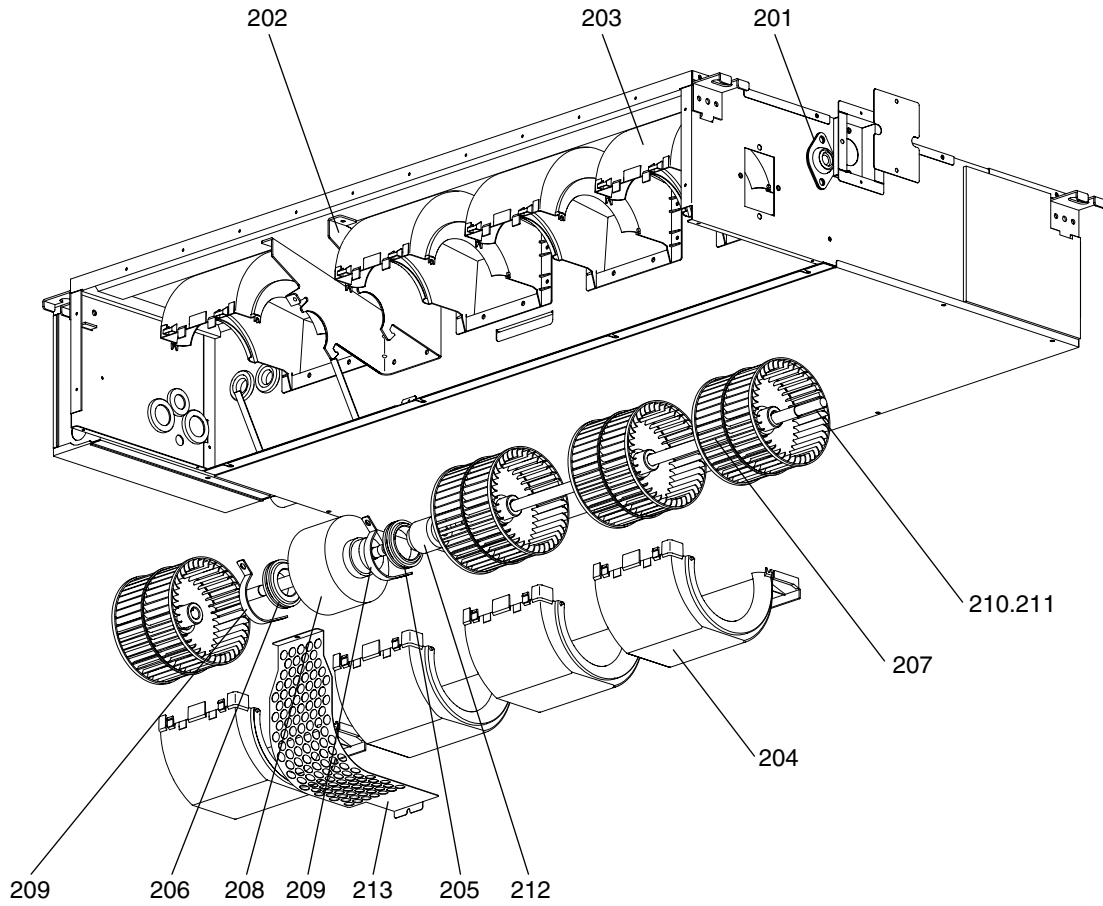
PEFY-P20,P25,P32VMS-E
PEFY-P40,P50,P63VMS-E

EXTERNAL PARTS



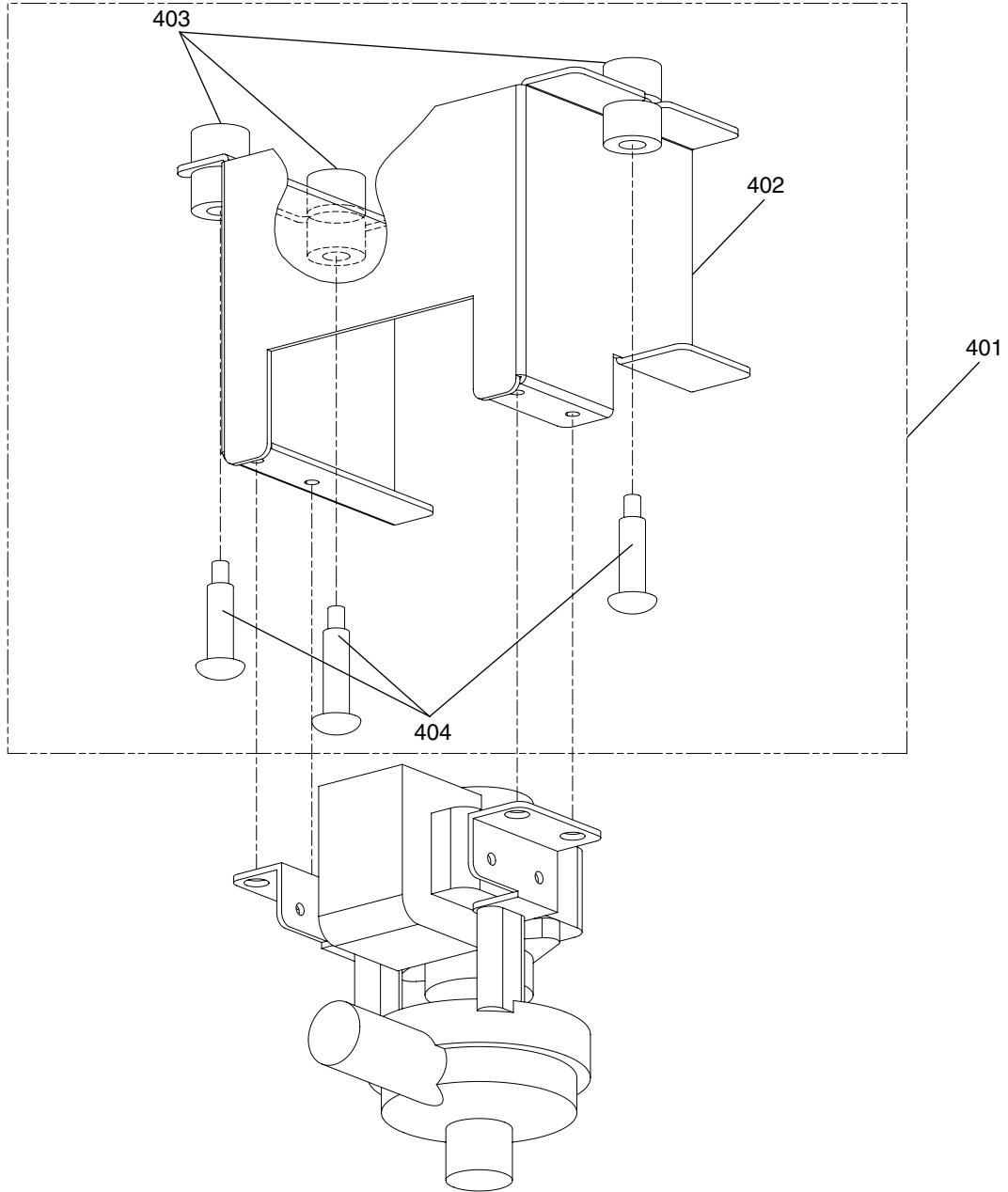
PEFY-P20,P25,P32VMS-E
PEFY-P40,P50,P63VMS-E

BLOWER PARTS



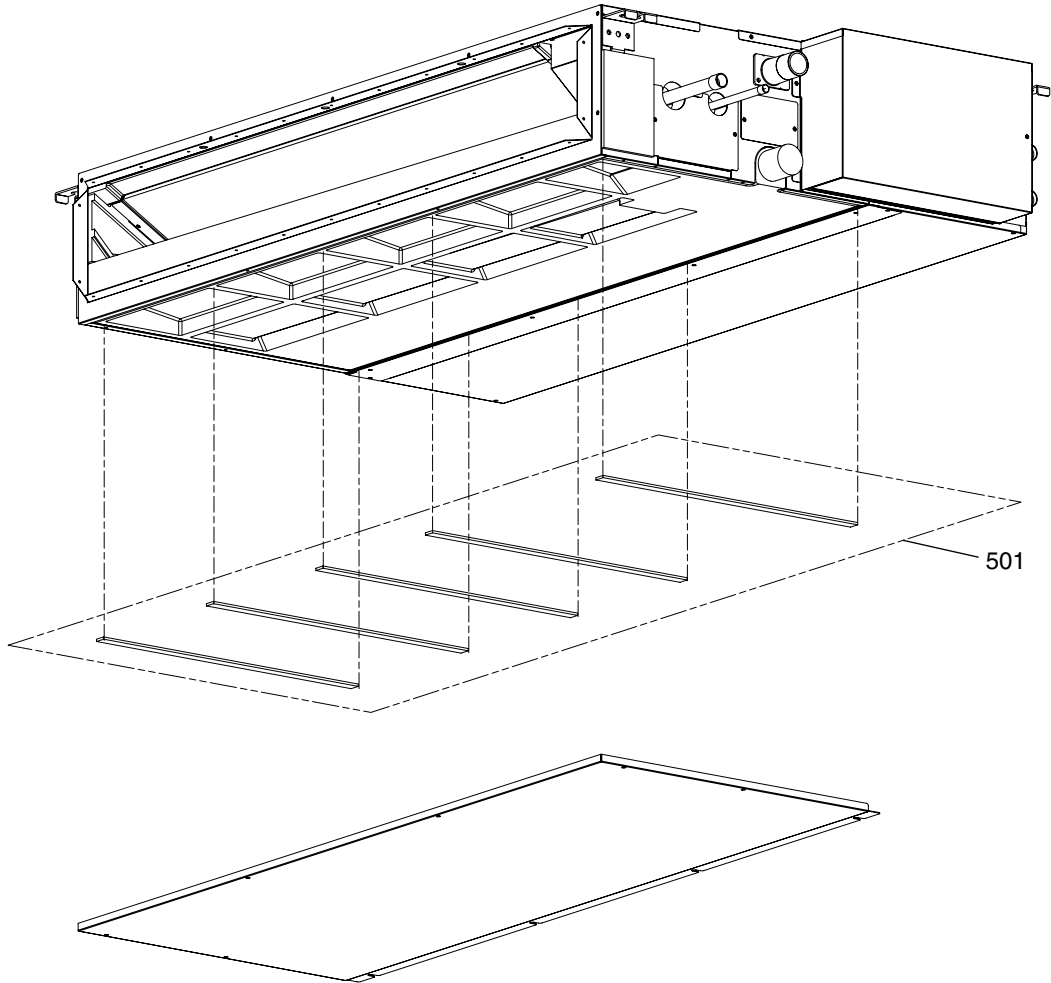
| No. | Part No. | G : RoHS Apply Only W : RoHS Apply by Running Change | | Spec. | | | | | | | Dwg. No. | Price | Revision History | |
|-----|-------------|---|------------------|--------------|---------------|---------------|---------------|---------------|---------------|---------------|----------|-------------|------------------|---|
| | | | Part Name | | PEFY-P20VMS-E | PEFY-P25VMS-E | PEFY-P32VMS-E | PEFY-P40VMS-E | PEFY-P50VMS-E | PEFY-P63VMS-E | | | | |
| 201 | R61 001 102 | G | Bearing | | 1 | 1 | 1 | 1 | 1 | 1 | 1 | KB58C793G01 | | |
| 202 | R61 001 128 | G | Motor base | | 1 | 1 | 1 | 1 | 1 | 1 | 1 | KB02B174H01 | | |
| 203 | R61 001 129 | G | Fan case A | | 3 | 3 | 3 | 3 | 3 | 4 | 4 | KB00C994G01 | | A |
| 204 | R61 002 129 | G | Fan case B | | 3 | 3 | 3 | 3 | 3 | 4 | 4 | KB00C995G01 | | A |
| 205 | R61 001 505 | G | Rubber mount L | ID43 | 1 | 1 | 1 | 1 | 1 | 1 | 1 | KB31D833H01 | | |
| 206 | R61 002 505 | G | Rubber mount R | ID34 | 1 | 1 | 1 | 1 | 1 | 1 | 1 | KB31D833H02 | | |
| 207 | R61 001 114 | G | Sirocco fan assy | | 3 | 3 | 3 | 3 | 3 | 4 | 4 | KB00D850G01 | | |
| 208 | R61 010 220 | G | Motor | SIC-70CW 96W | 1 | 1 | 1 | 1 | 1 | 1 | 1 | P780077X01 | | |
| 209 | R63 652 131 | G | Fixing plate | | 2 | 2 | 2 | 2 | 2 | 2 | 2 | W353715H01 | | |
| 210 | R61 004 100 | G | Shaft P20 | | 1 | 1 | 1 | 1 | 1 | | | KB10C750H02 | | |
| 211 | R61 005 100 | G | Shaft P63 | | | | | | | 1 | | KB10C751H02 | | |
| 212 | R61 001 490 | G | Fan joint | | 1 | 1 | 1 | 1 | 1 | 1 | 1 | BG00R533G09 | | |
| 213 | R61 010 690 | G | Motor cover | | 1 | 1 | 1 | 1 | 1 | 1 | 1 | KB02C821H02 | | A |
| | | | | | | | | | | | | | | |
| | | | | | | | | | | | | | | |
| | | | | | | | | | | | | | | |
| | | | | | | | | | | | | | | |
| | | | | | | | | | | | | | | |

Buffers for vibration noise of drain pumps



| No. | Part No. | G : RoHS Apply Only W : RoHS Apply by Running Change | | Spec. | PEFY-P20VMS-E | PEFY-P25VMS-E | PEFY-P32VMS-E | PEFY-P40VMS-E | PEFY-P50VMS-E | PEFY-P63VMS-E | Dwg. No. | Price | Revision History |
|-----|-------------|---|---------------|-------|---------------|---------------|---------------|---------------|---------------|---------------|-------------|-------|------------------|
| | | | Part Name | | | | | | | | | | |
| 401 | R63 T01 267 | G | Parts set | | 1 | 1 | 1 | 1 | 1 | 1 | KB00T055G01 | | A |
| 402 | R63 T01 268 | G | Attachment | | 1 | 1 | 1 | 1 | 1 | 1 | KB00M769G01 | | A |
| 403 | R61 018 104 | G | Cushion | | 3 | 3 | 3 | 3 | 3 | 3 | DB26F013L01 | | A |
| 404 | R61 002 019 | G | Screw special | M4x6 | 3 | 3 | 3 | 3 | 3 | 3 | Y112J017H05 | | A |
| | | | | | | | | | | | | | |
| | | | | | | | | | | | | | |
| | | | | | | | | | | | | | |
| | | | | | | | | | | | | | |
| | | | | | | | | | | | | | |

Suppressions for squeaking sound of drain pans



| No. | Part No. | G : RoHS Apply Only W : RoHS Apply by Running Change | | Spec. | PEFY-P20VMS-E | PEFY-P25VMS-E | PEFY-P32VMS-E | PEFY-P40VMS-E | PEFY-P50VMS-E | PEFY-P63VMS-E | Dwg. No. | Price | Revision History |
|-----|-------------|---|---------------|-------|---------------|---------------|---------------|---------------|---------------|---------------|-------------|-------|------------------|
| | | | Part Name | | | | | | | | | | |
| 501 | R63 T01 266 | G | Insulator set | | 1 | 1 | 1 | 1 | 1 | 1 | KB00P248G01 | | A |
| | | | | | | | | | | | | | |
| | | | | | | | | | | | | | |
| | | | | | | | | | | | | | |
| | | | | | | | | | | | | | |
| | | | | | | | | | | | | | |
| | | | | | | | | | | | | | |
| | | | | | | | | | | | | | |

