

PARTS CATALOG

Series PFFY Floor Standing R410A

Indoor unit
[Model names]

PFFY-P20VKM-E2

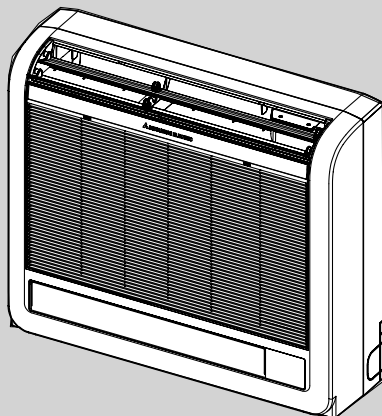
PFFY-P25VKM-E2

PFFY-P32VKM-E2

PFFY-P40VKM-E2

[Service Ref.]
PFFY-P20VKM-E2
PFFY-P25VKM-E2
PFFY-P32VKM-E2
PFFY-P40VKM-E2
NOTE:

- RoHS compliant products have <G> mark on the spec name plate.


 Model name
indication

INDOOR UNIT

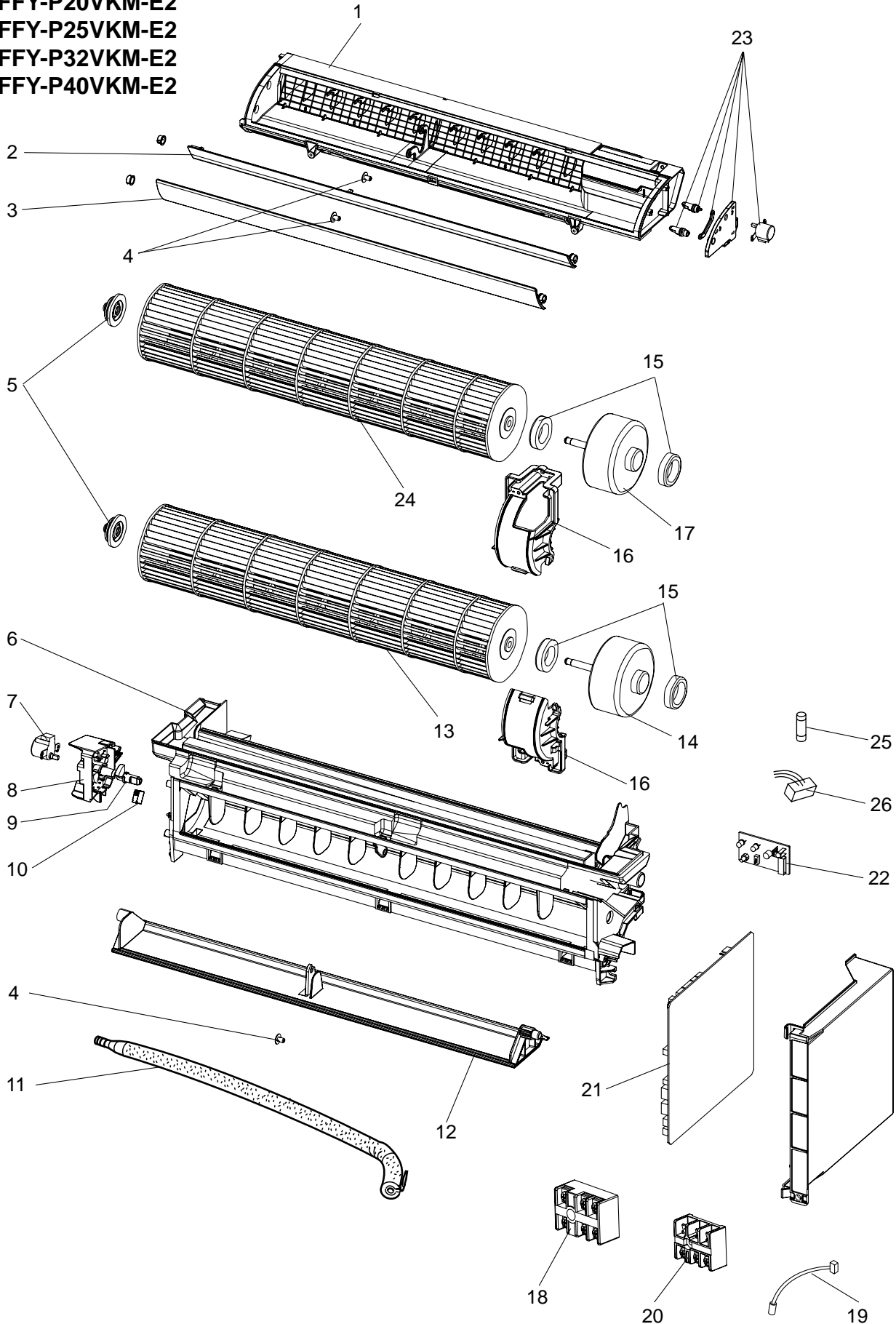
CONTENTS

1. RoHS PARTS LIST 2

SERVICE MANUAL (OCH537)

1-1. INDOOR UNIT ELECTRICAL PARTS AND FUNCTIONAL PARTS

PFFY-P20VKM-E2
 PFFY-P25VKM-E2
 PFFY-P32VKM-E2
 PFFY-P40VKM-E2



RoHS PARTS LIST

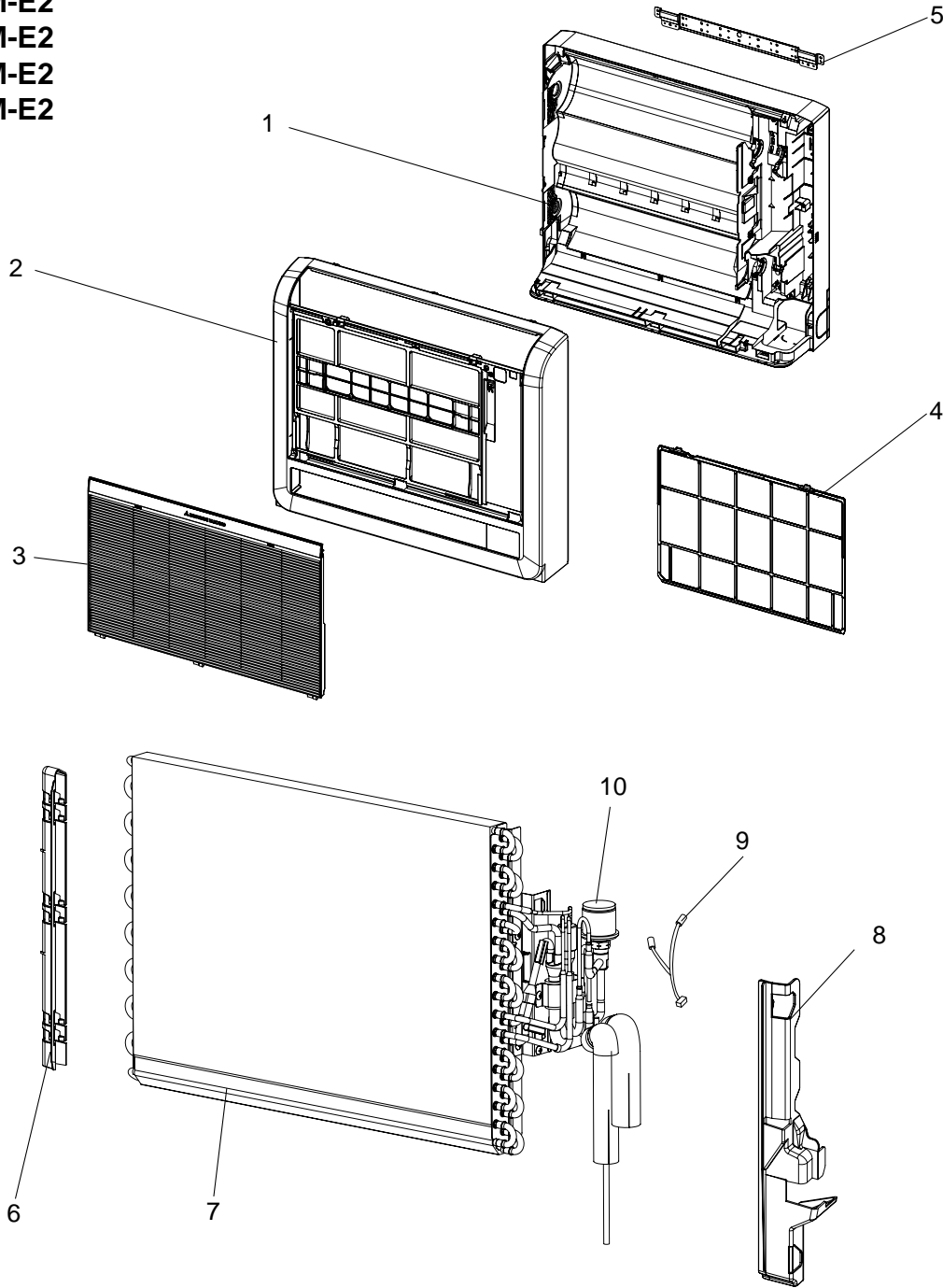
1-1. INDOOR UNIT ELECTRICAL PARTS AND FUNCTIONAL PARTS

| No. | RoHS | Part No. | Part name | Q'ty/unit | | | | Remarks | Symbol in Wiring Diagram |
|-----|------|-------------|-----------------------------|---------------|----|----|----|----------------|--------------------------|
| | | | | PFFY-P-VKM-E2 | | | | | |
| | | | | 20 | 25 | 32 | 40 | | |
| 1 | G | T7W E00 530 | NOZZLE ASSEMBLY (UPPER) | 1 | 1 | 1 | 1 | | |
| 2 | G | T7W E07 002 | HORIZONTAL VANE (UPPER) | 1 | 1 | 1 | 1 | | |
| 3 | G | T7W E06 002 | HORIZONTAL VANE (LOWER) | 1 | 1 | 1 | 1 | | |
| 4 | G | T7W E01 103 | VANE SLEEVE | 3 | 3 | 3 | 3 | | |
| 5 | G | T7W E00 103 | BEARING ASSEMBLY | 2 | 2 | 2 | 2 | | |
| 6 | G | T7W E01 530 | NOZZLE ASSEMBLY (LOWER) | 1 | 1 | 1 | 1 | | |
| 7 | G | T7W E08 223 | VANE MOTOR | 1 | 1 | 1 | 1 | | MV2 |
| 8 | G | T7W E09 130 | VANE MOTOR SUPPORT | 1 | 1 | 1 | 1 | | |
| 9 | G | T7W E00 170 | SM SHAFT | 1 | 1 | 1 | 1 | | |
| 10 | G | T7W E00 272 | LIMIT SWITCH (CLOSE) | 1 | 1 | 1 | 1 | (VANE UNDER) | LS |
| 11 | G | R01 E09 527 | DRAIN HOSE | 1 | 1 | 1 | 1 | | |
| 12 | G | T7W E08 002 | VANE UNDER | 1 | 1 | 1 | 1 | | |
| 13 | G | T7W E04 114 | LINE FLOW FAN (LOWER) | 1 | 1 | 1 | 1 | | |
| 14 | G | T7W E26 762 | INDOOR FAN MOTOR (LOWER) | 1 | 1 | 1 | 1 | | MF2 |
| 15 | G | T7W E00 105 | RUBBER MOUNT (L,R) | 2 | 2 | 2 | 2 | | |
| 16 | G | T7W E08 130 | MOTOR BAND | 2 | 2 | 2 | 2 | | |
| 17 | G | T7W E25 762 | INDOOR FAN MOTOR (UPPER) | 1 | 1 | 1 | 1 | | MF1 |
| 18 | G | R01 E27 246 | TERMINAL BLOCK | 1 | 1 | 1 | 1 | 3P (M1, M2, S) | TB5 |
| 19 | G | R01 H08 202 | ROOM TEMPERATURE THERMISTOR | 1 | 1 | 1 | 1 | | TH21 |
| 20 | G | T7W E37 716 | TERMINAL BLOCK | 1 | 1 | 1 | 1 | 3P (L, N, ⊕) | TB2 |
| 21 | G | T7W C10 310 | INDOOR CONTROLLER BOARD | 1 | 1 | 1 | 1 | | I.B |
| 22 | G | T7W E01 294 | ADDRESS BOARD | 1 | 1 | 1 | 1 | | A.B |
| 23 | G | T7W E07 223 | VANE MOTOR (SET) | 1 | 1 | 1 | 1 | | MV1 |
| 24 | G | T7W E03 114 | LINE FLOW FAN (UPPER) | 1 | 1 | 1 | 1 | | |
| 25 | G | R01 E06 239 | FUSE | 1 | 1 | 1 | 1 | 6.3 A | FUSE |
| 26 | G | T7W E04 304 | ADDRESS CABLE | 1 | 1 | 1 | 1 | | |

RoHS PARTS LIST

1-2. STRUCTURAL PARTS AND INDOOR UNIT HEAT EXCHANGER

PFFY-P20VKM-E2
PFFY-P25VKM-E2
PFFY-P32VKM-E2
PFFY-P40VKM-E2



| No. | RoHS | Part No. | Part name | Q'ty/unit | | | | Remarks | Symbol in Wiring Diagram |
|-----|------|-------------|-----------------------------|---------------|----|----|----|---------|--------------------------|
| | | | | PFFY-P-VKM-E2 | | | | | |
| | | | | 20 | 25 | 32 | 40 | | |
| 1 | G | T7W E01 635 | BOX | 1 | 1 | 1 | 1 | | |
| 2 | G | T7W E06 651 | PANEL ASSEMBLY | 1 | 1 | 1 | 1 | | |
| 3 | G | T7W E05 691 | FRONT PANEL | 1 | 1 | 1 | 1 | | |
| 4 | G | T7W E01 500 | CATECHIN AIR FILTER | 1 | 1 | 1 | 1 | | |
| 5 | G | T7W E01 808 | BACK PLATE | 1 | 1 | 1 | 1 | | |
| 6 | G | T7W E00 031 | HAIR PIN COVER | 1 | 1 | 1 | 1 | | |
| 7 | G | T7W H56 480 | INDOOR HEAT EXCHANGER | 1 | 1 | 1 | 1 | | |
| 8 | G | T7W E01 031 | WATER COVER | 1 | 1 | 1 | 1 | | |
| 9 | G | T7W E16 202 | PIPE TEMPERATURE THERMISTOR | 1 | 1 | 1 | 1 | | |
| 10 | G | R01 H23 401 | LINEAR EXPANSION VALVE | 1 | 1 | 1 | 1 | | LEV |

CITY MULTI™

mitsubishi electric corporation

HEAD OFFICE : TOKYO BLDG., 2-7-3, MARUNOUCHI, CHIYODA-KU, TOKYO 100-8310, JAPAN