

SERVICE PARTS LIST FOR MITSUBISHI ELECTRIC PACKAGED AIR-CONDITIONERS

Series : CMB

REVISED

June 2008

BWE0414D

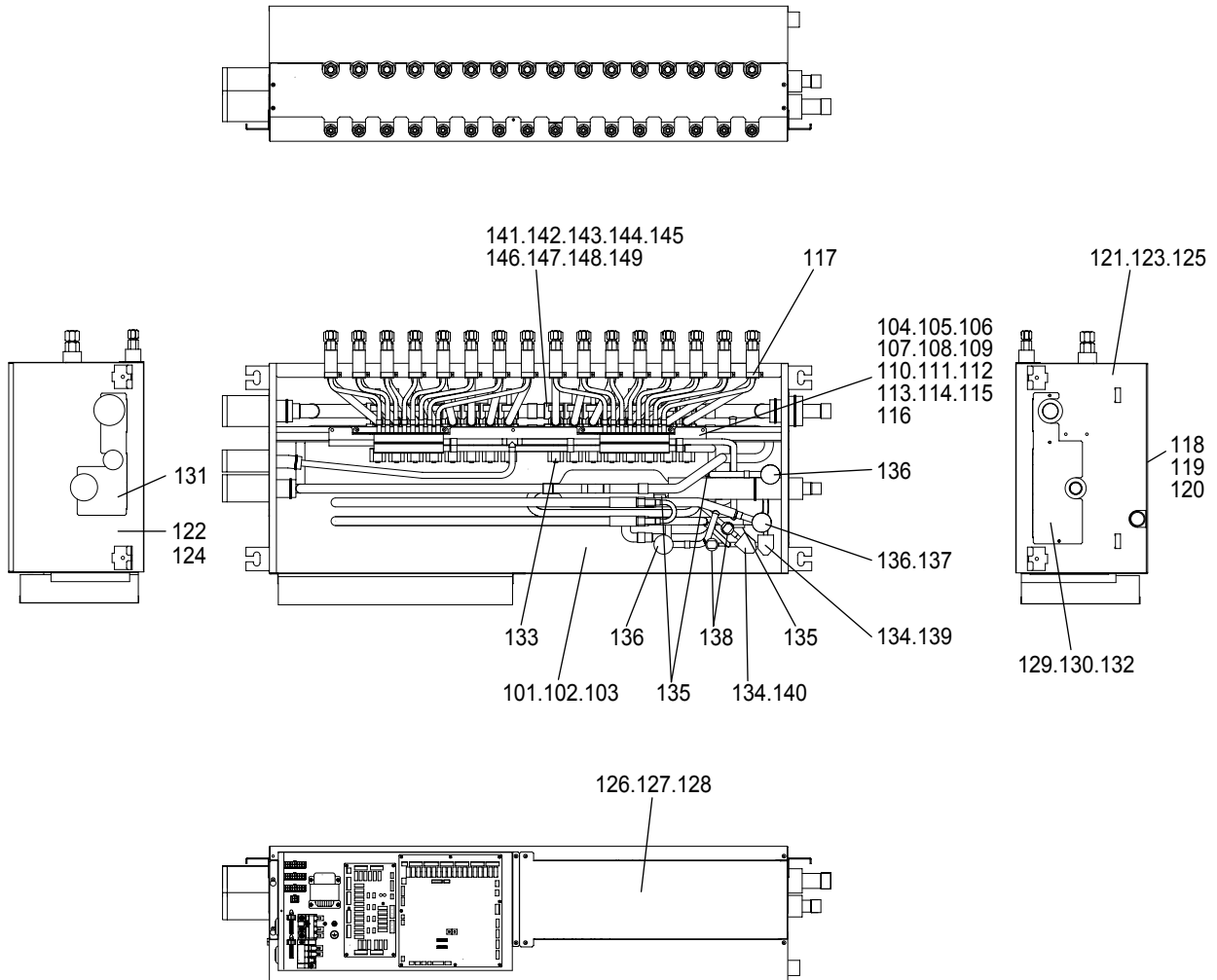
INDEX

**CMB-P104V-G
CMB-P105V-G
CMB-P106V-G
CMB-P108V-G
CMB-P1010V-G
CMB-P1013V-G
CMB-P1016V-G
CMB-P108V-GA
CMB-P1010V-GA
CMB-P1013V-GA
CMB-P1016V-GA
CMB-P104V-GB
CMB-P108V-GB**



CMB-P104,105,106,108,1010,1013,1016V-G
 CMB-P108,1010,1013,1016V-GA
 CMB-P104,108V-GB

EXTERNAL PARTS
 FUNCTIONAL PARTS



No.	Part No.	RoHS Compliant : G		Spec.	CMB-P104V-G	CMB-P105V-G	CMB-P106V-G	CMB-P108V-G	Dwg. No.	Price	Revision History
			Part Name								
101	R63 H35 529	G	Drain pan		1	1	1	1	W256135G32		D
102	R63 M82 529	G	Drain pan						W256135G33		D
103	R63 M84 529	G	Drain pan						W122290G44		D
104	R61 001 125	G	Beam assy 4		1				KB00L864G01		D
105	R61 002 125	G	Beam assy 5			1			KB00L864G02		D
106	R61 003 125	G	Beam assy 6				1		KB00L864G03		D
107	R61 004 125	G	Beam assy 8				1		KB00L864G04		D
108	R61 005 125	G	Beam assy 10						KB00L864G05		D
109	R61 006 125	G	Beam assy 13						KB00L865G01		D
110	R61 007 125	G	Beam assy 16						KB00L865G02		D

CMB-P104,105,106,108,1010,1013,1016V-G
 CMB-P108,1010,1013,1016V-GA
 CMB-P104,108V-GB

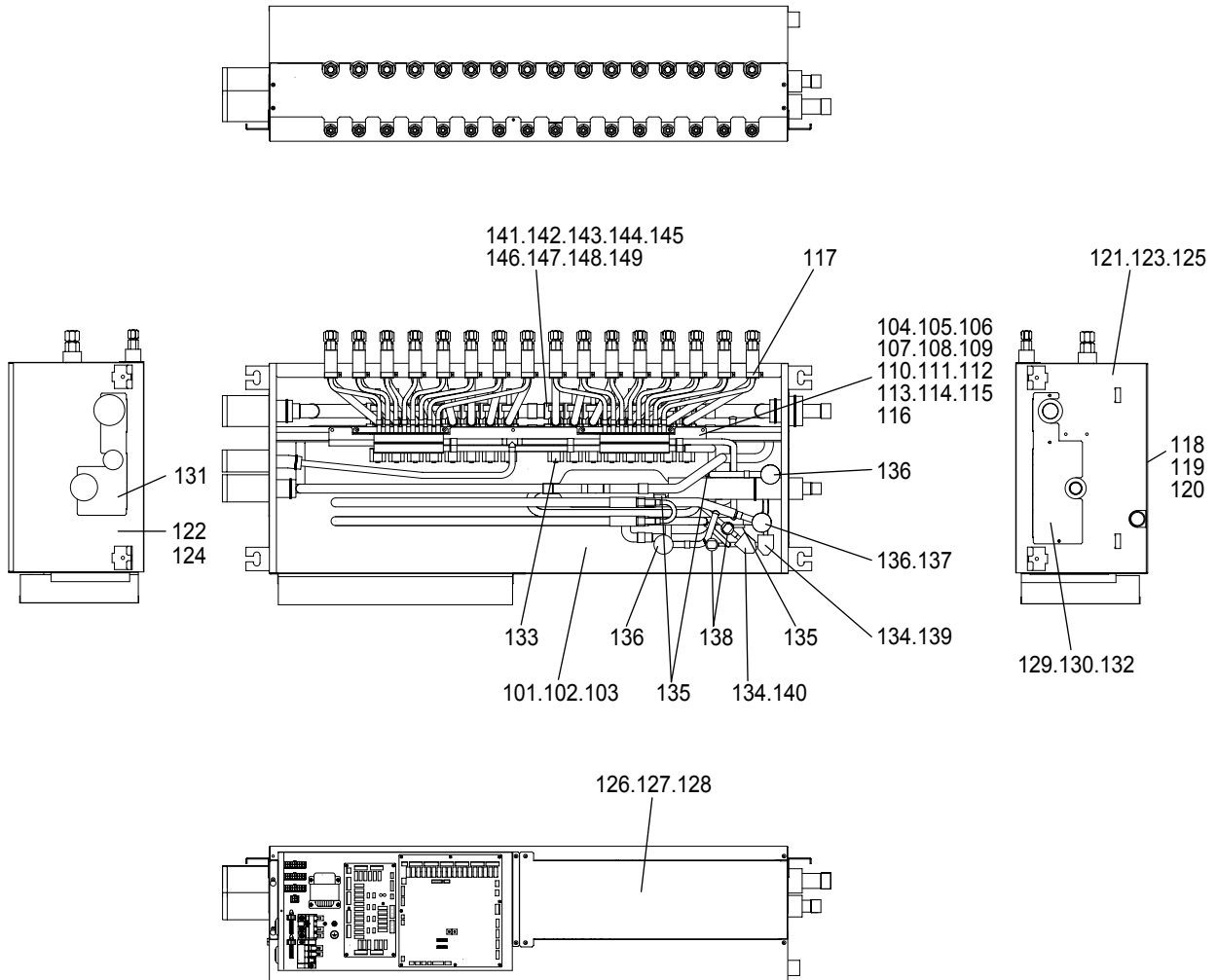
EXTERNAL PARTS
 FUNCTIONAL PARTS

No.	Part No.	RoHS Compliant : G		Spec.	CMB-P104V-G	CMB-P105V-G	CMB-P106V-G	CMB-P108V-G	Dwg. No.	Price	Revision History
			Part Name								
111	R61 008 125	G	Beam assy 8FA						KB00L866G01		D
112	R61 009 125	G	Beam assy 10FA						KB00L866G02		D
113	R61 010 125	G	Beam assy 13FA						KB00L866G03		D
114	R61 011 125	G	Beam assy 16FA						KB00L866G04		D
115	R61 012 125	G	Beam assy 4						KB00L862G01		D
116	R61 013 125	G	Beam assy 8						KB00L862G04		D
117	R63 H35 306	G	Fixture		4	5	6	8	W875562H01		
118	R63 M77 653	G	Panel U F104		1	1	1	1	W646945H01		
119	R63 M82 653	G	Panel U F1013						W646945H02		
120	R63 M84 653	G	Panel U FA108						W646945H03		
121	R63 M77 662	G	Panel SL		1	1	1	1	W646947H03		
122	R63 M77 661	G	Panel SR		1	1	1	1	W646937H03		
123	R63 M80 662	G	Panel SL						W646935H02		
124	R63 M80 661	G	Panel SR						W646934H02		
125	R63 M88 662	G	Panel SL						W646936H03		
126	R63 M77 690	G	Cover B F104		1	1	1	1	W893271H06		
127	R63 M82 690	G	Cover B F1013						W893271H07		
128	R63 M84 690	G	Cover B FA108						W893271H08		
129	R63 M77 667	G	Cover L		1	1	1	1	W893273H01		
130	R63 M84 667	G	Cover L						W893268H01		
131	R63 M84 668	G	Cover R						W893269H01		
132	R63 M88 668	G	Cover FB						W893270H01		
133	R63 Y14 243	G	Solenoid valve coil		12	15	18	24	P472009X01		
134	R63 Y22 243	G	Solenoid valve coil set		1	1	1	1	W914088G01		
135	R63 670 202	G	Thermistor		4	4	4	4	P425496X01		
136	R61 008 401	G	Linear expansion valve	EFMA YGMD	2	2	2	2	P632458X01		D
137	R61 009 401	G	Linear expansion valve	EFM4 YGMD					P632457X01		D
138	R63 R34 288	G	Pressure sensor		2	2	2	2	P418015X01		
139	R63 K32 232	G	Solenoid valve set						P631242X01		
140	R63 Y02 232	G	Solenoid valve set		1	1	1	1	P631243X01		
141			Solenoid valve	BSR24K	1						
142			Solenoid valve	BSR25K		1					
143			Solenoid valve	BSR26K			1				
144			Solenoid valve	BSR28K				1			
145			Solenoid valve	BSR210K							
146			Solenoid valve	BSR28KB							
147			Solenoid valve	BSR210KA							
148			Solenoid valve	BSR25KA							
149			Solenoid valve	BSR28KA							

<Note> The number 141~149 do not set service parts.
 Because, the quality securing of them when exchanging parts is difficult.

CMB-P104,105,106,108,1010,1013,1016V-G
 CMB-P108,1010,1013,1016V-GA
 CMB-P104,108V-GB

EXTERNAL PARTS
 FUNCTIONAL PARTS



No.	Part No.	RoHS Compliant : G		Spec.	CMB-P1010V-G	CMB-P1013V-G	CMB-P1016V-G	Dwg. No.	Price	Revision History
			Part Name							
101	R63 H35 529	G	Drain pan		1			W256135G32		D
102	R63 M82 529	G	Drain pan			1	1	W256135G33		D
103	R63 M84 529	G	Drain pan					W122290G44		D
104	R61 001 125	G	Beam assy 4					KB00L864G01		D
105	R61 002 125	G	Beam assy 5					KB00L864G02		D
106	R61 003 125	G	Beam assy 6					KB00L864G03		D
107	R61 004 125	G	Beam assy 8					KB00L864G04		D
108	R61 005 125	G	Beam assy 10		1			KB00L864G05		D
109	R61 006 125	G	Beam assy 13			1		KB00L865G01		D
110	R61 007 125	G	Beam assy 16				1	KB00L865G02		D

CMB-P104,105,106,108,1010,1013,1016V-G
 CMB-P108,1010,1013,1016V-GA
 CMB-P104,108V-GB

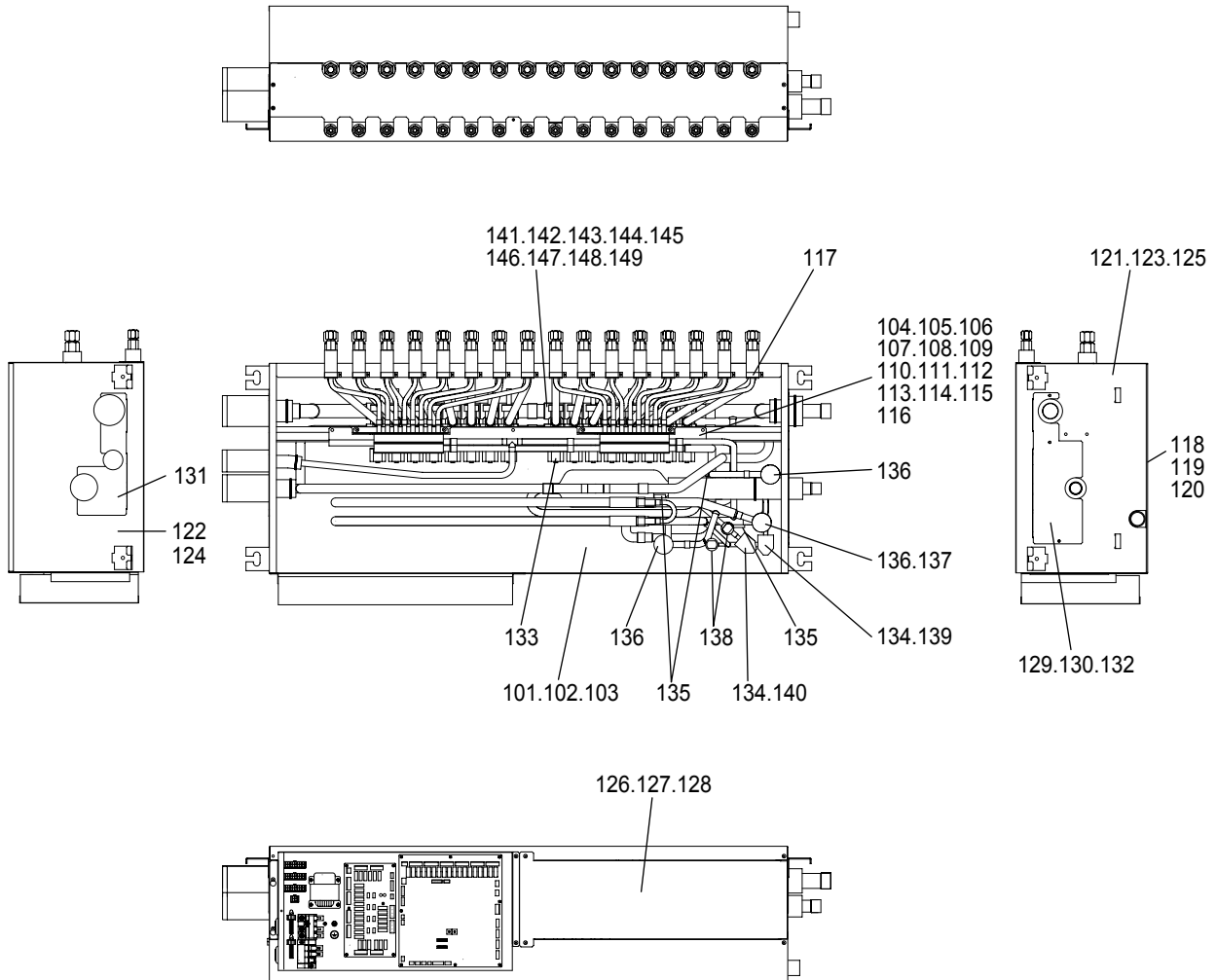
EXTERNAL PARTS
 FUNCTIONAL PARTS

No.	Part No.	RoHS Compliant : G		Spec.	CMB-P1010V-G	CMB-P1013V-G	CMB-P1016V-G	Dwg. No.	Price	Revision History
			Part Name							
111	R61 008 125	G	Beam assy 8FA					KB00L866G01		D
112	R61 009 125	G	Beam assy 10FA					KB00L866G02		D
113	R61 010 125	G	Beam assy 13FA					KB00L866G03		D
114	R61 011 125	G	Beam assy 16FA					KB00L866G04		D
115	R61 012 125	G	Beam assy 4					KB00L862G01		D
116	R61 013 125	G	Beam assy 8					KB00L862G04		D
117	R63 H35 306	G	Fixture		10	13	16	W875562H01		
118	R63 M77 653	G	Panel U F104		1			W646945H01		
119	R63 M82 653	G	Panel U F1013			1	1	W646945H02		
120	R63 M84 653	G	Panel U FA108					W646945H03		
121	R63 M77 662	G	Panel SL		1	1	1	W646947H03		
122	R63 M77 661	G	Panel SR		1	1	1	W646937H03		
123	R63 M80 662	G	Panel SL					W646935H02		
124	R63 M80 661	G	Panel SR					W646934H02		
125	R63 M88 662	G	Panel SL					W646936H03		
126	R63 M77 690	G	Cover B F104		1			W893271H06		
127	R63 M82 690	G	Cover B F1013			1	1	W893271H07		
128	R63 M84 690	G	Cover B FA108					W893271H08		
129	R63 M77 667	G	Cover L		1	1	1	W893273H01		
130	R63 M84 667	G	Cover L					W893268H01		
131	R63 M84 668	G	Cover R					W893269H01		
132	R63 M88 668	G	Cover FB					W893270H01		
133	R63 Y14 243	G	Solenoid valve coil		30	39	48	P472009X01		
134	R63 Y22 243	G	Solenoid valve coil set		1	1	1	W914088G01		
135	R63 670 202	G	Thermistor		4	4	4	P425496X01		
136	R61 008 401	G	Linear expansion valve	EFMA YGMD	2	2	2	P632458X01		D
137	R61 009 401	G	Linear expansion valve	EFM4 YGMD				P632457X01		D
138	R63 R34 288	G	Pressure sensor		2	2	2	P418015X01		
139	R63 K32 232	G	Solenoid valve set					P631242X01		
140	R63 Y02 232	G	Solenoid valve set		1	1	1	P631243X01		
141			Solenoid valve	BSR24K						
142			Solenoid valve	BSR25K		1				
143			Solenoid valve	BSR26K						
144			Solenoid valve	BSR28K			1			
145			Solenoid valve	BSR210K	1					
146			Solenoid valve	BSR28KB		1	1			
147			Solenoid valve	BSR210KA						
148			Solenoid valve	BSR25KA						
149			Solenoid valve	BSR28KA						

<Note> The number 141~149 do not set service parts.
 Because, the quality securing of them when exchanging parts is difficult.

CMB-P104,105,106,108,1010,1013,1016V-G
 CMB-P108,1010,1013,1016V-GA
 CMB-P104,108V-GB

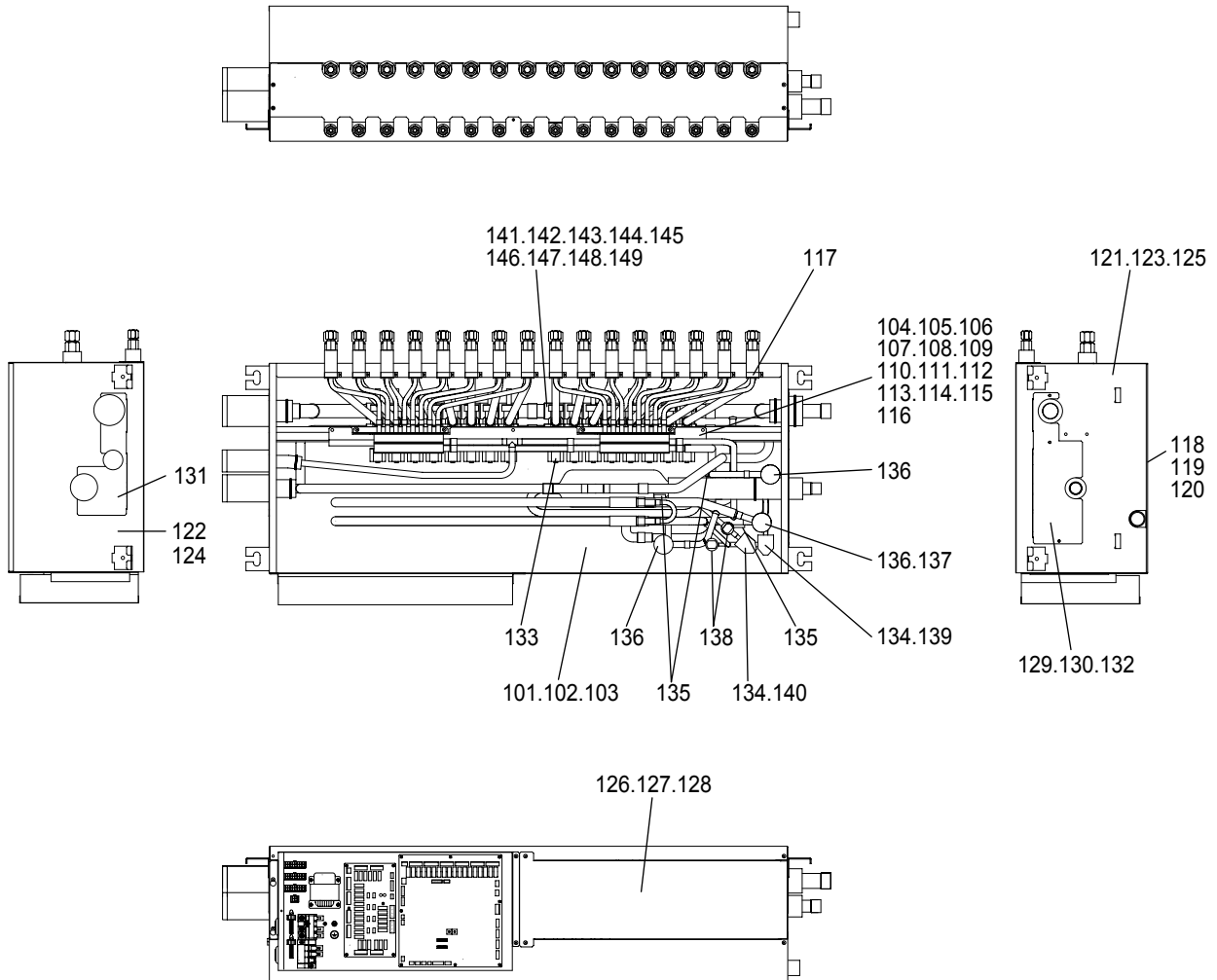
EXTERNAL PARTS
 FUNCTIONAL PARTS



No.	Part No.	RoHS Compliant : G		Spec.	CMB-P108V-GA	CMB-P1010V-GA	CMB-P1013V-GA	CMB-P1016V-GA	Dwg. No.	Price	Revision History
			Part Name								
101	R63 H35 529	G	Drain pan						W256135G32		D
102	R63 M82 529	G	Drain pan						W256135G33		D
103	R63 M84 529	G	Drain pan		1	1	1	1	W122290G44		D
104	R61 001 125	G	Beam assy 4						KB00L864G01		D
105	R61 002 125	G	Beam assy 5						KB00L864G02		D
106	R61 003 125	G	Beam assy 6						KB00L864G03		D
107	R61 004 125	G	Beam assy 8						KB00L864G04		D
108	R61 005 125	G	Beam assy 10						KB00L864G05		D
109	R61 006 125	G	Beam assy 13						KB00L865G01		D
110	R61 007 125	G	Beam assy 16						KB00L865G02		D

CMB-P104,105,106,108,1010,1013,1016V-G
 CMB-P108,1010,1013,1016V-GA
 CMB-P104,108V-GB

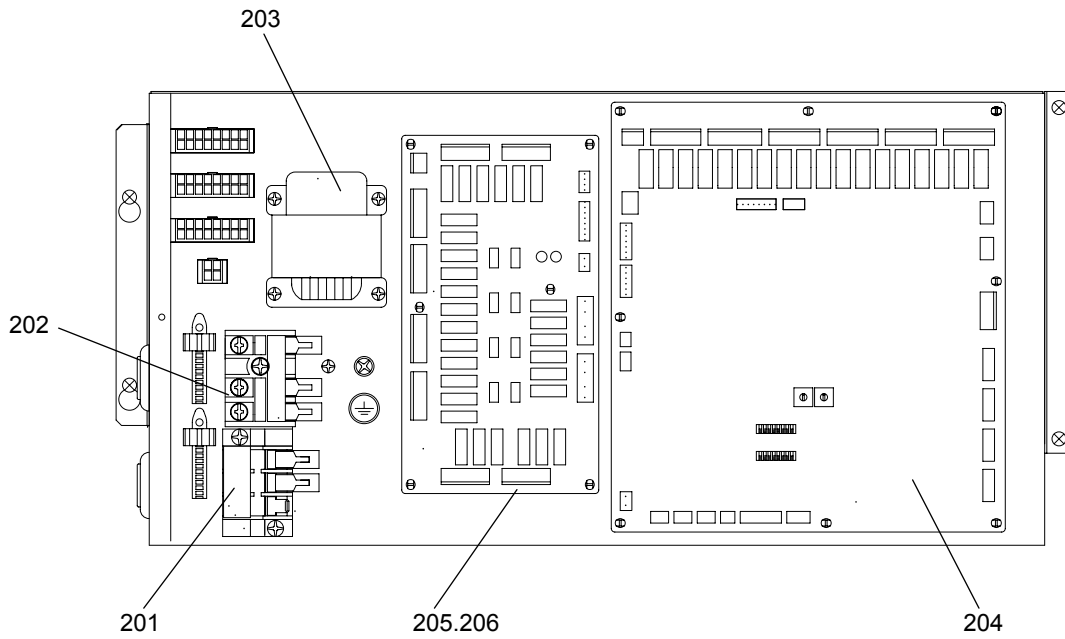
EXTERNAL PARTS
 FUNCTIONAL PARTS



No.	Part No.	RoHS Compliant : G		Spec.	CMB-P104V-GB	CMB-P108V-GB	Dwg. No.	Price	Revision History
			Part Name						
101	R63 H35 529	G	Drain pan		1	1	W256135G32		D
102	R63 M82 529	G	Drain pan				W256135G33		D
103	R63 M84 529	G	Drain pan				W122290G44		D
104	R61 001 125	G	Beam assy 4				KB00L864G01		D
105	R61 002 125	G	Beam assy 5				KB00L864G02		D
106	R61 003 125	G	Beam assy 6				KB00L864G03		D
107	R61 004 125	G	Beam assy 8				KB00L864G04		D
108	R61 005 125	G	Beam assy 10				KB00L864G05		D
109	R61 006 125	G	Beam assy 13				KB00L865G01		D
110	R61 007 125	G	Beam assy 16				KB00L865G02		D

CMB-P104,105,106,108,1010,1013,1016V-G
 CMB-P108,1010,1013,1016V-GA
 CMB-P104,108V-GB

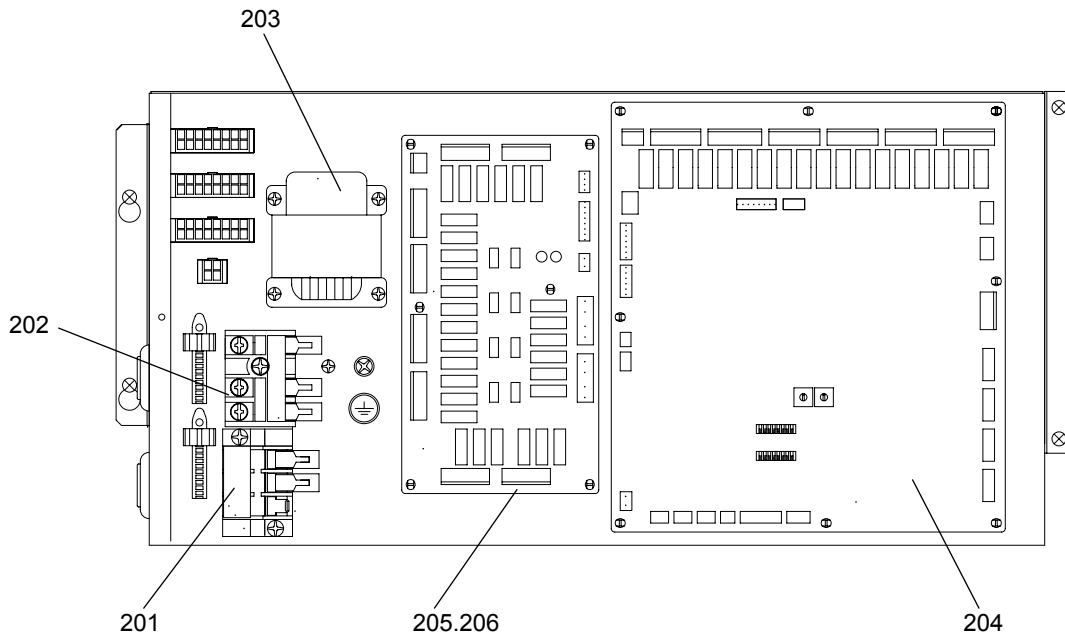
CONTROL BOX PARTS



No.	Part No.	RoHS Compliant : G		Spec.	CMB-P104V-G	CMB-P105V-G	CMB-P106V-G	CMB-P108V-G	Dwg. No.	Price	Revision History
			Part Name								
201	R63 Y02 715	G	Terminal block		1	1	1	1	W834188H02		
202	R63 979 247	G	Terminal block		1	1	1	1	P436110X01		
203	R63 Y20 260	G	Transformer		1	1	1	1	P715859X02		
204	R63 Y22 321	G	Board assy	CMB	1	1	1	1	W266227G06		
205	R63 M80 280	G	Board assy	RELAY4-10				1	W629542G01		D
206	R63 M82 280	G	Board assy	RELAY10-16					W629543G01		D

CMB-P104,105,106,108,1010,1013,1016V-G
 CMB-P108,1010,1013,1016V-GA
 CMB-P104,108V-GB

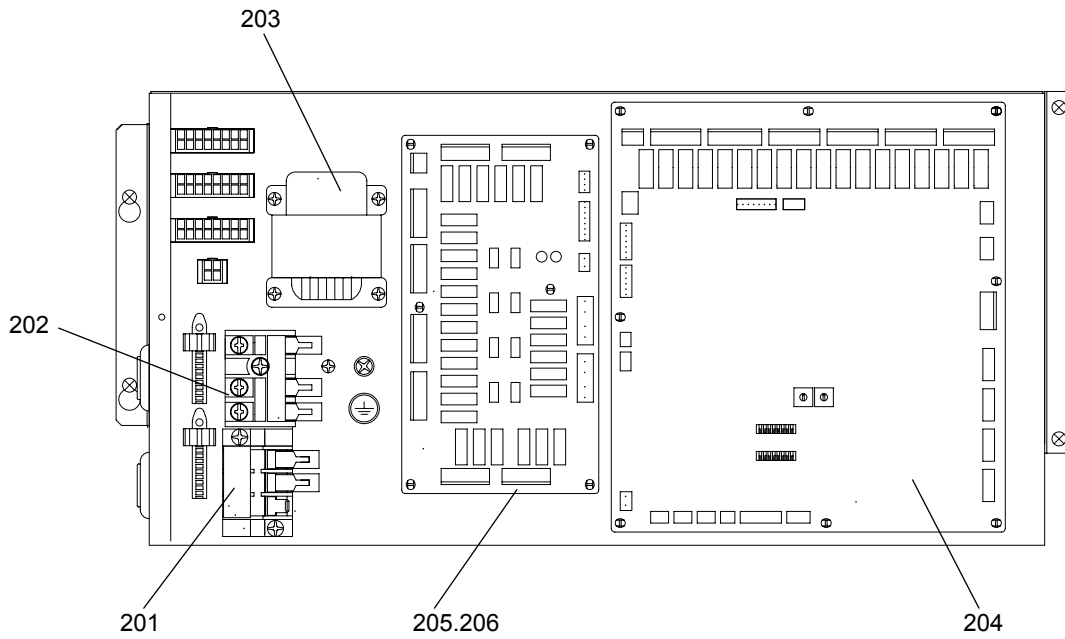
CONTROL BOX PARTS



No.	Part No.	RoHS Compliant : G		Spec.	CMB-P1010V-G	CMB-P1013V-G	CMB-P1016V-G	Dwg. No.	Price	Revision History
			Part Name							
201	R63 Y02 715	G	Terminal block		1	1	1	W834188H02		
202	R63 979 247	G	Terminal block		1	1	1	P436110X01		
203	R63 Y20 260	G	Transformer		1	1	1	P715859X02		
204	R63 Y22 321	G	Board assy	CMB	1	1	1	W266227G06		
205	R63 M80 280	G	Board assy	RELAY4-10	1			W629542G01		D
206	R63 M82 280	G	Board assy	RELAY10-16		1	1	W629543G01		D

CMB-P104,105,106,108,1010,1013,1016V-G
 CMB-P108,1010,1013,1016V-GA
 CMB-P104,108V-GB

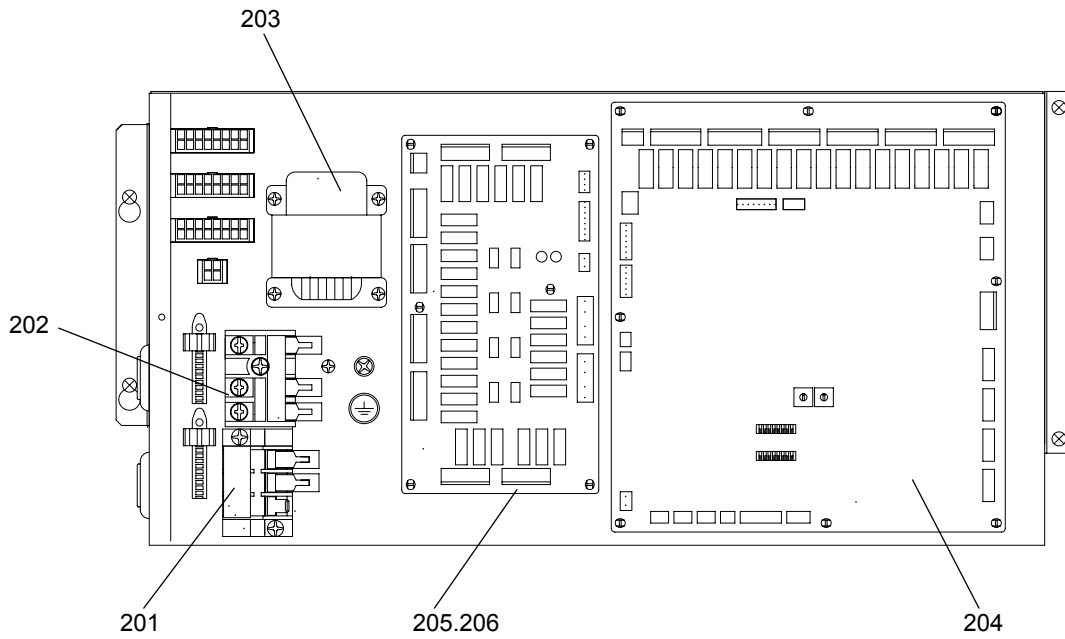
CONTROL BOX PARTS



No.	Part No.	RoHS Compliant : G		Spec.	CMB-P108V-GA	CMB-P1010V-GA	CMB-P1013V-GA	CMB-P1016V-GA	Dwg. No.	Price	Revision History
			Part Name								
201	R63 Y02 715	G	Terminal block		1	1	1	1	W834188H02		
202	R63 979 247	G	Terminal block		1	1	1	1	P436110X01		
203	R63 Y20 260	G	Transformer		1	1	1	1	P715859X02		
204	R63 Y22 321	G	Board assy	CMB	1	1	1	1	W266227G06		
205	R63 M80 280	G	Board assy	RELAY4-10	1	1			W629542G01		D
206	R63 M82 280	G	Board assy	RELAY10-16			1	1	W629543G01		D

CMB-P104,105,106,108,1010,1013,1016V-G
 CMB-P108,1010,1013,1016V-GA
 CMB-P104,108V-GB

CONTROL BOX PARTS



No.	Part No.	RoHS Compliant : G		Spec.	CMB-P104V-GB	CMB-P108V-GB	Dwg. No.	Price	Revision History
			Part Name						
201	R63 Y02 715	G	Terminal block		1	1	W834188H02		
202	R63 979 247	G	Terminal block		1	1	P436110X01		
203	R63 Y20 260	G	Transformer		1	1	P715859X02		
204	R63 Y22 321	G	Board assy	CMB	1	1	W266227G06		
205	R63 M80 280	G	Board assy	RELAY4-10		1	W629542G01		D
206	R63 M82 280	G	Board assy	RELAY10-16			W629543G01		D

