



**mitsubishi
electric**

SPLIT-TYPE, HEAT PUMP AIR CONDITIONERS

Changes for the Better

March 2006

No. OC376
Parts list only.



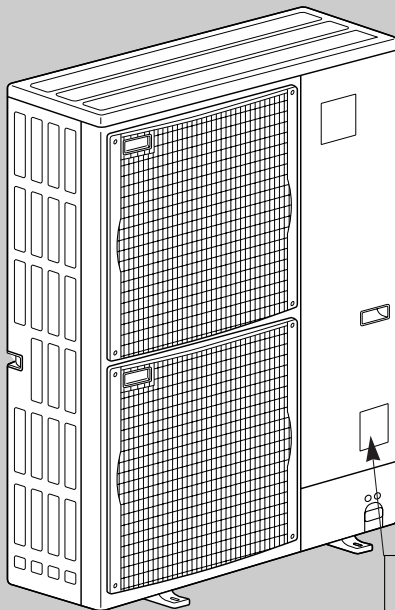
TECHNICAL & SERVICE MANUAL

[Model name]

[Service Ref.]

<Outdoor unit>
PUMY-P125VHM

PUMY-P125VHM



OUTDOOR UNIT

Model name
indication

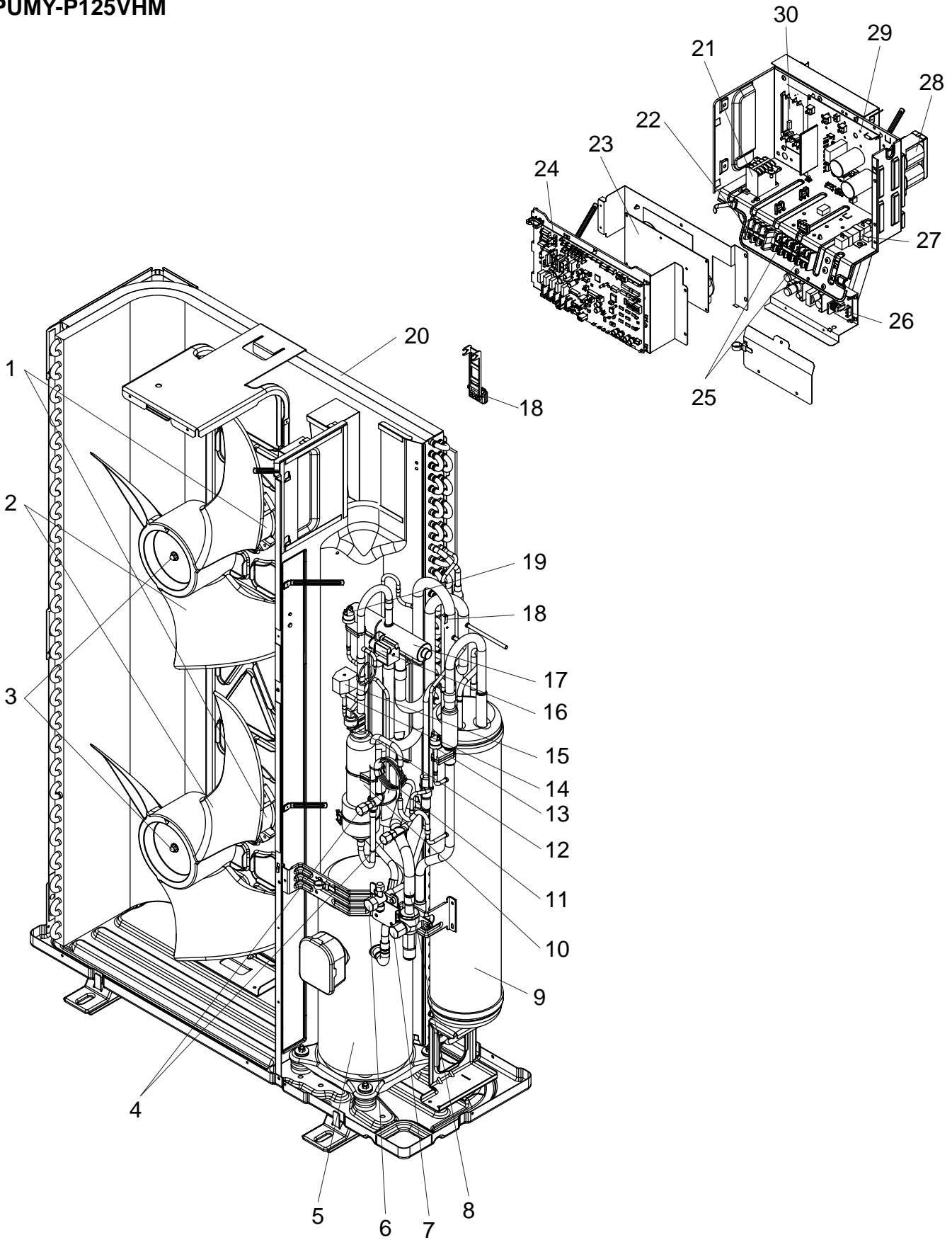
CONTENTS

1. PARTS LIST	2
---------------------	---

NOTE :

- This service manual describes technical data of outdoor unit.
- As for indoor units, refer to its service manual.

**1-1. FUNCTIONAL PARTS
PUMY-P125VHM**

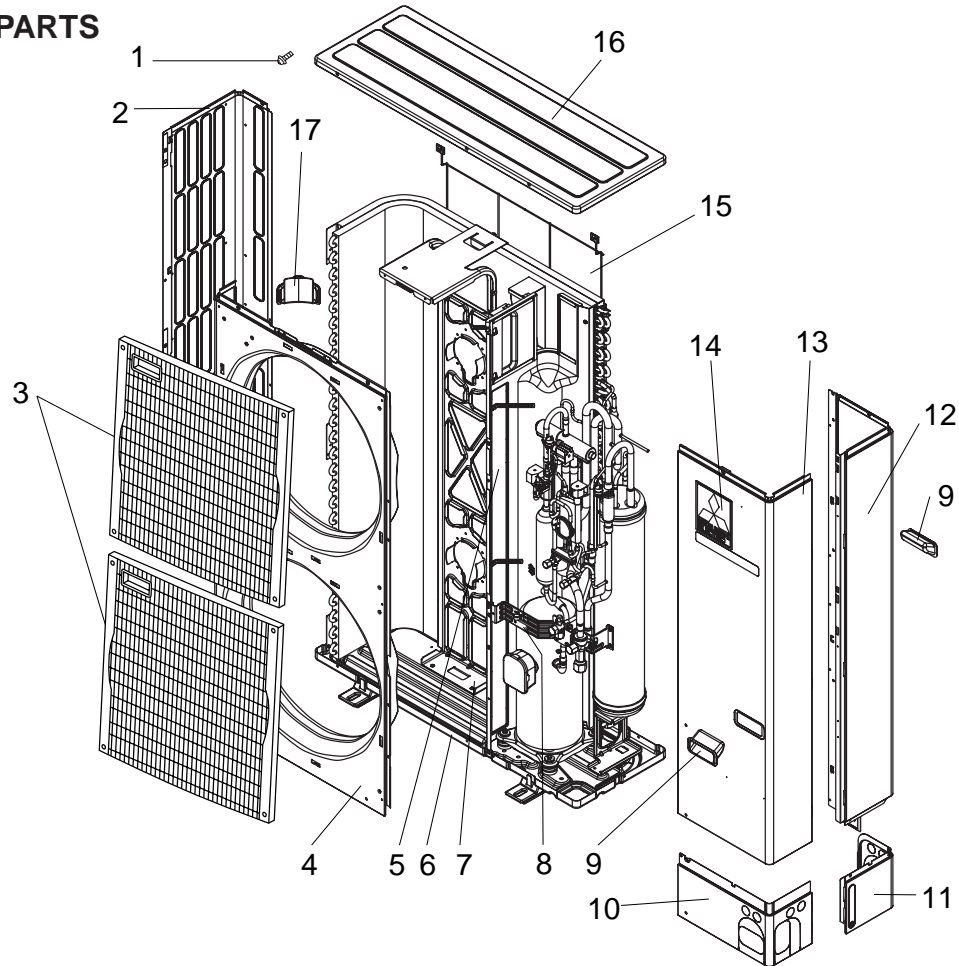




Part numbers that are circled are not shown in the figure.

No.	Part No.	Part Name	Specification	Q'ty/set	Remarks (Drawing No.)	Wiring Diagram Symbol	Recom- mended Q'ty	Price	
				PUMY-P125VHM				Unit	Amount
1	R01 E44 221	FAN MOTOR		2		MF1,2			
2	R01 E01 115	PROPELLER FAN		2					
3	R01 E02 097	NUT		2					
4	R01 E06 413	CHARGE PLUG		2					
5	T97 410 742	COMPRESSOR	ANB33FDCMT Including RUBBER MOUNT	1		MC			
6	R01 E09 410	STOP VALVE	3/8	1					
7	R01 E09 411	BALL VALVE	5/8	1					
8	R01 E03 450	STRAINER		1					
9	R01 E35 440	ACCUMULATOR		1					
10	R01 E09 490	OIL SEPARATOR		1					
11	R01 E22 425	CAPILLARY TUBE		1	$\phi 2.5 \times \phi 0.8 \times 1000\text{mm}$				
12	T7W E04 208	H.P SENSOR		1		63HS			
13	R01 25T 209	LOW PRESSURE SWITCH		1		63L			
14	R01 E09 428	BYPASS VALVE		1					
15	T7W E08 242	SOLENOID VALVE COIL <BYPASS VALVE>		1		SV1			
16	T7W E25 242	SOLENOID COIL <FOUR-WAY VALVE>		1		21S4			
17	R01 E26 403	FOUR-WAY VALVE		1					
18	R01 E75 202	THERMISTOR		1		TH6,7			
19	R01 E04 208	HIGH PRESSURE SWITCH		1		63H			
20	T7W E26 408	HEAT EXCHANGER		1					
21	T7W E02 259	CONTACTOR		1		52C			
22	T7W A13 716	TERMINAL BLOCK	3P (L,N, \ominus)	1		TB1			
23	T7W E14 346	NOISE FILTER CIRCUIT BOARD		1		N.F.			
24	R01 H76 310	MULTI CONTROLLER CIRCUIT BOARD		1		MULTI.B.			
25	T7W E17 716	TERMINAL BLOCK	3P (M1, M2, S)	2		TB3, TB7			
26	R01 E01 311	TRANSMISSION POWER BOARD		1		M-P.B.			
27	T7W E01 234	RESISTOR		1		RS			
28	T7W E09 259	REACTOR		1		DCL			
29	T7W E26 313	POWER CIRCUIT BOARD		1		P.B.			
30	T7W E01 233	ACT MODULE		1		ACTM			
③①	T7W E09 254	MAIN SMOOTHING CAPACITOR		1		CB			
③②	R01 E66 202	THERMISTOR (OUTDOOR PIPE)		1		TH3			
③③	R01 E00 201	THERMISTOR (DISCHARGE)		1		TH4			
③④	R01 E65 202	THERMISTOR (HEATSINK)		1		TH8			
③⑤	R01 E02 239	FUSE	250V 6.3A	2		F1, 2			

1-2. STRUCTURAL PARTS PUMY-P125VHM



No.	Part No.	Part Name	Specification	Q'ty/set	Remarks (Drawing No.)	Wiring Diagram Symbol	Recom- mended Q'ty	Price	
				PUMY-P125VHM				Unit	Amount
1	-	F.ST SCREW	(5X10)	38	(DG12F536H10)				
2	T7W E02 662	SIDE PANEL (L)		1					
3	T7W E02 691	FAN GRILLE		2					
4	T7W E02 667	FRONT PANEL		1					
5	-	SEPARATOR		1	(BK00C143G80)				
6	R01 E14 686	BASE ASSY		1					
7	R01 E25 130	MOTOR SUPPORT		1					
8	-	VALVE BED ASSY		1	(BK00C142G15)				
9	R01 30L 655	HANDLE		2					
10	R01 E13 658	COVER PANEL (FRONT)		1					
11	R01 E11 658	COVER PANEL (REAR)		1					
12	R01 E24 661	SIDE PANEL (R)		1					
13	T7W E03 668	SERVICE PANEL		1					
14	-	LABEL (MITSUBISHI)		1	(DG79R130H01)				
15	R01 E01 698	REAR GUARD		1					
16	R01 E04 641	TOP PANEL		1					
17	R01 E00 655	HANDLE		1					

MITSUBISHI ELECTRIC CORPORATION

HEAD OFFICE : TOKYO BLDG., 2-7-3, MARUNOUCHI, CHIYODA-KU, TOKYO100-8310, JAPAN