

SERVICE PARTS LIST FOR MITSUBISHI ELECTRIC PACKAGED AIR-CONDITIONERS

Series PURY-P•YGM-A(-BS)

For use with the R410A

Jul. 2004

INDEX

PURY-P200YGM-A(-BS)

PURY-P250YGM-A(-BS)

PURY-P300YGM-A(-BS)

PURY-P350YGM-A(-BS)

PURY-P400YGM-A(-BS)

PURY-P450YGM-A(-BS)

PURY-P500YGM-A(-BS)

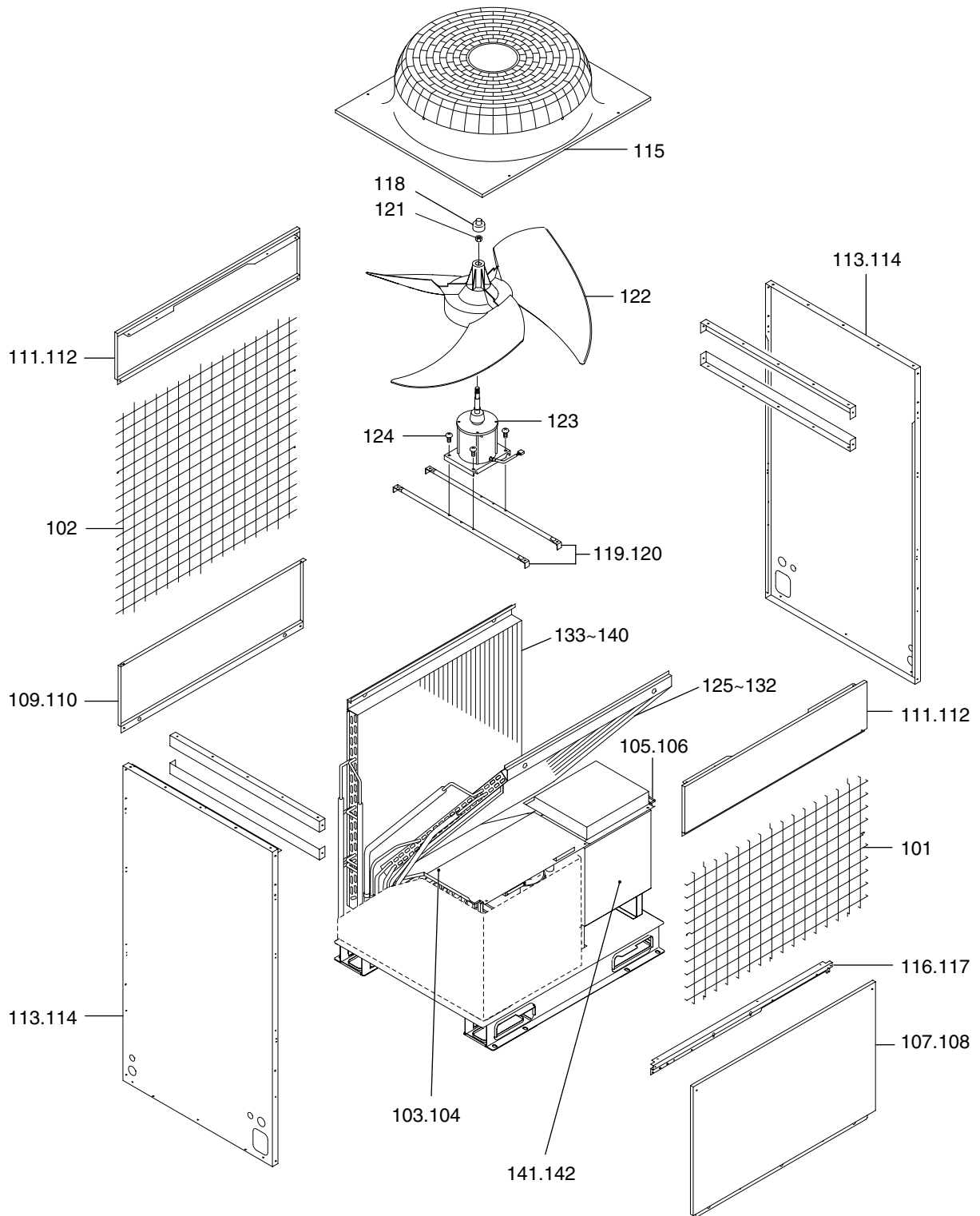
PURY-P550YGM-A(-BS)

PURY-P600YGM-A(-BS)

PURY-P650YGM-A(-BS)

PURY-P200,P250YGM-A(-BS)
PURY-P300,P350YGM-A(-BS)

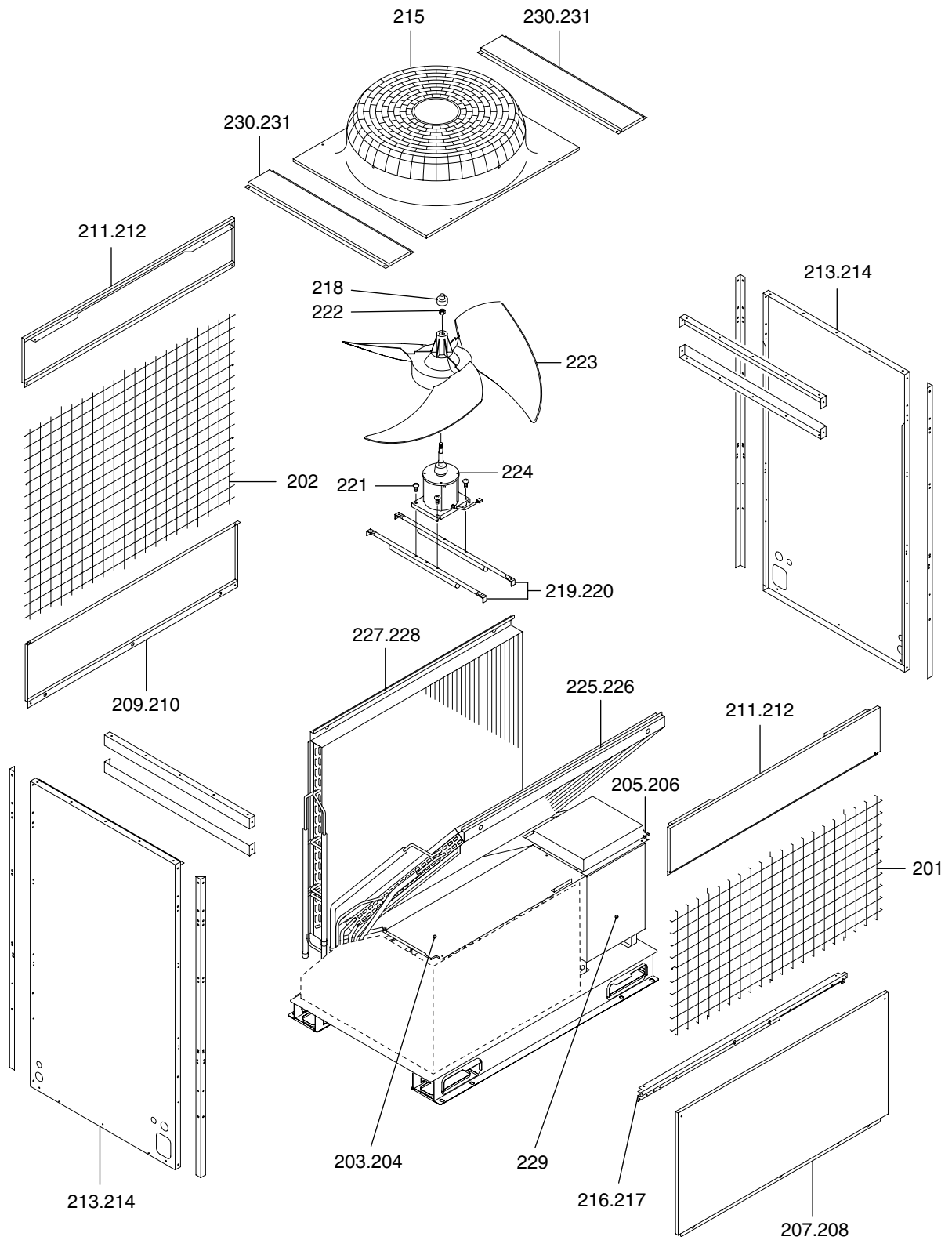
EXTERNAL PARTS & BLOWER PARTS (1)



PURY-P200,P250YGM-A(-BS)
 PURY-P300,P350YGM-A(-BS)

EXTERNAL PARTS & BLOWER PARTS (1)

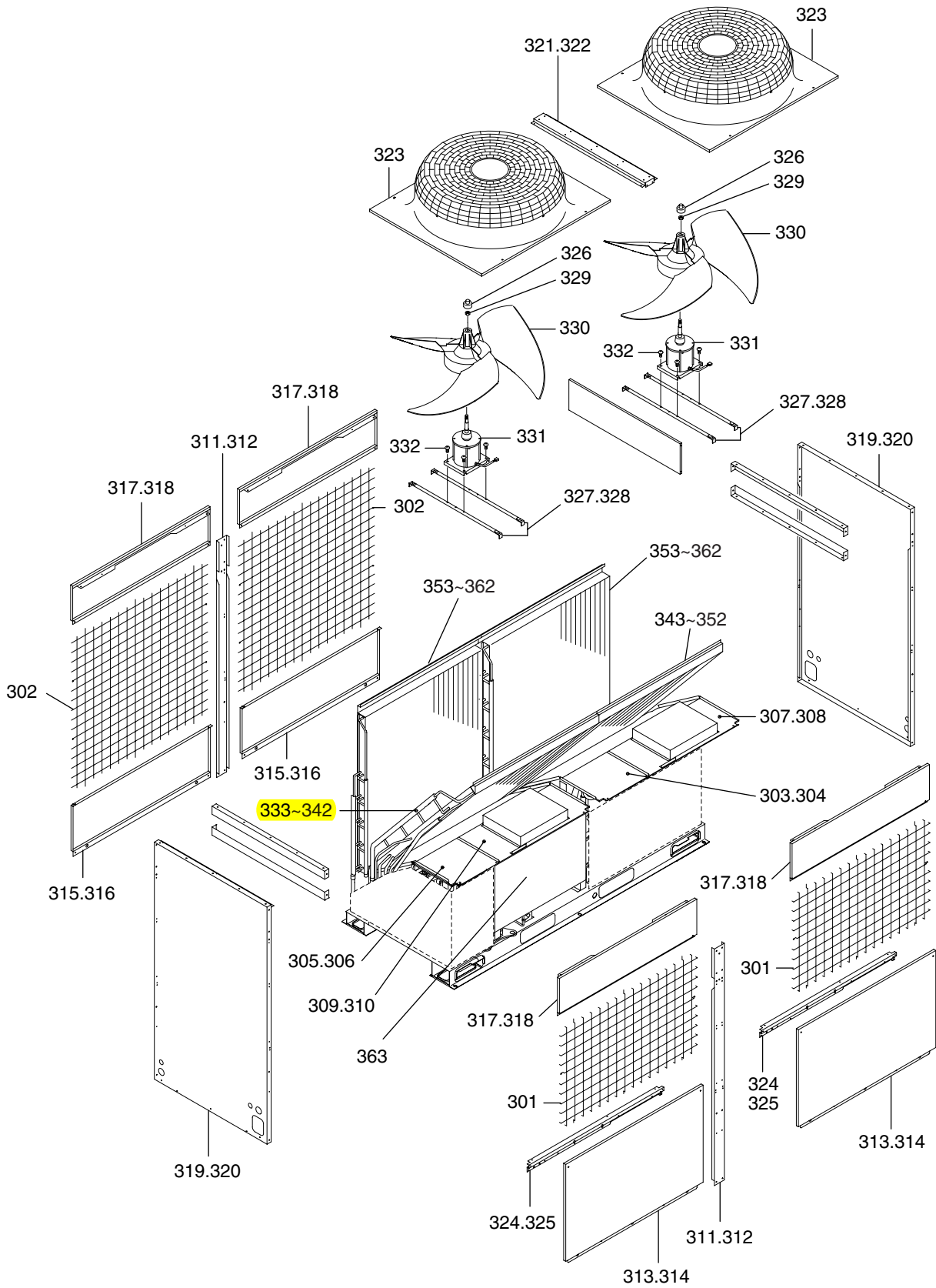
No.	Part No.	Part Name	Spec.	-P200YGM-A	-P250YGM-A	-P300YGM-A	-P350YGM-A	-P200YGM-A-BS	-P250YGM-A-BS	-P300YGM-A-BS	-P350YGM-A-BS	Dwg. No.	Price
101	R61 E66 611	Guard F assy		1	1	1	1	1	1	1	1	W265788G01	
102	R61 A42 638	Guard B assy		1	1	1	1	1	1	1	1	W265789G01	
103	R61 6A7 667	Partition board L assy		1	1	1	1					W657494G03	
104	R61 6A8 667	Partition board L assy						1	1	1	1	W657494G04	
105	R61 R37 668	Partition board R assy		1	1	1	1					W656424G01	
106	R61 R38 668	Partition board R assy						1	1	1	1	W656424G02	
107	R61 R34 651	Panel F		1	1	1	1					W655252H01	
108	R61 R36 651	Panel F						1	1	1	1	W655252G02	
109	R61 Y32 652	Panel B		1	1	1	1					W655227H02	
110	R61 R36 677	Panel B						1	1	1	1	W655227G04	
111	R61 L78 653	Panel FU		2	2	2	2					W633746H06	
112	R61 R36 652	Panel FU						2	2	2	2	W633746G07	
113	R61 N78 661	Panel S		2	2	2	2					W272421H01	
114	R61 R36 661	Panel S						2	2	2	2	W272421G03	
115	R61 N78 118	Fan guard		1	1	1	1	1	1	1	1	W126832G02	
116	R61 A42 659	Front panel		1	1	1	1					W615888H18	
117	R61 A43 659	Front panel						1	1	1	1	W615888G09	
118	R61 A69 086	Cap		1	1	1	1	1	1	1	1	P221056X01	
119	R61 A42 140	Fan stand		2	2	2	2					W856127G05	
120	R61 A43 140	Fan stand						2	2	2	2	W856127G06	
121	R61 A42 122	Nut 16		1	1	1	1	1	1	1	1	P541016X01	
122	R61 N78 115	Propeller fan	750D	1	1	1	1	1	1	1	1	W126814G01	
123	R61 Y43 221	Motor YC380IA	342V 33Hz	1	1	1	1	1	1	1	1	P714969X01	
124	R61 E90 087	Screw 6X14		4	4	4	4	4	4	4	4	P521020X01	
125	R61 Y22 482	Heat exchanger F		1								W276877G04	
126	R61 6A9 480	Heat exchanger F						1				W276877G03	
127	R61 Y87 481	Heat exchanger F		1								W658618G16	
128	R61 5A3 480	Heat exchanger F						1				W658618G11	
129	R61 Y88 481	Heat exchanger F			1							W658618G17	
130	R61 5A4 480	Heat exchanger F							1			W658618G12	
131	R61 Y89 481	Heat exchanger F				1						W658618G18	
132	R61 5A5 480	Heat exchanger F								1		W658618G13	
133	R61 Y24 482	Heat exchanger B		1								W276878G04	
134	R61 6A9 481	Heat exchanger B						1				W276878G03	
135	R61 Y92 481	Heat exchanger B			1							W658619G16	
136	R61 5A3 481	Heat exchanger B							1			W658619G11	
137	R61 Y93 481	Heat exchanger B				1						W658619G17	
138	R61 5A4 481	Heat exchanger B								1		W658619G12	
139	R61 Y94 481	Heat exchanger B					1					W658619G18	
140	R61 5A5 481	Heat exchanger B									1	W658619G13	
141	R61 Y23 305	Control box	R-P200YGM	1				1				W274761G04	
142	R61 Y24 305	Control box	R-P250YGM		1	1	1		1	1	1	W274761G05	



No.	Part No.	Part Name	Spec.	-P400YGM-A	-P400YGM-A-BS					Dwg. No.	Price
201	R61 A52 637	Guard F assy		1	1					W265792G01	
202	R61 A52 638	Guard B assy		1	1					W265791G01	
203	R61 Y28 629	Partition board L assy		1						W657494G01	
204	R61 Y29 629	Partition board L assy			1					W657494G02	
205	R61 R37 668	Partition board R assy		1						W656424G01	
206	R61 R38 668	Partition board R assy			1					W656424G02	
207	R61 R55 651	Panel F		1						W655254H01	
208	R61 R57 651	Panel F			1					W655254G02	
209	R61 Y33 629	Panel B		1						W655225H02	
210	R61 R57 677	Panel B			1					W655225G04	
211	R61 M23 651	Panel FU		2						W633747H05	
212	R61 R57 652	Panel FU			2					W633747G05	
213	R61 N78 661	Panel S		2						W272421H01	
214	R61 R36 661	Panel S			2					W272421G03	
215	R61 N78 118	Fan guard		1	1					W126832G02	
216	R61 A52 659	Front panel		1						W615888H19	
217	R61 A53 659	Front panel			1					W615888G10	
218	R61 A69 086	Cap		1	1					P221056X01	
219	R11 432 140	Fan stand		2						W862595G01	
220	R11 433 140	Fan stand			2					W862595G02	
221	R61 E90 087	Screw 6X14		4	4					P521020X01	
222	R61 A42 122	Nut 16		1	1					P541016X01	
223	R61 N78 115	Propeller fan	750D	1	1					W126814G01	
224	R61 Y44 221	Motor EEOK-IOTV1 640W	342V 40.5Hz	1	1					P714970X01	
225	R61 Y26 482	Heat exchanger F		1						W275454G04	
226	R61 7A6 480	Heat exchanger F			1					W275454G03	
227	R61 Y28 482	Heat exchanger B		1						W275455G04	
228	R61 7A6 481	Heat exchanger B			1					W275455G03	
229	R61 Y25 305	Control box	R-P400YGM	1	1					W274761G06	
230	R61 P85 499	Cover assy		2						W653698G01	
231	R61 R57 667	Cover assy			2					W653698G03	

PURY-P450,P500YGM-A(-BS)
 PURY-P550,P600YGM-A(-BS)
 PURY-P650YGM-A(-BS)

EXTERNAL PARTS & BLOWER PARTS (3)



PURY-P450,P500YGM-A(-BS)
 PURY-P550,P600YGM-A(-BS)
 PURY-P650YGM-A(-BS)

EXTERNAL PARTS & BLOWER PARTS (3)

No.	Part No.	Part Name	Spec.	-P450YGM-A	-P500YGM-A	-P550YGM-A	-P600YGM-A	-P650YGM-A	-P450YGM-A-BS	-P500YGM-A-BS	-P550YGM-A-BS	-P600YGM-A-BS	-P650YGM-A-BS	Dwg. No.	Price
301	R61 E66 611	Guard F assy		2	2	2	2	2	2	2	2	2	2	W265788G01	
302	R61 A42 638	Guard B assy		2	2	2	2	2	2	2	2	2	2	W265789G01	
303	R61 R34 667	Partition board L assy		1	1	1	1	1						W656425G01	
304	R61 R35 667	Partition board L assy							1	1	1	1	1	W656425G02	
305	R61 6A7 667	Partition board L assy		1	1	1	1	1						W657494G03	
306	R61 6A8 667	Partition board L assy							1	1	1	1	1	W657494G04	
307	R61 R43 668	Partition board R assy		1	1	1	1	1						W656424G03	
308	R61 R44 668	Partition board R assy							1	1	1	1	1	W656424G04	
309	R61 R43 667	Partition board R assy		1	1	1	1	1						W656424G05	
310	R61 R44 667	Partition board R assy							1	1	1	1	1	W656424G06	
311	R61 R43 626	Stay M		2	2	2	2	2						W656007G01	
312	R61 R44 626	Stay M							2	2	2	2	2	W656007G02	
313	R61 R34 651	Panel F		2	2	2	2	2						W655252H01	
314	R61 R36 651	Panel F							2	2	2	2	2	W655252G02	
315	R61 Y32 652	Panel B		2	2	2	2	2						W655227H02	
316	R61 R36 677	Panel B							2	2	2	2	2	W655227G04	
317	R61 L78 653	Panel FU		4	4	4	4	4						W633746H06	
318	R61 R36 652	Panel FU							4	4	4	4	4	W633746G07	
319	R61 N78 661	Panel S		2	2	2	2	2						W272421H01	
320	R61 R36 661	Panel S							2	2	2	2	2	W272421G03	
321	R61 E66 125	Beam M		1	1	1	1	1						W623718G01	
322	R61 E67 125	Beam M							1	1	1	1	1	W623718G03	
323	R61 N78 118	Fan guard		2	2	2	2	2	2	2	2	2	2	W126832G02	
324	R61 A42 659	Front panel		2	2	2	2	2						W615888H18	
325	R61 A43 659	Front panel							2	2	2	2	2	W615888G09	
326	R61 A69 086	Cap		2	2	2	2	2	2	2	2	2	2	P221056X01	
327	R61 A42 140	Fan stand		4	4	4	4	4						W856127G05	
328	R61 A43 140	Fan stand							4	4	4	4	4	W856127G06	
329	R61 A42 122	Nut 16		2	2	2	2	2	2	2	2	2	2	P541016X01	
330	R61 N78 115	Propeller fan	750D	2	2	2	2	2	2	2	2	2	2	W126814G01	
331	R61 Y43 221	Motor YC380IA	342V 33Hz	2	2	2	2	2	2	2	2	2	2	P714969X01	
332	R61 E90 087	Screw 6X14		8	8	8	8	8	8	8	8	8	8	P521020X01	
333	R61 Y87 481	Heat exchanger F		1										W658618G16	
334	R61 5A3 480	Heat exchanger F							1					W658618G11	
335	R61 Y88 481	Heat exchanger F			1									W658618G17	
336	R61 5A4 480	Heat exchanger F							1					W658618G12	
337	R61 Y89 481	Heat exchanger F				1								W658618G18	
338	R61 5A5 480	Heat exchanger F								1				W658618G13	
339	R61 Y90 481	Heat exchanger F					1							W658618G19	
340	R61 5A9 480	Heat exchanger F									1			W658618G14	
341	R61 Y91 481	Heat exchanger F						1						W658618G20	
342	R61 6A0 480	Heat exchanger F										1		W658618G15	
343	R61 Y97 481	Heat exchanger F		1										W658623G16	
344	R61 5A6 480	Heat exchanger F							1					W658623G11	
345	R61 Y98 481	Heat exchanger F			1									W658623G17	

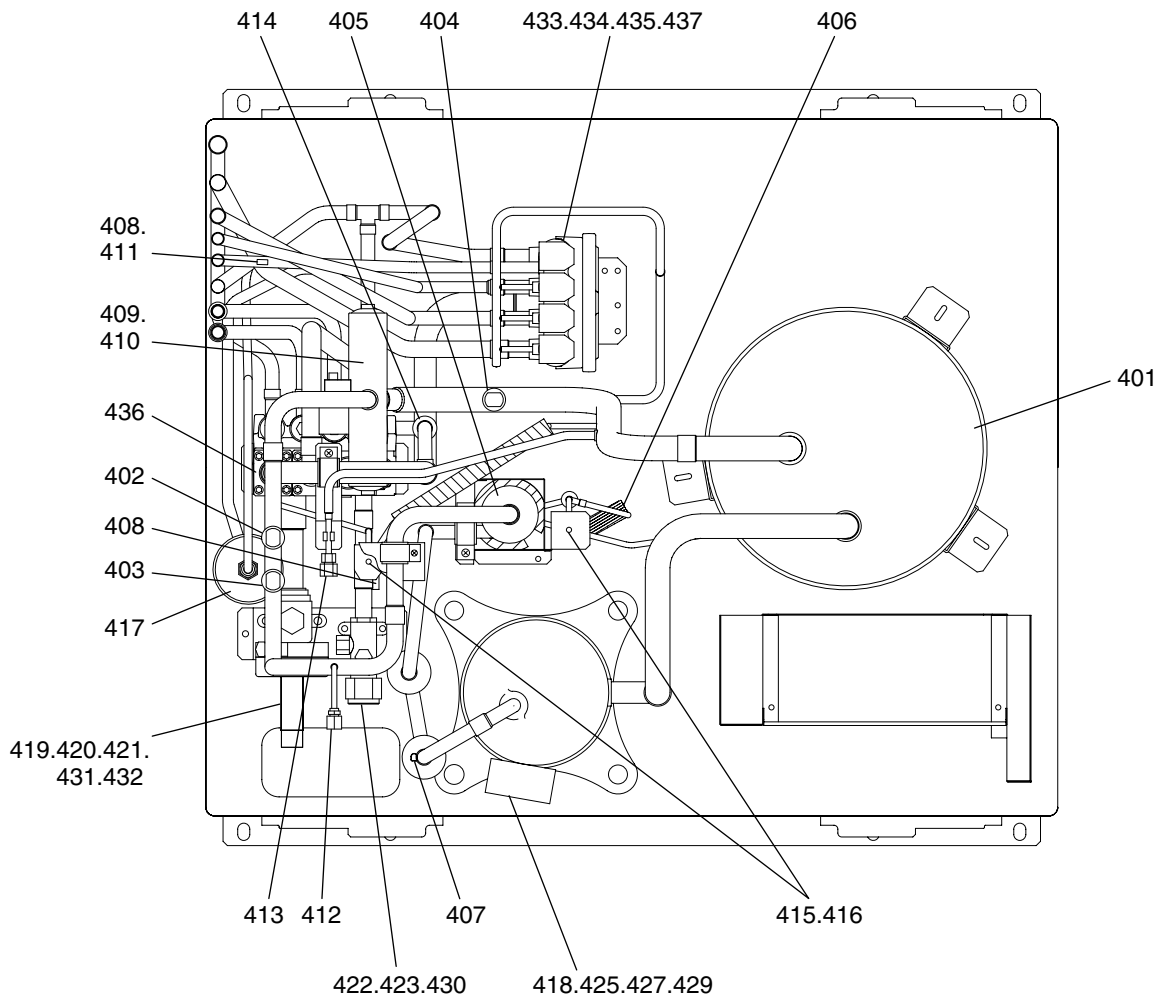
PURY-P450,P500YGM-A(-BS)
 PURY-P550,P600YGM-A(-BS)
 PURY-P650YGM-A(-BS)

EXTERNAL PARTS & BLOWER PARTS (3)

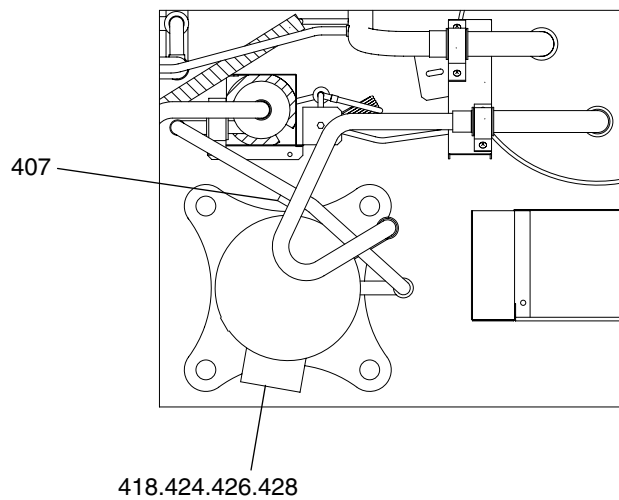
No.	Part No.	Part Name	Spec.	-P450YGM-A	-P500YGM-A	-P550YGM-A	-P600YGM-A	-P650YGM-A	-P450YGM-A-BS	-P500YGM-A-BS	-P550YGM-A-BS	-P600YGM-A-BS	-P650YGM-A-BS	Dwg. No.	Price
346	R61 5A7 480	Heat exchanger F							1					W658623G12	
347	R61 Y99 481	Heat exchanger F			1									W658623G18	
348	R61 5A8 480	Heat exchanger F								1				W658623G13	
349	R61 Y01 482	Heat exchanger F				1								W658623G19	
350	R61 5A9 482	Heat exchanger F										1		W658623G14	
351	R61 Y02 482	Heat exchanger F					1							W658623G20	
352	R61 6A0 482	Heat exchanger F											1	W658623G15	
353	R61 Y92 481	Heat exchanger B		2										W658619G16	
354	R61 5A3 481	Heat exchanger B						2						W658619G11	
355	R61 Y93 481	Heat exchanger B			2									W658619G17	
356	R61 5A4 481	Heat exchanger B							2					W658619G12	
357	R61 Y94 481	Heat exchanger B			2									W658619G18	
358	R61 5A5 481	Heat exchanger B								2				W658619G13	
359	R61 Y95 481	Heat exchanger B				2								W658619G19	
360	R61 5A9 481	Heat exchanger B									2			W658619G14	
361	R61 Y96 481	Heat exchanger B					2							W658619G20	
362	R61 6A0 481	Heat exchanger B										2		W658619G15	
363	R61 Y26 305	Control box	R-P650YGM	1	1	1	1	1	1	1	1	1	1	W274763G02	

PURY-P200,P250YGM-A(-BS)
PURY-P300,P350YGM-A(-BS)

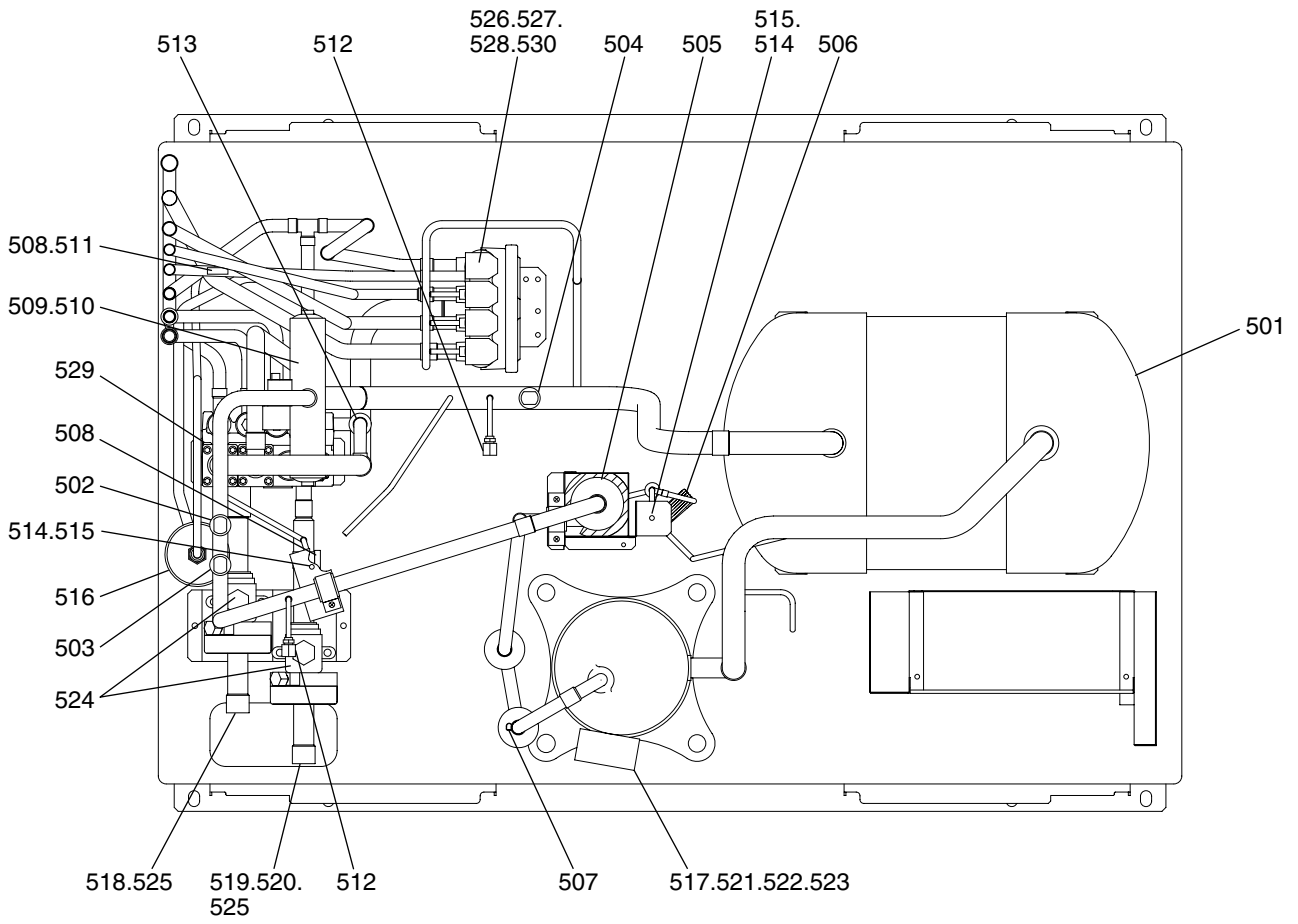
FUNCTIONAL PARTS (1)



PURY-P200

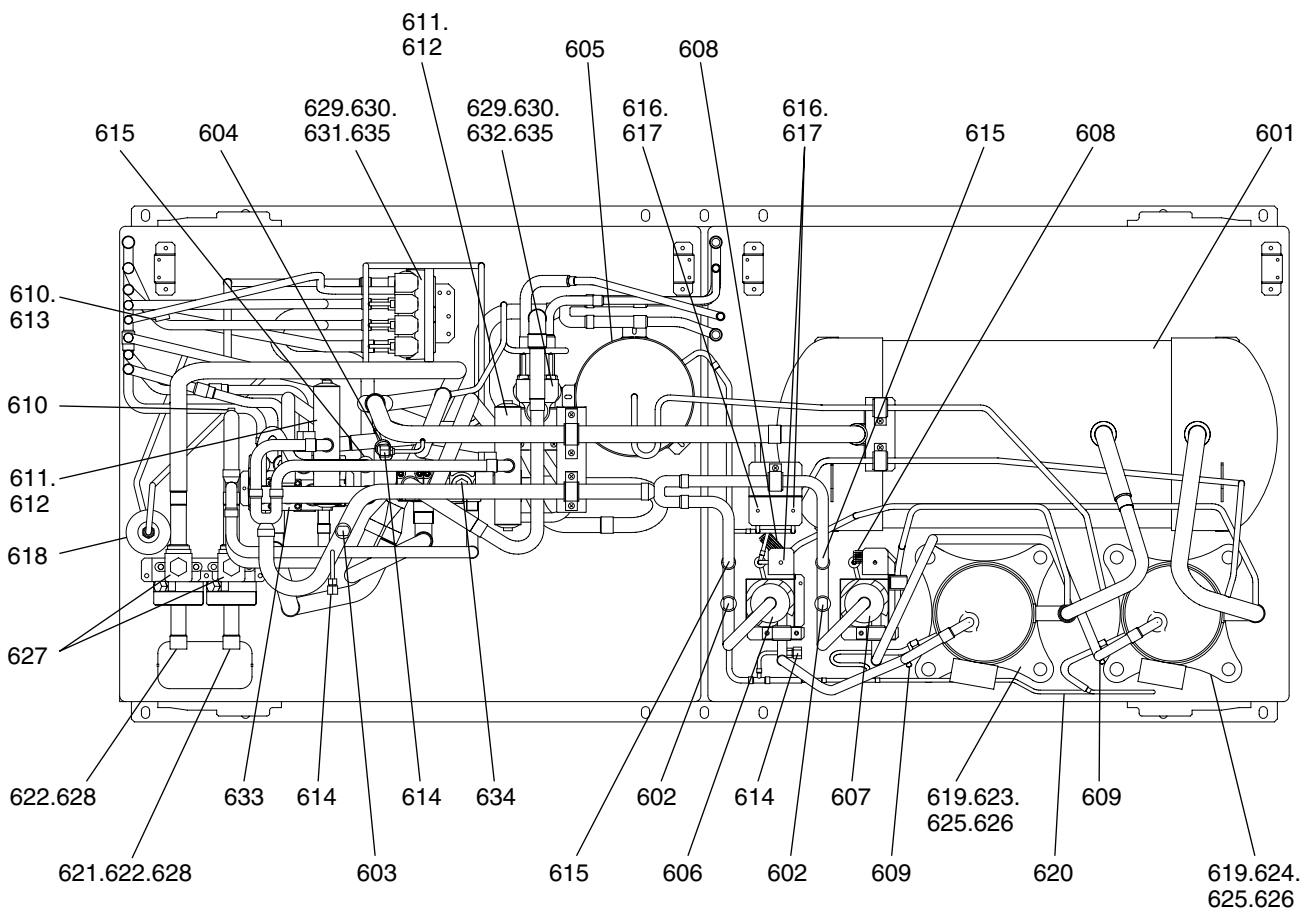


No.	Part No.	Part Name	Spec.										Dwg. No.	Price
401	R61 R37 484	Accumulator assy P280M-E		1	1	1	1	1	1	1	1	1	W274166G02	
402	R61 Y11 208	Pressure switch ACB1UB28W	<63H1>	1	1	1	1	1	1	1	1	1	P426320X01	
403	R61 R34 288	Pressure sensor R410A	<63HS>	1	1	1	1	1	1	1	1	1	P418015X01	
404	R61 R37 288	Pressure sensor R410A	<63LS>	1	1	1	1	1	1	1	1	1	P418014X01	
405	R61 R34 487	Oil separator assy		1	1	1	1	1	1	1	1	1	W656027G01	
406	R61 R34 425	Capillary tube assy		1	1	1	1	1	1	1	1	1	W905625G01	
407	R61 911 202	Thermistor	<TH11>	1	1	1	1	1	1	1	1	1	P425416X02	
408	R61 670 202	Thermistor NTH3A14	<TH5~7>	3	3	3	3	3	3	3	3	3	P425496X01	
409	R61 Y05 154	Four way valve VHV-07	R410A	1	1	1	1	1	1	1	1	1	P633116X01	
410	R61 Y16 243	Solenoid valve coil VHV	<21S4a>	1	1	1	1	1	1	1	1	1	P472021X01	
411	R61 A45 287	Sensor cover	EVA(12.7D)	1	1	1	1	1	1	1	1	1	P227171X01	
412	R61 R34 413	Check joint L R410A	VCSH2S-LM	1	1	1	1	1	1	1	1	1	P666001X01	
413	R61 S84 413	Check joint R410A	VCSH2S	1	1	1	1	1	1	1	1	1	P666002X01	
414	R61 R43 418	Check valve BCV-1005DY	R410A 4.15MPa CV3.5	1	1	1	1	1	1	1	1	1	P639165X01	
415	R61 Y17 243	Solenoid valve coil LD 2	<SV1,SV2>	2	2	2	2	2	2	2	2	2	P472020X01	
416	R61 R34 232	Solenoid valve VD1		2	2	2	2	2	2	2	2	2	P631279X01	
417	R61 M57 405	Drier	DML163/4	1	1	1	1	1	1	1	1	1	P641114X01	
418	R61 Y08 262	Belt heater	<CH11>	1	1	1	1	1	1	1	1	1	P493642X02	
419	R61 6A7 494	Pipe assy	ID19.05	1				1					W656083G01	
420	R61 R37 544	Pipe assy	ID22.2		1	1			1	1			W656083G02	
421	R61 Y06 494	Pipe assy	ID28.6				1				1		W656083G04	
422	R61 R46 441	Pipe assy		1				1					W905698G03	
423	R61 R34 494	Pipe assy			1	1	1		1	1	1		W905698G02	
424	R69 A23 478	Compressor	(ANV47FFBMT)<MC>	1				1					W650609G04	
425	R69 A24 478	Scroll compressor	(HNB71FA-YB)<MC>	1	1	1			1	1	1		EP10092G03	
426	R61 R34 580	Insulation cover	Body	1				1					W656008G02	
427	R61 R37 580	Insulation cover	Body		1	1	1		1	1	1		W654314G02	
428	R61 R40 580	Insulation cover	Head	1				1					W905175G02	
429	R61 R55 580	Insulation cover	Head		1	1	1		1	1	1		W903526G02	
430	R61 R34 410	Ball valve VSBH-6	R410A	1	1	1	1	1	1	1	1	1	P636308X01	
431	R61 R40 410	Ball valve VSMBH-8	R410A	1	1	1	1	1	1	1	1	1	P636309X01	
432	R61 F14 514	Packing		1	1	1	1	1	1	1	1	1	P321009X01	
433	R61 Y18 243	Solenoid valve coil	<SV4a~SV4d>	4	4	4	4	4	4	4	4	4	P472012X01	
434	R61 6A7 235	Solenoid valve ACS		4	4	4	4	4	4	4	4	4	P631285X01	
435	R61 6A7 232	Solenoid valve block assy		1	1	1	1	1	1	1	1	1	W654369G01	
436	R61 6A7 418	Check valve block assy		1	1	1	1	1	1	1	1	1	W276816G01	
437	R61 6A7 245	Fasten part for solenoid valve		1	1	1	1	1	1	1	1	1	W909209G01	



PURY-P450,P500YGM-A(-BS)
PURY-P550,P600YGM-A(-BS)
PURY-P650YGM-A(-BS)

FUNCTIONAL PARTS (3)



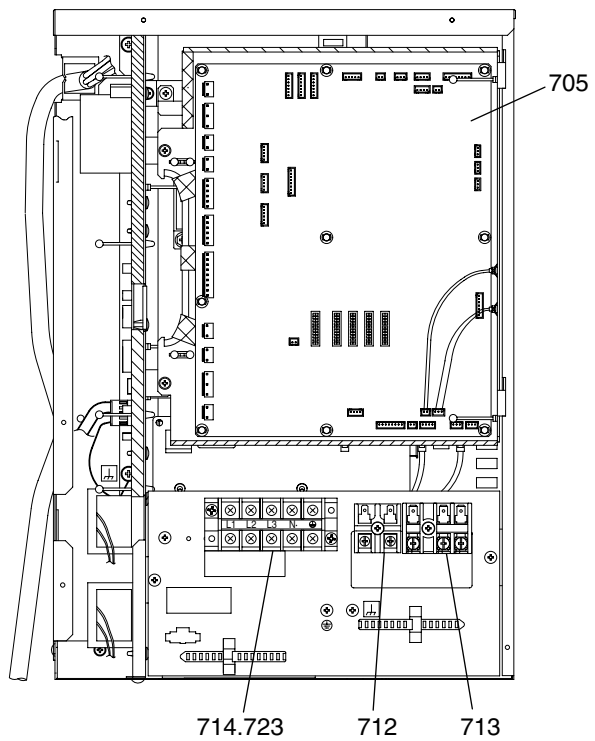
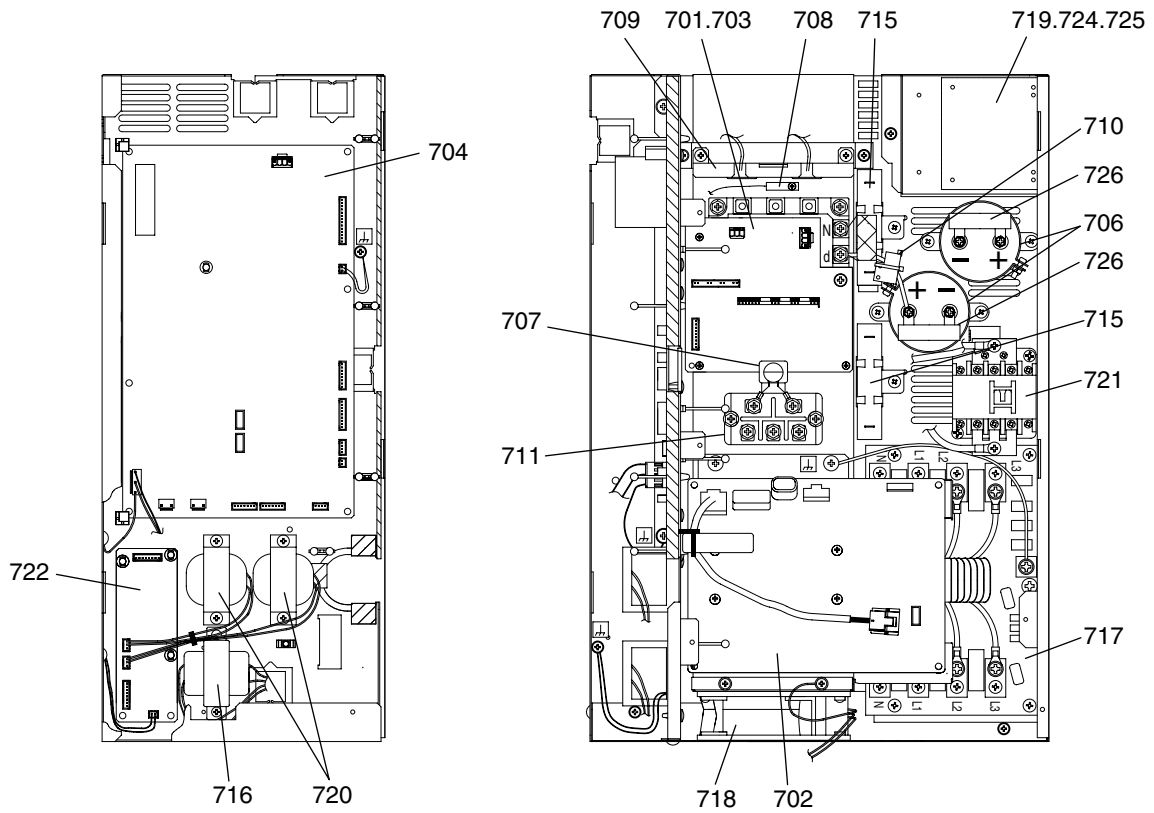
PURY-P450,P500YGM-A(-BS)
 PURY-P550,P600YGM-A(-BS)
 PURY-P650YGM-A(-BS)

FUNCTIONAL PARTS (3)

No.	Part No.	Part Name	Spec.	-P450YGM-A	-P500YGM-A	-P550YGM-A	-P600YGM-A	-P650YGM-A	-P450YGM-A-BS	-P500YGM-A-BS	-P550YGM-A-BS	-P600YGM-A-BS	-P650YGM-A-BS	Dwg. No.	Price
601	R61 R43 484	Accumulator assy P560M-E		1	1	1	1	1	1	1	1	1	1	W274189G03	
602	R61 Y11 208	Pressure switch ACB1UB28W	<63H1,2>	2	2	2	2	2	2	2	2	2	2	P426320X01	
603	R61 R34 288	Pressure sensor R410A	<63HS>	1	1	1	1	1	1	1	1	1	1	P418015X01	
604	R61 R37 288	Pressure sensor R410A	<63LS>	1	1	1	1	1	1	1	1	1	1	P418014X01	
605	R61 R43 530	Oil tank		1	1	1	1	1	1	1	1	1	1	W655257G03	
606	R61 R44 487	Oil separator assy 1	<O/S1>	1	1	1	1	1	1	1	1	1	1	W656073G02	
607	R61 R43 487	Oil separator assy 2	<O/S2>	1	1	1	1	1	1	1	1	1	1	W656074G01	
608	R61 R55 425	Capillary tube assy		2	2	2	2	2	2	2	2	2	2	W905191G01	
609	R61 911 202	Thermistor	<TH11,12>	2	2	2	2	2	2	2	2	2	2	P425416X02	
610	R61 670 202	Thermistor NTH3A14	<TH5~7>	3	3	3	3	3	3	3	3	3	3	P425496X01	
611	R61 R34 154	Four way valve VT6100F	R410A	2	2	2	2	2	2	2	2	2	2	P633114X01	
612	R61 Y07 242	Solenoid valve coil	<21S4a,21S4b>	2	2	2	2	2	2	2	2	2	2	P633106X01	
613	R61 A45 287	Sensor cover	EVA(12.7D)	1	1	1	1	1	1	1	1	1	1	P227171X01	
614	R61 R34 413	Check joint L R410A	VC5H2S-LM	3	3	3	3	3	3	3	3	3	3	P666001X01	
615	R61 R43 418	Check valve BCV-1005DY	R410A 4.15MPa CV3.5	3	3	3	3	3	3	3	3	3	3	P639165X01	
616	R61 Y17 243	Solenoid valve coil LD2	<SV1~SV3>	3	3	3	3	3	3	3	3	3	3	P472020X01	
617	R61 R34 232	Solenoid valve VD1		3	3	3	3	3	3	3	3	3	3	P631279X01	
618	R61 N24 405	Drier	DML303/4	1	1	1	1	1	1	1	1	1	1	P641115X01	
619	R61 Y07 237	Belt heater	<CH11,12>	2	2	2	2	2	2	2	2	2	2	P493781X01	
620	R61 Y14 494	Pipe assy		1	1	1	1	1	1	1	1	1	1	W659300G01	
621	R61 R37 544	Pipe assy	ID22.2	1	1			1	1					W656083G02	
622	R61 Y06 494	Pipe assy	ID28.6	1	1	2	2	1	1	2	2	2	2	W656083G04	
623	R69 A26 478	Scroll compressor	(HNB71FA-YJ)<MC1>	1	1	1	1	1	1	1	1	1	1	EP10092G04	
624	R69 A25 478	Scroll compressor	(HN71YA-J)<MC2>	1	1	1	1	1	1	1	1	1	1	EP10093G02	
625	R61 R37 580	Insulation cover	Body	2	2	2	2	2	2	2	2	2	2	W654314G02	
626	R61 R55 580	Insulation cover	Head	2	2	2	2	2	2	2	2	2	2	W903526G02	
627	R61 R40 410	Ball valve VSMBH-8	R410A	2	2	2	2	2	2	2	2	2	2	P636309X01	
628	R61 F14 514	Packing		2	2	2	2	2	2	2	2	2	2	P321009X01	
629	R61 Y18 243	Solenoid valve coil	<SV4a~SV4d,SV5a,SV5b>	6	6	6	6	6	6	6	6	6	6	P472012X01	
630	R61 6A7 235	Solenoid valve ACS		6	6	6	6	6	6	6	6	6	6	P631285X01	
631	R61 6A7 232	Solenoid valve block assy		1	1	1	1	1	1	1	1	1	1	W654369G01	
632	R61 7A7 232	Solenoid valve block assy		1	1	1	1	1	1	1	1	1	1	W658302G01	
633	R61 6A7 418	Check valve block assy		1	1	1	1	1	1	1	1	1	1	W276816G01	
634	R61 7A7 418	Check valve block assy		1	1	1	1	1	1	1	1	1	1	W276812G01	
635	R61 6A7 245	Fasten part for solenoid valve		1	1	1	1	1	1	1	1	1	1	W909209G01	

PURY-P200,P250YGM-A(-BS)
 PURY-P300,P350,P400YGM-A(-BS)

CONTROL BOX PARTS (1)



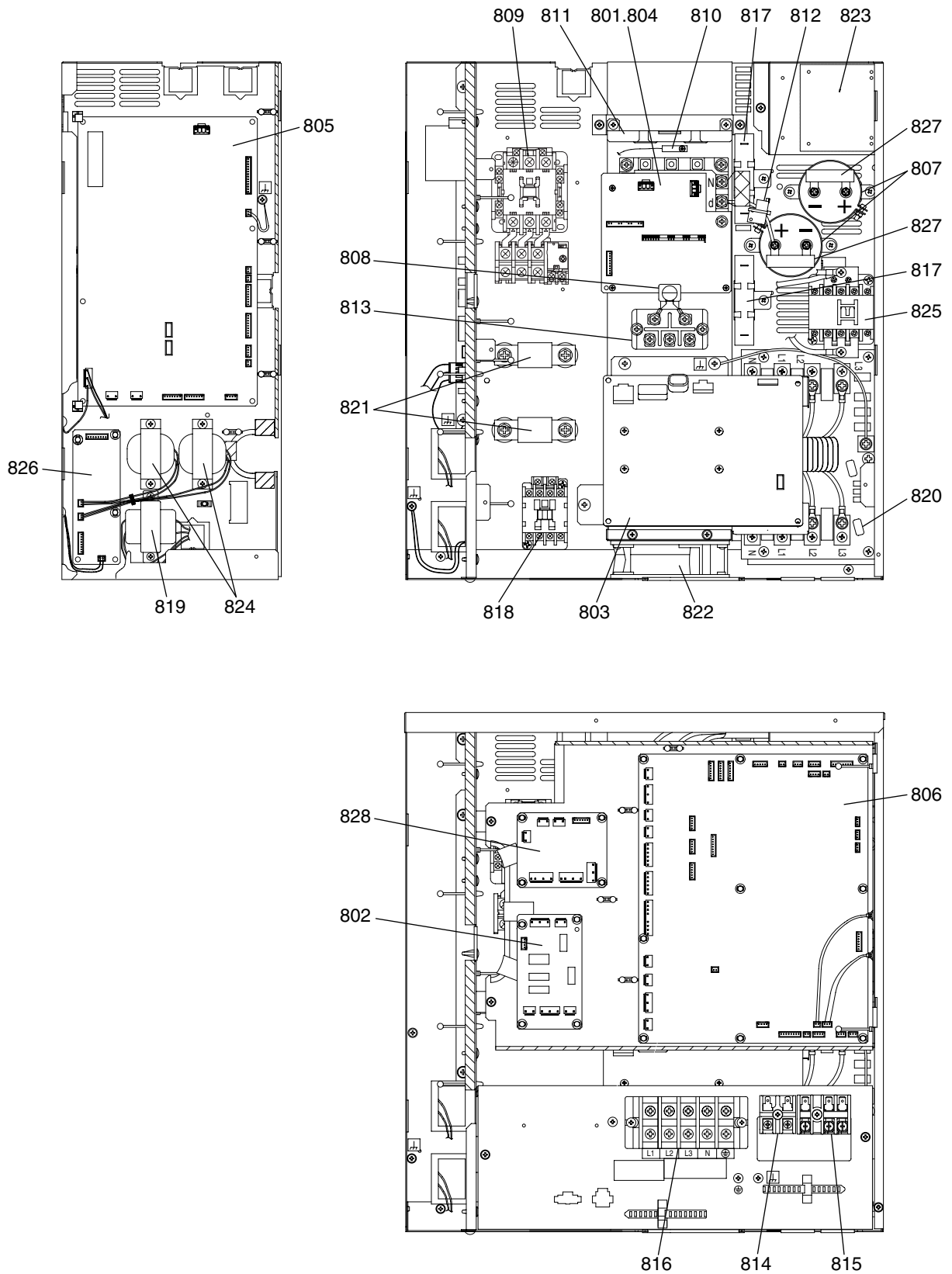
PURY-P200,P250YGM-A(-BS)
 PURY-P300,P350,P400YGM-A(-BS)

CONTROL BOX PARTS (1)

No.	Part No.	Part Name	Spec.	P200YGM-A	P250YGM-A	P300YGM-A	P350YGM-A	P400YGM-A	P200YGM-A-BS	P250YGM-A-BS	P300YGM-A-BS	P350YGM-A-BS	P400YGM-A-BS	Dwg. No.	Price
				1	1	1	1	1	1	1	1	1	1		
701	R61 Y04 249	IPM	6MBP50RA120	1	1	1	1	1	1	1	1	1	1	W848413G10	
702	R61 Y24 321	Fan INV board		1	1	1	1	1	1	1	1	1	1	W652171G02	
703	R61 Y43 280	G/A board		1	1	1	1	1	1	1	1	1	1	W652112G02	
704	R61 Y25 321	INV board		1	1	1	1	1	1	1	1	1	1	W647875G04	
705	R61 Y49 281	Main board		1	1	1	1	1	1	1	1	1	1	W647876G10	
706	R61 R34 252	Capacitor	400V 3300µF<C11,C12>	2	2	2	2	2	2	2	2	2	2	P412293X01	
707	R61 L85 252	ZNR+C	<ZNR14>	1	1	1	1	1	1	1	1	1	1	W886345G01	
708	R61 F14 201	Thermistor	<THHS>	1	1	1	1	1	1	1	1	1	1	P414095X01	
709	R61 Y02 287	ACCT	CHJ038CP2B<AC-CT>	1	1	1	1	1	1	1	1	1	1	W652122G01	
710	R61 A42 289	DCCT	<DC-CT>		1	1	1	1		1	1	1	1	P419079X02	
711	R61 Y12 320	Diode	DF60LB160<DS1>	1	1	1	1	1	1	1	1	1	1	W876941G06	
712	R61 435 246	Terminal bed	<TB3>	1	1	1	1	1	1	1	1	1	1	A73S950H02	
713	R61 979 247	Terminal bed	<TB7>	1	1	1	1	1	1	1	1	1	1	P436110X01	
714	R61 Y05 246	Terminal bed	<TB1>	1	1	1	1		1	1	1	1		P436151X01	
715	R61 Y06 234	Resistor	40W, 47Ω<R11,R12>	2	2	2	2	2	2	2	2	2	2	P411141X01	
716	R61 Y25 260	Transformer	230V/20.1V<T01>	1	1	1	1	1	1	1	1	1	1	P715378X01	
717	R61 Y11 293	Noise filter CF4032C-MX2	<ACNF1>	1	1	1	1	1	1	1	1	1	1	P417012X01	
718	R61 Y15 118	Fan	109S025UL<MF1>	1	1	1	1	1	1	1	1	1	1	W639916G01	
719	R61 Y02 259	Reactor	<DCL1>	1					1					P715379X01	
720	R61 R40 259	Choke coil	10mH 2A<L1,L2>	2	2	2	2	2	2	2	2	2	2	P715370X01	
721	R61 Y28 225	Magnet contactor	PAK-21J,AC240V<52C1>	1	1	1	1	1	1	1	1	1	1	S427020H12	
722	R61 Y26 321	Filter board		1	1	1	1	1	1	1	1	1	1	W629574G06	
723	R61 Y06 246	Terminal bed	<TB1>					1					1	P436213X01	
724	R61 Y03 259	Reactor	<DCL1>		1	1	1			1	1	1		P715380X01	
725	R61 Y04 259	Reactor	<DCL1>					1					1	P715381X01	
726	R61 Y04 234	Resistor	<R13,R14>	2	2	2	2	2	2	2	2	2	2	P411124X01	

PURY-P450,P500,P550YGM-A(-BS)
 PURY-P600,P650YGM-A(-BS)

CONTROL BOX PARTS (2)



PURY-P450,P500,P550YGM-A(-BS)
 PURY-P600,P650YGM-A(-BS)

CONTROL BOX PARTS (2)

No.	Part No.	Part Name	Spec.											Dwg. No.	Price				
				-P450YGM-A	-P500YGM-A	-P550YGM-A	-P600YGM-A	-P650YGM-A	-P450YGM-A-BS	-P500YGM-A-BS	-P550YGM-A-BS	-P600YGM-A-BS	-P650YGM-A-BS						
801	R61 Y04 249	IPM	6MBP50RA120	1	1	1	1	1	1	1	1	1	1	1	1	1	1	W848413G10	
802	R61 Y60 280	Relay board		1	1	1	1	1	1	1	1	1	1	1	1	1	1	W629574G02	
803	R61 Y24 321	Fan INV board		1	1	1	1	1	1	1	1	1	1	1	1	1	1	W652171G02	
804	R61 Y43 280	G/A board		1	1	1	1	1	1	1	1	1	1	1	1	1	1	W652112G02	
805	R61 Y25 321	INV board		1	1	1	1	1	1	1	1	1	1	1	1	1	1	W647875G04	
806	R61 Y50 281	Main board		1	1	1	1	1	1	1	1	1	1	1	1	1	1	W647876G16	
807	R61 R34 252	Capacitor	400V 3300μF<C11,C12>	2	2	2	2	2	2	2	2	2	2	2	2	2	2	P412293X01	
808	R61 L85 252	ZNR+C	<ZNR14>	1	1	1	1	1	1	1	1	1	1	1	1	1	1	W886345G01	
809	R61 Y36 225	Magnetic starter	PAK-35JT-FC<51C2,52C2>	1	1	1	1	1	1	1	1	1	1	1	1	1	1	S427025H84	
810	R61 F14 201	Thermistor	<THHS>	1	1	1	1	1	1	1	1	1	1	1	1	1	1	P414095X01	
811	R61 Y02 287	ACCT	CHJ038CP2B<AC-CT>	1	1	1	1	1	1	1	1	1	1	1	1	1	1	W652122G01	
812	R61 A42 289	DCCT	<DC-CT>	1	1	1	1	1	1	1	1	1	1	1	1	1	1	P419079X02	
813	R61 Y12 320	Diode	DF60LB160<DS1>	1	1	1	1	1	1	1	1	1	1	1	1	1	1	W876941G06	
814	R61 435 246	Terminal bed	<TB3>	1	1	1	1	1	1	1	1	1	1	1	1	1	1	A73S950H02	
815	R61 979 247	Terminal bed	<TB7>	1	1	1	1	1	1	1	1	1	1	1	1	1	1	P436110X01	
816	R61 Y06 246	Terminal bed	<TB1>	1	1	1	1	1	1	1	1	1	1	1	1	1	1	P436213X01	
817	R61 Y06 234	Resistor	40W, 47Ω<R11,R12>	2	2	2	2	2	2	2	2	2	2	2	2	2	2	P411141X01	
818	R61 Y29 225	Magnet contactor	PAK-11J<52F>	1	1	1	1	1	1	1	1	1	1	1	1	1	1	S427020H15	
819	R61 Y25 260	Transformer	230V/20.1V	1	1	1	1	1	1	1	1	1	1	1	1	1	1	P715378X01	
820	R61 Y11 293	Noise filter CF4032C-MX2	<ACNF1>	1	1	1	1	1	1	1	1	1	1	1	1	1	1	P417012X01	
821	R61 Y09 241	Fuse	<F11,F12>	2	2	2	2	2	2	2	2	2	2	2	2	2	2	S423007H02	
822	R61 Y15 118	Fan	109S025UL<MF1>	1	1	1	1	1	1	1	1	1	1	1	1	1	1	W639916G01	
823	R61 Y04 259	Reactor	<DCL1>	1	1	1	1	1	1	1	1	1	1	1	1	1	1	P715381X01	
824	R61 R40 259	Choke coil	10mH 2A<L1,L2>	2	2	2	2	2	2	2	2	2	2	2	2	2	2	P715370X01	
825	R61 Y28 225	Magnet contactor	PAK-21J,AC240V<52C1>	1	1	1	1	1	1	1	1	1	1	1	1	1	1	S427020H12	
826	R61 Y26 321	Filter board		1	1	1	1	1	1	1	1	1	1	1	1	1	1	W629574G06	
827	R61 Y04 234	Resistor	<R13,R14>	2	2	2	2	2	2	2	2	2	2	2	2	2	2	P411124X01	
828	R61 Y48 281	Relay board		1	1	1	1	1	1	1	1	1	1	1	1	1	1	W629574G05	

