

SERVICE PARTS LIST FOR MITSUBISHI ELECTRIC PACKAGED AIR-CONDITIONERS

Series : PQHY-P•YGM-A

For use with the R410A

REVISED

June 2007

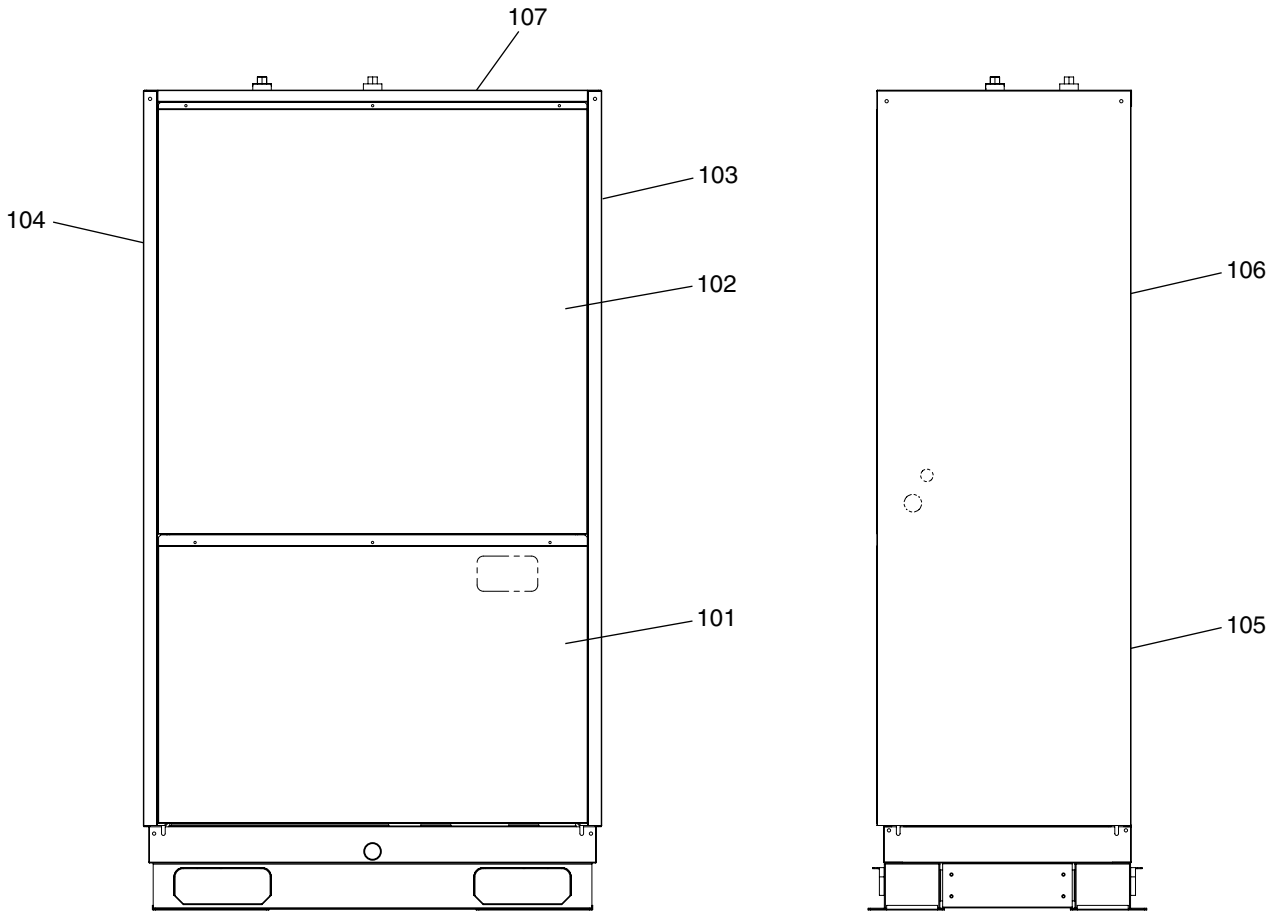
BWE0517B

INDEX
PQHY-P200YGM-A
PQHY-P250YGM-A

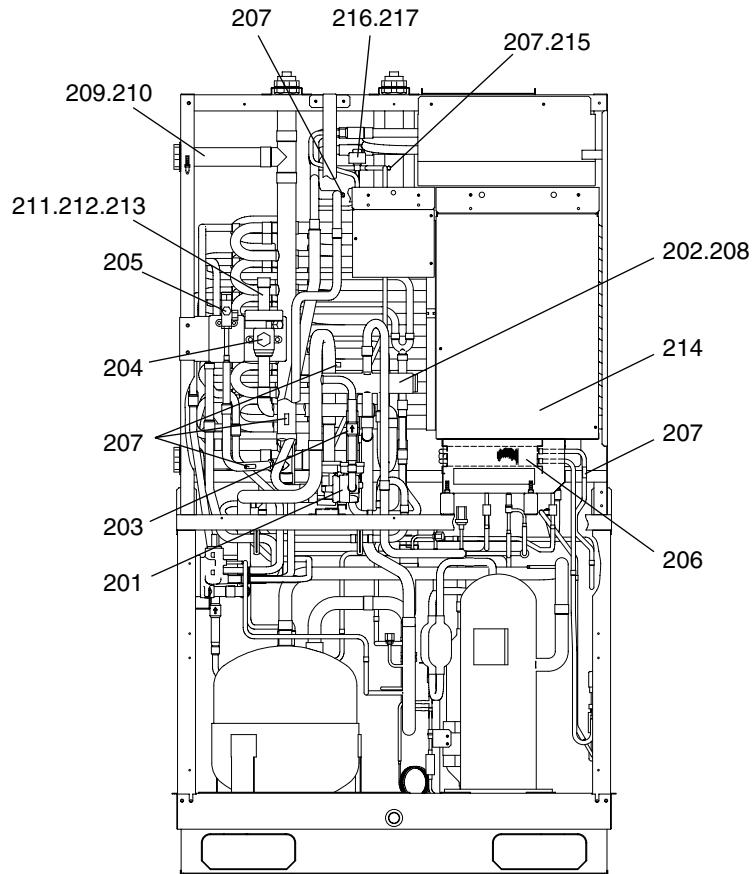


PQHY-P200YGM-A
PQHY-P250YGM-A

EXTERNAL PARTS



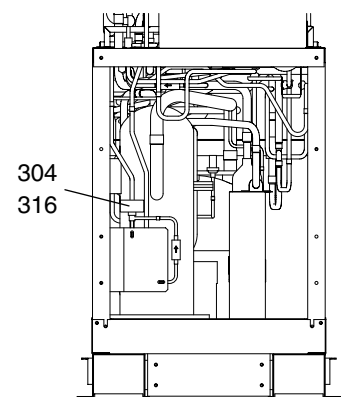
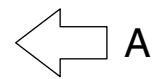
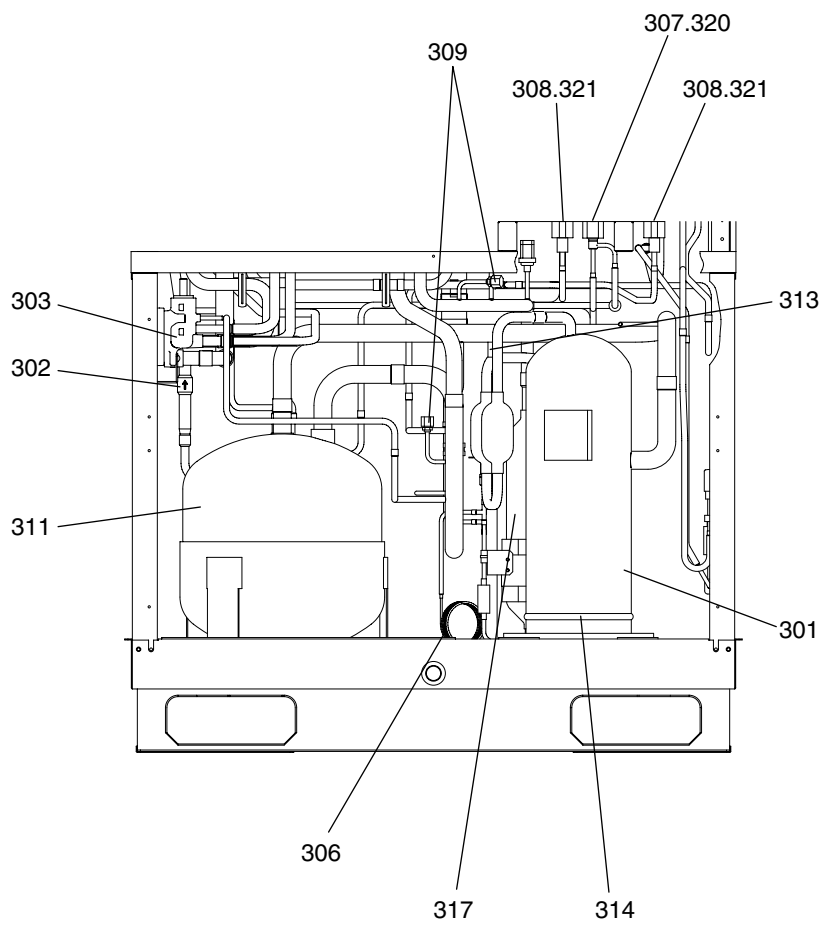
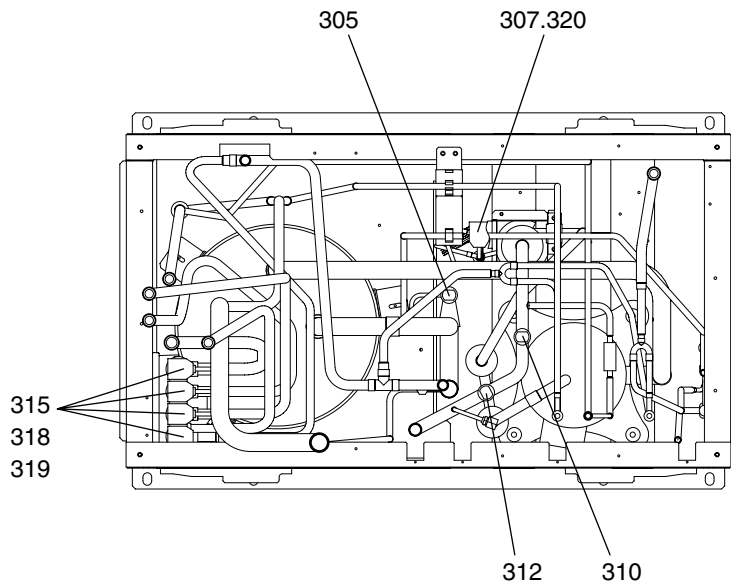
No.	Part No.	G : RoHS Apply Only W : RoHS Apply by Running Change		Spec.	PQHY-P200YGM-A	PQHY-P250YGM-A	Dwg. No.	Price	Revision History
			Part Name						
101	R63 4F3 651	G	Front panel 1 assy		1	1	W660979G01		B
102	R63 4F3 652	G	Front panel 2 assy		1	1	W660980G03		B
103	R63 4F3 661	G	Side panel R assy		1	1	W660977G02		B
104	R63 4F3 662	G	Side panel L assy		1	1	W660978G02		B
105	R63 4F3 678	G	Rear panel 1 assy		1	1	W660981G01		B
106	R63 4F3 676	G	Rear panel 2 assy		1	1	W660982G02		B
107	R63 4F3 642	G	Top panel		1	1	W659887H01		B



No.	Part No.	G : RoHS Apply Only W : RoHS Apply by Running Change		Spec.	PQHY-P200YGM-A	PQHY-P250YGM-A	Dwg. No.	Price	Revision History
			Part Name						
201	R63 9F5 418	G	Check valve block assy		1	1	W278607G01		B
202	R63 Y05 154	G	Four way valve	STF-07	1	1	P633119X01		B
203	R63 R43 418	G	Check valve		1	1	P639165X01		B
204	R63 R40 410	G	Ball valve		1	1	P636309X02		B
205	R63 R37 410	G	Ball valve		1	1	P636305X01		B
206	R63 4F3 480	G	Heat exchanger		1	1	W278600G02		B
207	R63 670 202	G	Thermistor	NTH3A14 <TH5--9,INV>	6	6	P425496X01		B
208	R63 Y16 243	G	Four way valve coil	<21S4a>	1	1	P472024X01		B
209	R63 0G9 480	G	Heat exchanger assy		1		W278616G05		B
210	R63 1G0 480	G	Heat exchanger assy			1	W278616G06		B
211	R63 0G9 441	G	Pipe assy		1		W663334G01		B
212	R63 9F2 441	G	Pipe assy			1	W663334G02		B
213	R61 F14 514	G	Packing		1	1	P321009X01		B
214	R63 Y48 305	G	Control box	WY-P250	1	1	W278127G01		B
215	R63 G03 287	G	Sensor cover	EVA(9.52D)	1	1	P227223X01		B
216	R63 R34 401	G	Linear expansion valve	CAM35	1	1	P632416X01		B
217	R63 R34 243	G	Solenoid valve coil	<LEV1>	1	1	P472008X02		B

PQHY-P200YGM-A
PQHY-P250YGM-A

FUNCTIONAL PARTS (2)

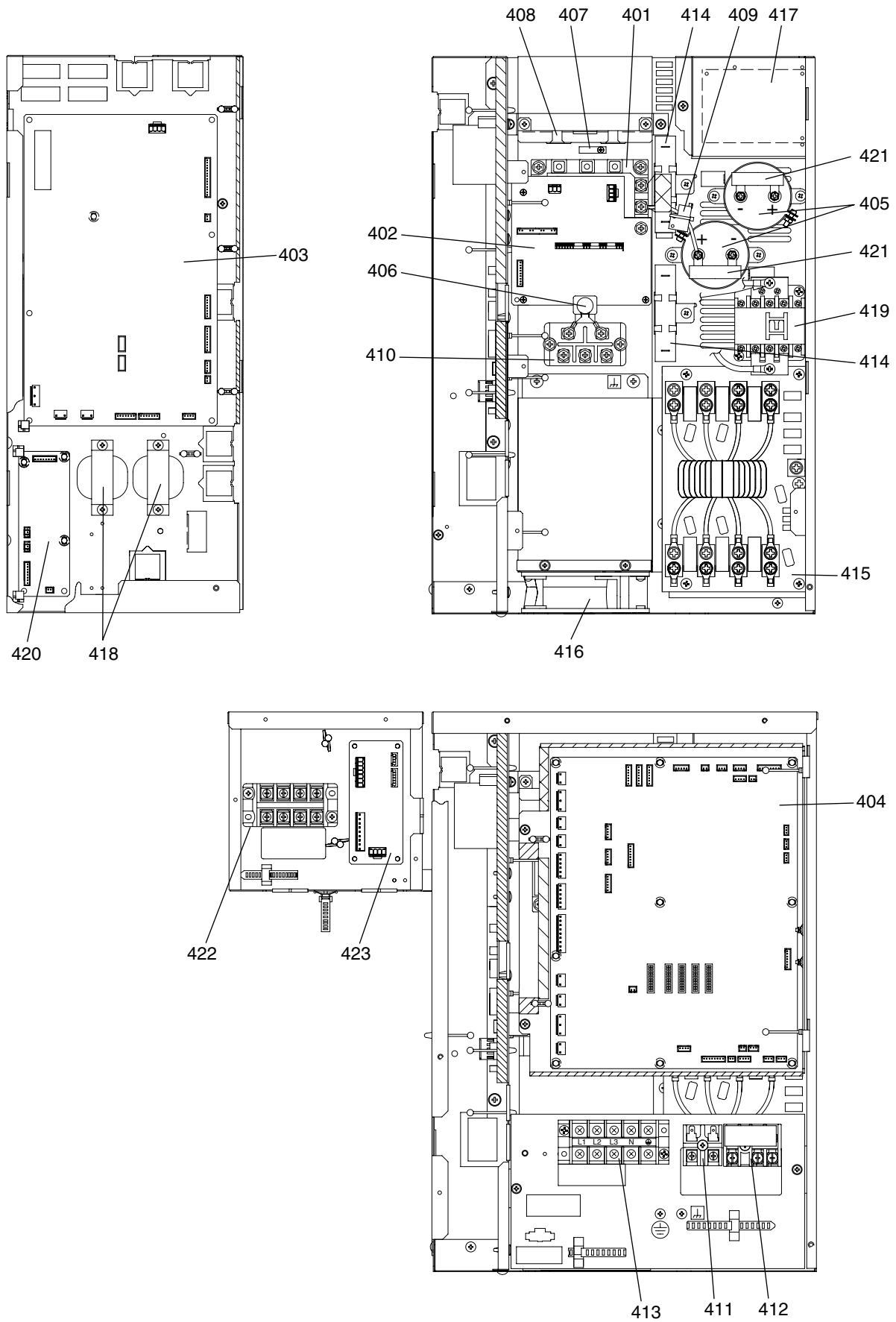


A

No.	Part No.	G : RoHS Apply Only W : RoHS Apply by Running Change		Spec.	PQHY-P200YGM-A	PQHY-P250YGM-A		Dwg. No.	Price	Revision History
			Part Name							
301	R66 A44 478	G	Scroll compressor	HNB71FA-YBE <MC>	1	1		EP10092G07		B
302	R63 R43 418	G	Check valve		1	1		P639165X01		B
303	R63 6A7 232	G	Solenoid valve block assy		1	1		W654369G02		B
304	R63 R34 401	G	Linear expansion valve	CAM35	1	1		P632416X01		B
305	R63 R37 288	G	Pressure sensor	<63LS>	1	1		P418014X01		B
306	R63 R34 425	G	Capillary tube assy		1	1		W905625G02		B
307	R61 024 232	G	Solenoid valve	<SV1,SV7c>	2	2		KB00H253G03		B
308	R63 4F3 232	G	Solenoid valve	<SV7a,SV7b>	2	2		P631290X01		B
309	R63 R34 413	G	Check joint		2	2		P666001X01		B
310	R63 R34 288	G	Pressure sensor	<63HS>	1	1		P418015X01		B
311	R63 Y53 484	G	Accumulator assy		1	1		W274166G09		B
312	R63 Y11 208	G	Pressure switch	<63H>	1	1		P426320X01		B
313	R63 911 202	G	Thermistor	<TH11>	1	1		P425416X02		B
314	R63 Y07 237	G	Belt heater	<CH1>	1	1		P493781X02		B
315	R63 Y18 243	G	Solenoid valve coil	<SV4a-4d>	4	4		P472012X01		B
316	R63 4F3 401	G	Solenoid valve coil	<LEV2>	1	1		P472026X02		B
317	R63 4F3 487	G	Oil separator assy		1	1		W661800G03		B
318	R63 6A7 235	G	Solenoid valve ACS		4	4		P631285X01		B
319	R63 6A7 245	G	Fasten part for solenoid valve		1	1		W909209G01		B
320	R61 009 243	G	Solenoid valve coil	<SV1,SV7c>	2	2		W875295G08		B
321	R63 Y18 243	G	Solenoid valve coil	<SV7a,SV7b>	2	2		P472012X01		B

PQHY-P200YGM-A
PQHY-P250YGM-A

CONTROL BOX PARTS



No.	Part No.	G : RoHS Apply Only W : RoHS Apply by Running Change		Spec.	PQHY-P200YGM-A	PQHY-P250YGM-A		Dwg. No.	Price	Revision History
			Part Name							
401	R63 Y04 249	G	IPM (Power module)	6MBP50RA120	1	1		W848413G10		B
402	R63 Y43 280	G	G/A board		1	1		W652112G02		B
403	R63 Y25 321	G	INV board		1	1		W647875G04		B
404	R63 Y73 281	G	Main board		1	1		W647876G27		B
405	R63 R34 252	G	Capacitor	400V 3300 μ F <C1,C2>	2	2		P412293X01		B
406	R63 L85 252	G	Capacitor assy	<ZNR4>	1	1		W886345G01		B
407	R63 F14 201	G	Thermistor	<THHS>	1	1		P414095X01		B
408	R63 N79 289	G	AC current sensor	CHJ038CP2B<ACCT>	1	1		P418002X01		B
409	R63 A42 289	G	DC current sensor	<DCCT>	1	1		P419079X02		B
410	R63 Y12 320	G	Diode	DF60LB160 <DS>	1	1		W876941G06		B
411	R61 008 246	G	Terminal block	<TB3>	1	1		BA73S950H02		B
412	R63 979 247	G	Terminal block	<TB7>	1	1		P436110X01		B
413	R63 Y05 246	G	Terminal block	<TB1>	1	1		P436151X01		B
414	R63 Y06 234	G	Resistor	40W, 47 Ω <R1,R2>	2	2		P411141X01		B
415	R63 Y14 293	G	Noise filter	<ACNF>	1	1		P417015X01		B
416	R63 Y02 300	G	Fan	109S025UL <MF1>	1	1		P712360X01		B
417	R63 Y02 259	G	Reactor	<DCL>	1	1		P715427X01		B
418	R63 002 923	G	Choke coil	12mH 2A <L1,L2>	2	2		P715421X01		B
419	R63 Y28 225	G	Magnet contactor	PAK-21J, AC240V <52C>	1	1		S427020H12		B
420	R63 Y26 321	G	Filter board		1	1		W629574G06		B
421	R63 Y04 234	G	Resistor	<R3,R4>	2	2		P411124X01		B
422	R63 Y07 246	G	Terminal block	<TB8>	1	1		P436229X01		B
423	R63 Y55 280	G	Relay board		1	1		W629574G01		B

