

SERVICE PARTS LIST FOR MITSUBISHI ELECTRIC PACKAGED AIR-CONDITIONERS

Series : PQRV-P·YGM-A

For use with the R410A

REVISED

June 2007

BWE0519B

INDEX

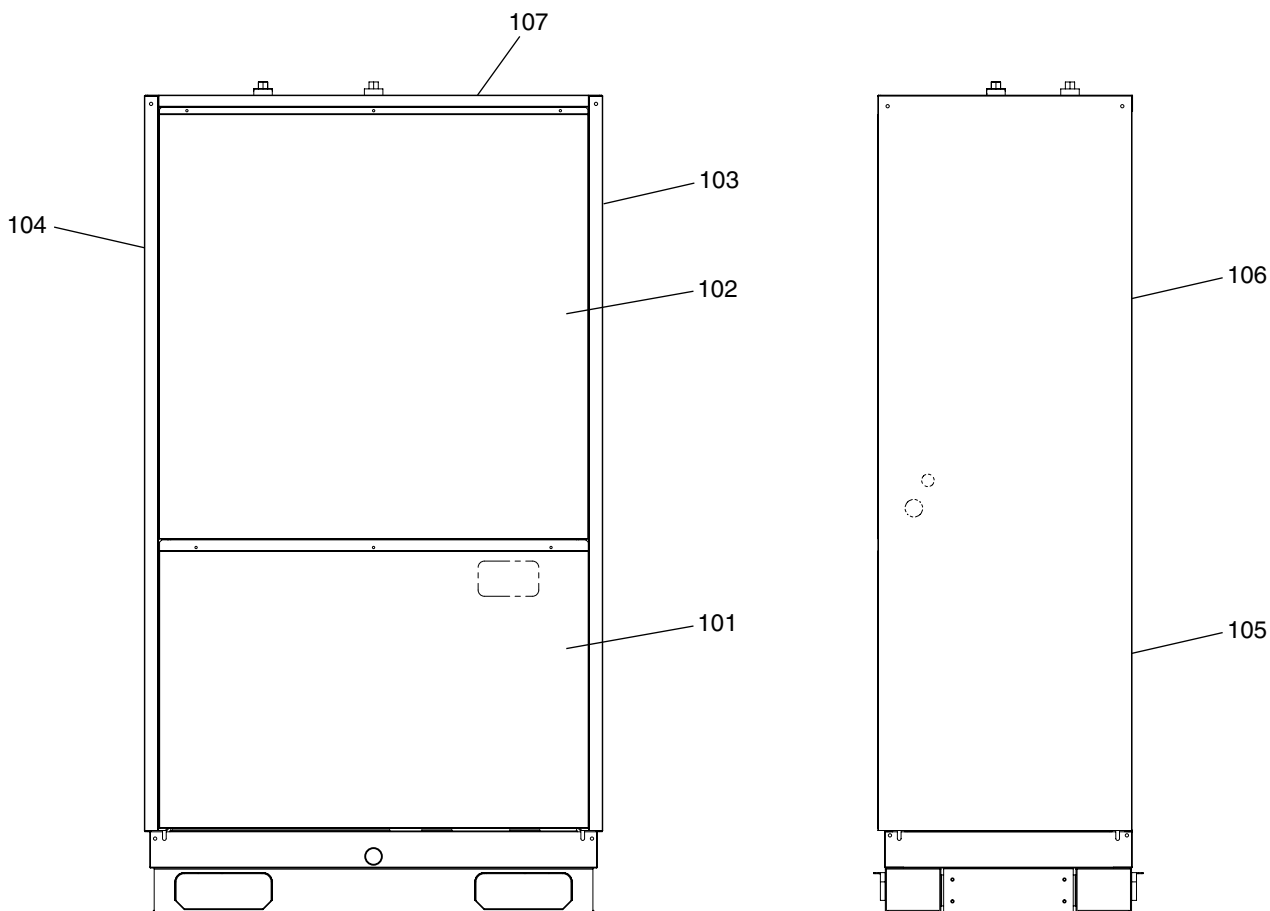
PQRV-P200YGM-A

PQRV-P250YGM-A

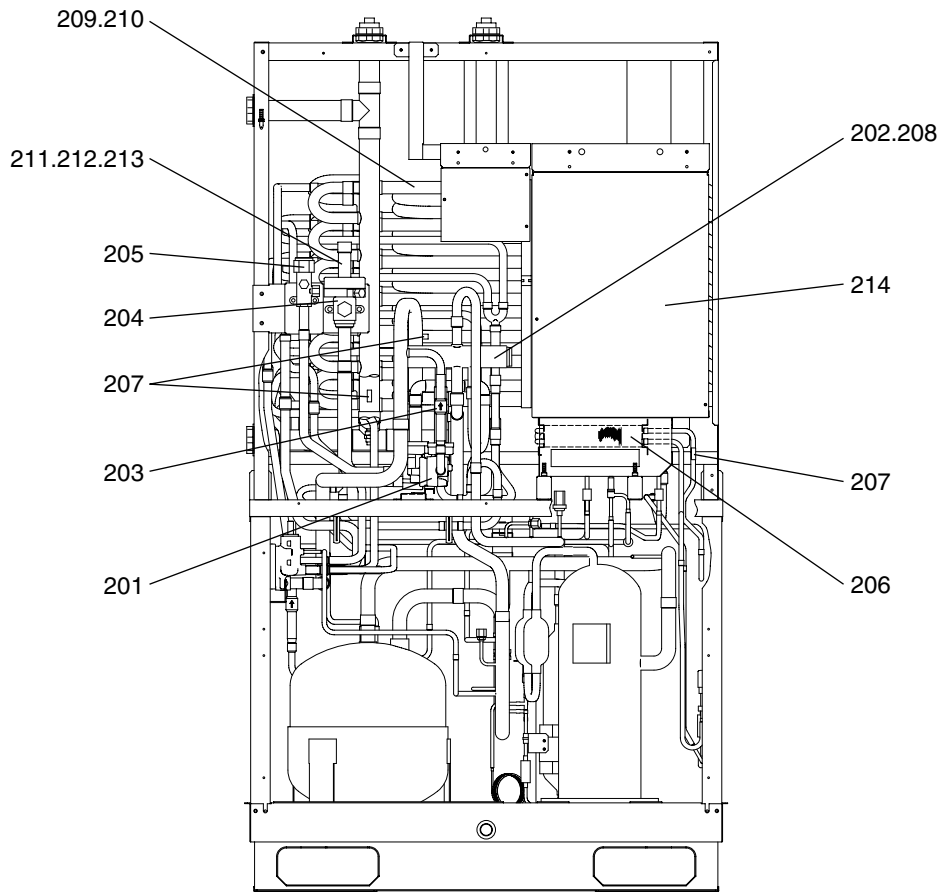


PQRY-P200YGM-A
PQRY-P250YGM-A

EXTERNAL PARTS



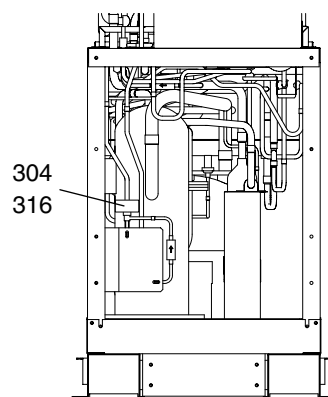
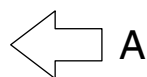
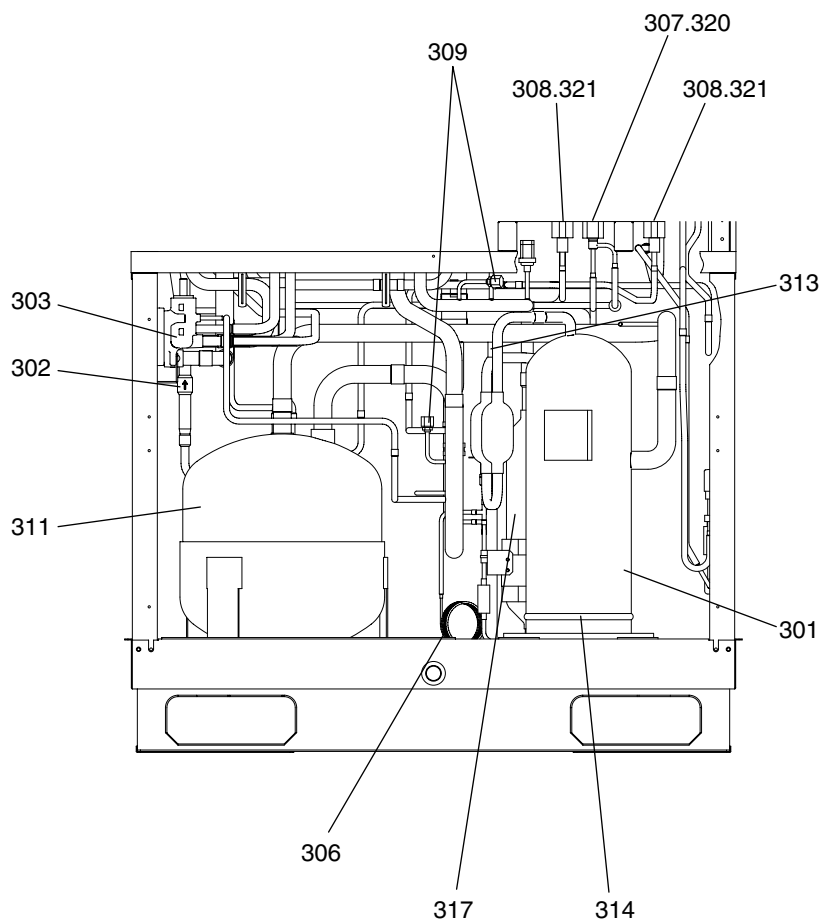
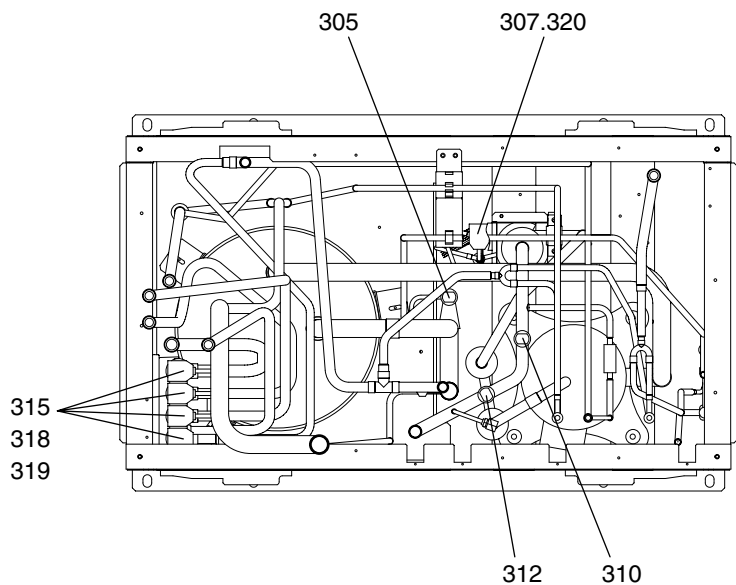
No.	Part No.	G : RoHS Apply Only W : RoHS Apply by Running Change		Spec.	PQRY-P200YGM-A	PQRY-P250YGM-A			Dwg. No.	Price	Revision History
			Part Name								
101	R63 4F3 651	G	Front panel 1 assy		1	1			W660979G01		B
102	R63 4F3 652	G	Front panel 2 assy		1	1			W660980G03		B
103	R63 4F3 661	G	Side panel R assy		1	1			W660977G02		B
104	R63 4F3 662	G	Side panel L assy		1	1			W660978G02		B
105	R63 4F3 678	G	Rear panel 1 assy		1	1			W660981G01		B
106	R63 4F3 676	G	Rear panel 2 assy		1	1			W660982G02		B
107	R63 4F3 642	G	Top panel		1	1			W659887H01		B



No.	Part No.	G : RoHS Apply Only W : RoHS Apply by Running Change		Spec.	PQRY-P200YGM-A	PQRY-P250YGM-A	Dwg. No.	Price	Revision History
			Part Name						
201	R63 6A7 418	G	Check valve block assy		1	1	W276816G01		B
202	R63 Y05 154	G	Four way valve	STF-07	1	1	P633119X01		B
203	R63 R43 418	G	Check valve		1	1	P639165X01		B
204	R63 R40 410	G	Ball valve		1	1	P636309X02		B
205	R63 R34 410	G	Ball valve		1	1	P636308X01		B
206	R63 4F3 480	G	Heat exchanger		1	1	W278600G02		B
207	R63 670 202	G	Thermistor	NTH3A14 <TH6,INV,TH9>	3	3	P425496X01		B
208	R63 Y16 243	G	Four way valve coil	<21S4a>	1	1	P472024X01		B
209	R63 4F3 481	G	Heat exchanger assy		1		W277980G04		B
210	R63 4F4 481	G	Heat exchanger assy			1	W277323G04		B
211	R63 0G9 441	G	Pipe assy		1		W663334G01		B
212	R63 9F2 441	G	Pipe assy			1	W663334G02		B
213	R61 F14 514	G	Packing		1	1	P321009X01		B
214	R63 Y48 305	G	Control box	WR-P250	1	1	W278127G01		B

PQRY-P200YGM-A
PQRY-P250YGM-A

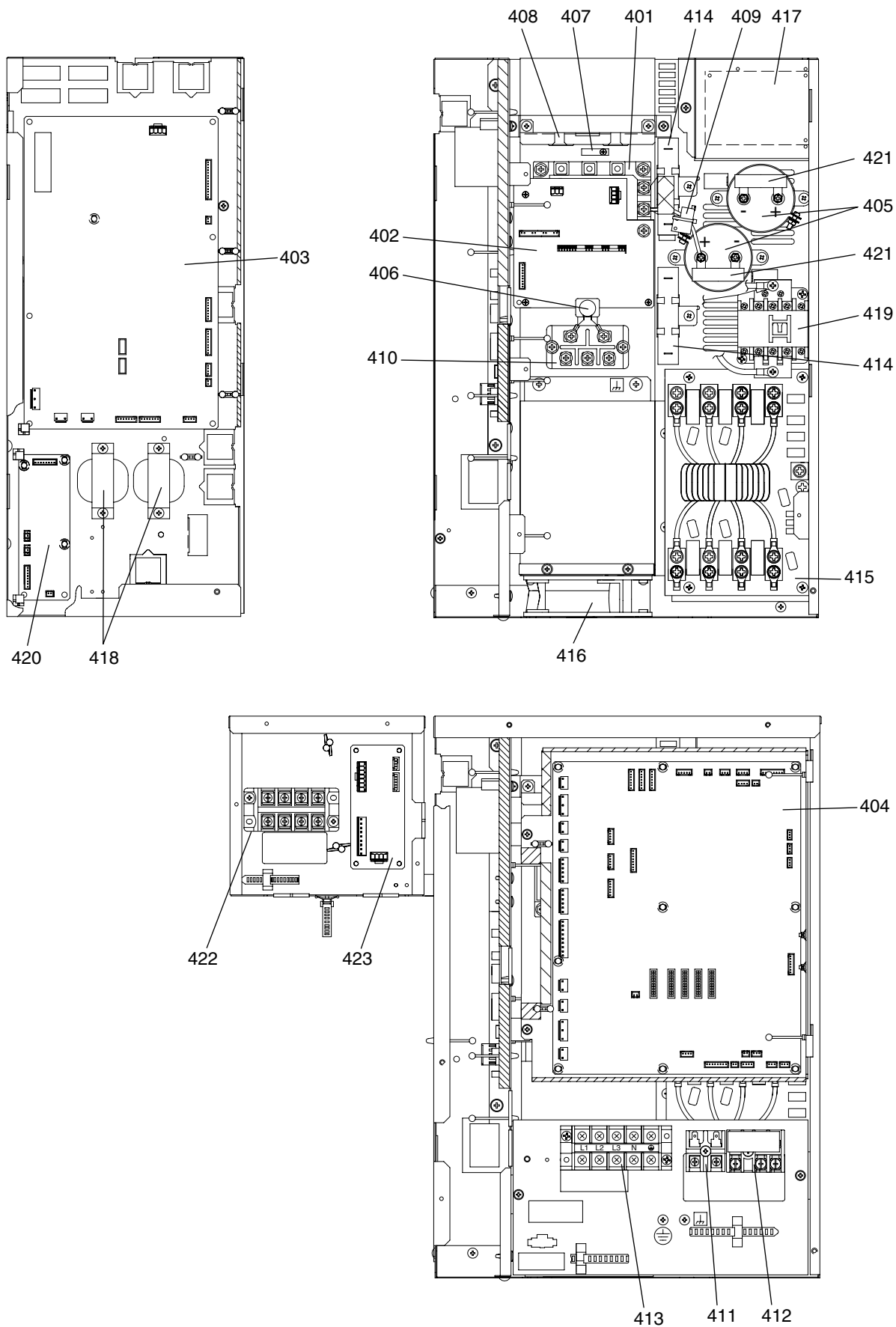
FUNCTIONAL PARTS (2)



A

PQRY-P200YGM-A
PQRY-P250YGM-A

CONTROL BOX PARTS



CONTROL BOX PARTS

No.	Part No.	G : RoHS Apply Only W : RoHS Apply by Running Change	Part Name	Spec.	PQRY-P200YGM-A	PQRY-P250YGM-A			Dwg. No.	Price	Revision History
401	R63 Y04 249	G	IPM (Power module)	6MBP50RA120	1	1			W848413G10		B
402	R63 Y43 280	G	G/A board		1	1			W652112G02		B
403	R63 Y25 321	G	INV board		1	1			W647875G04		B
404	R63 Y73 281	G	Main board		1	1			W647876G27		B
405	R63 R34 252	G	Capacitor	400V 3300 μ F <C1,C2>	2	2			P412293X01		B
406	R63 L85 252	G	Capacitor assy	<ZNR4>	1	1			W886345G01		B
407	R63 F14 201	G	Thermistor	<THHS>	1	1			P414095X01		B
408	R63 N79 289	G	AC current sensor	CHJ038CP2B<ACCT>	1	1			P418002X01		B
409	R63 A42 289	G	DC current sensor	<DCCT>	1	1			P419079X02		B
410	R63 Y12 320	G	Diode	DF60LB160 <DS>	1	1			W876941G06		B
411	R61 008 246	G	Terminal block	<TB3>	1	1			BA73S950H02		B
412	R63 979 247	G	Terminal block	<TB7>	1	1			P436110X01		B
413	R63 Y05 246	G	Terminal block	<TB1>	1	1			P436151X01		B
414	R63 Y06 234	G	Resistor	40W, 47 Ω <R1,R2>	2	2			P411141X01		B
415	R63 Y14 293	G	Noise filter	<ACNF>	1	1			P417015X01		B
416	R63 Y02 300	G	Fan	109S025UL <MF1>	1	1			P712360X01		B
417	R63 Y02 259	G	Reactor	<DCL>	1	1			P715427X01		B
418	R63 002 923	G	Choke coil	12mH 2A <L1,L2>	2	2			P715421X01		B
419	R63 Y28 225	G	Magnet contactor	PAK-21J, AC240V <52C>	1	1			S427020H12		B
420	R63 Y26 321	G	Filter board		1	1			W629574G06		B
421	R63 Y04 234	G	Resistor	<R3,R4>	2	2			P411124X01		B
422	R63 Y07 246	G	Terminal block	<TB8>	1	1			P436229X01		B
423	R63 Y55 280	G	Relay board		1	1			W629574G01		B

