

# SERVICE PARTS LIST FOR MITSUBISHI ELECTRIC PACKAGED AIR-CONDITIONERS

**Series : PUHY-(E)P·Y(S)HM-A(-BS)**

**For use with the R410A**

**RIVISED**

**Oct. 2007**

**BWE0701A**

## INDEX

**PUHY-P200YHM-A(-BS)**  
**PUHY-P250YHM-A(-BS)**  
**PUHY-P300YHM-A(-BS)**  
**PUHY-P350YHM-A(-BS)**  
**PUHY-P400YHM-A(-BS)**  
**PUHY-P450YHM-A(-BS)**  
**PUHY-EP200YHM-A(-BS)**  
**PUHY-EP300YHM-A(-BS)**

Refer to the next page for the package names.



## The Package name list

**PUHY-P500YSHM-A(-BS)** [PUHY-P250YHM-A(-BS) + PUHY-P250YHM-A(-BS)]

**PUHY-P550YSHM-A(-BS)** [PUHY-P250YHM-A(-BS) + PUHY-P300YHM-A(-BS)]

**PUHY-P600YSHM-A(-BS)** [PUHY-P250YHM-A(-BS) + PUHY-P350YHM-A(-BS)]

**PUHY-P650YSHM-A(-BS)** [PUHY-P300YHM-A(-BS) + PUHY-P350YHM-A(-BS)]

**PUHY-P700YSHM-A(-BS)** [PUHY-P350YHM-A(-BS) + PUHY-P350YHM-A(-BS)]

**PUHY-P750YSHM-A(-BS)** [PUHY-P350YHM-A(-BS) + PUHY-P400YHM-A(-BS)]

**PUHY-P800YSHM-A(-BS)** [PUHY-P350YHM-A(-BS) + PUHY-P450YHM-A(-BS)]

**PUHY-P850YSHM-A(-BS)** [PUHY-P400YHM-A(-BS) + PUHY-P450YHM-A(-BS)]

**PUHY-P900YSHM-A(-BS)** [PUHY-P450YHM-A(-BS) + PUHY-P450YHM-A(-BS)]

**PUHY-P950YSHM-A(-BS)** [PUHY-P250YHM-A(-BS) + PUHY-P300YHM-A(-BS) + PUHY-P400YHM-A(-BS)]

**PUHY-P1000YSHM-A(-BS)** [PUHY-P300YHM-A(-BS) + PUHY-P300YHM-A(-BS) + PUHY-P400YHM-A(-BS)]

**PUHY-P1050YSHM-A(-BS)** [PUHY-P300YHM-A(-BS) + PUHY-P350YHM-A(-BS) + PUHY-P400YHM-A(-BS)]

**PUHY-P1100YSHM-A(-BS)** [PUHY-P350YHM-A(-BS) + PUHY-P350YHM-A(-BS) + PUHY-P400YHM-A(-BS)]

**PUHY-P1150YSHM-A(-BS)** [PUHY-P350YHM-A(-BS) + PUHY-P350YHM-A(-BS) + PUHY-P450YHM-A(-BS)]

**PUHY-P1200YSHM-A(-BS)** [PUHY-P350YHM-A(-BS) + PUHY-P400YHM-A(-BS) + PUHY-P450YHM-A(-BS)]

**PUHY-P1250YSHM-A(-BS)** [PUHY-P350YHM-A(-BS) + PUHY-P450YHM-A(-BS) + PUHY-P450YHM-A(-BS)]

**PUHY-EP400YSHM-A(-BS)** [PUHY-EP200YHM-A(-BS) + PUHY-EP200YHM-A(-BS)]

**PUHY-EP450YSHM-A(-BS)** [PUHY-EP200YHM-A(-BS) + PUHY-P250YHM-A(-BS)]

**PUHY-EP500YSHM-A(-BS)** [PUHY-EP200YHM-A(-BS) + PUHY-EP300YHM-A(-BS)]

**PUHY-EP550YSHM-A(-BS)** [PUHY-P250YHM-A(-BS) + PUHY-EP300YHM-A(-BS)]

**PUHY-EP600YSHM-A(-BS)** [PUHY-EP300YHM-A(-BS) + PUHY-EP300YHM-A(-BS)]

**PUHY-EP650YSHM-A(-BS)** [PUHY-EP300YHM-A(-BS) + PUHY-P350YHM-A(-BS)]

**PUHY-EP700YSHM-A(-BS)** [PUHY-EP200YHM-A(-BS) + PUHY-EP200YHM-A(-BS) + PUHY-EP300YHM-A(-BS)]

**PUHY-EP750YSHM-A(-BS)** [PUHY-EP200YHM-A(-BS) + PUHY-P250YHM-A(-BS) + PUHY-EP300YHM-A(-BS)]

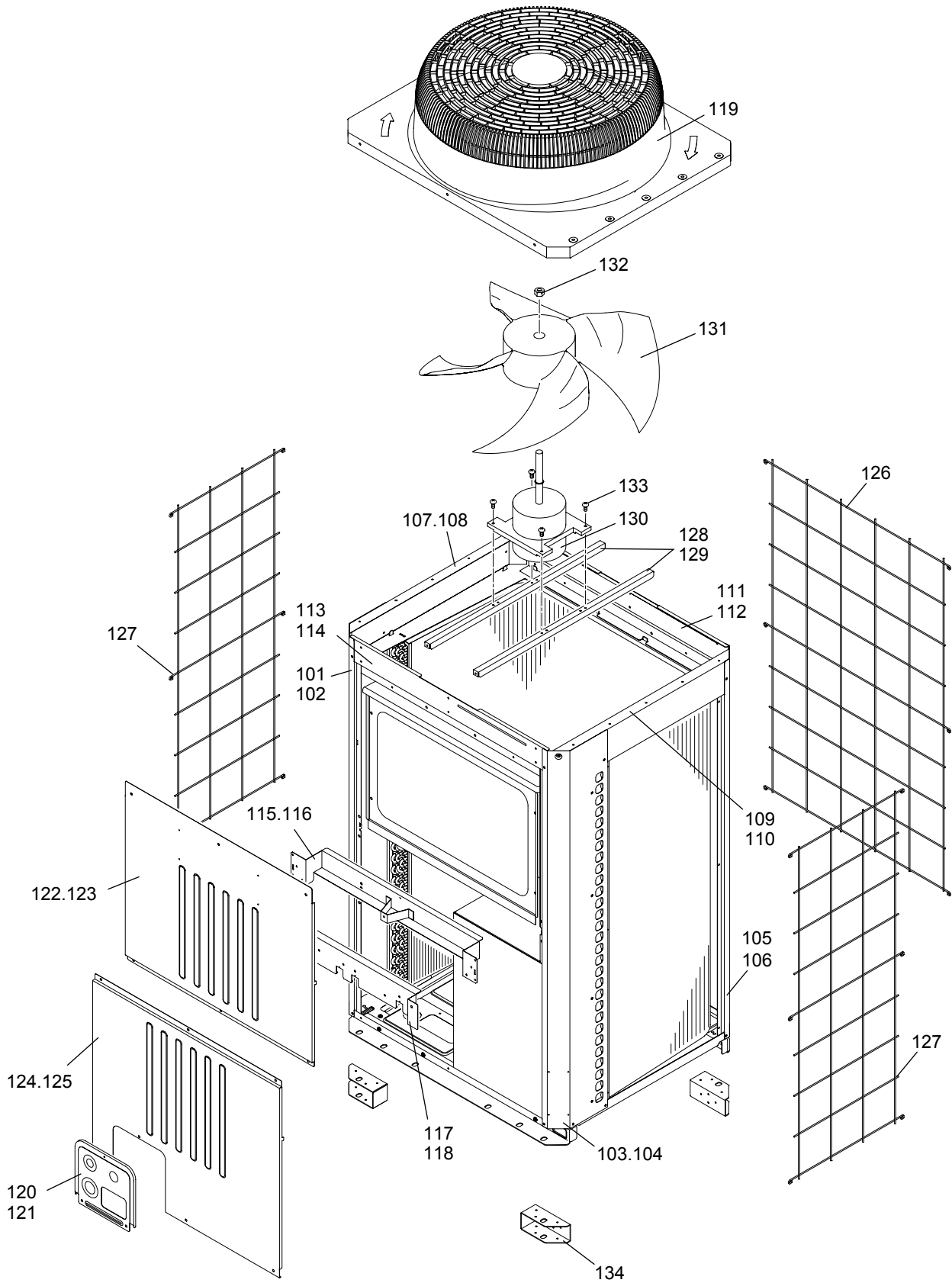
**PUHY-EP800YSHM-A(-BS)** [PUHY-EP200YHM-A(-BS) + PUHY-EP300YHM-A(-BS) + PUHY-EP300YHM-A(-BS)]

**PUHY-EP850YSHM-A(-BS)** [PUHY-P250YHM-A(-BS) + PUHY-EP300YHM-A(-BS) + PUHY-EP300YHM-A(-BS)]

**PUHY-EP900YSHM-A(-BS)** [PUHY-EP300YHM-A(-BS) + PUHY-EP300YHM-A(-BS) + PUHY-EP300YHM-A(-BS)]

PUHY-P200,P250,P300YHM-A(-BS)  
PUHY-EP200YHM-A(-BS)

### EXTERNAL PARTS & BLOWER PARTS (1)

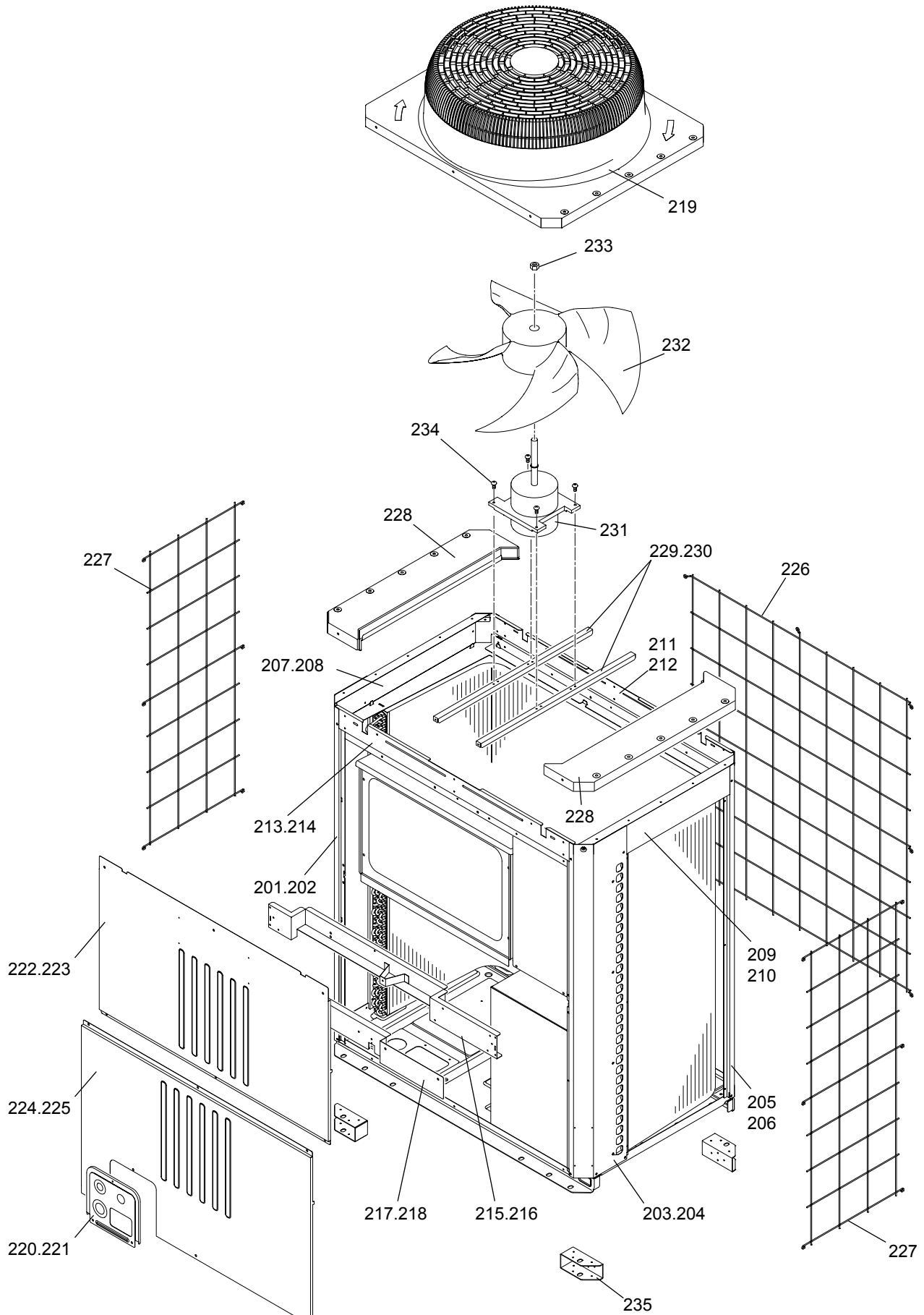






PUHY-P350,P400,P450YHM-A(-BS)  
PUHY-EP300YHM-A(-BS)

EXTERNAL PARTS & BLOWER PARTS (2)



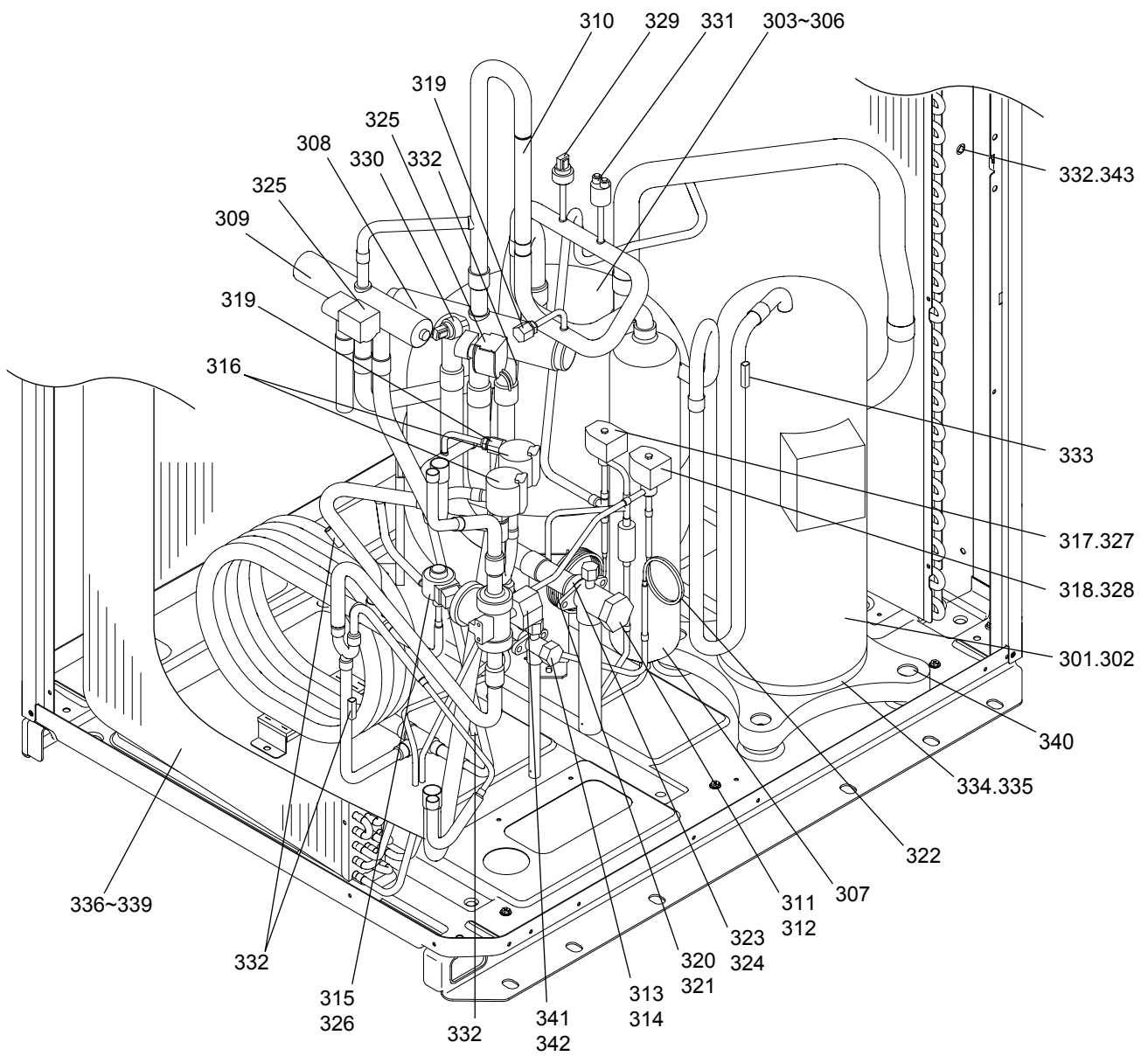






PUHY-P200,P250,P300YHM-A(-BS)  
 PUHY-EP200YHM-A(-BS)

FUNCTIONAL PARTS (1)



PUHY-P200,P250,P300YHM-A(-BS)  
 PUHY-EP200YHM-A(-BS)

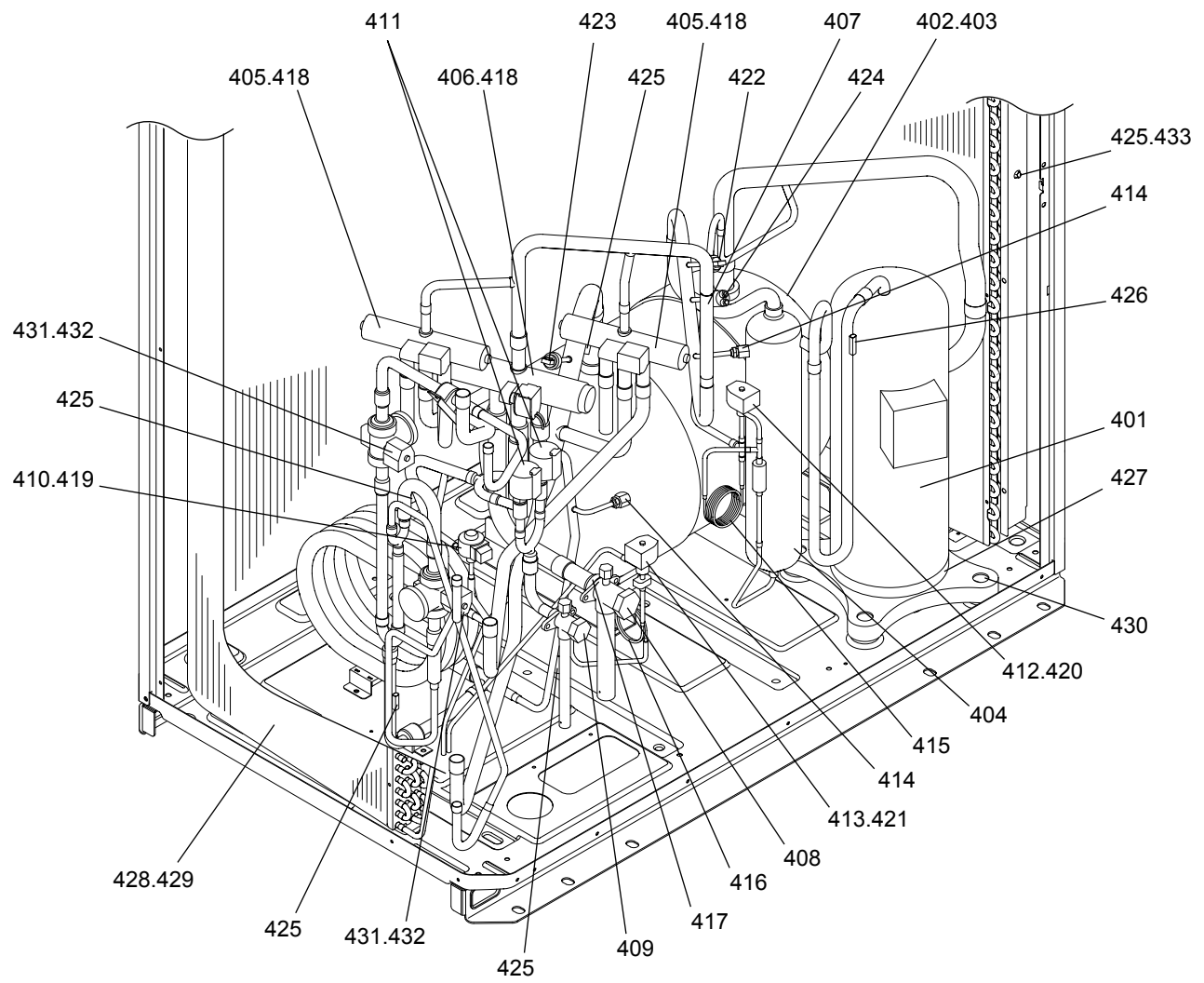
FUNCTIONAL PARTS (1)

No.	Part No.	G : RoHS Apply Only W : RoHS Apply by Running Change		Spec.	PUHY-P200YHM-A	PUHY-P200YHM-A-BS	PUHY-P250YHM-A	PUHY-P250YHM-A-BS	PUHY-P300YHM-A	PUHY-P300YHM-A-BS	Dwg. No.	Price	Revision History
			Part Name										
301	R69 023 478	G	Scroll compressor	ENB52FA-YE	1	1	1	1			EP10107B03		
302	R66 A44 478	G	Scroll compressor	HNB71FA-YBE					1	1	EP10092G07		
303	R61 006 484	G	Accumulator assy		1		1				KB54B477G01		
304	R61 007 484	G	Accumulator assy	BS		1		1			KB54B477G02		
305	R61 008 484	G	Accumulator assy						1		KB54B478G01		
306	R61 009 484	G	Accumulator assy	BS						1	KB54B478G02		
307	R61 005 487	G	Oil separator assy		1	1	1	1	1	1	KB00G667G01		
308	R63 Y05 154	G	Four way valve	STF-07	1	1	1	1	1	1	P633119X01		
309	R63 R55 154	G	Four way valve	STF04	1	1	1	1	1	1	P633118X01		
310	R63 R43 418	G	Check valve	BCV-1005	1	1	1	1	1	1	P639165X01		
311	R61 001 540	G	Valve	VSAMH7SSCM-A	1	1					P636342X01		
312	R61 002 540	G	Valve	VSAMH8SSCM-A			1	1	1	1	P636343X01		
313	R61 003 540	G	Valve	VSAMH3SSCM-LA1	1	1	1	1			P636346X01		
314	R61 004 540	G	Valve	VSAMH4SSCM-LA1					1	1	P636345X01		
315	R63 4H6 401	G	Linear expansion valve	CAM35-S	1	1	1	1	1	1	P632444X01		
316	R63 4H7 401	G	Linear expansion valve	EBM-A XA <LEV2a,LEV2b>	2	2	2	2	2	2	P632445X01		
317	R63 P90 232	G	Solenoid valve	VPV-152D	1	1	1	1	1	1	P631277X01		
318	R63 Y07 232	G	Solenoid valve	ATS-A	1	1	1	1	1	1	P631291X01		
319	R63 R34 413	G	Check joint L	R410A	2	2	2	2	2	2	P666001X01		
320	R63 002 425	G	Capillary tube assy		1	1	1	1			KB49F229G01		
321	R63 R34 425	G	Capillary tube assy						1	1	W905625G02		
322	R61 003 425	G	Capillary tube assy		1	1	1	1	1	1	KB49F761G01		
323	R63 4H6 454	G	Strainer	19.05D	1	1					P641128X01		
324	R63 5H4 454	G	Strainer	25.4D			1	1	1	1	P641125X01		
325	R63 Y16 243	G	Four way valve coil	STF DV <21S4a,21S4b>	2	2	2	2	2	2	P472024X01		
326	R63 4H6 402	G	Linear expansion valve coil	CAM <LEV1>	1	1	1	1	1	1	P472035X02		
327	R61 006 243	G	Solenoid valve coil	VPV Y <SV1a>	1	1	1	1	1	1	P472046X01		
328	R63 Y18 243	G	Solenoid valve coil	<SV9>	1	1	1	1	1	1	P472012X01		
329	R61 T01 227	G	Pressure sensor	HP <63HS1>	1	1	1	1	1	1	KB00F899G01		A
330	R61 T01 228	G	Pressure sensor	LP <63LS>	1	1	1	1	1	1	KB00F899G02		A
331	R63 Y11 208	G	Pressure switch	ACB1UB28W <63H1>	1	1	1	1	1	1	P426320X01		
332	R63 670 202	G	Thermistor	MDW103H <TH2,TH3,TH5~7>	5	5	5	5	5	5	P425496X01		
333	R63 911 202	G	Thermistor	<TH4>	1	1	1	1	1	1	P425416X02		
334	R61 003 237	G	Belt heater	240V 35W	1	1	1	1			P497051X01		
335	R63 Y07 237	G	Belt heater	240V 45W					1	1	P493781X02		
336	R61 105 480	G	Heat exchanger assy	2L	1						KB01G561G01		
337	R61 096 480	G	Heat exchanger assy	2L BS		1					KB01G561G02		
338	R61 097 480	G	Heat exchanger assy	3L			1		1		KB01G562G01		
339	R61 100 480	G	Heat exchanger assy	3L BS				1		1	KB01G562G02		
340	R63 852 860	G	Rubber mount	For compressor	4	4	4	4	4	4	W897574H01		
341	R63 P89 232	G	Solenoid valve	SR6PF-06WR	1	1	1	1	1	1	P631278X01		
342	R61 007 243	G	Solenoid valve coil	SR10D <SV5b>	1	1	1	1	1	1	P472030X02		A
343	R61 001 310	G	Sensor holder		1	1	1	1	1	1	KB25B471G02		

PUHY-P200,P250,P300YHM-A(-BS)  
 PUHY-EP200YHM-A(-BS)

FUNCTIONAL PARTS (1)

No.	Part No.	G : RoHS Apply Only W : RoHS Apply by Running Change		Spec.	PUHY-EP200YHM-A	PUHY-EP200YHM-A-BS				Dwg. No.	Price	Revision History
			Part Name									
301	R69 023 478	G	Scroll compressor	ENB52FA-YE	1	1				EP10107B03		
302	R66 A44 478	G	Scroll compressor	HNB71FA-YBE						EP10092G07		
303	R61 006 484	G	Accumulator assy		1					KB54B477G01		
304	R61 007 484	G	Accumulator assy	BS		1				KB54B477G02		
305	R61 008 484	G	Accumulator assy							KB54B478G01		
306	R61 009 484	G	Accumulator assy	BS						KB54B478G02		
307	R61 005 487	G	Oil separator assy		1	1				KB00G667G01		
308	R63 Y05 154	G	Four way valve	STF-07	1	1				P633119X01		
309	R63 R55 154	G	Four way valve	STF04	1	1				P633118X01		
310	R63 R43 418	G	Check valve	BCV-1005	1	1				P639165X01		
311	R61 001 540	G	Valve	VSAMH7SSCM-A						P636342X01		
312	R61 002 540	G	Valve	VSAMH8SSCM-A	1	1				P636343X01		
313	R61 003 540	G	Valve	VSAMH3SSCM-LA1	1	1				P636346X01		
314	R61 004 540	G	Valve	VSAMH4SSCM-LA1						P636345X01		
315	R63 4H6 401	G	Linear expansion valve	CAM35-S	1	1				P632444X01		
316	R63 4H7 401	G	Linear expansion valve	EBM-A XA <LEV2a,LEV2b>	2	2				P632445X01		
317	R63 P90 232	G	Solenoid valve	VPV-152D	1	1				P631277X01		
318	R63 Y07 232	G	Solenoid valve	ATS-A	1	1				P631291X01		
319	R63 R34 413	G	Check joint L	R410A	2	2				P666001X01		
320	R63 002 425	G	Capillary tube assy		1	1				KB49F229G01		
321	R63 R34 425	G	Capillary tube assy							W905625G02		
322	R61 003 425	G	Capillary tube assy		1	1				KB49F761G01		
323	R63 4H6 454	G	Strainer	19.05D						P641128X01		
324	R63 5H4 454	G	Strainer	25.4D	1	1				P641125X01		
325	R63 Y16 243	G	Four way valve coil	STF DV <21S4a,21S4b>	2	2				P472024X01		
326	R63 4H6 402	G	Linear expansion valve coil	CAM <LEV1>	1	1				P472035X02		
327	R61 006 243	G	Solenoid valve coil	VPV Y <SV1a>	1	1				P472046X01		
328	R63 Y18 243	G	Solenoid valve coil	<SV9>	1	1				P472012X01		
329	R61 T01 227	G	Pressure sensor	HP <63HS1>	1	1				KB00F899G01		A
330	R61 T01 228	G	Pressure sensor	LP <63LS>	1	1				KB00F899G02		A
331	R63 Y11 208	G	Pressure switch	ACB1UB28W <63H1>	1	1				P426320X01		
332	R63 670 202	G	Thermistor	MDW103H <TH2,TH3,TH5~7>	5	5				P425496X01		
333	R63 911 202	G	Thermistor	<TH4>	1	1				P425416X02		
334	R61 003 237	G	Belt heater	240V 35W	1	1				P497051X01		
335	R63 Y07 237	G	Belt heater	240V 45W						P493781X02		
336	R61 105 480	G	Heat exchanger assy	2L						KB01G561G01		
337	R61 096 480	G	Heat exchanger assy	2L BS						KB01G561G02		
338	R61 097 480	G	Heat exchanger assy	3L	1					KB01G562G01		
339	R61 100 480	G	Heat exchanger assy	3L BS		1				KB01G562G02		
340	R63 852 860	G	Rubber mount	For compressor	4	4				W897574H01		
341	R63 P89 232	G	Solenoid valve	SR6PF-06WR	1	1				P631278X01		
342	R61 007 243	G	Solenoid valve coil	SR10D <SV5b>	1	1				P472030X02		A
343	R61 001 310	G	Sensor holder		1	1				KB25B471G02		







PUHY-P200,P250,P300YHM-A(-BS)  
PUHY-P350,P400,P450YHM-A(-BS)  
PUHY-EP200,EP300YHM-A(-BS)

CONTROL BOX PARTS

