

# SERVICE PARTS LIST FOR MITSUBISHI ELECTRIC PACKAGED AIR-CONDITIONERS

Series : PURY-EP·Y(S)HM-A(1)(-BS)

For use with the R410A

May. 2009

BWE09080

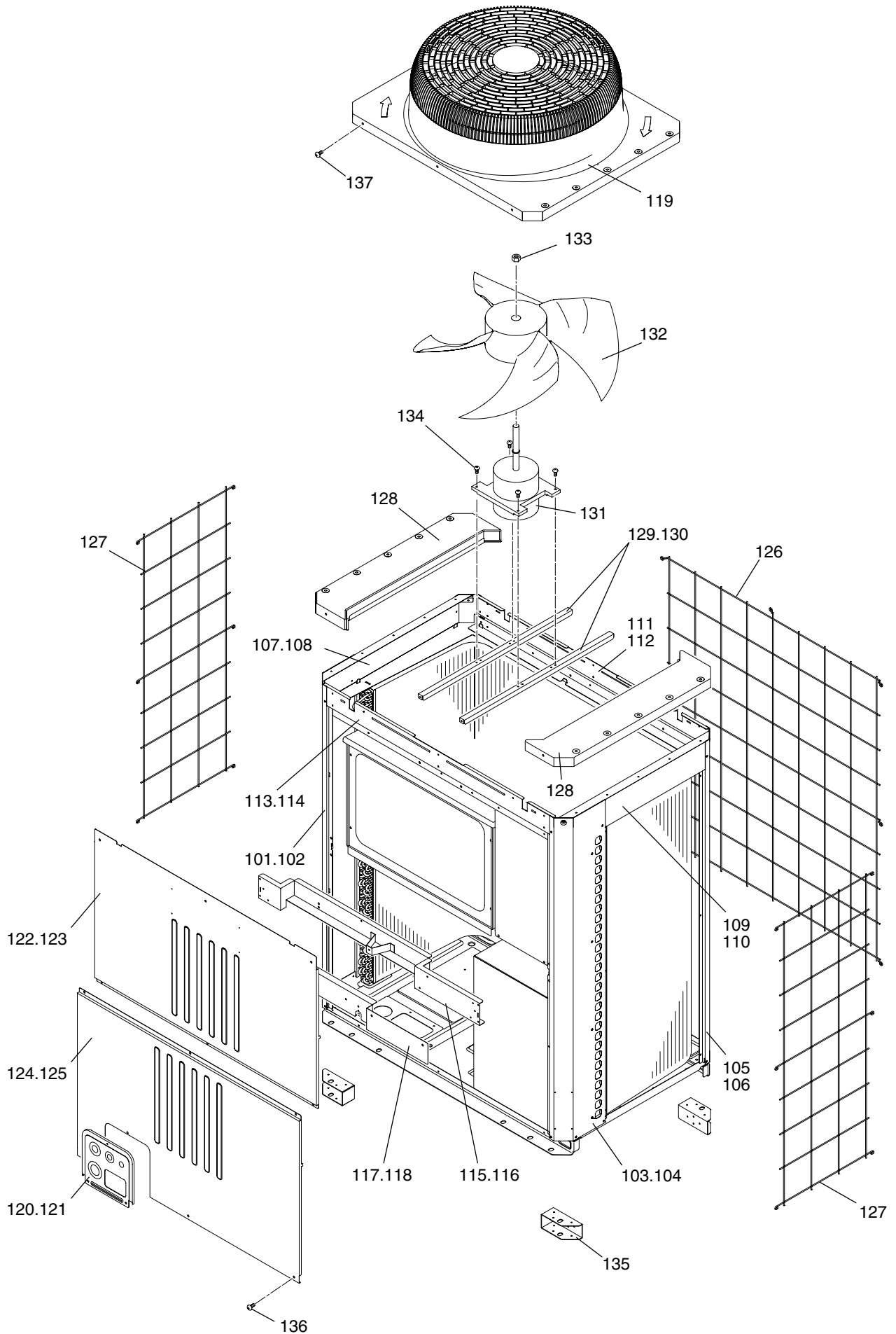
## INDEX

PURY-EP250YHM-A(-BS)

## The Package name list

PURY-EP450YSHM-A1(-BS) [PURY-EP200YHM-A(-BS) + PURY-EP250YHM-A(-BS)]

PURY-EP550YSHM-A1(-BS) [PURY-EP250YHM-A(-BS) + PURY-EP300YHM-A(-BS)]



No.	Part No.	G : RoHS Apply Only W : RoHS Apply by Running Change	Part Name	Spec.	PURY-EP250YHM-A	PURY-EP250YHM-A-BS						Dwg. No.	Price	Revision History
102	R63 002 626	G	Pillar LF	BS	1							KB02A011G06		
103	R63 003 626	G	Pillar RF		1							KB02A012G05		
104	R63 004 626	G	Pillar RF	BS	1							KB02A012G06		
105	R63 005 626	G	Pillar B		2							KB02A013G05		
106	R63 006 626	G	Pillar B	BS	2							KB02A013G06		
107	R63 005 111	G	Frame assy L		1							KB00C163G05		
108	R63 006 111	G	Frame assy L	BS	1							KB00C163G06		
109	R63 007 111	G	Frame assy R		1							KB00C164G05		
110	R63 008 111	G	Frame assy R	BS	1							KB00C164G06		
111	R63 019 111	G	Frame assy B	18HP	1							KB00C464G03		
112	R63 020 111	G	Frame assy B	18HP BS	1							KB00C464G04		
113	R63 021 111	G	Frame F	18HP	1							KB02B093H03		
114	R63 022 111	G	Frame FB	18HP BS	1							KB02B093G04		
115	R63 7H6 163	G	Frame assy MU	18HP	1							KB00C428G04		
116	R63 7H8 163	G	Frame assy MU	18HP BS	1							KB00C428G10		
117	R61 006 162	G	Frame assy MB	18HP	1							KB00L186G01		
118	R61 008 162	G	Frame assy MB	18HP BS	1							KB00L186G07		
119	R63 4H6 118	G	Fan guard		1	1						KB25A008G02		
120	R61 026 690	G	Piping cover	R2	1							KB02L001G01		
121	R61 027 690	G	Piping cover	R2 BS	1							KB02L001G02		
122	R61 051 651	G	Panel FU	18HP	1							KB02B402H01		
123	R63 7H8 651	G	Panel FU	18HP BS	1							KB02B402G02		
124	R61 005 652	G	Panel FB	18HP YHM-A	1							KB02B403H02		
125	R61 006 652	G	Panel FB	18HP YHM BS	1							KB02B403G03		
126	R61 006 611	G	Fin guard	B 18HP	1	1						KB07C377G02		
127	R63 005 611	G	Fin guard	LR	2	2						KB07C043G02		
128	R63 7H6 118	G	Fan guard cover		2	2						KB25B086G01		
129	R63 4H6 140	G	Base fan		2							KB02D050H01		
130	R63 4H7 140	G	Base fan	BS	2							KB02D050G01		
131	R63 033 220	G	Motor	YC920IA	1	1						P780109X01		
132	R63 4H6 300	G	Fan		1	1						KB25A009H02		
133	R63 4H6 122	G	Box nut	M12 CH	1	1						P552000X01		
134	R63 014 087	G	Upset Screw	6x10	4	4						P516047X01		
135	R61 016 130	G	Attachment leg		4	4						KB02T248G01		
*1	136	R63 007 087	G	H Screw	5x14 KNURLED (30 pcs)	4	4					KB00H418G02		
*2	137	R63 006 087	G	WFT Screw	5x12 (30 pcs)	2	2					KB00H418G01		

\*1: Each unit requires 100 H screws (Part No. 136).

\*2: Each unit requires 54 WFT screws (Part No. 137).

<To replace parts with the HEX removed>  
 Individual replacement of parts 210, 229, and 234 is possible.  
 <To replace parts without the HEX removed>  
 Replace parts 210, 229, and 234 with a service pipe assembly 235 (Figure 1).

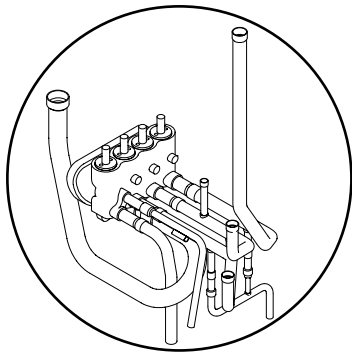
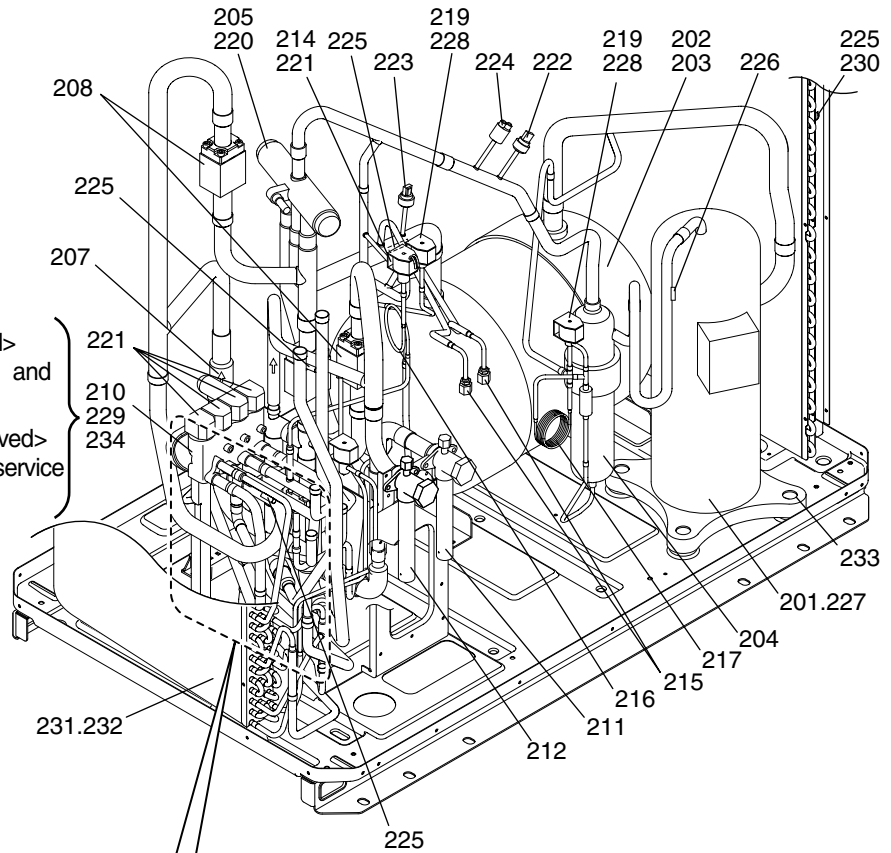
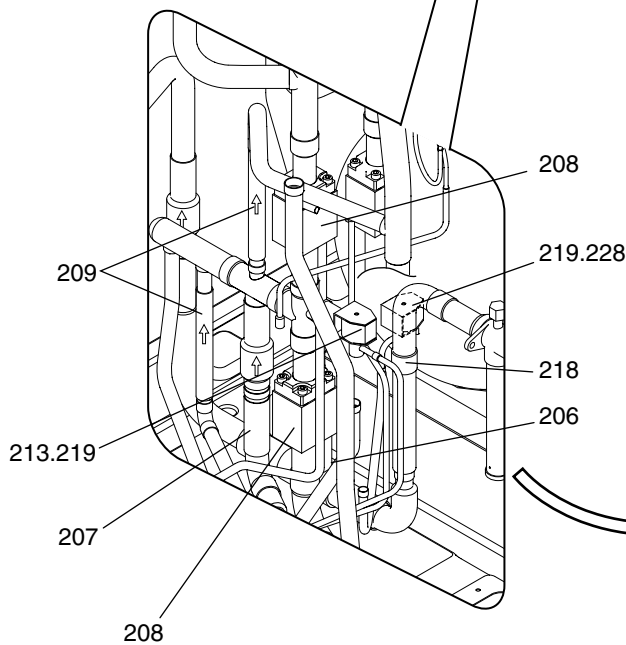


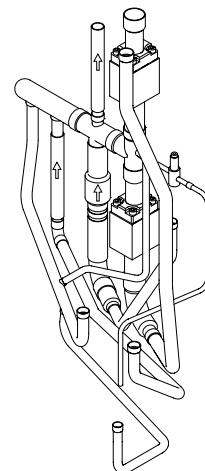
Figure 1



<To replace parts with the HEX removed>  
 Individual replacement of parts 207 and 209 is possible.



<To replace parts without the HEX removed>  
 Remove the solenoid valve block assembly (Figure 1), take the check valve assembly (see figure below) out of the unit, and replace parts 207, 208 and 209 with parts 236. Only one set of 236 is required when replacing multiple check valves.\*1



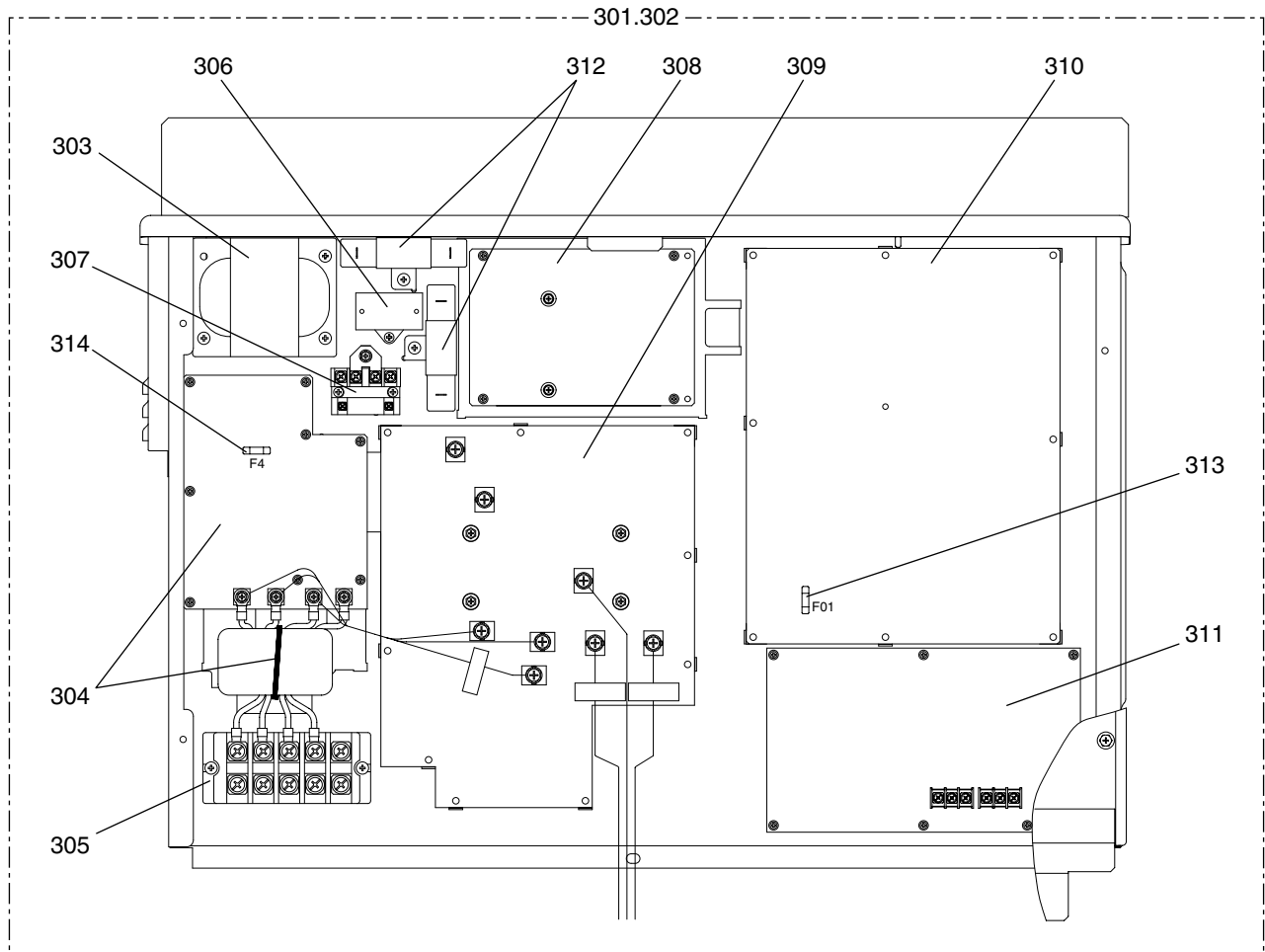
\*1 Refer to the replacement instructions provided with parts 235 and 236 for details.

PURY-EP250YHM-A (-BS)

FUNCTIONAL PARTS

No.	Part No.	G : RoHS Apply Only W : RoHS Apply by Running Change		Spec.	PURY-EP250YHM-A	PURY-EP250YHM-A-BS				Dwg. No.	Price	Revision History	
			Part Name										
201	R69 025 478	G	Scroll compressor	HNB78FA-YE	1	1					EP10109B02		
202	R61 046 484	G	Accumulator assy		1						KB54B479G05		
203	R61 047 484	G	Accumulator assy	BS		1					KB54B479G06		
204	R61 007 487	G	Oil separator assy		1	1					KB00L071G01		
205	R63 Y05 154	G	Four way valve	STF-07 <21S4a>	1	1					P633119X01		
206	R63 S84 418	G	Check valve block assy	<CV2a>	1	1					W902879G02		
207	R61 001 418	G	Check valve	BCV-1810 <CV3a, CV9a>	2	2					P639170X01		
208	R61 002 418	G	Check valve assy	<CV4a, CV5a, CV7a, CV8a>	4	4					P639175X01		
209	R63 R43 418	G	Check valve	BCV-1005 <CV6a, CV10a>	2	2					P639165X01		
210	R61 030 232	G	Valve block assy	4SV	1	1					KB00L126G02		
211	R61 002 540	G	Valve	VSAMH8SSCM-A <(LP) BV1>	1	1					P636343X01		
212	R63 007 538	G	Valve	VSAMH8SSCM-LA1 <(HP) BV2>	1	1					P636353X01		
213	R63 027 232	G	Solenoid valve	VPV-L <SV5b>	1	1					P631296X01		
214	R63 Y07 232	G	Solenoid valve	ATS-A <SV9>	1	1					P631291X01		
215	R63 R34 413	G	Check joint L	R410A <(HP)CJ1, (LP)CJ2>	2	2					P666001X01		
216	R61 008 425	G	Capillary tube assy	<CP2>	1	1					KB49H700G01		
217	R63 R55 425	G	Capillary tube assy	<CP1>	1	1					W905191G02		
218	R63 5H4 454	G	Strainer	25.4D <ST1>	1	1					P641134X01		
219	R61 006 243	G	Solenoid coil	VPV Y <SV1a, SV2, SV5b, SV5c>	4	4					P472046X01		
220	R63 Y16 243	G	Solenoid coil	STF DV <21S4a>	1	1					P472024X01		
221	R63 Y18 243	G	Solenoid coil	<SV4a, SV4b, SV4c, SV4d, SV9>	5	5					P472012X01		
222	R61 006 288	G	Pressure sensor	HP <(HP) 63HS1>	1	1					KB00H904G09		
223	R61 007 288	G	Pressure sensor	LP <(LP) 63LS>	1	1					KB00H904G10		
224	R63 Y11 208	G	Pressure switch	ACB1UB28W <63H1>	1	1					P426320X01		
225	R61 060 200	G	Thermistor	<TH3, TH5, TH6, TH7>	4	4					P418065X01		
226	R63 911 202	G	Thermistor	<TH4>	1	1					P425416X02		
227	R63 Y07 237	G	Belt heater	240V 45W <CH11>	1	1					P493781X02		
228	R63 P90 232	G	Solenoid valve	VPV-152D <SV1a, SV2, SV5c>	3	3					P631277X01		
229	R63 6A7 235	G	Solenoid valve	ACS METAL <SV4a, SV4b, SV4c, SV4d>	4	4					P631285X01		
230	R61 001 310	G	Sensor holder		1	1					KB25B471G02		
231	R61 143 480	G	Heat exchanger assy	3L YHM	1						KB01L124G05		
232	R61 144 480	G	Heat exchanger assy	3L BS		1					KB01L124G02		
233	R63 852 860	G	Rubber mount		4	4					W897574H01		
234	R63 6A7 245	G	Solenoid valve tightening element		1	1					W909209G01		
*1	235	R61 003 151	G	Solenoid valve block service parts kit		1	1				KB00H903G05		
*2	236	R61 005 151	G	Service parts with instructions	<CV4a, CV6a, CV8a, CV9a, CV10a>	1	1				KB00H903G06		

\*1: A solenoid valve block assy, a connecting pipe, and a sheet of replacement instructions are included with Solenoid valve block service parts kit (No. 235).  
\*2: A connecting pipe and a sheet of replacement instructions are included with Service parts with instructions (No. 236).



No.	Part No.	G : RoHS Apply Only W : RoHS Apply by Running Change		Spec.	PURY-EP250YHM-A	PURY-EP250YHM-A-BS				Dwg. No.	Price	Revision History
			Part Name									
301	R61 078 305	G	Control box		1					KE80C152G21		
302	R61 079 305	G	Control box		1					KE80C152G22		
303	R61 011 259	G	Reactor	<DCL>	1	1				P715440X02		
304	R61 003 293	G	Noise filter	<Noise Filter,L>	1	1				KE80C155G01		
305	R61 007 246	G	Terminal block	<TB1>	1	1				S436005H12		
306	R61 001 255	G	Capacitor assy	<C100>	1	1				KE00D263G01		
307	R61 003 216	G	Relay	<72C>	1	1				P421295X01		
308	R61 037 280	G	FAN board		1	1				W652171G07		
309	R61 039 280	G	INV board		1	1				KE80C154G02		
310	R61 014 281	G	Control board		1	1				KE80C153G31		
311	R61 012 281	G	M-NET board		1	1				KE80C055G03		
312	R61 001 234	G	Resistor	<R1>,<R5>	2	2				P411151X01		
313	R61 005 239	G	Fuse	3.15A AC250V T	1	1				S423001H39		
314	R63 993 964	G	Fuse	6.3A AC250V T	1	1				S423001H30		

