

December 2012

No. OCB442

REVISED EDITION-B

# PARTS CATALOG

## Series PKFY Wall Mounted R410A

 Indoor unit  
[Model names]

[Service Ref.]

PKFY-P32VHM-E

**PKFY-P32VHM-E  
PKFY-P32VHM-ER1  
PKFY-P32VHM-ER2**

PKFY-P40VHM-E

**PKFY-P40VHM-E  
PKFY-P40VHM-ER1  
PKFY-P40VHM-ER2**

PKFY-P50VHM-E

**PKFY-P50VHM-E  
PKFY-P50VHM-ER1  
PKFY-P50VHM-ER2**

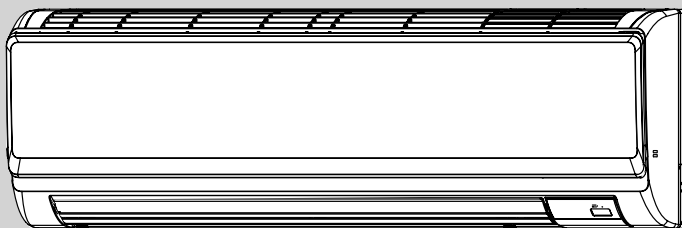
Revision:

- PKFY-P32/40/50VHM-ER2 have been added in REVISED EDITION-B.
- Some descriptions have been modified.

- Please void OCB442 REVISED EDITION-A.

Note:

- RoHS compliant products have <G> mark on the spec name plate.



INDOOR UNIT

### CONTENTS

1. RoHS PARTS LIST ..... 2
2. OPTIONAL PARTS ..... 6

**SERVICE MANUAL (OCH442)**

**PANEL AND HEAT EXCHANGER PARTS**

PKFY-P32VHM-E

PKFY-P40VHM-E

PKFY-P50VHM-E

PKFY-P32VHM-ER1

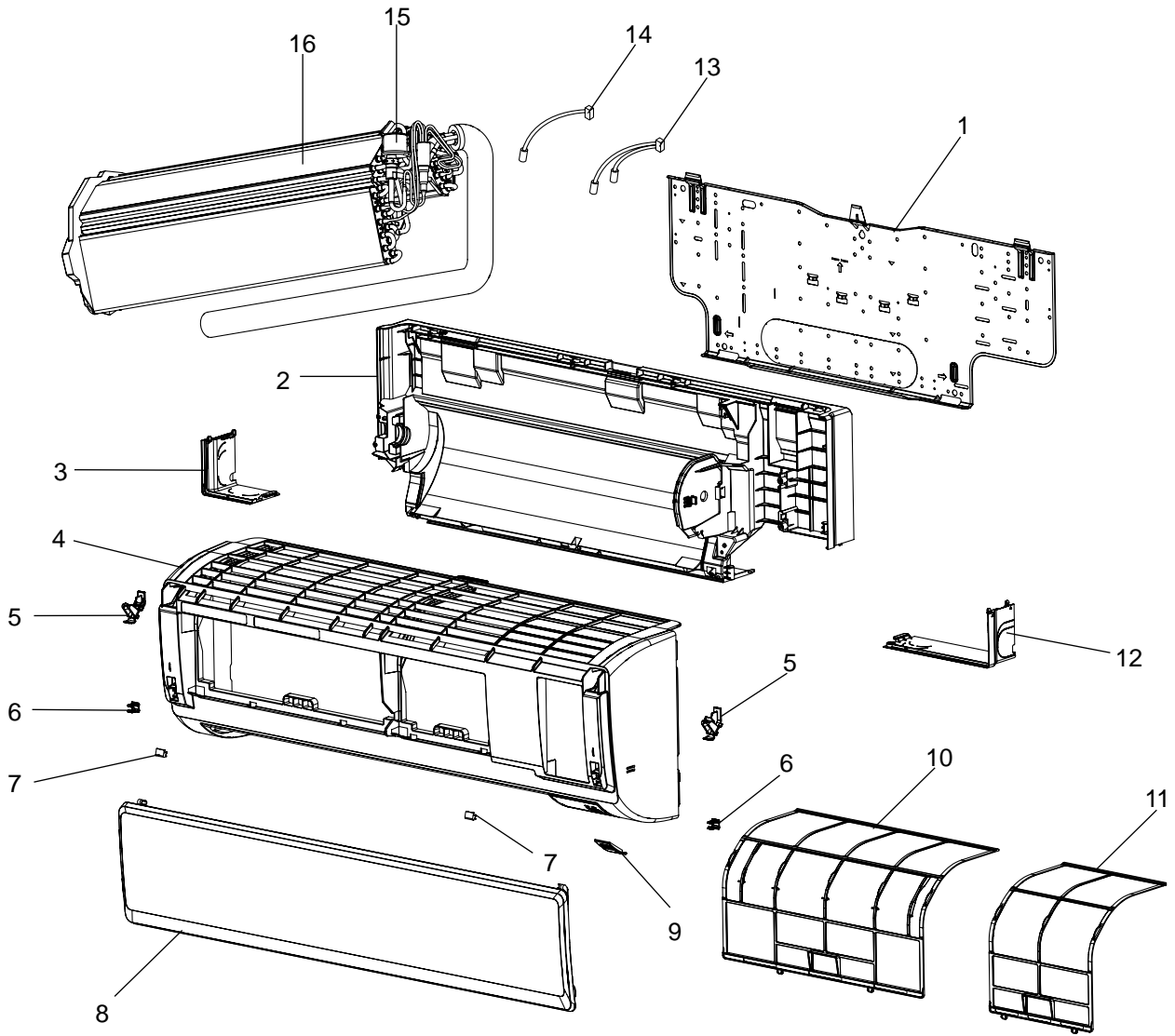
PKFY-P40VHM-ER1

PKFY-P50VHM-ER1

PKFY-P32VHM-ER2

PKFY-P40VHM-ER2

PKFY-P50VHM-ER2



7KH001-C01\_01

# RoHS PARTS LIST

No.	RoHS	Part No.	Part Name	Specification	Q'ty/set									Remarks (Drawing No.)	Wiring Diagram Symbol	
					PKFY-P-VHM-E			PKFY-P-VHM-ER1			PKFY-P-VHM-ER2					
					32	40	50	32	40	50	32	40	50			
1	G	R01 E08 808	BACK PLATE		1	1	1	1	1	1	1	1	1	1		
2	G	R01 E02 635	BOX ASSY		1	1	1	1	1	1	1	1	1	1		
3	G	R01 E30 658	CORNER BOX (L)		1	1	1	1	1	1	1	1	1	1		
4	G	R01 E15 651	FRONT PANEL		1	1	1	1	1	1	1	1	1	1		
5	G	R01 E14 054	HOLDER (R.L)		1	1	1	1	1	1	1	1	1	1	2pcs/set	
6	G	R01 E15 054	CATCH		1	1	1	1	1	1	1	1	1	1	2pcs/set	
7	G	R01 E05 096	SCREW CAP		1	1	1	1	1	1	1	1	1	1	2pcs/set	
8	G	R01 E58 691	GRILLE		1	1	1	1	1	1	1	1	1	1		
9	G	R01 E31 658	RECEIVER COVER		1	1	1	1	1	1	1	1	1	1		
10	G	R01 E27 500	FILTER (L)		1	1	1	1	1	1	1	1	1	1		
11	G	R01 E28 500	FILTER (R)		1	1	1	1	1	1	1	1	1	1		
12	G	R01 E29 658	CORNER BOX (R)		1	1	1	1	1	1	1	1	1	1		
13	G	R01 N17 202	THERMISTOR		1	1	1	1	1	1	1	1	1	1		TH22/23
14	G	R01 H07 202	THERMISTOR		1	1	1	1	1	1	1	1	1	1		TH24
15	G	R01 H07 401	EXPANSION VALVE		1	1	1									LEV
	G	R01 H28 401	EXPANSION VALVE					1	1	1	1	1	1	1		LEV
16	G	T7W H97 480	HEAT EXCHANGER		1	1										
	G	T7W H98 480	HEAT EXCHANGER				1									
	G	T7W K37 480	HEAT EXCHANGER					1	1		1	1				
	G	T7W K38 480	HEAT EXCHANGER							1			1			

# RoHS PARTS LIST

## FAN AND ELECTRICAL PARTS

PKFY-P32VHM-E

PKFY-P40VHM-E

PKFY-P50VHM-E

PKFY-P32VHM-ER1

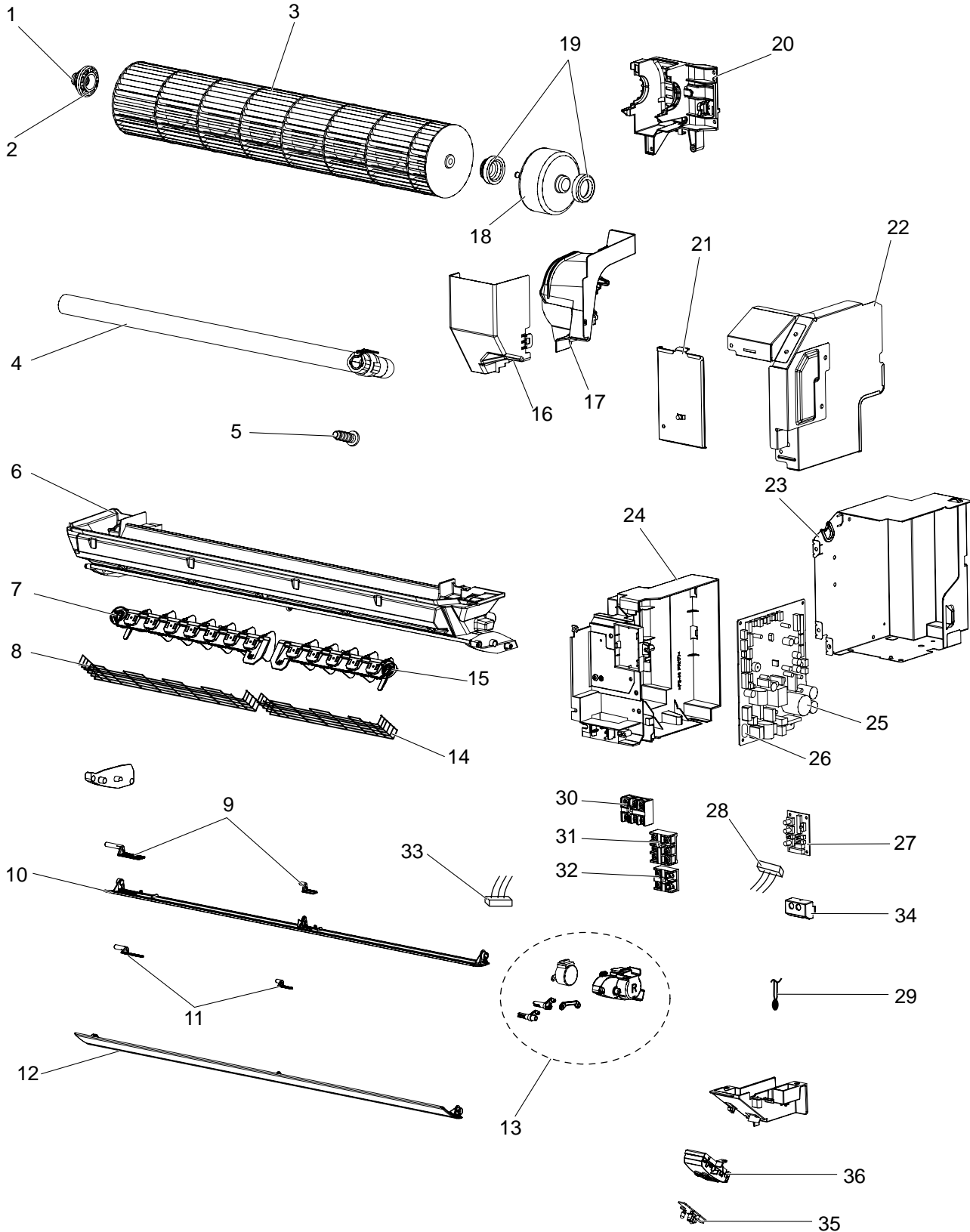
PKFY-P40VHM-ER1

PKFY-P50VHM-ER1

PKFY-P32VHM-ER2

PKFY-P40VHM-ER2

PKFY-P50VHM-ER2



# RoHS PARTS LIST

Part numbers that are circled are not shown in the illustration.

No.	RoHS	Part No.	Part Name	Specifi- cation	Q'ty/set			Remarks (Drawing No.)	Wiring Diagram Symbol
					PKFY-P				
					32/40/50				
					VHM-E	VHM-ER1	VHM-ER2		
1	G	R01 E01 102	BEARING MOUNT		1	1	1		
2	G	R01 E04 103	SLEEVE BEARING		1	1	1		
3	G	R01 E42 114	LINEFLOW FAN		1	1	1		
4	G	R01 E09 527	DRAIN HOSE		1	1	1		
5	G	R01 E03 524	DRAIN CAP		1	1	1		
6	G	R01 E01 530	NOZZLE ASSY		1	1	1	with No.7,15	
7	G	R01 E07 038	GUIDE VANE ASSY-L		1	1	1		
8	G	T7W E19 675	FAN GUARD-L		1	1	1		
9	G	R01 E06 063	VANE SHAFT-UC		1	1	1	2pcs/set	
10	G	R01 E32 002	AUTO VANE-U		1	1	1		
11	G	R01 E05 063	VANE SHAFT-TC		1	1	1	2pcs/set	
12	G	R01 E31 002	AUTO VANE-T		1	1	1		
13	G	R01 E27 223	VANE MOTOR		1	1	1		MV
14	G	T7W E18 675	FAN GUARD-R		1	1	1		
15	G	R01 E06 038	GUIDE VANE ASSY-R		1	1	1		
16	G	R01 E00 031	WATER COVER		1	1	1		
17	G	R01 E03 126	MOTOR BAND		1	1	1		
18	G	R01 E51 220	FAN MOTOR		1	1	1	with No.19	MF
19	G	R01 E18 105	RUBBER MOUNT		1	1	1	LEFT&RIGHT	
20	G	R01 E44 130	MOTOR BED		1	1	1		
21	G	—	TOP COVER		1	1	1	(BK02B838G03)	
22	G	—	SIDE COVER		1	1	1	(BK02A479G38)	
23	G	—	CONTROL BOX		1	1	1	(BK00B899G06)	
24	G	—	PB BOX		1	1	1	(BK25A475G05)	
25	G	T7W E76 310	CONTROLLER BOARD		1				I.B, S.B
	G	R01 V04 310	CONTROLLER BOARD			1			I.B, S.B
	G	T7W C12 310	CONTROLLER BOARD				1		I.B, S.B
26	G	R01 E15 239	FUSE	3.15A 250V	1	1	1		FUSE
27	G	T7W E01 294	ADDRESS BOARD		1	1	1		A.B
28	G	R01 E13 304	CABLE ASSY (ADDRESS)		1	1	1		
29	G	R01 N20 202	THERMISTOR		1	1	1	with tube & band	TH21
30	G	T7W E49 716	TERMINAL BLOCK	3P(L,N,⊕)	1	1	1		TB2
31	G	T7W E50 716	TERMINAL BLOCK	3P(M1,M2,S)	1	1	1		TB5
32	G	T7W E33 716	TERMINAL BLOCK	2P(1,2)	1	1	1		TB15
33	G	R01 E12 304	CABLE (VANE MOTOR)		1	1	1		
34	G	R01 E01 031	SWITCH BOARD COVER		1	1	1		
35	G	R01 E10 317	RECEIVER ASSY		1	1	1		W.B
36	G	R01 E01 094	DISP HOLDER		1	1	1		

**2****OPTIONAL PARTS****2-1. WIRELESS REMOTE CONTROLLER**

Part No.	PAR-FL32MA
----------	------------

**2-2. WIRED REMOTE CONTROLLER (MA REMOTE CONTROLLER)**

Part No.	PAR-21MAA PAR-30MAA PAR-31MAA
----------	-------------------------------------

**2-3. WIRED REMOTE CONTROLLER (ME REMOTE CONTROLLER)**

Part No.	PAR-F27MEA
----------	------------

**2-4. DRAIN PUMP KIT**

Part No.	PAC-SH75DM-E
----------	--------------

**MITSUBISHI ELECTRIC CORPORATION**

HEAD OFFICE : TOKYO BLDG., 2-7-3, MARUNOUCHI, CHIYODA-KU TOKYO 100-8310, JAPAN