

October 2012

No. OCB446

REVISED EDITION-D



PARTS CATALOG

[Model name]
<Outdoor unit>

PUMY-P100VHMB

PUMY-P125VHMB

PUMY-P140VHMB

PUMY-P100VHMB-BS

PUMY-P125VHMB-BS

PUMY-P140VHMB-BS

PUMY-P100YHMB

PUMY-P125YHMB

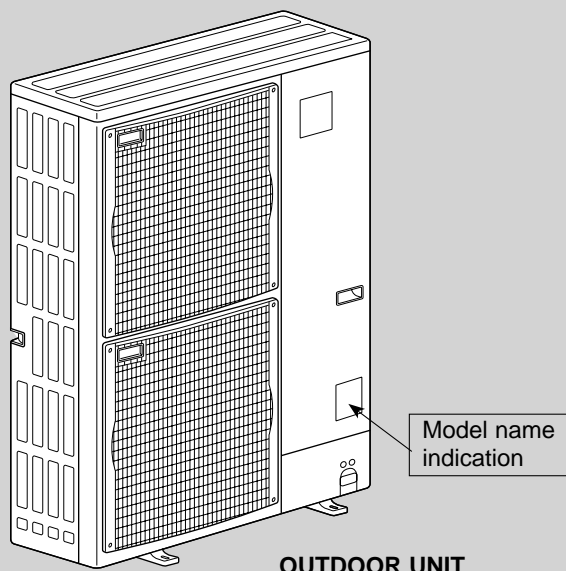
PUMY-P140YHMB

PUMY-P100YHMB-BS

PUMY-P125YHMB-BS

PUMY-P140YHMB-BS

[Service Ref.]
Refer to page 2.



CONTENTS

1. RoHS PARTS LIST..... 3
2. OPTIONAL PARTS..... Back cover

SERVICE MANUAL (OCH446)

Revision :

- PUMY-P100VHMBR4(-BS) and PUMY-P100YHMBR4(-BS) have been added in REVISED EDITION-D.
- Some descriptions have been modified.
- Please void OCB446 REVISED EDITION-C.

Note :

- RoHS compliant products have <G> mark on spec name plate.
- For servicing of RoHS compliant products, refer to RoHS PARTS LIST.



[Service Ref.]

**PUMY-P100VHMB
PUMY-P100VHMBR1
PUMY-P100VHMBR2
PUMY-P100VHMBR3
PUMY-P100VHMB-BS
PUMY-P100VHMBR1-BS
PUMY-P100VHMBR2-BS
PUMY-P100VHMBR3-BS
PUMY-P100YHMB
PUMY-P100YHMBR1
PUMY-P100YHMBR2
PUMY-P100YHMBR3
PUMY-P100YHMB-BS
PUMY-P100YHMBR1-BS
PUMY-P100YHMBR2-BS
PUMY-P100YHMBR3-BS
PUMY-P100VHMBR4
PUMY-P100YHMBR4
PUMY-P100VHMBR4-BS
PUMY-P100YHMBR4-BS**

**PUMY-P125VHMB
PUMY-P125VHMBR1
PUMY-P125VHMBR2
PUMY-P125VHMBR3
PUMY-P125VHMB-BS
PUMY-P125VHMBR1-BS
PUMY-P125VHMBR2-BS
PUMY-P125VHMBR3-BS
PUMY-P125YHMB
PUMY-P125YHMBR1
PUMY-P125YHMBR2
PUMY-P125YHMBR3
PUMY-P125YHMB-BS
PUMY-P125YHMBR1-BS
PUMY-P125YHMBR2-BS
PUMY-P125YHMBR3-BS**

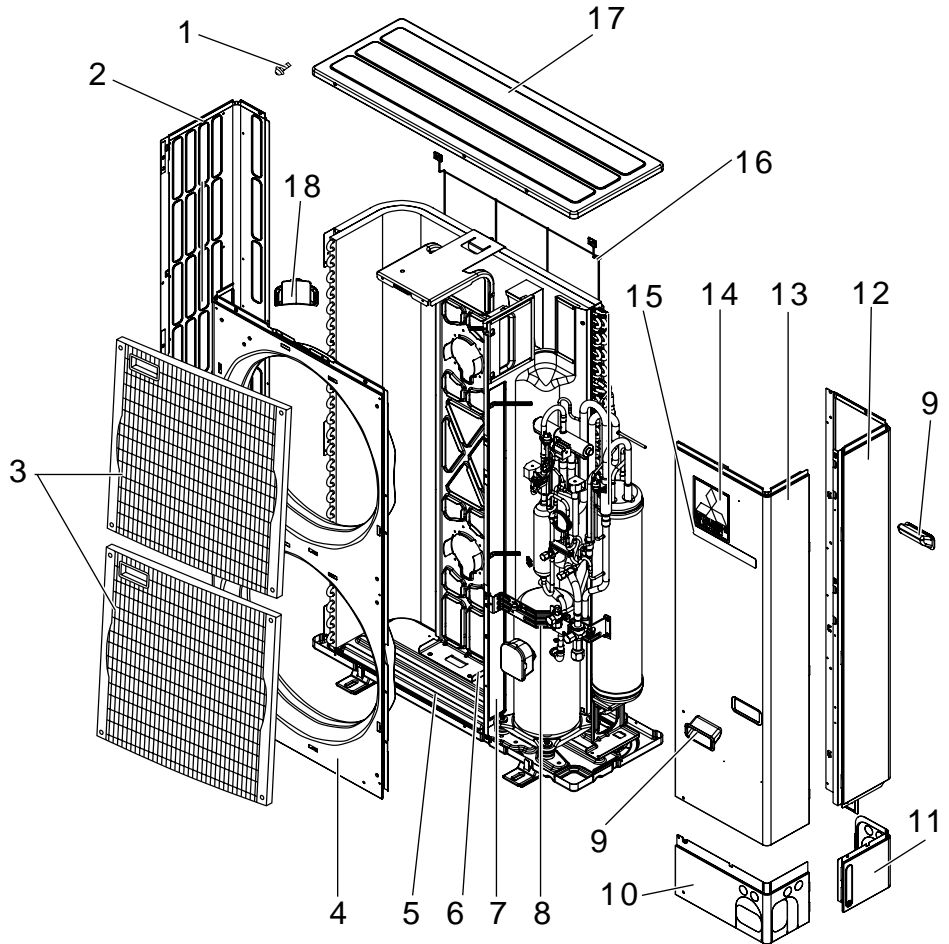
**PUMY-P140VHMB
PUMY-P140VHMBR1
PUMY-P140VHMBR2
PUMY-P140VHMBR3
PUMY-P140VHMB-BS
PUMY-P140VHMBR1-BS
PUMY-P140VHMBR2-BS
PUMY-P140VHMBR3-BS
PUMY-P140YHMB
PUMY-P140YHMBR1
PUMY-P140YHMBR2
PUMY-P140YHMBR3
PUMY-P140YHMB-BS
PUMY-P140YHMBR1-BS
PUMY-P140YHMBR2-BS
PUMY-P140YHMBR3-BS**

1

RoHS PARTS LIST

1-1. STRUCTURAL PARTS

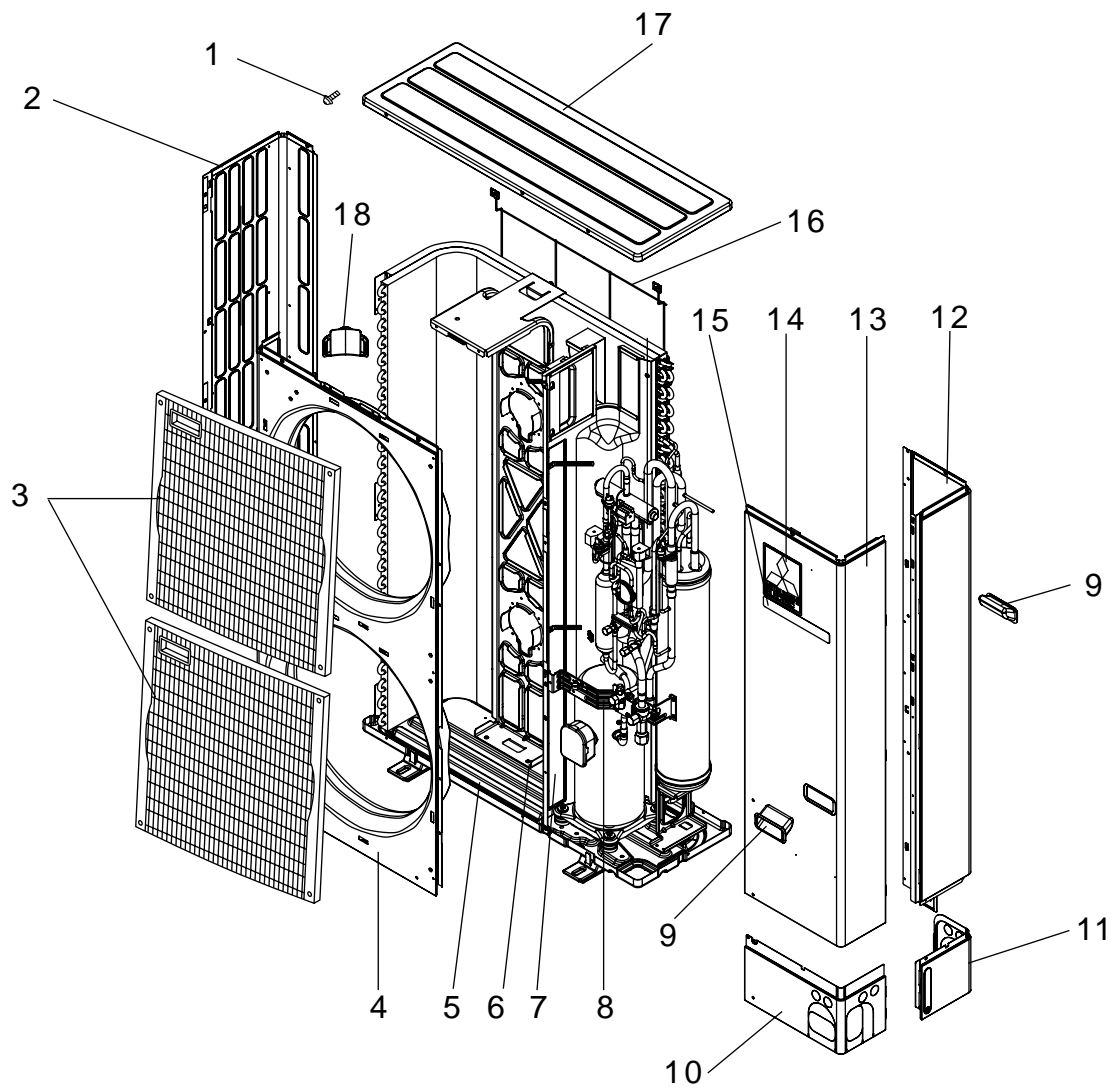
- PUMY-P100/125/140VHMB
- PUMY-P100/125/140VHMB-BS
- PUMY-P100/125/140VHMBR1
- PUMY-P100/125/140VHMBR1-BS
- PUMY-P100/125/140VHMBR2
- PUMY-P100/125/140VHMBR2-BS
- PUMY-P100/125/140VHMBR3
- PUMY-P100/125/140VHMBR3-BS
- PUMY-P100/125/140YHMB
- PUMY-P100/125/140YHMB-BS
- PUMY-P100/125/140YHMBR1
- PUMY-P100/125/140YHMBR1-BS
- PUMY-P100/125/140YHMBR2
- PUMY-P100/125/140YHMBR2-BS
- PUMY-P100/125/140YHMBR3
- PUMY-P100/125/140YHMBR3-BS



No.	RoHS	Part No.	Part Name	Specification	Q'ty/set				Remarks (Drawing No.)	Wiring Diagram Symbol	Recommended Q'ty
					PUMY-P100/125/140						
					VHMB VHMBR1 VHMBR2 VHMB-BS VHMBR1-BS VHMBR2-BS	VHMBR3 VHMBR3-BS	YHMB YHMBR1 YHMBR2 YHMB-BS YHMBR1-BS YHMBR2-BS	YHMBR3 YHMBR3-BS			
1	G	—	F.ST SCREW	(5x12)	38	38	38	38	(DG12F536H12)		
2	G	R01 E33 662	SIDE PANEL (L)		1	1	1	1			
3	G	T7W E03 691	FAN GRILLE		2	2	2	2			
4	G	T7W E06 667	FRONT PANEL		1	1	1	1			
5	G	R01 E26 686	BASE ASSY		1	1	1	1			
6	G	R01 E19 130	MOTOR SUPPORT		1	1	1	1			
7	G	—	SEPARATOR		1	1			(BK00C143GH7)		
	G	—	SEPARATOR				1	1	(BK00C409G34)		
8	G	—	VALVE BED ASSY		1	1	1	1	(BK00C142G29)		
9	G	R01 E01 655	HANDLE		2	2	2	2			
10	G	R01 E14 658	COVER PANEL (FRONT)		1	1	1	1			
11	G	R01 E24 658	COVER PANEL (REAR)		1	1	1	1			
12	G	R01 E57 661	SIDE PANEL (R)		1	1	1	1			
13	G	T7W E06 668	SERVICE PANEL		1	1					
	G	T7W E13 668	SERVICE PANEL				1	1			
14	G	—	LABEL (MITSUBISHI)		1	1	1	1	(DG79R130H03)		
15	G	—	BRAND LABEL		1	1	1	1	(RG79L690H01)		
16	G	R01 E07 698	REAR GUARD		1	1	1	1			
17	G	R01 E29 641	TOP PANEL		1	1					
	G	R01 E28 641	TOP PANEL				1	1			
18	G	R01 E02 655	HANDLE		1	1	1	1			

RoHS PARTS LIST

STRUCTURAL PARTS
PUMY-P100VHMBR4
PUMY-P100VHMBR4-BS
PUMY-P100YHMBR4
PUMY-P100YHMBR4-BS



RoHS PARTS LIST

No.	RoHS	Part No.	Part Name	Specification	Q'ty/set		Remarks (Drawing No.)	Wiring Diagram Symbol	Recom- mended Q'ty
					PUMY-P100				
					VHMBR4 VHMBR4-BS	YHMBR4 YHMBR4-BS			
1	G	—	F.ST SCREW	(5×12)	38	38	(DG12F536H12)		
2	G	R01 E33 662	SIDE PANEL (L)		1	1			
3	G	T7W E03 691	FAN GRILLE		2	2			
4	G	T7W E06 667	FRONT PANEL		1	1			
5	G	R01 E26 686	BASE ASSY		1	1			
6	G	R01 E19 130	MOTOR SUPPORT		1	1			
7	G	—	SEPARATOR		1		(BK00C143GH7)		
	G	—	SEPARATOR			1	(BK00C409G34)		
8	G	—	VALVE BED ASSY		1	1	(BK00C142G29)		
9	G	R01 E01 655	HANDLE		2	2			
10	G	R01 E14 658	COVER PANEL (FRONT)		1	1			
11	G	R01 E24 658	COVER PANEL (REAR)		1	1			
12	G	R01 E57 661	SIDE PANEL (R)		1	1			
13	G	T7W E06 668	SERVICE PANEL		1				
	G	T7W E13 668	SERVICE PANEL			1			
14	G	—	LABEL (MITSUBISHI)		1	1	(DG79R130H03)		
15	G	—	BRAND LABEL		1	1	(RG79L690H01)		
16	G	R01 E07 698	REAR GUARD		1	1			
17	G	R01 E29 641	TOP PANEL		1				
	G	R01 E28 641	TOP PANEL			1			
18	G	R01 E02 655	HANDLE		1	1			

RoHS PARTS LIST

1-2. FUNCTIONAL PARTS

PUMY-P100/125/140VHMB

PUMY-P100/125/140VHMB-BS

PUMY-P100/125/140VHMBR1

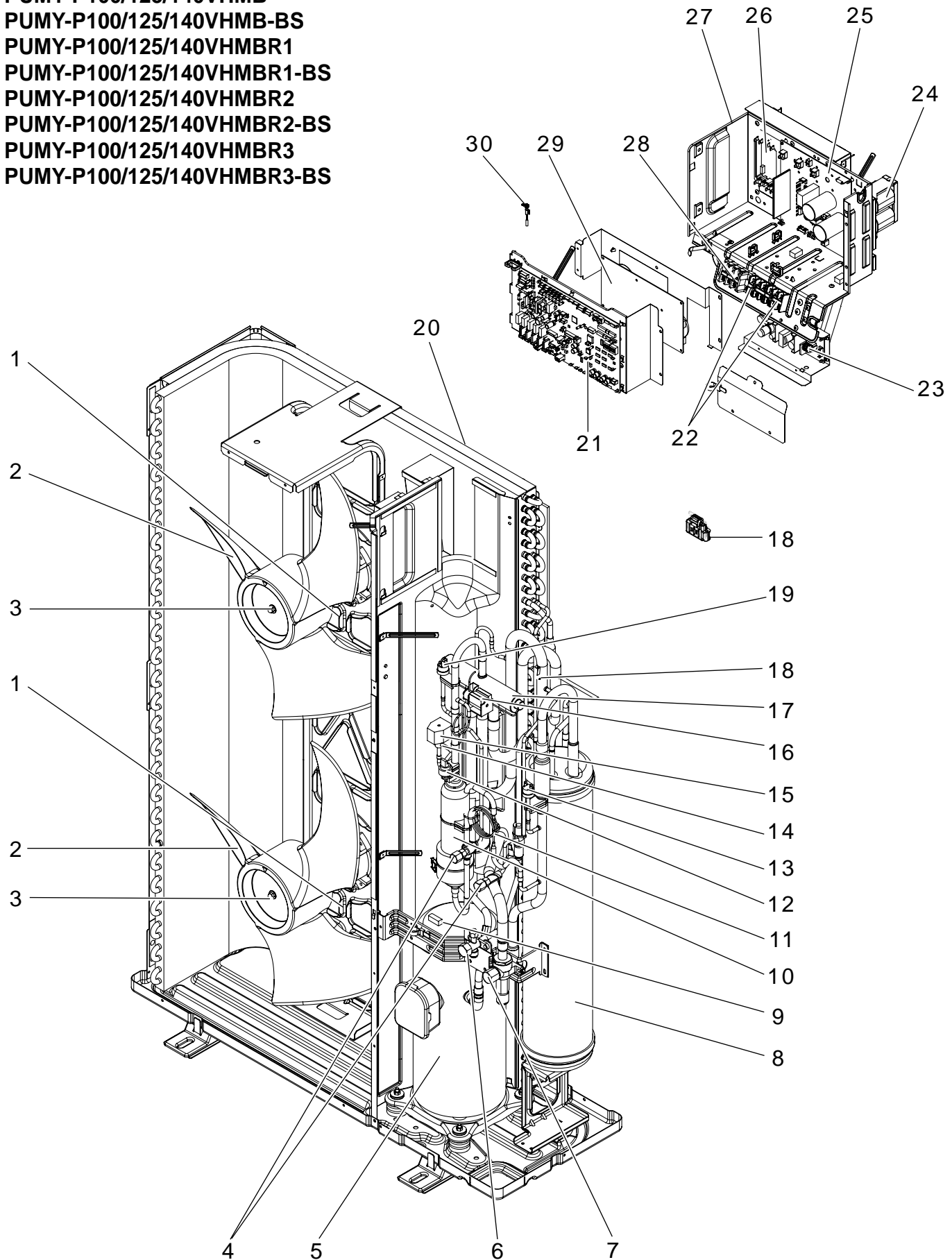
PUMY-P100/125/140VHMBR1-BS

PUMY-P100/125/140VHMBR2

PUMY-P100/125/140VHMBR2-BS

PUMY-P100/125/140VHMBR3

PUMY-P100/125/140VHMBR3-BS



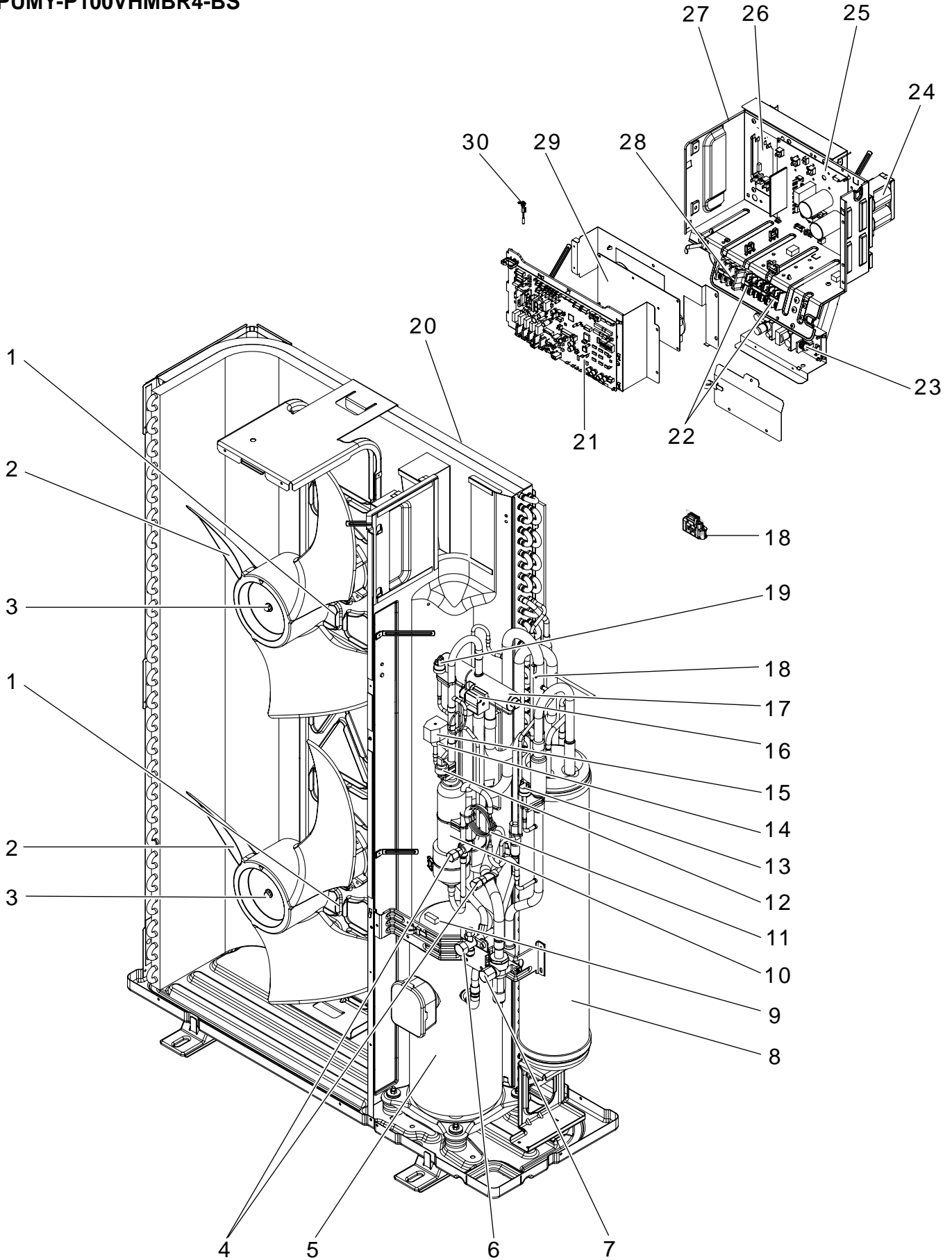
RoHS PARTS LIST

Part numbers that are circled are not shown in the figure.

No.	RoHS	Part No.	Part Name	Specifications	Q'ty/set				Remarks (Drawing No.)	Wiring Diagram Symbol	Recom- mended Q'ty
					PUMY-P100/125/140						
					VHMB VHMB-BS	VHMBR1 VHMBR1-BS	VHMBR2 VHMBR2-BS	VHMBR3 VHMBR3-BS			
1	G	T7W E27 763	FAN MOTOR		2	2	2	2		MF1, 2	
2	G	R01 E12 115	PROPELLER FAN		2	2	2	2			
3	G	R01 E09 097	NUT		2	2	2	2			
4	G	R01 E14 413	CHARGE PLUG		2	2					
	G	R01 E17 413	CHARGE PLUG				2	2			
5	G	T97 415 763	COMPRESSOR	ANB33FDMMT Including RUBBER MOUNT	1	1				MC	
	G	T97 415 779	COMPRESSOR	ANB33FDSMT Including RUBBER MOUNT			1	1		MC	
6	G	R01 E13 410	STOP VALVE	3/8	1	1	1	1			
7	G	R01 E11 411	BALL VALVE	5/8	1	1	1	1			
8	G	R01 E44 440	ACCUMULATOR		1	1	1	1			
9	G	R01 E28 201	THERMISTOR (COMPRESSOR)				1	1		TH4	
10	G	R01 E12 490	OIL SEPARATOR		1	1	1	1			
11	G	R01 E26 425	CAPILLARY TUBE	ø2.5xø0.8x1000mm	1	1	1	1			
12	G	R01 E07 208	H.P SENSOR		1	1	1	1		63HS	
13	G	R01 E00 209	LOW PRESSURE SWITCH		1	1	1	1		63L	
14	G	R01 E14 428	BYPASS VALVE		1	1	1	1			
15	G	T7W E51 242	SOLENOID COIL <BYPASS VALVE>		1	1	1			SV1	
	G	R01 H01 242	SOLENOID COIL <BYPASS VALVE>					1		SV1	
16	G	T7W E25 242	SOLENOID COIL <4-WAY VALVE>		1	1	1	1		21S4	
17	G	R01 E32 403	4-WAY VALVE		1	1					
	G	R01 E15 403	4-WAY VALVE				1	1			
18	G	R01 H01 202	THERMISTOR		1	1	1	1		TH6, 7	
19	G	R01 E06 208	HIGH PRESSURE SWITCH		1	1	1	1		63H	
20	G	T7W E41 408	HEAT EXCHANGER		1	1					
	G	T7W E65 408	HEAT EXCHANGER				1				
	G	R01 H23 408	HEAT EXCHANGER					1			
21	G	R01 V14 310	CONTROLLER CIRCUIT BOARD		1	1	1			C.B.	
	G	R01 F39 310	CONTROLLER CIRCUIT BOARD					1		C.B.	
22	G	R01 E27 246	TERMINAL BLOCK	3P (M1, M2, S)	2	2	2	2		TB3, TB7	
23	G	R01 E04 311	M-POWER BOARD		1	1	1	1		M-NET.PB.	
24	G	T7W E17 259	REACTOR		1	1	1			DCL	
	G	R01 E44 259	REACTOR					1		DCL	
25	G	R01 E65 313	POWER CIRCUIT BOARD		1	1	1	1		P.B.	
26	G	R01 E07 233	ACT MODULE		1	1	1	1		ACTM	
27	G	—	ELECTRIACL PARTS BOX		1	1	1	1	(BK00C681G18)		
28	G	T7W A15 716	TERMINAL BLOCK	3P (L, N, ⊕)	1	1	1	1		TB1	
29	G	R01 E18 346	NOISE FILTER CIRCUIT BOARD		1	1	1	1		N.F.	
30	G	R01 E99 202	THERMISTOR (HEATSINK)		1	1	1	1		TH8	
31	G	R01 E22 255	MAIN SMOOTHING CAPACITOR		1	1	1	1		CE	
32	G	R01 E17 201	THERMISTOR (DISCHARGE)		1	1				TH4	
33	G	R01 H00 202	THERMISTOR (OUTDOOR PIPE)		1	1	1	1		TH3	
34	G	R01 E06 239	FUSE	250V, 6.3A	2	2	2	2		F1, 2	

RoHS PARTS LIST

FUNCTIONAL PARTS
PUMY-P100VHMBR4
PUMY-P100VHMBR4-BS



RoHS PARTS LIST

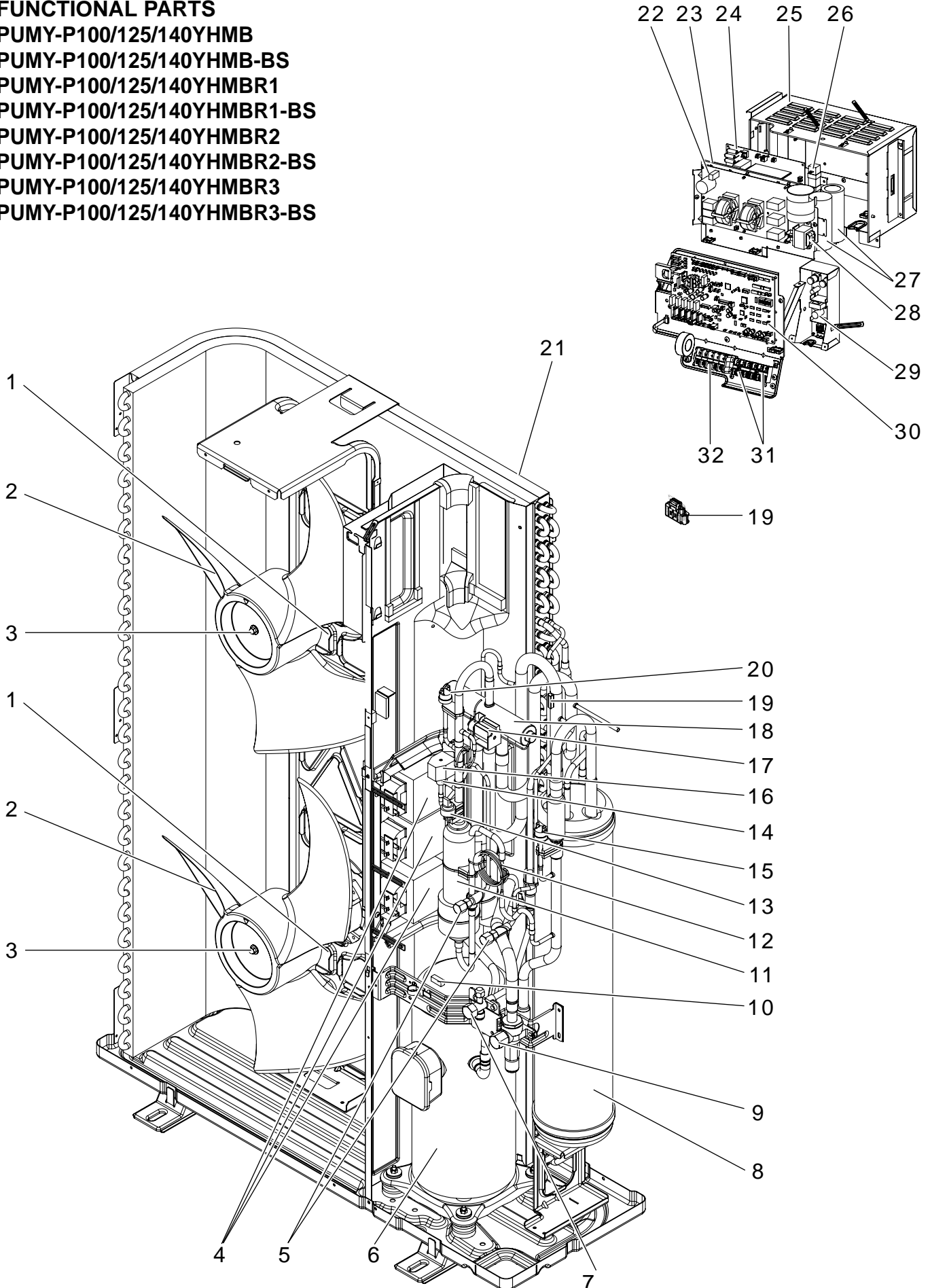
Part numbers that are circled are not shown in the figure.

No.	RoHS	Part No.	Part Name	Specifications	Q'ty/set	Remarks (Drawing No.)	Wiring Diagram Symbol	Recom- mended Q'ty
					PUMY-P100			
					VHMBR4 VHMBR4-BS			
1	G	R01 E57 221	FAN MOTOR		2		MF1, 2	
2	G	R01 E12 115	PROPELLER FAN		2			
3	G	R01 E09 097	NUT		2			
4	G	R01 E17 413	CHARGE PLUG		2			
5	G	T97 415 779	COMPRESSOR	ANB33FDSMT Including RUBBER MOUNT	1		MC	
6	G	R01 E13 410	STOP VALVE	3/8	1			
7	G	R01 E11 411	BALL VALVE	5/8	1			
8	G	R01 E44 440	ACCUMULATOR		1			
9	G	R01 E28 201	THERMISTOR (COMPRESSOR)		1		TH4	
10	G	R01 E12 490	OIL SEPARATOR		1			
11	G	R01 E26 425	CAPILLARY TUBE	ø2.5×ø0.8×1000mm	1			
12	G	R01 E07 208	H.P SENSOR		1		63HS	
13	G	R01 E00 209	LOW PRESSURE SWITCH		1		63L	
14	G	R01 E14 428	BYPASS VALVE		1			
15	G	R01 H01 242	SOLENOID COIL <BYPASS VALVE>		1		SV1	
16	G	T7W E25 242	SOLENOID COIL <4-WAY VALVE>		1		21S4	
17	G	R01 E15 403	4-WAY VALVE		1			
18	G	R01 H01 202	THERMISTOR (LOW PRESSURE SATURATED, OUTDOOR)		1		TH6, 7	
19	G	R01 E06 208	HIGH PRESSURE SWITCH		1		63H	
20	G	R01 H23 408	HEAT EXCHANGER		1			
21	G	T7W F29 315	CONTROLLER CIRCUIT BOARD		1		C.B.	
22	G	R01 E27 246	TERMINAL BLOCK	3P (M1, M2, S)	2		TB3, TB7	
23	G	R01 E04 311	M-POWER BOARD		1		M-NET.P.B.	
24	G	R01 E44 259	REACTOR		1		DCL	
25	G	R01 E65 313	POWER CIRCUIT BOARD		1		P.B.	
26	G	R01 E07 233	ACT MODULE		1		ACTM	
27	G	—	ELECTRIACL PARTS BOX		1	(BK00C681G27)		
28	G	T7W A15 716	TERMINAL BLOCK	3P (L, N, ⊕)	1		TB1	
29	G	R01 E18 346	NOISE FILTER CIRCUIT BOARD		1		N.F.	
30	G	R01 E99 202	THERMISTOR (HEATSINK)		1		TH8	
31	G	R01 E22 255	MAIN SMOOTHING CAPACITOR		1		CE	
33	G	R01 H00 202	THERMISTOR (OUTDOOR PIPE)		1		TH3	
34	G	R01 E06 239	FUSE	250V, 6.3A	2		F1, 2	

RoHS PARTS LIST

FUNCTIONAL PARTS

PUMY-P100/125/140YHMB
PUMY-P100/125/140YHMB-BS
PUMY-P100/125/140YHMBR1
PUMY-P100/125/140YHMBR1-BS
PUMY-P100/125/140YHMBR2
PUMY-P100/125/140YHMBR2-BS
PUMY-P100/125/140YHMBR3
PUMY-P100/125/140YHMBR3-BS



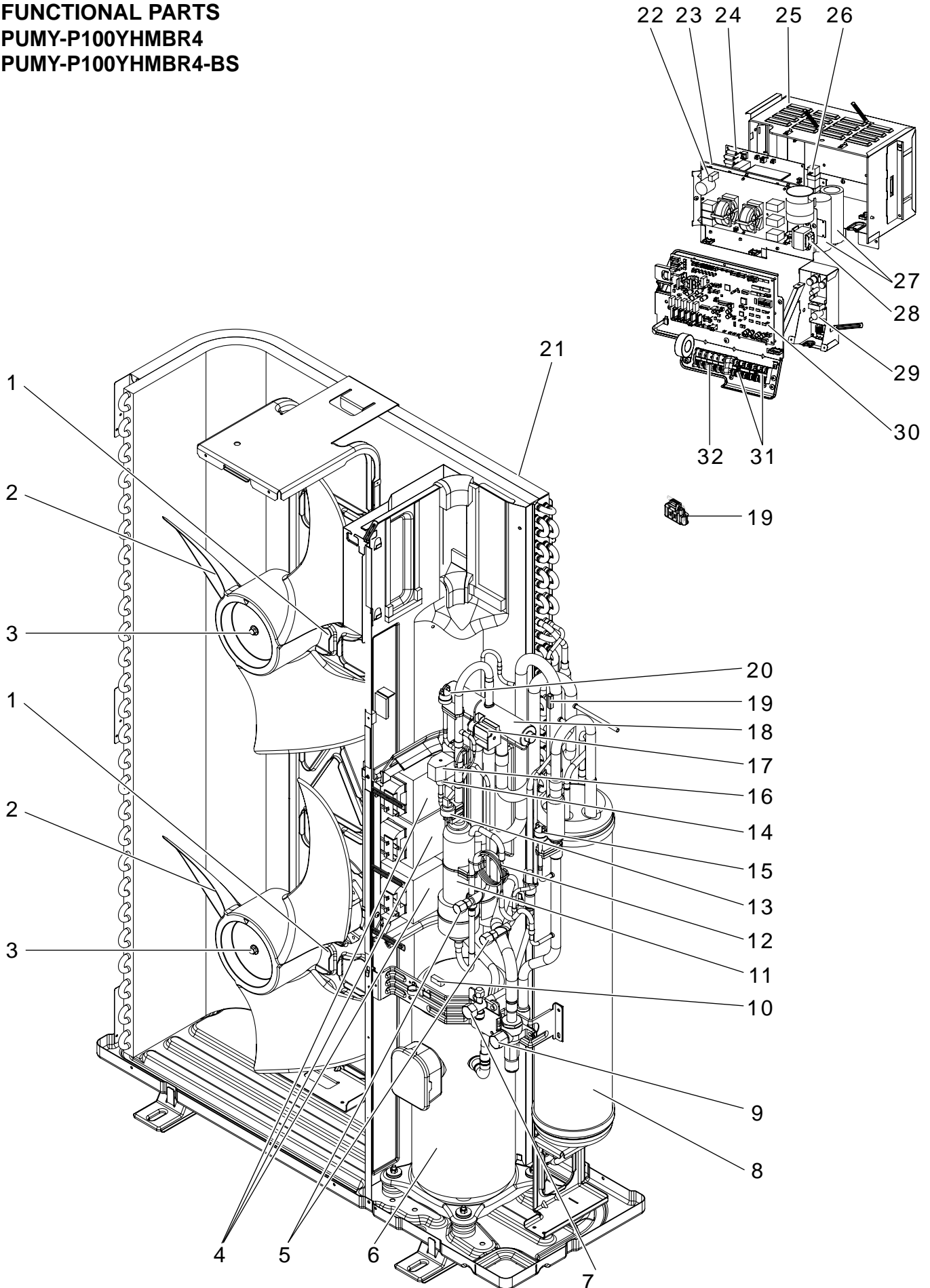
RoHS PARTS LIST

Part numbers that are circled are not shown in the figure.

No.	RoHS	Part No.	Part Name	Specification	Q'ty/set				Remarks (Drawing No.)	Wiring Diagram Symbol	Recommended Q'ty
					PUMY-P100/125/140						
					YHMB YHMB-BS	YHMBR1 YHMBR1-BS	YHMBR2 YHMBR2-BS	YHMBR3 YHMBR3-BS			
1	G	T7W E27 763	FAN MOTOR		2	2	2	2		MF1, 2	
2	G	R01 E12 115	PROPELLER FAN		2	2	2	2			
3	G	R01 E09 097	NUT		2	2	2	2			
4	G	T7W E12 259	REACTOR		3	3	3	3		ACL1,2,3	
5	G	R01 E14 413	CHARGE PLUG		2	2					
	G	R01 E17 413	CHARGE PLUG				2	2			
6	G	T97 415 764	COMPRESSOR	ANB33FDNMT Including RUBBER MOUNT	1	1				MC	
	G	T97 415 788	COMPRESSOR	ANB33FNBM Including RUBBER MOUNT			1	1		MC	
7	G	R01 E13 410	STOP VALVE	3/8	1	1	1	1			
8	G	R01 E44 440	ACCUMULATOR		1	1	1	1			
9	G	R01 E11 411	BALL VALVE	5/8	1	1	1	1			
10	G	R01 E29 201	THERMISTOR (COMPRESSOR)				1	1		TH4	
11	G	R01 E12 490	OIL SEPARATOR		1	1	1	1			
12	G	R01 E26 425	CAPILLARY TUBE	φ2.5×φ0.8×1000mm	1	1	1	1			
13	G	R01 E07 208	H.P SENSOR		1	1	1	1		63HS	
14	G	R01 E14 428	BYPASS VALVE		1	1	1	1			
15	G	R01 E00 209	LOW PRESSURE SWITHCH		1	1	1	1		63L	
16	G	T7W E51 242	SOLENOID VALVE COIL (BYPASS VALVE)		1	1	1	1		SV1	
17	G	R01 E58 242	SOLENOID COIL (4-WAY VALVE)		1	1	1	1		21S4	
18	G	R01 E32 403	4-WAY VALVE		1	1					
	G	R01 E15 403	4-WAY VALVE				1	1			
19	G	R01 E94 202	THERMISTOR		1	1	1	1		TH6, 7	
20	G	R01 E06 208	HIGH PRESSURE SWITCH		1	1	1	1		63H	
21	G	T7W E41 408	HEAT EXCHANGER		1	1					
	G	T7W E65 408	HEAT EXCHANGER				1				
	G	R01 H23 408	HEAT EXCHANGER					1			
22	G	T7W E23 346	NOISE FILTER CIRCUIT BOARD		1	1	1	1		N.F.	
23	G	T7W E75 310	CONVERTER CIRCUIT BOARD		1	1	1	1		CONV.B.	
24	G	T7W E60 313	POWER CURCUIT BOARD		1	1	1	1		P.B.	
25	G	—	ELECTRICAL PARTS BOX		1	1	1	1	(BK00C410G08)		
26	G	R01 E10 233	RESISTOR		1	1	1	1		RS	
27	G	T7W E21 255	MAIN SMOOTHING CAPACITOR		2	2	2	2		CB1,CB2	
28	G	R01 E31 259	REACTOR		1	1	1	1		ACL4	
29	G	R01 E04 311	M-POWER BOARD		1	1	1	1		M-NET P.B.	
30	G	R01 V14 310	CONTROLLER CIRCUIT BOARD		1	1	1			C.B.	
	G	R01 F39 310	CONTROLLER CIRCUIT BOARD					1		C.B.	
31	G	R01 E27 246	TERMINAL BLOCK	3P (M1, M2, S)	2	2	2	2		TB3,TB7	
32	G	T7W E30 716	TERMINAL BLOCK	5P (L1,L2,L3,N,⊕)	1	1	1	1		TB1	
33	G	R01 E06 239	FUSE	250V 6.3A	2	2	2	2		F1, 2	
34	G	R01 H00 202	THERMISTOR (OUTDOOR PIPE)		1	1	1	1		TH3	
35	G	T7W E10 254	CAPACITOR		1	1	1	1		CK	
36	G	R01 E11 201	THERMISTOR (DISCHARGE)		1	1				TH4	

RoHS PARTS LIST

FUNCTIONAL PARTS
PUMY-P100YHMBR4
PUMY-P100YHMBR4-BS



RoHS PARTS LIST

Part numbers that are circled are not shown in the figure.

No.	RoHS	Part No.	Part Name	Specification	Q'ty/set		Remarks (Drawing No.)	Wiring Diagram Symbol	Recom- mended Q'ty
					PUMY-P100				
					YHMBR4 YHMBR4-BS				
1	G	R01 E57 221	FAN MOTOR			2		MF1, 2	
2	G	R01 E12 115	PROPELLER FAN			2			
3	G	R01 E09 097	NUT			2			
4	G	T7W E12 259	REACTOR			3		ACL1,2,3	
5	G	R01 E17 413	CHARGE PLUG			2			
6	G	T97 415 788	COMPRESSOR	ANB33FNBMT Including RUBBER MOUNT		1		MC	
7	G	R01 E13 410	STOP VALVE	3/8		1			
8	G	R01 E44 440	ACCUMULATOR			1			
9	G	R01 E11 411	BALL VALVE	5/8		1			
10	G	R01 E29 201	THERMISTOR (COMPRESSOR)			1		TH4	
11	G	R01 E12 490	OIL SEPARATOR			1			
12	G	R01 E26 425	CAPILLARY TUBE	$\phi 2.5 \times \phi 0.8 \times 1000\text{mm}$		1			
13	G	R01 E07 208	H.P SENSOR			1		63HS	
14	G	R01 E14 428	BYPASS VALVE			1			
15	G	R01 E00 209	LOW PRESSURE SWITHCH			1		63L	
16	G	R01 H01 242	SOLENOID VALVE COIL (BYPASS VALVE)			1		SV1	
17	G	R01 E58 242	SOLENOID COIL (4-WAY VALVE)			1		21S4	
18	G	R01 E15 403	4-WAY VALVE			1			
19	G	R01 E94 202	THERMISTOR (LOW PRESSURE SATURATED, OUTDOOR)			1		TH6, 7	
20	G	R01 E06 208	HIGH PRESSURE SWITCH			1		63H	
21	G	R01 H23 408	HEAT EXCHANGER			1			
22	G	T7W E23 346	NOISE FILTER CIRCUIT BOARD			1		N.F.	
23	G	T7W E75 310	CONVERTER CIRCUIT BOARD			1		CONV.B.	
24	G	T7W E84 313	POWER CURCUIT BOARD			1		P.B.	
25	G	—	ELECTRICAL PARTS BOX			1	(BK00C410G14)		
26	G	R01 E10 233	RESISTOR			1		RS	
27	G	T7W E21 255	MAIN SMOOTHING CAPACITOR			2		CB1, CB2	
28	G	R01 E31 259	REACTOR			1		ACL4	
29	G	R01 E04 311	M-POWER BOARD			1		M-NET P.B.	
30	G	T7W F29 315	CONTROLLER CIRCUIT BOARD			1		C.B.	
31	G	R01 E27 246	TERMINAL BLOCK	3P (M1, M2, S)		2		TB3, TB7	
32	G	T7W E30 716	TERMINAL BLOCK	5P (L1, L2, L3, N, \ominus)		1		TB1	
33	G	R01 E06 239	FUSE	250V 6.3A		2		F1, 2	
34	G	R01 H00 202	THERMISTOR (OUTDOOR PIPE)			1		TH3	
35	G	T7W E10 254	CAPACITOR			1		CK	

DRAIN SOCKET

Part No.	PAC-SG61DS-E
----------	--------------

AIR OUTLET GUIDE

Part No.	PAC-SG59SG-E
----------	--------------

* Need 2 pieces.

AIR GUIDE

Part No.	PAC-SH63AG-E
----------	--------------

* Need 2 pieces.

DRAIN PAN

Part No.	PAC-SG64DP-E
----------	--------------

FILTER DRYER (For liquid line : $\phi 9.52$)

Part No.	PAC-SG82DR-E
----------	--------------

* Only for R410A model (Don't use for R22 model.)

BRANCH PIPE (Joint)

Part No.	NUMBER OF BRANCHING POINTS
CMY-Y62-G-E	2
CMY-Y64-G-E	4
CMY-Y68-G-E	8

mitsubishi electric corporation

HEAD OFFICE : TOKYO BLDG., 2-7-3, MARUNOUCHI, CHIYODA-KU, TOKYO 100-8310, JAPAN