

Models:

**LGH-15RX<sub>4</sub>-E,**

**LGH-25RX<sub>4</sub>-E,**

**LGH-35RX<sub>4</sub>-E**

**LGH-50RX<sub>4</sub>-E,**

**LGH-65RX<sub>4</sub>-E,**

**LGH-80RX<sub>4</sub>-E**

**LGH-100RX<sub>4</sub>-E,**

**LGH-150RX<sub>4</sub>-E,**

**LGH-200RX<sub>4</sub>-E**

# Operating Instructions

(For the user)

Please read through these instructions in order to familiarize yourself with the proper and safe procedures for operating the Lossnay.

After reading this manual, keep it in an easily accessible and safe place for future reference.

## Safety precautions

The following signs indicate that death or serious injury may be caused by a failure to heed the precautions described below and the resultant mishandling of the product.

### WARNING



- This product must not be disassembled under any circumstances. Only authorized repair technicians are qualified to conduct disassembly and repairs.  
(Failure to heed this warning may result in fire, electrical shock or injury.)  
If your product needs to be repaired, consult your dealer.



- Do not splash water over this product.  
(Failure to heed this warning may result in fire and/or electrical shock.)
- If flammable gases should leak, do not turn the Lossnay's switch on or off.  
(Failure to heed this warning may cause the electrical contacts to generate sparks which may result in an explosion.)  
Open windows to ventilate.



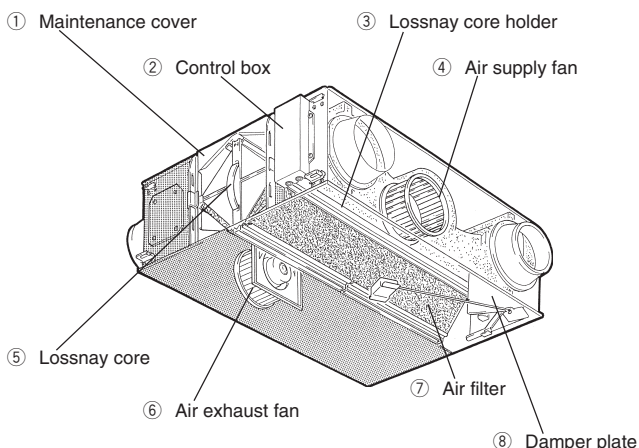
- Do not poke your fingers or sticks into the air intake and outlet while the product is operating.  
(Failure to heed this warning may result in injury.)



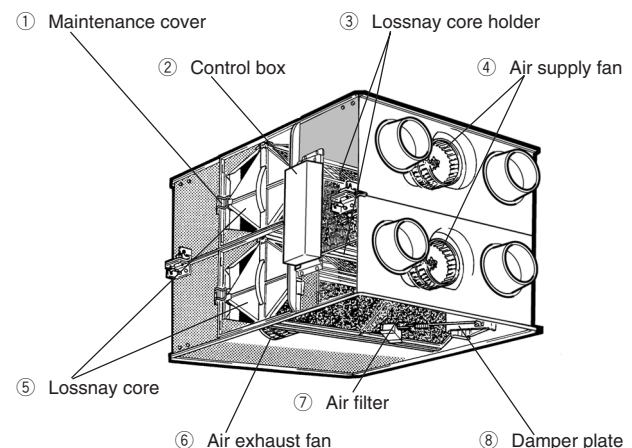
- Gloves should be worn when doing the installation and maintenance work.  
(Failure to heed this warning may result in injury.)
- Be sure that the power board circuit breaker is in the OFF position and is securely locked by lock and key before proceeding with maintenance work.  
(Failure to heed this warning may result in electrical shock or injury.)
- In the event of trouble (smell of burning, etc.), shut down operation, set the power board circuit breaker to its OFF position and consult your dealer.  
(Continued operation without remedying the trouble may result in electrical shock, fire, etc.)

## Names of the parts

### Models LGH-15 to 100 RX<sub>4</sub>



### Models LGH-150 and 200 RX<sub>4</sub>

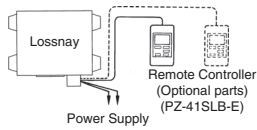


# Operation

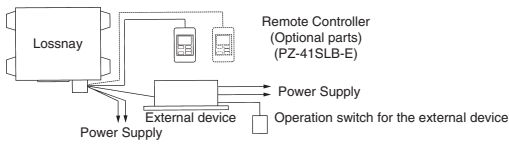
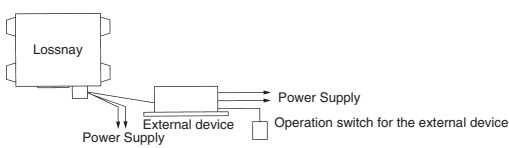
## 1. For connection of a remote controller (PZ-41SLB-E)

If the Lossnay's operation is linked with the operation of an external device such as an air conditioner, the method of use will differ, so carry out the appropriate operation in accordance with the following table. Also, please see the installation and user's manual for the remote controller (PZ-41SLB-E).

### <If not connected to an external device>

Example of System	Operation	Function
	Run using the remote controller.	<ul style="list-style-type: none"> <li>If 2 remote controllers are used, the last controller to be used has priority. (Last Command)</li> </ul>

### <If connected to an external device>

	If an external device is connected the "On/Off" function of this device will also control the Lossnay operation.	<ul style="list-style-type: none"> <li>If you would like to turn ON the Lossnay alone while the external device is OFF, operate it by the Lossnay remote controller.</li> <li>The fan speed is on "High".</li> <li>The ventilation mode is "Ventilation Mode Auto Select".</li> </ul>
		

## 2. For connection of a Lossnay remote controller (PZ-52SF-E), Mitsubishi Electric Air-Conditioner Network System (MELANS) or City Multi.

This is to be incorporated and used in the Mitsubishi Electric Air-Conditioner Network System.

This is interlocked with the City Multi and operated by it.

If the Lossnay remote controller (PZ-52SF-E) is used, the Lossnay may be operated independently if connected to City Multi.

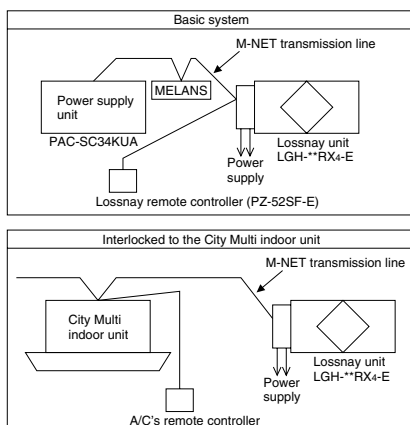
For details, refer to the operating manual of PZ-52SF-E.

Lossnay operation using the Lossnay remote controller (PZ-52SF-E) should need the power supply unit. Refer to the system diagram below.

### Note

- If this is to be used with the Lossnay remote controller (PZ-52SF-E), refer to the manuals for both the PZ-52SF-E installation and operating manual.
- Remote controller PZ-41SLB-E cannot be used with this system.

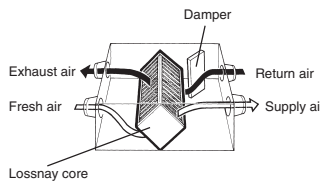
### ■ System diagram



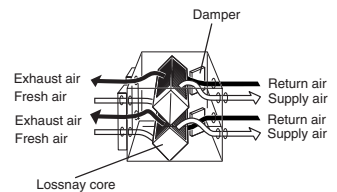
### ■ LOSSNAY VENTILATE setting

Both fresh air supply and return air pass through the Lossnay core(s). Resulting in full heat exchange. Lossnay ventilate setting is used for cooling in the summer and heating in the winter period.

#### Models LGH-15 to 100 RX4



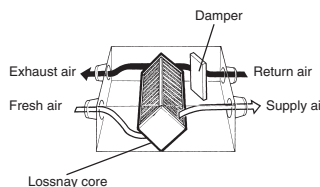
#### Models LGH-150 and 200 RX4



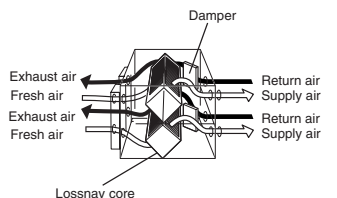
### ■ BY-PASS VENTILATE setting

The fresh air passes through the Lossnay core(s) and the return room air is exhausted direct. Lossnay bypass ventilate is normally operated during the spring/autumn months.

#### Models LGH-15 to 100 RX4



#### Models LGH-150 and 200 RX4



### ■ AUTOMATIC VENTILATION setting

The automatic damper mode automatically provides the correct ventilation for the conditions in the room. The following shows the effect "By-pass" ventilation will have under various conditions.

# Operation (Continued)

## 1. Reduces cooling load

If the air outside is cooler than the air inside the building during the cooling season (such as early morning or at night), "By-pass" ventilation will draw in the cooler outside air and reduce the cooling load on the system.

## 2. Night purge

"By-pass" ventilation can be used to release hot air from inside the building that has accumulated in buildings a business district during the hot summer season.

## 3. Office equipment room cooling

During cold season, outdoor air can be drawn in and used as is to cool rooms where the temperature has risen due to the use of office equipment.  
(Only when interlocked with City Multi and Mr. Slim indoor unit)

# Maintenance

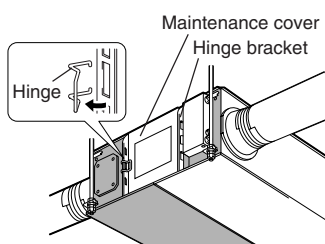
Remove all dust and dirt on air filters and Lossnay core(s) at regular intervals in order to prevent a deterioration in the Lossnay functions.

Guideline: Clean the air filters once a year.  
Clean the Lossnay core(s) once two year.

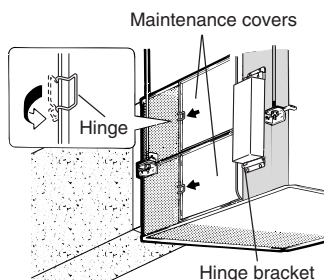
## Removing the parts

### 1) Maintenance cover

Locate and remove the cover fixing screw. Pull back the hinged clip. Open the door and lift off of the hinge brackets.



Models LGH-15 to 100 RX4

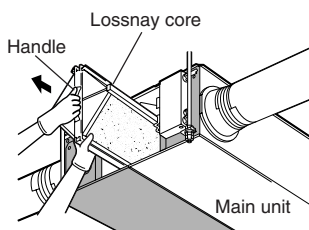


Models LGH-150 and 200 RX4

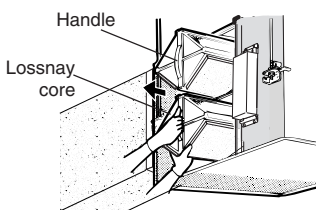
### 2) Lossnay core(s)

Take hold of the handle and draw the Lossnay cores out from the main unit.

- Model LGH-15 RX4: ..... 1 core
- Models LGH-25 to 100 RX4: ..... 2 cores
- Models LGH-150 and 200 RX4: ..... 4 cores



Models LGH-15 to 100 RX4

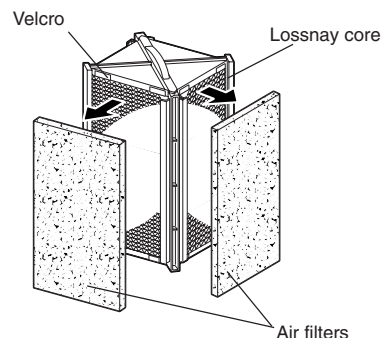


Models LGH-150 and 200 RX4

### 3) Air filters

After pulling out the Lossnay core(s), pull the air filters, located at the bottom left and right of the Lossnay core(s), off the velcro that holds them in place.

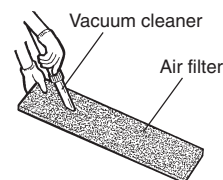
- Models LGH-15 RX4: ..... 2 filters
- Models LGH-25 to 100 RX4: ..... 4 filters
- Models LGH-150 and 200 RX4: ..... 8 filters



## Cleaning the parts

### 1) Air filters

Use a vacuum cleaner to remove light dust. To remove stubborn dirt wash in a mild solution of detergent and lukewarm water. (under 40°C)



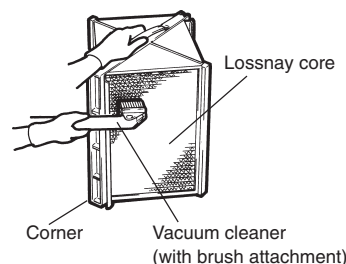
### ⚠ CAUTION

- Never wash the filters in very hot water and never wash them by rubbing them.
- Do not dry the filters by exposing them to a flame.

### 2) Lossnay core

Use a vacuum cleaner to suck up the dust and dirt on the exposed surfaces of the Lossnay cores. Use a soft brush only to clean exposed surface areas.

**Do NOT wash in water.**



### ⚠ CAUTION

- Do not use the hard nozzle of the vacuum cleaner. It may damage the exposed surfaces of the Lossnay core(s).
- Under no circumstances should the Lossnay core(s) be washed in water.

# Maintenance (Continued)

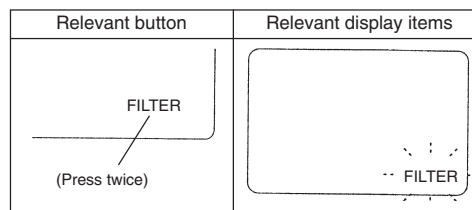
## Assembly after maintenance

1. Bearing in mind the following points, assemble the parts following the sequence for their removal in reverse.

- Attach the air filters to the magic tape on the Lossnay core(s).
- Arrange the Lossnay core with the air filter side downward.

2. Press the filter button on the remote controller (PZ-41SLB-E) two times in succession.

(This clears the Lossnay's operating time cumulative data.)



## Specifications

60Hz : Invalid in EU

Model name	Voltage (V)	Line frequency (Hz)	Current (A)	Power consumption (W)	Air volume		Static pressure		Exchange efficiency (%)			Noise (dB(A))		Weight (kg)
					(m <sup>3</sup> /h)	(L/S)	(mmH <sub>2</sub> O)	(Pa)	Temperature	Enthalpy		Below the unit	Air outlets	
										Heating	Cooling			
LGH-15RX <sub>4</sub>	1-Phase 220 - 240	50	0.29-0.31	63-73	150	42	6.1	60	77	70	64.5	24-25	30-31.5	17
		60	0.33-0.35	72-84	150	42	8.2	80	77	70	64.5	25-26	31-32.5	17
LGH-25RX <sub>4</sub>	1-Phase 220 - 240	50	0.39-0.40	85-96	250	69	5.1	50	78	70	65	25-26	33-34	21
		60	0.45-0.47	98-112	250	69	6.1	60	78	70	65	25.5-26.5	33.5-34.5	21
LGH-35RX <sub>4</sub>	1-Phase 220 - 240	50	0.71-0.71	154-167	350	97	7.1	70	79	70	68	28-30	35-37	30
		60	0.83-0.87	180-207	350	97	5.1	50	79	70	68	27-29	34-36	30
LGH-50RX <sub>4</sub>	1-Phase 220 - 240	50	0.89-0.90	193-214	500	139	6.1	60	77	67.5	64.5	29.5-31.5	37.5-39.5	33
		60	1.05-1.10	231-262	500	139	6.1	60	77	67.5	64.5	28.5-31	36.5-39	33
LGH-65RX <sub>4</sub>	1-Phase 220 - 240	50	1.30-1.30	270-300	650	181	5.1	50	76	68	64.5	32.5-33	40.5-41	46
		60	1.50-1.60	320-370	650	181	7.1	70	76	68	64.5	32.5-33	40.5-41	46
LGH-80RX <sub>4</sub>	1-Phase 220 - 240	50	1.60-1.60	340-370	800	222	10.2	100	78	71	67	32-33	43-44	61
		60	1.90-2.00	405-465	800	222	12.2	120	78	71	67	31-32.5	42-43.5	61
LGH-100RX <sub>4</sub>	1-Phase 220 - 240	50	2.00-2.00	440-475	1000	278	10.2	100	79	71	67	34-35	45-46	69
		60	2.60-2.70	565-635	1000	278	11.2	110	79	71	67	34-36	45-47	69
LGH-150RX <sub>4</sub>	1-Phase 220 - 240	50	3.10-3.10	670-730	1500	417	10.2	100	79	72	68	35.5-36.5	44-45	124
		60	3.80-3.90	820-935	1500	417	12.2	120	79	72	68	35-36	43.5-44.5	124
LGH-200RX <sub>4</sub>	1-Phase 220 - 240	50	4.20-4.20	910-980	2000	556	9.2	90	79	71	67	37-38	45.5-46.5	140
		60	5.30-5.40	1155-1295	2000	556	10.2	100	79	71	67	36.5-38.5	45-47	140

(1mmH<sub>2</sub>O = 9.80665Pa)

- \* The values given in the table for the noise level reflect the levels measured at a position 1.5 meters immediately below the unit in an anechoic chamber.
- \* The noise at the air outlets is the values at a 45° angle, 1.5 meters in front of the unit.
- \* The above values apply during Lossnay ventilation when the fan speed is set to high speed.
- \* The values for 150 and 200 type main unit outlet noise show in the case of 1 supply air duct.

## After-sales servicing

Consult with your dealer about the after-sales services provided for this Lossnay product.

If you hear strange sounds, if no air is blown out or if some other trouble occurs, switch off the power and contact your dealer. Consult with your dealer concerning the cost of inspection or repair work.