

March 2012

No. OCB489

REVISED EDITION-A

PARTS CATALOG

Series PCFY Ceiling Suspended R410A / R407C / R22

Indoor unit

[Model names]

[Service Ref.]

PCFY-P40VKM-E

PCFY-P40VKM-E.TH
PCFY-P40VKM-E.TH-T

PCFY-P63VKM-E

PCFY-P63VKM-E.TH
PCFY-P63VKM-E.TH-T

PCFY-P100VKM-E

PCFY-P100VKM-E.TH
PCFY-P100VKM-E.TH-T

PCFY-P125VKM-E

PCFY-P125VKM-E.TH
PCFY-P125VKM-E.TH-T

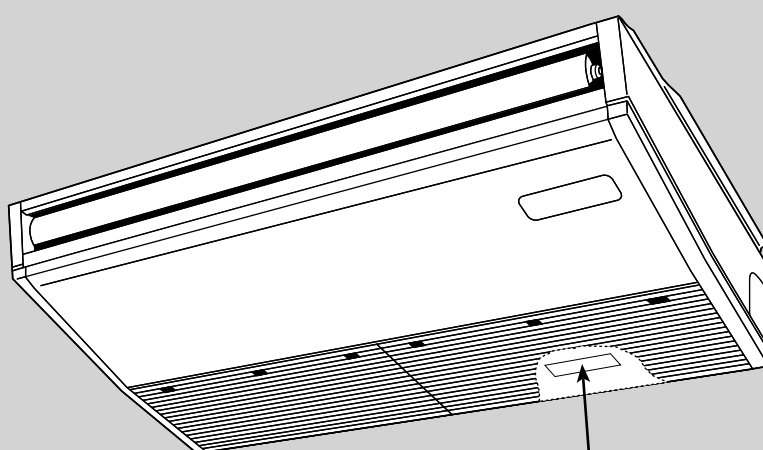
Revision:

- The indicated No. of SIROCCO FAN (page 4) in the illustration have been corrected in REVISED EDITION-A.
- Some descriptions have been modified.

- Please void OCB489.

Note:

- RoHS compliant products have <G> mark on the spec name plate.



INDOOR UNIT

 Model name
indication

CONTENTS

1. RoHS PARTS LIST 2
2. OPTIONAL PARTS 7

SERVICE MANUAL (OCH489)

STRUCTURAL AND FUNCTIONAL PARTS (1)

PCFY-P40VKM-E.TH

PCFY-P40VKM-E.TH-T

PCFY-P63VKM-E.TH

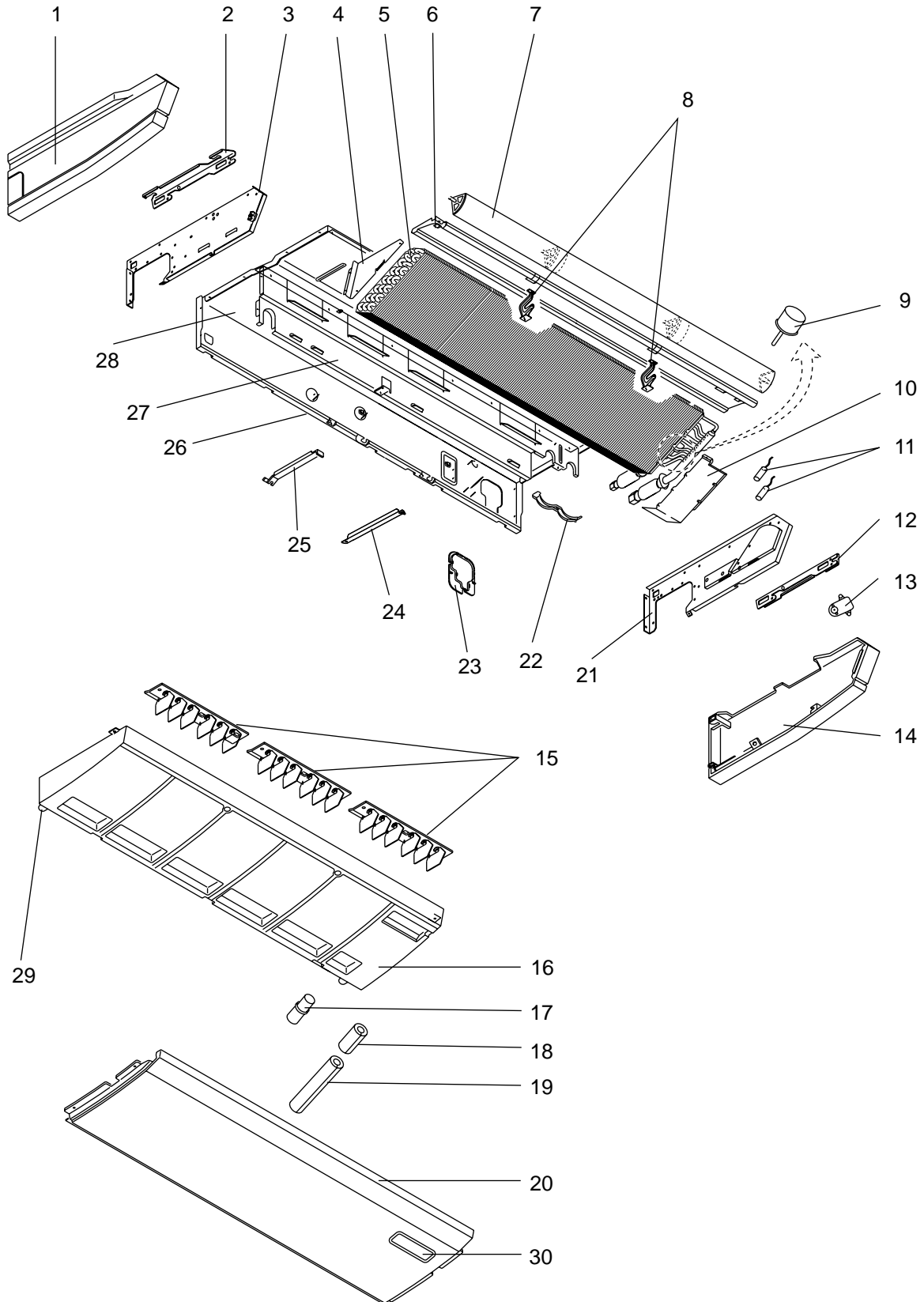
PCFY-P63VKM-E.TH-T

PCFY-P100VKM-E.TH

PCFY-P100VKM-E.TH-T

PCFY-P125VKM-E.TH

PCFY-P125VKM-E.TH-T



(RoHS PARTS LIST)

No.	RoHS	Part No.	Part Name	Specification	Q'ty/set				Remarks (Drawing No.)	Wiring Diagram Symbol	Recom- mended Q'ty
					PCFY-P-VKM-E.TH(-T)						
					40	63	100	125			
1	G	E17 648 086	SIDE PANEL-L		1	1	1	1			
2	G	E17 648 809	LEG-L		1	1	1	1			
3	G	E17 648 252	SIDE PLATE-L		1	1	1	1			
4	G	E17 648 648	COIL SUPPORT-H		1	1					
	G	E17 649 648	COIL SUPPORT-H				1	1			
5	G	E17 696 620	HEAT EXCHANGER		1						
	G	E17 697 620	HEAT EXCHANGER			1					
	G	E17 698 620	HEAT EXCHANGER				1				
	G	E17 699 620	HEAT EXCHANGER					1			
6	G	E17 696 000	FRONT PANEL (SMALL)		1						
	G	E17 648 000	FRONT PANEL (MIDDLE)			1					
	G	E17 649 000	FRONT PANEL (LARGE)				1	1			
7	G	E17 696 037	AUTO VANE		1						
	G	E17 648 037	AUTO VANE			1					
	G	E17 649 037	AUTO VANE				1	1			
8	G	E17 648 043	VANE SUPPORT		1	2	2	2			
9	G	E17 696 640	LINER EXPANSION VALVE		1	1				LEV	
	G	E17 698 640	LINER EXPANSION VALVE				1	1		LEV	
10	G	E17 650 648	COIL SUPPORT		1	1	1	1			
11	G	E17 696 307	THERMISTOR (PIPE)		1	1	1	1		TH22/23	
12	G	E17 648 808	LEG-R		1	1	1	1			
13	G	E17 648 303	VANE MOTOR ASSY		1	1	1	1		MV	
14	G	E17 648 085	SIDE PANEL-R		1	1	1	1			
15	G	E17 648 042	GUIDE VANE		2	3					
	G	E17 649 042	GUIDE VANE				3	3			
16	G	E17 696 700	DRAIN PAN		1						
	G	E17 648 700	DRAIN PAN			1					
	G	E17 649 700	DRAIN PAN				1	1			
17	G	E17 648 704	JOINT SOCKET		1	1	1	1			
18	G	E17 648 706	DRAIN SOCKET COVER		1	1	1	1			
19	G	E17 648 703	DRAIN HOSE COVER		1	1	1	1			
20	G	E17 696 717	UNDER PANEL		1						
	G	E17 648 717	UNDER PANEL			1					
	G	E17 649 717	UNDER PANEL				1	1			
21	G	E17 648 251	SIDE PLATE-R		1	1	1	1			
22	G	E17 648 708	PIPE BAND		1	1	1	1			
23	G	E17 648 903	PIPE HOLE COVER		1	1	1	1			
24	G	-	BEAM		1	1	1	1	(RG00D642G05)		
25	G	-	BEAM			1	1	1	(BH02G431G12)		
26	G	E17 696 522	REAR PANEL		1						
	G	E17 648 522	REAR PANEL			1					
	G	E17 649 522	REAR PANEL				1	1			
27	G	-	FAN PLATE		1				(BH00B360G11)		
	G	-	FAN PLATE			1			(BH00B360G12)		
	G	-	FAN PLATE				1	1	(BH00B360G13)		
28	G	E17 696 290	BASE		1						
	G	E17 697 290	BASE			1					
	G	E17 698 290	BASE				1	1			
29	G	E17 648 524	DRAIN PLUG		1	1	1	1			
30	G	-	CI PLATE		1	1	1	1	(VG00D541G01)		

(RoHS PARTS LIST)

No.	RoHS	Part No.	Part Name	Specification	Q'ty/set				Remarks (Drawing No.)	Wiring Diagram Symbol	Recom- mended Q'ty
					PCFY-P-VKM-E.TH(-T)						
					40	63	100	125			
1	G	E17 649 500	SIROCCO FAN			2	2				
2	G	E17 648 237	FAN CASING	TOP+UNDER	2	3	4	4			
3	G	E17 648 512	BEARING SUPPORT			1	1	1			
4	G	E17 648 504	BEARING			1	1	1			
5	G	E17 648 500	SIROCCO FAN		2	3	2	2			
6	G	E17 696 334	MOTOR LEG		1	1	1	1			
7	G	E17 696 300	INDOOR FAN MOTOR		1					MF	
	G	E17 697 300	INDOOR FAN MOTOR			1				MF	
	G	E17 698 300	INDOOR FAN MOTOR				1	1		MF	
8	G	E17 696 333	PIECE (MOTOR) R.L		1	1	1	1			
9	G	E17 648 518	FAN JOINT ASSY			1	1	1			
10	G	E17 648 499	SHAFT FAN			1					
	G	E17 649 499	SHAFT FAN				1	1			
11	G	E17 701 520	FAN GUARD-L		1	1	1	1			
12	G	E17 697 520	FAN GUARD (BEARING SUPPORT)			1					
	G	E17 698 520	FAN GUARD (BEARING SUPPORT)				2	2			
13	G	E17 696 520	FAN GUARD (FAN MOTOR)		1						
	G	E17 699 520	FAN GUARD (FAN MOTOR)			1	1	1			
14	G	E17 700 520	FAN GUARD-R		1	1	1	1			
15	G	E17 648 143	GRILLE HINGE		4	5	6	6			
16	G	E17 648 100	AIR FILTER	Small	2	1					
17	G	E17 649 100	AIR FILTER	Large		1	2	2			
18	G	E17 648 142	GRILLE CATCH		4	5	6	6			
19	G	E17 648 010	GRILLE (SMALL)		2	1					
	G	E17 649 010	GRILLE (LARGE)			1	2	2			

(RoHS PARTS LIST)

ELECTRICAL PARTS

PCFY-P40VKM-E.TH

PCFY-P63VKM-E.TH

PCFY-P100VKM-E.TH

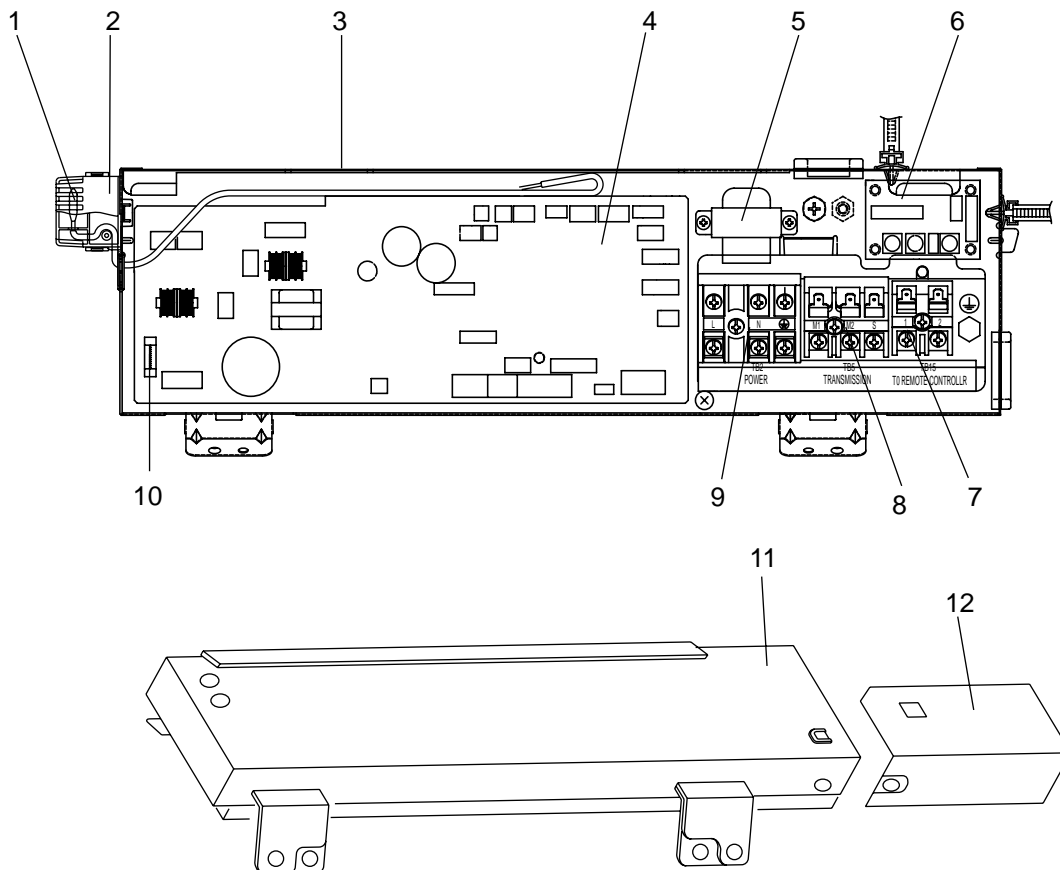
PCFY-P125VKM-E.TH

PCFY-P40VKM-E.TH-T

PCFY-P63VKM-E.TH-T

PCFY-P100VKM-E.TH-T

PCFY-P125VKM-E.TH-T



No.	RoHS	Part No.	Part Name	Specification	Q'ty/set	Remarks (Drawing No.)	Wiring Diagram Symbol	Recom- mended Q'ty
					PCFY-P-VKM-E.TH PCFY-P-VKM-E.TH-T 40, 63, 100, 125			
1	G	E17 518 308	THERMISTOR (ROOM)		1		TH21	
2	G	-	SENSOR COVER		1	(RG25V835G03)		
3	G	-	ELECTRICAL BOX		1	(BH00R345G06)		
4	G	E17 696 447	CONTROLLER BOARD		1		I.B.	
5	G	E17 489 337	REACTOR		1			
6	G	E17 696 456	ADDRESS BOARD		1			
7	G	E17 697 375	TERMINAL BLOCK	2P (1, 2)	1		TB15	
8	G	E17 696 375	TERMINAL BLOCK	3P (M1, M2, S)	1		TB5	
9	G	E17 155 375	TERMINAL BLOCK	3P (L, N, Earth)	1		TB2	
10	G	E17 250 382	FUSE	6.3A 250VAC	1		FUSE	
11	G	-	ELECTRICAL BOX COVER		1	(BH00R348G10)		
12	G	-	ELECTRICAL BOX COVER		1	(RG02V755G03)		
13	G	E12 661 385	VARISTOR		1		ZNR01,02	

2**OPTIONAL PARTS****2-1. WIRELESS REMOTE CONTROLLER KIT**

Part No.	PAR-SL94B-E
----------	-------------

2-2. WIRED REMOTE CONTROLLER (MA REMOTE CONTROLLER)

Part No.	PAR-21MAA
----------	-----------

2-3. WIRED REMOTE CONTROLLER (ME REMOTE CONTROLLER)

Part No.	PAR-F27MEA
----------	------------

2-4. DRAIN PUMP

Part No.	PAC-SH83DM-E	PAC-SH84DM-E
Applied model	PCFY-P40VKM-E	PCFY-P63,100,125VKM-E

2-5. HIGH EFFICIENCY FILTER

Part No.	PAC-SH88KF-E	PAC-SH89KF-E	PAC-SH90KF-E
Applied model	PCFY-P40VKM-E	PCFY-P63VKM-E	PCFY-P100,125VKM-E

CITY MULTI™

MITSUBISHI ELECTRIC CORPORATION

HEAD OFFICE : TOKYO BLDG., 2-7-3, MARUNOUCHI, CHIYODA-KU TOKYO 100-8310, JAPAN
