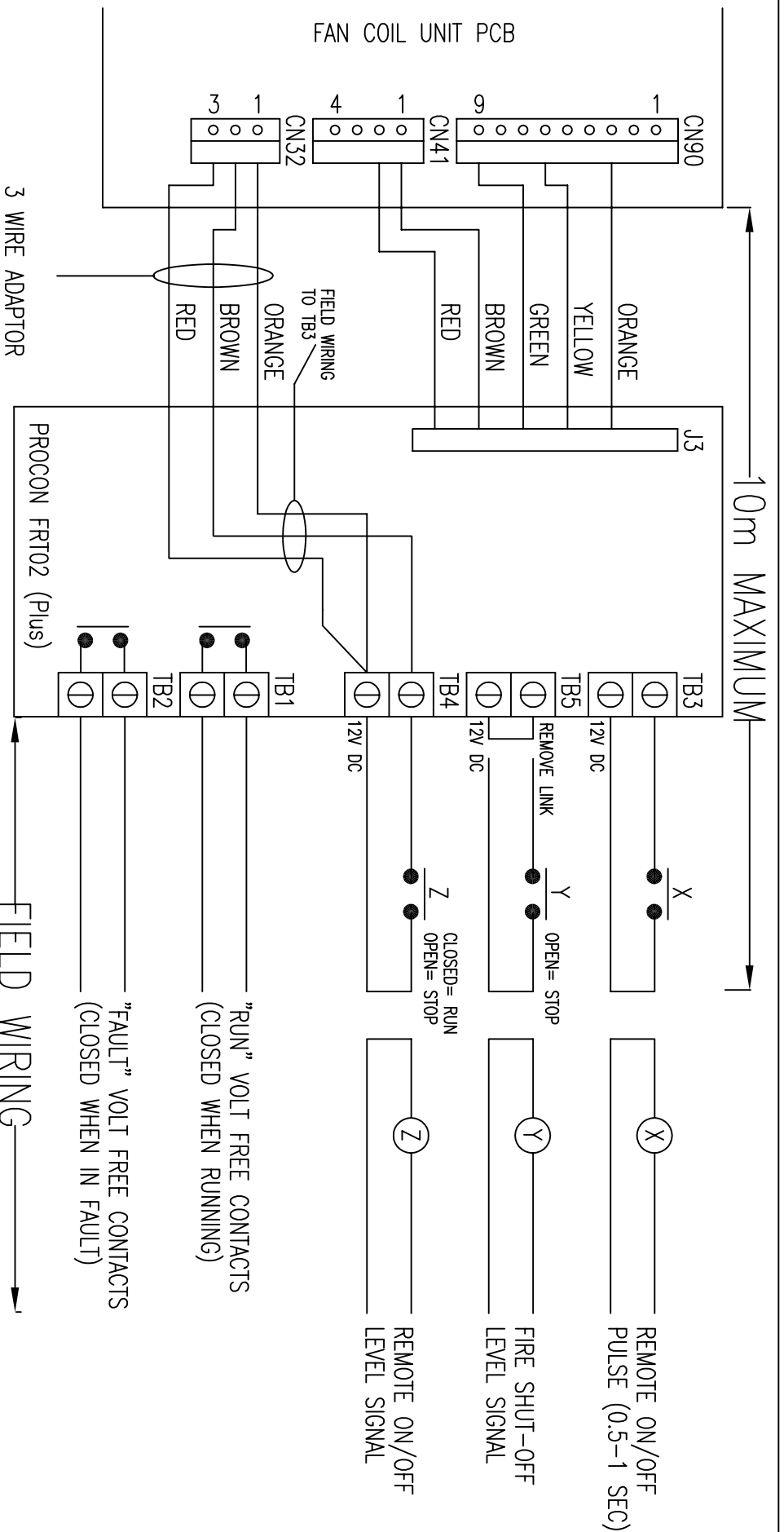


MODELS: PLHP..KAH, PCHP..GAH, PKHP..(F)(G)ALH, PEHDP..EAH  
 PLAP..KA, PCAP..GA, PKAP..(F)(G)AL, PEADP..EA



- NOTE:
- (1) IF PULSE SIGNAL ON/OFF IS NOT REQUIRED, DO NOT CONNECT PLUG INTO CN41
  - (2) IF LEVEL SIGNAL ON/OFF IS NOT REQUIRED, DO NOT CONNECT PLUG INTO CN32
  - (3) THE 'PKHP/PKAP' UNITS MUST HAVE THE OPTIONAL WIRED CONTROLLER KIT INSTALLED (PART NO. PAR20MATE)
  - (4) RUN/FAULT VFC's, EXTERNAL SIGNAL: 40V DC or 24V AC 50 mA MAX
  - (5) RELAYS 'X,Y&Z' SWITCH 12V DC SIGNALS (GENERATED AT THE FAN COIL UNIT PCB)

C:\WINNT\Profiles\gordon\Desktop\mitsi\_big.bmp

TITLE	DRAWN
MITSUBISHI "P" SERIES "A" CONTROL (R407C): PROCON FRT02 INTERFACE WIRING SCHEMATIC DRAWING NO. Procon FRT02 (Plus) Schematic	TSC
	DATE
	3/4/01