

*Changes for the Better*

**Mitsubishi Electric  
Air Conditioning Network System  
Centralized Controller G-50A and  
Integrated Centralized Control Software TG-2000A  
Technical Manual**




# G-50A System Design Manual CONTENTS


<b>1 Safety Precautions</b> .....	<b>1</b>
<b>2. Outline of product</b> .....	<b>3</b>
2.1 Function .....	4
2.2 Comparison table of function .....	14
2.3 Products list .....	15
2.4 Specification .....	16
<b>3. System Design Flow</b> .....	<b>17</b>
<b>4. Step 1: Selection of Air Conditioning Equipment</b> .....	<b>18</b>
4.1 Limitations .....	18
4.2 Control objective devices .....	18
4.3 The Combination of TG-2000A and G-50A .....	19
4.4 Limitation on transmission line wiring .....	20
<b>5. Step 2: Selecting System Management Parts</b> .....	<b>23</b>
5.1 M-NET system structure .....	23
5.2 External input/output .....	30
<b>6. Step 3: Construction of the G-50A system</b> .....	<b>32</b>
6.1 Centralized monitoring using a PC .....	33
6.2 About password control .....	38
6.3 Setting When the Remote Monitoring is conducted .....	39
6.4 Setting for Transmission of Error Mail .....	42
6.5 About LAN .....	44
<b>7. Step 4: Setting annual/weekly schedules</b> .....	<b>46</b>
7.1 Weekly schedule using the G-50A .....	47
7.2 Annual/weekly schedule using web monitoring .....	47
7.3 Weekly schedule of the integrated software .....	49
<b>8. Step 5: Charging Function of Energy Charge Measuring</b> .....	<b>50</b>
8.1 Outline .....	50
8.2 Selection of Charging Function .....	53
8.3 Basic Composition and Required Materials .....	54
8.4 Mechanism of Charge Calculation .....	61
8.5 Output of Charging Data .....	68
8.6 Charging Method .....	69
8.7 Caution for Using Charging Function .....	70
<b>9. Step 6: Energy Saving/Peak Cut Control</b> .....	<b>71</b>
9.1 Outline .....	72
9.2 Energy Saving Control .....	73
9.3 Peak Cut Control .....	76
9.4 Energy Saving Control Status · History Monitor .....	80
9.5 Peak Cut Control: Example .....	82
9.6 Steps in setting up an energy-saving control system .....	84
<b>10. Step 7: Selection of Measuring Instruments</b> .....	<b>86</b>
<b>11. Step 8: General Purpose Equipment Control</b> .....	<b>88</b>
11.1 Outline .....	89
11.2 System Design Method .....	89
11.3 Notes on using the general equipment control function .....	98
<b>12. Step 9: Determining Number of PLC Units</b> .....	<b>99</b>
12.1 PLC Standard Configuration .....	99
12.2 Connection method for a system with a charging function or peak cut control function .....	100
12.3 Connection method for a system with the general control function in use .....	102
12.4 Connection method for a system with a demand controller in use .....	104
12.5 PLC Software .....	105
12.6 External View of PLC (Sequencer) .....	106
12.7 PLC Wiring Diagram .....	107
<b>13. Step 10: Determination of Address for Air Conditioning Instrument and PC for Control</b> .....	<b>108</b>
13.1 Address Setting for Air Conditioning Instrument .....	108
13.2 Setting of LAN System .....	108
13.3 System Using Optical Cable for LAN .....	111

<b>14. Step 11: Confirmation of Other Functions</b> .....	<b>112</b>
14.1 Personal Web Function .....	112
14.2 Trend Data Output Function .....	114
<b>15. Initial Setting Tool</b> .....	<b>119</b>
15.1 What is the Initial Setting Tool? .....	119
15.2 Composition of Initial Setting Tool. ....	120
<b>16. Other function</b> .....	<b>122</b>
16.1 Auto-Changeover Function (Automatic Changeover of Cooling/Heating Operation) .....	122

# 1. Safety Precautions

- Before using this unit, be sure you read “Safety Precaution” carefully for proper usage.
- The “Safety Precautions” provide very important points regarding safety. Make sure you follow them.
- Danger caused by erroneous operation and the resultant degree are classified in the following table.

 **WARNING** Describes the items that cause serious danger of injury or death.

 **CAUTION** Describes the items that cause danger of injury or damage of household effects.

NOTE: When handling your PC, peripheral equipment or air conditioning equipment, please observe the warning and cautions of the installation manual and instruction manual.

## WARNING

**The user should never attempt to conduct installation work or electrical/wiring work.**

Ask these works for a specialist. Improper work may cause an electric shock or fire.

**Stop operation at an abnormal state.**

Continuing operation under abnormal state may cause an electric shock or fire. At abnormal state, stop operation and contact your dealer.

**Confirm that the power source is of the correct-rated capacity.**

Neglecting this may cause a fire or machine trouble.

**Do not dispose the unit by yourself.**

To dispose the unit, ask your dealer.

**Never attempt to reform or repair by yourself.**

Improper reform or repair may cause an electric shock or fire. For repair, ask your dealer.

**For your PC or peripheral equipment, read the installation manual and instruction manual carefully.**

Erroneous handling may cause the fire and machine trouble of the PC or peripheral equipment.

**Confirm installation status.**

Confirm that the unit is fastened at a stable position not to allow it to fall down easily.

**Please read the installation manual and instruction manual of air conditioner controllers.**

Erroneous handling may cause the fire or trouble of the controllers relating to the air conditioner.

**Do not move the unit by yourself.**

Improper installation may cause an electric shock or fire. Ask your dealer.

## CAUTION

**Do not place any dangerous matter around the unit.**

Do not install the unit at a place where combustible gas may leak. Gas if stagnated around the unit may cause a fire or explosion.

**Do not use the unit in a special environment.**

Using in a place with much machine oil, steam or sulfur gas may deteriorate the performance or damage parts.

**Do not wash the unit with water.**

This may cause an electric shock or machine trouble.

**Do not press the switch with sharp edges.**

This may cause an electric shock or machine trouble.

**Do not spray pesticide or combustible gas to the unit.**

Refrain from placing combustible spray can near the unit or spray it directly to the unit. Otherwise a fire or explosion may be caused.

**Do not use for a special purpose.**

This product is designed for Mitsubishi Building Air Conditioning Management system. Do not use for other air conditioners or applications. Neglecting this may cause erroneous operation.

 **CAUTION**

**Do not touch the button with wet fingers.**

An electric shock or machine trouble may be caused.

**Do not disassemble this unit.**

This may provide danger to touch the internal circuit board, or cause machine trouble.

**Do not wipe the unit with benzene, thinner or chemical waste.**

Neglecting this may change the color or cause machine trouble. When it is seriously dirty, first remove it with a squeezed cloth once damped with neutral detergent dissolved in water, and then clean with a dry cloth.

**Do not use software other than TG-2000A for computers with TG-2000A.**

Using other application software may cause a malfunction.

**Please observe the operating temperature range.**

Using under the environment outside of the operating temperature range may cause a serious trouble. Confirm the operating temperature range by the specification in the instruction manual. If not listed, use a range of 0 ~ 40°C.

**Do not draw or twist the transmission line.**

Neglecting this may cause a fire or machine trouble.

**Use a standard wire meeting the current capacity for wiring.**

Otherwise an electric leakage or fire may be caused.

**Take care regarding children.**

The inspection or adjustment work may be accompanied with danger. Do not allow children to enter the site.

**When installing the unit in a hospital or communication station, provide sufficient protection against noise.**

Erroneous operation or machine trouble may be caused by the effect of inverter equipment, private power generator, high-frequency medical equipment, wireless communication equipment, etc. Conversely the unit may affect such equipment, creating noise to disturb medical treatment or image broadcasting.

**About G-50A, integrated software (TG-2000A) and optional software**

Mitsubishi Electric Corporation, the sales company or the agency shall not be liable to customers under any circumstances for any incidental, secondary or a special damage, even if the dealer is notified of the possibility of such damages.

We shall not be liable for any insistence of rights of third party, either.

## 2. Outline of product

The G-50A is a centralized controller with higher function than that of conventional centralized controllers, realizing to use for Web, industry first. One set of this product can control and monitor the indoor unit up to 50 sets.

Further this centralized controller can monitor and control even on the browser soft (Internet Explorer Ver5 or upper) of a PC connected with LAN or telephone circuit.

Besides the basic control function of packaged air conditioners, the addition of the optional function offers "Annual schedule", "Calculation of Air-Conditioning energy charging", "Energy saving control" and other various function required by air conditioning management.

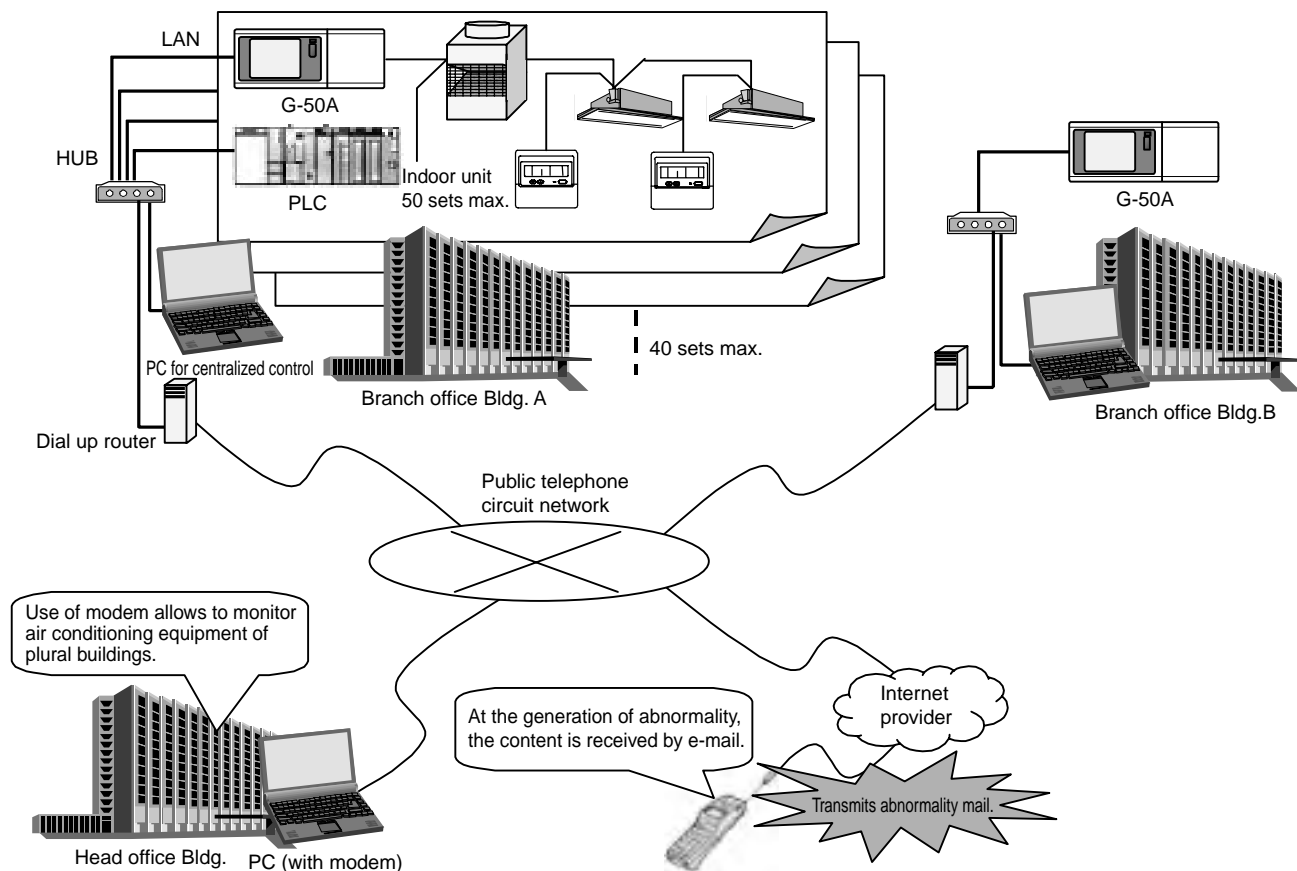


Figure 2-1 Composition image of G-50A system

# 2.1 Function

## 2.1.1 Centralized control with G-50A

The basic function of the G-50A unit is shown in the table below.

Table 2-1 List of centralized control function

Item	Content
Start/stop	Switching start/stop collectively or for each group
Operation mode	Switching cool/dry/fan/auto/heat collectively or for each group
Temperature setting	Setting room temperature collectively or for each group Set temperature range   Cool/dry : 19°C ~ 30°C Heat     : 17°C ~ 28°C Auto    : 19°C ~ 28°C (Settable temperature range differs depending on the model.)
Fan speed	Switching air velocity in 4 steps collectively or for each group. (Fan speed cannot be adjusted or can be adjusted in 2 or 3 steps depending on the model.)
Air direction	Switching in 4 steps vertically and for swing collectively or for each group (Selectable air direction differs depending on the model.)
Start/stop of interlocked equipment	Switching start (Hi/Lo)/stop collectively or for each group when connecting with interlocked equipment (Lossnay). (However, ventilation mode can not be selected for the interlocked equipment.)
Timer operation (Weekly)	Setting schedule operation per week to each group. ●Four operation patterns (P1~P4) can be set for one week. (Note that the pattern 4 is that prohibiting local remote controller operation) ●Start/stop can be set three times a day. ●“Temperature setting” or “Setback operation” interlocked with timer operation can be performed.
Prohibition of local control	Selecting items for which local control is prohibited collectively or for each group. (The items include start/stop, operation mode, temperature setting and filter sign.)
Filter sign display and reset	Resetting filter sign display collectively or for each group.
Abnormality record	Confirming the abnormality record for up to 64 cases in the past.
External input function	Controlling all air conditioners being managed for emergency stop/normal, start/stop, local remote controller control prohibited/permitted by external charged contact signal (DV12V or DC24V). (Requires the external input/output adapter, PAC-YG10HA-E.)
External output function	Outputting “Run” when one or more air conditioners are under operation, while “Generating abnormality” when one or more air conditioners are under abnormal status. (Requires the external input/output adapter, PAC-YG10HA-E.)

\*The above specification may be changed depending on the equipment connected or combined.

### Notice

- The control prohibition setting to K-control models is limited to start/stop, operation mode and set temperature only. These three items can not be permitted individually.
- When this unit receives control prohibition from other system controller, you are kindly requested to set to “Local prohibition setting” of the function setting No.4 = Not permitted (ON).
- For the group controlling Lossnay, prohibition setting is only applicable on the start/stop and filter sign resetting control.
- The control prohibition of filter sign is displayed only at the lighting of filter sign.



## 2.1.2 Centralized monitoring/controlling by Web browser

### (1) Features

- ① Without using a specific software, air conditioners can be controlled by your desk top PC by setting the system (Web browser function is an optional and requires license registration).
- ② On the one Web screen, operation status can be monitored in each G-50A unit (maximum 50 sets of indoor unit).
- ③ In addition to the group control like G-50A, control of a block (consist of groups) can be performed.
- ④ Annual schedule setting (Please refer to section 2.3 for function licence.) is possible.

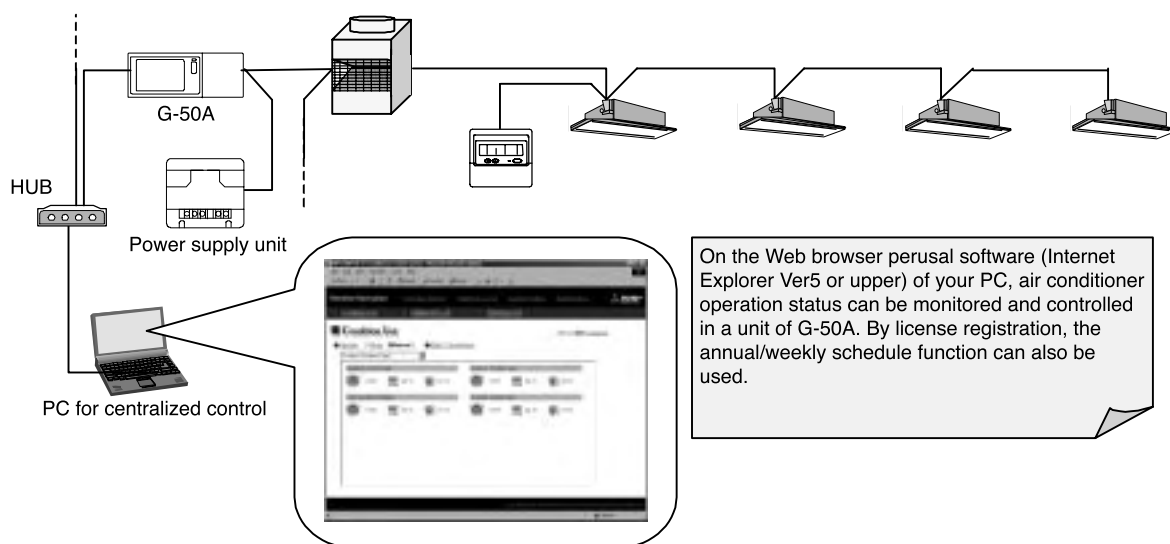


Figure 2-2 Outline diagram of Web browser system composition

### (2) Function list

In addition to the centralized control with G-50A unit, controlling of a block can also be performed by using the Web browser perusal software. The license registration required to use the various optional function can be applied through this screen.

Table 2-2 List of Web monitoring function

Item	Content
Start/stop	Switching start/stop collectively or for each group
Operation mode	Switching cool/dry/fan/auto/heat collectively or for each group
Temperature setting	Setting room temperature collectively or for each group Set temperature range Cool/dry : 19°C ~ 30°C Heat : 17°C ~ 28°C Auto : 19°C ~ 28°C
Air velocity	Switching air velocity in 4 steps collectively or for each group.
Air direction	Switching in 4 steps vertically and for swing collectively or for each group (Selectable air direction differs depending on the model.)
Start/stop of interlocked equipment (Lossnay)	Switching start (Hi/Lo)/stop collectively or for each group when connecting with interlocked equipment (Lossnay). (However, ventilation mode can not be selected for the interlocked equipment.)
Prohibition of local control	Selecting the items for which local control is prohibited collectively or for each group. (Items include start/stop, operation mode, temperature setting and filter sign.)
Filter sign display and reset	Filter sign display can be reset in each group or collectively.
Malfunction history	Malfunction history can be check up to 64 contents in both unit and communication error.
Annual/weekly schedule	Using the annual/weekly schedule function by license registration.
Malfunction e-mail history	E-mail history can be check up to 64 contents.

\*The above specification may be changed depending on the equipment connected or combined.

\*The block setting for Web display and the registration of block/group names require the initial setting tool.

\*Without prior notice, the content may be changed as it is under developing.

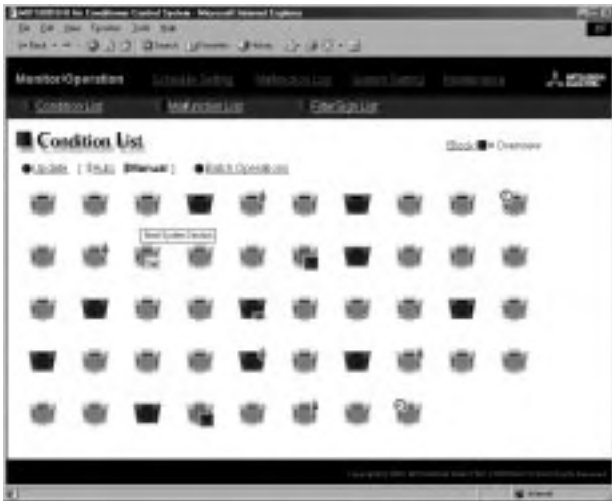
\*Please refer to section 2,3 for function licence.

### Notice

- The initial setting tool is required for the block set registration to monitor with Web browser. Setting of abnormal mail transmission and gateway address should be made through the initial setting tool.

### (3) Screen image

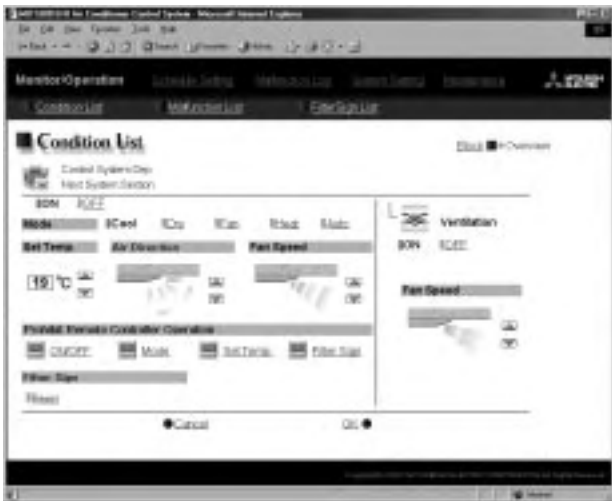
The screen images at Web monitoring are shown below.



Screen of air conditioner operation status (Batch display of all groups)



Screen of air conditioner operation status (Display of each block)



Control screen



Screen to display unit under abnormal state

















Screen to set weekly schedule



Screen to set annual schedule

#### (4) Explanation of icons

The air conditioner icons on the Web screen are shown below.

Item	Icon			
Operation status of air conditioner group	Operating 	Stopping 	Abnormality generated 	Filter sign generated 
Operation status of ventilation equipment group (Lossnay)	Operating 	Stopping 	Abnormality generated 	Filter sign generated 
Operation status of interlocked equipment	Interlocked ventilator operating 	Interlocked ventilator stopping 		
Schedule status	Schedule provided 	Schedule not provided 		
Energy-saving status	Controlling energy saving (operating) 	Controlling energy saving (stopping) 		

#### (5) User setting<sup>1</sup>

When monitoring with the Web browser, 2 users can be set.

As each user is given authority for each operation, the computer on the desk can be used as the local remote controller. Refer to 6.2.1 for detailed information.

#### (6) Remote monitoring

Connecting to the LAN where G-50A is installed through WAN or public line enables remote monitoring of air conditioners with the remote Web browser.

#### (7) Multilanguage display<sup>2</sup>

Monitoring can be conducted with languages other than English (French, German, Spanish, Italian, Russian, and Japanese) with the Web browser.

The OS in the computer is automatically judged and the monitoring screen will be displayed in the native language of the country. For example, when using English version Windows, English is displayed, when using French version Windows, French is displayed.

<sup>1</sup> When using Personal Web function, use G-50A Ver.2.70 or later.

<sup>2</sup> When using Multilanguage display function, use G-50A Ver.2.70 or later.

## 2.1.3 Centralized control by TG-2000A

### (1) Features

- ① The indoor unit up to 2,000 sets (40 sets of G-50A) can be controlled/monitored.
- ② The layout display of air conditioners provides convenience in managing and controlling.
- ③ Annual schedule can be set (requiring license registration in the optional function).
- ④ Thanks to the apportioned function of electric power (requiring license registration in the optional function), your PC may collect the electric power apportioned rate per indoor unit in CSV format. Then, you can calculate the air conditioning charge per group, block and area by inputting the WHM amount manually or summing up the value of WHM with the designated PLC (sequencer) and special program software (to count electric charge) or RS-485WHM. And also, electric (non Air conditioner), gas, water apportioned rate can be collected (In case of PLC and electric power apportioned rate software only).
- ⑤ Installing the exclusive software (for general equipment control) on PLC allows monitoring/operating of the air conditioners and system equipment of other makes.
- ⑥ The energy saving/peak-cut control function (optional function requiring license registration separately) can reduce the energy consumption of air conditioning equipment. By monitoring power consumption with PLC in addition, the peak-cut control corresponding to the power consumption can be performed.

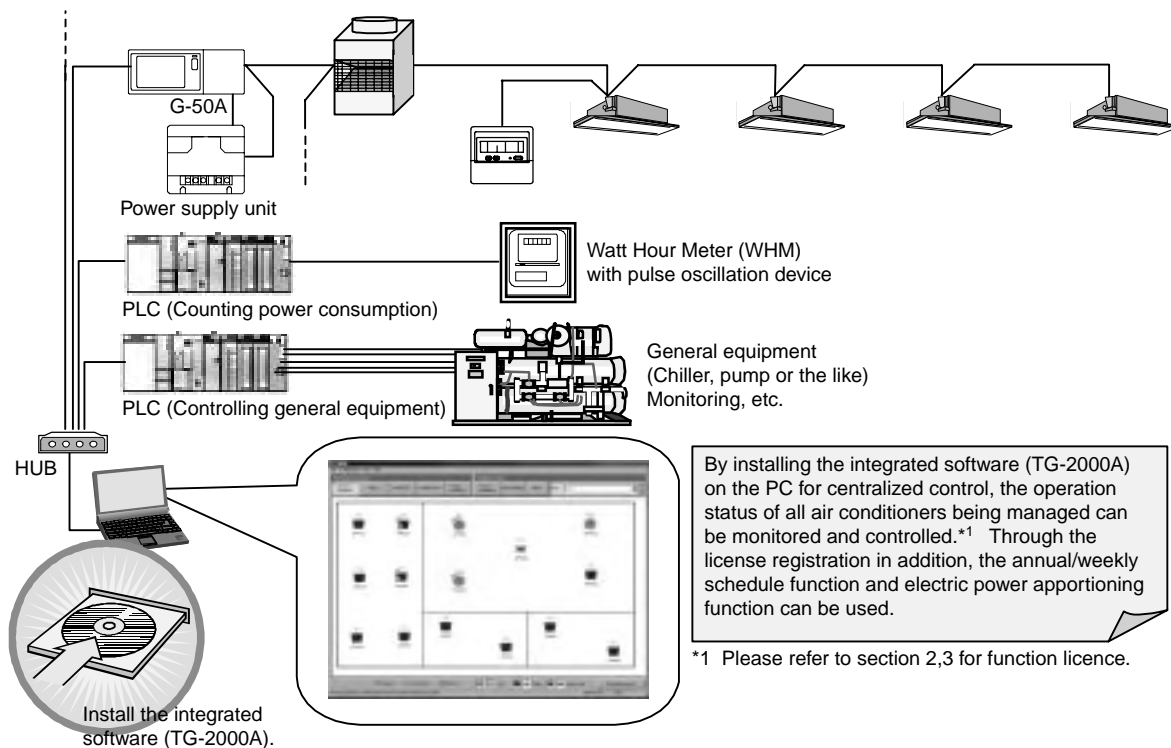


Figure 2-3 Outline diagram of integrated soft system composition

<sup>1</sup> The accounting block means a block for accounting configured by groups. As for details, refer to page 9.

## (2) Caution against PC used with TG-2000A (Outline)

### a) Items to be observed in selecting PC

#### **Please select a PC of desktop type.**

- Since a program is required to always be operated under powered state depending on the functions to be used, it is recommended not to employ a lap top type PC but employ a desktop type PC. It is because the lap top type PC's tends to be filled with heat more easily than the desk top type PC.
- Some lap top type models can not be operated for a long time.

#### **Recommend to install a UPS system on your PC.**

- In order to prevent your data from being damaged or missed by instantaneous stopping or failure of the power supply, it is recommended to install a UPS (Uninterrupted Power Source system) on your PC.  
Especially when using the power apportioned charging function, make sure to install the UPS without fail.

#### **Please prepare a PC/operating environment which allows TG-2000A to exhibit its function fully.**

- Use the OS with the specified operating environment. With other OS than specified, it is possible that TG-2000A may not be operated.
- Use a business model PC. In the case of the personal use model if employed, TG-2000A may not be installed or trouble may be induced in its operation due to conflict with other application.

### b) Items to be observed in use

#### **Do not place your PC unit in such places as listed below.**

- Otherwise erroneous operation or malfunction will be caused.

A dusty place; a place where shock or vibration is applied; a place with unstable foundation; a place near heating equipment; a place near strong magnetic field like speakers; a place exposed to direct sunlight for a long time; a place where falling over is; a highly humid place; a place with abrupt temperature change; a place where heat is stagnated

#### **For the PC and its peripheral equipment, be sure to read their installation manuals or instruction manuals.**

- Erroneous handling may cause a fire or trouble to the PC and its peripheral equipment.

#### **Do not cover the PC unit or AC adapter or place them near or on a heating instrument.**

- The internal temperature will rise possibly causing a fire, burn or machine trouble.

#### **When smoke, abnormal odor or sound is generated from the PC unit, or the unit is heated to such extent that you can not touch it directly with your hand, pull out the plug of the power cord from the plug socket immediately.**

- Continuing to use under this state may cause a fire, burning or electric shock. Consult your dealer or PC maker in such case.

#### **Please do not clog the ventilation opening of your PC.**

- If clogged, the internal temperature will rise, and a fire or machine trouble may be caused. Use your PC under well ventilated condition.

#### **Do not touch the ventilation opening of your PC.**

- As the temperature of exhaust air through the ventilation opening is higher than the room temperature, a burn may be caused if touched.

#### **When a lap top type PC is used, do not close its lid.**

- Otherwise, the internal temperature rises due to the stagnated heat which may cause a fire, burning or machine trouble. Use the PC with the lid opened under well ventilated condition.

#### **Please observe the caution on handling of the hard disk, floppy disk and CD media.**

- Do not give knock or vibration the hard disk, floppy disk or CD under operation.
- Do not turn the power source off or restart when the hard disk, floppy disk or CD is operating.
- Please do not move your PC when powered.

### c) For others

#### **Regarding PC and its peripheral equipment;**

- For the trouble with PC or its peripheral equipment, contact the maker. Please note that our company is not responsible for such trouble.



### (3) Function list

By utilizing the software (TG-2000A) and collecting the data of each G-50A, the operation control can be performed for up to 2000 indoor units in each floor or block on the PC screen. Please refer to section 2.3 for function licence. Additionally by using PLC (Programmable Logic Controller), general equipment can be controlled in addition to the electric power apportioning function and energy saving control.

Table 2-3 List of integrated software

Item	Content
Start/stop	Switching start/stop for whole building, or in each block, floor or group
Operation mode	Switching cool/dry/fan/auto/heat for whole building, or in each block, floor or group.
Temperature setting	Setting room temperature for whole building, or in each block, floor or group Set temperature range   Cool/dry : 19°C ~ 30°C Heat    : 17°C ~ 28°C Auto   : 19°C ~ 28°C
Air velocity	Switching air velocity in 4 steps for whole building, or in each block, floor or group.
Air direction	Switching in 4 steps vertically and for swing for whole building, or in each block, floor or group (Selectable air direction differs depending on the model.)
Start/stop of interlocked equipment (Lossnay)	Switching start (Hi/Lo)/stop for whole building, or in each block, floor or group when connecting with interlocked equipment (Lossnay). (However, ventilation mode can not be selected for interlocked equipment.)
Local control prohibition	For whole building, or in each block, floor or group, items for which local control is prohibited can be selected. (The items include start/stop, operation mode, set temperature, filter sign reset.)
Annual/weekly schedule	License registration allows you to use the annual/weekly schedule function. Two seasonal setting (for summer and winter) can be used.
Power apportioned charging (Manual input of WHM amount)	Through the license registration of G-50A unit, the power apportioning rate data per indoor unit can be output in CSV format. Further by inputting the WHM amount manually, the power consumed by each tenant can be calculated easily.
Power apportioned charging (Pulse account)	By registering license to G-50A, the air conditioning charge can be calculated through the apportioning of power consumption based on the air conditioner operating record per tenant by using PLC (Electric power counting software: PAC-YG11CDA) and WHM with pulse oscillation device.
Power apportioned charging (Direct collection of power consumption by PC)	Through the registration of license number to G-50A unit, the power consumption of air conditioner by each tenant can be calculated by using RS-485 watt-hour meter (only for the designated models).
History record	The abnormal history record can be stored up to 3,000 and operation history record can be stored up to 10,000 respectively. The history record may be output as a daily and monthly record in CSV format.
Operation time monitoring	The integrated operation time of each indoor unit group* <sup>1</sup> can be observed. It can be output as a file in CSV format. (This function is only effective when registering the charging function for license.)
Masking of filter sign display	The automatic display of the filter sign may be suspended. (for a whole system collectively) In this case, the state of the filter sign can be checked by manual operation.
Defrost/Protection	With the schedule of each group, a temperature of 12 ~ 16°C can be set under heating mode. However, only the M-NET indoor units are objected, while K-control and A-control indoor units are not objected. This function is effective only for ME remote controller system.
Set temperature range limit	It is possible to control the set temperature range from the remote controller or the browser screen of general users. The range limits include the lower limit value at cooling and the upper limit value at heating. This function is available only in the ME remote controller system. (PAR-F27MEA-E,F, PAC-SE51CRA-F)
General purpose control function	By installing the PLC software for general equipment to PLC, it is possible to schedule the operation and stop of other manufacturers' air conditioners and facilities, and monitor them and monitor their error.
Energy saving control	By registering the license number to G-50A, energy saving control is available. By setting the control contents per block from TG-2000A, energy saving rotation operation is carried out in each group.
Peak cut control	By registering the license number to G-50A, energy saving peak cut operation is available according to the electricity use amount. This control requires PLC (electric power amount count software) separately, and by connecting an electric power meter, energy saving operation can be made according to the electricity use amount.

\* The above functions are subject to change for improvement without notice.

\* The above functions are subject to change depending on the connected equipment or the combination of the equipment.

#### Notice

- The operation prohibition settings to K control type are only operation/stop, operation mode, and temperature setting. Whether prohibition or permission on these 3 items cannot be set individually.
- In the group controlling LOSSNAY, only operation/stop, and filter sign reset operation can be set for prohibition.
- Registration of the license number is carried out on each G-50A by the Web screen.

#### (4) Screen images

The screen images on the integrated software are shown as follows.



Screen to display each floor



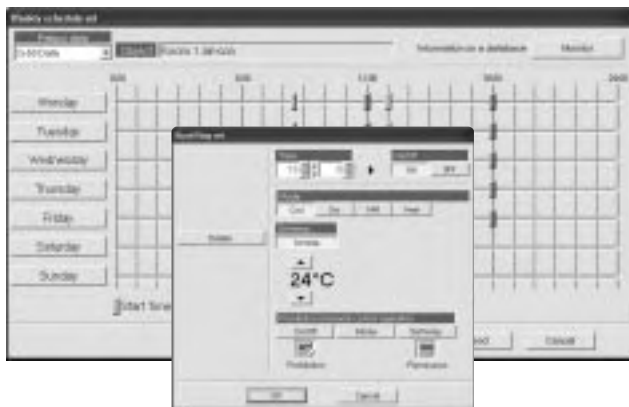
Screen to display all blocks



Screen to display whole building



Control setting screen



Screen to set weekly schedule



Screen to set annual schedule

## (5) Explanation of icons

The air conditioner icons on the TG-2000A screen are as shown below.

Item	Icon			
Operation status of air conditioner group	Operating 	Stopping 	Abnormality generated 	Filter sign generated 
Operation status of ventilation equipment group (Lossnay)	Operating 	Stopping 	Abnormality generated 	Filter sign generated 
Operation status of interlocked equipment Interlocked equipment operating	Interlocked equipment operating 	Interlocked equipment stopping 		
Schedule status	With schedule 	Without schedule 		
Operation prohibition status	Local remote controller control prohibited 	Operation prohibited Heat 		
Energy-saving status	Controlling energy saving (operating) 	Controlling energy saving (stopping) 		
Others, system equipment status	Abnormality G-50A 	Abnormality K transmission converter 	Abnormality outdoor unit 	Abnormality outdoor auxiliary unit 
General equipment status	Operating (monitor) ON 	Stopping (monitor) OFF 	Operating (operation) ON 	General equipment error ERROR   The icon color can be changed with error monitoring.
	With schedule ON 	Malfunction PLC 		



## (6) Remote monitoring, wide area (multiple buildings) monitoring<sup>1</sup>

Connecting to the LAN where G-50A is installed through WAN<sup>2</sup> or public line enables remote monitoring of air conditioners from TG-2000A.

When monitoring multiple buildings with TG-2000, use wide area mode version TG-2000A. The display of each building can be changed with simple operation and it is possible to monitor the operation status of air conditioners which are installed in each building.

When using the mail tool which is attached to wide area mode version TG-2000A, it is possible to confirm a list of error mails on the screen which are received from the G-50A of multiple buildings.

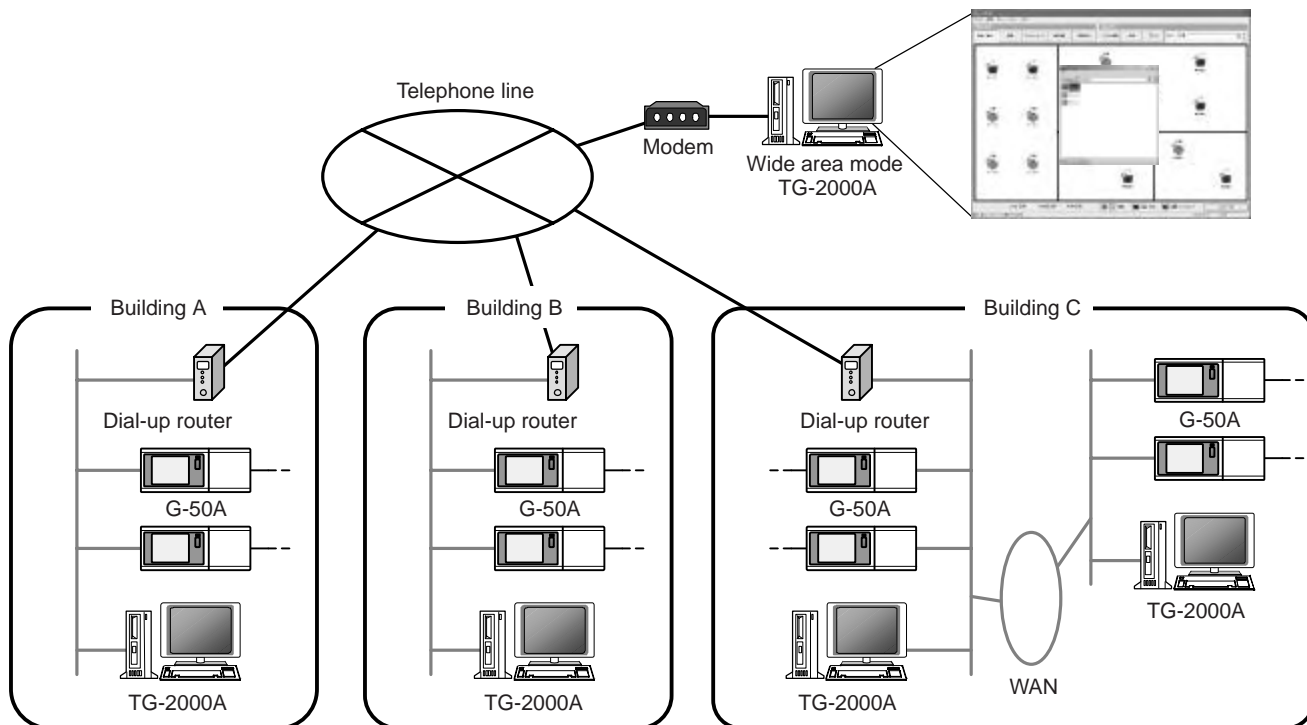


Figure 2-4 Wide area monitoring system example

\*The automatic CSV output function and the trend data output function (refer to chapter 14.2) cannot be used with wide area mode version TG-2000A.

\*When connected to the building (site), the time of the computer that is operated with wide area mode version TG-2000A will be set to the time of G-50A to be connected. Confirm and adjust the time of G-50A regularly, so that the time can be set correctly. (Adjust the time between 8:00-21:45 at local time.)

\*When the local building (site) system has been changed, reflect the new system to wide area TG-2000A. When the system information does not match, the operation screen may not be displayed normally.

\*Wide area mode version TG-2000A can control up to 40 G-50A units per one connection (site).

### 2.1.4 Remote monitoring/controlling - Transmitting of abnormal mail

Remote controlling and monitoring can be performed from LAN, public telephone line and PHS if available. The control items are same as that of Web monitoring/controlling (except general equipment).

Contracting with an internet provider can transmit an error code to the address designated by you at the generation of abnormality.

#### Notice

- The setting registration to transmit an error mail can only be made from the initial setting tool.

<sup>1</sup> When monitoring wide area (multiple buildings), use wide area mode TG-2000 Ver.4.6.1 or later.

<sup>2</sup> Abbreviation for Wide Area Network. In wide area network, multiple LAN (Local Area Network) is connected each other with private lines.

<sup>3</sup> Refer to chapter 6.4 for setting method of error mail notification.

## 2.2 Comparison table of function

Table 2-4 compares the function of G-50A unit, Web browser and TG-2000A as follows.

Table 2-4 Function comparison table

△ : per unit ○ : per group ● : per block ◎ : per G-50A □ : per floor ◇ : for whole building × : Unable to comply with — : Not provided

Item	Content	Controlling*7			Monitoring*7		
		G-50A	Web browser	TG-2000A	G-50A	Web browser	TG-2000A
Start/stop	Start/stop	○○	○●◎	○●□◇	○	○	○
Operation mode	Cool (Dry)/Heat/Fan/Auto	○○	○●◎	○●□◇	○	○	○
Set temperature	Set temperature range (Unit 1°C) Cool (Dry) : 19°C ~ 30°C Heat : 17°C ~ 28°C Auto : 19°C ~ 28°C	○○	○●◎	○●□◇	○	○	○
Set temperature range limiting function	With the local remote controller (ME remote controller), the lowest temperature is limited to that above 19°C at cooling (dry) and the highest temperature below 28°C at heating.	×	×	○●□◇	×	×	×
Air velocity switching	Air velocity (Hi/Med. 1/Med. 2/Lo)	○○	○●◎	○●□◇	○	○	○
Air direction switching	Air direction: Vertical/swing/fixd louver	○○	○●◎	○●□◇	○	○	○
Prohibition of local remote controller operation	Prohibited items Start/stop, Operation mode, Set temperature, Filter resetting	○○	○●◎	○●□◇	○	○	○
Group registration	—	○	×	○	○ (Grouping information monitor)	○ (Grouping information monitor)	○ (Grouping information monitor)
Filter sign	Monitoring/displaying of filter sign, allowing reset operation after cleaning.	○ (Reset)	○●◎ (Reset)	○●□◇ (Reset)	○	○	○
Abnormality of air conditioner	Displays the condition of abnormality/normal of air conditioners, and allows to release the abnormality.	○*6 (Releasing abnormality)	○●◎*6 (Releasing abnormality)	○●◎□◇*6 (Releasing abnormality)	○	○	○
Schedule	[Weekly schedule] Set unit: 1 minute Daily operation frequency: 12 times Items: Start/stop, Operation mode, Set temperature, Local control prohibition	×	○●◎	○●□◇	×	○	○
	[Annual schedule] Allows setting a special day for 50 times a year. [Daily schedule] Allows changing daily schedule only without changing weekly/annual schedules.						
	[Weekly schedule] Set unit: 10 minute Daily operation frequency: 3 times Allows setting start/stop pattern for 3 times and permit/prohibition pattern for 1 time.	○	×	×	○	—	—
Interlocked ventilation	Interlocked setting of indoor unit with ventilation equipment (Lossnay)	○	○	○	○	○	○
Ventilation switching	Switching the stop/Lo/Hi of interlocked ventilation equipment (Lossnay).	○ (Switching)	○●◎ (Switching)	○●□◇ (Switching)	○	○	○
Malfunction record	Observing malfunction history record about air conditioners.	—	—	—	○ (64 cases)	○ (64 cases)*3	○ (3000 cases) Allows outputting CSV file.*4
Operation record	Observing operation history record about air conditioners	—	—	—	×	×	○ (10,000 cases)*5
Integrated operation time*2	Observing integrated operation time per indoor unit. Allows printer and file outputting.	—	—	—	×	×	○
Electric power apportioning function*2	Apportioning the electric power consumed by air conditioners based on the operation time of indoor /outdoor units.	×	×	● (Charge block)	×	×	● (Charge block)
Energy saving/peak cut function	Allows the air conditioner to control energy saving.	×	×	◎◇*8 (Setting)	×	○	○

\*1 This is valid only when the week schedule/year schedule license is registered.

\*2 This is valid only when the charge license is registered.

\*3 Up to 64 error contents can be checked for unit errors and communication errors respectively.

\*4 Up to 3000 errors including errors (and others) detected by TG-2000A as well as unit errors and communication errors detected by G-50A can be recorded. They can also be output in CSV format.

\*5 10000 cases of the contents operated from TG-2000A can be recorded.

\*6 Error release operation unit is as shown in the table, and all the erroneous units of G-50A system where error release operation is made are released.

\*7 Please refer to section 2.3 for function licence.

\*8 The settable unit (indoor unit or outdoor unit) differs depending on the controlling content.

## 2.3 Products list

The functions to be coped with by G-50A, and necessary components, software and so forth are listed in Table 2-5.

Table 2-5 Products list

Name	System component						License registration	Others		
	Centralized controller	Transmission line power supply unit	TG-2000A Software	Electric Amount Count Software	PLC Software for General Equipment	PLC Software for Demand Input		PLC	Contract with provider	Other
Centralized control	<input type="radio"/>		<input type="radio"/>				<input type="radio"/> *10			
Web monitoring	<input type="radio"/>						<input type="radio"/> *10			
Personal web							<input type="radio"/> *11			
Remote monitoring/operation	<input type="radio"/>						<input type="radio"/> *10	<input type="radio"/>		
Annual/weekly schedule	<input type="radio"/> *1		<input type="radio"/>				<input type="radio"/> *2			
Simplified division accounting	<input type="radio"/>		<input type="radio"/>				<input type="radio"/> *3			
Full division accounting*13	PLC method	<input type="radio"/>	<input type="radio"/>	<input type="radio"/>			<input type="radio"/> *4	<input type="radio"/>		
	RS-485 method									<input type="radio"/> *12
Meter accounting (direct reading charging)	<input type="radio"/>		<input type="radio"/>	<input type="radio"/>			<input type="radio"/> *5	<input type="radio"/>		
General purpose device control	<input type="radio"/> *6		<input type="radio"/>			<input type="radio"/>		<input type="radio"/>		<input type="radio"/> *7
Saving energy control	<input type="radio"/>		<input type="radio"/>				<input type="radio"/> *8			
Peak cut control (Electric energy monitor method)	<input type="radio"/>		<input type="radio"/>	<input type="radio"/>			<input type="radio"/> *9	<input type="radio"/>		
Peak cut control (Demand controller method)	<input type="radio"/>		<input type="radio"/>			<input type="radio"/>	<input type="radio"/> *9	<input type="radio"/>		

\*1 It is possible to use the Annual/Weekly schedule function without TG-2000A. However, part of functions are not available. As for details, refer to "Step 4 : Conduct of Annual/Weekly Schedule" section.

\*2 The Annual/Weekly Schedule license is required.

\*3 The Charge license is required.

\*4 The Charge license is required.

\*5 The Charge license is required.

\*6 The control on only general purpose devices is not applied at present. It is necessary to connect G-50A without fail.

\*7 Other sequencer (PLC) than the pulse count software is required.

\*8 The Saving Energy Control license is required.

\*9 The Saving Energy Control (Peak Cut) license is required.

\*10 The Web Monitor license is required.

\*11 The Personal and Web Monitor license is required.

\*12 RS-485WHM, and converters such as RS-232C, RS-485 or the like are required.

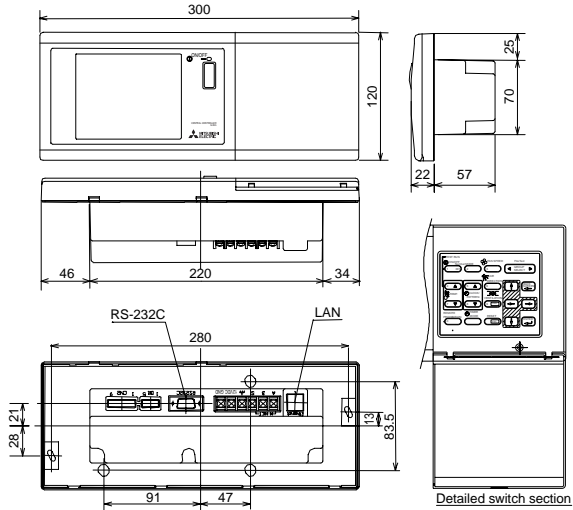
\*13 Only either PLC type or RS-485WHM type can be used.

Table 2-6 Function and license list

Necessary license		Web Monitor	Charge	Annual Schedule Weekly Schedule	Sending Error Mail	Saving Energy Control	Saving Energy Control (Peak Cut)	Personal Web	PLC for General Equipments	Maintenance Tool Advanced	Maintenance Tool	BACnet
G-50A	Web browser (Web for administrators)	<input type="radio"/>										
	Personal Web (Web for public users)							<input type="radio"/>				
	Error mail notification				<input type="radio"/>							
	Annual/Weekly schedule			<input type="radio"/>								
TG-2000A	Monitoring/operation of air conditioners	<input type="radio"/>										
	Annual/Weekly schedule	<input type="radio"/>		<input type="radio"/>								
	Power apportioning charging	<input type="radio"/>	<input type="radio"/>									
	Air conditioner operation time accumulation	<input type="radio"/>	<input type="radio"/>									
	Saving Energy Control	<input type="radio"/>				<input type="radio"/>						
	Saving Energy Control & Peak Cut	<input type="radio"/>					<input type="radio"/>					
	Monitoring/operation of general equipments (Ver. 1 series)	<input type="radio"/>										
	Monitoring/operation of general equipments (Ver. 2 series)	<input type="radio"/>							<input type="radio"/>			
Maintenance tool	Maintenance tool (Ver. 4.02 -)									<input type="radio"/>		
	Maintenance tool simplified version (Ver. 4.02D -)										<input type="radio"/>	
BACnet	BACnet Interface Software											<input type="radio"/>

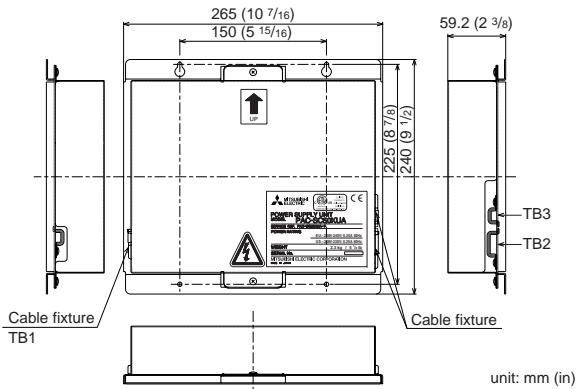
# 2.4 Specification

## 2.4.1 Centralized controller: G-50A



Item	Detail
Dimensions	120 (H) × 300 (W) × 80 (19)(D) mm
Weight	1.0kg / 2 1/4 lb
Power source	DC24V, 0.02A (Maximum loading) Power received from PAC-SC50KUA Power Supply Unit via M-NET transmission line. DC12V, 0.2A (Maximum loading) Power received from PAC-SC50KUA Power Supply Unit via the DC power line.
Power consumption	0.2A
Environmental condition	Temperature: 0 to 40°C / 32 to 104°F Humidity: 30 ~ 90%RH (No condensation allowed)
Material	ABS
External color	Cover section: White gray (MUNSELL 4.48Y7.92/0.66) Liquid crystal surrounding section: Medium gray (DIC551)
Installation environment	Mount to a electric box. Connect the M-NET transmission line (centralized control line which is connected to TB7 of the outdoor unit) to M-NET transmission line terminal A and B. (Non Polarity) Connect the DC power line from the power supply unit (PAC-SC50KUA) to the DC power supply terminal block of this device. There is a 12VDC and a GND polarity.

## 2.4.2 Power supply unit: PAC-SC50KUA

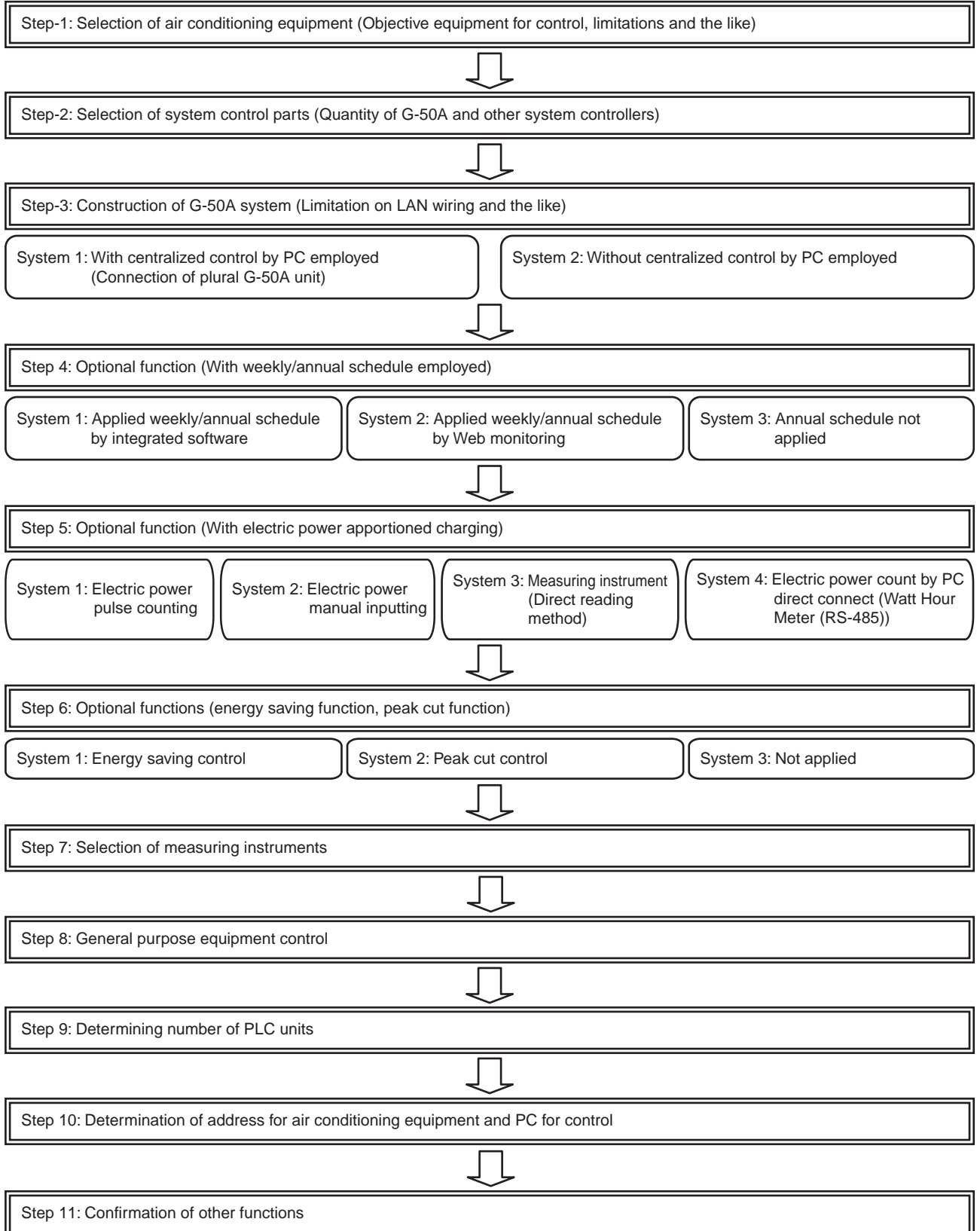


Item	Detail	
Source power requirement	Rated input voltage and current	EU: ~ 220V - 240V; 0.25A/50Hz Single-phase US: ~ 208V - 230V; 0.25A/60Hz Single-phase
	Fuse:	2.0A Time-delay type (IEC127-2 S.S.5)
Output voltage/current	M-NET	: DC24V 0.45A (Maximum loading)
	DC power supply:	DC12V 0.2A (Maximum loading)
Load capacity	Number of the loading unit: G-50A Central Controller 1 unit	
Environmental condition	Temperature	Operating range 0 to 40°C/32 to 104°F Storage range -20 to 60°C/-4 to 140°F
	Humidity	30 ~ 90%RH (No condensation)
Dimensions	240(H) × 265(W) × 59.2(D) mm/9 1/2(H) × 10 7/16(W) × 2 3/8(D) in	
Weight	2.3kg / 5 1/8 lb	
Installation environment	In the control panel box (indoor) *This unit is installed and used in a business office or equivalent environment.	

<sup>1</sup> Refer to chapter 5.1.2 and 5.1.3 for power supply.

# 3. System Design Flow

The design flow to construct the G-50A system is given below.



# 4. Step 1: Selection of Air Conditioning Equipment

In order to construct the system, air conditioning equipment should be selected firstly.

This chapter introduces the air conditioners that can be controlled with G-50A and various limitations applicable. For the detail of air conditioning equipment, please refer to the manual of the relating air conditioner.

## 4.1 Limitations

### 4.1.1 Limitations on system composition

Table 4-1 Limitations on system composition

Item	Limitation	Detail
Controllable indoor unit quantity with 1 set of G-50A	50 sets	1 set of G-50A can control indoor unit up to 50 sets. Lossnay if connected should be included in this figure.
Connecting quantity of G-50A	1 set	As G-50A will be the upper system controller inside a centralized system, the quantity of G-50A connectable with the centralized system counts for 1 set only.
Controlling quantity of integrated software	40 sets of G-50A	The quantity of G-50A that can be controlled with the integrated software is 40 sets. This can be converted into air conditioner indoor unit of 2000 sets maximum.

### 4.1.2 Limitation on group setting

Table 4-2 Limitation on group setting

Item	Limitation	Detail
Connectable remote controller within 1 group	Up to 2 sets	For the MA remote controllers, group setting is not necessary for G-50A. (ME and MA remote controllers can not be used together within a same group.)
Connectable indoor unit within 1 group	Up to 16 sets	The indoor unit, K-control indoor unit, A-control indoor unit and Lossnay can not be grouped. The setting that runs over G-50A can not be applied.
Registration of system controller and remote controller within 1 group	Up to 4 sets	Not including the quantity of G-50A
Groups on 1 floor	Up to 50 groups	On the screen of whole building display, 50 groups maximum can be configured and displayed per floor. (At displaying of floor screen, it may not be displayed due to the floor diagram.)

## 4.2 Control objective devices

Table 4-3 Control objective devices

Function		Monitoring/operation	Power apportioning charging (without electric meter)	Power apportioning charging (with electric meter)	Energy saving/ peak cut	Night mode setting *3
Type						
City Multi (free plan non heat reservation type)	City Multi Y	○		○*2	○	○
	City Multi Super Y	○		○	○	○
	City Multi R2	○		○*2	○	○
	City Multi WR2	○		○*2	○	×
	City Multi WY	○		○	○	×
	City Multi S	○		○	○*6	×
	A control slim type	○*1	×	△*4	△*6	×
	Room air conditioner	×	×	×	×	×
LOSSNAY	Free plan LOSSNAY	○	×	△*4	△*9	×
	LOSSNAY with heating and moistening	○	×	△*4	△*8	×
Others	K control type	○*1	×	△*4	△*7	×

\*1 An adaptor is required separately.

A control slim type: M-NET connection adaptor, K control type: K transfer converter, Room air conditioner: M-NET control interface.

\*2 The indoor units before free plan are not applied for Power apportioning charging. (They are according to electricity amount pulse count method (direct reading method).)

Free plan indoor unit : P\*FY model, before free plan indoor unit : P\*RY model and older.

\*3 M-NET model outdoor unit YMF-B type or later is applied.

\*4 This can be applied in the case of use by WHM.

\*5 Application by FAN operation is possible.

\*6 Performance save control to outdoor units are not available.

\*7 Thermo OFF control to indoor units is not available, therefore FAN operation control is carried out.

\*8 In the case of use by IC properties, energy saving control similar to free plan indoor units can be carried out.

With FU properties, same control as free plan LOSSNAY is available.

\*9 Only the stop control is valid.

## 4.3 The Combination of TG-2000A and G-50A

TG-2000A	G-50A							TG-2000 function overview
	Ver.1.03~ Ver.2.30 <sup>*2</sup>	Ver.2.31	Ver.2.50 <sup>*3</sup>	Ver.2.51	Ver.2.60	Ver.2.70	Ver.2.71	
Ver.2.00 ~	○	○	×	×	×	×	×	Electricity apportioning charge (hand input of electricity amount, RS-485 WHM method)
Ver.4.10 ~	(○) <sup>*1</sup>	(○) <sup>*5</sup>	○	○	○	○	×	Electricity apportioning charge(Pulse count) Energy saving/peak cut Set temperature range limit (for the ME remote controller)
Ver.4.30 ~	(○)	(○)	○	○	○	○	×	Electricity apportioning charge (gas and water line) General equipment monitoring operation
Ver.4.40 ~	(○)	(○)	(○)	(○)	○	○	×	Trend function <sup>*5</sup> Auto-change over
Ver.4.50 ~	(○)	(○)	(○)	(○)	○	○	×	Night mode schedule Peak cut (for demand input PLC) General equipment control (for schedule and free contact) <sup>*4</sup>
Ver.4.60 ~	○	○	○	○	○	○	×	Wide area (multiple buildings) monitoring
Ver.4.70 ~	(○)	(○)	(○)	(○)	(○)	(○)	○	Set temperature range limit (for ME compact remote controller)

\*1 The functions which are shown in the "TG-2000A function overview" table above cannot be used with the G-50A whose version is (0).

\*2 When apportioning the electricity charge, use G-50A Ver.2.31 or later.

\*3 When G-50A Ver.2.50 or later is used, TG-2000A Ver.2.00 cannot be used.

\*4 When using the control function for the general equipment, use G-50A Ver.2.70 or later.

\*5 The trend function can be used with G-50A Ver.2.31 or later.



# 4.4 Limitation on transmission line wiring

The material and wiring limitation of transmission line and signal line are given in Table 4-4. For the detail of the limitation on each wiring length, please refer to Items 4.4.1.

Table 4-4 Materials used for transmission/signal lines and limitation of wiring length

Transmission route	Wire type	Limitation on wire length
Centralized control system M-NET bus	CVVS1.25mm <sup>2</sup> -2C or CPEVSf1.2-1P	Total wiring length: 500m or less
Indoor-outdoor transmission system M-NET bus	CVVS1.25mm <sup>2</sup> -2C or CPEVSf1.2-1P In case when the wiring length of cable connecting to local remote controller is less than 10m, use 2-core cable of 0.3 ~ 1.25mm <sup>2</sup> (recommend to use 0.75mm <sup>2</sup> or less for wiring convenience). When it exceeds 10m, use CVVS1.25mm <sup>2</sup> -2C or CPEVSf1.2-1P for the exceeded portion.	Centralized control system M-NET bus (Power supply distance): 200m or less Indoor-outdoor transmission line M-NET bus (Power supply distance): 200m or less Remote controller wiring: 10m or less
Indoor-outdoor connecting line of A-control Slim air conditioner	VVFf1.6 -3C For the cable connecting with local remote controller, use the optional remote controller cable (wire length of 10m ~ 20m) or 2-core cable of 0.3 ~ 1.25mm <sup>2</sup> .	Total wiring length: 50m or less Remote controller wiring length: 10m or less (Extendable up to 200m)
K-control transmission line	2-core cable of f1.6 or more Wire type: Use any of VCTF, VCTFK, CVV, CVS, VVR, VVF or VCT. When the cable connecting to local remote controller is less than 12m, use 2-core cable of 0.5 ~ 0.75mm <sup>2</sup> , while when it exceeds 12m, use the above cable for the exceeded portion.	Total wiring length in case of K-control model 20 sets and local remote controller of 10 sets or less: 500m or less K-control model 50 sets and local remote controller of 25 sets or less: 200m or less Other than above: Requires relay board. Remote controller wiring: 12m or less

## 4.4.1 M-NET transmission line

Figure 4-1 shows the wiring example of M-NET bus.

When the centralized control system M-NET bus and indoor-outdoor transmission M-NET bus per one system are shown in relation with the wiring length limitation, the total wiring length in the following example can be expressed by the following equation.

This represents the distance limitation to perform proper communication with other equipment on M-NET bus. If this distance is exceeded, M-NET signal can not reach the end equipment thus making the communication and control impossible.

$$a+b+d+e(f) \leq 500m \quad a+b+c+g \leq 500m \quad e(f)+d+c+g \leq 500m$$

The local remote controller wiring length counts for 10m or less. When it exceeds 10m, add the exceeded length to the value of "total wiring length 500m or less."

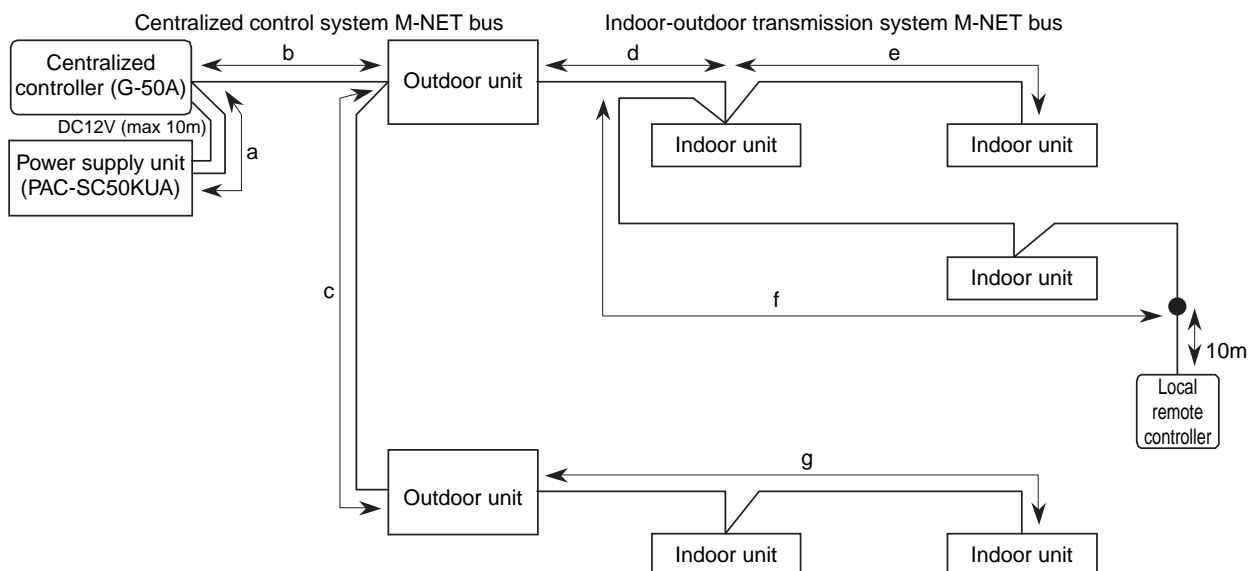


Figure 4-1 M-NET bus wiring diagram



### (1) Centralized control system M-NET bus

The power supply distance of the centralized control system M-NET bus can be expressed by the equation below.

This represents the distance limitation to allow powering of the centralized control system M-NET bus. Exceeding this distance makes the power supply to the end equipment impossible, thus disabling communication and control.

$$a+b \leq 200m \quad a+b+c \leq 200m$$

### (2) Indoor-outdoor transmission system M-NET bus

The power supply distance of the indoor-outdoor transmission system M-NET bus can be expressed by the equation below.

This represents the distance limitation to allow powering of the Indoor-outdoor transmission system M-NET bus. Exceeding this distance makes the power supply to the end equipment impossible, thus disabling communication and control.

$$d+e(f) \leq 200m \quad g \leq 200m$$

When the wiring length of local remote controller exceeds 10m, add the exceeded portion to the value of “total wiring length of 500m or less” and “power supply distance of 200m or less.”

## 4.4.2 A-control transmission line

Arrange the total wiring length per 1 set of air conditioner as follows in the case of the example 4-2.

Total wiring length (k): 50m or less

Local remote controller wiring: 10m or 20m or less for the optional remote controller cable  
When using 2-core cable of 0.3 ~ 1.25mm<sup>2</sup>, it can be extended up to 200m.

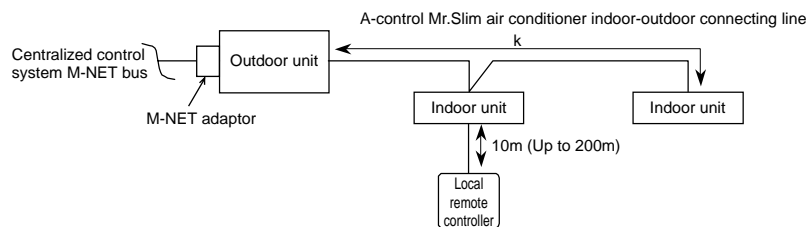


Figure 4-2 A-control model wiring example

## 4.4.3 K-control transmission line

### (1) In case of K-control Mr.Slim air conditioning system

Total wiring length (m): Indoor unit 20 sets, local remote controller 10 sets or more ----- 500m or less  
Indoor unit 50 sets, local remote controller 20 sets or less ----- 200m or less

Local remote controller wiring: 12m or less for the remote controller cable attached  
When it exceeds 12m, change the exceeded portion with wiring of  $\phi 1.6$  or more and add it to value of the total wiring length (m).

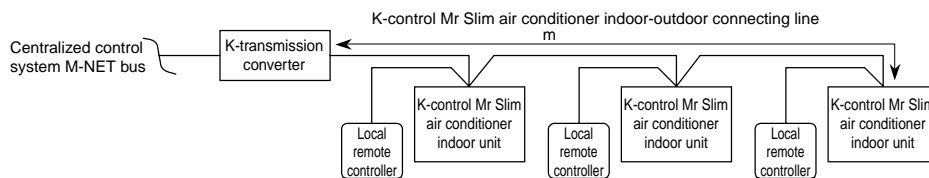


Figure 4-3 K-control Mr.Slim air conditioner wiring example

[Example to use relay board]

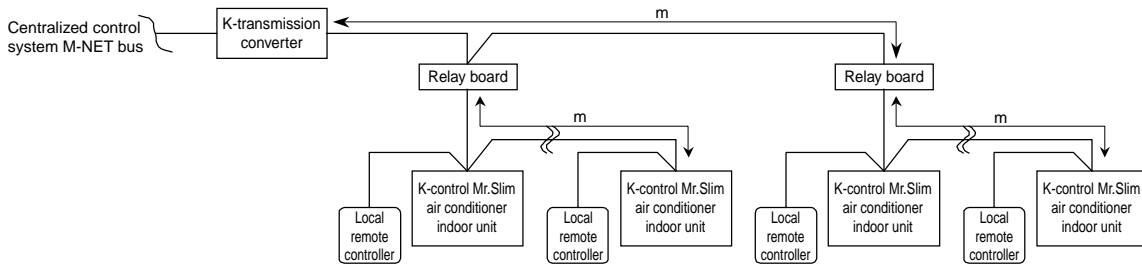


Figure 4-4 Relay board wiring example

(2) In case of K-control Y-series system

Total wiring length (p): 500m or less, when exceeded this length, be sure to use the relay board.

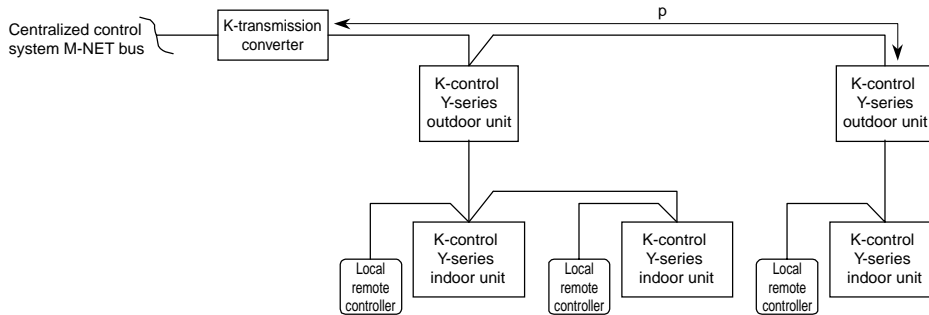


Figure 4-5 K-control Y-series wiring example

(3) In case of system where K-control Mr.Slim air conditioner and Y-series are mixed

Be sure to use the relay board as shown in the figure below, and connect the indoor unit of K-control Mr.Slim air conditioner to the secondary side of the relay board.

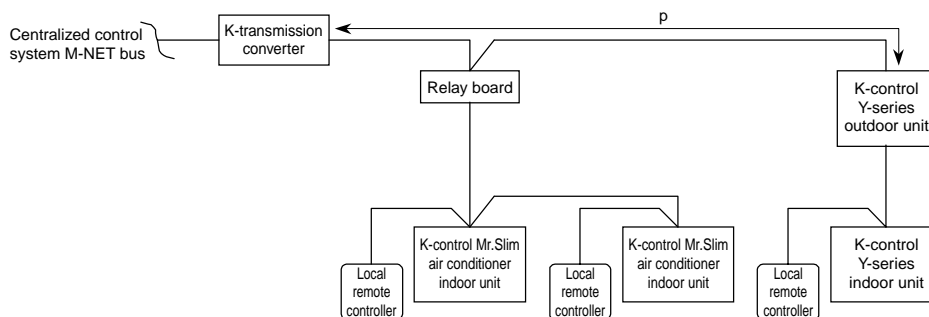


Figure 4-6 K-control mixing system example

[Caution for wiring connection work]



- The wiring connection work of the equipment delivered (MELANS equipment, air conditioning equipment, etc.) including power and earth lines.
- Install the transmission line and signal line apart from the power line and earth line. If not, the noise from the power/earth lines will mix into the transmission line or signal line causing to generate erroneous operation.
- In case of shielded line, provide one-point grounding at each transmission line. (Relay shielded line at the terminal block of each equipment.)

# 5. Step 2: Selecting System Management Parts

## 5.1 M-NET system structure

There are cases in which other System Controllers (SC) besides model G-50A can be run on the G-50A system structure.

In order to do so, the following outlines a number of rules to be observed for system management.

### 5.1.1 Concept of the system controller

The G-50A is always the host system of a self-controlling system structure.

In addition, for a SC enabling the setting to permit prohibition of the local remote controller operation, please set up the system in such a way the setting is done with 1 SC unit for the remote controller in question.

#### (1) Main system controller and sub system controller

When an air conditioning system is supposed, the system controller (SC) to control the entire operation system connection information is positioned as the main SC. While, the sub SC means the SC to control air conditioners by receiving the operation system connection information from the main SC.

Therefore, the initial settings including group setting and so forth may be made basically only on the main SC, and there is no need to carry out the group setting on the sub SC.

Priority of the main SC is determined according to the functions of the SC (the number of units to control, the number of groups to control, etc.).

G-50A is the most multifunctional type in the system, accordingly it always becomes the main SC.

(Main SC priority)

G-50A > PAC-SF44SRA > PAC-YT34STA > PAC-YT40ANRA > PAC-SC30GRA > PAC-YV02LMAP

#### (2) SC setting the prohibition remote controller operation

This SC can prohibit the operation of remote controller.

The number of "SC setting the prohibition of remote controller operation" must be one for each remote controller.

Normally, in the G-50A system, the G-50A is the SC setting the prohibition of remote controller operation. However, in the case you want to disable operation of the remote controller using another SC (sub SC), please select "Disable the setting from this unit to prohibit remote control" during initial setup of G-50A. (Refer to following figure).

For details, please refer to the operation manuals of each SC.

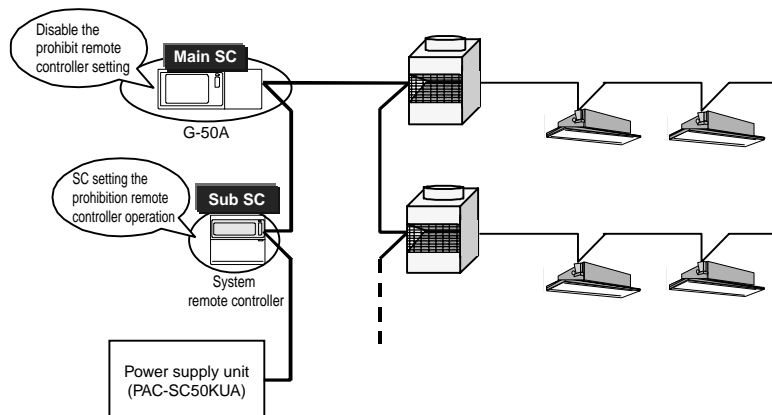


Figure 5-1 System controller concept

## 5.1.2 Regarding power supply within the system

### (1) Regarding power supply parts

Within the G-50A system, the parts serving to supply electricity are fixed for each transmission line. Please take care there is duplicate any one transmission line.

- Centralized control transmission line : supplied by transmission line supply unit
- Indoor/outdoor transmission line : supplied by outdoor unit
- K-control centralized transmission line : supplied by K-transmission converter (KA)
- Extended transmission line : supplied by relay port

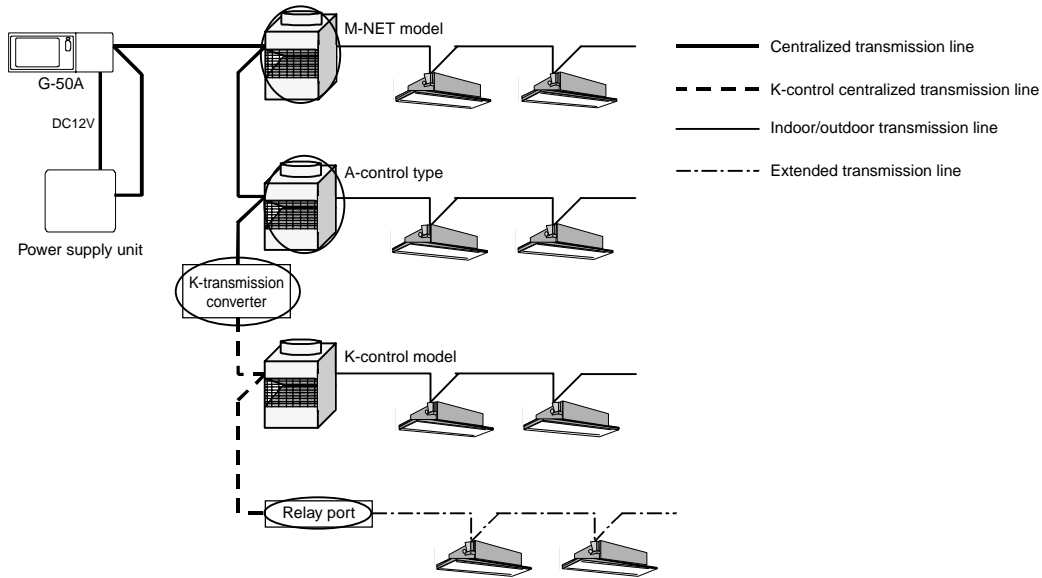


Figure 5-2 Transmission line supply classification

Only for the Lossnay system, please use the power supply unit (PAC-SC50KUA, PAC-SF46EPA).

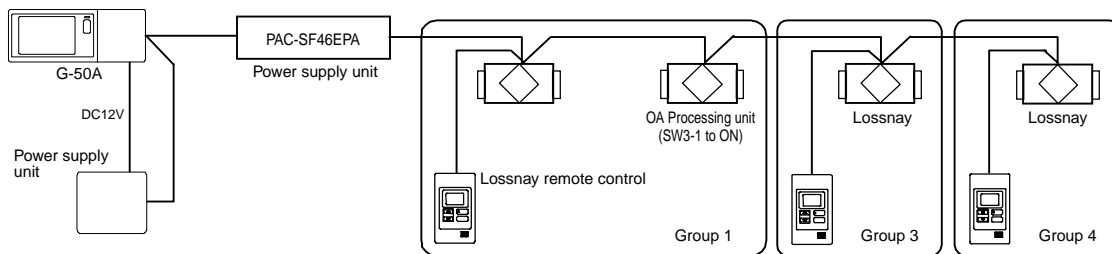
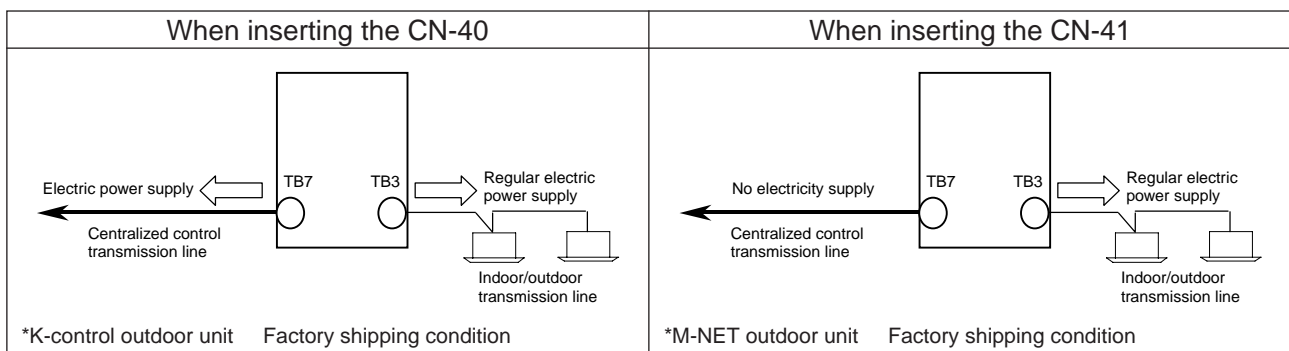


Figure 5-3 Electricity supply using a Lossnay system

### (2) Definition of the supply connector in the outdoor unit

In the outdoor unit, the power supply to the centralized control transmission line is determined by where the supply connector is packaged.



### 5.1.3 Selecting a power supply unit

G-50A operates on a DC12V current, and it requires power feeding of an M-NET transmission line in order to communicate with the air conditioners.

#### (1) Connecting to the centralized control transmission line

##### (1-1) Supplying power from the power supply unit PAC-SC50KUA

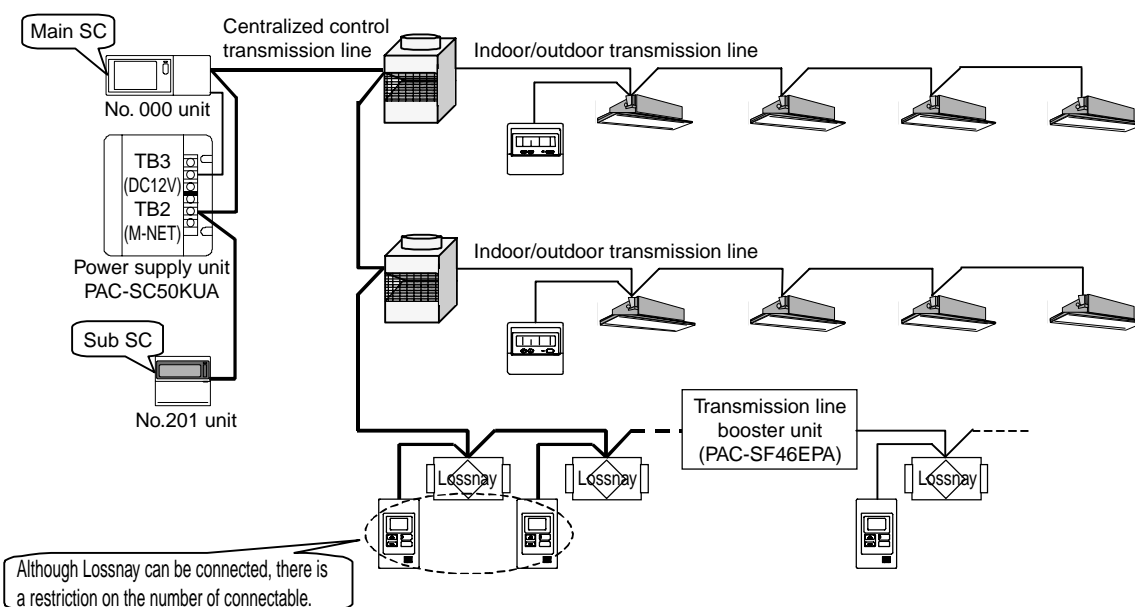


Figure 5-4 Connection of centralized control transmission line (PAC-SC50KUA power supply)

Power consumption unit ratio for each controller when power consumption of indoor unit control board is set to one unit is shown in the table below.

Table 5-1 Power consumption unit for each controller

Central controller (G-50A)	Other system controllers		Remote controllers
	ON/OFF remote controller (AN)	System remote controller (SR) Schedule timer (ST) Group remote controller (GR)	ME remote controller LOSSNAY remote controller
0.5	1	0.5	0.25

As the power supply unit PAC-SC50KUA can supply 6 power consumption units at maximum, the maximum number of connectable units is shown below.

In this case, leave the power supply switch connector CN41 on the outdoor unit as it is (factory setting).

Table 5-2 Maximum number of connectable units for each controller (with the use of PAC-SC50KUA)

Central controller (G-50A)	Other system controllers		Remote controllers
	ON/OFF remote controller (AN)	System remote controller (SR) Schedule timer (ST) Group remote controller (GR)	ME remote controller LOSSNAY remote controller
2 units (Note 1)	6 units	12 units	24 units

If the number of connected units exceeds the limit, use a power supply extension unit for transmission lines (PAC-SF46EPA). When PAC-SF46EPA is connected, controllers for 50 remote controllers (12.5 [Power consumption unit]) can be added.

#### (Note 1)

The number of connectable G-50A units is 2 due to the power supply capacity of DC12V.  
2 central controllers (G-50A) may be connected when system is divided.

Refer to the following table for the number of connectable system controllers when connecting one G-50A unit.

Table 5-3 Number of connectable units for each controller

V : Connectable

		Total number of ON/OFF remote controller (AN)						
		0	1	2	3	4	5	6
Total number of System remote controller (SR) Schedule timer (ST) Group remote controller (GR)	0	-	V	V	V	V	V	
	1	V	V	V	V	V	V	
	2	V	V	V	V	V		
	3	V	V	V	V	V		
	4	V	V	V	V			
	5	V	V	V	V			
	6	V	V	V				
	7	V	V	V				
	8	V	V					
	9	V	V					
	10	V						
	11	V						
	12							

 **CAUTION**

- When using optional functions of G-50A, such as “Charge” or “Peak cut”, power should be supplied not from the outdoor unit but from the Power Supply Unit (PAC-SC50KUA). Power off of the outdoor unit disables the transmission, as power supply to the transmission line stops. Even if other outdoor units are operating, collection of charging data and peakcut control cannot be conducted.

(1-2) Supplying power from R410A outdoor unit and from DC12V power supply

When using R410A outdoor unit, replacing the power supply switch connector (CN41) with CN40 enables to supply power to the centralized transmission line. Power of G-50A can be supplied with commercially available DC12V power supply.

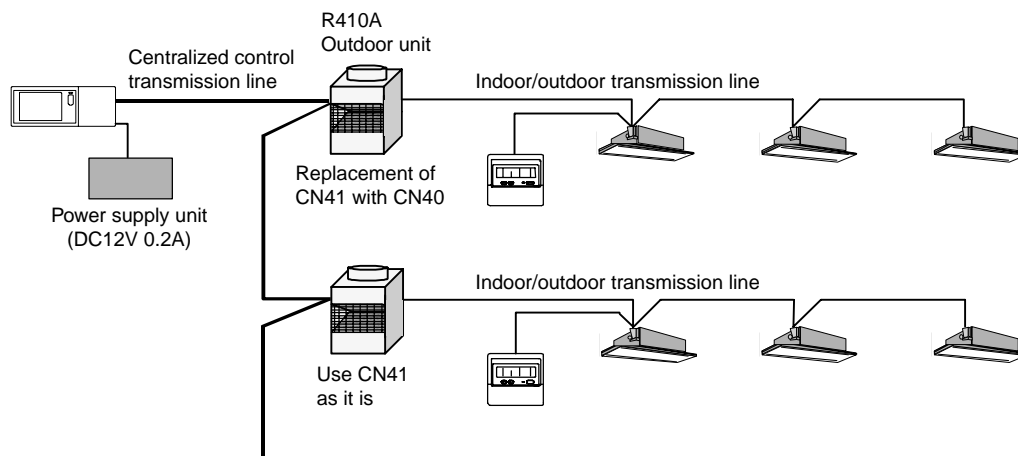


Figure 5-5 Centralized control transmission line (powered from the outdoor unit and DC12V power supply)

Use only DC12V that meets the following specification, and the connection distance between G-50A must be 10m or shorter.

Table 5-4 DV12V power supply specification

Source power	DC12V 0.2A (Maximum loading)
Ripple noise	150mVp-p or less
Compatible specification	Use the items that are certified by the third party organization or CE marking. The compatible specifications are as follows. IEC60950 (or EN60950) CISPR22/24 (or EN55022/24) IEC61000-3-2/3-3 (or EN61000-3-2/3/3)

Moreover, when connecting the system controller to which the power is supplied from the outdoor unit, the number of refrigerant indoor units, which can be connected, will decrease as shown in the table below.

Table 5-5 Power consumption unit for each controller

Indoor unit control board	Central controller (G-50A)	Other system controllers	
		ON/OFF remote controller (AN)	System remote controller (SR) Schedule timer (ST) Group remote controller (GR)
1	0.5	1	0.5

For example, when the outdoor unit, which can connect up to 16 indoor units, is used, or when one 0.5-[Power consumption unit] system controller is connected, the number of connectable indoor units is 16units-1unit (0.5unit round up) =15units.

**CAUTION**

- We assume no responsibility whatsoever for any damages or any hazards resulting from the use of commercially available DC12V power supply.
- When using optional functions of G-50A, such as “Charge” or “Peak cut”, power should be supplied not from the outdoor unit but from the Power Supply Unit (PAC-SC50KUA). Power off of the outdoor unit disables the transmission, as power supply to the transmission line stops. Even if other outdoor units are operating, collection of charging data and peak cut control cannot be conducted.
- When the outdoor unit malfunctions, replacing the power supply switch connector (CN40) of the faulty unit with CN41, and replacing the power supply switch connector (CN41) of other outdoor units with CN40 enable transmission recovery.

## (2) Connecting to the indoor/outdoor transmission line

When a G-50A is connected to the indoor/outdoor transmission line, only terminal used is the DC12V output terminal (TB3) of the PAC-SC50KUA, which supplies DC12V current to the G-50A.

Connect the indoor/outdoor transmission line to the M-NET terminal of the G-50A.

\*The M-NET terminal (TB2) on PAC-SC50KUA is not used; do not connect any M-NET line to it.

\*To use the system without the power supply unit PAC-SC50KUA, use the commercially available DC12V power supply to supply power of G-50A.

In this case, use only DC12V power supply that meets the specification as shown in the table 5-4, and the connection distance between G-50A must be 10m or shorter.

When connecting G-50A or system controllers to indoor/outdoor transmission line, the number of the indoor units, which can be connected to the outdoor units in the refrigerant system, will decrease as shown in the table below.

Table 5-6 Power consumption unit for each controller

Indoor unit control board	Central controller (G-50A)	Other system controllers	
		ON/OFF remote controller (AN)	System remote controller (SR) Schedule timer (ST) Group remote controller (GR)
1	0.5	1	0.5

\*In order to secure transmission quality during the start-up of outdoor unit (during traffic), the number of system controllers, which can be connected to indoor/outdoor transmission line in the same system, is up to three.

(Example: Y Series (PUHY-P250YEM-A))

The number of indoor units that can be connected to an outdoor unit is 16. If one system controller (such as G-50A) is connected to the indoor/outdoor transmission line in this system, the number of connectable indoor units will be calculated as the following:

16 units – 1 unit (round up 0.5 unit) = 15 units

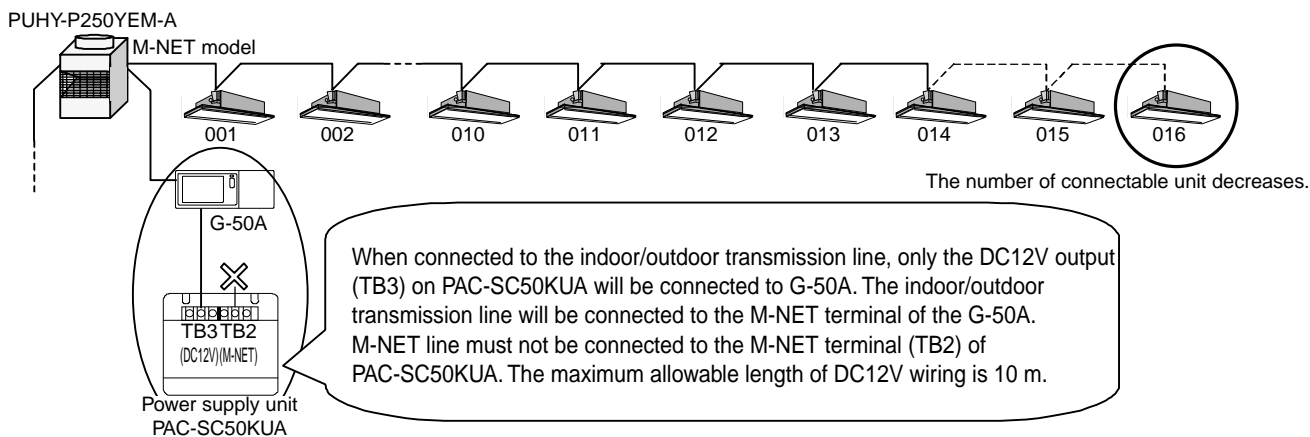


Figure 5-6 Indoor/outdoor transmission line connections

**CAUTION**

- We assume no responsibility whatsoever for any damages or any hazards resulting from the use of commercially available DC12V power supply.
- When using optional functions of G-50A, such as “Charge” or “Peak cut”, power should be supplied not from the outdoor unit but from the Power Supply Unit (PAC-SC50KUA). Power off of the outdoor unit disables the transmission, as power supply to the transmission line stops. Even if other outdoor units are operating, collection of charging data and peak cut control cannot be conducted.



## 5.1.4 When managing a K-control model

When managing a K-control type device, a separate K- transmission converter, model PAC-SC25KAA, is required.

### (1) System controllers able to control a K-control type device

A K- transmission converter unit only accepts communication with a upper controller with bearing address [000].

Consequently, since the G-50A is fixed (address [000]) as the upper controller, even if multiple system controllers are included in a single system, control of K-control type devices is only conducted using the G-50A.

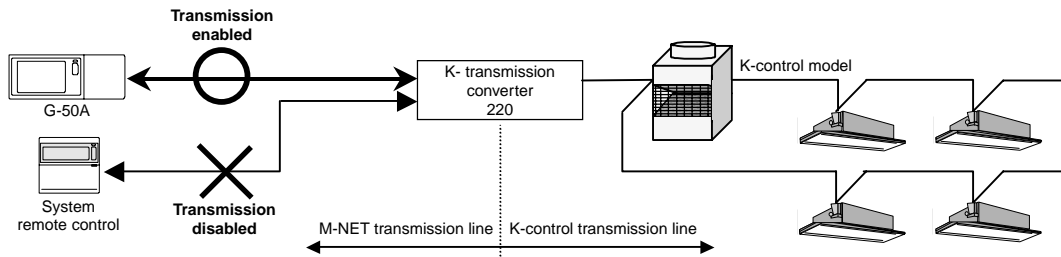


Figure 5-7 Management of K-control models

### (2) Concerning the address of the K- transmission converter (PAC-SC25KAA)

The address of the K- transmission converter is [200 + the smallest address of the K- models].

The address of the K- transmission converter expresses the borderline of the M-NET type device and the K-control models.

As a case example, in the case the number of G-50A units is 38 units and the address of the K transmission converter is [220], the addresses from [20] on and after are all interpreted as K-control type devices and are started up according to K-control.

In other words, care has to be taken the addresses of K-control models are set after those of the addresses of the M-NET type devices, while fitting addresses should be set for the K -transmission converter.

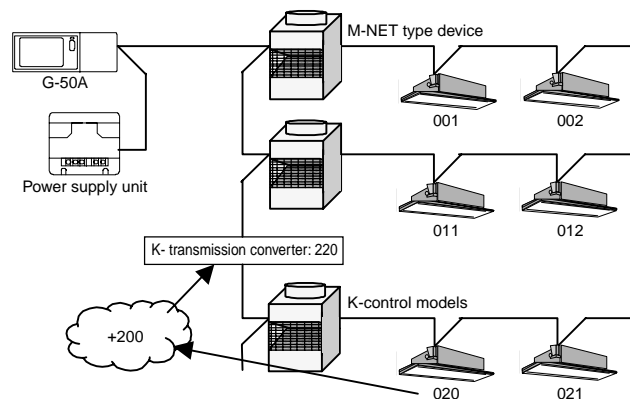


Figure 5-8 K-control converter address

## 5.1.5 Synchronized settings

The Lossnay with built-in heater and humidifier and which has been set for synchronization starts and stops operation synchronized with an indoor unit that has been set for synchronization. Furthermore, it is also possible to operate the Lossnay or the OA Processing unit independently using the ME remote controller that controls the indoor unit in question. Synchronized operation of two or more OA Processing units in addition to a Lossnay unit using one indoor unit is impossible.



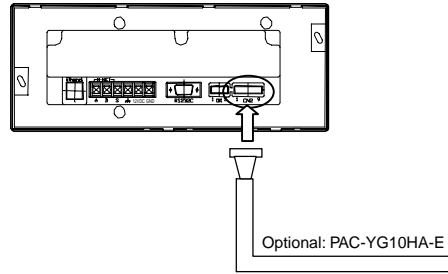
### CAUTION

- OA Processing unit can be controlled as an indoor unit by setting the DIP switches. In the case of OA Processing unit is to be controlled as an indoor unit, please set DIP switch 3-1 of the OA Processing unit to ON.
- Synchronized operation of two or more Lossnay units with built-in heater and humidifier in addition to a Lossnay unit using one indoor unit is impossible. With one OA Processing unit, synchronized registration of maximum 16 indoor units can be performed.

# 5.2 External input/output

The main unit of the G-50A is equipped with an external input/output function. This function enables external input control and output monitoring for each G-50A unit.

This function uses the main unit of the G-50A's CN2. For use, please purchase the optional external input/output adapter (PAC-YG10HA-E).



## 5.2.1 External output signal function

### (1) External input

Using the external signal indicating contact point voltage (DC 12V or DC 24V) all air conditioning units managed, can be controlled for emergency stop/regular start/stop and for prohibition/permission for local remote controller operation.

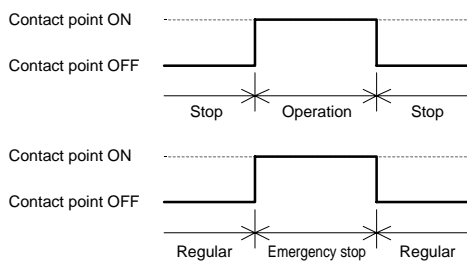
Switching of each input mode can be set from the main unit of the G-50A or by using the initial setting tool. (Default value: not used)

Table 5-2 External input function table

No.	Function of the external input signal	Function selection switch		Remarks
		No. 6	No. 7	
1	Do not use the external input signal	OFF	OFF	None (factory shipping condition)
2	Emergency stop/regular (level signal)	OFF	ON	An emergency stop signal will stop the operation of all air conditioning units while disabling the prohibition/permission operation from the local remote controller, the start/stop operation on the main unit, and the prohibition/permission change operation.
3	Start/stop (level signal)	ON	OFF	Disables the prohibition/permission operation from the local remote controller, the start/stop operation on the main unit, and the prohibition/permission change operation.
4	Start/stop and prohibition/permission (pulse signal)	ON	ON	Please set the pulse length during contact point ON to 0.5 - 1 second.

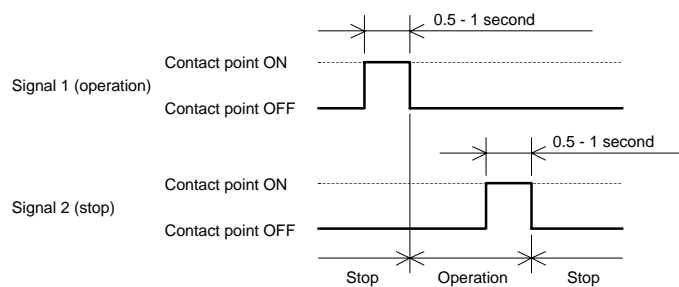
### (2) Level signal and pulse signal

#### (A) Level signal



#### (B) Pulse signal

Example: During start/stop (similar during prohibition/permission)



### (3) External input interface specifications

The external input interface specifications are outlined in Table 5-3.

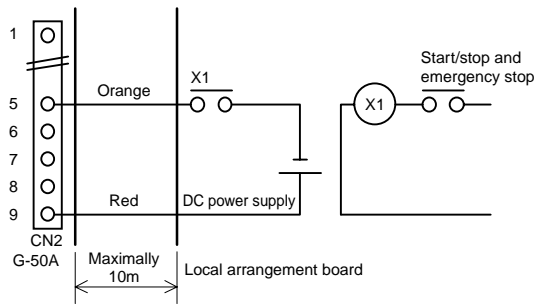
In the table below, the color of each lead line signifies the color of the optional external input/output cables.

Table 5-3 External input interface specifications

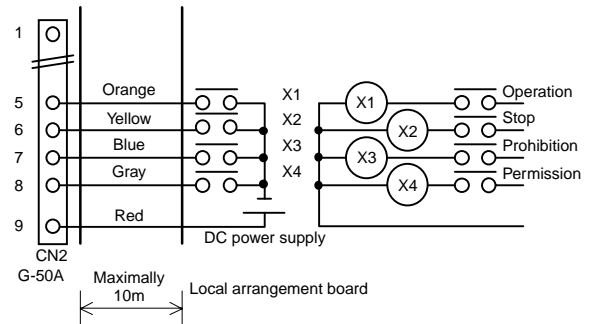
CN2	Lead wire	Emergency stop/regular level signal	Start/stop (level signal)	Start/stop prohibition/permission pulse signal
No. 5	Orange	Emergency stop/regular input	Start/stop input	Operation input
No. 6	Yellow	Unused	Unused	Stop input
No. 7	Blue	Unused	Unused	Local remote controller operation prohibition input
No. 8	Gray	Unused	Unused	Local remote controller operation permission input
No. 9	Red	Common (external DC power supply +12V or +24V)		

## (4) Recommended circuit example

### (A) Level signal



### (B) Pulse signal



\* Special local arrangements are required for the relay, DC power supply (DC 12V, or DC 24V), and extension cables, etc.

\* Please limit extension of the connection cable to 10 meters. (Please use cables of 0.3mm<sup>2</sup> or more)

\* Please cut off any unused cable close to the connectors and be sure to insulate the cut parts using tape, etc.

## Notice

- When using the external input level for start/stop or emergency stop, an operation prohibition setting for the local remote controller is transmitted regardless of whether function selection No. 4 is set for enabled or disabled of the prohibition setting. Consequently, when using the external input level for start/stop or emergency stop, please do not perform any operation prohibition settings on other system controllers.

## 5.2.2 External output signal function

### (1) External output

When at least one air conditioning unit is operating, a [Abnormality occurrence] signal is output when abnormalities occur in at least one air conditioning unit.

### (2) External output interface specifications

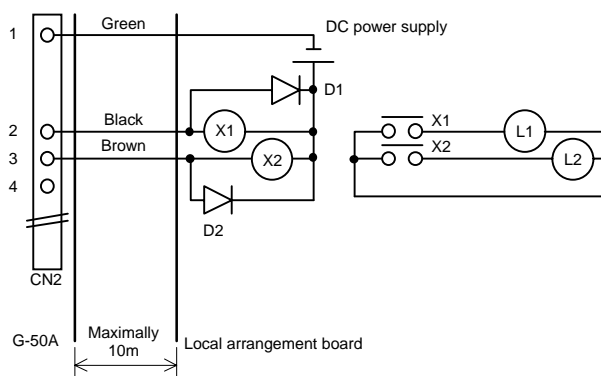
The external output interface specifications are outlined in Table 5-4.

Even during an [Abnormality occurrence], the [Operating] signal is output.

Table 5-4 External output interface specifications

CN2	Lead wire	Details of each terminal
No. 1	Green	External output common ground (external DC power supply ground)
No. 2	Black	ON / OFF
No. 3	Brown	Malfunction / Normal

### (3) Recommended circuit example



\* For the relays (X1, X2), please use those with the following specifications.

\* Operating coil: DC 12V, DC 24V, power consumption: 0.9W or less

\* Please make special arrangement to adjust the DC power supply to DC 12V or DC 24V depending on the relay used.

\* Please be sure to use diodes at both ends of the relay coil.

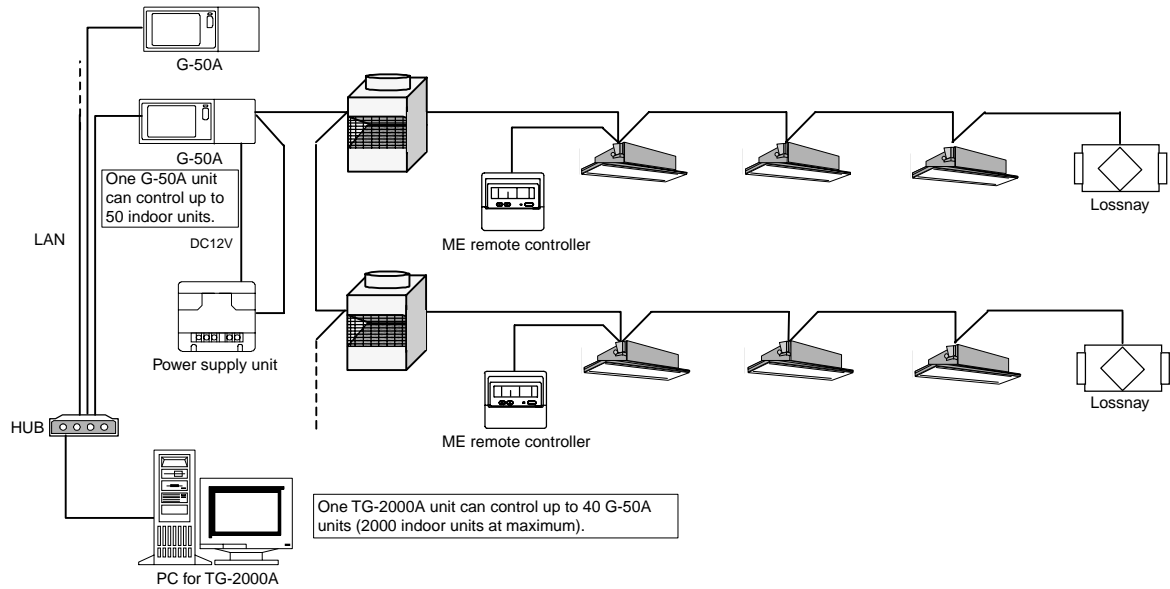
\* Please limit extension of the connection cable to 10 meters. (Please use cables of 0.3mm<sup>2</sup> or more)

\* Please cut off any unused cable close to the connectors and be sure to insulate the cut parts using tape, etc.

# 6. Step 3: Construction of the G-50A system

Below follows an explanation for the construction of a G-50A system.

In order to use a PC, etc. to monitor the connections of multiple units to the G-50A and the operating status of air-conditioning units, please connect G-50A units or one or more PC's using a LAN.








# 6.1 Centralized monitoring using a PC



To monitor the G-50A system by connecting it to a PC, the two following methods are available.

- Perform monitoring using the browser software of the PC. (Web monitoring)  
Monitoring and operation can be performed without using any special software.
- Monitoring can be performed by installing TG-2000A software in the PC.  
The use of this exclusive software allows more detailed monitoring.

Please refer to Table 6-1 for the difference between these two monitoring methods.

Table 6-1 Differences between TG-2000A Monitoring and Web Monitoring

	Operations and monitoring available with the TG-2000A (optional) software	Operations and monitoring available with the web browser (Internet Explorer) software
Outline	Operation and monitoring of a maximum of 40 G-50A units (2000 indoor units) is possible through simultaneous screen display.	Using one single G-50A unit, the operation and monitoring of a maximum of 50 indoor units is possible. Using a single LAN structure including a PC for monitoring, a maximum of 255 G-50A units can be connected, but the screen displays only one G-50A at one time.
Monitoring/operation	○ License registration is required.	○ License registration is required.
Weekly/annual schedule	○ Separate license registration is required (schedule copy function is available)	○ Separate license registration is required (no schedule copy function is available)
Air conditioning electric power charge function	○ Separate license registration is required.	×
Operation time total	○ Separate license registration is required.	×
Energy saving control function	○ Separate license registration is required.	×
All indoor units operation status indication	The status of a maximum of 2000 units can be displayed. 	As monitoring is performed per single G-50A unit, the status of a maximum of 50 groups can be displayed. 
Block indication		
Floor plan		No floor plan display function is available.

	Operations and monitoring available with the integrated (optional) software	Operations and monitoring available with the web browser (Internet Explorer) software
Remote controller operation screen		
Data update	Data is updated automatically Operation status is updated every minute, while the status of any abnormalities is updated every 3 minutes.	Data is updated manually Status update is invoked by changing screens

## Request

- In the case of centralized control, the user is asked to end the TG-2000A periodically (approx. once a week), and restart the Windows XP/2000 OS each time. (Please perform restarting between 8:00 and 21:45)
- In order to keep the TG-2000A program in operation 24 hours a day, please keep the power connected to the PC at all times. (In order not to interrupt the program, please do not use the [System Standby] or [System Pause Status] functions of the power supply options.

## Notice

- Since latent problems may occur if the Windows XP/2000 OS is operated for extended periods of time, it is recommended to periodically shut down the TG-2000A and the OS and restart the system.
- Within the [User Setup] of the TG-2000A, the [Auto Reboot Setting] is available. This function is a backup function to prevent the user from forgetting to perform the previously stated tasks. In case any problems occur during auto reboot, recovery has to be performed manually. Since any problems could still remain, it is recommended to manually perform this work on a periodic base.

## 6.1.1 About floors, blocks, and groups

The G-50A system can handle groups, operation blocks, floors, and the whole building. In addition, for operation and monitoring, the name of the G-50A and the name of the building can be registered.

Table 6-2 shows the setting registration and operation monitoring of each part. Table 6-3 shows the characters that can be used for setting each registration screen.

- What is a group?
 

This is the basic unit for operations and monitoring. Each block and floor consist of groups.
- What is an operation block?
 

This is the unit for operation, consisting of groups.

In addition, in order to operate and monitor an operation block it is necessary to set it as a unit, while it is also necessary to perform the required settings in order to air conditioning charges.
- What is a charge block?
 

This is the unit for power apportioning, when using the charge function.

This block can only be set by TG-2000A, and consist of operation blocks.
- What is a floor?
 

This is the unit for the floor screen plan in the TG-2000A.

This unit is also required to be set as an operation group.

It is possible to set up to 55 floors. This does not refer to the number of floors but to the number of floor screens.
- What is the whole building?
 

This refers to all air-conditioning units controlled by the TG-2000A. This enables operation only.

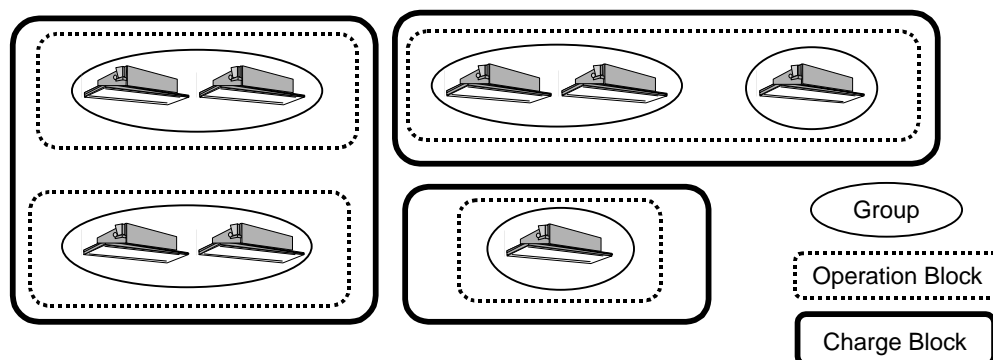


Figure 6-1 Floors, blocks, and groups

Table 6-2 Setting table

Item		G-50A Main Unit	Initial Setting Tool	Centralized Control PC (Web)	Centralized Control PC (TG-2000A)	Remarks
Setting, registration	Group	○	○	×	○	
	Operation block	×	○	×	○	The operation block setting information set by the initial setting tool is saved to the G-50A main unit, while the operation block saved by the integrated software is saved to the PC.
	Charge block	×	×	×	○	Group of Operation block
	Floor	×	×	×	○	
	General equipment	×	×	×	○	
	Malfunction e-mail	×	○	×	×	
	e-mail function	×	○	×	×	Communication function for G-50A (Installed in LAN) by using e-mail.
Operation, monitoring	Group	○	×	○	○	
	Operation block	×	×	△	△	Exclusively for operation.
	Charge block	×	×	×	×	Blocks for operation or monitoring are not available.
	Floor	×	×	×	△	Exclusively for operation.
	Whole building	×	×	×	△	Exclusively for operation.
	G-50A unit	△	×	△	×	Exclusively for operation.
	General equipment	×	×	×	○	Operation, monitoring can be done only from TG-2000A.

Table 6-3 Name registration table

Item	G-50A Main Unit	Initial Setting Tool <sup>1</sup>	Centralized Control PC (Web)	Centralized Control PC (TG-2000A)
Group name	○ Up to 10 characters <sup>2</sup> (For liquid crystal screen display on the unit)	○ Up to 20 characters (For Web/TG-2000A display)	×	○ Full name: Up to 20 characters Short name <sup>3</sup> : Up to 8 characters (Name setting is possible using the G-50A main unit)
Operation block name	×	○ Up to 20 characters	×	○ Up to 20 characters
Charge block name	×	×	×	○ Up to 20 characters
Floor name	×	×	×	○ Up to 16 characters
G-50A name	×	○ Up to 40 characters	×	×
Watt Hour Meter name	×	×	×	○ Up to 20 characters
Watt Hour Meter setting location	×	×	×	○ Up to 20 characters
Building name	×	×	×	○ Up to 20 characters
General purpose equipment name	×	×	×	○ Same as Group name

**Notice**

- When controlling using the TG-2000A software, please set all group icons as operation blocks.
- When using the apportioned electric power charge function, please set all groups as operation blocks.

<sup>1</sup> The symbols <, >, &, “, and ‘ cannot be used for the names. Also, please do not use, for the names.

<sup>2</sup> For characters, the letters of the alphabet, numbers, and blanks can be used.

<sup>3</sup> The control screen displays short names. By putting the cursor on a group icon, a long name can be displayed.



## 6.1.2 Centralized control PC (local arrangement)

Table 6-4 indicates the minimum specifications the PC required to conduct monitoring using the integrated software or the Web browser, should satisfy. Please arrange locally for a PC satisfying the specifications outlined below.

Table 6-4 PC specifications

Item	Monitoring using the web browser	Monitoring using the integrated software (TG-2000A)	
PC	PC/AT compatible	PC/AT compatible-1	
CPU	Pentium 133MHz or faster	No. of air-conditioning units 1000 or less: Pentium4 1.8GHz or faster No. of air-conditioning units 1001 or more: Pentium4 1.8GHz or faster (Case of temp. trend use : 2.8GHz or faster) *Pentium4 2.8GHz or faster is recommended	
OS	Windows98/Me/2000/XP Internet Explorer 5.0 or later version (Java VM 5.0 or later version*)	Windows2000/XP Professional <sup>2</sup>	
HDD	-	Standard	6GB or more <sup>3</sup> (2GB or more of Cdrive free space necessary) When using the trend function, the drive used for automatic output must have the following free space according to the number of groups. 200groups=2GB, 500groups=5GB, 1000groups=10GB, 2000groups=20GB
		Wide area	20GB or more (Free space)
Memory	64MB or more	256MB or more	
Display resolution	1024 X 768 or better	1024 X 768 or better	
Interface	LAN port (10BASE-T)	LAN port (10BASE-T) Modem <sup>4</sup>	
Remarks	When switching between screens and when updating operations, the data update operation necessary. Internet Explorer 5.0 or later version	Automatic update with operation status updates every minute and abnormalities every three minutes.	

\* The Java VM (Microsoft VM) version can be confirmed using the following steps.

When the software is an earlier version than 5.0, please update to the latest version using the Windows Update feature.

[Version confirmation method]

1. Please select [Designate File Name and Execute] from the [Start] menu.
2. For Windows 98 and Windows Me, please input [COMMAND] and press the Enter key.  
For Windows 2000 and Windows XP, please input [CMD] and press the Enter key.
3. Please input [jview] at the command prompt display that appears. Next, press the Enter key.
4. At the top line, a message similar to the one below appears to confirm the current version (below, lower line)  
[Microsoft (R) Command-line Loader for Java Version x.yy.zzzz]
5. When the version is older than 5.0, please update to a more recent version.

<sup>1</sup> Operation has been confirmed for IBM, Hp Compaq and DELL

<sup>2</sup> Please note that use is not possible for Windows<sup>(R)</sup> XP Home Edition.

<sup>3</sup> A minimum of 4GB is recommended for the C-drive.

<sup>4</sup> When performing remote monitoring/operation, a PC equipped with a modem or a data/FAX modem card is required.

## 6.2 About password control

When performing centralized control using a Web browser or the TG-2000A software, it is possible to restrict operations to approved users by setting a password to perform operations or functions please refer to section 2,3 for function licence.

### 6.2.1 Password control when using a Web browser

#### (1) For public users

A public user is a user who enters through the [index.html] web page.

This type of user can only operate and monitor the operation status of air-conditioning units.

The default password for public users is [guest].

#### (2) For administrators

An administrator is a user who enters through the [administrator.html] web page.

This type of user can operate and monitor the operation status of air-conditioning units in addition to setting their schedules (optional), monitoring multifunction log, setting the current timetable, monitoring sending error mail log and changing user names passwords.

The default password for administrators is [admin].

### 6.2.2 Password control when using the TG-2000A software

#### (1) For system administrators

This is the password for system administrators.

Inputting the current password enables transferring to the default selection screen.

Furthermore, when transferring to the default selection screen by using this password, the passwords for [System Administrator] and [Maintenance User] can be changed.

The default password for the system administrator is [SYSTEM].

#### (2) For maintenance users

This is the password for maintenance users.

Inputting the current password enables transferring to the default selection screen.

Furthermore, when transferring to the default selection screen by using this password, the passwords for [Maintenance] and [Maintenance User] can be changed, in addition to the [Charge Setting] control screen.

The default password for the maintenance user is [Maintenance].

**Request** ● Please take care the password does not leak to a third party who has no permission to make changes in the system. The password can be changed with the password function.

## 6.3 Setting When the Remote Monitoring is conducted

Using the modem and the dial-up router enables the remote monitoring and the remote operation. When conducting the remote monitoring, the parts which are shown in the Table 6-5 are necessary. When using the dial-up router which is shown in the Table 6-5, the line which can be connected from the remote place is decided by the telephone line type of the place where the G-50A is installed. Select the line of the remote place to match the on-site line in accordance with the Table 6-6.

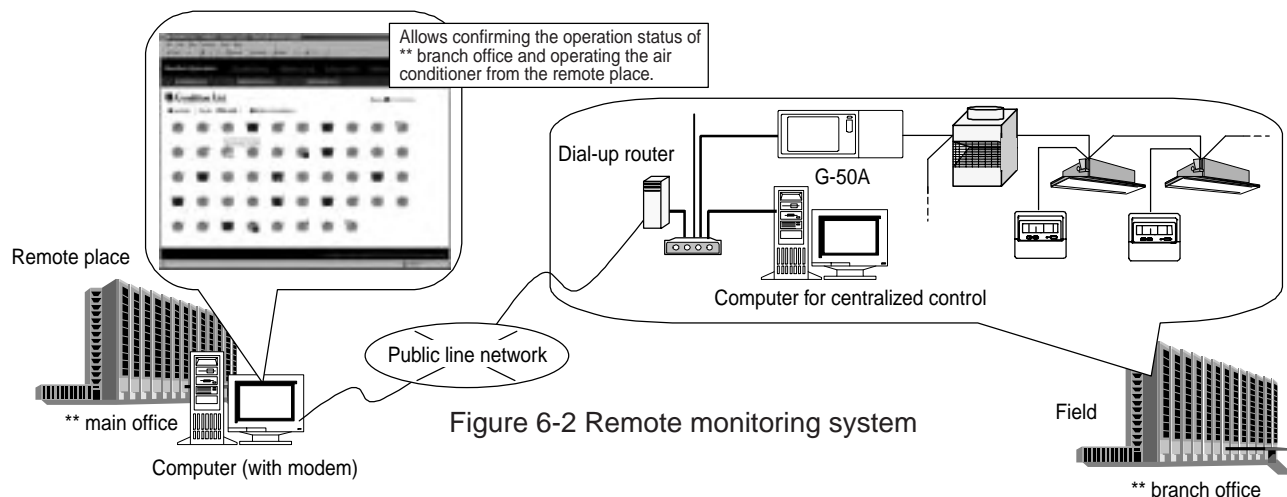


Figure 6-2 Remote monitoring system

Table 6-5 Remote monitoring system

Parts name	Remark
HUB for 10BASE-T	When the number of connected G-50A and computers exceeds the number of HUB ports with a built-in dial-up router or when extending the wiring distance, this HUB is necessary.
10BASE-T LAN straight cable (twist pair cable)	
Dial-up router	Select the LAN inside the building through the public line and select the dial-up router which can perform the data communication.

Table 6-6 Matching line chart

On-site line	Line of remote place	
	Analog line	ISDN line
Analog line	○	×
ISDN line	△ <sup>1</sup>	○

### Notes

- As the communication speed of the analog line is slow, using the line whose communication speed is fast, such as ISDN line, is recommended.
- Although ADSL was formally an analog line, the data is sent separately for data communication and for telephone communication. Use a splitter to separate the data for data side and for the telephone side. Although the modem is connected to the data side of ADSL, the modem cannot make dial-up connection. Therefore, the modem cannot be connected even if a phone call is made from outside. ADSL connection is currently under consideration.

<sup>1</sup> When ISDN is used in the field, check the dial-up router specification whether to receive incoming signal from the analog line of the remote place.

### 6.3.1 Setting procedure in the Field

#### (1) Set the dial-up router

Set the dial-up router, so that the received phone call (data communication) is connected to the LAN side or set the IP address for the dial-up router or for the remote computer.  
 [192.168.1.254] is recommended for the IP address for the dial-up router, and [192.168.1.211] is recommended for the IP address for the telephone line of the computer of the remote place.  
 For the IP address for the computer LAN of the remote place, set other than [192.168.1.\*] to avoid the same address for the field.

#### (2) Set the G-50A network.

Set the IP address for G-50A, the subnet mask and the gateway address with the initial setting tool.  
 For the gateway address, set the IP address for the dial-up router.

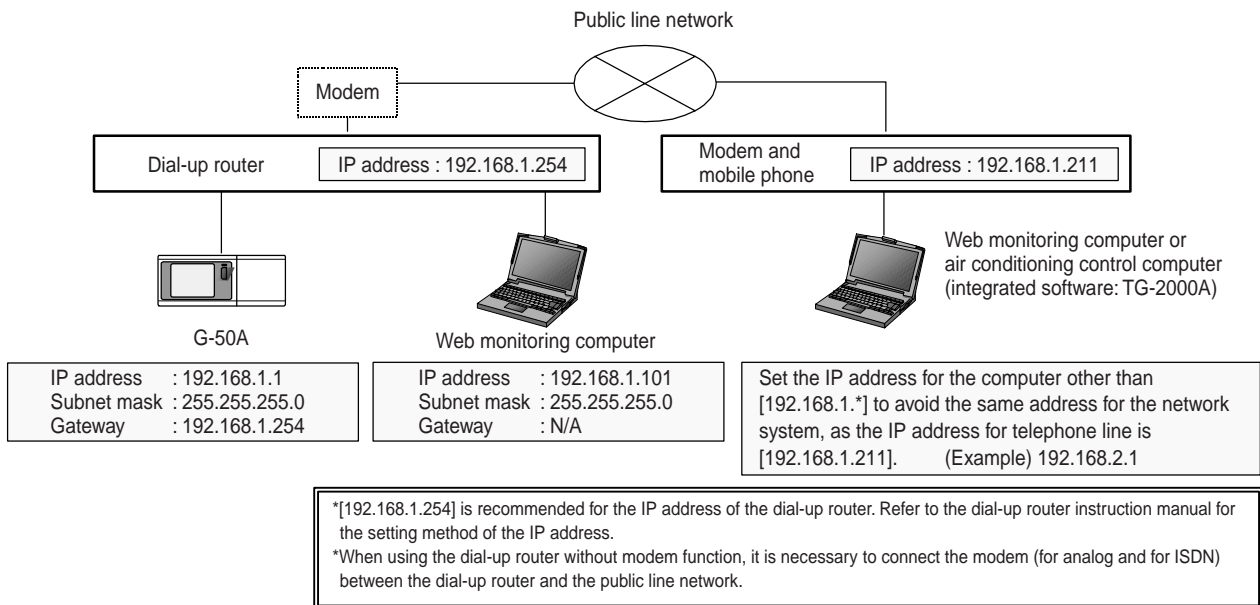


Figure 6-3 Remote monitoring system setting example

<sup>1</sup> When setting the same address, the communication data is output from the LAN port of the computer. Therefore, the data communication cannot be made through the public line.

<sup>2</sup> The gateway address can be set only with the initial setting tool. (Other addresses can be set with G-50A itself.)

## 6.3.2 Setting Procedure at the Remote Place

### (1) Connect the modem and make the dial-up setting

Connect the modem to the computer for monitoring and make the dial-up setting.

Create a new dial-up connection with [Network Setting] in the control panel, and set the local telephone number, the user's name which is set for the dial-up router, and the password, so that the modem can be connected to the dial-up router which is installed in the field.

### (2) When monitoring with the Web browser

When monitoring with the Web browser, click the dial-up connection which is created in the item (1), connect with the field, and connect to the Web page of G-50A in the same way of monitoring inside the building.

### (3) Conduct monitoring with wide area mode version TG-2000A

When conducting remote monitoring of multiple buildings with TG-2000A, install wide area mode version TG-2000A<sup>1</sup>.

When starting wide area mode version TG-2000A, the site change tool will appear. Click the building to which the modem is connected, and connect the modem. After connecting the modem, monitoring can be conducted in the same way as the usual TG-2000A.

With wide area mode version TG-2000A, error information for each building can be acquired by e-mail and it can be displayed.

To use that function, click the mail tool icon on the desktop, and make the mail-related setting. After the setting, when the error mail is received, the building name and the error code will appear.



File Number	Site	Occurrence time	Occurrence point	Error code	Status
0001	Site_A	00/01/2004 12:09:26	001	0007	Occurrence
0002	Site_A	00/01/2004 12:10:55	002	0007	Occurrence
0003	Site_A	00/01/2004 12:13:00	003	0007	Occurrence
0004	Site_A	00/01/2004 12:15:20	004	0007	Occurrence
0005	Site_A	00/01/2004 12:23:40	005	0007	Occurrence
0006	Site_A	00/01/2004 12:29:39	006	0007	Occurrence
0007	Site_A	00/01/2004 12:31:15	007	0007	Occurrence
0008	Site_A	00/01/2004 12:33:49	008	0007	Occurrence
0009	Site_A	00/01/2004 12:36:39	009	0007	Occurrence

## Notes

- When using the mail tool of wide area mode version TG-2000A, make the error mail setting in the field which is shown in the next chapter.
- When using wide area mode TG-2000A, the LAN connection name which is set on the OS and the dial-up name should be less than 30 letters.
- When acquiring the error mail from other than the place where the dial-up is connected (such as LAN in the office), clear the check box for [use default gate on remote network] in the TCP/IP detail setting for dial-up connection.

<sup>1</sup> Wide area function can be used with TG-2000A Ver.4.60 or later. In the middle of the TG-2000A installation, the selection screen between the wide area mode and the standard mode appears. Select the [wide area mode], and perform the installation. Only either the wide area mode or the standard mode can be installed on a computer.

## 6.4 Setting for Transmission of Error Mail

As the error mail is transmitted via e-mail, it is necessary to contract with a provider.

To use the error mail transmission function, set the mail address which is acquired at the time of contract, and the connection ID for Internet connection to the G-50A and the dial-up router.

When transmitting the error mail, the parts which are shown in the Table 6-7 are necessary.

The setting of transmission of error mail can be made only with the initial setting tool.

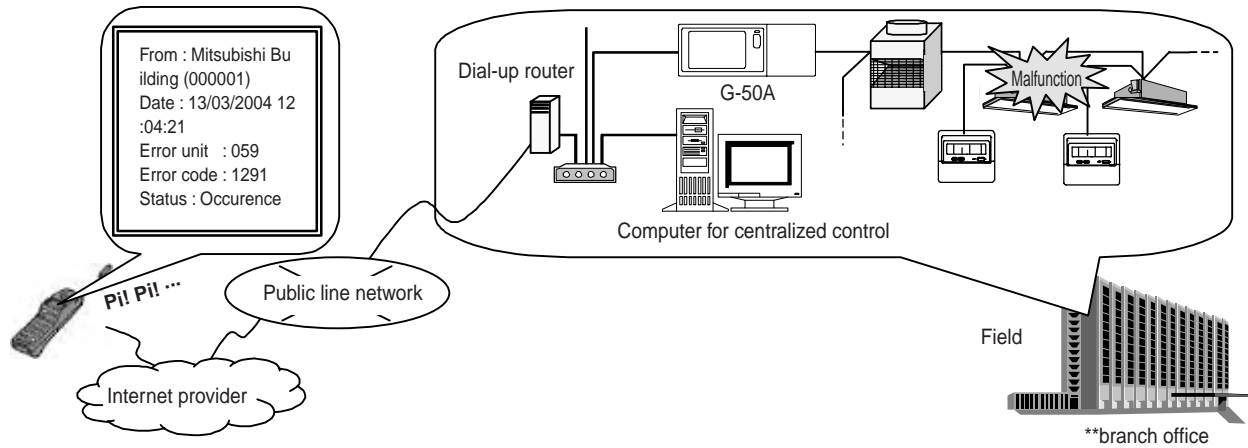


Figure 6-4 System of transmission of error mail

Table 6-7 Necessary parts for transmission of error mail

Parts name	Remark
HUB for 10BASE-T	When the number of connected G-50A and computers exceeds the number of HUB ports with a built-in dial-up router or when extending the wiring distance, this HUB is necessary.
10BASE-T LAN straight cable (twist pair cable)	
Dial-up router	This dial-up router is necessary to connect to the mail server of the Internet provider.

## 6.4.1 Preparation for Transmission of Error Mail

### (1) Contracts with a provider for mail transmission on the customer side.

Contract with an Internet provider. (Except for when there is an in-house LAN with a mail server in such as your own building.)

A provider contract on which access point, user ID, and certification password are written will be sent later.

The provider contract is necessary for the G-50 body setting and the dial-up router setting.

### (2) IP address information of mail server

The access method may be shown in the provider contract; however, most providers do not disclose IP address.

In this case, acquire the IP address of the mail server in compliance with the following procedures.

Access to the access point by using the dial-up function with the monitoring computer, and create an environment where the internet can be accessed.

Run MS-DOS prompt (command prompt for Windows 2000/XP) with the provider connected.

To acquire the IP address of the mail server, enter "PING mail server name for transmission (SMTP server name) <sup>1</sup>".

## 6.4.2 Setting Method for Transmission of Error Mail

### (1) Make the setting for dial-up router.

Set the telephone number of the provider access point, the access ID and the password which are notified at the time of contract to the dial-up router.

### (2) Make the setting for G-50A network.

Make the setting of the IP address of G-50A, the subnet mask, and the gateway address with the initial setting tool.

For the gateway address, use the IP address of the dial-up router.

### (3) Make the setting for G-50A mail.

Set the mail address which is notified from the provider, the IP address of the mail server, and the place where to send the error mail with the initial setting tool.

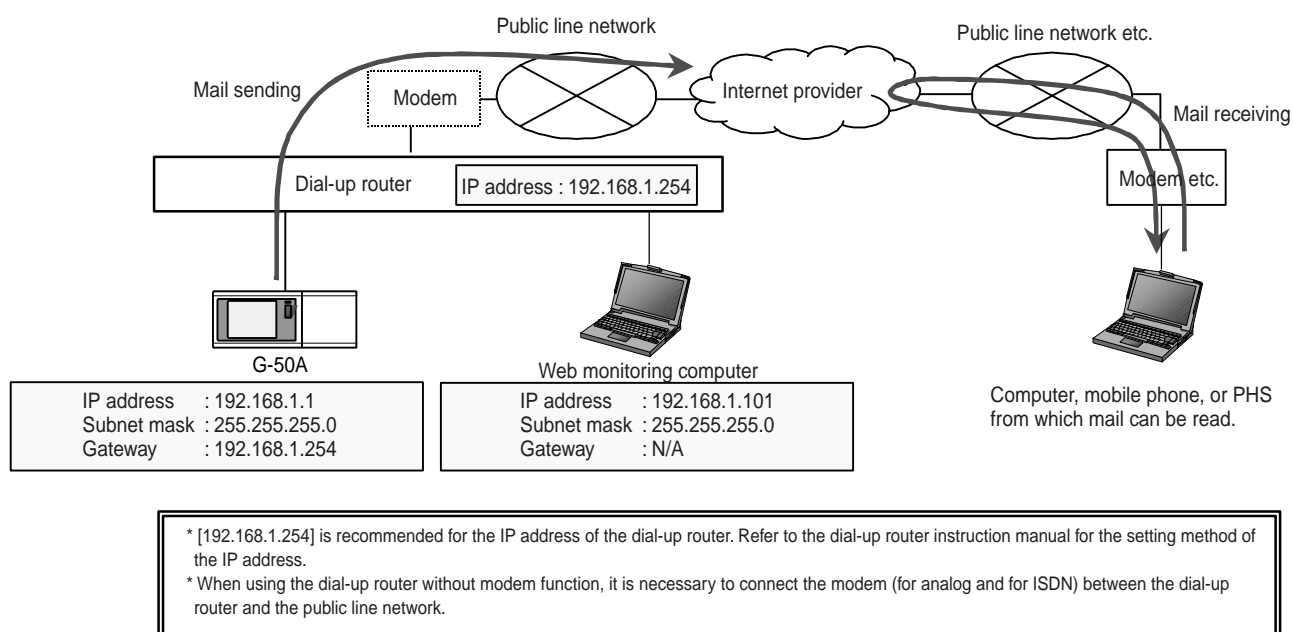


Figure 6-5 Setting example for transmission of error mail

<sup>1</sup> Mail server name for transmission is the mail server name which is used when the mail is sent. The name will be notified from the provider at the time of contract.

# 6.5 About LAN

## 6.5.1 LAN types

For the LAN cable, a 10BASE-T type is recommended.

As for the category, from the point of view of availability and the development of mixed systems with optical cables, the use of category 5 is recommended.

### (1) Main cable type

LAN cable standard	Cable specifications	Maximum wire length	Communication speed
10BASE-5	Standard coaxial cable	500m	10Mbps
10BASE-2	Fine-core coaxial cable	185m	10Mbps
10BASE-T	Twisted pair cable (T)	100m	10Mbps
100BASE-Tx	Twisted pair cable (T)	100m	100Mbps

### (2) EIA/TIA568 (category)

For the twisted pair cable, there are classifications standards determined by EIA/TIA. For Ethernet, 5 and 3 are used. The categories are divided by communication speed used where a speed of 10 times that of category 3 can be used with category 5.

Category	Use	Communication speed
Category 1	For telephone	
Category 2	For telephone, Apple Talk	4Mbps
Category 3	10BASE-T, token ring	10Mbps
Category 4	Token ring	16Mbps
Category 5	10BASE-T, 100BASE-T	100Mbps

## 6.5.2 About the hub

For the hub, there are a variety of models including the 10BASE-T/100BASE-Tx automatic switching type (switching hub), the exclusive 10BASE-T hub and the exclusive 100BASE-Tx hub. When using the G-50A, please select a 10BASE-T type.

### (1) What is a cascade connection?

The term cascade connection refers to a series of hierarchical connections where multiple hubs are interconnected using cables and where ports can be added.

### (2) Cascade connection step restriction

As the number of cascade steps increases, the transmission delay increases, making it impossible to distinguish the signal (collision signal) to recognize other devices. To prevent this, restrictions for the number of connection steps apply as follows.

LAN cable standard	Possible no. of connection steps
10BASE-T	4 steps
100BASE-Tx	2 steps



### (3) Switching hub

The switching hub means the hub that controls traffics at exchanging packets (communication data) among plural networks, and send packets to a specified address.

Different from ordinary hubs, it carries out one-to-one communications among respective ports, accordingly, even when one set of ports is communicating, other ports can communicate freely. By this function, conflict of signals can be restricted, and network performance can be improved.

Fig. 6-2 shows the differences between an ordinary hub and a switching hub.

When communication is made from the personal computer at 192.168.1.2 to the personal computer at 192.168.1.3, in the case of an ordinary hub, communication is sent also to the personal computer at 192.168.1.1. While, in a switching hub, communication is sent to only the destination that you want to communicate.

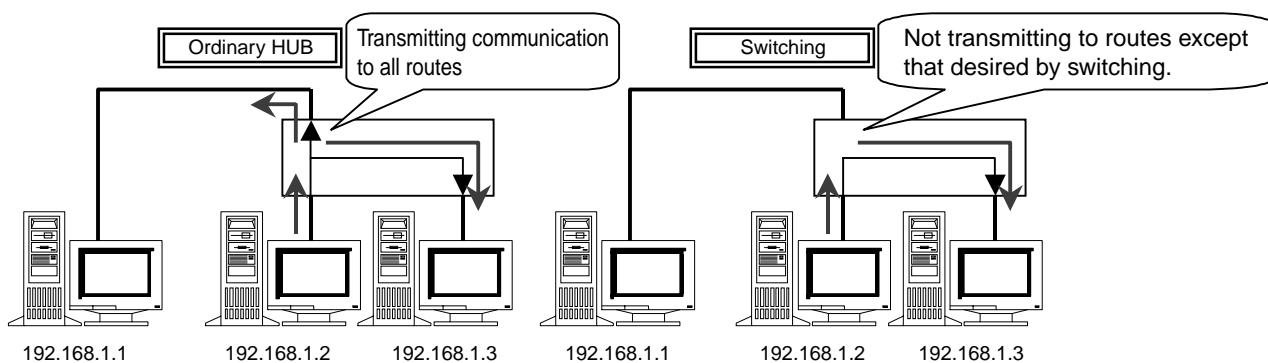


Figure 6-2 Switching hub concept

#### Notice

- By use of a switching hub, it is possible to add hubs exceeding the connection stage restrictions specified in the section 6.5.3, and to expand the distance.

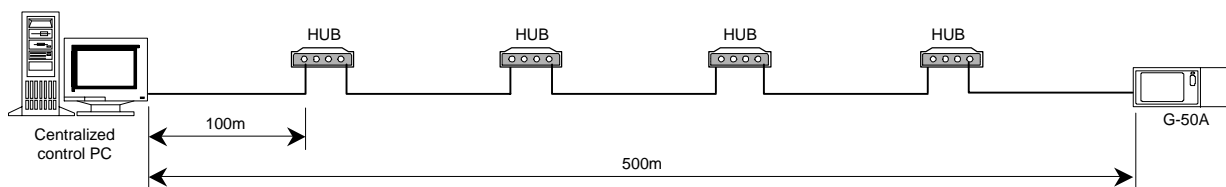
Example: In the case where 2-stage cascade connection is made by 100 Base-TX repeater hub or the like, by use of a switching hub, the hub can be connected to 2-stage cascade.

- When to connect 2 switching hubs, there is logically no restriction in the number of cascade connection stages, cable length (between nodes) or so. However, if the load of network becomes extremely high, delay may result, causing network connection problems.
- As for the details of switching hub, refer to the operation manual attached to each switching hub.

### 6.5.3 LAN wire length

A 10BASE-T network connected to the G-50A may have a maximum wire length of 100m.

Consequently, when the LAN wire length exceeds 100m, the use of hubs will extend the maximum length to 500m.

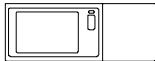
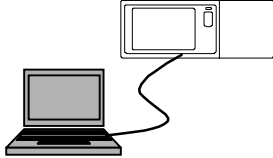



#### Notice

- Be sure to always use a hub.
- Restrictions apply to the number of cascade connections when using hubs. Please observe these restrictions.

# 7. Step 4: Setting annual/weekly schedules

With the G-50A main unit, weekly schedules can be set. However, when registering a license (Annual/Weekly schedule), multifunctional weekly schedules and annual schedules can be performed. Please refer to section 2.3 for function licence.

	G-50A	Web monitoring	TG-2000A																																																																																									
																																																																																												
License registration	Not required	Required	Required																																																																																									
Setting registration	For each G-50A unit, set using the G-50A	For each G-50A unit, set using the web monitoring PC	Set using the TG-2000A software																																																																																									
Weekly schedule	No. of operation per day: 6 times (ON/OFF each 3 times) Operation items: Start/stop, set temperature, remote controller prohibition Time setting unit: 10 minutes Operation subjects: only groups* <sup>1</sup>  * No. of operations is 3 times each for [Start/stop] and [prohibition/permission] (total 12 times) * Operation settings are 3 times/day * Operation items must be set together with [Operation]	No. of operation per day: 12 times Operation items: Start/stop, set temperature, operation mode, local remote controller prohibition/permission Time setting unit: 1 minute Operation subjects: groups, blocks, all groups  * Settings are possible 12 times/day * Operation items extend to [Set temperature only] and [Operation mode only]	No. of operation per day: 12 times Operation items: Start/stop, set temperature, operation mode, local remote controller prohibition/permission Time setting unit: 1 minute Operation subjects: groups, (all) floors blocks, Whole building Pattern: possible to set for 2 patterns for Summer/Winter  * Settings are possible 12 times/day Operation items extend to [Set temperature only] and [Operation mode only]																																																																																									
Monthly schedule	Not possible	Possible to set for 24 months and 50 days ahead (including this month) No. of pattern: 5 patterns <table border="1" style="width: 100%; text-align: center;"> <thead> <tr> <th colspan="12">2002</th> <th colspan="3">2003</th> <th colspan="3">2004</th> </tr> </thead> <tbody> <tr> <td>12</td><td>1</td><td>2</td><td>3</td><td>4</td><td>5</td><td>6</td><td>7</td><td>8</td><td>9</td><td>10</td><td>11</td><td>12</td><td>1</td><td>2</td><td>...</td><td>10</td><td>11</td><td>12</td><td>1</td><td>2</td><td>3</td><td>4</td><td>5</td><td>6</td> </tr> <tr> <td colspan="3"></td> <td>↑</td> <td colspan="19"></td> </tr> <tr> <td colspan="3"></td> <td>This month</td> <td colspan="19">Setting range (24 months)</td> </tr> </tbody> </table>		2002												2003			2004			12	1	2	3	4	5	6	7	8	9	10	11	12	1	2	...	10	11	12	1	2	3	4	5	6				↑																							This month	Setting range (24 months)																		
2002												2003			2004																																																																													
12	1	2	3	4	5	6	7	8	9	10	11	12	1	2	...	10	11	12	1	2	3	4	5	6																																																																				
			↑																																																																																									
			This month	Setting range (24 months)																																																																																								
Day schedule	Not possible	Day schedule can be changed without changing the weekly schedules or the annual schedules.																																																																																										

\*1 After registering Annual/Weekly schedule, G-50A's weekly schedule will not operate.

## (1) What is the weekly schedule?

This term refers to the operation schedule of each day of the week.

## (2) What is the annual schedule?

In addition to the weekly schedule, for special days (national holidays, etc.) a different schedule can be set for a maximum of 50 days up to 24 months (including this month) in advance.

During the days set in the annual schedule, the weekly schedule settings will not be performed while the schedule set in the annual schedule will be performed.

## (3) What is the day schedule?

After setting the weekly and annual schedules, the day schedule can be used for sudden changes in the regular schedule.

When the day schedule is set, the weekly and annual schedule settings will not be performed.

However, from the following day operations will be resumed according to the settings of the weekly and annual schedules.

## 7.1 Weekly schedule using the G-50A

The following explains the outlines the weekly schedule set using the G-50A.

If the weekly schedule is set using the G-50A, setting is required to be performed using the G-50A for every G-50A unit.

- ① The timetable for start/stop can be set in increments of 10 minutes.
- ② For the daily operation schedule, up to 3 settings for each of the start and stop times for operation can be set.  
These settings can be set per group as P1, P2, and P3 as **P4** (1 type) of the operation prohibition schedule patterns at the local remote controller.
- ③ In addition, it is possible to set the schedule for the same day by combining the start/stop operation prohibition schedule patterns. (**P1**, **P2**, **P3**)
- ④ As the contents of the set schedule can be saved to memory, copying schedule patterns to other groups is easy.
- ⑤ Settings can be performed to set the temperature and setback operation-1 while schedule operation is being executed.

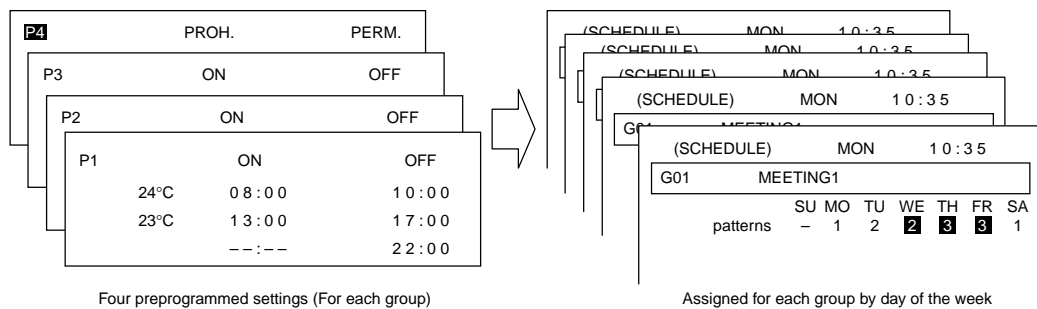


Figure 7-1 G-50A schedule screen configuration

## 7.2 Annual/weekly schedule using web monitoring

Registering the weekly/annual schedule license number in the G-50A main unit using the PC's browser, will enable this function. In this case, the weekly schedule of the G-50A will be invalidated.

Using this function, the schedule for every G-50A unit is set with the web browser software.

[Weekly schedule]

- ① Settings can be performed in 1-minute increments.
- ② The number of setting items is 12 times per day (for every day of the week). Settings allowing operation mode only or set temperature only are possible too.
- ③ Set items include the operation prohibition for start/stop, operation mode, set temperature, and local remote controller.
- ④ Setting subjects include the setting per group, per block, and of all groups.

[Annual schedule]

- ① 50 special days can be set up to 24 months ahead, including this month.
- ② Setting subjects include the setting per group, per block, and of all groups.
- ③ Up to 5 schedule patterns can be set. (Contents of the settings are similar to the weekly schedule)  
In addition, during the days set by the annual schedule, the regular weekly schedule will not be executed.

<sup>1</sup> The setback value allows the set temperature to be altered only by the difference compared to the standard temperature, to help save energy.

Example: When the standard temperature is 24°C and the setback value is 2°C.

During operation as a cooler, the set temperature is 24°C + 2°C = 26°C.

During operation as a heater, the set temperature is 24°C - 2°C = 22°C.

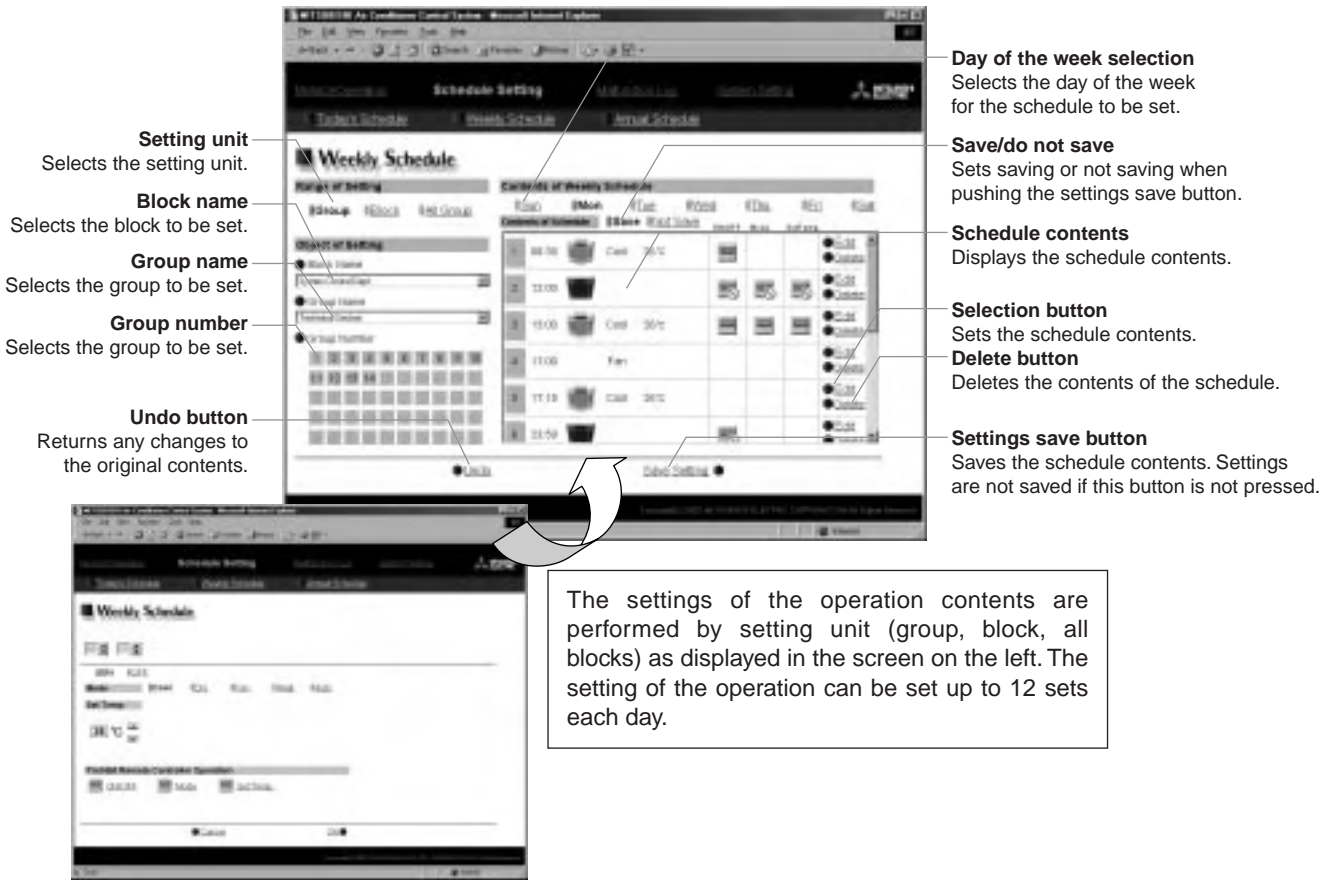


Figure 7-2 Weekly schedule set screen

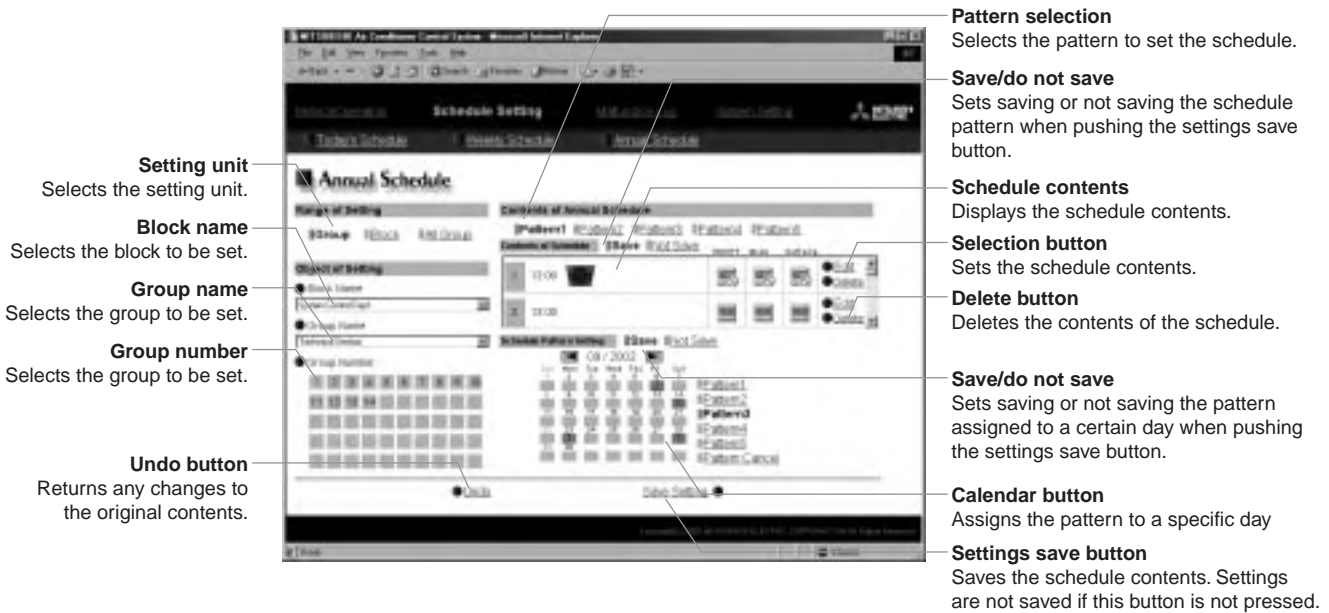


Figure 7-3 Annual schedule set screen

## 7.3 Weekly schedule of the integrated software

Registering the weekly/annual schedule license number in the G-50A main unit using the PC's browser, will enable this function. In this case, the weekly schedule of the G-50A will be invalidated while the data previously set with the web monitor will be validated.

For the schedule set with the TG-2000A software, settings are set per target unit (group, block, floor, etc.) in the schedule set screen of the TG-2000A.

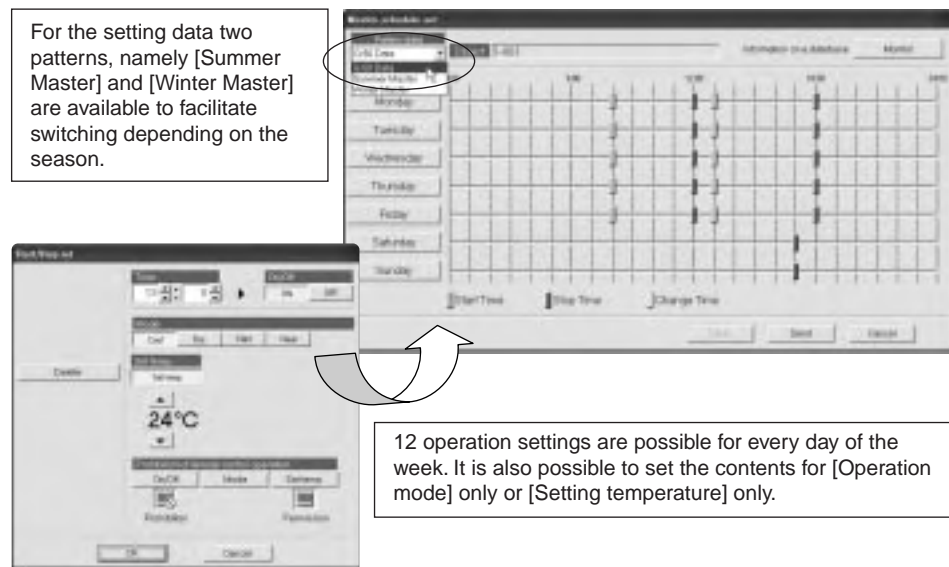


Figure 7-4 TG-2000A schedule set screen

The schedule functions when performed with the TG-2000A are similar to the settings performed with the Web browser, except for the possibility to store the two patterns [Summer Master] and [Winter Master]. The [Summer Master] and [Winter Master] set with TG-2000A are stored, to enable transmission to the G-50A main unit in accordance with the user's needs. By transmitting these data to the G-50A, they become the [G-50A Master data] and will be executed by the schedule of the G-50A main unit.

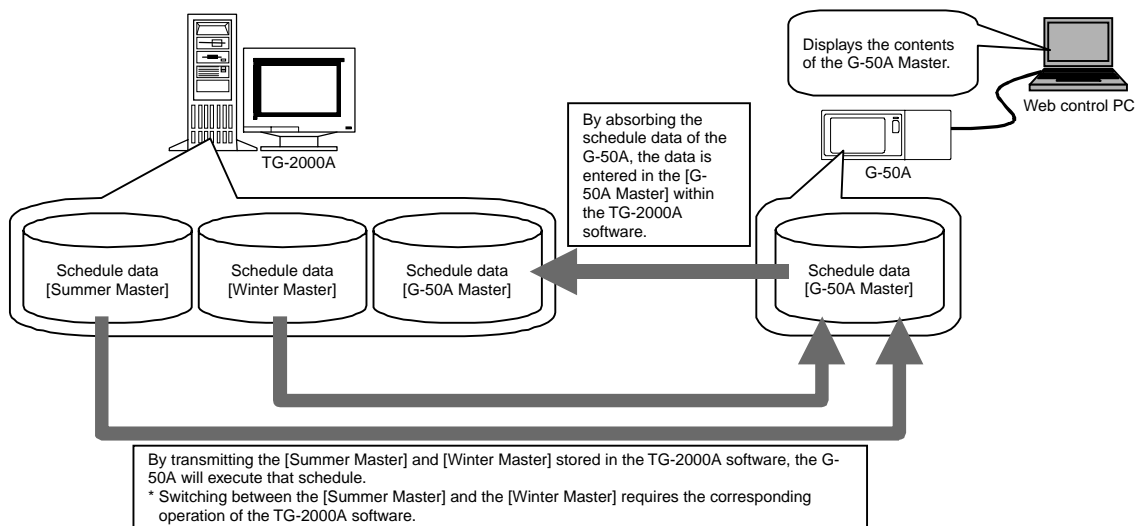


Figure 7-5 TG-2000A schedule chart

# 8. Step 5: Charging Function of Energy Charge Measuring

This step is to set the charging function of measuring instruments to be performed by TG-2000A. This setting is required to use the charging function by measuring instruments. Since this function is optional, license registration to the G-50A unit is needed to use the charging function by measuring instruments.

**[Apportioning of air conditioning power consumption]**

Since the watt-hour meter value of power consumption is apportioned by judging the operation status of the indoor unit from detailed communication between the indoor and outdoor unit, this value can not be applied to the business certificate legally defined.

The same limitation is applied to the case of direct reading of measuring instrument unit.

In order to employ this system, therefore, it is recommended to conclude an agreement or contract between the building owner and tenants stipulating that [The air conditioning charge should be collected through apportioned calculation based on the operation status (including the temporary processing measure at trouble)].

(1) This system does not measure the power consumption of each indoor unit directly.

(2) As the system estimates the power consumption of air conditioning, the valued obtained herewith may not be applied to the certificate of business transaction.

(3) Even if the operation time of air conditioners is same, the power consumption differs depending on the operating status.

(4) As air conditioners are powered even when they are stopping, the power consumption will be charged.

(5) One watt-hour meter should be connected to one air conditioner. If connected to plural air conditioners, an error will be caused due to the apportioning of total power consumption.

(6) At the failure of PC, G-50A or PLC, the average apportioned value in the past may be adapted for temporary transaction as a solution.

(7) As the power consumption and gas consumption is taken in the form of a pulse, the performance and accuracy are depending on that of the measuring instruments employed. Under this circumstance, we are not liable for the performance and accuracy presented.

(8) As the resultant air conditioning charge is rounded to the nearest whole number at a figure not shown here, please note that an error generates between the air conditioning charge of watt-hour meters and that of the block total.

**CAUTION**

## 8.1 Outline

Before explaining the charging function by measuring instruments, each term used here is introduced.

### (1) What is the basic charge?

This indicates the contracted basic charge of each measuring instrument (electric power, gas, city water, calorie meter).

The basic charge is set in each tenant (charge block) for air conditioning energy charging. While for the direct reading of other measuring instruments, it is set in each measuring instrument.

As for air conditioning, the basic charge represents the charge of air conditioning system for each tenant, apportioned from the contracted electric power charge of whole building. The monthly charge is fixed.

**[Example of calculation method of basic charge]**

① The contract charge of air conditioning is calculated from the contract electric charge of a whole building.

$$\text{Basic charge (Yen)} = \frac{\text{Air conditioner electric capacity of control target}}{\text{Total electric system capacity of whole building}} \times \text{Contract electric capacity} \times \text{Capacity unit price}$$

② This basic charge is divided in proportion with the air conditioning electric capacity per tenant (charge block).

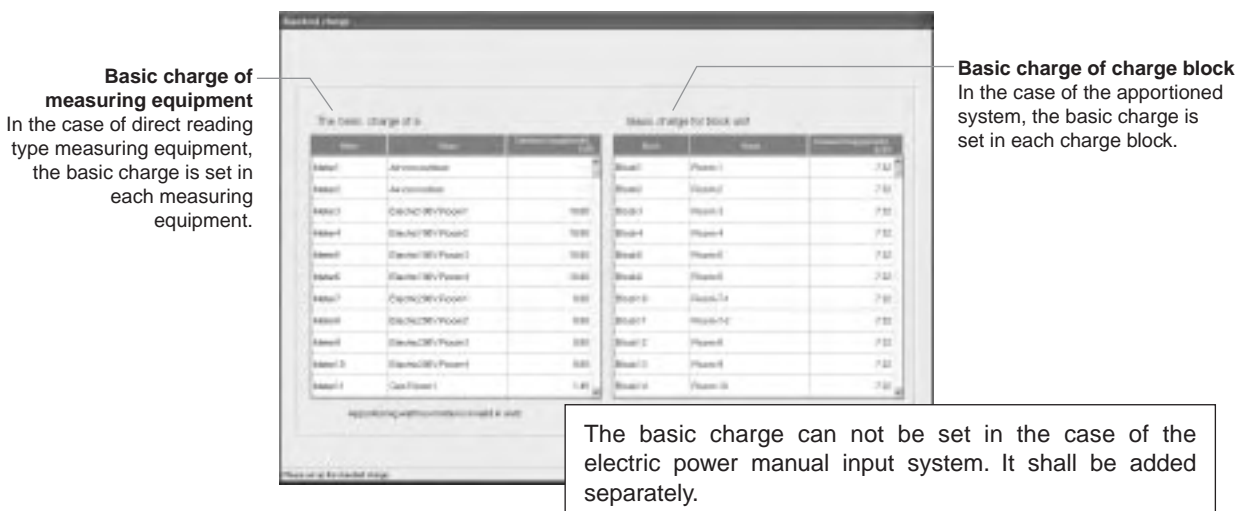


Figure 8-1 TG-2000A basic charge setting screen



## (2) What is charge?

This represents the charge of electric power, gas or water consumed by each air conditioner or tenant (In the case of using electric power count by PC direct connect (Watt Hour Meter (RS-485)), only electric power can be counted). The charge of such consumption can be calculated by the following 2 methods, and the output can be presented in printer output or file output in CSV format.

- Calculation for clearing day

On the clearing day registered to TG-2000A, the monthly charge is calculated automatically. The basic charge is also added. The clearing day may be selected in two ways, from the clearing day specified or the end of the month. In the case of the clearing day specified, the day of 29<sup>th</sup>, 30<sup>th</sup> or 31<sup>st</sup> can not be specified, but the specifying the end of the month conducts clearing at the end of the month. The result of clearing can be selected for printer output or file output.

- Calculation for specified date

The charge may be calculated for any desired period covering 122 days from and including the former day. (The basic charge is not included.)

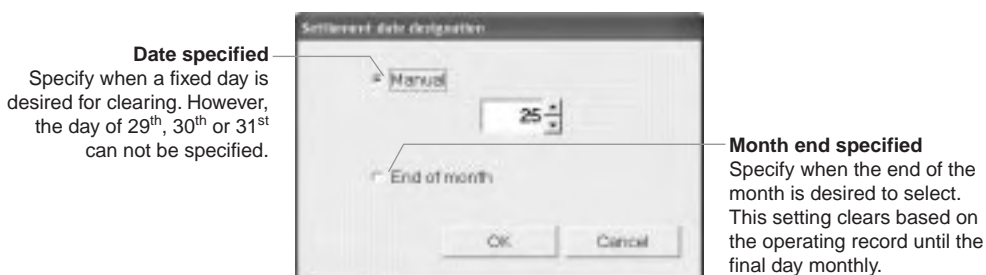


Figure 8-2 TG-2000A clearing day specifying screen

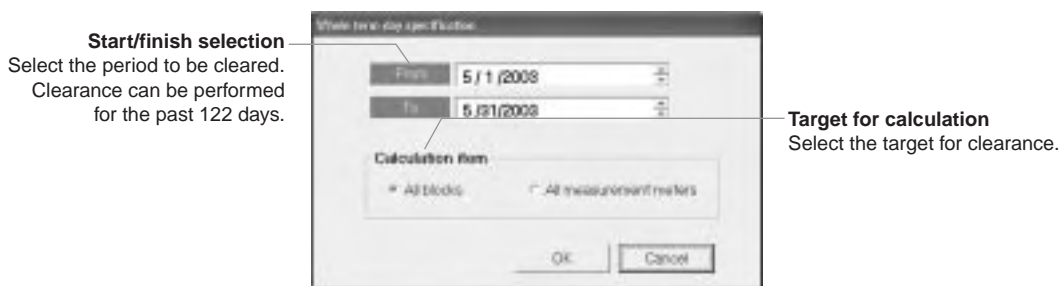


Figure 8-3 TG-2000A clearance period specifying screen

## (3) What is the time frame for charging?

The charge of one calendar day can be set with 5 charge units to 10 time frames divided.

This setting can change the charge unit depending on the time frame in the morning, after noon, overtime or weekend. As the charging unit can be set to each measuring instrument individually<sup>1</sup>, sophisticated operation according to the types of measuring instruments can be performed. However, the setting of time frame should be applied collectively for each measuring instrument.

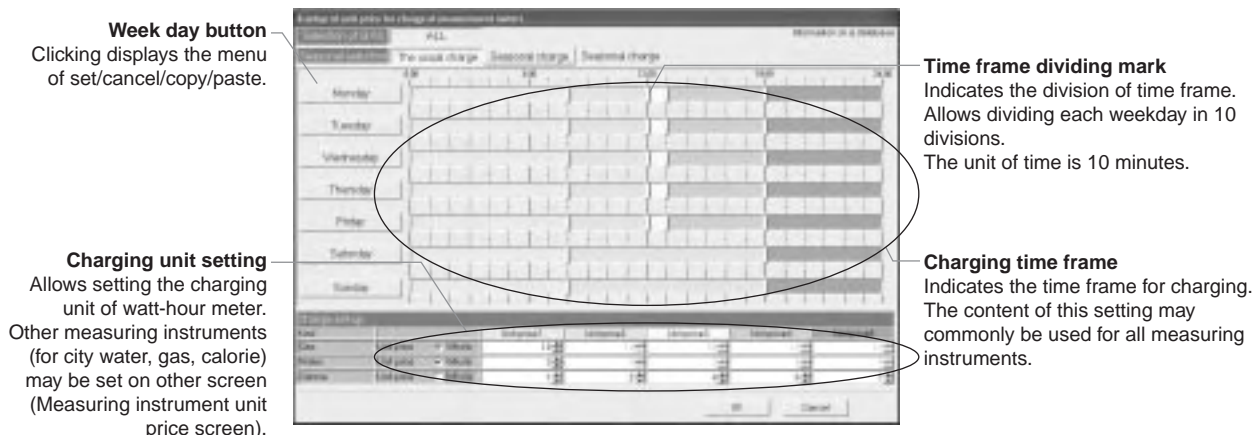


Figure 8-4 TG-2000A charging time frame setting screen

In the case of electric power count by PC direct connect (RS-485WHM), charging unit (daytime, nighttime, weekday, weekend and seasons) can be set up.

<sup>1</sup> Indicates air conditioning, electricity 1, electricity 2, gas, city water and calorie, five types in total.

(4) What is the seasonal charge?

The electrical power charge can be divided into the summer seasonal charge and normal charge.

Because of this, the following management can be adapted for example;

“As a ratio of using air conditioner rises in the summer (July ~ September) and electric power consumption of a whole building increases accordingly, higher power rate may be applied in this period.”

The period of the seasonal charging may be applied by specifying the date of start and end respectively.



Figure 8-5 TG-2000A seasonal charge setting screen (ex, electric power manual input, pulse count)

(5) Setting of special day (Setting of annual charge)

Besides the items (3) and (4) above, a special day of up to 50 days can be set in a range of 24 months in future (including this month).

For the special days, 5 patterns may be set and the patterns may be assigned to 50 days maximum. The unit price of the charging changes by a fact whether the assigned day belongs to the seasonal charging period or normal charging period.



Figure 8-6 TG-2000A annual charge setting screen

This function can not be used in the case of electric power count by PC direct connect (RS-485WHM).



## 8.2 Selection of Charging Function

The G-50A system provides the following 4 methods to calculate the charge by measuring instruments. For the objective models that can be charged by each method, please refer to Table 4-3.

### (1) Manual input of electric power consumption

This method is only applicable to the charging of electric power consumed by air conditioners.

Without using a watt-hour meter, this method calculates electric power consumption in a ratio of each tenant (charge block) by using the daily operation amount and the set capacity of the air conditioner.

Utilizing the electric power apportioned charging calculation tool of TG-2000A, the reading value of the watt-hour meter of the outdoor and indoor units is input manually to calculate the air conditioning charge.

As the basic charge can not be set by this method, it should be added by the user.

### (2) Watt-hour meter pulse counting (Apportioning method)

This method is only applicable to the charging of electric power consumed by air conditioners.

By apportioning the electric power measured by the watt-hour meter connected to the air conditioner and the daily operation of the air conditioner, the electric power consumption per tenant (charge block) can be calculated by this method.

### (3) Measuring instrument pulse counting (Direct reading method)

This charging method covers the Free Plan LOSSNAY for which the above apportioning method is not available, the air conditioning electric power of A-control models, the general electric power of lamps and plug sockets, and the charge of city water.

In such cases, installing a measuring instrument for each charging block is needed.

Charging is performed for each measuring instruments.

### (4) Electric power count by PC direct connect (RS-485WHM)

This charging method is only applicable to the charging of electric power consumed by air conditioners.

By apportioning the electric power measured by the watt-hour meter connected to the air conditioner and the daily operation of the air conditioner, the electric power consumption per tenant (charge block) can be calculated by this method.

#### Note

- When using charge function by the watt-hour meter, use the PLC for counting electric energy (Apportioning method). (Do not recommend using RS-485 WHM, because apportioning data may be lost due to blackout or computer malfunction.)

## 8.3 Basic Composition and Required Materials

### 8.3.1 Manual input of electric power consumption

This method is only applicable to the charging of electric power consumed by air conditioners.

#### (1) Basic composition

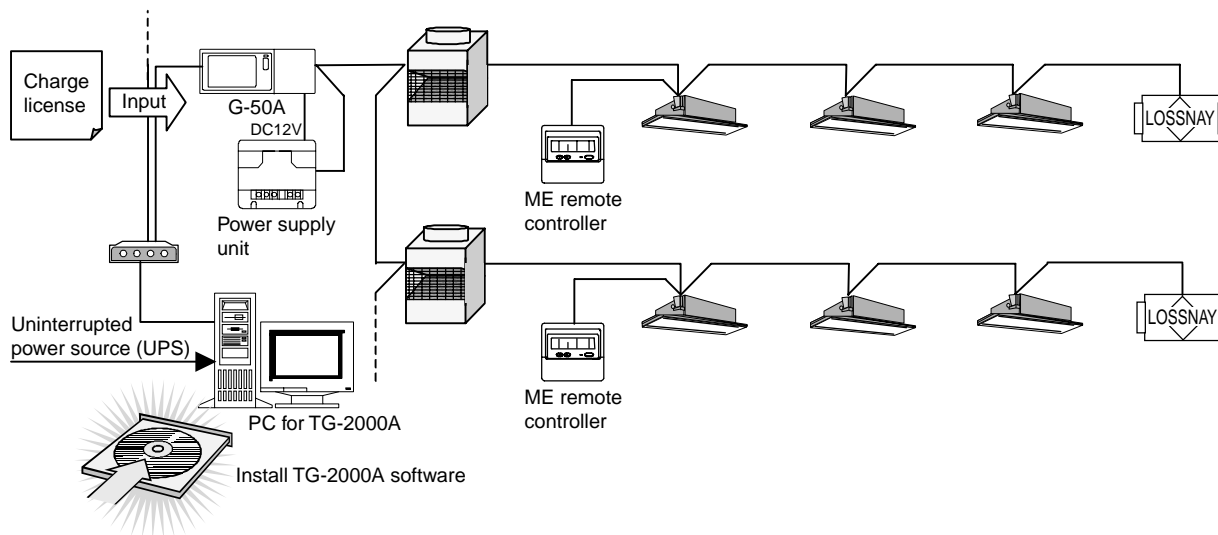


Figure 8-7 Basic composition of electric power manual input method

#### (2) Required materials

Table 8-1 shows the materials required to carry out the electric power manual input method.

Table 8-1 Materials required for simplified charging

Name (Model name)	Manufacturer	Remarks
PC for TG-2000A	PC/AT convertible unit	Confirmed operation of IBM, DELL, Hp Compaq. For PC spec., refer to Table 6-4.
PC for apportioning	PC/AT convertible unit	PC for apportioned calculation of each tenant using CSV file output from TG-2000A. Requires the table calculation software (EXCEL). <sup>1</sup>
Integrated centralized control software (TG-2000A)	Mitsubishi Electric	
Charge license	Mitsubishi Electric	Requires for each G-50A.
Web monitor license	Mitsubishi Electric	Requires for each G-50A.
Uninterrupted power source (UPS) <sup>2</sup>	Mitsubishi Electric (reference)	FREQUPS A-series. (Line interactive system)

<sup>1</sup> This software (apportioning support software) is in the install disk of TG-2000A. Use EXCEL 2000/XP or later.

<sup>2</sup> When [Deactivate] on the [Always connected to G-50A system] item is selected with TG-2000A Ver. 4.51 or later, the operation without UPS connected is possible. (Charge calculation is made correctly during the computer's start-up process even if the computer stops due to a blackout.)

When UPS is connected, and there is a blackout in the middle of the charge calculation, the charge data may be damaged. Therefore, back up the data occasionally.

Moreover, when trend data is collected, it is recommended to connect UPS, so that the data is not deleted due to a blackout.

### (3) Setting items

Table 8-2 shows the items of TG-2000A charging system setting and that of the charging required to carry out the electric power manual input method.

Table 8-2 Setting items of the electric power manual input method

Major item	Subordinate item	Detail
Apportioning mode setting	Apportioning standard data	Select one apportioning standard data from the below. ① Capacity saving (operating capacity) --- Default ② Thermostat time (operating time)
Indoor unit setting		Input the following data to each indoor unit. ① Indoor unit capacity (kW) (cooling) ② Indoor unit fan capacity (kW)
Charge block setting	Charge block setting method	Select the same setting with operation block or new charge block setting.
	Charge block setting	For setting of charge block newly, set it in a unit of operation block.
Seasonal charge setting	Requirement	Select whether changing the unit price by summer winter.
	Summer period setting	When changing the unit price by seasons, set the period of summer.
Weekly charge setting	Unit price	Set the unit price for 5 maximum.
	Charging time frame	Set 5 unit prices to the 10 time frames maximum. When the seasonal rates have been set, set to the summer and winter respectively.
Annual charge setting	Pattern setting	Set 5 charging time frame patterns.
	Special day setting	Assign the 5 patterns previously set to 50 days a year.
Currency setting		Type of currency set up

### 8.3.2 Watt-hour meter pulse counting (apportioning) method

This method is only applicable to the charging of electric power consumed by air conditioners.

#### (1) Basic composition

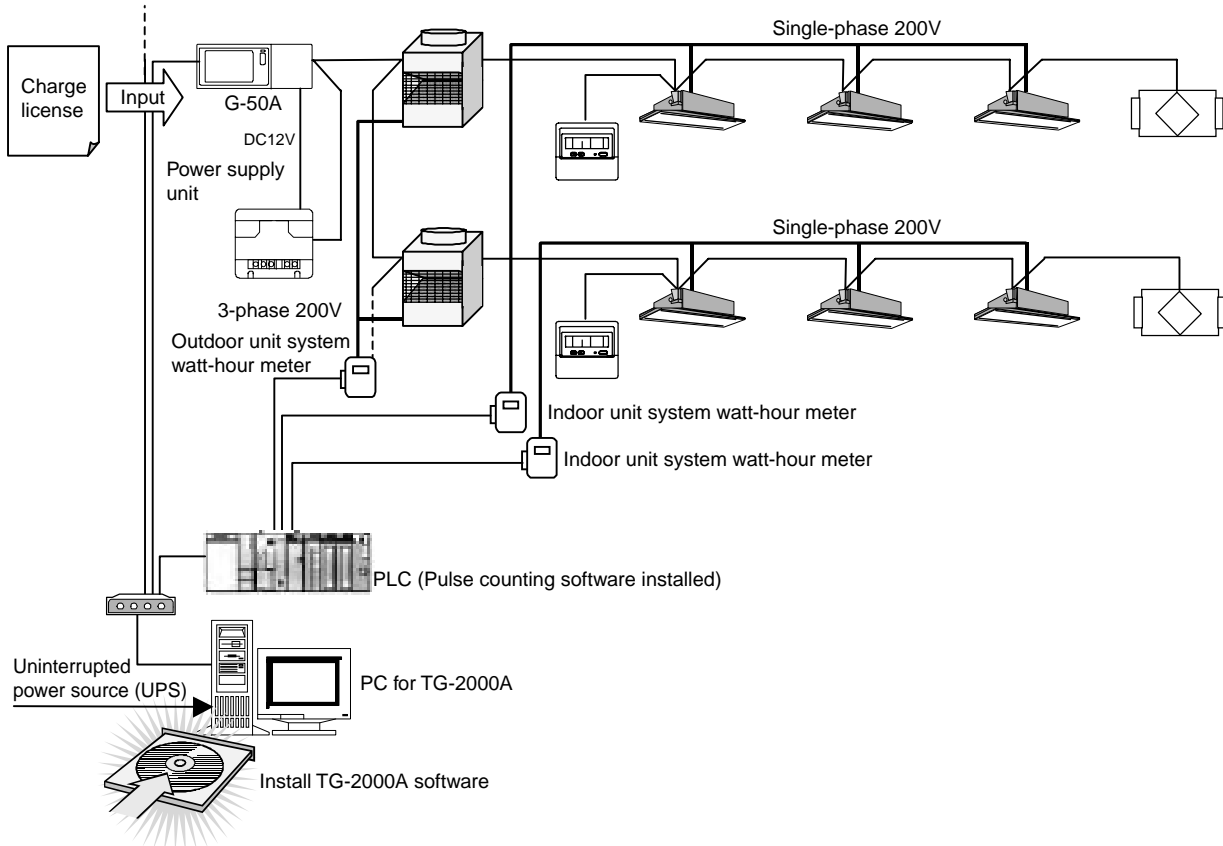


Figure 8-8 Basic composition of electric power pulse counting method

#### (2) Required materials

Table 8-3 shows the materials required to carry out the electric power pulse counting (apportioning) method.

Table 8-3 Materials required for electric power apportioned charging

Name (Model name)	Maker	Remarks
PC for TG-2000A	PC/AT convertible unit	Confirmed operation of IBM, DELL, Hp Compaq. For PC spec., refer to Table 6-4.
Integrated centralized control software (TG2000A)	Mitsubishi Electric	
Charge license	Mitsubishi Electric	Requires for each G-50A.
Web monitor license	Mitsubishi Electric	Requires for each G-50A.
PLC	Mitsubishi Electric	PLC for pulse counting can be connected up to 5 sets. For the PLC specification, refer to Table 12-1.
Electric power pulse counting software	Mitsubishi Electric	For detail, refer to Table 8-4.
Watt-hour meter with pulse oscillator	Mitsubishi Electric	For the specification of the watt-hour meter, refer to Table 10-1.
Uninterrupted power source (UPS)	Mitsubishi Electric (reference)	FREQUPS A-series. (Line interactive system)

#### [Selection of pulse counting software]

The pulse counting software to be installed to PLC differs depending on the IP address of the PLC. Refer to Table 8-4 for selection. One set of PLC can count the measuring instruments up to 32 sets.

Table 8-4 Watt-hour meter pulse counting software

Model name of watt-hour meter pulse counting software	IP address	Explanation
PAC-YG11CDA	192.168.1.151	Fixed to the left address.*

\*In case of IP address needs to be changed, please ask to MITSUBISHI ELECTRIC for details.

### (3) Setting items

Table 8-5 shows the setting of measuring instrument of TG-2000A, charging system and charging set items required for the electric power pulse counting (apportioning) method.

Table 8-5 Setting items of the electric power pulse counting method

Major item	Subordinate item	Detail
PLC quantity setting		Set the quantity of PLC to be connected. Max. 32 sets of measuring instrument can be set to 1 PLC. Max. 5 sets of PLC for pulse counting.
PLC setting	IP address	Determine the IP address of PLC. The following is recommended for the default in TG-2000A. 192.168.1.151 ~ 192.168.1.155
	Installation site	The installation site of PLC can be set.
Measuring instrument setting		The type (air conditioner, electric 1, electric 2, gas, city water, calorie), name, installation site and the pulse unit of measuring instruments are set.
Apportioning mode setting	Apportioning standard data	Select one apportioning standard data from the below ① Capacity saving (operating capacity) --- Default ② Thermostat time (operating time)
	Processing of crankcase heater	Select the apportioning method of outdoor unit crankcase heater. ① Mode 1: Apportioning without special consideration (apportioning together) ② Mode 2: Separate apportioning --- Default value ③ Mode 3: No apportioning
	Indoor unit apportioning mode	Select the apportioning method of power consumption of indoor unit. ① Mode 1: No apportioning (installing watt-hour meter) ② Mode 2: Apportioning --- Default value
Setting for outdoor unit to watt-hour meter		Set the outdoor unit connected to each watt-hour meter.
Outdoor unit setting		Set the crankcase heater capacity of each outdoor unit. (Automatic setting from the database of TG-2000A in principle)
Setting for indoor unit to watt-hour meter		Set the indoor unit connected to each watt-hour meter. Be careful that A-control indoor unit or LOSSNAY can not be measured by same watt-hour meter.
Indoor unit setting		Input the following data to each indoor unit. ① Indoor unit capacity (kW) (under cooling mode) ② Indoor unit fan capacity (kW) ③ Indoor unit heater capacity (kW) (Automatic setting from the database of TG-2000A in principle)
Charge block setting	Charge block setting method	Select the same setting with operation block or new charge block setting.
	Charge block setting	For setting of charge block newly, set it in the unit of operation block.
Currency setting		Type of currency set up
Basic charge setting		Set the basic charge to each charge block and measuring instrument (except for air conditioners).
Seasonal charge setting	Requirement for setting	Select whether changing the unit price by summer and winter.
	Summer period setting	When changing the unit price by seasons, set the period of summer.
Weekly charge setting	Unit price	Set the unit price up to 5 watt-hour meters for air conditioning and that for other applications.
	Charging time frame	Set 5 unit price frames to the 10 time frames maximum per weekday. When the seasonal rates have been set, set it to the summer and winter respectively. This setting is common for all measuring instruments.
Annual charge setting	Pattern setting	Set 5 charging time frame patterns.
	Special day setting	Assign the 5 patterns previously set to 50 days a year.
Setting of measuring instrument unit price	Unit price	In accordance with the classification of measuring instruments other than watt-hour meters, set five unit prices maximum.

### 8.3.3 Measuring instrument pulse counting (direct reading) method

#### (1) Basic composition

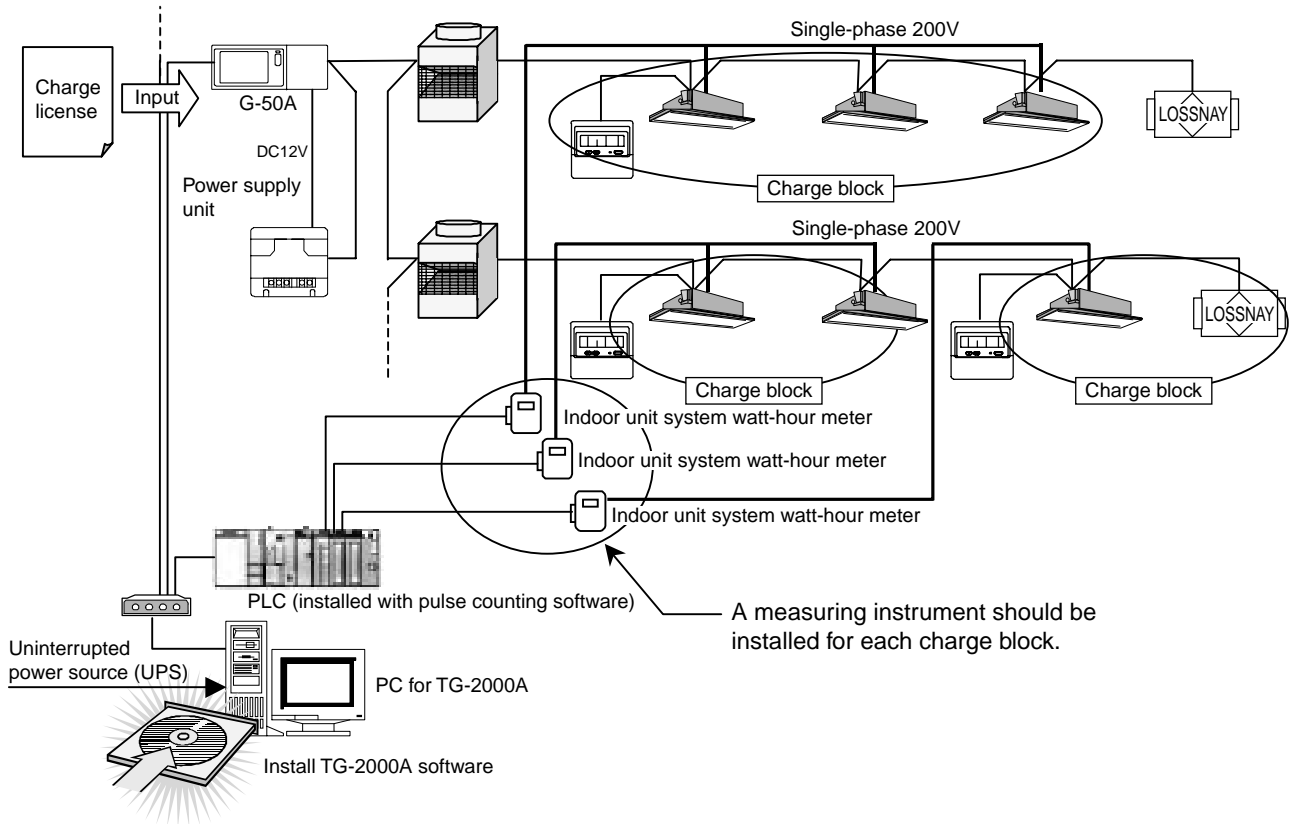


Figure 8-9 Basic composition of measuring instrument pulse counting (direct reading) method

#### (2) Required materials

Table 8-6 shows the materials required to carry out the measurement charging by direct reading. The materials same as that for the apportioning method are required.

Table 8-6 Materials required for measuring instrument charging

Name (Model name)	Maker	Remarks
PC for TG-2000A	PC/AT convertible unit	Confirmed operation of IBM, DELL, Hp Compaq. For PC spec., refer to Table 6-4.
Integrated centralized control software (TG-2000A)	Mitsubishi Electric	
Charging license	Mitsubishi Electric	Requires for each G-50A.
Web monitor license	Mitsubishi Electric	Requires for each G-50A.
PLC	Mitsubishi Electric	PLC for pulse counting can be connected up to 5 sets. For the PLC specification, refer to Table 12-1.
Electric power pulse accounting software	Mitsubishi Electric	For detail, refer to Table 8-4.
Watt-hour meter with pulse oscillator	Mitsubishi Electric	For the specification of the watt-hour meter, refer to Table 10-2.
Water meter with pulse oscillator		For the specification of measuring instruments, refer to Table 10-1.
Gas meter with pulse oscillator		
Calorie meter with pulse oscillator		
Uninterrupted power source (UPS)	Mitsubishi Electric (reference)	FREQUPS A-series. (Line interactive system)

#### [Selection of pulse counting software]

The pulse counting software to be installed to PLC differs depending on the IP address of the PLC. Refer to Table 8-4 for selection. One set of PLC can count the measuring instruments up to 32 sets.

#### (3) Setting item

For this method, the contents of setting differ depending on the load to be measured. Conduct each setting by following the setting items shown in the electric power pulse counting (apportioning) method.

### 8.3.4 Power consumption PC direct reading system (Apportioning system)

This system can only be applied to the charging of power consumption by air conditioners.

#### (1) Basic configuration

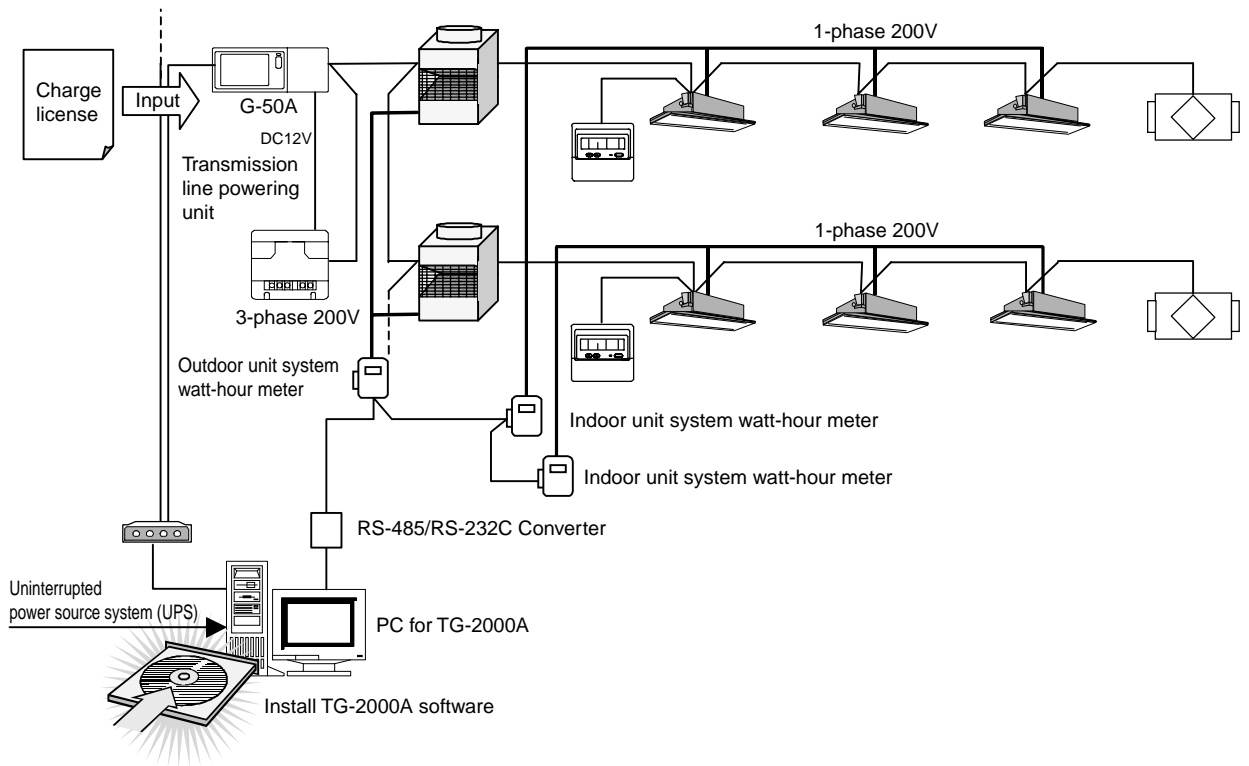


Figure 8-10 Basic configuration of power consumption PC direct reading system (RS-485 Watt-hour meter)

#### (2) Required materials

Table 8-7 shows the required materials to execute the power consumption PC direct reading system (RS-485 watt-hour meter system).

Table 8-7 Required materials for power consumption apportioned charging

Material name (Model name)	Maker	Remarks
PC for TG-2000A	PC/AT compatible machine	Action verified with IBM, DELL, Hp Compaq
Integrated centralized control software (TG-2000A)	Mitsubishi Electric	
Web monitor license	Mitsubishi Electric	Requires for each G-50A system
Charge license	Mitsubishi Electric	Requires for each G-50A system
RS-485 watt-hour meter		For the watt-hour meter specification, refer to Table 10-3. Connectable up to 30 sets
Uninterrupted power source (UPS)	Mitsubishi Electric (Reference)	FREQUPS A Series (Line interactive system)

### (3) Setting items

Table 8-8 shows the setting of the measuring instruments, charging system, and charge setting items of TG-2000A required to execute the power consumption pulse counting system (apportioning system).

Table 8-8 Setting items of power consumption pulse counting system

Major item	Minor item	Detail
WHM number setting		Connectable RS-485 watt-hour meter counts for 30 sets maximum. Setting the usable WHM. Setting the usable COM port. Usable WHM is specified (Refer to Table 10-3.)
WHM setting	Address	Deciding WHM address
	Installation site	Possible to set WHM installation location
	Maximum integrated value	Setting the maximum integrated value of WHM, watt-hour meter (kWh).
Apportioning mode setting	Apportioning standard data	Selecting one of the apportioning standard data of outdoor unit among two below. ① Capacity saving value (Consumed capacity) - - - Default value ② Thermostat time (Operating time)
	Transaction of crankcase heater	Selecting the transaction method of power consumption by outdoor unit crankcase heater. ① Mode 1 : Apportions not taking it specifically (apportioning together) ② Mode 2 : Apportions separately - - - Default value ③ Mode 3 : No apportioning
	Apportioning mode of indoor unit	Selecting the transaction method of indoor unit power consumption ① No apportioning (installing watt-hour meter) ② Apportions - - - Default value
Setting between outdoor unit - watt-hour meter		Setting the outdoor unit connected to measuring instrument unit
Outdoor unit setting		Setting the crankcase capacity of each outdoor unit (Basically it is set automatically from the database in TG-2000A)
Setting between indoor unit - watt-hour meter		Setting the indoor unit connected to measuring instrument unit Be careful that indoor unit can not be measured with the same watt-hour meter of A-control indoor unit or LOSSNAY.
Indoor unit setting		Entering the data below for each indoor unit ① Indoor unit capacity (kW) (Cooling mode) ② Indoor unit fan capacity (kW) (Basically it is set automatically from the database in TG-2000A)
Charge block setting	Setting method of charge block	Selecting to use the same block of operation block or set a charge block independently
	Setting of charge block	Setting in a unit of the operation block to set a charge block independently
Currency setting		Selecting or setting the currency to use
Basic charge setting		Setting the basic charge for each charge block and measuring instrument (other than that for air conditioning)
Power rate setting	Necessity of execution	Selecting the time frame only for daytime, or daytime and nighttime and the use of seasonal rate
	Setting of seasonal period	Defining the summer period when applying the seasonal rate
	Unit price	Setting the unit price for air conditioning watt-hour meter, daytime and nighttime, and season (daytime and nighttime).
	Charging time frame	Setting the charging time frame for the daytime and nighttime being set per weekday and weekend. When the seasonal rate is being set, set it individually.



# 8.4 Mechanism of Charge Calculation

The mechanism of electric power apportioned charge calculation by TG-2000A is given below.

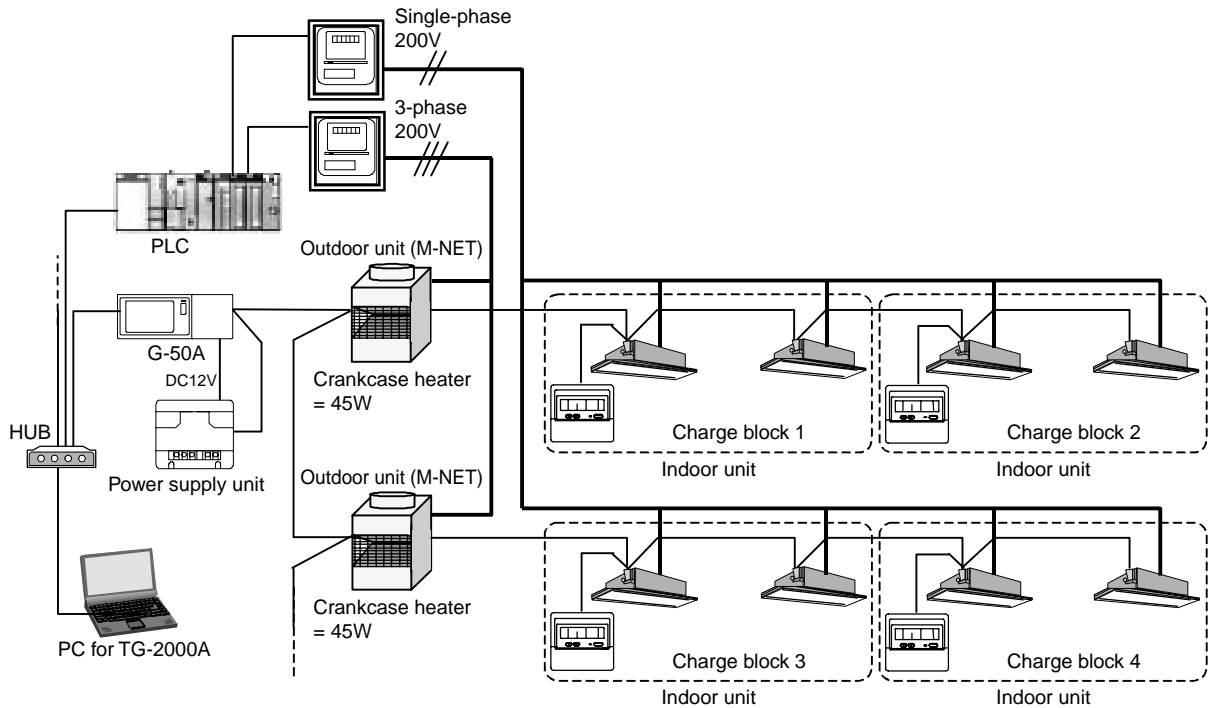


Figure 8-11 Example of charging system [Electric power pulse counting (apportioning) method]

## 8.4.1 Role of each item

### (1) Watt-hour meter with pulse oscillator (not required when using the electric power manual input method)

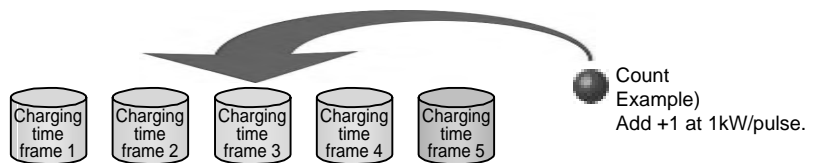
The watt-hour meter with pulse oscillator outputs pulses corresponding to the power consumption of air conditioners. The pulse has unit (weight) such as 1kWh or 0.1kWh per 1 pulse for example. (TG-2000A recommends 1kWh or less per pulse.) This watt-hour meter is essential when using the apportioning method or direct reading method.

RS-485 electric meter is needed for electric power count by PC direct connect (RS-485WHM). (The minimum unit, such as 1kWh or less, is recommended.)

### (2) PLC (not required when using the electric power manual input method and electric power count by PC direct connect)

The PLC (Sequencer) integrates the pulse output from watt-hour meters by dividing into the charging time frame being set by TG-2000A.

In the case when the apportioning or direct reading method is used, "Pulse counting software: PAC-YG11CDA" is required by PLC.



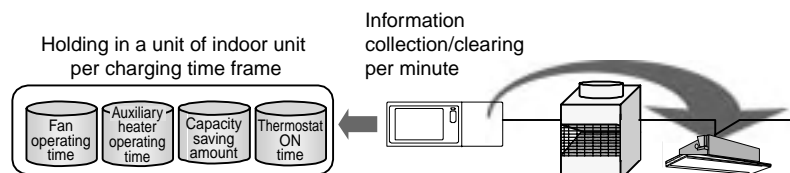
### (3) G-50A

The G-50A monitors the operation information of indoor units required by charging for each 1 minute, and holds the information in a unit of indoor unit dividing in the charging time frame. Such process is conducted by G-50A regardless of the charging methods.

The information required for charging are as follows (Includes electric power count by PC direct connect (RS-485WHM)).

- ① Operation time of indoor unit fan
- ② Operation time of indoor unit auxiliary heater
- ③ Capacity saving amount (Time)
- ④ ON time of thermostat

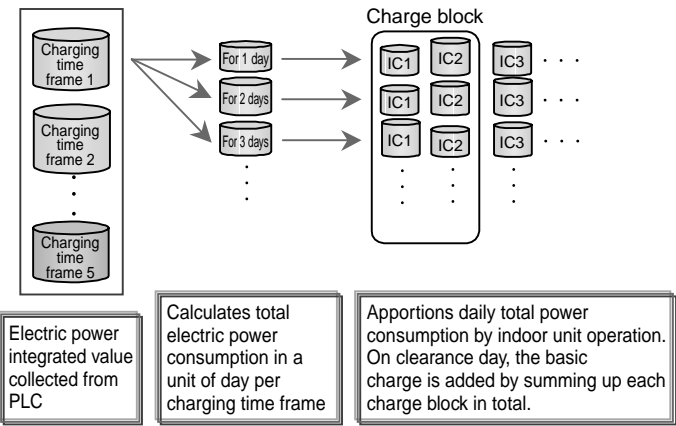
In the case of the direct reading method, the information collection by G-50A is not necessary. However, the license registration is required as the charging function is used as same as the other methods.



#### (4) TG-2000A

By collecting charging information from PLC and G-50A, the TG-2000A conducts the apportioning calculation of these data during AM 4:00 ~ 7:00 once a day. As the electric power consumption collected from PLC represents the integrated value, TG-2000A takes a difference with the electric power consumption of the previous day and holds the data converted in the daily power consumption.

On the clearance day, the daily apportioning data is added and the basic charge is also added for clearing. When [Deactivate] on the [Always connected to G-50A system] item is selected, the clearance can be made at other than the time specified above.



#### 8.4.2 Apportioning calculation method of outdoor unit

The apportioning calculation method when a watt-hour meter is installed on the power source line of outdoor unit is shown here taking Figure 8-11 as an example.

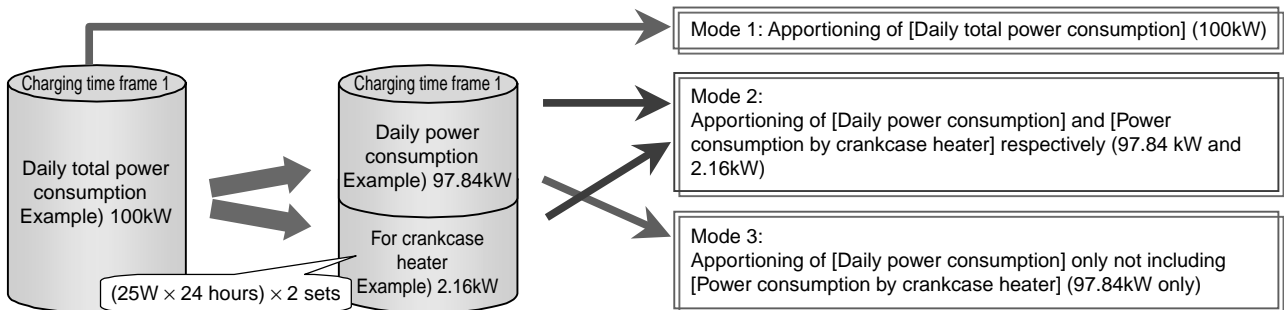
##### (1) Decision of outdoor unit apportioning calculation method

The calculation method differs depending on the processing ways of electric power consumed by the crankcase heater which is the waiting electric power of the outdoor unit. The processing methods include the mode 1 ~ mode 3 required to be set on TG-2000A.

Mode 1: Apportioning including crankcase heater portion

Mode 2: Apportioning calculating crankcase heater portion separately (Default value)

Mode 3: Apportioning not including crankcase heater portion



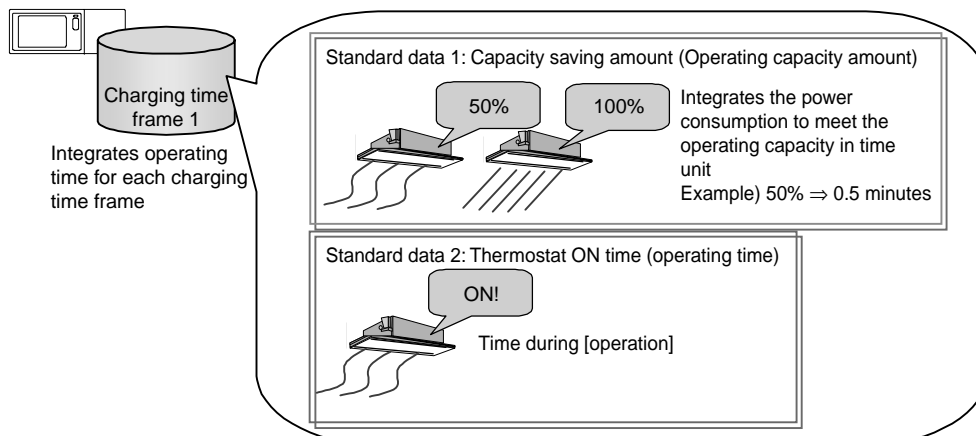
##### (2) Decision of apportioning standard data

The apportioning standard data of the indoor units used by each tenant (charge block) can be selected from the following two methods. (Selection by TG-2000A)

These data are integrated by G-50A for each indoor unit per charging time frame and collected by TG-2000A once a day.

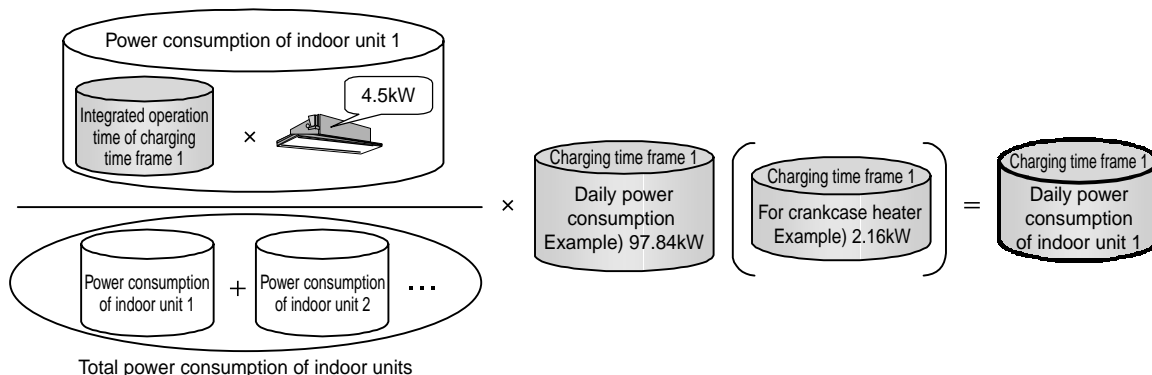
① Standard data 1: Capacity saving amount (default) ⇒ Integrates power consumption corresponding to operating capacity

② Standard data 2: Thermostat ON time ⇒ Integrates ON time of thermostat



### (3) Apportioning by apportioning standard data

To calculate [Power consumption per indoor unit], multiply the operation time by the standard data being calculated for each indoor unit per charging time frame with each capacity. Sum up this [Power consumption per indoor unit] for the indoor units inside the watt-hour meter to obtain [Indoor unit total power consumption]. Using a ratio of these two data, calculate [Daily power consumption by indoor unit] once a day.



### (4) Processing on clearance day

On the clearance day, sum up [Daily power consumption by indoor unit] for each tenant (charge block) and add the basic charge to calculate the monthly electric charge.



#### **CAUTION**

The basic charge is only added at calculation on the clearance day, and printed out after summing up the air conditioning charge. Printing out is not available for the calculation of specified day.

### 8.4.3 Apportioned calculation of indoor unit

Figure 8-10 shows an example of apportioning method when a watt-hour meter is installed on the indoor unit power source line.

#### (1) Decision of indoor unit apportioning mode

First decide to carry out the apportioning of indoor unit or not.

When a watt-hour meter is not connected to the power source line of indoor unit, set to [No apportioning].

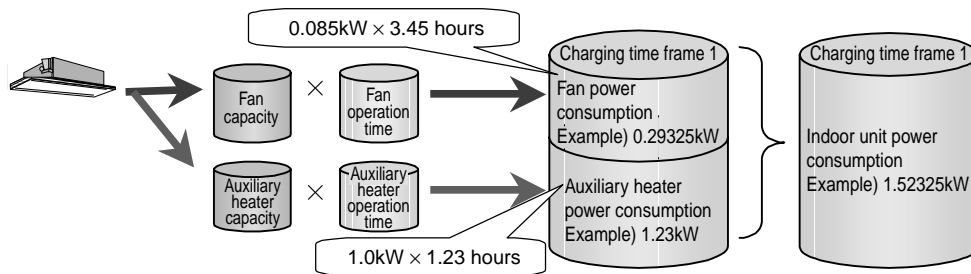
No apportioning: The electric power consumption of indoor unit will not be apportioned.

Apportioning : The electric power consumption of indoor unit will be apportioned by “Integrated time × Fan capacity

When “Apportioning” is selected, [Power consumption per indoor unit] is integrated for each charging time frame per indoor unit by dividing it into [Auxiliary heater power consumption] and [Fan power consumption].

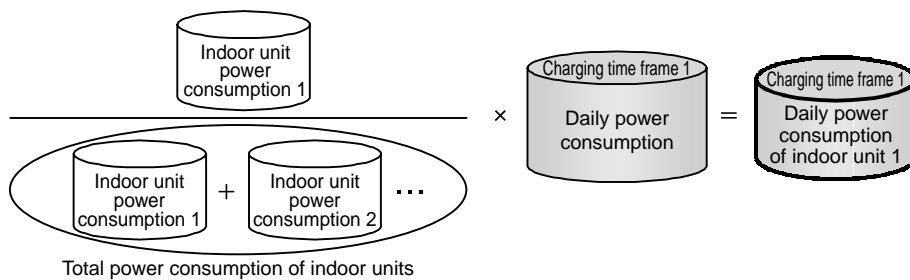
For the models without auxiliary heater, [Fan power consumption] = [Power consumption per indoor unit] is applied.

For the auxiliary heater and fan operation time, G-50A collects it from the indoor unit in a cycle of 1 minute.



#### (2) Apportioning calculation of indoor unit

[Power consumption per indoor unit] integrated for each indoor unit per charging time frame is summed up for the indoor units in the watt-hour meter system to obtain [Total power consumption of indoor units]. Using a ratio of these two data, [Power consumption] per charging time frame collected from PLC or RS-485WHM is apportioned once a day.



#### (3) Processing on clearance day

On the clearance day, sum up [Daily power consumption by indoor unit] for each tenant (charging block) and add the basic charge to calculate the monthly electric charge.

**⚠ CAUTION** The basic charge is only added at calculation on the clearance day, and printed out after summing up the air conditioning charge. Printing out is not available for the calculation of specified days.

## 8.4.4 Manual input of electric power consumption

The calculation method of manual input not connecting watt-hour meter is given below.

With this method, calculation is performed by employing the reading value of watt-hour meter without using watt-hour meter or PLC itself.

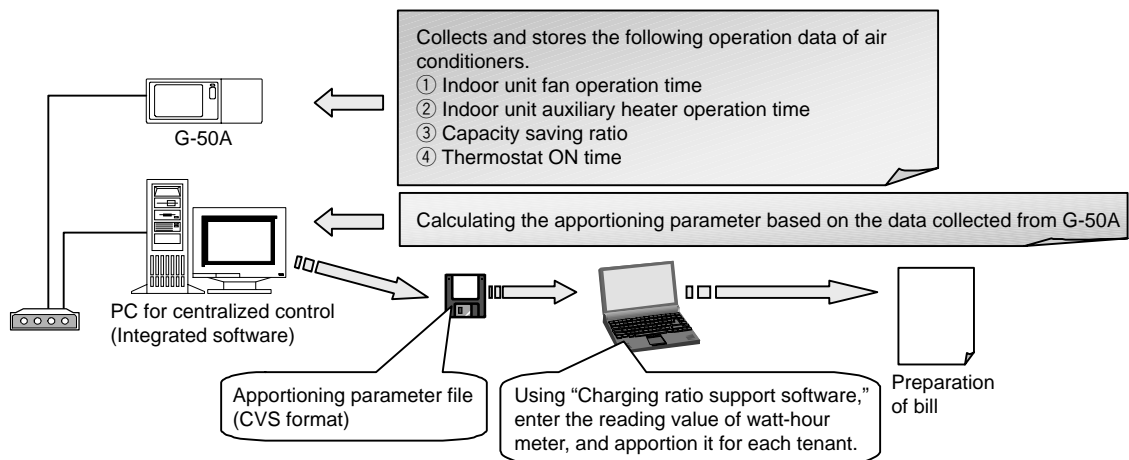


Figure 8-12 Mechanism of electric power manual input

### (1) Basic charge

This method can not process the basic charge as its sole function is to calculate air conditioning charge based on the operation data. The basic charge should be added by the user additionally.

### (2) Air conditioner charge

The air conditioning charge of each tenant can be calculated by using “Charging ratio support software (EXCEL)” locating in the Integrated software install CD-ROM.

For the parameters required to calculate the charge, use “Apportioning parameters” and “Charging ratio” explained in the Items 8.4.2 and 8.4.3.

By employing the file prepared by the integrated software based on these parameters (CSV file) and the manual input of the electric power consumption of indoor/outdoor units, the air conditioning charge per charge block (tenant) can be calculated by using a calculation software like “Charging rate support software.”

### (3) Apportioning parameters of outdoor unit

As explained in the item 8.4.2, calculate the value by using the indoor unit rated capacity for each indoor unit per charging time frame, and total the value multiplied by the unit price for the charging blocks, and then calculate a ratio to the total of all blocks.

Apportioning parameter =

Integrated value of indoor unit capacity control level (Capacity saving ratio or thermostat ON time) × Charging parameter of indoor unit rated capacity =  $\Sigma$  (Apportioning parameter × Unit price)

$$\text{Charging ratio [\%]} = \frac{\text{Total charging parameter of relative block}}{\text{Total charging parameter of all blocks}}$$

### (4) Apportioning parameters of indoor unit

As outlined in the item 8.4.1, calculate by using the rated electric power of the fan and auxiliary heater of indoor unit per charging time frame and sum up the value multiplied by the unit price for charging block, and calculate a ratio to the total of all blocks. For the indoor unit without auxiliary heater, amount of “ON time of auxiliary heater × auxiliary heater electricity power consumption” will be zero.

Apportioning parameter = Operation time of indoor unit fan × Rated power consumption + ON time of auxiliary heater × Auxiliary heater electricity power consumption

Charging parameter =  $\Sigma$  (Apportioning parameter × Charging unit price)

$$\text{Charging ratio [\%]} = \frac{\text{Total charging parameter of relative block}}{\text{Total charging parameter of all blocks}}$$

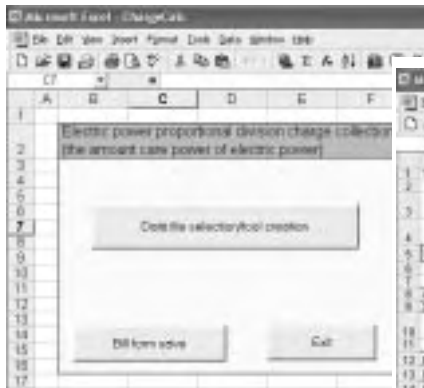
## (5) Charging ratio support software

By using “Charging ratio support software” (EXCEL) provided with the integrated software, the charge apportioning and bill preparation for each tenant can be performed.

Through the reading of the operation time data file prepared by TG-2000A from the menu screen of the charging ratio support software, automatic calculation will be carried out. By inputting the reading value of each watt-hour meter manually, apportioning calculation will be performed. A bill can be automatically prepared by merely selecting the tenant name.

For the data file of operation amount, CSV<sup>1</sup> file created on the clearance day automatically or that output from the air conditioning charge confirming screen can be used.

The file output can be changed freely. (Default value: C:\TG-2000A\Chr\Chargefile\)



Charging ratio support software

Building name	Charge ratio Outdoor unit %	Charge ratio Indoor Unit %	Charge Outdoor unit (EUR)	Charge Indoor unit (EUR)	Air-conditioning charge (total) (EUR)
Res1	36.83	62.86	112000	214200	326200
Res2	13.34	14.25	36000	74500	110500
Res3	13.36	14.25	37200	74500	111700
Res4	13.36	14.25	36500	74500	111000
Res5	13.29	14.25	35800	74500	110300

Manual input of reading value of watt-hour meter

Result of apportioning

Item	Amount of money	Note
Air-conditioning charge	8,260,500	
Cash calculation Item 91.0000 - 911.0000		

Bill Form

<sup>1</sup> Outputs when specifying the air conditioning charge output to “File output” in the charge relating setting of TG-2000A (user setting screen).

### 8.4.5 In the case of measuring instrument pulse counting (direct reading) method

The measuring instrument pulse counting (direct reading) method is explained here.

For this method, charging is practiced only by the measuring instrument value collected by PLC.

Therefore, a measuring instrument is required to install for each charge block (tenant).

It is required to prepare PLC, the pulse counting software and the license registration of all G-50As<sup>1</sup>.

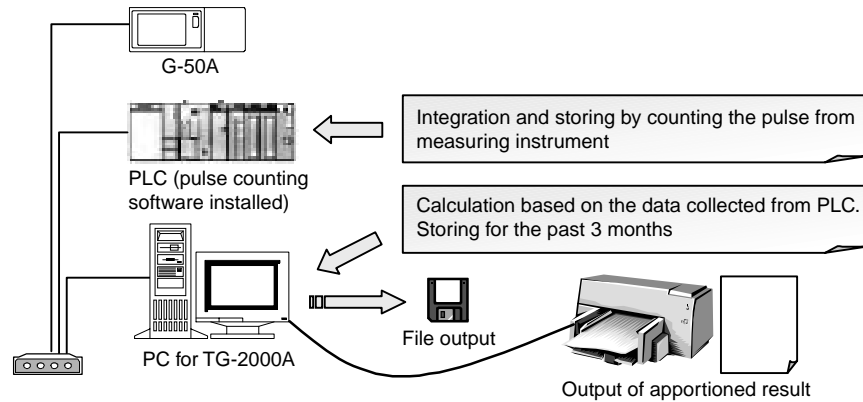


Figure 8-13 Mechanism of electric power pulse counting (direct reading) method

#### (1) Basic charge

The basic charge is calculated by referring the contract rate of electricity, gas and city water and set to TG-2000A for each measuring instrument.

#### (2) Unit price

For the unit price, the electricity may be set in 2 types (Electricity 1 and Electricity 2), and gas, city water and calorific amount be in 1 type.

However, the time frame is set to all measuring instruments collectively.

#### (3) Charge

In this method, the charge may be calculated by multiplying the values of the measuring instruments provided by the unit price and further adding the basic charge.

<sup>1</sup> In the case of the measuring instrument pulse counting method, the operation information of air conditioners is not required, but the license registration to G-50A is essential.



# 8.5 Output of Charging Data

Thanks to the use of TG-2000A, the apportioned result and power consumption can be output per each watt-hour meter, unit price<sup>1</sup> or block. The output content (format) differs depending on the content of “Charging relations” set among the user setting items on the initial setting screen. Select the output format to meet your purpose of use.

Table 8-9 List of charging data output format

Output data		Output format			
		Standard print	Per unit	Per unit price	Detail of unit price classification *1
Charging block data	Apportioned power consumption [kWh]	○	○ Detail of unit	○ Detail of unit price	○ Detail of charging unit price per block
	Basic charge [yen]	○	○	○	○
	Charge [yen]	○	○ Detail of unit	○ Detail of unit price	○ Per block
	Total air conditioning charge [yen]	○	○	○	○
	Apportioned power of outdoor unit [kWh]	×	×	×	○ Per unit, per unit price
	Apportioned power of indoor unit [kWh]	×	×	×	○ Per unit, per unit price
Measuring instrument data	Measuring instrument	○	○	○ Detail of unit price	○ Detail of unit price
	Basic charge [yen]	○	○	○	○
	Charge [yen]	○	○	○	○
	Total air conditioning charge [yen]	○	○	○	○

Detail of unit price (per unit price)

Detail of unit price (apportioned result)

Whole block output (watt-hour meter)

\*1: This function is not available for electric power count by PC direct connect (RS-485WHM).

<sup>1</sup> With the former versions of Ver.4.30 of TG-2000A, printing per unit price (time frame) or per unit can only be done only when the clearance day is set. In calculating for a specified date, the output format of standard printing can only be performed.



Examples of each output file of charge data (CSV format) are shown below.

### (1) Charge block data

11 Air-conditioning charge Block(Standard)				
Costs calculation term : 5/1/2004 - 5/31/2004				
Block name	Apportioned consumption amount	Basic charge	Use power charge	Sum total
	[kWh]	[EUR]	[EUR]	[EUR]
Tenant 1	8050.4	10	40252	40252
Tenant 2	7993.3	10	39966	39966
Tenant 3	8055.5	10	40277	40277
Tenant 4	8067.2	10	40336	40336
Tenant 5	8077.4	10	40387	40387
Tenant 6	8091.4	10	40457	40457
Tenant 7	8137.9	10	40689	40690
Tenant 8	7998.2	10	39991	39991
Tenant 9	7974.5	10	39872	39872
Tenant 10	7974.7	10	39873	39874

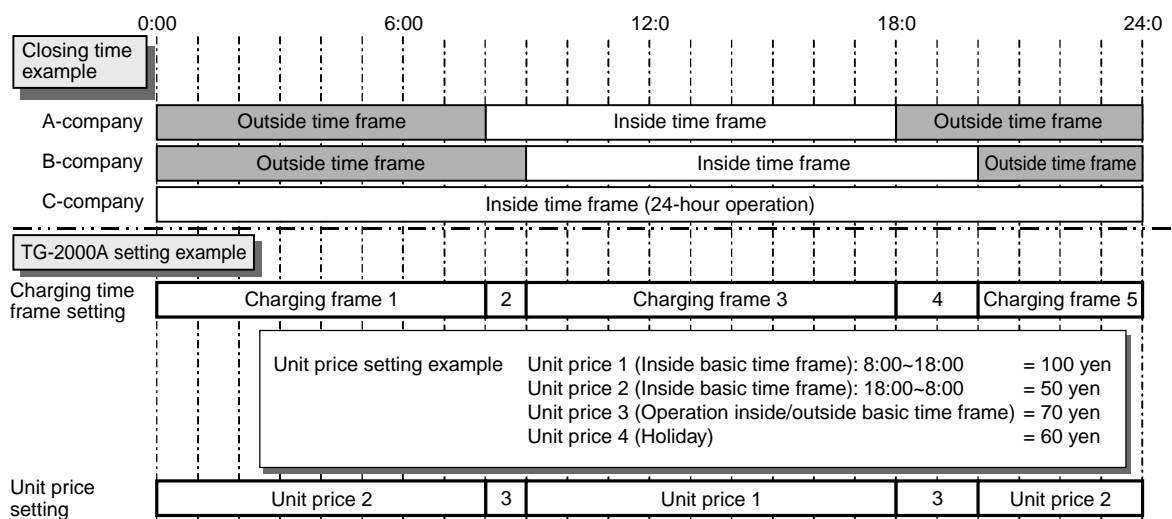
### (2) Measurement meter data

26 Air-conditioning charge measurement meter(Standard)						
Costs calculation term : 5/1/2004 - 5/31/2004						
Measurement meter name	Installation place	Measurement	Unit	Basic charge	Use power charge	Sum total
				[EUR]	[EUR]	[EUR]
Meter1		40210	kWh	0	201052	201052
Meter2		20105	kWh	0	100526	100526

The clearance result is notified day after the clearance day.

## 8.6 Charging Method

As shown below, the charging in this system can be set as follows. Divide the time frame 0:00 ~ 24:00 into 10 charging frames, and assign 5 charging unit prices to each charging frame respectively for setting. Please note that each setting is common within the system.



As the above setting can be made for each weekday individually, the unit price specified for holiday can be employed.

Figure 8-14 Setting example of charging time frame and unit price

In the case of electric power count by PC direct connect (RS-485WHM), charging unit (daytime, nighttime, weekday, weekend and seasons) can be set up. Setting will be different from Figure 8-14.

<sup>1</sup> Charging can not be made without this setting.

## 8.7 Caution for Using Charging Function

Please observe the following points when using the charging function.

### (1) Caution for each control/setting

- When using the charging function (power apportioned charging), make sure to conduct clearing process before setting or modifying the system composition, monitoring display setting, and charging system setting.  
When any item has been modified, the setting of the charging system should be modified or identified.
- About the time setting  
Since the change of time affects the power apportioned calculation of air conditioning charge, do not practice it frequently in waste. (Suppress the frequency of time adjustment to once a month or the like. Do not run the date when any changes are made.)  
For the time setting, use the time setting function of TG-2000A. Never attempt to conduct to change the setting by Web browser or “Property of Date and Time” of Windows.
- After the default, conduct a test run in compliance with “Integrated centralized control software TG-2000A Operation Manual (Site adjustment)”, and check whether the charge calculation is correctly made.

### (2) Caution for air conditioning charge

- To use this charging function (power apportioned charging), it is recommended to conclude an agreement between the building owner and tenants stipulating that the air conditioning charge shall be collected by the apportioned charging based on the operation records (including temporary measure taken at trouble).
- To prevent the stopping of integrated software or the destruction of data at power failure or instantaneous power stoppage, recommend to install an uninterrupted power source system. (Recommended Model: Mitsubishi Electric FREQUPS-A series)
- It is recommended to keep the result of air conditioning charge in other way than storing in the centralized control PC. (for example to print on paper)
- The registration of charge license to G-50A unit is required for all units registered to the centralized control PCs. Without the registration, the air conditioner charging function does not operate normally. (All of the G-50A requires Web monitor license registration.) Please refer to section 2,3 for function licence.

### (3) Calculation of air conditioning charge

- The calculation method of air conditioning has originally been developed by us where the apportioning parameter is calculated judging from the operation state of the air conditioner.  
For this reason, it differs far from the system installing a watt-hour meter on the power supply site of each air conditioner. If plural outdoor units are apportioned with one watt-hour meter, the calculation will be carried out regarding the plural units as a one large outdoor unit. Here the COP of each outdoor unit will not be taken into consideration.
- When trouble is occurred on the system, such measure will be taken as to forward the apportioning calculation to the next day or not to conduct the apportioning calculation.  
To modify the apportioning data, use the function “Data maintenance of charging.”
- In the case of the power consumption PC direct reading (RS-485WHM) system, the corresponding power consumption can not be apportioned or counted when a WHM generates trouble. Please use the function of [Maintenance of charging data] in such case.
- Since the air conditioning charge is calculated in a unit of charging block, the indoor units not registered to the charging block will not be reflected to the air conditioning charge.
- As the resultant air conditioning charge is rounded off at a figure not shown here, please note that an error will be induced between the air conditioning charge of watt-hour meters and that of the total blocks.

# 9. Step 6: Energy Saving/Peak Cut Control

Here the energy saving control or peak cut control to be performed by G-50A is set.

This setting is essential in conducting the energy saving control or peak cut control.

As this function is optional, the license registration to G-50A is necessary to use.

A different license should be applied to the energy saving control and peak cut control respectively, the license for your desired usage should be registered.

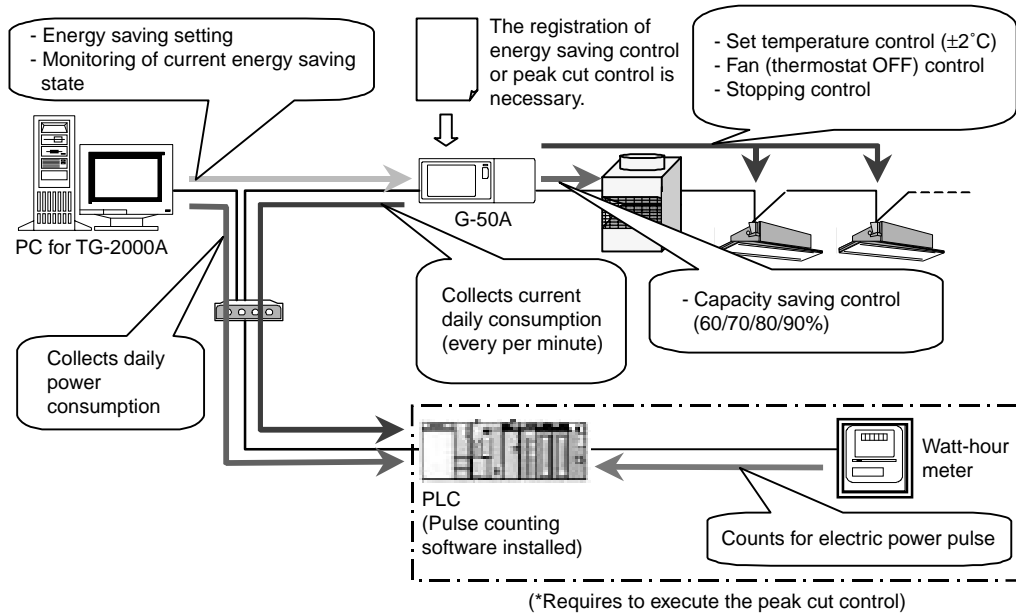


Figure 9-1 Energy saving/peak cut control system composition

## Notice

- For PLC, the pulse counting software (Ver.1.01 ~ ) used for the power apportioning function can be applied. (Pulse counting software: PAC-YG11CDA, etc. installed)
- For the pulse counting software used at peak cut control, employ that Ver.1.01 or later.
- For the peak cut control, use one set of watt-hour meter for each G-50A.
- The peak cut control license contains the function of energy saving control.
- Peak cut control is not available in RS-485WHM system.

## CAUTION

[Re: Energy saving/peak cut function]

- During the use of the peak cut function, any damage such as the exceeding of power consumption than the contract demand should induced due to the trouble of G-50A or PLC, such damage will not be indemnified, for which your kind understanding is requested.

# 9.1 Outline

Applying the energy saving setting from the integrated software TG-2000A allows conducting the energy saving control by the indoor/outdoor units or peak cut control by using PLC.

Table 9-1 Outline specification of energy saving control/peak cut control

Item		Content
Energy saving control	Indoor unit control	<p>The integrated software sets the following energy saving items and energy saving time to G-50A per operation block. G-50A conducts energy saving operation to the indoor units with the set detail.</p> <ul style="list-style-type: none"> <li>① Temperature control (<math>\pm 2^{\circ}\text{C}</math>)</li> <li>② Fan control (Thermostat ON)</li> <li>③ Stopping control</li> </ul> <p>For the block with temperature difference between set and inlet temperature exceeding the set, the energy saving control set at level 0 is not applied.</p>
	Outdoor unit control	<p>The integrated software sets the following energy saving items and energy saving time to G-50A per outdoor unit and the set G-50A conducts the energy saving operation for the outdoor unit.</p>
Peak cut control		<p>Connecting the watt-hour meter (PLC) allows conducting energy saving operation meeting the power consumption. The control object and detail are same as that of the energy saving rotated control. One set of the watt-hour meter can be set for each G-50A.</p>
Monitoring of energy saving control status/history <sup>1</sup>	Control status	<p>During the energy saving control, the energy saving mark is displayed on the air conditioner group icon of Web, integrated software.</p>
	Daily report	<p>Daily power consumption and control level can be monitored by the integrated software. G-50A can hold the data for 3 days max. including that of today, yesterday and the day before yesterday.</p>
	Monthly report	<p>Monthly power consumption can be monitored by the integrated software (for 62 days max.). The integrated software monitors from PLC for display and storing.</p>

<sup>1</sup> Daily report and monthly report are the function only effective when "Energy saving peak cut control license" is registered.

To collect the energy saving status and history data, TG-2000A is required always to operate. The automatic output CSV file of daily/monthly reports can be stored for 2 years maximum.

## 9.2 Energy Saving Control

The energy saving control includes the items listed on Table 9-2, and they can be set from the integrated software for each block freely.

After setting, G-50A conducts energy saving control on to the air conditioning group within the operation block in a unit of 3 (3/6/9/15/30 minutes) within a 30 minutes not allowing overlapping<sup>1</sup> the control time.

In consideration of comfort, it can be set not to apply the set energy saving control<sup>2</sup> to the block of which temperature difference between the set and inlet temperature exceeds the temperature difference freely set (3°C ~ 9°C).

(Setting of ineffective energy saving control by temperature difference)

Table 9-2 Energy saving control items

Control unit	Control items	Control detail
Indoor unit	Set temperature control	Cool/dry: +2°C, Heat: -2°C (No control for fan, auto) * Shifting by ±2°C at control start time, returning to original temp. at control finish. * When set temp. was changed from local remote controller, browser, G-50A unit or schedule during temp. control, and the temp. value at control finish differed from that at the start, it does not return to the state before the control.
	Fan (thermostat OFF) control	Capacity saving 0% control for Free Plan indoor units and A-control Slim indoor units. Fan operation control for the models before Free Plan. * When the mode was changed from remote controller, browser, G-50A unit or schedule during fan mode control, and the mode at control finish was that other than fan mode, it does not return to the state before the control.
	Stopping control	Stopping outdoor unit * Transmits "STOP" at control start time and returns to the original start/stop state at control finish. * When the operation was made from local remote controller, browser, G-50A unit or schedule during stopping control, and the state at control finish was not stopping, it does not return to the state before the control.
Outdoor unit	Capacity saving control <sup>3</sup>	The maximum value of outdoor unit operating capacity can be controlled to 60%/70%/80%/90% (in 10% unit).

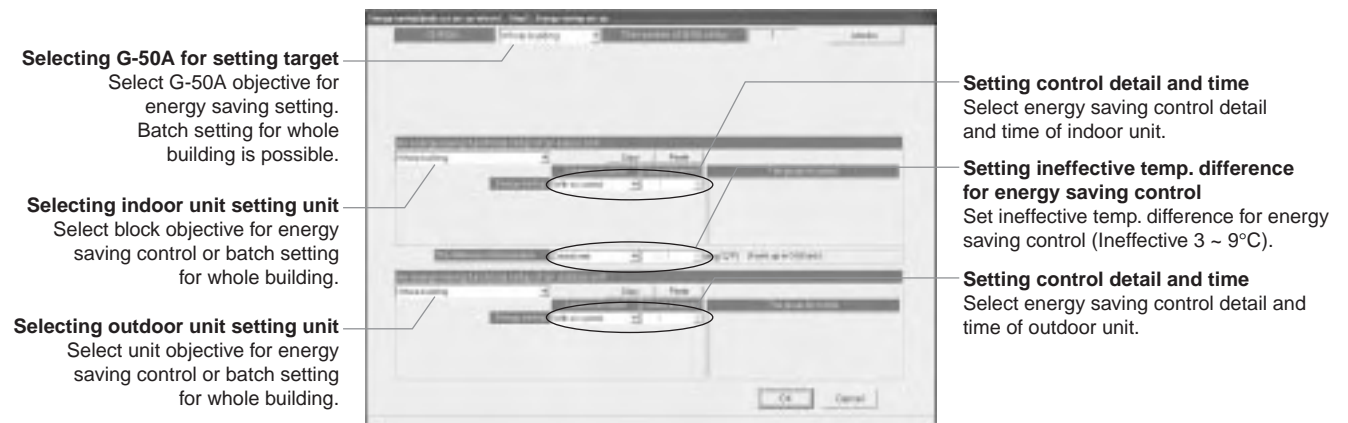


Figure 9-2 TG-2000A energy saving control setting screen

<sup>1</sup> The control time may be overlapped depending on the group numbers inside the block and control time.

<sup>2</sup> Energy saving control is applied at the levels 1 ~ 4 regardless of the temperature difference.

<sup>3</sup> Controllable only for City Multi air conditioners. (Do not set to Multi-S.)

### 9.2.1 Energy saving control for indoor unit

For the energy saving control for the indoor unit, select the time portion to be applied to the energy saving control items listed in Table 9-2 from 0/3/6/9/15/30 minutes. By dividing those items by the group numbers in the operation block evenly, the energy saving control is applied to the groups starting from that with smaller group number in order. When “30 minutes stopping” is being applied to save energy, ON/OFF operation can not be performed by any controller.

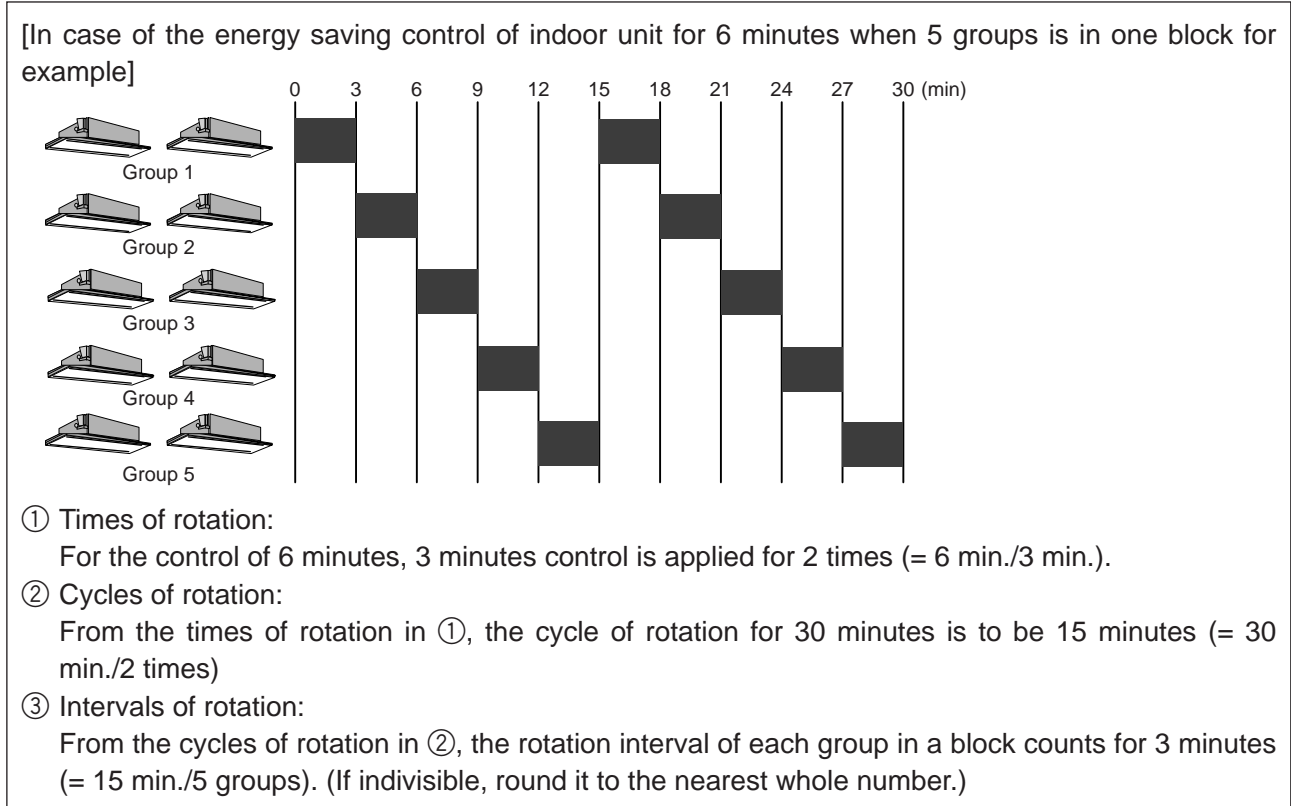


Figure 9-3 Example of indoor unit energy saving control

#### Notice

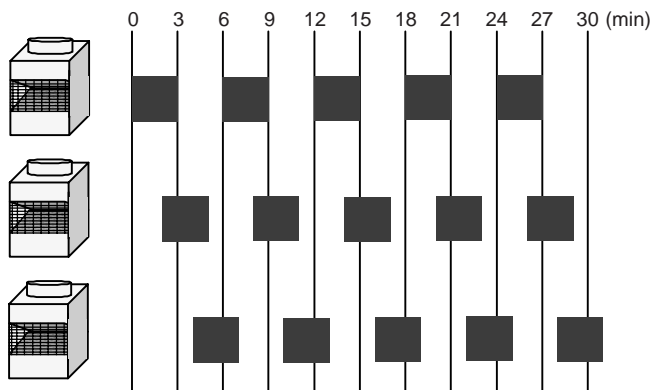
- In the case of the block setting stepped across from TG-2000A to G-50A, only the unit controlled by the G-50A is set as the block on the G-50A.  
Here each G-50A applies rotation control to each group inside the block.
- When the fan/thermostat OFF control is selected, Free Plan models and A-control Slim models are provided with the thermostat OFF (capacity saving control) command, while K-control models with the fan mode switching.  
As the mode display of the local remote controller does not change, energy saving control can be performed without the perception of occupants.
- Setting of the energy saving ineffective temperature difference allows not applying the level 0 control to the block with the temperature difference between inlet and set temperature exceeding the set value.
- Operation control from Web browser or TG-2000A provides the screen display of [ON] for 1 minute maximum but not allowing to run the air conditioner.

## 9.2.2 Energy saving control for outdoor unit

For the energy saving control for the outdoor unit, select a time portion to be applied to the energy saving control items listed in Table 9-2 from 0/3/6/9/15/30 minutes. By dividing those items by the group numbers in the operation block evenly, the energy saving control is applied.<sup>1</sup>

The rotated operation is applied to the outdoor units starting from that with smaller address.

[In case of the energy saving control of 3 outdoor units for 15 minutes for example]



① Times of rotation:

For the control of 15 minutes, 3 minutes control is applied for 5 times (= 15 min./3 min.).

② Cycles of rotation:

From the times of rotation in ①, the cycle of rotation for 30 minutes is to be 6 minutes (= 30 min./5 times)

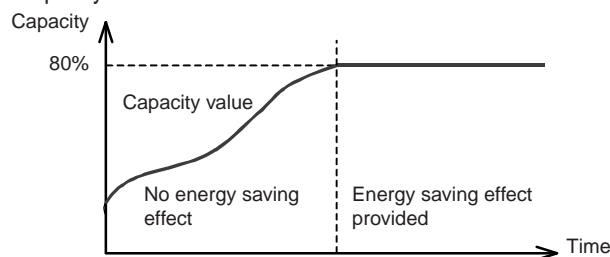
③ Intervals of rotation:

From the cycles of rotation in ②, the rotation interval of each group in a block counts for 2 minutes (= 6 min./3 groups).

Figure 9-4 Example of outdoor unit energy saving control

- The capacity saving control is a control to suppress the maximum value of the outdoor unit. Therefore, no energy saving effect can be obtained under the setting to 80% if the operation is conducted with the capacity below 80%.

**CAUTION**



- In the case of the energy saving control, capacity saving control is applied to the outdoor unit individually. For this reason, be careful that the control will be applied to the indoor unit being not targeted if the group setting is made by stepping over the refrigerant system.
- In the case of capacity saving control to the outdoor unit, control for a short time may not provide a normal effect. Control for 30 or 15 minutes is recommended.
- For Multi S, set to "No control" so that the capacity saving control will not be applied to the outdoor units.

## 9.2.3 Required materials

Table 9-3 shows the materials required for energy saving control.

Table 9-3 Required materials

Name (Model name)	Maker	Remarks
PC for TG-2000A	PC/AT convertible unit	Confirmed operation of IBM, DELL, Hp Compaq. For PC spec., refer to Table 6-4.
Integrated centralized control software (TG-2000A)	Mitsubishi Electric	Use Ver.4.1 or later.
Centralized controller (G-50A)	Mitsubishi Electric	Use Ver.2.5 or later.
Energy saving control license	Mitsubishi Electric	Requires for each G-50A.
Web monitor license	Mitsubishi Electric	Requires for each G-50A.

<sup>1</sup> The control time may be overlapped depending on the group numbers in the block and control time.



# 9.3 Peak Cut Control

## 9.3.1 Power consumption monitoring method

### (1) Function

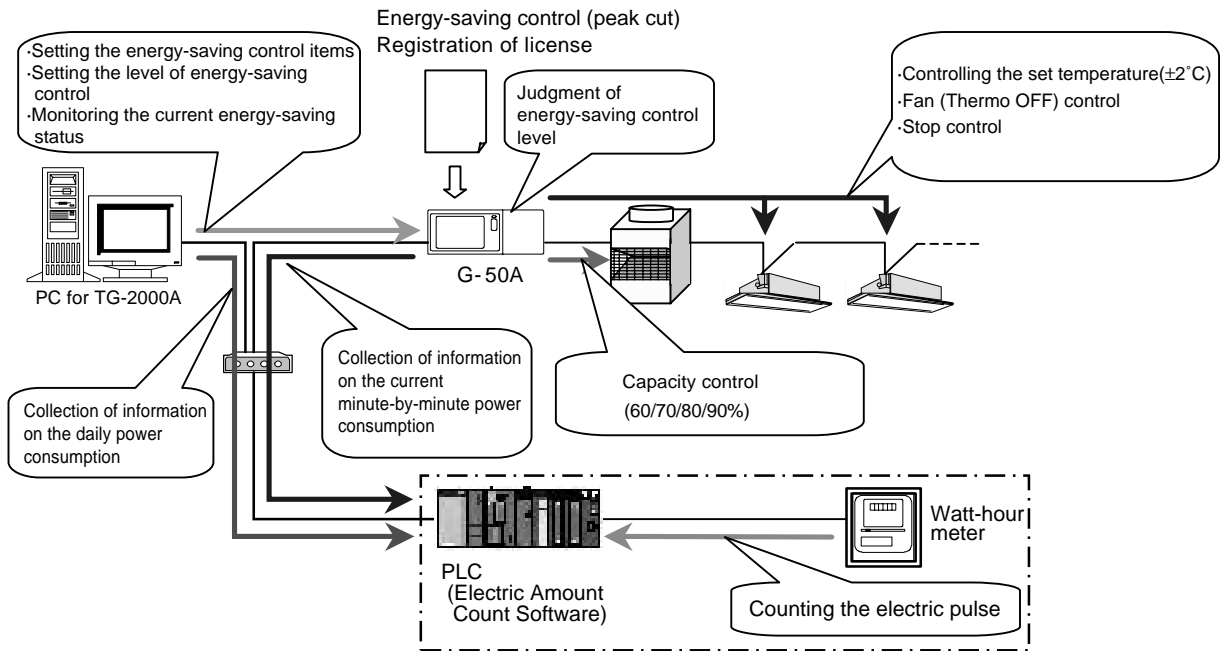


Figure 9-5 Configuration of the system using the power consumption monitoring method

Connecting the watt-hour meter (PLC) allows conducting the energy saving control of Table 9-2 divided into 5 levels (Level 0 ~ Level 4) by estimating the power consumption for 30 minutes. Meantime, the control level is judged with an interval of 1 minute, and the control of higher level is applied in accordance with the measured power consumption for the past 30 minutes and estimated value.

[How to obtain the estimated value]

$$\text{Estimated value (kW)} = \text{Power consumption in the past 5 minutes (kWh)} \times 6 (\text{Power consumption for 30 minutes}) \times 2 (\text{kWh} \rightarrow \text{kW} <30 \text{ minutes}> \text{ converted}) \text{ ---- } \textcircled{1}$$

In Figure 9-5 for example, it is assumed that the control at the energy saving level 1 is being conducted in accordance with [Power consumption for the past 30 minutes].

In this occasion, the estimated value after 30 minutes is calculated from [Power consumption for the past 5 minutes] by Equation ①, it reaches the region of energy saving level 2. In this case, the energy saving control set at the energy saving control level 2 will be carried out.

By making the energy saving ineffective temperature difference effective, under the control of Level 0, when the temperature difference between the set and inlet temperature is exceeding 3°C~9°C (able to set in a unit of 1°C), It is possible not to allow conducting the energy saving control set at Level 0 in consideration of comfort.

(The control set at Level 1 ~ Level 4 will be conducted regardless of the temperature difference.)



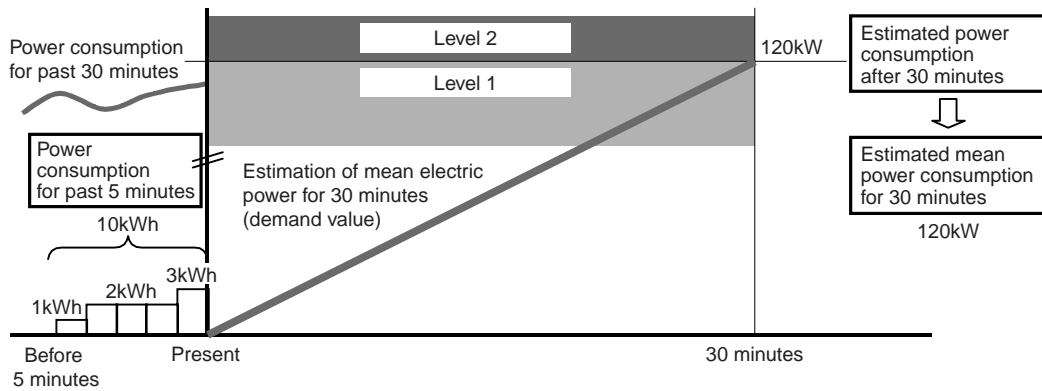


Figure 9-6 Level estimation

By setting the target demand value and [Stopping control for 30 minutes] of the energy saving control item, the peak cut control can be practiced as an application of the level control above.

## (2) Required materials

The materials required for the peak cut control are shown in Table 9-4.

Table 9-4 Required materials for peak cut control

Name (Model name)	Maker	Remarks
PC for TG-2000A	PC/AT convertible unit	Confirmed operation of IBM, DELL, Hp Compaq. For PC spec., refer to Table 6-4.
Integrated centralized controlsoftware (TG-2000A)	Mitsubishi Electric	Use Ver.4.1 or later.
Centralized controller (G-50A)	Mitsubishi Electric	Use Ver.2.5 or later.
Peak cut control license	Mitsubishi Electric	Requires for each G-50A.
Web monitor license	Mitsubishi Electric	Requires for each G-50A.
PLC	Mitsubishi Electric	Usable commonly with PLC for measuring instrument charging.
Pulse counting software (PAC-YG11CDA, etc.)	Mitsubishi Electric	For detail, refer to Table 8-4. Use Ver.1.01 or later for peak cut control.

**Selecting target G-50A for setting**  
Select G-50A objective for peak cut setting. Batch setting for whole building is possible.

**Setting levels**  
Set the electric power to start peak cut control. (Levels 1 ~ 4)

**Selecting the setting unit of indoor unit**  
Select indoor unit objective for peak cut control or select whole building collectively.

**Selecting the setting unit of outdoor unit**  
Select outdoor unit objective for peak cut control or select whole building collectively.

**Setting control detail and time**  
Select the detail and time of indoor unit peak cut control.

**Setting energy saving ineffective temperature difference**  
Set the detail and time of energy saving ineffective temperature difference.

**Setting the detail and time of control**  
Select the detail and time of outdoor unit peak cut control at each level

Figure 9-7 TG-2000A peak cut control setting screen

**CAUTION** ● For Multi S, set to "No control" to prevent conducting the capacity saving control.

### 9.3.2 Peak Cut Control by Demand Controller

#### (1) Function

A peak cut control can be performed by the use of demand level signals from the demand controller. Demand level signals from the demand controller are input with the use of PLC (PLC software for demand input).

Up to 4 levels of demand level signals from the demand controller can be input, and 5 levels (level 0 – level4) of energy-saving control can be set as shown in figure 9-2.

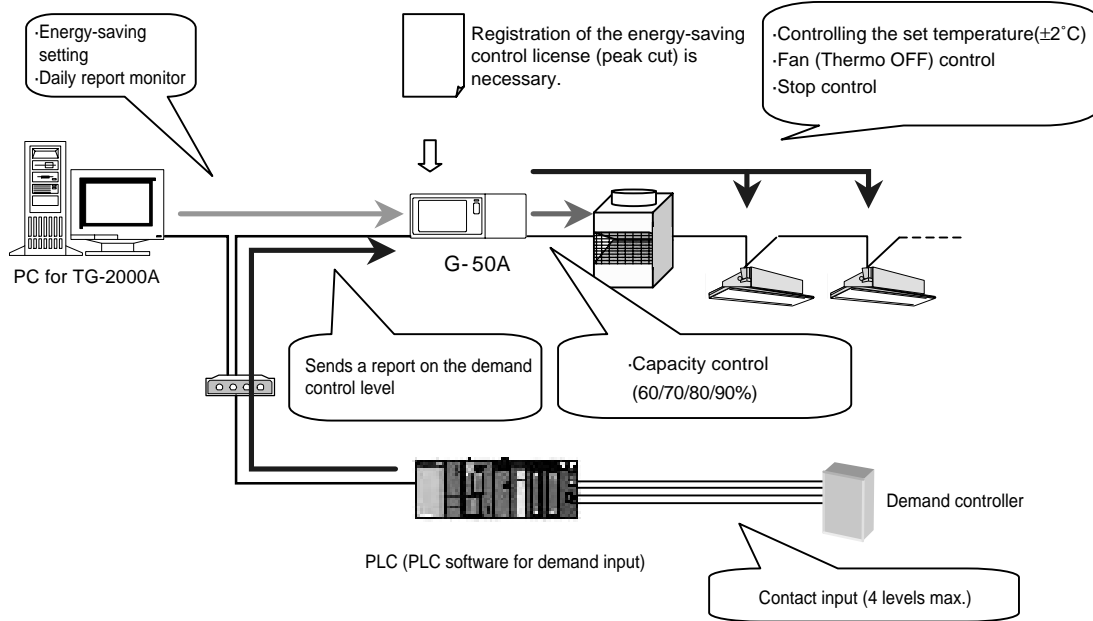


Figure 9-8 Configuration of a system with a demand controller

Control with the use of demand level signals is performed as the following.

Refer to section 4.3 for information on connecting the controller to the DI board on the PLC.

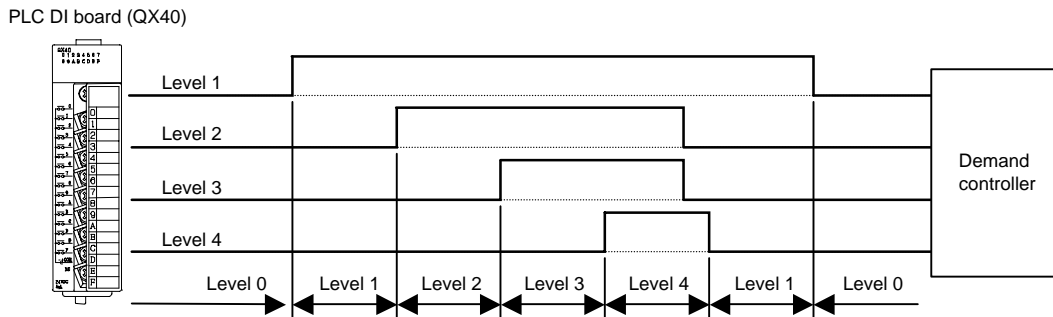


Figure 9-9 Demand Level Operation

#### CAUTION

- Because the energy-saving control on G-50A is performed once per minute, the change does not take place immediately when the level of demand controller is changed.
- Lower the judgment value setting for the demand controller's control level as necessary.
- While G-50A or the equipment connected via LAN are experiencing problems or during a power outage, energy-saving control will not function.
- When PLC is experiencing a problem, the last demand level before the start of the problem will be maintained.

## (2) Necessary Materials

Table 9-5 shows a list of necessary materials to run a demand controller operation.

Table 9-5 Necessary materials to run a demand controller operation



Materials (model)	Make	Remarks
Computer for TG-2000A	PC/AT compatible	Tested and confirmed to run on IBM, DELL, and COMPAQ Refer to Table 6-4 for computer specifications.
Integrated centralized controlsoftware (TG-2000A)	Mitsubishi Electric Corp.	Version 4.60 or later
Centralized controller (G-50A)	Mitsubishi Electric Corp.	Version 2.6 or later
Web monitor licence	Mitsubishi Electric Corp.	Required for every G-50A unit
Energy-saving control (peak cut) license	Mitsubishi Electric Corp.	Required for every G-50A unit
Sequencer	Mitsubishi Electric Corp.	Refer to Table 4-12 for sequencer (PLC) specification
PLC software for demand input (PAC-YG41CDA etc.)	Mitsubishi Electric Corp.	Refer to Table 4-11 for details.

# 9.4 Energy Saving Control Status - History Monitor

## 9.3.1 Current energy saving control Status

You can confirm whether or not an air-conditioning group is under energy saving control. If energy saving control is on, operation status icons shown below will be indicated on the display by the web browser or integrated software.

Table 9-5 Energy saving control icons

	Set temperature control or fan control is on. * In case of a pre-scheduled operation or an interlocked unit connection, those icons will also be displayed.
	Stopping control is on. * In case of a pre-scheduled operation or an interlocked unit connection, those icons will also be displayed.

### Notice

- When status is monitored, only the air conditioning group under energy saving control will have icons displayed as shown in the Table 9-5.
- Power saving control of outdoor units will not make the energy saving symbol displayed with air conditioning group icon, since it is unknown whether the outdoor unit has energy saving operation at that point in time.
- During level 0 control, if a difference between the target temperature and air intake temperature is ineffective for energy saving, energy saving will not be executed and there will not be an energy saving control icon on the display.

## 9.3.2 Peak cut status history

From the menu bar in the TG-2000A control screen, select [tool]-[peak cut data] and you will be able to output peak cut status history daily report and monthly report as a CSV file.<sup>1</sup>

The daily and monthly report files will automatically be stored in the automatic trend output folder<sup>2</sup> for two years.

### CAUTION

- Daily and monthly reports  
<Automatic output file>  
The automatic output file is automatically created daily (or monthly) as TG-2000A gathers information from G-50A and PLC. Therefore it is not created if TG-2000A is finished.
- <Manual output file>  
You can manually output each file from the TG-2000A tool bar. Monthly data will be created from TG-2000A database while daily data for the day, the day before and two days before will be collected from G-50A.  
(The data earlier than that will be created from TG-2000A database.)

### (1) Peak cut status history (daily report)

Control level at every one minute and power consumption data by the unit of 30 minutes can be output as a CSV file. The daily report can be selected and output up to 31 days (Maximum) retroactively.

### (2) Peak cut status history (monthly report)

Power consumption data per day can be output as a CSV file.

The monthly report can be selected and output for the past 62 days (Maximum) retroactively.

<sup>1</sup> When TG-2000A is stopped or unable to communicate, data may not be obtained due to the lack of monitor collection.

<sup>2</sup> The automatic trend output folder can be set freely. For detail, refer to "14.2 Trend data output."

### (3) Creation of daily report/monthly report trend graphs

You can turn a CSV file (trend graph) into a graph using “Trend graph Idisplay tool” that comes with TG-2000A. Refer to the Item 14.2 for details.

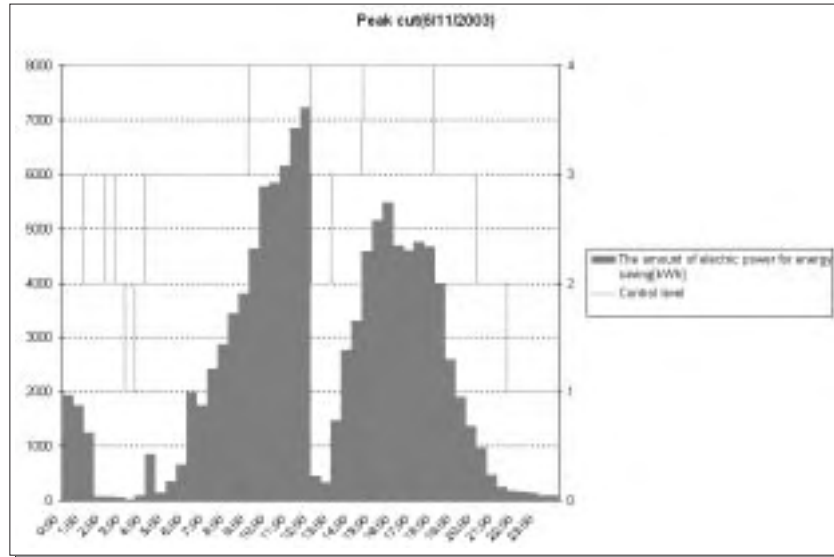


Figure 9-7 Peak cut status history daily report example

# 9.5 Peak Cut Control: Example

## 9.5.1 A room with multiple air conditioning groups

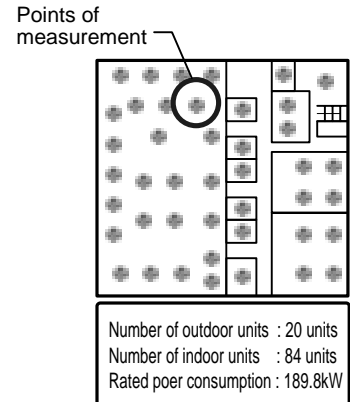
In the following graphs, the effects of different types of peak cut control and the changes in temperature that are observed in a room with multiple air conditioning units (air conditioning units) are shown.

With a room with multiple air-conditioning unit groups, energy-saving control will not be performed on all units simultaneously; therefore, even with 6-minute-thermo-off control, the temperature rise is kept around 2°C.

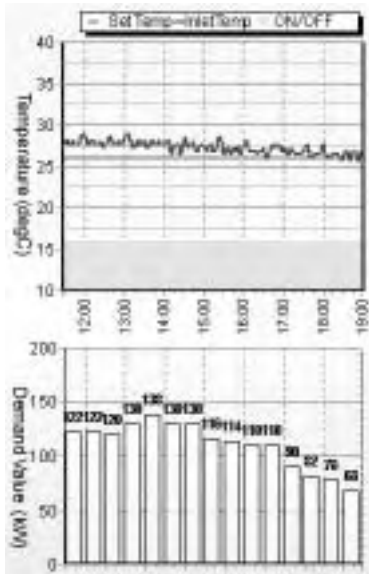
\* The graphs below show an example of the peak cut control. The actual effects of peak cut control and temperature change will vary in each situation.

\* In the example below, the amount of energy saved is calculated by assuming that the average power consumption before and after the energy-saving time zone equals the amount of energy consumption without a peak cut control.

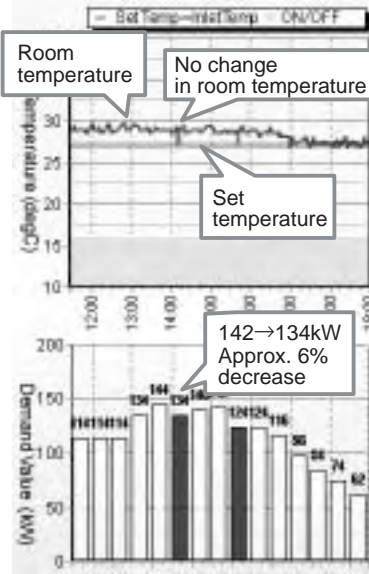
For example, in the case of 3-minutes thermo OFF, the amount of power that the unit would consume without the energy-saving control is calculated as  $(140 + 130) / 2 = 135\text{kW}$ .



No energy-saving control

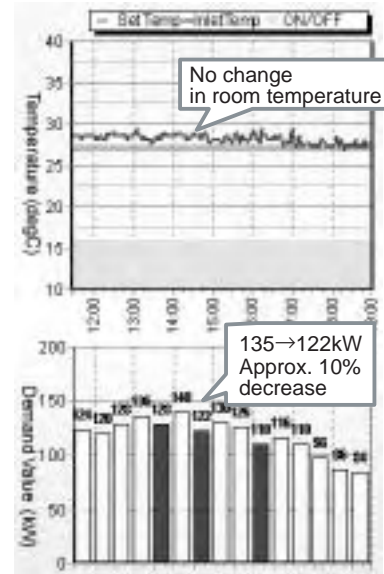


3-minutes ± 2°C



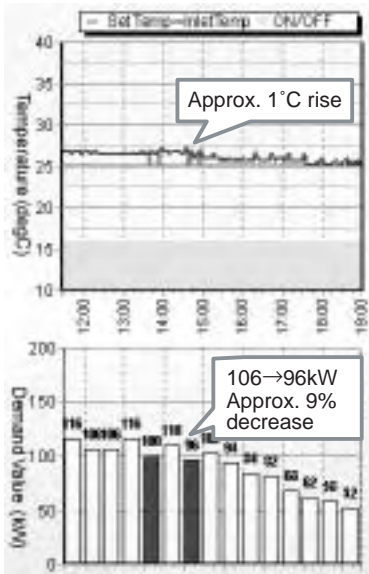
Energy : 14:00 ~ 14:30  
-saving time zones : 15:30 ~ 16:00

3-minutes thermo OFF



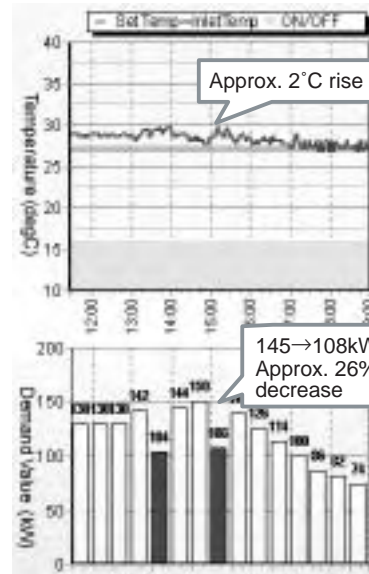
Energy : 13:30 ~ 14:00  
-saving time zones : 14:30 ~ 15:00  
16:00 ~ 16:30

6-minutes ± 2°C



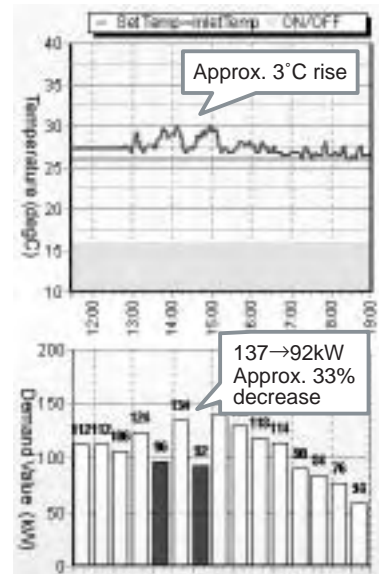
Energy : 13:30 ~ 14:00  
-saving time zones : 14:30 ~ 15:00

6-minutes thermo OFF



Energy : 13:30 ~ 14:00  
-saving time zones : 15:00 ~ 15:30

9-minutes thermo OFF

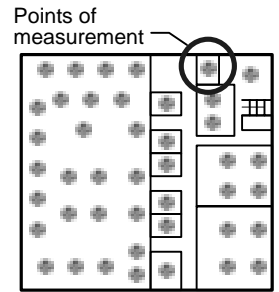


Energy : 13:30 ~ 14:00  
-saving time zones : 14:30 ~ 15:00

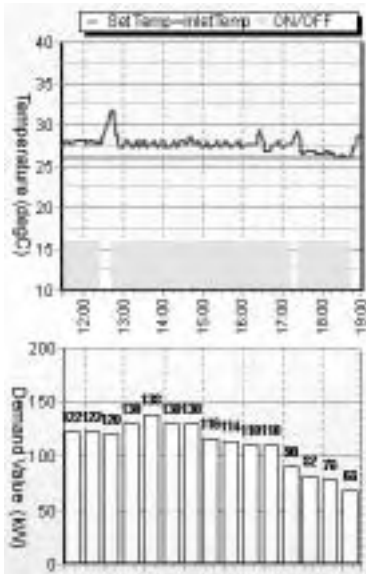
## 9.5.2 Room with a single air conditioning group

In the following graphs, the effects of different types of peak cut control and the changes in room temperature that are observed in a room with a single air conditioning unit (air conditioning group) are shown.

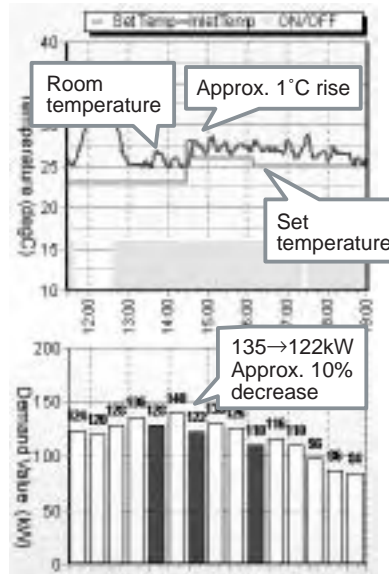
With a single air conditioning system, the effect on the room temperature is greater when a peak cut control is performed, and the level of comfort will drop more sharply compared to a room with multiple air conditioning groups running under the same type of control.



No energy-saving control

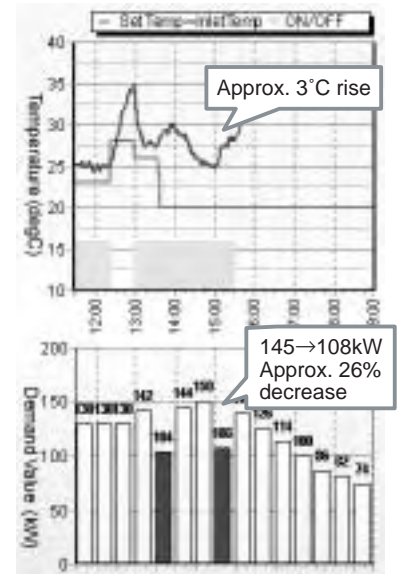


3-minutes thermo OFF



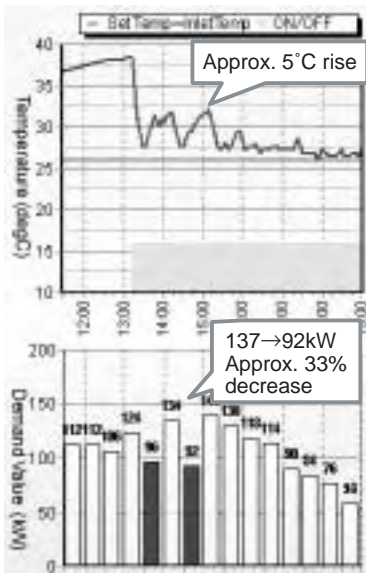
Energy : 13:30 ~ 14:00  
-saving : 14:30 ~ 15:00  
time zones : 16:00 ~ 16:30

6-minutes thermo OFF



Energy : 13:30 ~ 14:00  
-saving : 15:00 ~ 15:30  
time zones

9-minutes thermo OFF



Energy : 13:30 ~ 14:00  
-saving : 14:30 ~ 15:00  
time zones



# 9.6 Steps in setting up an energy-saving control system

The following are the steps to be taken to execute an energy-saving control plan.

## (1) Deciding on the means of energy-saving control.

Decision is made regarding the means of energy-saving control.

Energy-saving control regardless of power consumption – Power-saving control

Energy-saving control in proportion to power consumption – Peak cut control  
(Power consumption monitoring method)

Energy-saving control with the use of demand controller – Peak cut control  
(demand controller method)

## (2) Necessary Materials.

Prepare the materials necessary for a given energy-saving control system.

## (3) Deciding on the level of energy-saving control

Five levels of control to perform the peak cut control will need to be set.

Take into consideration the current contract demand and target contract demand, and determine the highest level (level 4). Then determine each of the remaining levels.

[Example] In the case where target contract demand is 100 kW.

Level 4:	85 kW	~	
Level 3:	75 kW	~	85 kW
Level 2:	65 kW	~	75 kW
Level 1:	55 kW	~	65 kW
Level 0:		~	55 kW

Determine the value for each rectangle space on the left that corresponds to each of the 4 levels.

The values need not be set for a system running on the demand controller method or E-Energy method, because control is performed by means of the level signals they use.

## (4) Select the energy saving control method.

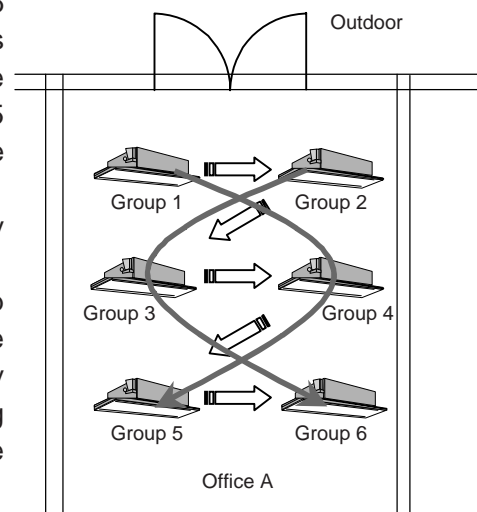
As an energy saving control method, you choose either [energy saving control using indoor units] or [energy saving control using outdoor units], or both.

[Example] Use both indoor unit energy saving control and outdoor unit energy saving control.

## (5) Confirm the energy saving area.

The energy saving control of indoor units is done through a rotation control of the group operation based on the unit of operation block. The energy saving control of outdoor units is done by rotating the operation of the outdoor unit in numerical order of the address. The control order is sequenced from a smaller number given to the group. First, you confirm the order of control within the operation block.

[Example] In the figure shown on the right, Group 1 to Group 6 belong to the same operation block (Office A). In this case, Group 1 and Group 2 on the window side will be controlled consecutively. Compared with the Group 5 and Group 6 side of the room, the temperature in the window side goes up temporarily (in summer). By rearranging the groups you can provide energy saving control without too much sacrificing comfort. In this case, Group 4 should become Group 2, Group 5 should become Group 3, Group 2 should become Group 4, and Group 3 should become Group 5. By doing so, you can avoid two window side units having energy saving control at the same time and improve the comfort level.



## (6) Control settings

Make appropriate control settings for the control block and for each outdoor unit. To run an energy-saving control on both indoor and outdoor units at the same level, make a setting for each unit.

[Example] In the case where target contract demand is 100 kW.

Level	OfficeA	Outdoor unit 51
Level 4: 85 kW ~	30 minutes Stop	30 minutes Capacity saving 60%
Level 3: 75 kW ~ 85 kW	6 minutes Fan control	30 minutes Capacity saving 70%
Level 2: 65 kW ~ 75 kW	3 minutes Fan control	30 minutes Capacity saving 80%
Level 1: 55 kW ~ 65 kW	3 minutes Fan control	30 minutes Capacity saving 80%
Level 0: 0 kW ~ 55 kW	3 minutes Temperature control	0 minutes N/A

Advantages and disadvantages of various types of control.

Items		Advantages	Disadvantages
Indoor units	Temperature control (Set temperature $\pm 2^{\circ}\text{C}$ )	·Although not as energy-saving as other types of control, it is capable of maintaining comfortableness in the room.	·Not very energy-saving when room temperature is high (When the set temperature is $23^{\circ}\text{C}$ and the room temperature is $29^{\circ}\text{C}$ , no effects of energy-saving control can be expected when the set temperature is changed from $23^{\circ}\text{C}$ to $25^{\circ}\text{C}$ .) ·The changes in the set temperature are indicated on the remote controller, so the users will know if the unit is running an energy-saving operation.
	Fan control (Thermo OFF)	·The fact that the unit is running an energy-saving operation does not show on the remote controller ; thus, it can be kept away from the users. <sup>1</sup> ·Energy saving effect can surely be obtained.	·Although solidly energy-saving, the level of comfortableness in the room may be compromised.
	Stop control	·Energy saving effect can surely be obtained. <sup>2</sup>	·Although solidly energy-saving, the level of comfortableness in the room may be compromised. ·Because the unit makes periodical stops, it tends to be mistaken that the unit is having problems.
Outdoor units	Capacity saving	·The fact that the unit is running an energy-saving operation does not show on the remote controller ; thus, it can be kept away from the users.	·When running below the capacity saving value set by the outdoor unit, energy-saving effect cannot be expected.



### CAUTION

- For control level four, choose a setting that will certainly lower the power consumption.  
Example: Stop, Thermo OFF

#### Settings for a large room, shared area, and small room

Not all of the air conditioning units installed in a large room will be controlled by the energy-saving control at the same time because they will be on a rotation. Therefore, make the energy-saving settings relatively high. The same is true for such places as hallway and elevator halls where they are not occupied with people at all times.

For a small room with only one group of air conditioners, keep the energy-saving setting small to minimize the effect of energy-saving control on the room temperature.

#### <Settings for a large room or shared area : Example>

	Indoor unit control setting		Outdoor unit control setting		
Level 4	Stop control	30 minutes	60%	30 minutes	← All air conditioners stopped
Level 3	Fan control	6 minutes	70%	30 minutes	
Level 2	Fan control	3 minutes	80%	30 minutes	
Level 1	Fan control	3 minutes	80%	30 minutes	
Level 0	No setting	-	No setting	-	← May be set

#### <Settings for a small room : Example>

	Indoor unit control setting		Outdoor unit control setting		
Level 4	Stop control	30 minutes	60%	30 minutes	← All air conditioners stopped
Level 3	Fan control	3 minutes	70%	30 minutes	
Level 2	No setting	-	80%	30 minutes	
Level 1	No setting	-	80%	30 minutes	
Level 0	No setting	-	No setting	-	← May be set

<sup>1</sup> When running a fan control, the operation mode on older models (K control units etc.) except the free-plan units will be switched to "Fan" and the remote controller will indicate "Fan." For the free-plan models, it will go into thermo OFF (breeze) and there is no change on the remote controller display.

<sup>2</sup> If [30 minutes][Stop] are selected, operation from the remote controller will be prohibited while the demand level is maintained resulting in solid peak cut.

# 10. Step 7: Selection of Measuring Instruments

## (1) Measuring instruments

Use measuring instruments with recommended pulse signals shown in the Table 10-1 below. We also recommend using a watt-hour meter shown in the Table 10-2 below.

Table 10-1 Recommended pulse specification

Model name	Description
Output pulse type	Semi-conductor relay type
Output pulse width	100 ~ 300ms (100ms or above) Select a measuring instrument which outputs non-voltage a-contact pulse per pulse output unit.
Pulse unit	Watt-hour meter: 0.1kWh/pulse, 1kWh/pulse is recommended. Water meter : m <sup>3</sup> /pulse Gas meter : m <sup>3</sup> /pulse Calorimeter : MJ/pulse  * Except for the watt-hour meter, select the measuring instrument type with the appropriate pulse unit.

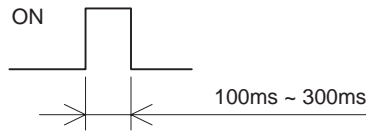


Table 10-2 Recommended watt-hour meter

Model name	Description
Maker	-
Model name	As there is no specific recommended model name, use the measuring instrument, whose specification is shown in the Table 10-1.
Others	Up to 32 units of Watt-hour meter can be used per 1 unit of PLC.

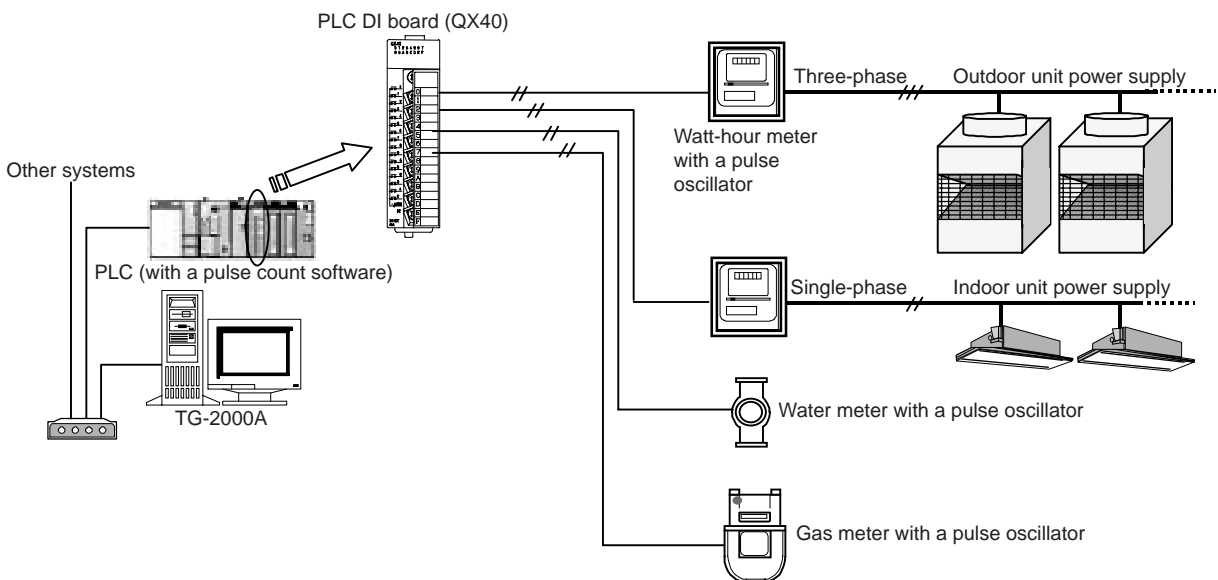


Figure 10-1 Measuring instrument wiring diagram

### CAUTION

- Make sure pulse unit is set in the measuring instruments. If not, consumption will not be correctly measured, and charging functions and peak cut control will not work correctly.
- Power and gas consumption is counted by pulse. We will take no responsibility for measurement results since they depend on performance and accuracy of measuring instruments.

(2) Power consumption PC direct reading system (RS-485WHM)

Please use the RS-485 watt-hour meter shown in Table 10-3.

Table 10-3 Model name of RS-485 watt-hour meter specified

Model name	Detail			
Maker name	Northern Design (Electronics) Ltd.	Elcomponent Limited	CIRCUTOR	Elcontrol energy
Model name	POWER RAIL 323 + OPTION Module	AEM31D/485	CVM-BC-ITF-RS485-C2	ED39din 485
Remarks	Only supports RS-485 output of the specified model and manufacturer			

<< Please enter the maker name, model name and remarks of RS-485 watt-hour meter described on WT03901X03.>>

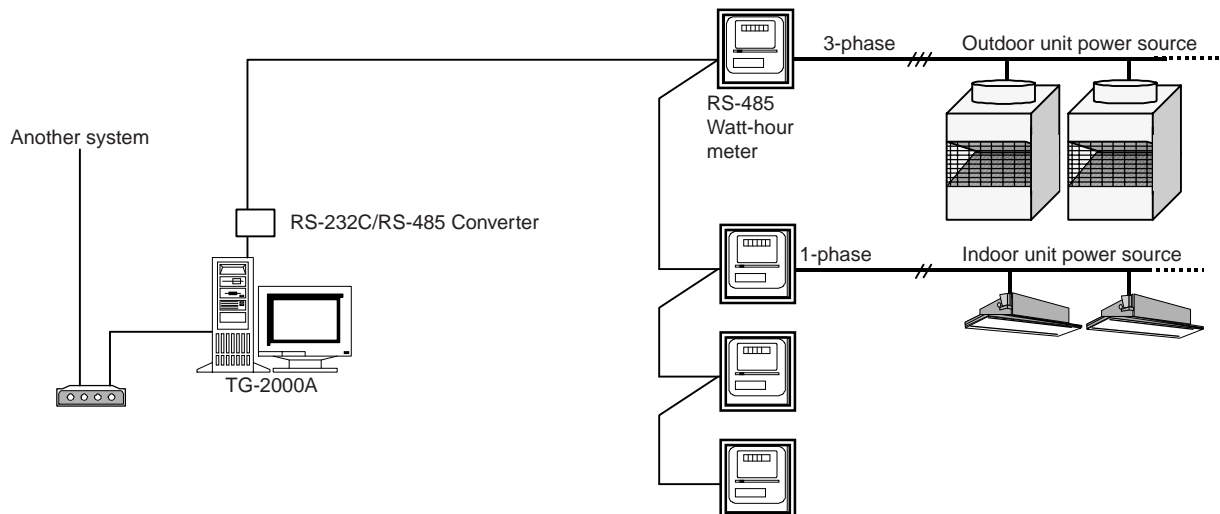


Figure 10-2 Outline wiring of measuring instruments

**CAUTION**

- Make sure to set the pulse unit of watt-hour meters. Otherwise, the consumption can not be measured correctly thus hindering the normal charging function.
- The power consumption is taken as an accumulated integrating value, and the performance and accuracy are depending on that of the watt-hour meter or CT. Therefore, we are not liable in this regard.

# 11. Step 8: General Purpose Equipment Control

TG-2000A can control and monitor system equipment that are connected to the PLC and indoor unit free contact<sup>1</sup>. The general-purpose control function enables the operation of the air conditioners by interlocking them with other equipment.

By using general-purpose control functions, you can control and monitor other manufacturer's air conditioning units, lighting fixtures and other system equipment as well as water level of a water or fire tank with a flooding/low level alarm on the TG-2000A monitor screen. Or the interlocked air conditioners can be stopped by removing the card key.

System equipment is controlled by PLC. "General-purpose control software: PAC-YG21CDA" needs to be installed in PLC. (For PAC-YG21CDA Ver.1 series, no licensing registration needed for G-50A.)

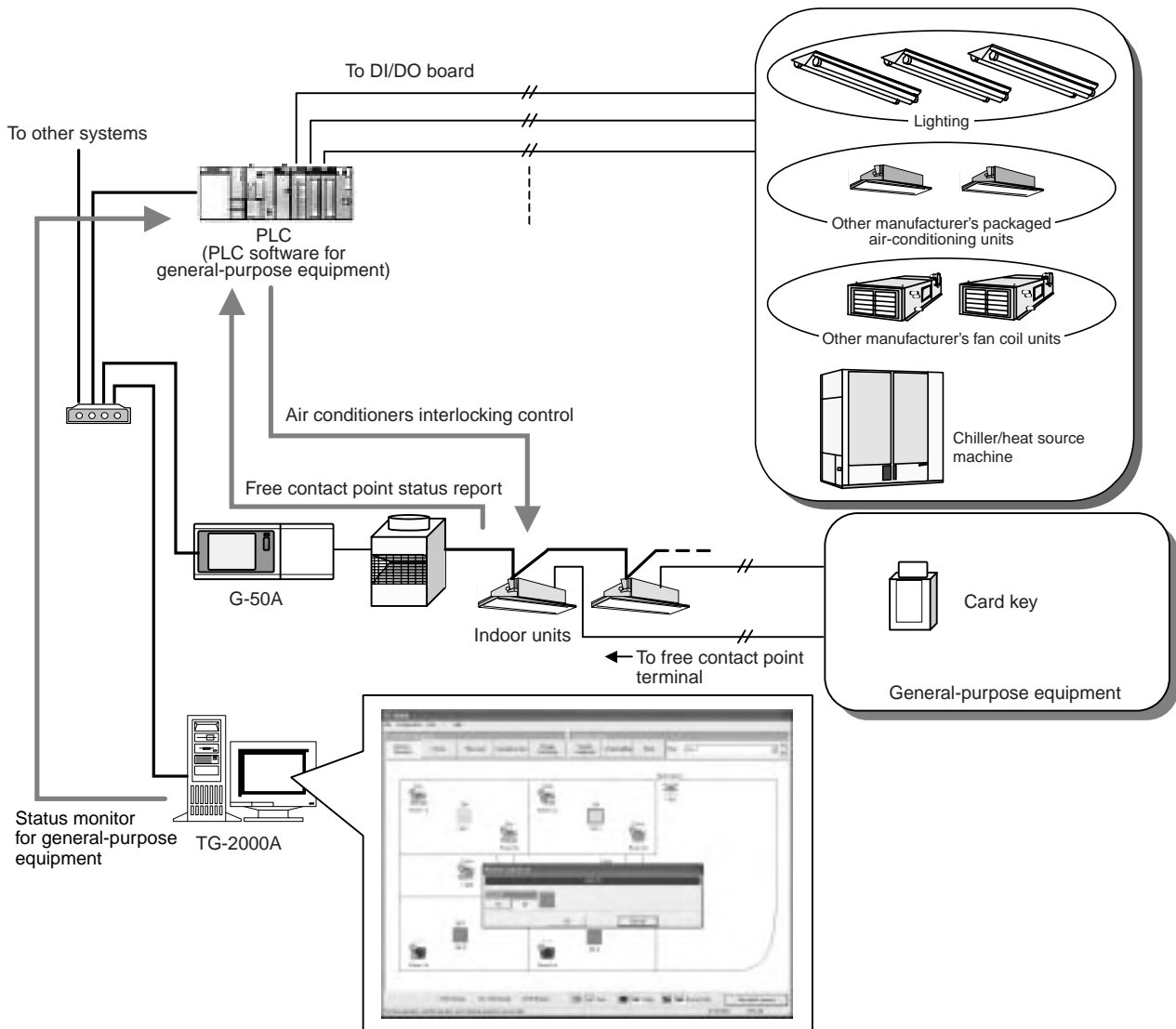


Figure 11-1 Configuration of the general-purpose control system

## CAUTION

- Operation and monitoring of general purpose system equipment cannot be controlled if the PLC or other equipment fails. Take this into consideration, and make sure you provide a circuit for a switch for an emergency stop/start. Do not use it for monitoring the system affecting human life. In case you do, incorporate an alternative safety mechanism.
- Do not use this system for fire prevention or for security purposes. Above all, do not use the system where lives of people are at risk. Use other means of monitoring methods.

<sup>1</sup> Free contact point may be used by R410a compatible indoor units or R407C compatible indoor units (S/W version 33 or later). Check the S/W version of the indoor units with the maintenance tool.

# 11.1 Outline

PLC will be used to control general equipment, along with a DI board (DC input unit) and a DO board (transistor output unit).

One icon will be shown on the TG-2000A monitor screen to represent one system equipment, and you can operate (one shot pulse or level output), monitor the status, and monitor for error (level input).

Therefore, you will be using two terminals on DO board and two terminals on DI board for one system equipment.

For status monitoring, you can choose the name of the status, and for error status, you can choose the name of the error and its icon color.

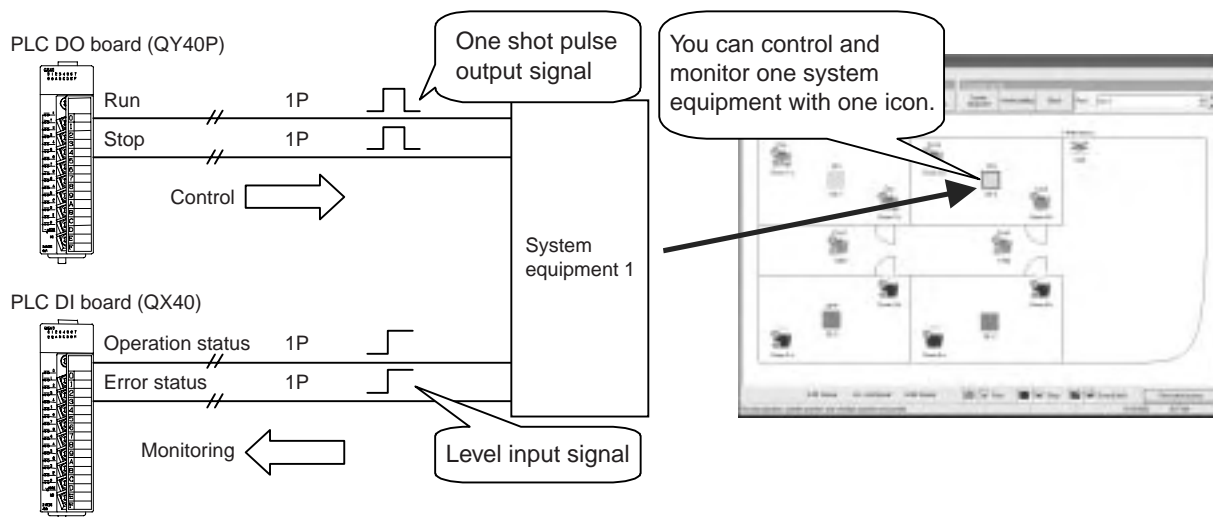


Figure 11-2 General-purpose control outline

## 11.2 System Design Method

System design method for general-purpose control is outlined below.

### 11.2.1 Listing up of general equipment

General equipment needs to be listed up.

Control and monitoring of general equipment will be done through contact control using PLC. Therefore, the equipment to be controlled should have the following signal specifications. TG-2000A can only operate or only monitor the equipment, in that case, unused terminals should remain unconnected.

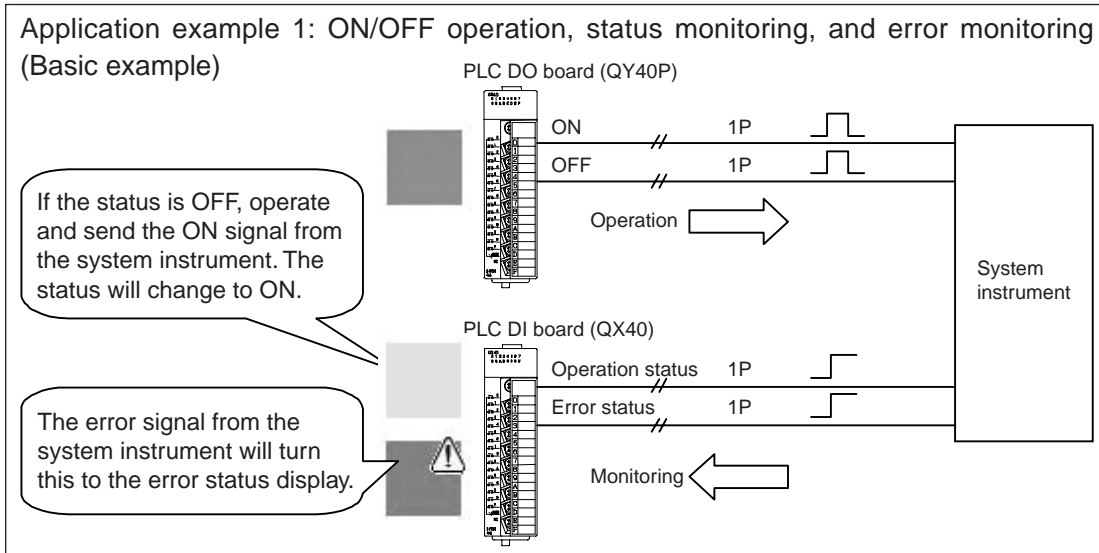
Table 11-1 General-purpose control signal specifications

	Signal specifications	Contact specifications	Terminal assignment/ equipment <sup>1</sup>
Operation	Non-voltage a-contact One shot pulse output	<p>Signal 1 (operate)</p> <p>Signal 2 (stop)</p>	2 terminals
Monitoring	Non-voltage level input	<p>Signal 1</p> <p>Signal 2</p>	2 terminals

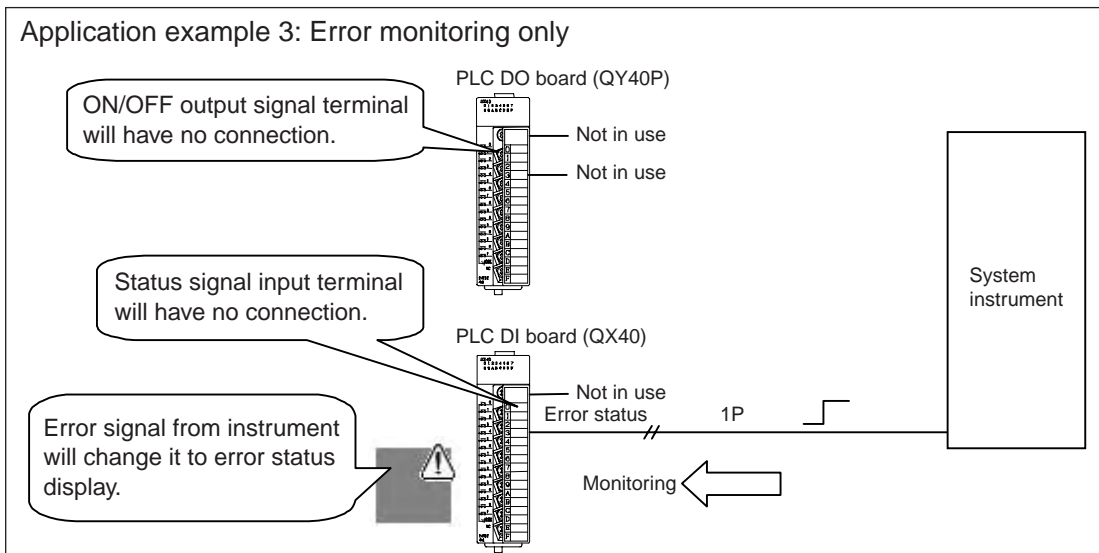
<sup>1</sup> Number of terminals assigned to one system equipment

## 11.2.2 Determine the control items.

After you determine the equipment to be connected, define the control items for each equipment. For instance, whether you want to operate the instrument (ON and OFF) and monitor it, including error monitoring, or just watch for failure (malfunction). For ON and OFF, status output signal from the instrument changing the icon status (color) is the basic<sup>1</sup> mechanism.



\*When the system instrument does not provide the output of operation status, connect to the input of operation status by installing a self-holding circuit.



<sup>1</sup> We recommend that you connect the status signal from the instrument.

If the status signal is not connected (judgment only from the operation), there might be a discrepancy between the instrument operation status and the icons on TG-2000A display.



### 11.2.3 PLC assignment

After you determine the control items of the connected instrument, assign PLC terminals.

PLC for general equipment needs to have one DI board and one DO board mounted regardless of the control items. (There are certain restrictions about the mounting location and others. Refer to 12.3 for details.)

Table 11-3 shows the PLC terminal assignment. Since each terminal in PLC has a pre-determined function, keep the terminal un-connected (open) where the signal is not to be used.

Table 11-2 PLC for general equipment restrictions

Item	Content	Remarks
Number of general equipment that can be connected to one PLC	Up to 8 units (Ver.1) Up to 32 units (Ver.2)	8 (Ver.1) units regardless of the control items 32 (Ver.2) units regardless of the control items
Number of PLC for general equipment that can be connected to TG-2000A	20 units	Number of general-purpose equipment : 160 (Ver.1), 640 (Ver.2)
IP address setting range for PLC for general equipment	192.168.1.171 ~ 192.168.1.190	Recommended setting range is shown.

Table 11-3 PLC for general equipment terminal assignment

Control equipment number	DI/DO board number	Terminal board number	DO board	DI board
General equipment 1	1	1	General equipment 1 ON signal	General equipment 1 operation status signal
	1	2	General equipment 1 OFF signal	General equipment 1 error status signal
General equipment 2	1	3	General equipment 2 ON signal	General equipment 2 operation status signal
	1	4	General equipment 2 OFF signal	General equipment 2 error status signal
General equipment 3	1	5	General equipment 3 ON signal	General equipment 3 operation status signal
	1	6	General equipment 3 OFF signal	General equipment 3 error status signal
General equipment 4	1	7	General equipment 4 ON signal	General equipment 4 operation status signal
	1	8	General equipment 4 OFF signal	General equipment 4 error status signal
General equipment 5	1	9	General equipment 5 ON signal	General equipment 5 operation status signal
	1	10	General equipment 5 OFF signal	General equipment 5 error status signal
General equipment 6	1	11	General equipment 6 ON signal	General equipment 6 operation status signal
	1	12	General equipment 6 OFF signal	General equipment 6 error status signal
General equipment 7	1	13	General equipment 7 ON signal	General equipment 7 operation status signal
	1	14	General equipment 7 OFF signal	General equipment 7 error status signal
General equipment 8	1	15	General equipment 8 ON signal	General equipment 8 operation status signal
	1	16	General equipment 8 OFF signal	General equipment 8 error status signal
⋮	⋮	⋮	⋮	⋮
General equipment 31	4	13	General equipment 31 ON signal	General equipment 31 operation status signal
	4	14	General equipment 31 OFF signal	General equipment 31 error status signal
General equipment 32	4	15	General equipment 31 ON signal	General equipment 32 operation status signal
	4	16	General equipment 32 OFF signal	General equipment 32 error status signal

### 11.2.4 Required materials

Members required for general-purpose control are listed in the Table 9-3.

Table 11-4 General-purpose control required items

Materials (model names)	Maker	Remarks
PC for TG-2000A	PC/AT compatible	Verified the performance of IBM, DELL, and Hp Compaq. Refer to Table 6-4 for the PC specification.
Integrated centralized control software (TG-2000A)	Mitsubishi Electric	Use Ver. 4.6 or later version.
Web monitor license	Mitsubishi Electric	Requires for each G-50A.
PLC	Mitsubishi Electric	Make sure DI board and DO board are mounted.
PLC software for general equipment (PAC-YG21CDA)	Mitsubishi Electric	This software should be installed in PLC. The software is different depending on IP address. IP address needs to be designated. (Standard: 192.168.1.171) Use version 2.0 or later.
"PLC for general equipment" license	Mitsubishi Electric	Required for each interlocked G-50A Not necessary when an interlocking setting on the air conditioner is not made.

## 11.2.5 Setting of TG-2000A

After the assignment of terminals, TG-2000A should be configured. For each general equipment, what to be controlled and monitored should be set up in TG-2000A. Operation/stop schedule<sup>1</sup> for the general equipment can be set on the TG-2000A.

**Selection of PLC No.**  
Select the PLC.

**General equipment button**  
Settings of the general equipment can be made. Menu includes change/copy/paste.

**Selection button**  
Select whether there is a general equipment or not.

**General equipment address**  
General equipment address is indicated.

**Equipment name setting**  
Set up the equipment name. (short name, long name)

**Operation setting**  
Operation/settings of the general equipment will be made.

**Operation display setting**  
Set the operation display of the general equipment.  
 • Whether there is a display or not  
 • Selection of update  
 \* Display text is changeable.

**Number of connected PLC's**  
This shows how many PLC's are connected.

**Number of general equipment**  
This shows how many general units are connected.

**Function display**  
This shows the functions of the configured general equipment.

**Error/alarm status display setting**  
Whether to have an error display for the general equipment will be set and display text will be selected.

This one screen uses two each of DI and DO board terminals on PLC.

Figure 11-3 TG-2000A general equipment registration screen

### Notice

- General equipment name can be maximum 20 characters. (Short name is 8 characters.)
- ON, OFF, error displays are maximum 8 letters.
- [ ' ] (single quotation mark) cannot be used in names and display texts.

<sup>1</sup> Only the general equipment connected to the input-output unit of the PLC can be scheduled on the TG-2000A.

## 11.2.6 System planning for the general equipment to be connected to the free contact point on the indoor unit

### (1) Indoor unit selection and switch setting method

In order to monitor and control general equipment connected to the free contact point on the indoor unit, choose an R410A-compatible indoor unit. 1

In order to make the function of the free contact point effective, set the dipswitch (SW1) as the following while the unit is stopped.

Table 11-5 Indoor unit dipswitch setting to activate the free contact point


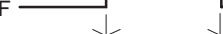





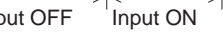


Indoor unit SW1			Function
No.5	No.9	No.10	
ON	ON	ON	Free contact point function is effective(Auto-recovery after power failure)
OFF	ON	ON	Free contact point function is effective(Normal operation (remains stopped after power restoration))

### (2) Verifying the input/output specifications of the general equipment

Confirm the general equipment to be connected to the free contact point on the indoor unit.

Those general equipment to be controlled must be able to handle the following signals because controlling and monitoring of the equipment is performed via the connected indoor unit.

Table 11-6 Specifications for general-purpose control signals (free contact point)

	Signal specifications	Contact point specifications	Connector number
Operation	Relay contact point output	Output signal 1~3 Contact point ON  Contact point OFF  Output OFF  Output ON  Output OFF 	Output 1 : CN52-2 Output 2 : CN52-3 Output 3 : CN52-4
Monitor	Level input with or without voltage	Input signal 1~4 Contact point ON  Contact point OFF  Input OFF  Input ON  Input OFF 	Input 1 : CN32-2 Input 2 : CN32-3 Input 3 : CN51-2 Input 4 : CN52-5

### (3) Specifications for free contact point connection

When using input 1 and 2 (CN32), connect a remote maneuvering adapter (PAC-SE55RA) on the indoor unit, and send input signals to the indoor unit via a relay.

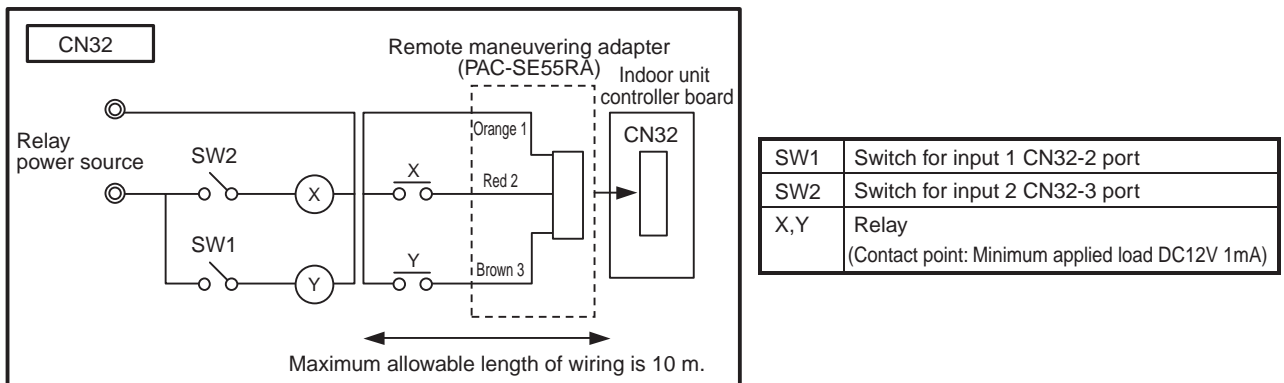


Figure 11-4 Free contact (input 1, 2) connection diagram

<sup>1</sup> . Some of the R407C-compatible indoor units also allow free contact connection. Check the software version of the indoor units with the maintenance tool. Free contact point connection can be made to units that came with the software version of 33 or later.

When using input 3 (CN51), input 4, output 1, output 2, output 3 (CN52), send input signals to the indoor unit or receive output signals via a relay.

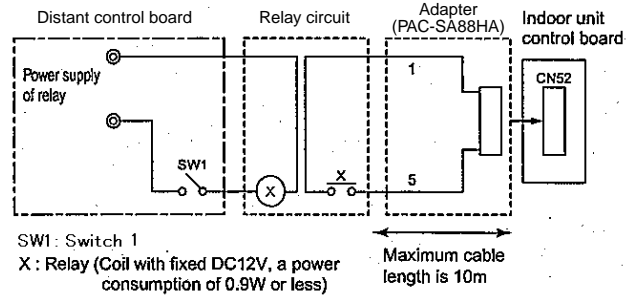
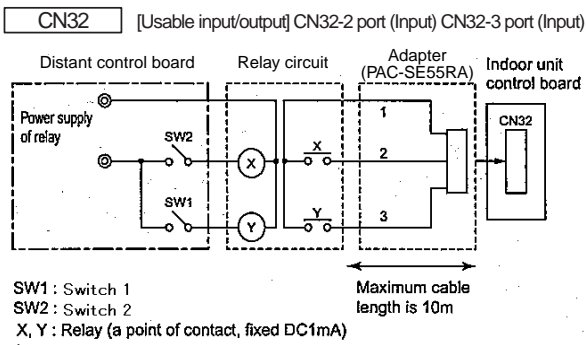
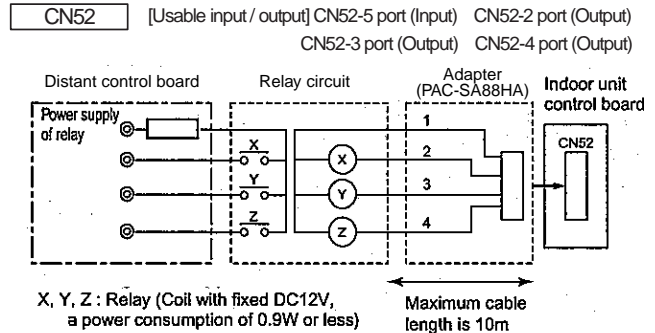
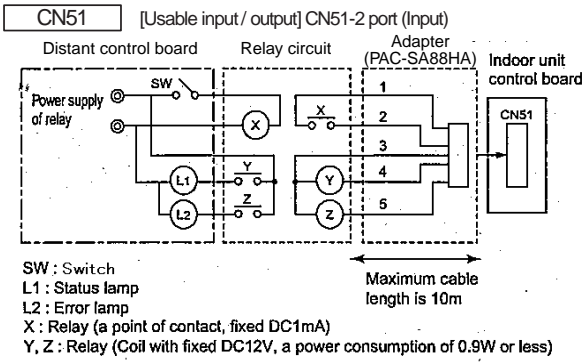


Figure 11-5 Free contact point (input 3, 4, output 1, 2, 3) connection diagram

#### (4) Entering the settings on the TG-2000A

Once an arrangement for the free contact points has been completed, enter the setting on the TG-2000A. For each piece of general-purpose equipment to be controlled, enter information on the TG-2000A regarding what is to be monitored and controlled.

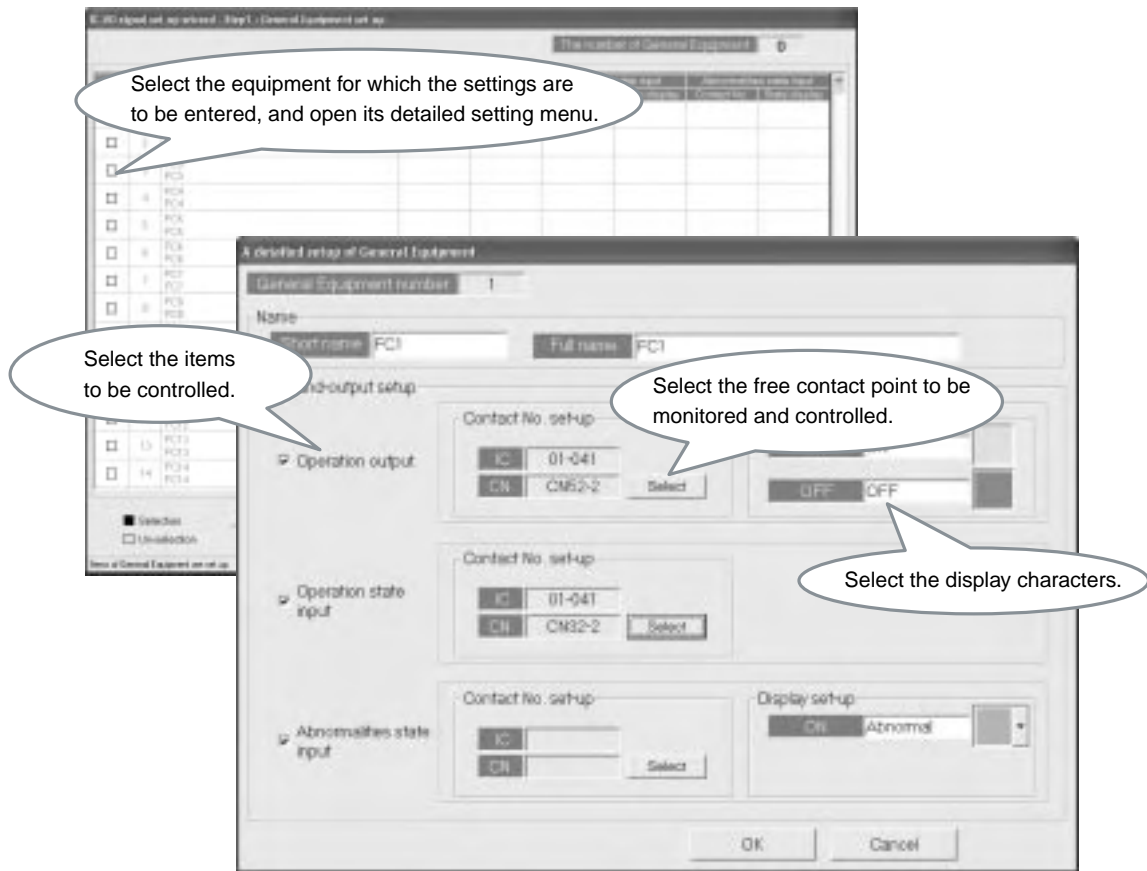


Figure 11-6 Setting menu for the TG-2000A general equipment (free contact)

#### Notes

- Equipment connected to the free contact point cannot be set to run on schedule.
- Up to 20 characters can be used for the name of general equipment (8 for short names).
- Up to 8 characters can be used to indicate “operation”, “stop”, and “error”.
- Single quotation mark cannot be used for the names and other display characters.

## 11.2.7 Interlocking control settings

Use the table setting tool on PLC software for general equipment Ver.2 to register the interlocking setting on the PLC in order to control equipment and air conditioners that are connected to the general equipments.

### (1) Preparation

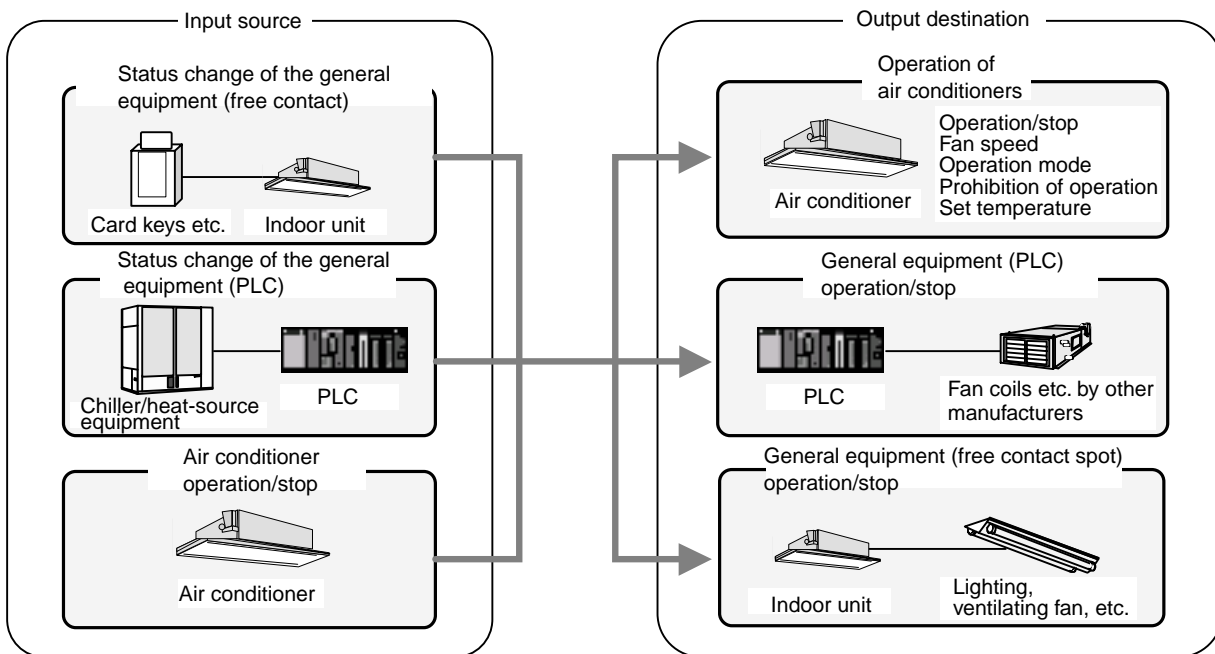
Attach an ATA card that has the general control PLC software for general equipment Ver.2 to the ATA card adapter for PC, and insert it in the card slot on the computer.

Install the “Table Setting Tool”<sup>1</sup> on the computer.

### (2) Determining the interlocking control items

Clarify what kinds of control are to be performed based on the operating condition of the air conditioners or general-purpose equipment that are connected to the PLC free contact spot.

Things that can be controlled are the turning on and off of the equipment that are connected to either PLC or free contact spots, or operation control of the air conditioners (operation/stop, operation mode, set temperature, fan speed, prohibition of operation).



\*If “air conditioner operation/stop” is selected as the input source, “operation of air conditioners ” cannot be selected as the output destination.

Figure 11-7 Interlocking control, input source, output destination

### Notes

- “Operation/stop” and “Error” on the general-purpose equipment, “Contact point input On/Off” on the free contact, and “Operation/Stop” of the air conditioner can be set as the interlocking source input.
- “Operation/Stop,” “Operation mode,” “Set temperature,” “Fan speed,” “Operation prohibition,” “Interlocked ventilation operation/stop” can be set for the interlocking control of air conditioners.
- “Operation/Stop” can be set for the interlocking control of general-purpose equipment.
- “Contact point output on/off” can be set for the interlocking control of free contact points.

<sup>1</sup> . “Table Setting Tool.” is in the CD of PAC-YG21CDA.

### (3) Setting the content of the interlocking control

Start the “Table Setting Tool,” and enter the content of the interlocking control.

After entering the content of the control, store the setting on the ATA card, insert the ATA card into the PLC, and start up.

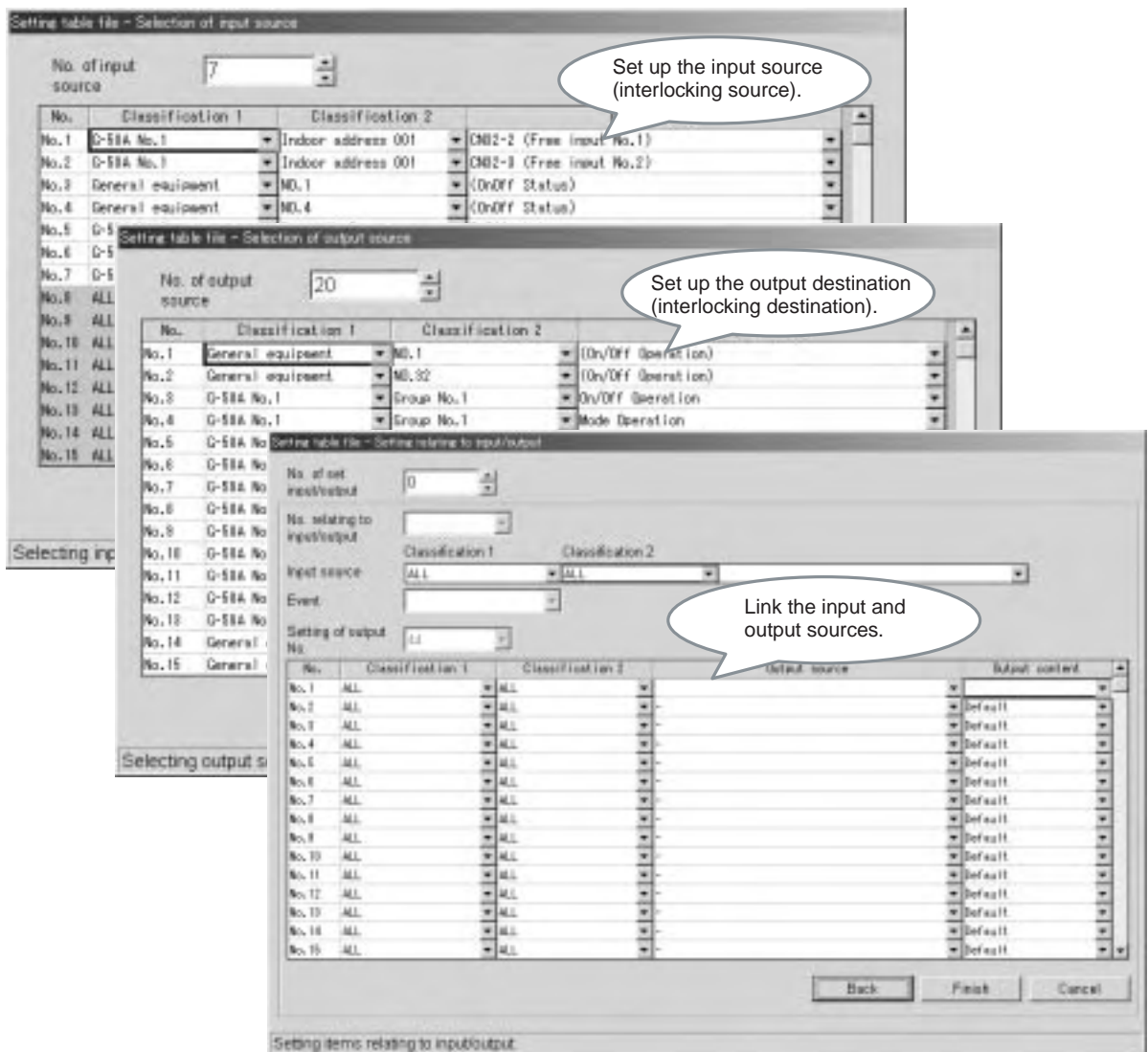


Figure 11-8 “Table Setting Tool” setting menu

### (4) Registration of the IP address and license of the controller G-50A

When air conditioners are selected as the output destination, change the IP address of the G-50A to which the air conditioners are connected from TG-2000A to PLC.

Also when air conditioners are used as the input source or output destination, register the “PLC for general equipment” license for the G-50A to which the air conditioners are connected.



# 11.3 Notes on using the general equipment control function

Note the following when using the general equipment control function.

## (1) Notes on set up

- Do not use the control function for fire prevention or for security purposes. Never use it in the way that would put people's lives at risk.
- Up to 32 pieces of equipment can be controlled by one PLC.
- Up to 20 general control PLC can be connected to a TG-2000A. (up to 640 pieces of general equipment).
- Interlocking control of up to 2 G-50As (up to 100 air conditioning units) by each PLC is possible.
- When running an interlocking control, up to 200 input sources can be selected from PLC contact points, free contact points, air conditioning operation/stop.
- When running an interlocking control, the operation status of the air conditioning cannot be used as an input source to operate the air conditioners.

## (2) Notes on Restrictions

- The system may not operate properly if the power to any connected equipment is not turned on or if there is a problem with any of the connected equipment.
- Depending on the status of the system, it may take some time for the control operation to go into action..
- Be sure to reset the PLC if there is a change in the configuration of the G-50A air conditioning group connections.

# 12. Step 9: Determining Number of PLC Units

This chapter talks about how to determine the number of sequencers (PLC).

## 12.1 PLC Standard Configuration

G-50A uses PLC (Programmable Logic controller) to provide measuring instrument charging function (pulse count system), general-purpose control function and other functions. The PLC to be used is “MELSEC-Q series” by Mitsubishi Electric, and Figure 12-1 shows the standard configuration of G-50A system.

In the standard configuration, “power supply unit”, “CPU Unit”, “Ethernet Unit” are mounted in the slots above the base unit.

Two open slots should be mounted with boards (DC input unit and transistor output unit) necessary to realize various functions. Model names of MELSEC-Q series products are listed in the Table 12-1 below.

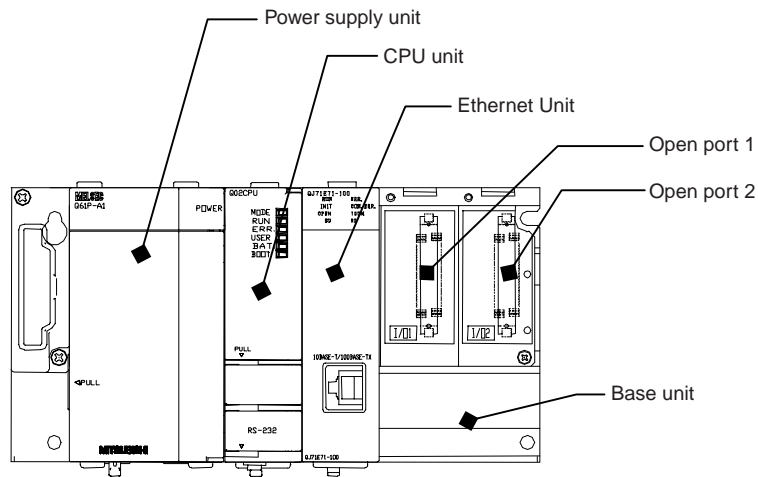


Figure 12-1 PLC standard composition

Table 12-1 MELSEC-Q series name and model name

Name	Type of unit	Model names (Makers)	Detail
Sequencer MELSEC-Q series	CPU unit	Q02CPU (Mitsubishi Electric)	Mandatory (For an operation with the software listed below) *Electric amount count software *PLC software for general equipment (Ver.1.**)
		Q02HCPU (Mitsubishi Electric)	Mandatory (For an operation with the software listed below) *PLC software for demand input *PLC software for general equipment (Ver.2.**)
	Power supply unit	Q61P-A1 (Mitsubishi Electric)	Mandatory AC100V only (Select Q61P-A2 for a single-phase 200V application.)
	Ethernet unit	Q71E71-100 (Mitsubishi Electric)	Mandatory
	Base unit	Q33B (Q35B, Q38B, Q312B) (Mitsubishi Electric)	Mandatory (When the PLC software for general equipment is used, the type of base unit to be used depends on the number of input/output units.)
	DC input unit (extension)	QX40 (Mitsubishi Electric)	One unit can accommodate 16 contact input. This is non-voltage input.
	Transistor output unit (extension)	QY40P (Mitsubishi Electric)	One unit can accommodate 16 contact input. This is non-voltage output.

# 12.2 Connection method for a system with a charging function or peak cut control function

## 12.2.1 Restriction on the number of units

To carry out measuring instrument charging function or energy saving peak cut control<sup>1</sup>, you will need to have the standard configuration explained in the previous chapter plus a DC input unit.

One DC input unit can support 16 contacts, so you can connect up to 16 measuring instruments. Since one PLC has two open ports, you can connect 32 watt-hour meters to 2 DC input units. In case 33 or more watt-hour meters have to be connected, add one more PLC unit.

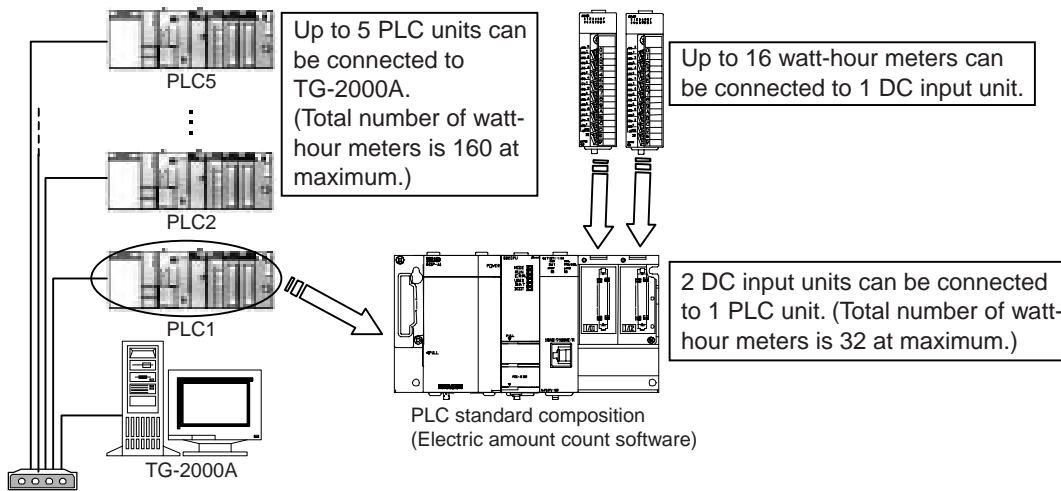


Figure 12-2 Restriction on the number of PLC units for the electric power apportioned charge function

## 12.2.2 Terminal connection diagram

Connection to DC input unit (QX40) terminals is shown in the Figure 12-3. (For wiring example, refer to 12.6) Since DC input unit is non-voltage input, you need to prepare an external DC24V power supply (DC12V is cannot be used).

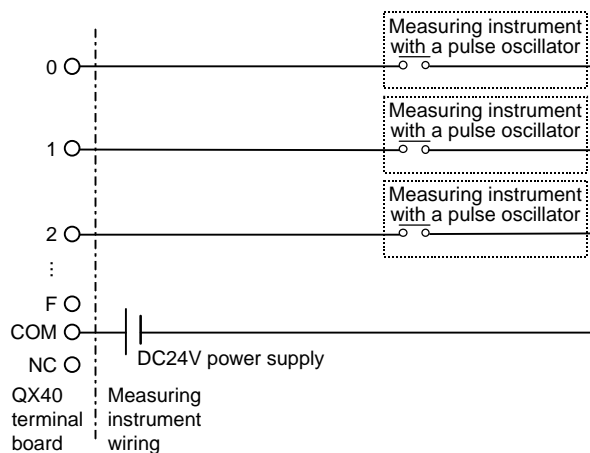


Figure 12-3 QX40 terminal connection diagram

<sup>1</sup> The watt-hour meter (PLC) utilized for the peak cut control function may also be utilized for the charging function.

### 12.2.3 Selecting the measuring instruments

Prepare a measuring instrument that measures the type of pulse signals indicated in table 12-2 below. The recommended type of watt-hour meter is listed in table 12-3 below.

Table 12-2 Recommended Pulse Specifications

Type	Specifications
Output pulse relay method	Semiconductor relay method
Output pulse width	100~300ms (100ms and above) Choose an instrument that outputs non-voltage a-contact point pulse per each pulse output.
Pulse unit	Watt-hour meter : 0.1kWh/pulse, 1 kWh/pulse recommended Water meter : m <sup>3</sup> /pulse Gas meter : m <sup>3</sup> /pulse Calorimeter : MJ/pulse * Except for the watt-hour meter, select instruments that take measurements in the appropriate pulse unit.

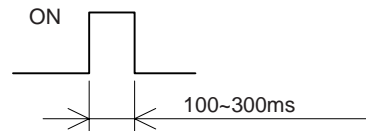


Table 12-3 Recommended watt-hour meter

Type	Specifications
Manufacturer	-
Type	Use the measuring instrument, whose specification is shown in the Table 12-2.
Miscellaneous	Up to 32 unit's electric energy per every PLC

\* (H) stands for an instrument with a transformer (CT) and (V) stands for half-embedded mounting rear-connection type.

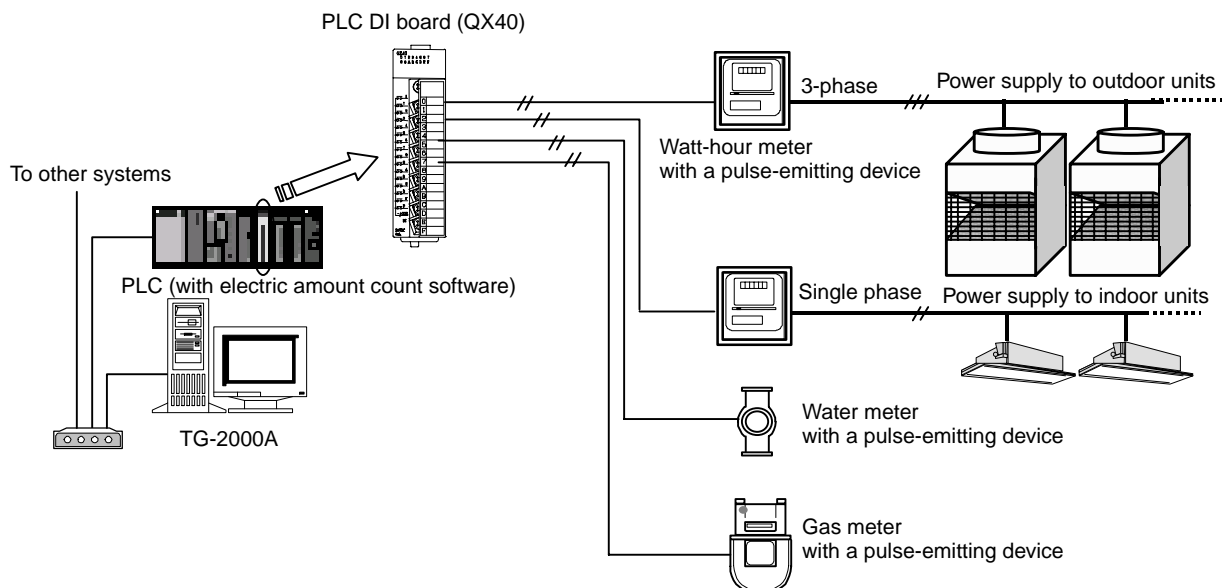


Figure 12-4 Simplified drawing of measuring instrument connection diagram

#### CAUTION

- Be sure to set the pulse unit for each measuring instrument.  
If the pulse unit is not set, the instrument will not take correct measurements, and the charging function and peak cut control will not function properly.
- The information on the amount of electricity and gas is sent as pulses, and the performance and precision depends on the instruments. Mitsubishi will not be held responsible for malfunctions of the instrument used.
- A measuring instrument that uses the level method may not be used. Set up the transformer circuit so that the input will be made in pulses.

# 12.3 Connection method for a system with the general control function in use

## 12.3.1 Restriction on the number of units

When performing general-purpose functions, you will need the standard composition explained in 12.1, DC input unit, and transistor output unit.

DC input unit and transistor output unit each supports 16 contacts. Each DC input unit can accommodate up to 4 DC input unit and transistor output units each. One system instrument uses two contacts, so, up to 32 general-purpose units can be connected. When you connect 33 or more general equipment, you will need to add one more PLC unit.

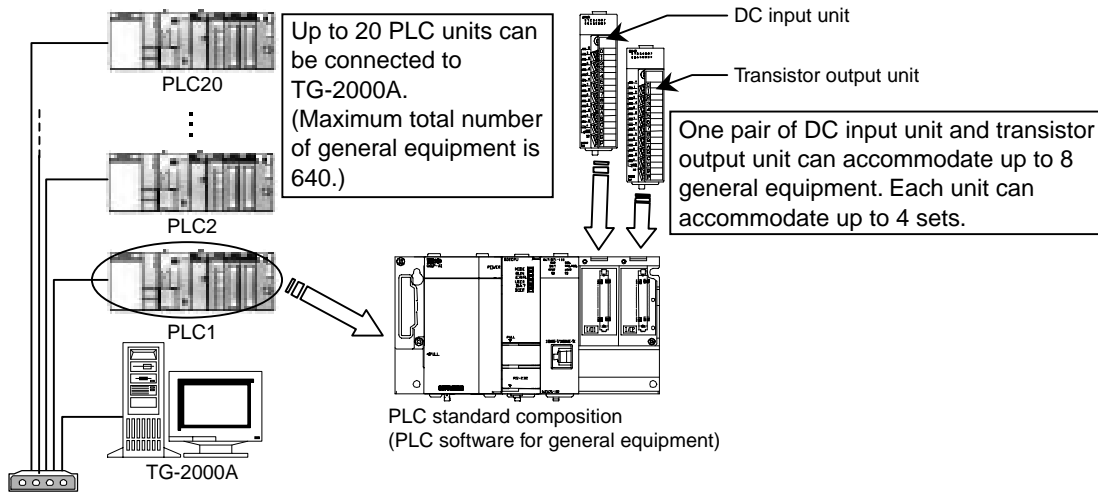


Figure 12-5 Restriction on the number of PLC units for multi-purpose control functions

### **CAUTION**

- If mounting positions of the DC input unit and transistor output unit are incorrect, they do not perform properly. Please mount the units referring to the diagram above.

### 12.3.2 Terminal connection diagram

Figure 12-6 shows the connection to terminal boards in DC input unit (QX40) and transistor output unit (QY40P). Since DC input unit and transistor output are non-voltage, you have to provide a DC24V power supply (DC12V is unacceptable) and a DC24V or DC12V power supply for transistor output unit separately.

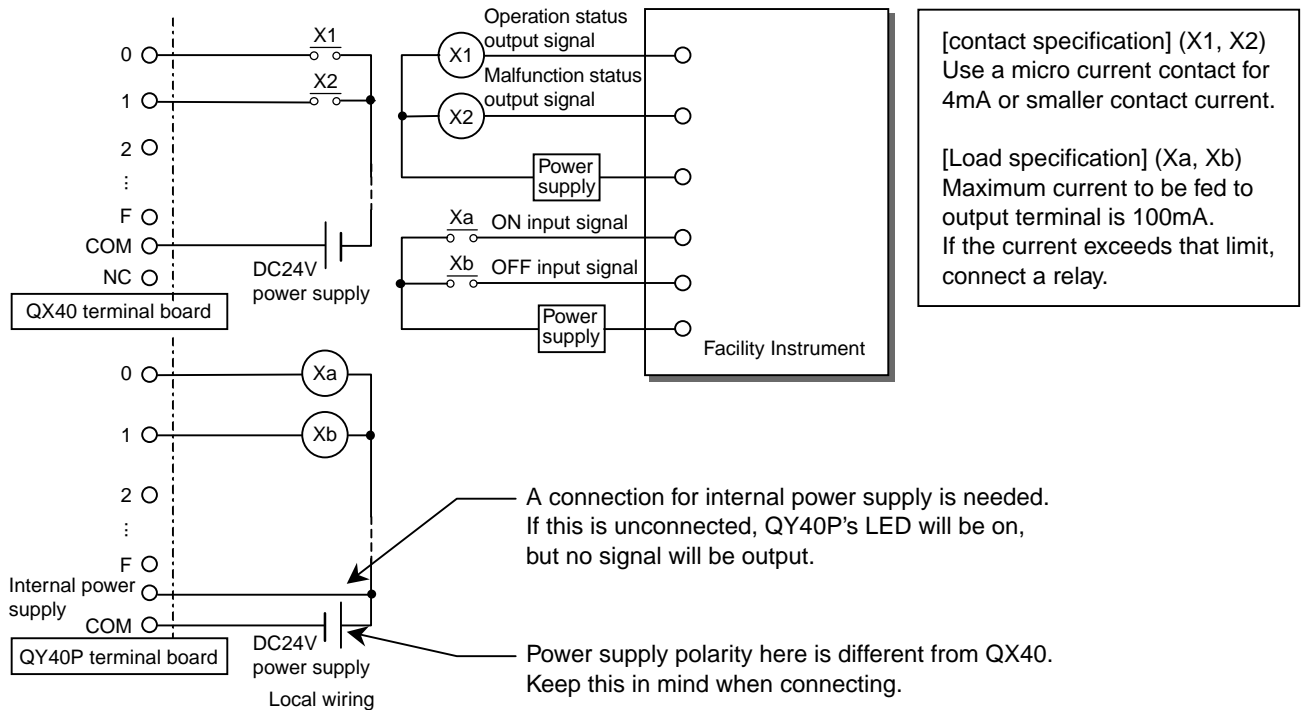


Figure 12-6 General-purpose control terminal connection diagram

**CAUTION** ● Provide a switch circuit for emergency ON and OFF in case of a PLC malfunction.

# 12.4 Connection method for a system with a demand controller in use

## 12.4.1 Restriction on the number of connected units

To run a peak cut control using the demand controller, the components explained in 12.1 and a DC input unit are necessary.

Four of the terminals on the DC input unit will be used for the 4 demand levels of a demand controller. The unused terminals may not be used.

Each Demand input PLC can energy-saving control up to ten G-50s. Two demand input PLC are necessary to accommodate more than 10 G-50s.

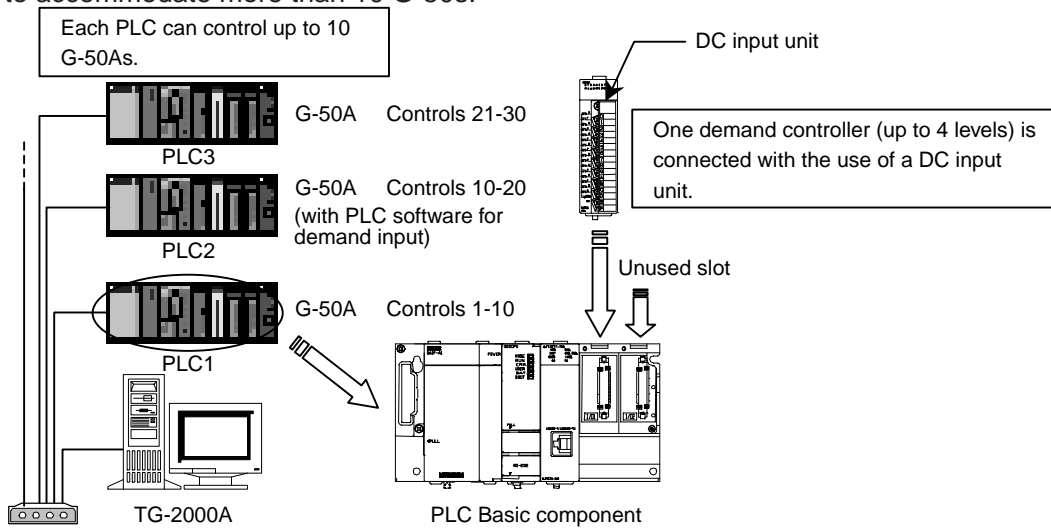


Figure 12-7 Restrictions on the number of demand input PLC

## 12.4.2 Terminals connection diagram

Figure 12-8 shows the method of making connection with the DC input unit (QX40). The DC input unit carries no voltage and it must be connected to a DC 24 V source (DC12V may not be used)(to be prepared on site).

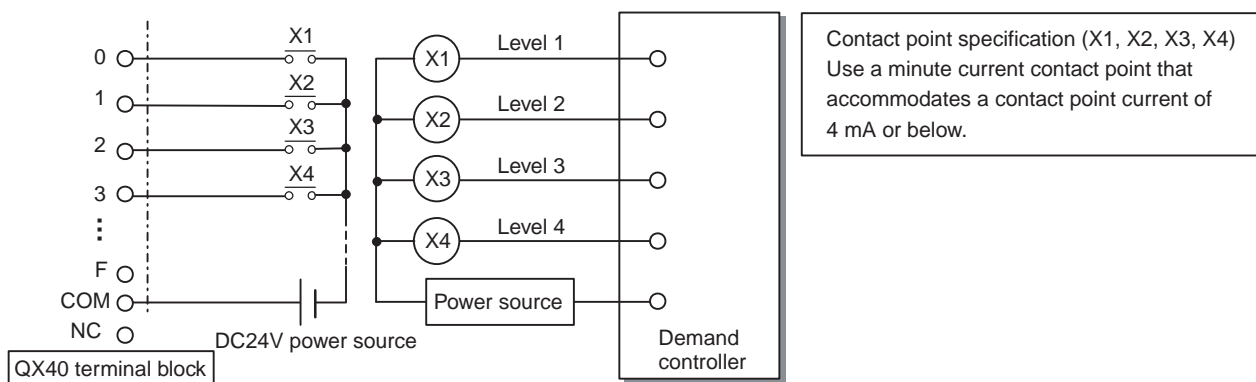


Figure 12-8 Demand controller terminal connection diagram



## 12.5 PLC Software

In order to use various functions based on PLC, integrated software is necessary. Some functions require license number registration in the G-50A main body.

PLC needs to have software to implement various functions.

Table 12-4 Items needed for each function

	TG-2000A	G-50A license registration	PLC DI board	PLC DO board	PLC software
Electric power apportioning function (Power consumption manual input)	○	○	×	×	×
Electric power apportioning function (Pulse count method)	○	○	○	×	PAC-YG11CDA <sup>*1</sup>
Electric power apportioning function (RS-232C WHM method)	○	○	×	×	×
Measuring instrument charging function (Pulse count method)	○	○	○	×	PAC-YG11CDA <sup>*1</sup>
Energy saving control function	○	○	×	×	×
Demand peak cut function	○	○	○	×	PAC-YG11CDA <sup>*1</sup> PAC-YG41CDA
General equipment control function	○	○ <sup>*2</sup>	○	○	PAC-YG21CDA

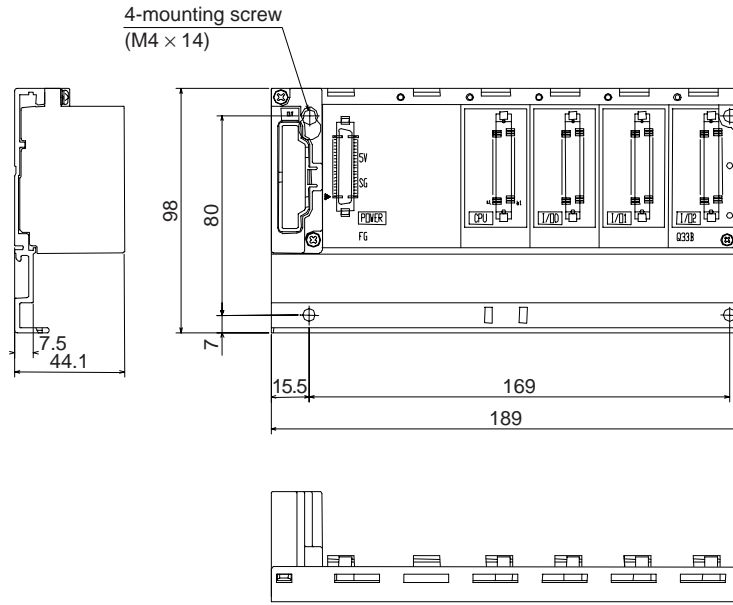
\*1 This will be different depending on the IP address of PLC. Refer to Table 8-4 for details.

\*2 Licensing is not necessary if only the general equipment that is connected to the PLC will be operated, monitored, and scheduled and if control of air conditioning will not be performed.

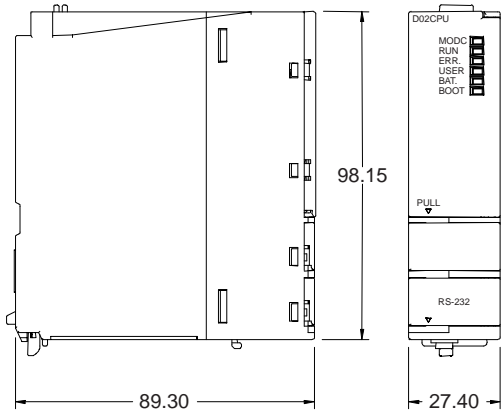
# 12.6 External View of PLC (Sequencer)

External dimension of each PLC unit is shown below.

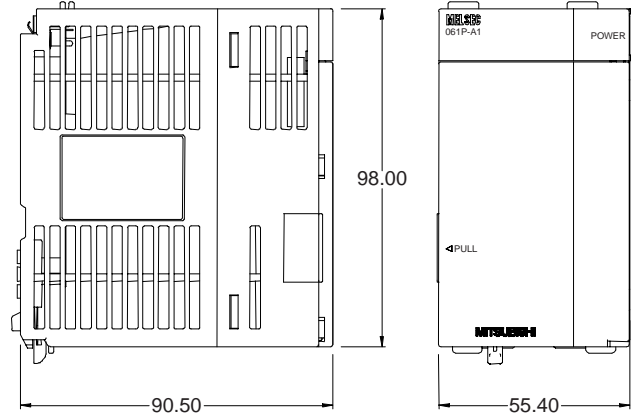
Base unit



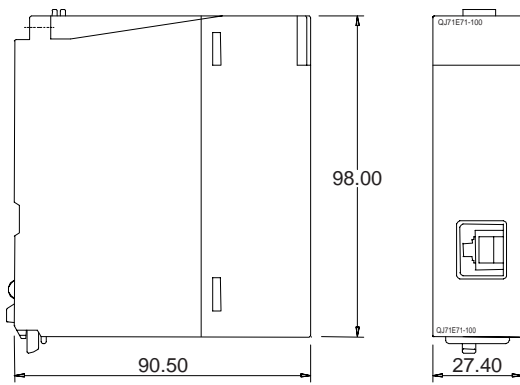
CPU unit



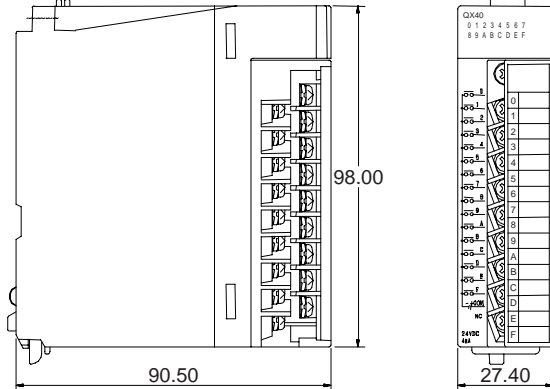
Power supply unit



Ethernet unit



DC input unit



\* Transistor output unit has the same dimensions.

# 12.7 PLC Wiring Diagram

A wiring example around PLC is shown in Figure 12-9. In the figure below are shown also necessary components in order to secure reliability (for reference). Depending on the setting environment, however, unnecessary components may be included. In this case, consult with a contractor to decide whether or not they are necessary.

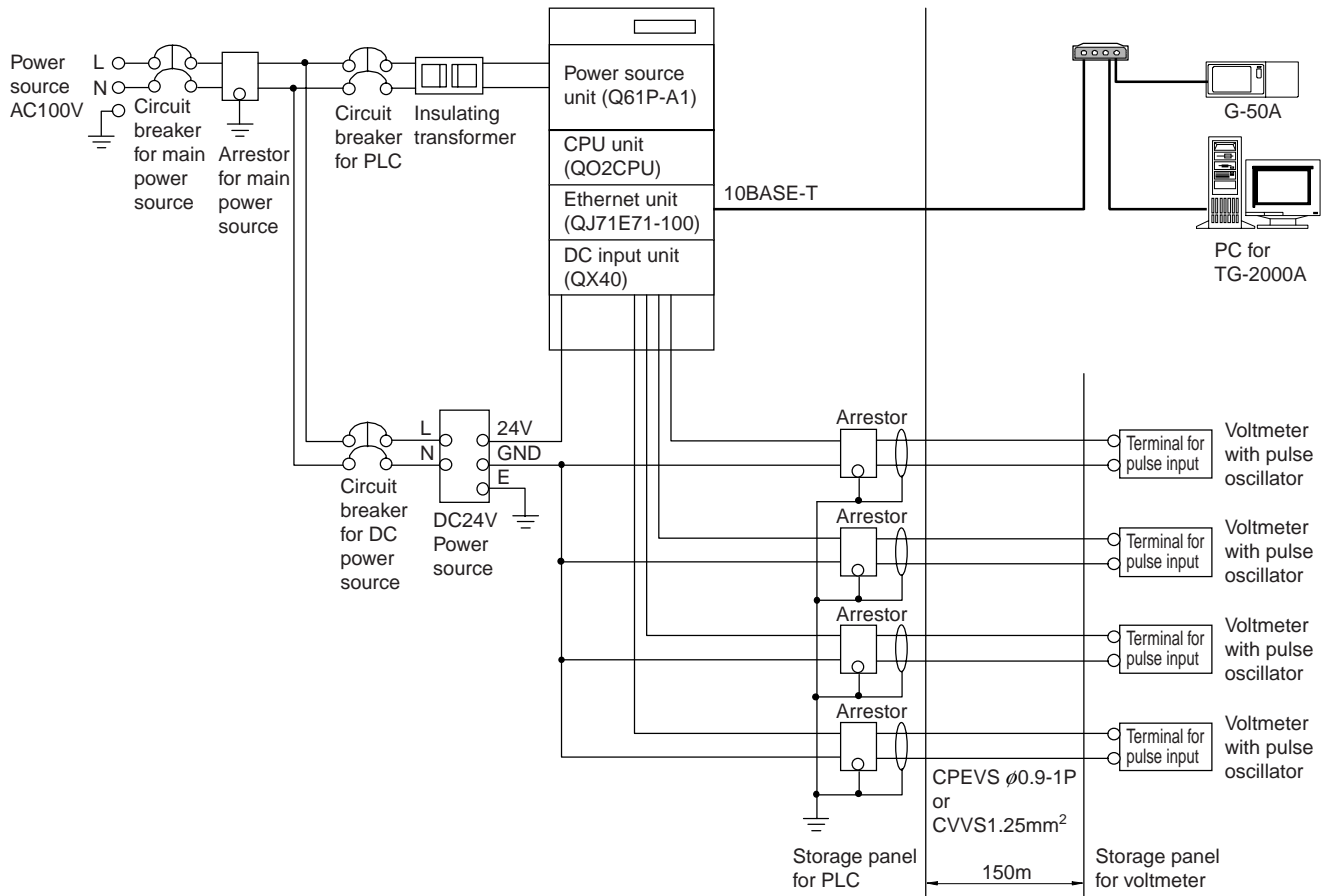


Figure 12-9 Wiring example around PLC

# 13. Step 10: Determination of Address for Air Conditioning Instrument and PC for Control

## 13.1 Address Setting for Air Conditioning Instrument

Address setting range for various types of air conditioning instrument is shown in the table below.

Table 13-1 Address setting range for M-NET models

Address range	Models	Remarks
000	G-50A	Basically, the address range of G-50A is fixed to "000" at the factory.
001~050	Indoor unit, OA Processing Unit, Lossnay, M-NET interface	
051~100	Outdoor unit, BC controller, constant-capacity unit, heat storage tank unit	
101~150	Master remote control (M-NET remote control)	M-NET remote control includes ME remote control, compact remote control, and Lossnay remote control to connect to M-NET transmission line. When MA remote control is used, address setting is not necessary.
151~200	Slave remote control (M-NET remote control)	
201~250	System remote control (PAC-SF44SRA) ON/OFF remote control (PAC-YT40ANRA) Group remote control (PAC-SC30GRA) and others	G-50A can also be used within the address range shown at the left.

Table 13-2 Address setting range for K-control model

Address range	Models	Remarks
001~050	Indoor unit, remote controller (group number)	
201~250	K-transmission converter (PAC-SC25KAA)	Minimum address for 200+K-control model indoor unit

Table 13-3 Address setting range for A-control model

Address range	Model	Remarks
001~050	Outdoor unit (adapter for M-NET connection)	Address for refrigerant system is to be set up separately.

## 13.2 Setting of LAN System

The components shown in Table 13-4 are required for LAN connection

Table 13-4 Components required for LAN

Names of components	Remarks
Hub for 10BASE-T	Requires either a standard hub for 10BASE-T or a switching hub.
LAN straight cable (twist pair cable) for 10BASE-T	The allowable maximum wiring length is 100m in connection. Also, twist pair cable is subject to a standard for category sorting stipulated by EIA/TIA. Twist pair cable in accordance with category 3 and 5 is used for Ethernet, but one in accordance with category 5 is recommended. Over-the-counter LAN cable is in accordance with category 5 and either 10BASE-T or 100BASE-Tx is available.

### 13.2.1 Setting method for connecting G-50A to exclusive LAN

This is a setting method to establish G-50A system with exclusive LAN wiring

#### (1) Setting of IP address

In the case that LAN wiring is newly provided for G-50A system, allocate the IP address of G-50A from [192.168.1.1] in sequence. For example, assign [192.168.1.1] for the first G-50A, [192.168.1.2] for the second G-50A, and so and so in sequence. In addition, set a PC for monitoring on the Web to monitor G-50A and set the initial setting tool and the like also to the network address in the same system.

In case of G-50A exclusive LAN, it is recommended that the IP address of each component is set within the following IP address range.

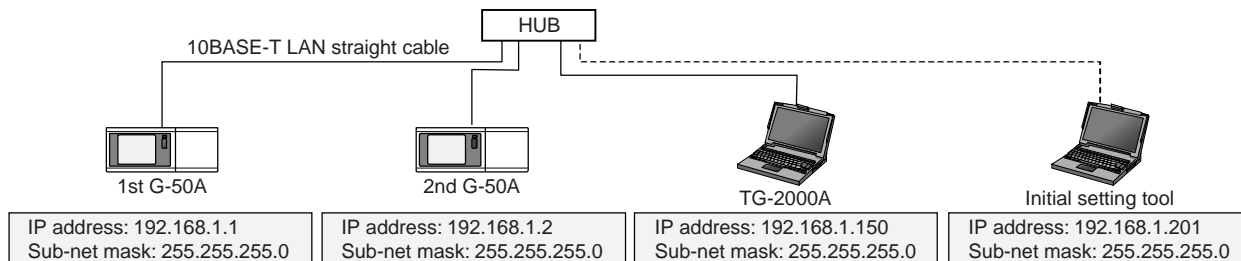
As the default value of IP address for G-50A is [192.168.1.1], the address from the second G-50A must be changed.

Table 13-5 Recommended IP address setting range

Models	IP address setting range
G-50A	[192.168.1.001] ~ [192.168.1.040]
PC for monitoring	[192.168.1.101] ~ [192.168.1.149]
PC for TG-2000A	[192.168.1.150]
PLC	[192.168.1.151] ~ [192.168.1.200] [192.168.1.151] ~ [192.168.1.155] for pulse count [192.168.1.171] ~ [192.168.1.190] for general equipment controller [192.168.1.191] ~ [192.168.1.194] for demand input
PC for initial setting tool	[192.168.1.201]

#### (2) Setting of subnet mask

Set [255.255.255.0] (default value) typically.



\* Some models among hubs are provided with exclusive port for connecting between hubs.  
For G-50A and PC for monitoring, connect to the regular port.

Figure 13-1 Setting example for exclusive LAN system

### 13.2.2 Setting method for connecting G-50A to existing LAN

#### (1) Case of central monitoring by Web browser

In the case of installing G-50A system in the existing LAN wiring, consult your network administrator who manages the LAN system to set IP address, subnet mask, and gateway address. Meantime, gateway address can be set only with the initial setting tool.

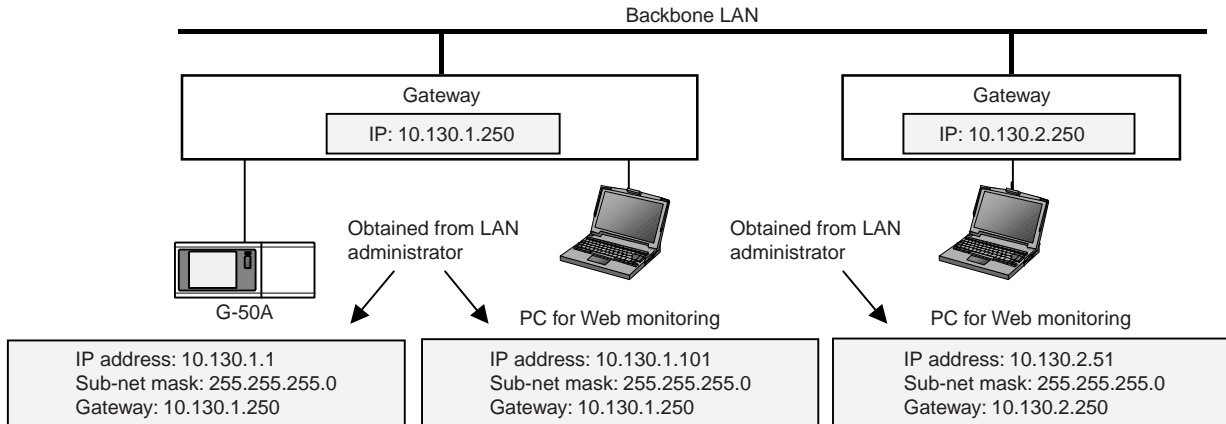


Figure 13-2 Setting example 1 of existing LAN system

#### (2) Case of centralized monitoring by TG-2000A

In the case of using the peak-cut function and charging function by means of TG-2000A, the separation of system by a router is recommended.

This is a means to secure the reliability of each component, as various signals are being transmitted on a LAN system in the environment that many PCs for clerical work are installed on the existing LAN system.

Communications with G-50A and PLC are possible by making a router convert the address by assigning an IP address corresponding to the IP address form on the backbone LAN also to G-50A and PLC to access to them by the use of the address.

G-50A installed in the downstream of a router is required to register the address of the router as a gateway address, but PLC-related devices are not required to.

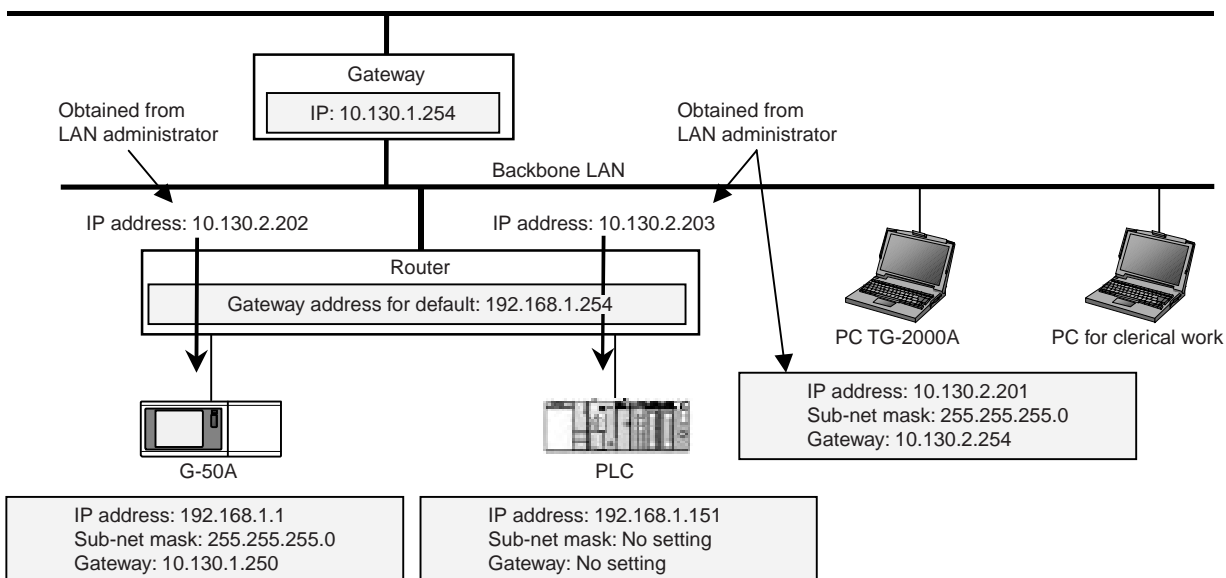


Figure 13-3 Setting example 2 of existing LAN system

Table 13-6 Necessary component in case of incorporating existing LAN

Name of component	Maker for reference: Model name	Remarks
Router		Install the G-50A, General control PLC (ver.2), and demand input PLC within the same router.

# 13.3 System Using Optical Cable for LAN

As stated in item 0, the LAN wiring length in G-50A system can be expanded up to 500m by connecting a hub in the form of cascade connection. However, in the system in which the wiring length requires 500m or more on the system configuration, Optical cable if used can be extended up to 500m or more.

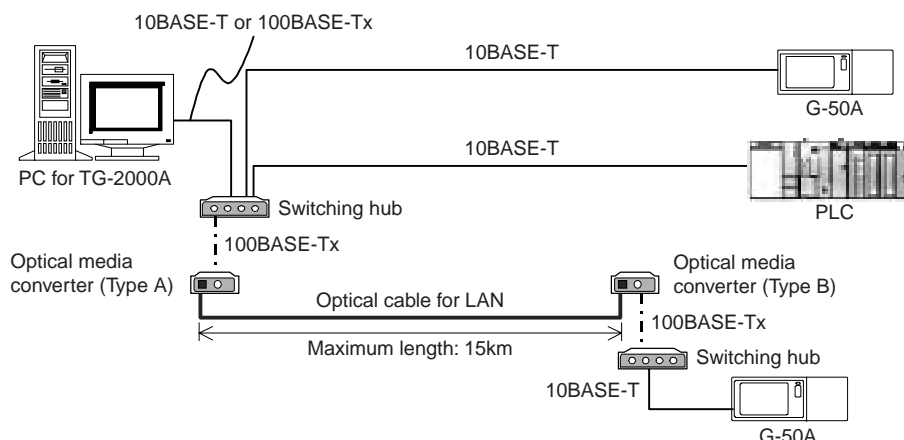


Figure 13-8 Chart of LAN system using optical cable

Table 13-10 Necessary components for optical cable system

Names of components	Remarks
Hub for 10BASE-T/100BASE-TX	A hub that enables the mutual connection of an optical media converter (100BASE-Tx) and G-50A (10 BASE-T)
Optical media converter (Type A)	Be sure to use type A and type B in pairs.
Optical media converter (Type B)	↑
LAN cable (twist pair, category 5)	Be sure to use the LAN cable in accordance with category 5 corresponding to 100BASE-Tx to connect to an optical media converter.
Optical cable for LAN	Refer to the operation manual that came with the optical media converter.

## (1) Switching hub

A switching hub is a component to memorize the IP address of equipment to be connected to the hub to hold the route at the other end. There is no limit in its stage due to no need of screening and detection of the equipment at the other end. For details, refer to Clause 6.3.2.

## (2) Optical media converter

This is a converter to transform a regular LAN signal to an optical signal.

The recommended MELCO optical media converter has Type A and Type B, and be sure to use in pairs.

## (3) Optical cable for LAN

This is optical cable for LAN.

Recommended specifications of the optical media converter are as shown in above table.

A system with a wiring length of 15km<sup>1</sup> can be established by using optical cable.

<sup>1</sup> The wiring length for LAN depends on an optical media converter to be used. For details, refer to Instruction Manual for Optical Media Converter.



# 14. Step 11: Confirmation of Other Functions

## 14.1 Personal Web Function

The Ver.2.6 of G-50A or later is provided with the individual browser function. (License registration required)  
This function is not available with G-50A versions earlier than 2.6 (For administrator's web browser function, web monitor license registration is required). Please refer to section 2.3 for function licence.

### 14.1.1 Outline

This function is to be capable of operating and monitoring only the air conditioners (in a unit of group) to which access is permitted like a local remote control, if a user or an administrator of air-conditioners registers each group of general users whose access is permitted.

As the use of this function enables to set groups of every tenant, which are allowed to operate and monitor air-conditioners, the operation of the air-conditioners by other tenant users can be avoided.

In addition, a license registration is required to use this function. If not registered, the air-conditioners cannot be operated by public users.

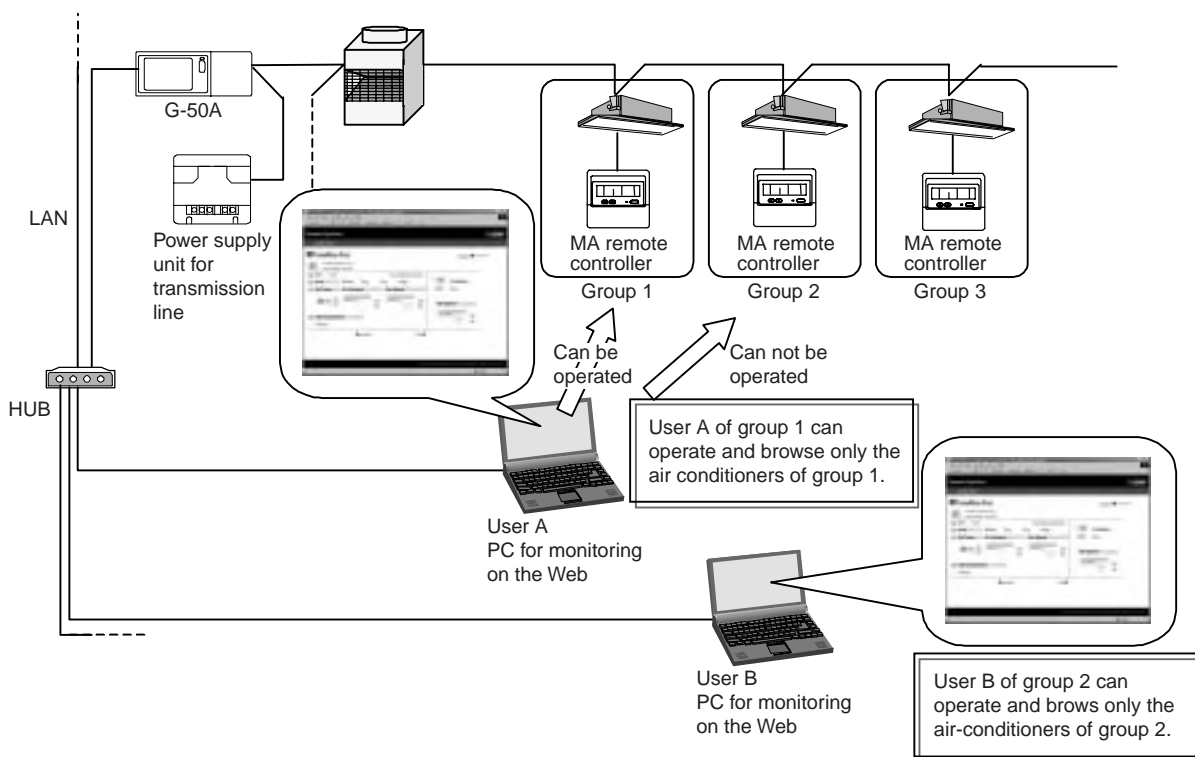


Figure 14-1 Outline of individual browser function

### 14.1.2 User registration from administrator

Administrators (users who access to Web window from administrator.html) perform user registration on the Web window. Each user name is changeable. Set a pass word to be set together with a user name with each user.

User name: English half-size characters (Up to 20 characters)

Pass word: English half-size characters (Up to 10 characters)

**User information**  
The user names of administrators and air-conditioners available are displayed on the screen. (All the groups of air conditioners under the control of G-50A are displayed on the screen.)

**General user information**  
The user names of general users and groups of air-conditioners available are displayed on the screen.

**User name**  
The user names of general users are displayed on the screen. Up to 50 user names can be registered.

**Air conditioners which can be operated**  
Air conditioners which can be operated are displayed. Move the cursor to the icon, then the names of groups are displayed on the screen.

**Setting/deleting buttons**  
These buttons are to set and delete user information.

Figure 14-2 Window for user registration

### 14.1.3 Log-in from public users

The registration of public users from administrators allows operating air-conditioners by general users (users who access to Web window from administrator.html).

# 14.2 Trend Data Output Function

TG-2000A 4.1 or later version is additionally provided with the trend data output function.

## 14.2.1 Outline

Trend data and peak cut data in each optional function (measuring instrument charging function and peak-cut function) can be output from CVS file. A trend graph can be developed from the output data in CSV file by using the Support Tool for Trend Graph in the CD-ROM for Installation of TG-2000A.

The trend data which can be output are as shown in Table 14-1.



Figure 14-3 Trend data selecting screen

Table 14-1 Outline of trend data

Parameter file	Descriptions	Display period of output data (data holding period)	Remarks
Operating Information	Data on the set temperature, suction temperature, operation status (operation/stop), error history (normal/abnormal), and operation mode for each group will be generated by the day. Sampling cycle can be selected from 2 min., 5 min., 10 min., 15 min., 30 min., 60 min. (default: 60 min.). Each value shows the value of the unit in the group with the smallest address.	Current day data (the set interval) Past 31days of data (Every hour)	Capable of automatic output The trend data of the Lossnay group will not be collected.
Electric power (block)	Electric power consumption and its power rate of every charging block are output on a day-to-day basis.	Past 122days of data	
Electric power (IC)	Electric power consumption and its power rate of every indoor unit are output on a day-to-day basis.	Past 122days of data	
Watt-hour meter	Electric power consumption and its power rate of every power meter by a unit of one hour are output on a day-to-day basis.	Past 31days of data	Capable of automatic output
Peak cut data (daily report)	Integral power consumption at an interval of one minute and historical data for electric power by a unit of 30 minutes are output on a day-to-day basis.	Past 31days of data	Capable of automatic output
Peak cut data (monthly report)	Historical data for consumed electric power by a unit of one day is output on a month-to-month basis.	Past 62days of data	Capable of automatic output

### CAUTION

- As for the Trend Data, each file is created by TG-2000A collecting the data from G-50A and PLC.
- Therefore, in the environment where TG-2000A is not connected full-time or in case that TG-2000A can not communicate with G-50A or PLC, phenomena such as missing of data and no formulation of a file may be induced.
- Each value shows the value of the unit in the group with the smallest address.

### Notice

- Trend data output function is on the TG-2000A version 4.1 and later.  
The output of the operation information on version 4.1 includes the set temperature and suction temperature only and only generated at 2-minute intervals only. In order to obtain information on stop/start status or operation mode or to change the intervals of sampling, TG-2000A version 4.40 or later is necessary.
- Trend data will be stored in the trend data folder for 2 years.  
After 2 years have passed, the folder for the month past 2 years will be automatically deleted each month. Periodically perform the back up of data in an external recording media.

## 14.2.2 Preparation for outputting parameter files

In order to output parameter files, a setting on the window of TG-2000A initial setting screen is required. The following conditions allow each trend data to be output.

- ① Trend data related to electric power (There are 3 kinds):  
 “Electric power PLC included”, “Watt-hour meter and measuring instrument connected”, and “Trend”.
- ② Trend data for temperature: Check on “Trend” and “Temperature”.
- ③ Data for peak cut: “Electric power PLC included” and “Peak cut”.

In case of setting to “Trend”, the selection of an item from “Tool” in TG-2000A menu bar allows outputting a trend data for a desired period. In addition, each trend data is automatically output in a folder for automatic trend output every day or every month to be saved for 2 years.

**Electric power and measuring instrument connected**  
 Setting to “Electric power and measuring instrument connected” allows outputting trend data for electric energy by block, electric energy by IC, and watt-hour meter and measuring instrument.

**Electric power PLC included**  
 This setting allows outputting trend data for electric energy and peak cut.

**File output destination**  
 Selects the file output destination of automatic trend data file.

**Peak cut**  
 Executing “Peak cut” allows outputting trend data for peak cut unconditionally.

**Trend**  
 Setting to “Trend” allows automatically outputting trend data for electric energy. Besides, checking on “Temperature” allows automatically outputting trend data for temperature.

## 14.2.3 How to output CVS files

In case of outputting trend data, using each function, the selection of “Tool” in TG-2000A menu bar allows developing trend data CSV files. Also, at the same time, the trend data CSV file is automatically saved in the automatic trend output folder every day. The automatic trend output folder is

C:/TG2000A/TrendData/ (Default).

Additionally, the folder can be also changed.

A yearly folder and a monthly folder are created from each data in an automatic trend output folder to be saved in the folders.

/2003/06/	(Temperature data) Temp[Year-Month-Day]B[Block No.].csv
(Year) (Month)	(Watt-hour meter, measuring instrument) Mtr[Year-Month-Day].csv
	(Monthly report on peak cut) MtrPC[Year-Month].csv
	(Daily report on peak cut) G50PC[Year-Month-Day].csv

**Selection of output object**  
 Select output object to output trend data. (Selection 1, Selection 2, Group, etc.)

**Selection of period**  
 Select a date of outputting.

**Setting of output file**  
 Set a folder and file to be output.

Figure 14-4 Screen for manual output of trend

### 14.2.4 Example of CSV files output

Example of each output file is shown as below.

In addition, although each relevant datum is shown in each data column, the data value with the following mark indicates abnormal data.

[-99] : Indicates that TG-2000A have failed to collect normal data from G-50A and PLC.

[ ] (Blank): Indicates that the power source for TG-2000A has been off.

#### (1) Trend data for temperature

	101 Set temp Room temp				1-
	1-001	1-002	1-003	1-004	
	Set temp	Set temp	Set temp	Set temp	
8/28/2003 17:30	21	21	21	21	Selection is possible in group, operating block, and floor.
8/28/2003 17:32	21	21	21	21	
8/28/2003 17:34	21	21	21	21	
8/28/2003 17:36	21	21	21	21	
8/28/2003 17:38	21	21	21	21	
8/28/2003 17:40	21	21	21	21	
8/28/2003 17:42	21	21	21	21	
8/28/2003 17:44	21	21	21	21	
8/28/2003 17:46	21	21	21	21	

In a unit of 2 minutes in a designated period

#### (2) Trend data for watt-hour meter by block

	102 Electric power(Block1)		Electric power(Block2)		Charge(Block1)	
	Indoor unit[kWh]	Outdoor unit[kWh]	Indoor unit[kWh]	Outdoor unit[kWh]	Indoor unit[EUR]	Outdoor unit[EUR]
	9/1/2003	2095.5	9095.1	2095.5	9095.1	20955
9/2/2003	21491.1	9905.3	21491.1	9905.3	214911	99053
9/3/2003	10094.6	9093	10094.6	9093	100946	90930
9/4/2003	8374	18383.7	8374	18383.7	83740	183837
9/5/2003	9075.1	9219.1	9075.1	9219.1	90751	92191
9/6/2003	9005.3	10029.3	9005.3	10029.3	90053	100293
9/7/2003	9093.6	9217	9093.6	9217	90936	92170
9/8/2003	8383.7	18507.7	8383.7	18507.7	83837	185077

Daily basis in a designated period

The apportioned electric power consumption and its charge of every designated charging block are displayed on the screen.

The data apportioned in every block with an outdoor unit equipped with WHM (watt-hour meter) are shown in a column of outdoor unit and the data apportioned in every block with an indoor unit equipped with WHM (watt-hour meter) are displayed in a column of indoor unit.

#### (3) Trend data for electric energy (IC)

	103 Electric power(01-001)		Electric power(01-002)		Charge(01-001)	
	Indoor unit[kWh]	Outdoor unit[kWh]	Indoor unit[kWh]	Outdoor unit[kWh]	Indoor unit[EUR]	Outdoor unit[EUR]
	9/1/2003	2095.5	2598.4	2053.6	2546.5	20955
9/2/2003	21491.1	26649.0	21061.3	26116.0	214911	266489.64
9/3/2003	10094.6	12517.3	9892.7	12267.0	100946	125173.04
9/4/2003	8374	10383.8	8206.5	10176.1	83740	103837.6
9/5/2003	9095.1	11277.9	8913.2	11052.4	90951	112779.24
9/6/2003	9905.3	12282.6	9707.2	12036.9	99053	122826.72
9/7/2003	9093	11275.3	8911.1	11049.8	90930	112753.2
9/8/2003	18383.7	22795.8	18016.0	22339.9	183837	227957.88

Daily basis in a designated period

Electric power consumption and its charge of every designated indoor unit, floor, and charge block are displayed on the screen.

The data apportioned in every block with an outdoor unit equipped with WHM (watt-hour meter) are displayed in a column of outdoor unit and the data apportioned in every block with an indoor unit equipped with WHM (watt-hour meter) are displayed in a column of indoor unit.



(4) Trend data for watt-hour meter and measuring instrument

	104 Count value		
	Meter1	Meter2	Meter3
	Count value[kWh]	Count value[kWh]	Count value[kWh]
9/2/2003 0:00	11779	12486	17551
9/2/2003 1:00	13916	14751	20735
9/2/2003 2:00	16054	17017	23920
9/2/2003 3:00	18191	19282	27105
9/2/2003 4:00	20329	21549	30290
9/2/2003 5:00	22466	23814	33474
9/2/2003 6:00	24603	26079	36658
9/2/2003 7:00	26735	28339	39835
9/2/2003 8:00	28872	30604	43019
9/2/2003 9:00	31009	32870	46203
9/2/2003 10:00	33147	35136	49389

Consumed integrated electric power of every designated measuring instrument is displayed on the screen.

Hourly basis in a designated period

(5) Data for peak cut (Daily report)

107 Peak cut(9/15/2003)		
G-50A No 1		
Time	The amount of electric power for peak cut[kWh]	Control level
0:00	11779	2
0:01	11779	2
0:02	11779	2
0:03	11779	2
0:04	11779	2
0:05	11779	2

Electric power consumption of every G-50A in a unit of 30 is displayed on the screen.

A control level of electric energy of every G-50A in a unit of 2 minutes is displayed on the screen.

In a unit of 2 minutes on a designated day

(6) Data for peak cut (Monthly report)

108 The amount of measurement for peak cut	
Meter1	Meter2
The amount of measurement for peak cut[kWh]	The amount of m
7/1/2003 0:00	15296
7/2/2003 0:00	24376
7/3/2003 0:00	33456
7/4/2003 0:00	42536
7/5/2003 0:00	51616
7/6/2003 0:00	60696
7/7/2003 0:00	69776
7/8/2003 0:00	78856
7/9/2003 0:00	87936
7/10/2003 0:00	97016
7/11/2003 0:00	106096
7/12/2003 0:00	115176

Daily electric power consumption of every measuring instrument is displayed on the screen.

A designated month (1 to the end of the month)

### 14.2.5 Graphing trend data

A trend graph can be developed from a CSV file output as trend data by means of “Support tool for developing trend graphs” in the CD-ROM for TG-2000A installation.

[Essentials for display of a trend graph]

Excel 2000/XP

An output file of trend data or peak cut data

“Support tool for drawing trend graphs (Excel)”

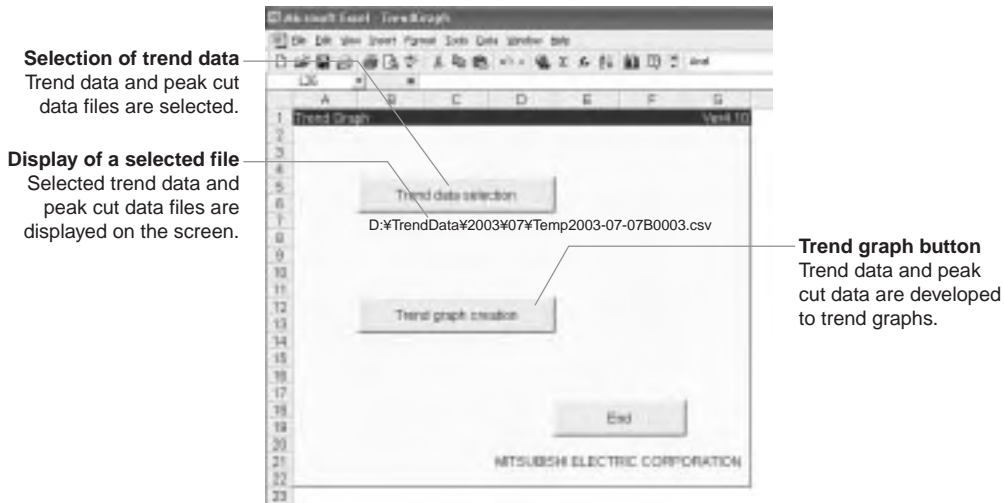
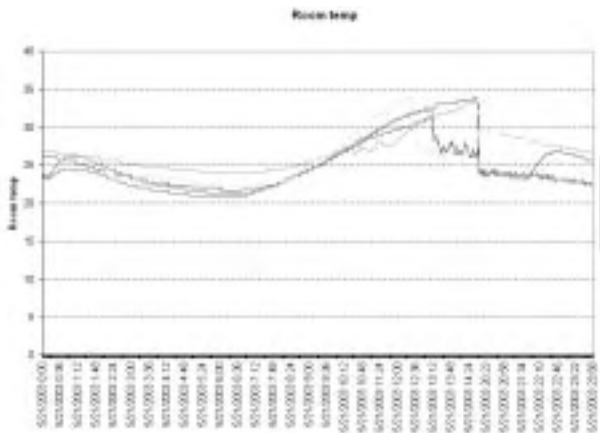
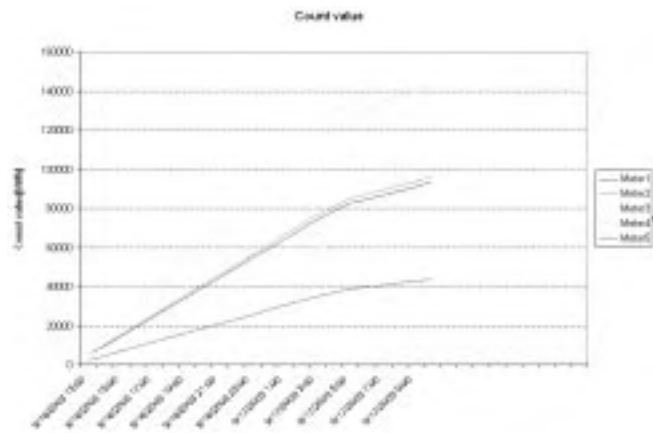


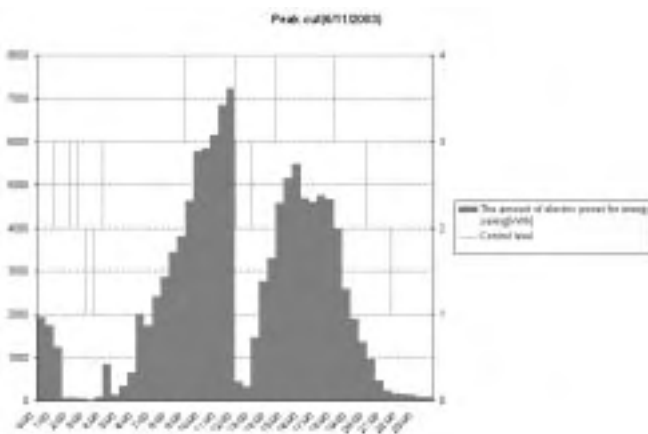
Figure 14-5 Support tool for trend graph



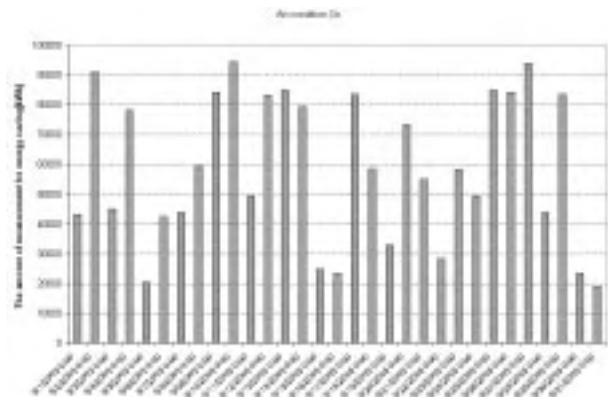
Example of trend graph for inlet temperature



Example of trend graph for watt-hour meter integrated value



Example of trend graph for daily report



Example of trend graph for monthly report



# 15. Initial Setting Tool

## 15.1 What is the Initial Setting Tool?

This is a tool for group setting of air-conditioners, registration of transmission report on abnormal mail, and registration of the IP address of G-50A. The conventional central controller (MJ-103MTRA) was required to input locally group setting and various initial settings such as a name of group, etc. The use of this tool, however, allows development of data for initial settings in advance to carry out initial settings only with transmitting those data to G-50A at local site.

In addition, since the following items cannot be set with G-50A without using the initial tool, they must be registered without fail by means of the initial setting tool.

- When transmitting information on abnormal mail: Setting the abnormal mail transmission
- When connecting by way of gateway by the use of existing LAN: Registration of a gateway address
- When performing centralized control by a Web browser (Without TG-2000A): Registration of a block setting



Figure 15-1 Example of screen for initial setting tool

# 15.2 Composition of Initial Setting Tool

Other than the CD-ROM for initial setting tool, PC and LAN cable are required for the use of the initial setting tool.

## 15.2.1 PC for initial settings

A PC for initial settings must be in accordance with the following specifications:

Table 15-1 Operating environment

Items	Descriptions	Remarks
PC	PC/AT compatible	
OS	Windows® 98/Me/2000/XP	
CPU	Pentium 133MHz or more	
HDD	20MB or more	
Memory	64MB or more	
Interface	LAN port (Exclusive 10BASE-T recommended)	In case of connecting to G-50A with LAN cable (PAC-YG00FA-E) for initial setting, if the LAN port of a PC is of 10/100BASE-T automatic changeover type, it may not be connected normally. In this case, connect with LAN straight cable with a transmission speed of LAN port of the PC fixed at 10Mbps or with a hub added between G-50A and the PC.
Others	CD-ROM drive (Necessary when installing) Pointing devices such as a mouse	

## 15.2.2 Connection to G-50A

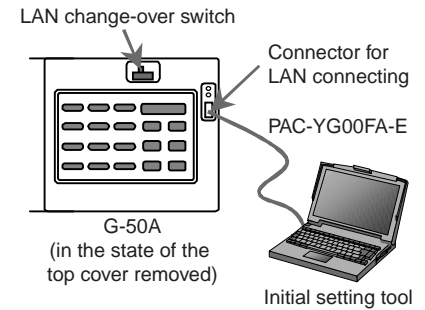
There are the following 3 patterns for connecting system to G-50A.

### (1) Connection using LAN connecting cable for initial setting (PAC-YG00FA-E)

In the environment where G-50A is installed on the wall, control panel, etc., a connection to the LAN connector located backside may be difficult.

Therefore, a connector for the initial setting tool is mounted on the control panel of G-50A.

If the top cover is removed, LAN communication is switched to the side of the connector for LAN connecting by switching the LAN change-over switch to the side B.



#### Notice

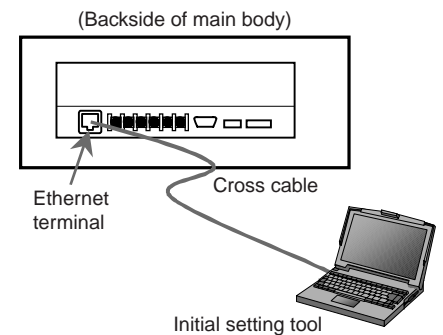
- Refer to Instruction Manual for Initial Setting for a method for connection to the initial setting tool.
- In the case of connecting to G-50A with LAN connecting cable (PAC-YG00FA-E) for initial setting which is sold separately, if the LAN port of a PC is of 10/100BASE-T automatic changeover type, normal connection may be impossible. In this case, connect with straight cable by way of a hub additionally provided between G-50A and a PC.
- As a serial number is recorded on the cover, be sure not to confuse the cover for G-50A with other cover for G-50A when the cover is attached after the completion of initial setting.

### (2) Connection to the backside of the main body

In the case of connecting directly to the LAN connector located backside of the main body, connect with cross cable.

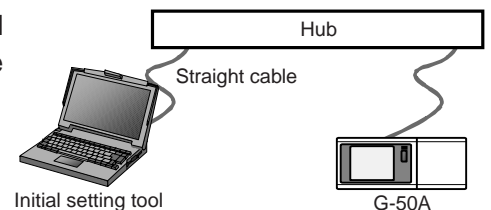
#### Notice

- In the case of connecting to G-50A with cross cable, if the LAN port of a PC is of 10/100BASE-T automatic changeover type, normal connection may be impossible. In this case, connect to G-50A with straight cable by way of a hub additionally provided between G-50A and PC.



### (3) Connection by way of a hub

In the case that LAN wiring of G-50A is completed and connecting to the hub is available, connect with straight cable for 10BASE-T by way of the hub.



# 16. Other function

## 16.1 Auto-Changeover Function (Automatic Changeover of Cooling/Heating Operation)

For the outdoor unit (Y Series) without the function of cooling/heating simultaneous operation, G-50A can judge whether cooling or heating should be selected by observing a difference between the set and inlet temperature of each indoor unit, and collectively changes over the operation of cooling/heating of indoor units connected to the outdoor unit.

With this function employed, cooling operation is automatically selected if your room is getting hot, while heating operation is automatically switched over if your room is getting cold.

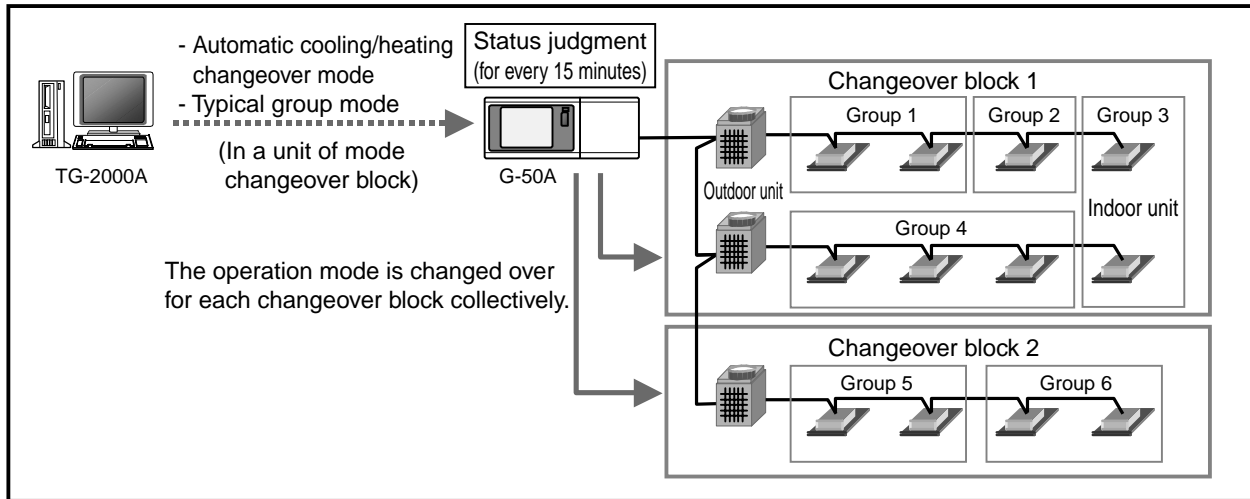


Figure 16-1 Configuration of auto-changeover system

The auto-changeover function includes two switching modes, [Auto change mode] and [Representation group mode]. Either mode can be set from TG-2000A in each changeover block\*.

\* Changeover block : This represents a block in the unit of refrigerant system. When an operation group over refrigerant systems is set, the plural refrigerant systems for which the group belongs to will form a same changeover block.

Table 16-1 Operation detail of each changeover mode

Changeover mode	Operation detail
Auto change mode	The difference between the inlet temperature and set temperature of each air conditioning group is checked once for 15 minutes, and the operation mode (cooling/heating) with higher priority is changed over to operate by considering the air conditioning capacity ratio.
Representation group mode	When a typical group is assigned, the difference between the inlet and set temperature of the assigned group is checked once for 15 minutes, and the mode is changed over for operation. In the case of the typical group under stopping or fan operation, automatic control takes place with [auto change mode] automatically.

### 16.1.1 Auto change mode

Under this mode, the difference of the set and inlet temperature of air conditioning groups (except for the group under fan operation or stopping) in a same changeover block is measured to assign points to each group accordingly, and from this resultant total, the changeover mode (cooling/heating) is selected. In order to determine the changeover mode with the consideration of a ratio of the number utilizing each air conditioner, the points by temperature difference are weighted with the capacity value of the indoor unit.

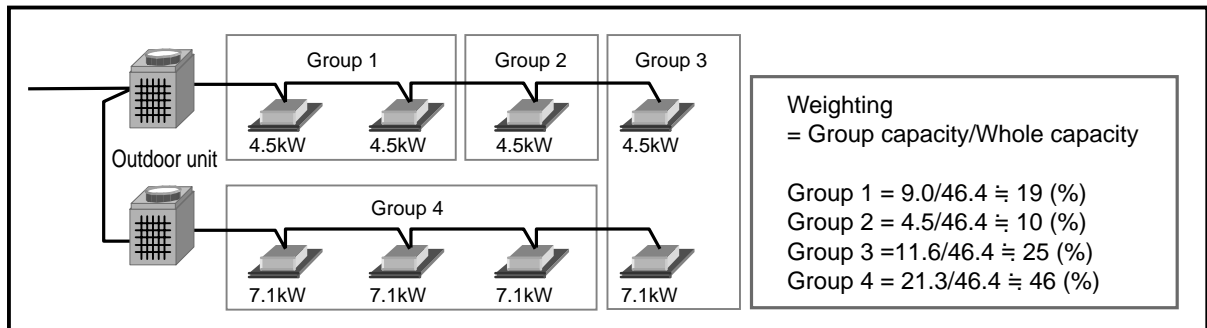


Figure 16-2 Weighting of air conditioner group

When the points of each air conditioner group are multiplied with the weighting factor as below and summed up, cooling is selected if the result stays on a positive number (over 1) while heating is selected if it stays on a negative number (below -1).

Table 16-2 Temperature difference between set and inlet temperature and points

Temperature difference between set and inlet temperature	Temperature difference and points		
	$0 \leq  \Delta t  < 1.5$	$1.5 \leq  \Delta t  < 3.0$	$3.0 \leq  \Delta t $
Set temperature $\leq$ Inlet temperature	0	1 x weighting	2 x weighting
Set temperature $>$ Inlet temperature	0	-1 x weighting	-2 x weighting

### 16.1.2 Representation group mode

Judging for cooling/heating to be operated by viewing the set and inlet temperature of assigned air conditioner groups within a changeover block for every 15 minutes, the indoor units within the changeover block are switched over to cooling/heating for operation collectively.

Table 16-3 Temperature difference between set and inlet temperature and points

Temperature difference between set and inlet temperature	Temperature difference and points	
	$0 \leq  \Delta t  < 1.5$	$1.5 \leq  \Delta t $
Set temperature $\leq$ Inlet temperature	Keeping present state	Cooling operation
Set temperature $>$ Inlet temperature	Keeping present state	Heating operation

#### Notice

- This function is only applicable to the indoor units connected to M-NET outdoor unit, but not covering the indoor units connected to K-control outdoor unit and A-control outdoor unit.
- The indoor units under stopping or fan operation are out of the object for changeover. When setting the [Representation group mode], the control will be performed automatically with the [Auto change mode] if the typical group is stopped or under fan operation.
- Since the operation mode is determined by judging the status of each indoor unit comprehensively under the [Auto change mode], comfort may not be maintained at the surrounding of the air conditioner partially. In such case, use a proper air conditioner as the typical group under the [Representation group mode].

**Mitsubishi Electric**  
**Air Conditioning Network System**  
**Centralized Controller G-50A and**  
**Integrated Centralized Control Software TG-2000A**  
**Technical Manual**

