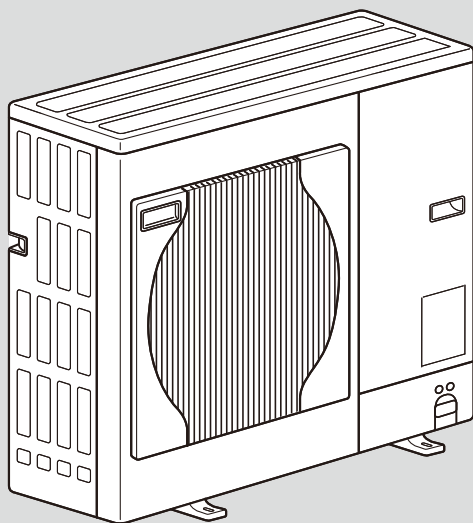


# PARTS CATALOG

**R410A**
**Outdoor unit  
[Model Names]**
**[Service Ref.]**
**PUHZ-SP100VHA    PUHZ-SP100VHA.UK**
**PUHZ-SP125VHA    PUHZ-SP125VHA.UK**
**PUHZ-SP140VHA    PUHZ-SP140VHA.UK**
**PUHZ-SP100YHA    PUHZ-SP100YHA.UK**
**PUHZ-SP125YHA    PUHZ-SP125YHA.UK**
**PUHZ-SP140YHA    PUHZ-SP140YHA.UK**

Note:

- RoHS compliant products have <G> mark on the spec name plate.


**PUHZ-SP100VHA.UK  
PUHZ-SP100YHA.UK**
**CONTENTS**

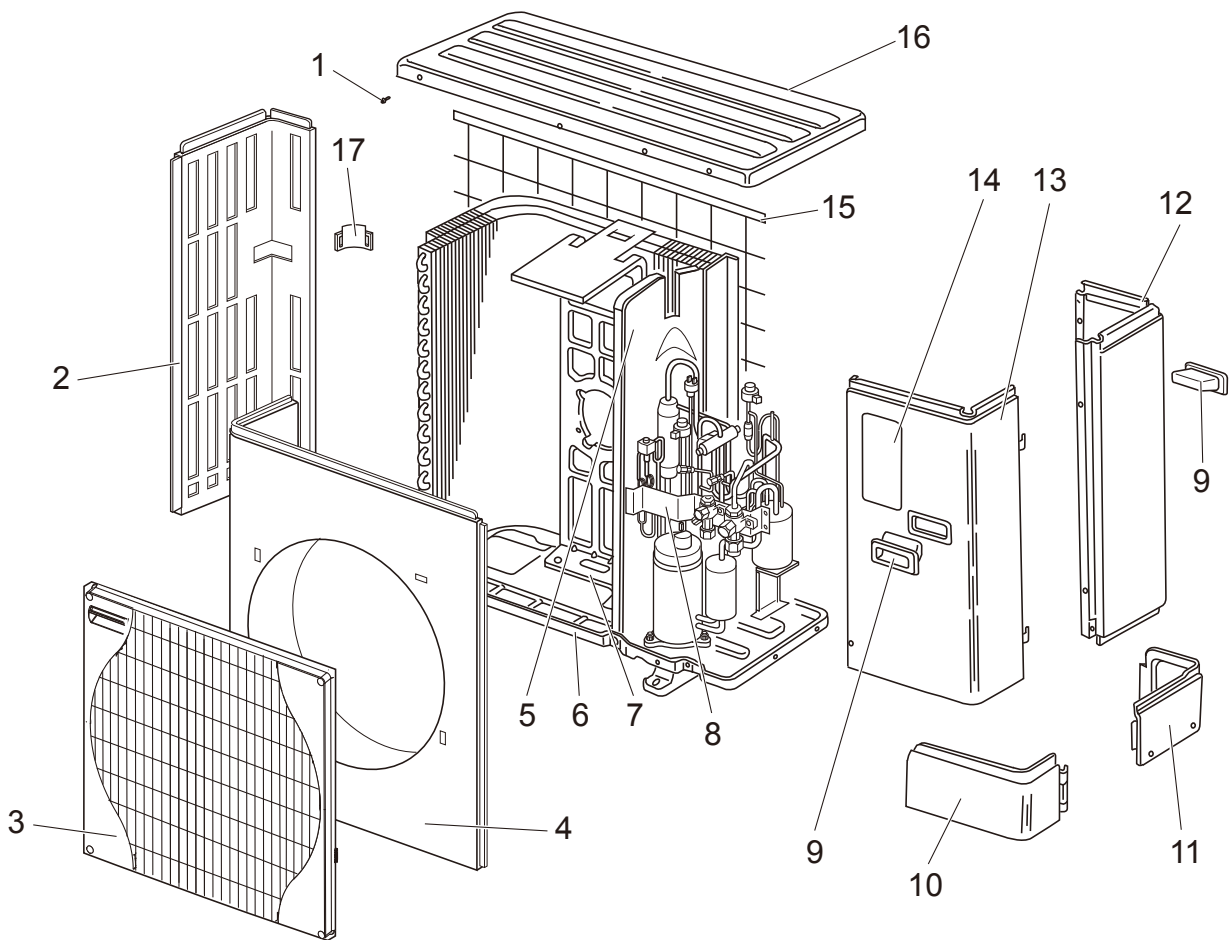
1. RoHS PARTS LIST..... 2

**SERVICE MANUAL (OCH566)**

## STRUCTURAL PARTS

PUHZ-SP100VHA.UK

PUHZ-SP100YHA.UK



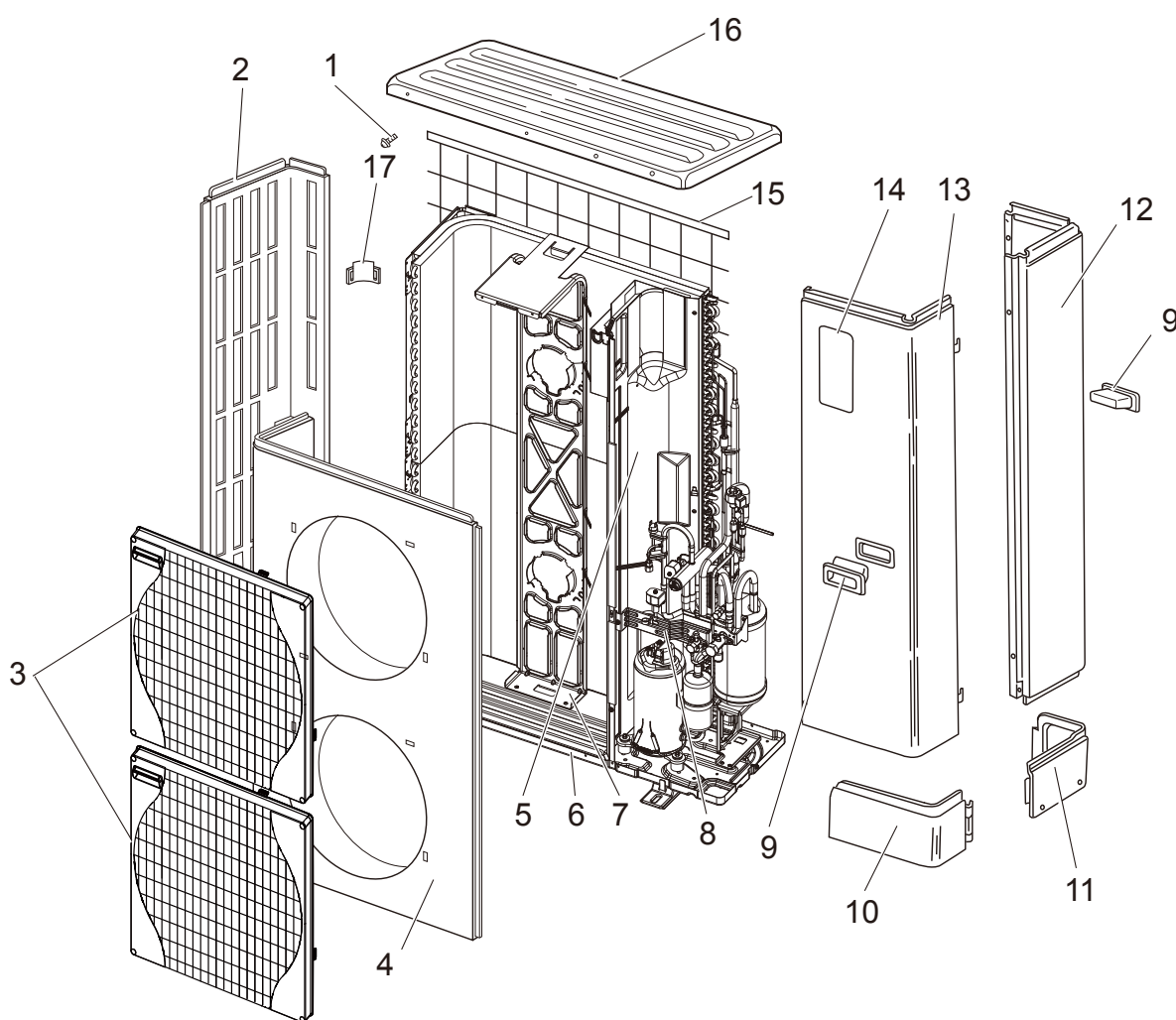
# RoHS PARTS LIST

No.	RoHS	Part No.	Part Name	Specification	Q'ty/unit		Remarks (Drawing No.)	Wiring Diagram Symbol
					PUHZ-SP100VHA.UK	PUHZ-SP100YHA.UK		
1	G	—	F.ST SCREW	(5×12)	31	31	(DG12F536H12-JP)	
2	G	S70 E11 662	SIDE PANEL (L)		1	1		
3	G	S70 E30 675	FAN GRILLE		1	1		
4	G	S70 E30 668	FRONT PANEL		1	1		
5	G	—	SEPARATOR		1		(BK00C456G44)	
	G	—	SEPARATOR			1	(BK00C456G45)	
6	G	S70 E11 686	BASE ASSY		1	1		
7	G	S70 E10 130	MOTOR SUPPORT		1	1		
8	G	S71 0VB 001	VALVE BED ASSY		1	1		
9	G	S70 30L 655	HANDLE		1	1		
	G	S70 40L 655	HANDLE		1	1		
10	G	S70 E30 658	COVER PANEL (FRONT)		1	1		
11	G	S70 E40 658	COVER PANEL (REAR)		1	1		
12	G	S70 E60 662	SIDE PANEL (R)		1	1		
13	G	S70 E80 661	SERVICE PANEL		1	1		
14	G	S70 E10 699	LABEL(INVERTER)		1	1		
15	G	S70 E10 698	REAR GUARD		1	1		
16	G	S70 E20 641	TOP PANEL		1	1		
17	G	S70 E10 655	HANDLE		1	1		

# RoHS PARTS LIST

STRUCTURAL PARTS  
PUHZ-SP125VHA.UK  
PUHZ-SP140VHA.UK

PUHZ-SP125YHA.UK  
PUHZ-SP140YHA.UK



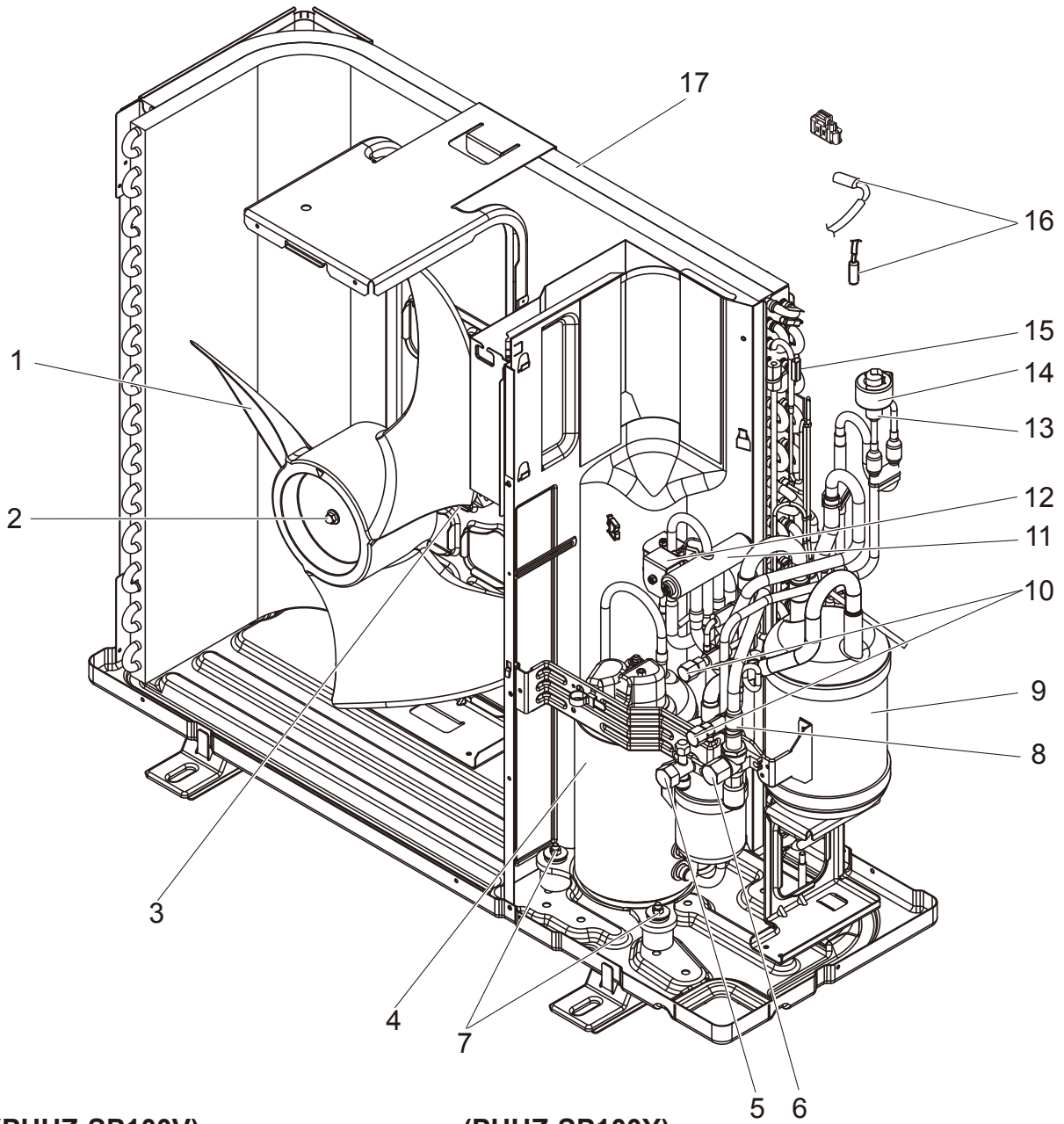
# RoHS PARTS LIST

No.	RoHS	Parts No.	Parts Name	Specification	Q'ty/unit				Remarks (Drawing No.)	Wiring Diagram Symbol
					PUHZ-SP125VHA.UK	PUHZ-SP125YHA.UK	PUHZ-SP140VHA.UK	PUHZ-SP140YHA.UK		
1	G	—	F.ST SCREW	(5×12)	46	46	46	46	(DG12F536H12-JP)	
2	G	S70 E21 662	SIDE PANEL (L)		1	1	1	1		
3	G	S70 E30 675	FAN GRILLE		2	2	2	2		
4	G	S70 E40 668	FRONT PANEL		1	1	1	1		
5	G	—	SEAPARATOR		1	1	1	1	(BK00C456G64)	
6	G	S70 E11 686	BASE ASSY		1	1	1	1		
7	G	S70 E20 130	MOTOR SUPPORT		1	1	1	1		
8	G	S71 0VB 001	VALVE BED ASSY		1	1	1	1		
9	G	S70 30L 655	HANDLE		2	2	2	2		
10	G	S70 E30 658	COVER PANEL (FRONT)		1	1	1	1		
11	G	S70 E40 658	COVER PANEL (REAR)		1	1	1	1		
12	G	S70 E61 662	SIDE PANEL (R)		1	1	1	1		
13	G	S70 E60 661	SERVICE PANEL		1	1	1	1		
14	G	S70 E10 699	LABEL (INVERTER)		1	1	1	1		
15	G	S70 E20 698	REAR GUARD		2	2	2	2		
16	G	S70 E20 641	TOP PANEL		1	1	1	1		
17	G	S70 E10 655	HANDLE		1	1	1	1		

# RoHS PARTS LIST

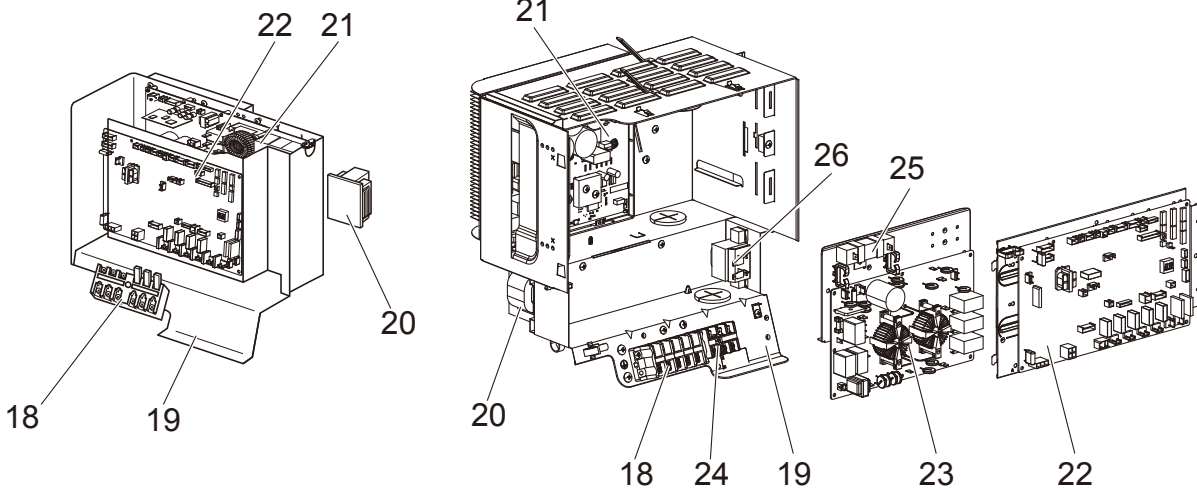
FUNCTIONAL PARTS  
PUHZ-SP100VHA.UK

PUHZ-SP100YHA.UK



(PUHZ-SP100V)

(PUHZ-SP100Y)



# RoHS PARTS LIST

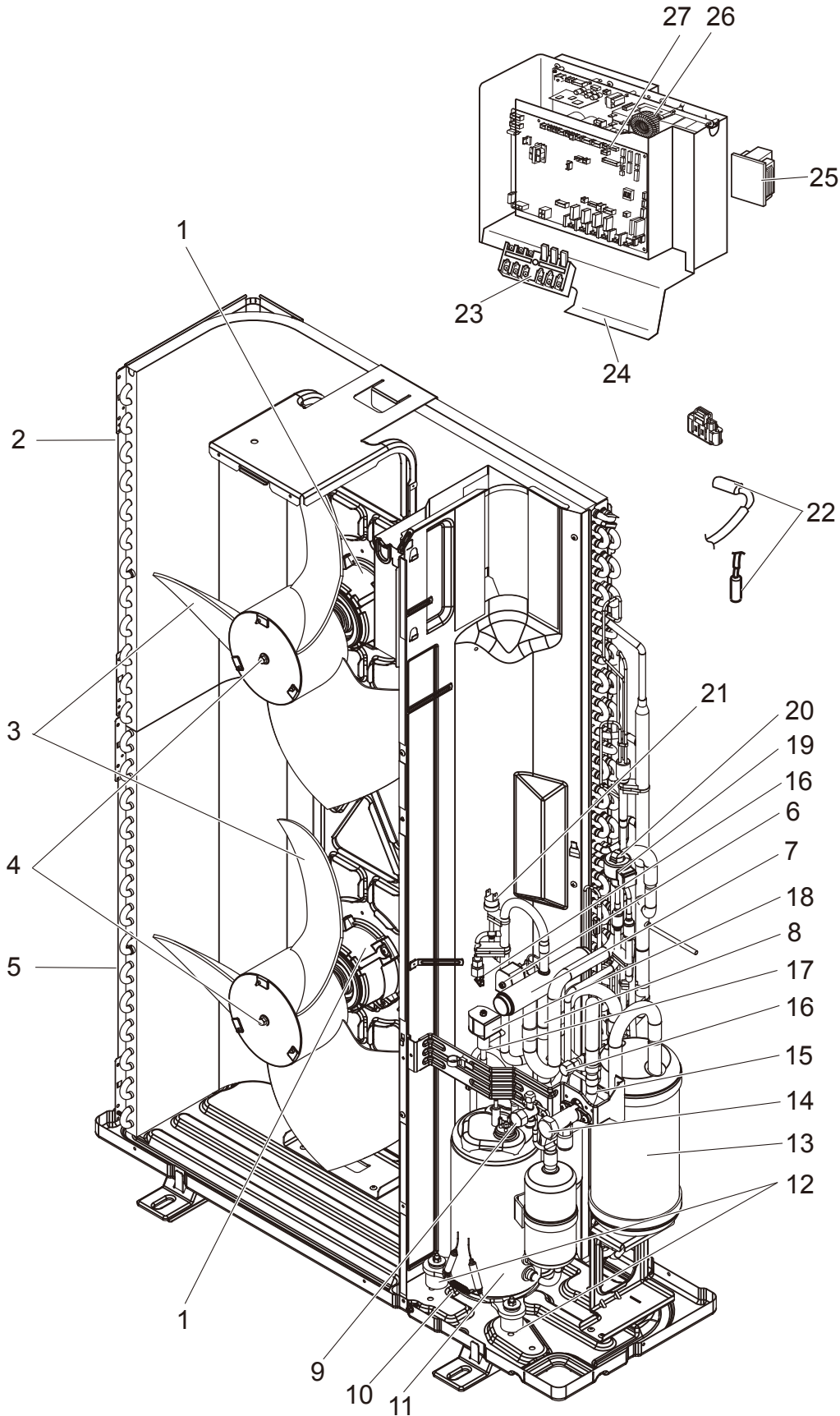
Parts numbers that are circled are not shown in the figures.

No.	RoHS	Parts No.	Parts Name	Specification	Q'ty/unit		Remarks (Drawing No.)	Wiring Diagram Symbol
					PUHZ-SP100VHA.UK	PUHZ-SP100YHA.UK		
1	G	S70 K04 115	PROPELLER FAN		1	1		
2	G	S70 K01 097	NUT		1	1		
3	G	S70 E10 763	FAN MOTOR		1	1		MF1
4	G	S70 E41 400	COMPRESSOR	TNB220FLHMT	1			MC
	G	S70 E43 400	COMPRESSOR	TNB220FLCMT		1		MC
5	G	S70 600 418	STOP VALVE	3/8	1	1		
6	G	S70 E07 411	STOP VALVE	5/8	1	1		
7	G	S70 E01 004	RUBBER MOUNT		3	3		
8	G	S70 36L 450	STRAINER	#50	1	1		
9	G	S70 E10 440	ACCUMULATOR		1	1		
10	G	S70 E02 413	CHARGE PLUG		2	2		
11	G	S70 E04 403	4-WAY VALVE (REVERSING VALVE)		1	1		
12	G	S70 E01 242	SOLENOID VALVE COIL <4-WAY VALVE>		1	1		21S4
13	G	S70 E80 401	EXPANSION VALVE		1	1		
14	G	S70 E81 402	LINEAR EXPANSION VALVE COIL		1	1		LEV-A
15	G	S70 E47 202	THERMISTOR (LIQUID)		1	1		TH3
16	G	S70 E31 202	THERMISTOR (2-PHASE PIPE, AMBIENT)		1	1		TH6, 7
17	G	S70 E50 408	HEAT EXCHANGER		1	1		
18	G	S70 C20 515	TERMINAL BLOCK	6P (L,N,⊕,S1,S2,S3)	1			TB1
	G	S70 E09 716	TERMINAL BLOCK	5P (L1,L2,L3,N,⊕)		1		TB1
19	G	S70 E61 316	CONTROL BOX ASSY		1			
	G	S70 E74 316	CONTROL BOX ASSY			1		
20	G	S70 K40 259	REACTOR		1			DCL
	G	S70 K50 259	REACTOR			1		DCL
21	G	S70 0B6 313	POWER CIRCUIT BOARD		1			P.B.
	G	S70 B20 313	POWER CIRCUIT BOARD			1		P.B.
22	G	S70 B10 315	CONTROLLER CIRCUIT BOARD		1	1		C.B.
23	G	S70 E60 346	NOISE FILTER CIRCUIT BOARD			1		N.F.
24	G	S70 E08 716	TERMINAL BLOCK	3P (S1,S2,S3)		1		TB2
25	G	S70 E20 234	RESISTOR			1		RS
26	G	S70 K90 259	REACTOR			1		ACL4
27	G	S70 E55 202	THERMISTOR (HEATSINK)			1		TH8
28	G	S70 E10 208	HIGH PRESSURE SWITCH	OFF 4.14MPa	1	1		63H
29	G	S70 42H 467	MUFFLER		1	1		
30	G	S70 E45 202	THERMISTOR (COMP. SURFACE)		1	1		TH32
31	G	S70 E05 255	MAIN SMOOTHING CAPACITOR		1			CB

# RoHS PARTS LIST

FUNCTIONAL PARTS  
PUHZ-SP125VHA.UK

PUHZ-SP140VHA.UK





# RoHS PARTS LIST

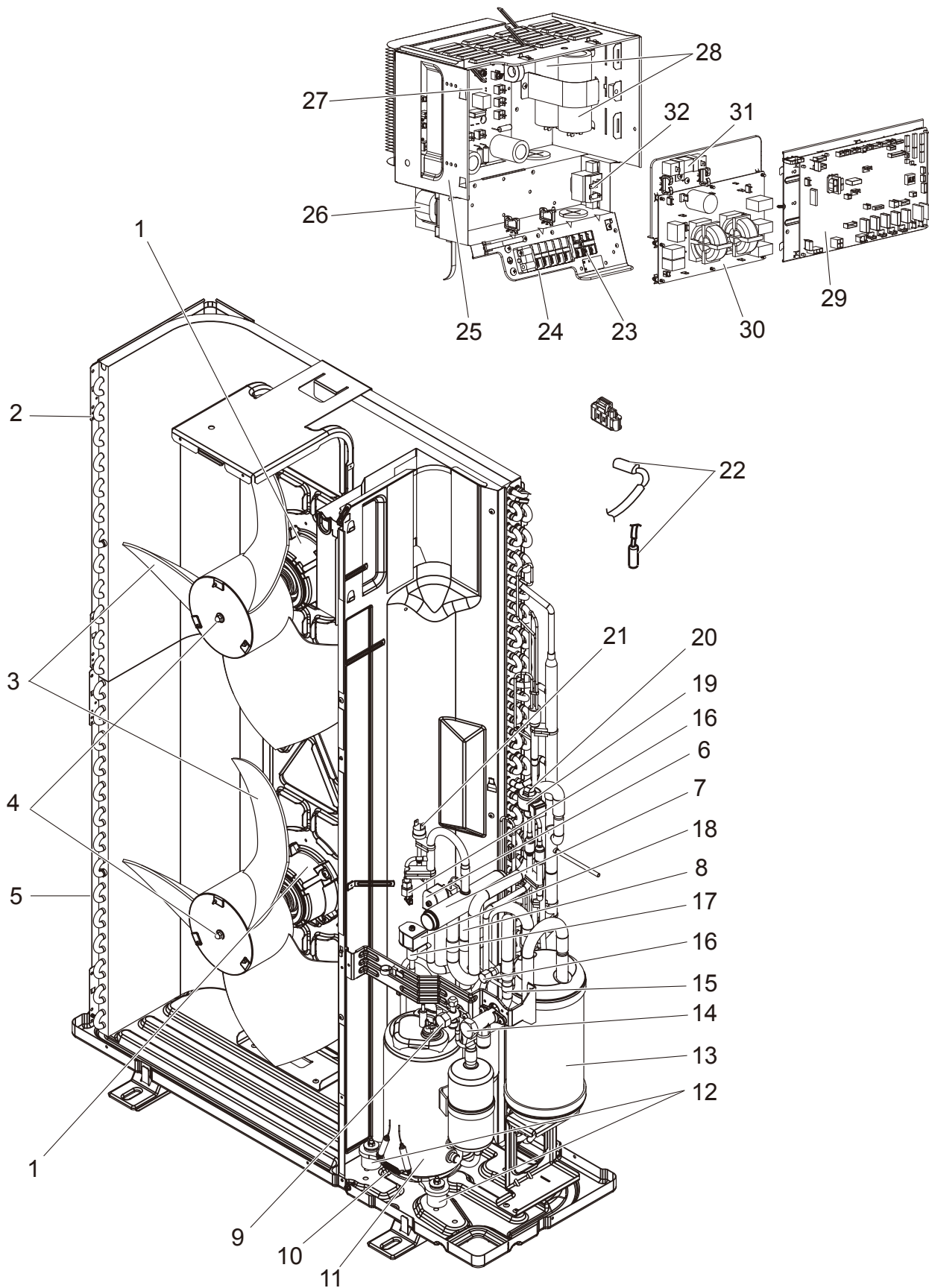
Parts numbers that are circled are not shown in the figures.

No.	RoHS	Parts No.	Parts Name	Specification	Q'ty/unit		Remarks (Drawing No.)	Wiring Diagram Symbol
					PUHZ-SP125VHA.UK	PUHZ-SP140VHA.UK		
1	G	S70 E10 763	FAN MOTOR		2	2		MF1, MF2
2	G	S70 R80 408	HEAT EXCHANGER (TOP)		1	1		
3	G	S70 K04 115	PROPELLER FAN		2	2		
4	G	S70 K01 097	NUT		2	2		
5	G	S70 R90 408	HEAT EXCHANGER (UNDER)		1	1		
6	G	S70 E55 242	SOLENOID VALVE COIL (4-WAY VALVE)		1	1		21S4
7	G	S70 E05 403	4-WAY VALVE (REVERSING VALVE)		1	1		
8	G	S70 42H 467	MUFFLER		1	1		
9	G	S70 600 418	STOP VALVE	3/8	1	1		
10	G	S70 0B4 236	CRANKCASE HEATER		1	1		CH
11	G	S70 E92 400	COMPRESSOR	TNB306FPGMT	1	1		MC
12	G	S70 E01 004	RUBBER MOUNT		3	3		
13	G	S70 E11 440	ACCUMULATOR		1	1		
14	G	S70 E07 411	STOP VALVE	5/8	1	1		
15	G	S70 36L 450	STRAINER	#50	1	1		
16	G	S70 E02 413	CHARGE PLUG		2	2		
17	G	S70 282 403	SOLENOID VALVE (BYPASS VALVE)		1	1		
18	G	S70 451 242	SOLENOID VALVE COIL		1	1		SV
19	G	S70 E81 402	LINEAR EXPANSION VALVE COIL		1	1		LEV-A
20	G	S70 E90 401	EXPANSION VALVE		1	1		
21	G	S70 E10 208	HIGH PRESSURE SWITCH	OFF 4.14MPa	1	1		63H
22	G	S70 E31 202	THERMISTOR (OUTDOOR 2-PHASE PIPE, AMBIENT)		1	1		TH6,7
23	G	S70 C20 515	TERMINAL BLOCK	6P(L,N,⊕,S1,S2,S3)	1	1		TB1
24	G	S70 E62 316	CONTROL BOX ASSY		1			
	G	S70 E63 316	CONTROL BOX ASSY			1		
25	G	S70 K40 259	REACTOR		1	1		DCL
26	G	S70 0B6 313	POWER CIRCUIT BOARD		1	1		P.B.
27	G	S70 0B8 315	CONTROLLER CIRCUIT BOARD		1	1		C.B.
28	G	S70 E46 202	THERMISTOR (COMP.SURFACE)		1	1		TH32
29	G	S70 E37 202	THERMISTOR (OUTDOOR PIPE)		1	1		TH3
30	G	S70 E05 255	MAIN SMOOTHING CAPACITOR		1	1		CB

# RoHS PARTS LIST

FUNCTIONAL PARTS  
PUHZ-SP125YHA.UK

PUHZ-SP140YHA.UK



# RoHS PARTS LIST

Parts numbers that are circled are not shown in the figures.

No.	RoHS	Parts No.	Parts Name	Specification	Q'ty/unit		Remarks (Drawing No.)	Wiring Diagram Symbol	
					PUHZ-SP125YHA.UK	PUHZ-SP140YHA.UK			
1	G	S70 E10 763	FAN MOTOR			2	2		MF1, MF2
2	G	S70 R80 408	HEAT EXCHANGER (TOP)			1	1		
3	G	S70 K04 115	PROPELLER FAN			2	2		
4	G	S70 K01 097	NUT			2	2		
5	G	S70 R90 408	HEAT EXCHANGER (UNDER)			1	1		
6	G	S70 E55 242	SOLENOID COIL (4-WAY VALVE)			1	1		21S4
7	G	S70 E05 403	4-WAY VALVE (REVERSING VALVE)			1	1		
8	G	S70 42H 467	MUFFLER			1	1		
9	G	S70 600 418	STOP VALVE	3/8		1	1		
10	G	S70 0B4 236	CRANKCASE HEATER			1	1		CH
11	G	S70 E93 400	COMPRESSOR	TNB306FPNMT		1	1		MC
12	G	S70 E01 004	RUBBER MOUNT			3	3		
13	G	S70 E11 440	ACCUMULATOR			1	1		
14	G	S70 E07 411	STOP VALVE	5/8		1	1		
15	G	S70 36L 450	STRAINER	#50		1	1		
16	G	S70 E02 413	CHARGE PLUG			2	2		
17	G	S70 282 403	SOLENOID VALVE (BYPASS VALVE)			1	1		
18	G	S70 451 242	SOLENOID VALVE COIL			1	1		SV
19	G	S70 E81 402	LINEAR EXPANSION VALVE COIL			1	1		LEV-A
20	G	S70 E90 401	EXPANSION VALVE			1	1		
21	G	S70 E10 208	HIGH PRESSURE SWITCH	OFF 4.14MPa		1	1		63H
22	G	S70 E31 202	THERMISTOR (OUTDOOR 2-PHASE PIPE, AMBIENT)			1	1		TH6,7
23	G	S70 E08 716	TERMINAL BLOCK	3P (S1,S2,S3)		1	1		TB2
24	G	S70 E09 716	TERMINAL BLOCK	5P (L1,L2,L3,N,⊕)		1	1		TB1
25	G	S70 E72 316	CONTROL BOX ASSY			1			
	G	S70 E73 316	CONTROL BOX ASSY				1		
26	G	S70 K50 259	REACTOR			1	1		DCL
27	G	S70 0B8 313	POWER CIRCUIT BOARD			1	1		P.B.
28	G	S70 E61 255	MAIN SMOOTHING CAPACITOR			2	2		CB1,2
29	G	S70 0B8 315	CONTROLLER CIRCUIT BOARD			1	1		C.B.
30	G	S70 E30 346	NOISE FILTER CIRCUIT BOARD			1	1		N.F.
31	G	S70 E20 234	RESISTOR			1	1		RS
32	G	S70 K90 259	REACTOR			1	1		ACL4
33	G	S70 E37 202	THERMISTOR (OUTDOOR PIPE)			1	1		TH3
34	G	S70 E46 202	THERMISTOR (COMP.SURFACE)			1	1		TH32

**Mr. SLIM™**

**mitsubishi electric corporation**

HEAD OFFICE : TOKYO BLDG., 2-7-3, MARUNOUCHI, CHIYODA-KU, TOKYO 100-8310, JAPAN