



# PARTS CATALOG

**R410A**

Outdoor unit

[Model Name]

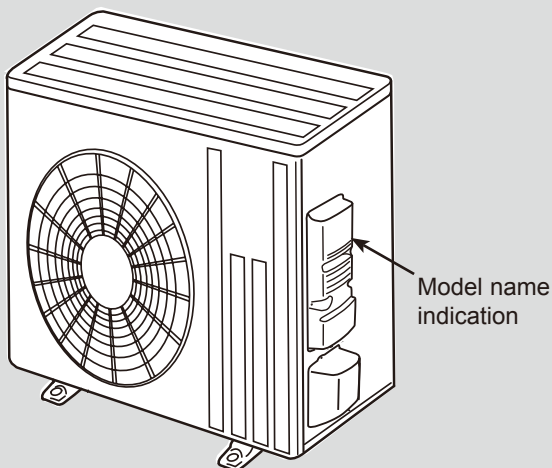
SUZ-SA71VA

[Service Ref.]

**SUZ-SA71VA.TH**

**Note:**

- RoHS compliant products have <G> mark on the spec name plate.
- For servicing of RoHS compliant products, refer to the RoHS Parts List.



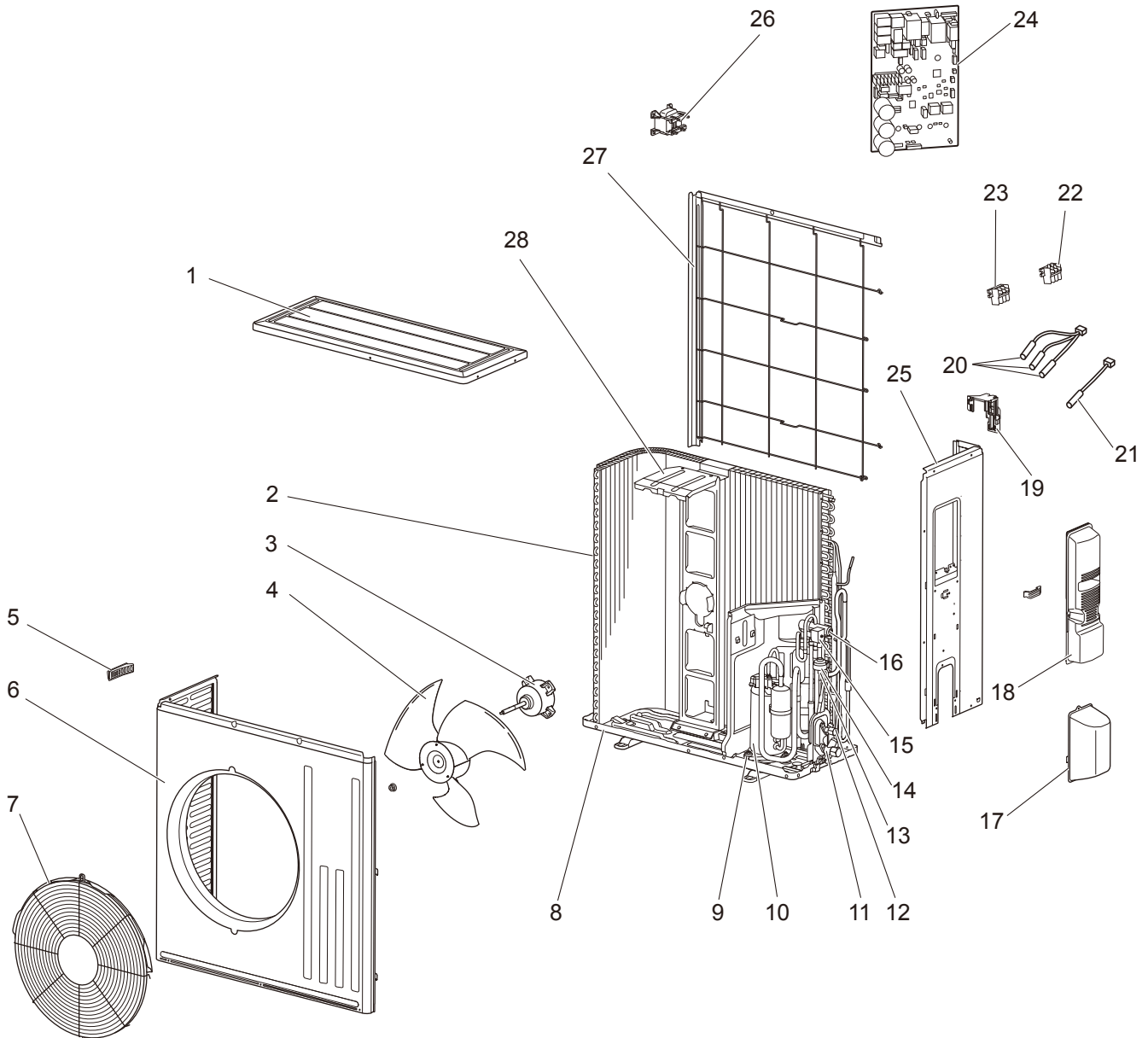
## CONTENTS

1. RoHS PARTS LIST..... 2

**SERVICE MANUAL (OCH561)**

SUZ-SA71VA.TH

OUTDOOR UNIT STRUCTURAL PARTS, ELECTRICAL PARTS AND FUNCTIONAL PARTS



# RoHS PARTS LIST

SUZ-SA71VA.TH

## OUTDOOR UNIT STRUCTURAL PARTS, ELECTRICAL PARTS AND FUNCTIONAL PARTS

Parts numbers that are circled are not shown in the illustration.

No.	RoHS	Parts No.	Parts Name	Symbol in Wiring Diagram	Q'ty/unit		Remarks
						SUZ-SA71VA.TH	
1	G	E12 F28 297	TOP PANEL			1	
2	G	E17 806 630	OUTDOOR HEAT EXCHANGER			1	
3	G	E12 F28 301	OUTDOOR FAN MOTOR	MF		1	
4	G	E12 F28 501	PROPELLER FAN			1	
5	G	E12 817 009	HANDLE			1	
6	G	E12 F28 232	CABINET			1	
7	G	E12 F73 521	FAN GUARD			1	
8	G	E12 F28 290	BASE			1	
9	G	E12 C34 506	COMPRESSOR RUBBER SET			3	3 RUBBERS/SET
10	G	E12 J40 900	COMPRESSOR	MC		1	SNB172FEKMT
11	G	E12 F28 661	STOP VALVE(GAS)			1	φ15.88
12	G	E12 F29 662	STOP VALVE(LIQUID)			1	φ9.52
13	G	E12 853 640	EXPANSION VALVE			1	
14	G	E12 F28 493	EXPANSION VALVE COIL	LEV		1	
15	G	E12 F28 490	R.V.COIL	21S4		1	
16	G	E12 C18 961	4-WAY VALVE			1	
17	G	E12 F28 650	VALVE COVER			1	
18	G	E12 F28 245	SERVICE PANEL			1	
19	G	E12 F28 079	THERMO HOLDER			1	
20	G	E12 F28 308	THERMISTOR SET	RT61 RT62 RT68		1	DEFROST, DISCHARGE OUTDOOR HEAT EXCHANGER TEMPERATURE
21	G	E12 F28 309	AMBIENT TEMP. THERMISTOR	RT65		1	
22	G	E12 F28 374	TERMINAL BLOCK	TB1		1	3P (L, N, ⊕ )
23	G	E12 F29 374	TERMINAL BLOCK	TB2		1	3P (S1, S2, S3)
24	G	E17 905 451	INVERTER P.C. BOARD			1	Including heat sink and RT64
25	G	E12 F28 233	BACK PANEL (OUT)			1	
26	G	E12 F28 337	REACTOR	L61		1	
27	G	E12 L87 523	CONDENSER NET			1	
28	G	E12 F28 515	MOTOR SUPPORT			1	
29	G	E12 527 936	CAPILLARY TUBE			1	φ4.0 × φ2.4 × 100
30	G	E12 F28 704	DRAIN SOCKET			1	

**Mr. SLIM™**

**mitsubishi electric corporation**

HEAD OFFICE: TOKYO BLDG., 2-7-3, MARUNOUCHI, CHIYODA-KU, TOKYO100-8310, JAPAN

---