

SPLIT-TYPE, HEAT PUMP AIR CONDITIONERS
SPLIT-TYPE, AIR CONDITIONERS

June 2014

No. OCB565

REVISED EDITION-A

PARTS CATALOG

Series PLA Ceiling Cassettes R410A

Indoor unit
[Model Name]
PLA-SP71BA

[Service Ref.]
PLA-SP71BA.UK

PLA-SP100BA

PLA-SP100BA.UK

PLA-SP125BA

PLA-SP125BA.UK

PLA-SP140BA

PLA-SP140BA.UK

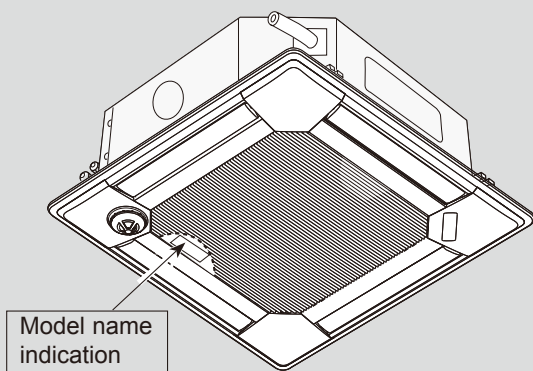
Revision:

- Corrected and updated few parts numbers listed in page 3 and 4 in REVISED EDITION-A.
- Some other description have been also modified.

- Please void OCB565.

Note:

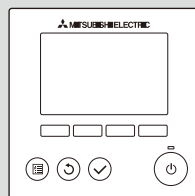
- RoHS compliant products have <G> mark on the spec name plate.



INDOOR UNIT



WIRELESS REMOTE
CONTROLLER



WIRED REMOTE
CONTROLLER

CONTENTS

1. RoHS PARTS LIST2

SERVICE MANUAL (OCH565)

PANEL PARTS

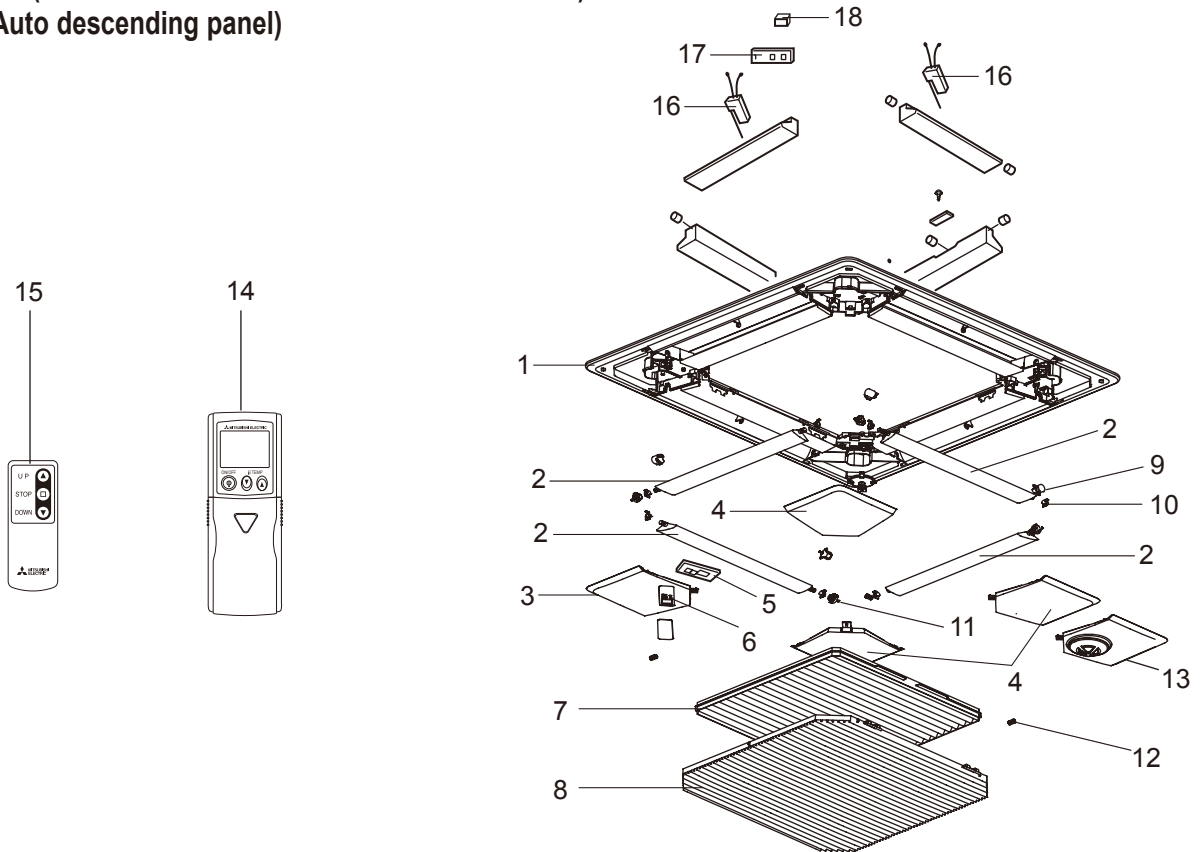
PLP-6BA (Standard)

PLP-6BAE (i-see sensor)

PLP-6BALM (Wireless remote controller)

PLP-6BALME (i-see sensor with wireless remote controller)

PLP-6BAJ (Auto descending panel)



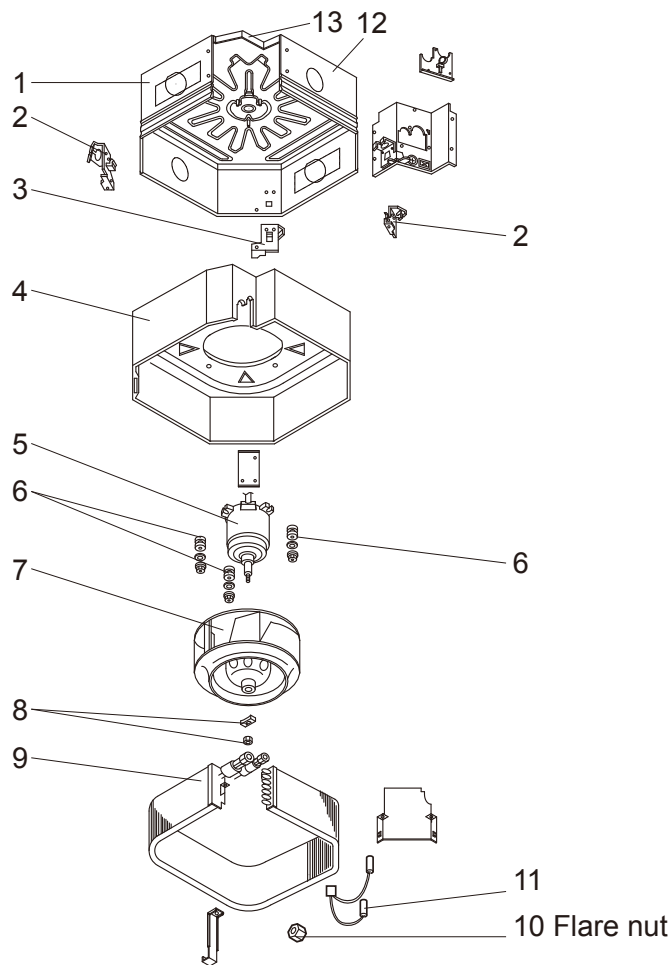
Parts numbers that are circled are not shown in the illustration.

No.	RoHS	Parts No.	Parts Name	Specification	Q'ty/unit					Remarks (Drawing No.)	Wiring Diagram Symbol	Recom- mended Q'ty
					PLP- 6							
					BA	BAE	BALM	BALME	BAJ			
1	G	S70 E20 003	AIR OUTLET GRILLE		1	1	1	1	1			
2	G	S70 E20 002	VANE ASSY		4	4	4	4	4			
3	G	S70 E31 638	CORNER PANEL (L)		1	1						
	G	S70 E41 638	CORNER PANEL (L)				1	1	1			
4	G	S70 E20 638	CORNER PANEL		3	3	3	3	3			
5	G	S70 E20 317	WIRELESS ADAPTER				1	1	1		W.B	
6	G	S70 E50 658	RECEIVER				1	1	1		RU	
7	G	S70 E20 500	L. L. FILTER-A		1	1	1	1	1			
8	G	S70 E20 691	GRILLE ASSY		1	1	1	1				
	G	S70 E30 691	GRILLE ASSY						1			
9	G	S70 E00 223	STEPPING MOTOR		4	4	4	4	4		MV	
10	G	S70 E00 063	VANE BUSH-A		8	8	8	8	8			
11	G	S70 E00 040	GEAR (Vane)		4	4	4	4	4			
12	G	S70 E01 040	GEAR (S/M)		4	4	4	4	4			
13	G	—	I-SEE SENSOR	PAC-SA1ME-E			1	1			Optional parts	
14	G	S70 E40 714	REMOTE CONTROLLER	PAR-SL97A-E			1	1				
15	G	S70 E60 714	REMOTE CONTROLLER						1			
16	G	S70 0B0 213	MOTOR BOX						2		UK1	
17	G	S70 0B6 310	CONTROLLER BOARD						1		U.B	
18	G	S70 0B0 512	LIMIT SWITCH						1		LS1	
19	G	S70 E20 305	CABLE ASSY				1	1	1		for W.B.	
20	G	S70 E20 673	SCREW ASSY		1	1			1		Accessory	
	G	S70 E30 673	SCREW ASSY				1	1			Accessory	

RoHS PARTS LIST

STRUCTURAL AND FUNCTIONAL PARTS

PLA-SP71BA.UK
 PLA-SP100BA.UK
 PLA-SP125BA.UK
 PLA-SP140BA.UK

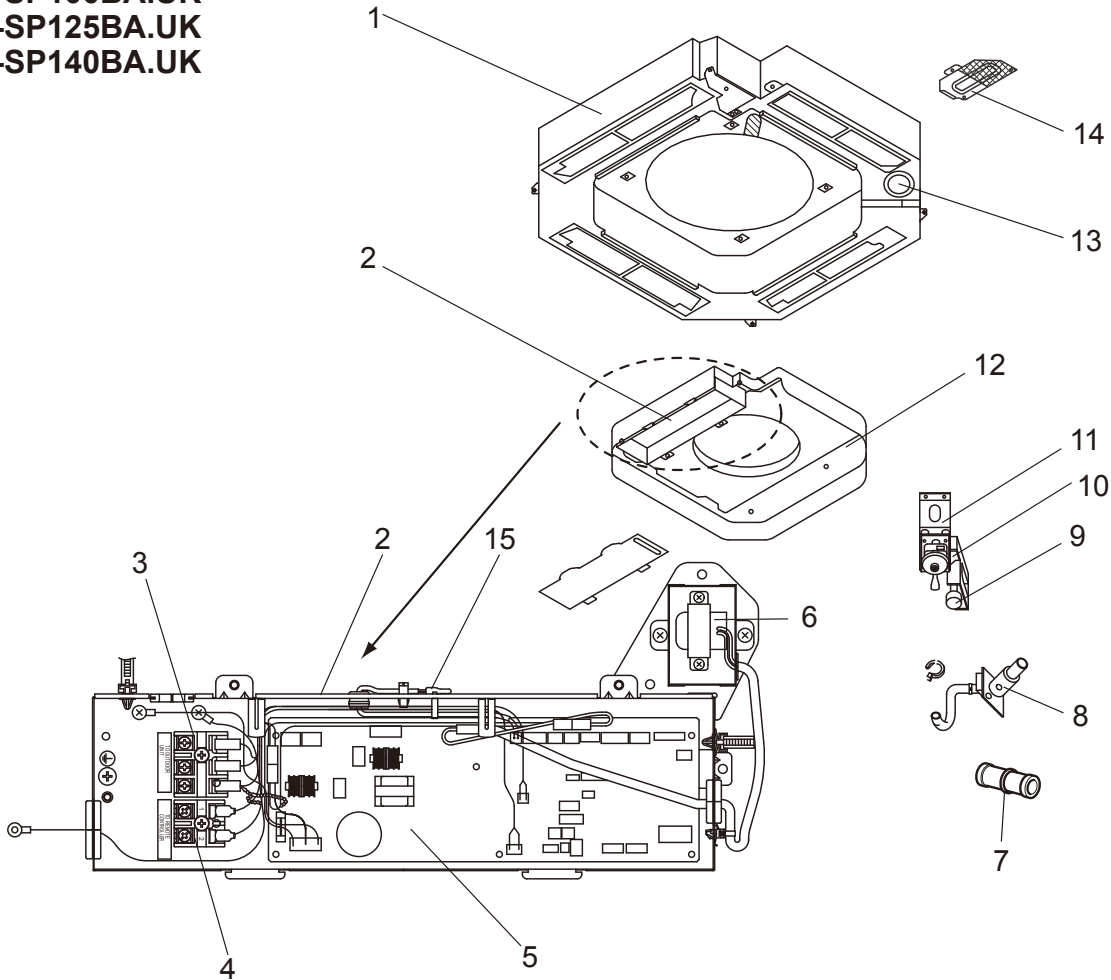


No.	RoHS	Parts No.	Parts Name	Specification	Q'ty/unit				Remarks (Drawing No.)	Wiring Diagram Symbol
					PLA-SP-BA.UK					
					71	100	125	140		
1	G	S70 0B3 688	DRUM 2 ASSY		1					
	G	S70 0B4 688	DRUM 2 ASSY			1	1	1		
2	2	S70 0B2 130	LEG 1A		2	2	2	2		
3	G	S70 0B1 130	LEG 1B		1	1	1	1		
4	G	S70 0B1 659	INNER COVER ASSY - S		1					
	G	S70 0B2 659	INNER COVER ASSY - L			1	1	1		
5	G	S70 0B3 762	FAN MOTOR	(DC)-S	1					MF
	G	S70 0B2 762	FAN MOTOR	(DC)-M		1	1	1		MF
6	G	S70 0B1 105	MOTOR MOUNT		3	3	3	3		
7	G	S70 0B3 114	TURBO FAN		1					
	G	S70 0B2 114	TURBO FAN			1	1	1		
8	G	S70 10B 097	SPL WASHER / NUT		1					
	G	S70 08K 097	SPL WASHER / NUT			1	1	1		
9	G	S70 0B2 480	HEAT EXCHANGER		1					
	G	S70 0B3 480	HEAT EXCHANGER			1				
	G	S70 0B4 480	HEAT EXCHANGER				1			
	G	S70 0B8 480	HEAT EXCHANGER					1		
10	G	S70 E14 097	FLARE NUT (LIQUID)	3/8'	1	1	1	1		
	G	S70 E15 097	FLARE NUT (GAS)	5/8'	1	1	1	1		
11	G	S70 0B2 202	THERMISTOR		1	1	1	1		TH2/TH5
12	G	S70 0B1 688	DRUM 1 ASSY		1					
	G	S70 0B2 688	DRUM 1 ASSY			1	1	1		
13	G	S70 0B1 687	BASE		1	1	1	1		

RoHS PARTS LIST

FUNCTIONAL AND ELECTRICAL PARTS

PLA-SP71BA.UK
 PLA-SP100BA.UK
 PLA-SP125BA.UK
 PLA-SP140BA.UK



No.	RoHS	Parts No.	Parts Name	Specification	Q'ty/unit				Remarks (Drawing No.)	Wiring Diagram Symbol
					PLA-SP-BA.UK					
					71	100	125	140		
1	G	S70 0B1 529	DRAIN PAN		1	1	1	1		
2	G	S70 0B5 501	ELECTRICAL CONTROL BOX		1	1	1	1		
3	G	S70 K01 716	TERMINAL BLOCK	3P (S1,S2,S3)	1	1	1	1		TB4
4	G	S70 512 716	TERMINAL BLOCK	2P (1,2)	1	1	1	1		TB5
5	G	S70 B70 310	INDOOR CONTROLLER BOARD		1	1	1	1		I.B
6	G	S70 0B1 259	REACTOR		1	1	1	1		DCL
7	G	S70 29H 523	DRAIN SOCKET		1	1	1	1		
8	G	S70 0B1 527	DRAIN HOSE ASSY (D.PUMP)		1	1	1	1		
9	G	S70 0B1 266	DRAIN SENSOR (FLOAT SWITCH)		1	1	1	1		FS
10	G	S70 0B1 533	DRAIN SENSOR HOLDER		1	1	1	1		
11	G	S70 0B1 355	DRAIN PUMP	220~240v	1	1	1	1	Accessory	DP
12	G	S70 0B1 502	CONTROL COVER ASSY (BELLMOUTH)		1	1	1	1		
13	G	S70 A41 524	DRAIN PLUG		1	1	1	1		
14	G	S70 0B1 663	CORNER COVER		1	1	1	1		
15	G	S70 0B1 202	ROOM TEMPERATURE THERMISTOR	250XAP	1	1	1	1		TH1

Mr. SLIM™

MITSUBISHI ELECTRIC CORPORATION

HEAD OFFICE : TOKYO BLDG., 2-7-3, MARUNOUCHI, CHIYODA-KU, TOKYO 100-8310, JAPAN