

# SERVICE PARTS LIST FOR MITSUBISHI ELECTRIC PACKAGED AIR-CONDITIONERS

**Series : PLFY-P•VLMD-E**

**REVISED**

**Dec. 2012**

**BWE0404H**

<b>INDEX</b>
<b>PLFY-P20VLMD-E</b>
<b>PLFY-P25VLMD-E</b>
<b>PLFY-P32VLMD-E</b>
<b>PLFY-P40VLMD-E</b>
<b>PLFY-P50VLMD-E</b>
<b>PLFY-P63VLMD-E</b>
<b>PLFY-P80VLMD-E</b>
<b>PLFY-P100VLMD-E</b>
<b>PLFY-P125VLMD-E</b>

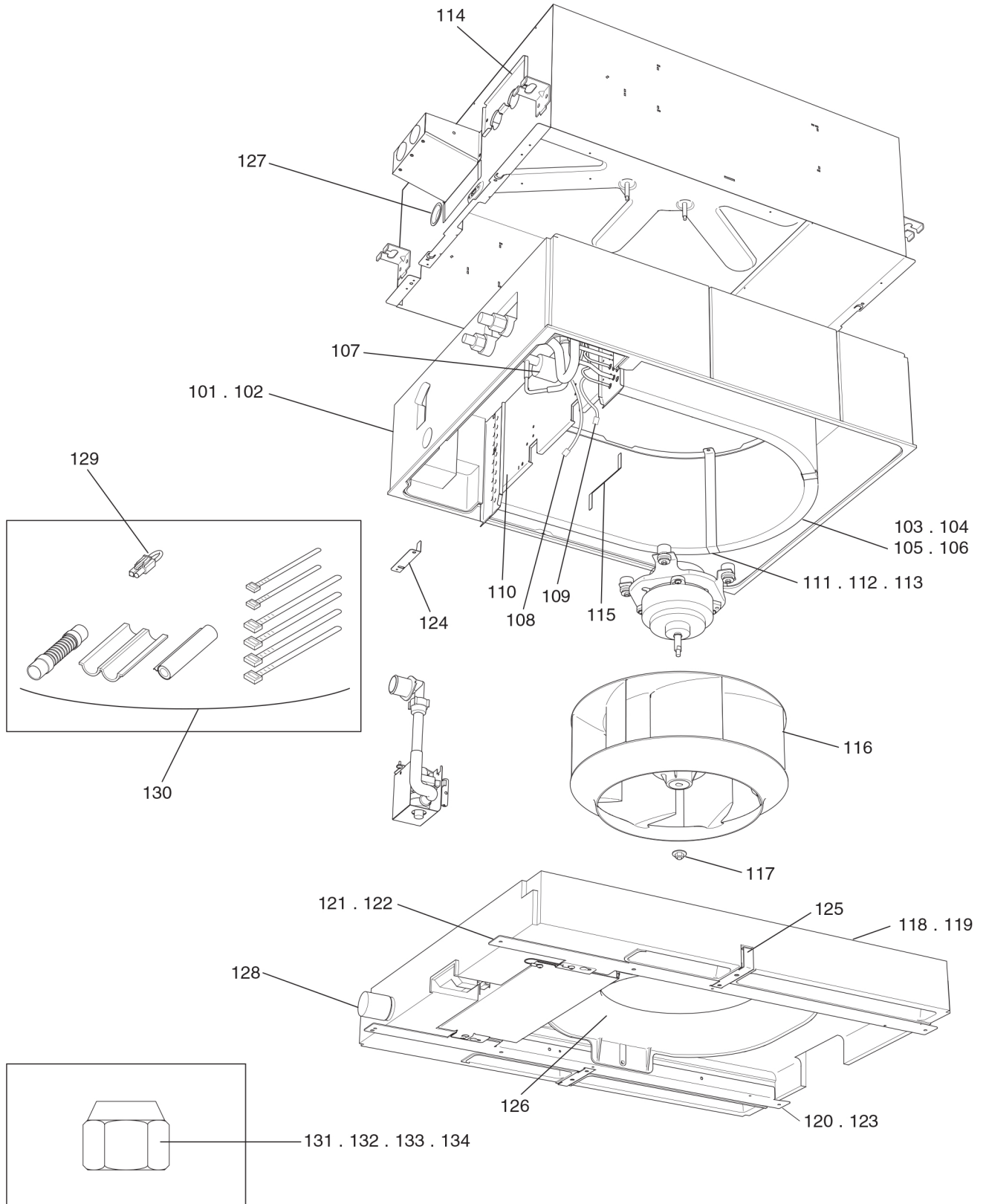
Part information update day : **2012/12/27**

Please change the old catalog (issued June 2011, No.BWE0404G) to this new catalog.  
Content of revision : Some of parts are changed.

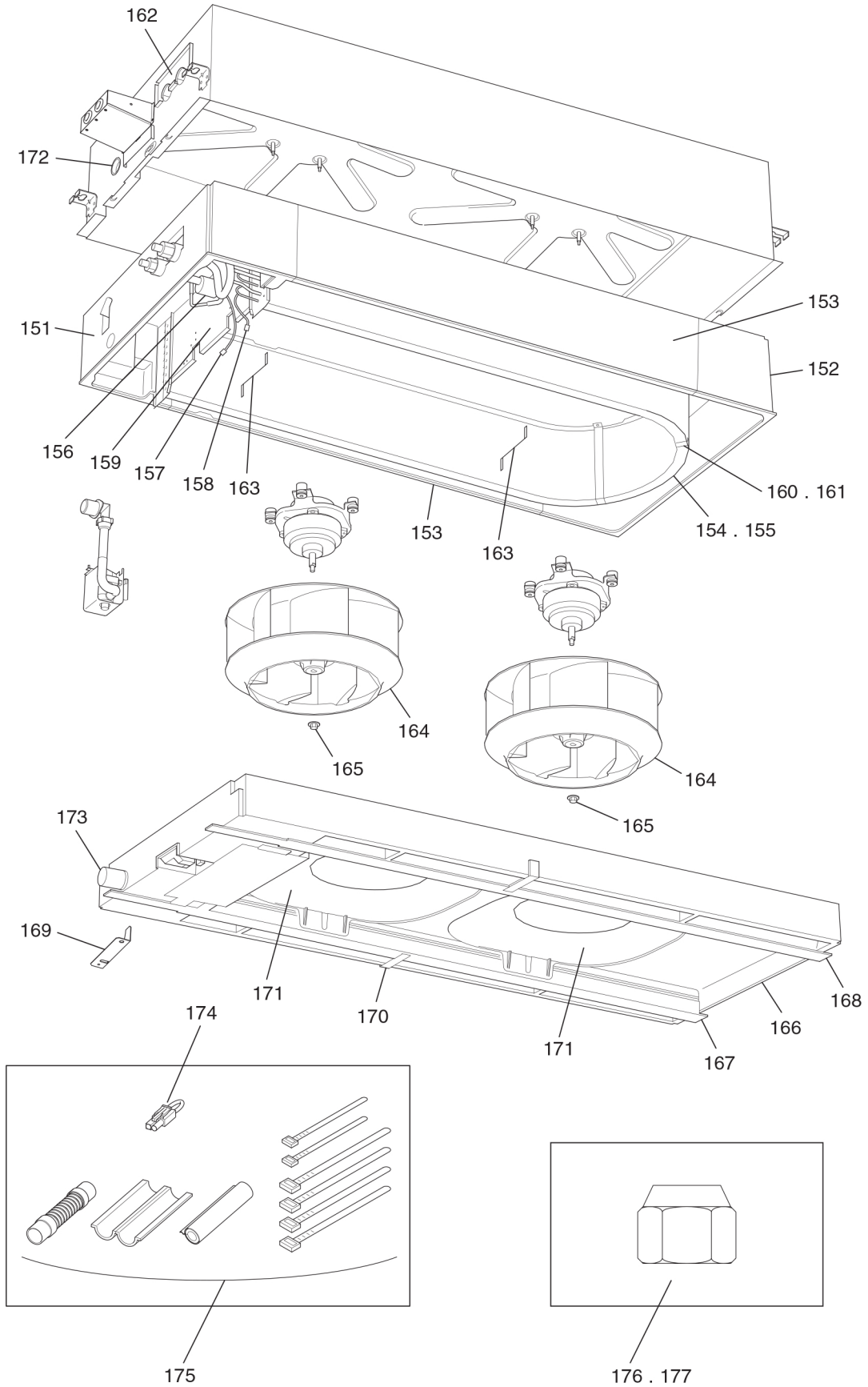


PLFY-P20,P25,P32VLMD-E  
PLFY-P40,P50,P63VLMD-E

### EXTERNAL PARTS (1)









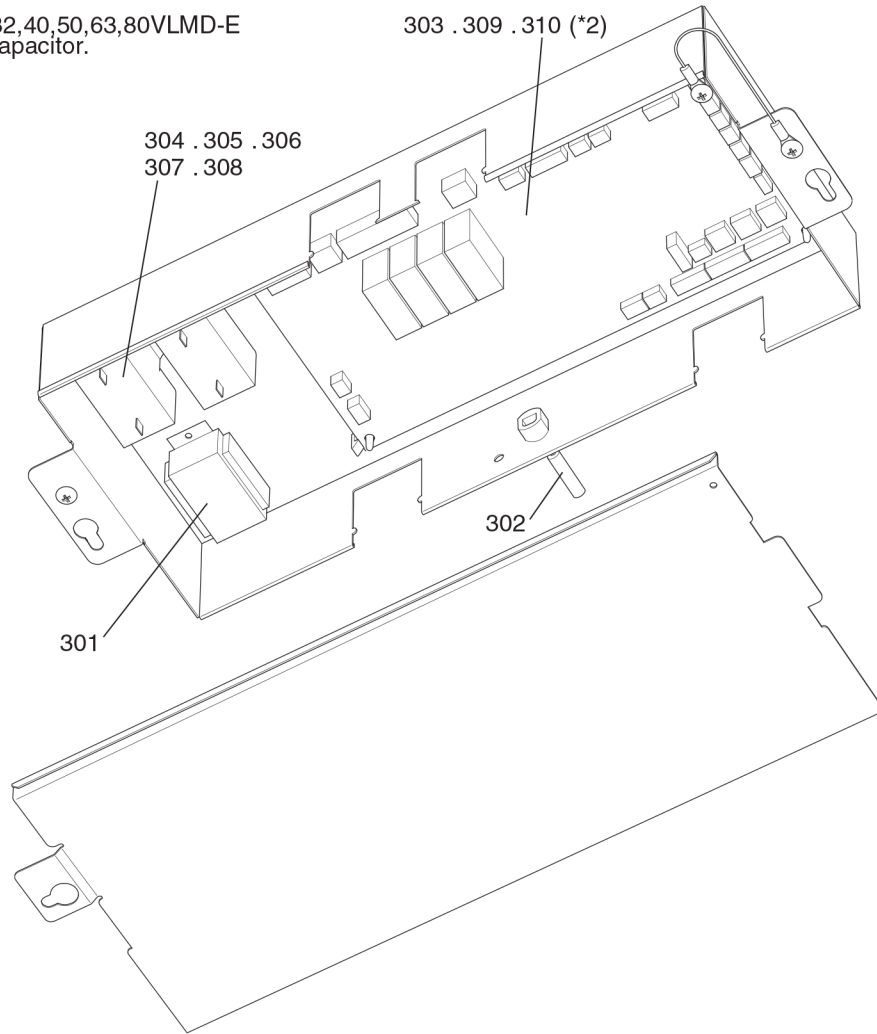




PLFY-P20,P25,P32VLMD-E  
 PLY-P40,P50,P63VLMD-E  
 PLY-P80,P100VLMD-E

CONTROL BOX PARTS (1)

\*PLFY-P20,25,32,40,50,63,80VLMD-E has only one capacitor.



\*2 Parts No. 303 cannot be used with the indoor units with a production number of 04W\*\*\*\*\* or later.

Use parts No. 309 or No. 310 instead.

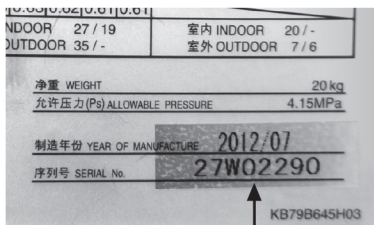
Both parts No. 303 and No. 309 cannot be used with the indoor units with a production number of 2ZW\*\*\*\*\* or later.

Use parts No. 310 instead.

Those parts No. 303, No. 309, and No. 310 can be used with the units with a production number of 93W\*\*\*\*\* or earlier.

If the production number of the indoor unit is not available, procure parts No. 310.

Serial No. of Air Conditioning & Refrigeration Systems Works.



Serial No.

2 7 W 0 2 2 9 0

↑ ↑ ↑ ↑  
 Serial number

Air Conditioning & Refrigeration Systems Works (Wakayama) identification. W stands for W of WAKAYAMA.

↑ ↑  
 Production month

Production **season** of Air Conditioning & Refrigeration Systems Works **April to March**  
 In this case, July / 2012

Production month / season

- 2 4 April / 2012
- 2 5 May / 2012
- 2 6 June / 2012
- 2 7 July / 2012
- 2 8 August / 2012
- 2 9 September / 2012
- 2 X October / 2012
- 2 Y November / 2012
- 2 Z December / 2012
- 2 1 January / 2013
- 2 2 February / 2013
- 2 3 March / 2013
- 3 4 April / 2013
- 3 5 May / 2013

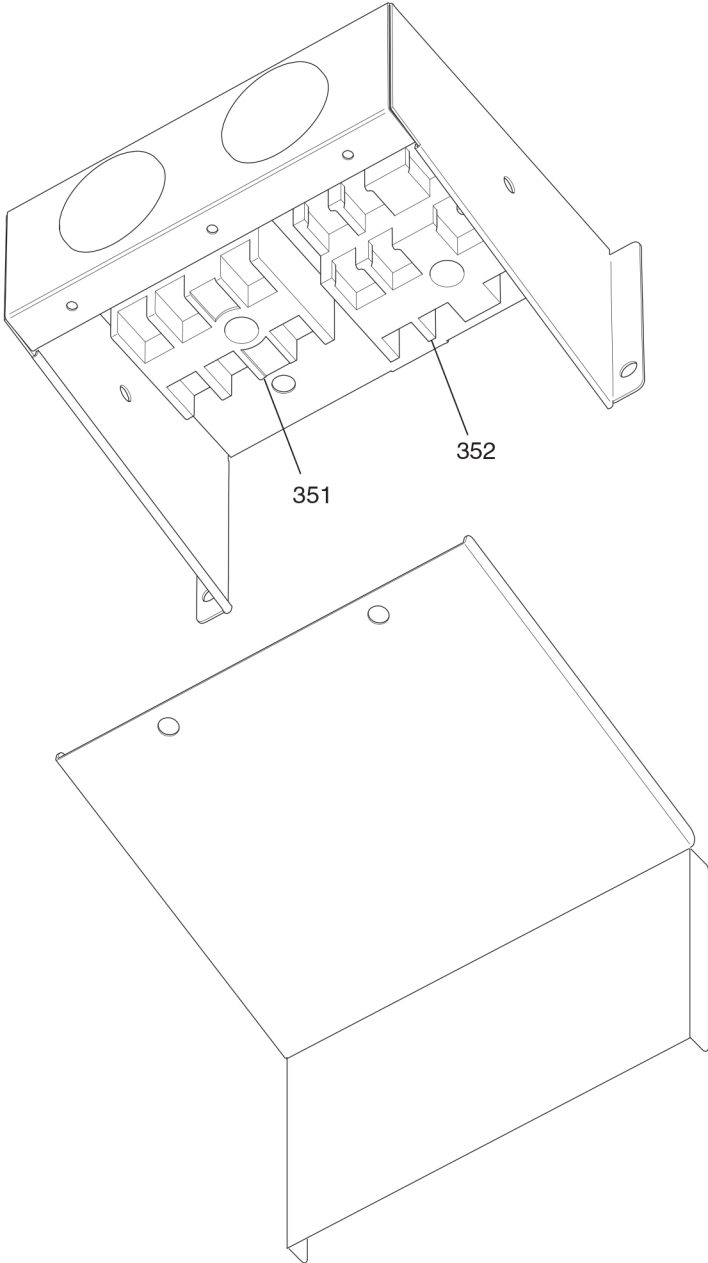






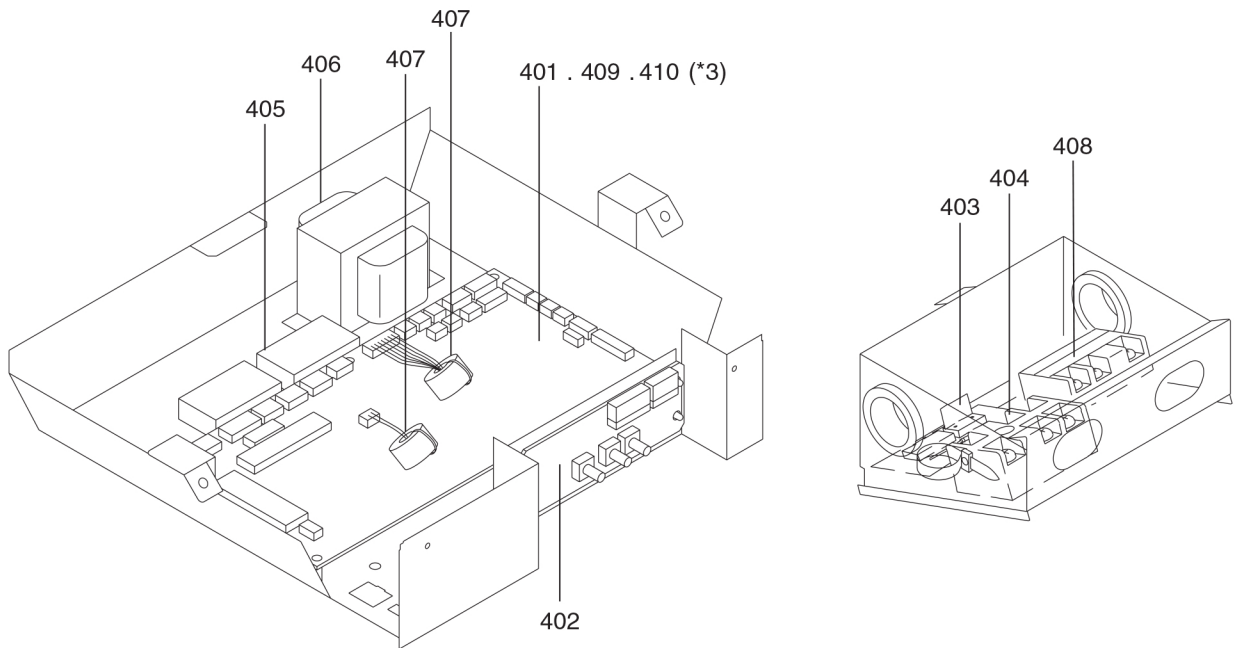
PLFY-P20,P25,P32VLMD-E  
PLFY-P40,P50,P63VLMD-E  
PLFY-P80,P100VLMD-E

CONTROL BOX PARTS (2)



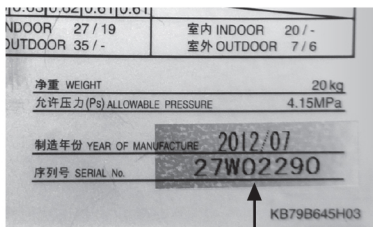






- \*3 Parts No. 401 cannot be used with the indoor units with a production number of 04W\*\*\*\*\* or later.  
Use parts No. 409 or No. 410 instead.
- Both parts No. 401 and No. 409 cannot be used with the indoor units with a production number of 2ZW\*\*\*\*\* or later.  
Use parts No. 410 instead.
- Those parts No. 401, No. 409, and No. 410 can be used with the units with a production number of 93W\*\*\*\*\* or earlier.  
If the production number of the indoor unit is not available, procure parts No. 410.

**Serial No. of Air Conditioning & Refrigeration Systems Works.**



Serial No.

2 7 W 0 2 2 9 0

↑ ↑ ↑ ↑  
Serial number  
Air Conditioning & Refrigeration Systems Works (Wakayama) identification.  
W stands for W of WAKAYAMA.  
↑ ↑  
Production month

Production **season** of Air Conditioning & Refrigeration Systems Works **April to March**  
In this case, July / 2012

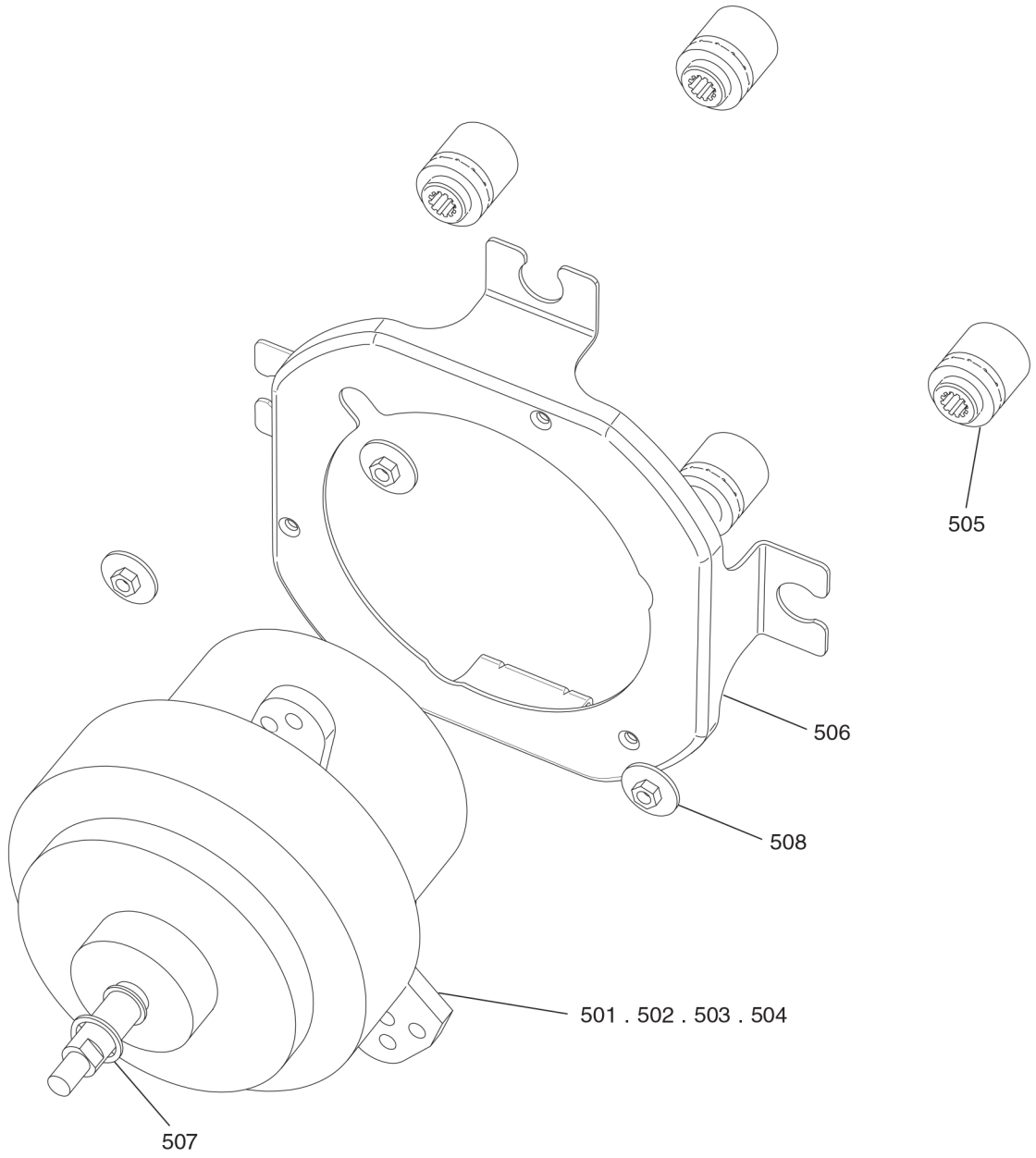
Production month / season

- 2 4 April / 2012
- 2 5 May / 2012
- 2 6 June / 2012
- 2 7 July / 2012
- 2 8 August / 2012
- 2 9 September / 2012
- 2 X October / 2012
- 2 Y November / 2012
- 2 Z December / 2012
- 2 1 January / 2013
- 2 2 February / 2013
- 2 3 March / 2013
- 3 4 April / 2013
- 3 5 May / 2013



PLFY-P20,P25,P32VLMD-E  
PLFY-P40,P50,P63VLMD-E  
PLFY-P80,P100VLMD-E

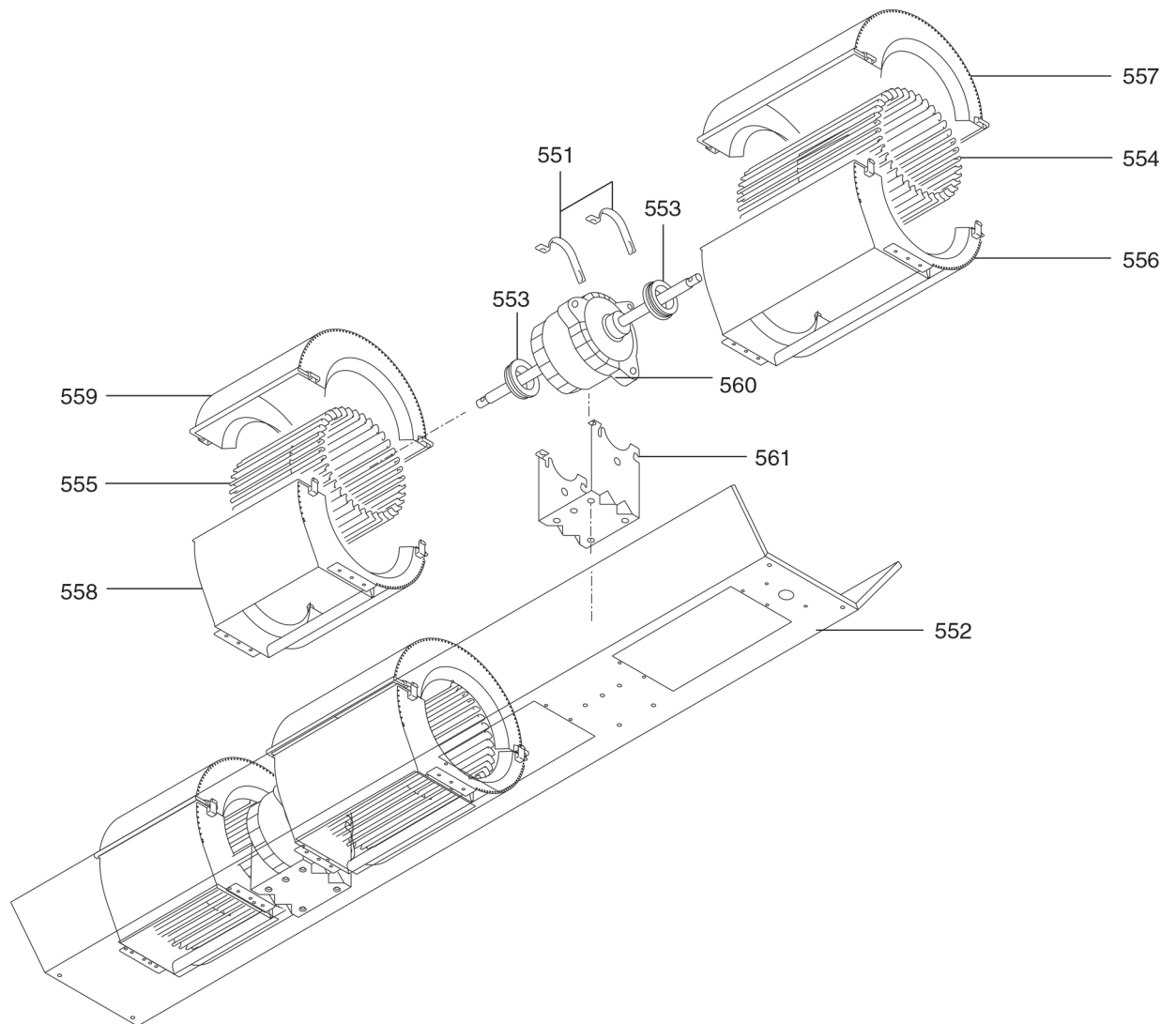
### BLOWER PARTS (1)







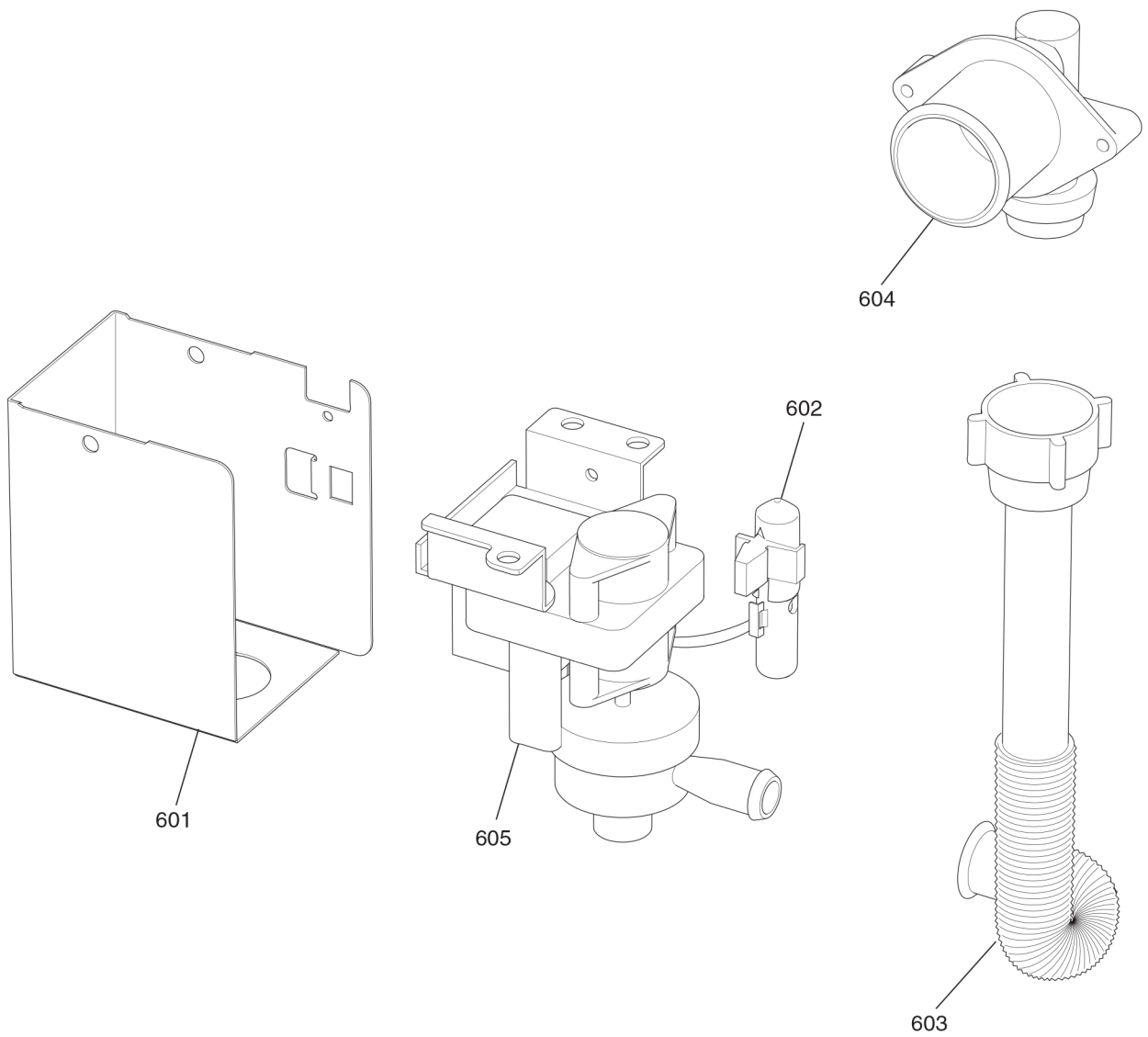






PLFY-P20,P25,P32VLMD-E  
PLFY-P40,P50,P63VLMD-E  
PLFY-P80,P100VLMD-E

## DRAIN PUMP PARTS







**mitsubishi** **ELECTRIC CORPORATION**  
HEAD OFFICE: TOKYO BLDG., 2-7-3, MARUNOUCHI, CHIYODA-KU, TOKYO 100-8310, JAPAN

---

BWE0404H (20121231)