

Air-Conditioners Indispensable Optional Parts

BRANCH BOX

PAC-MK50BC

PAC-MK30BC

ONLY FOR R410A OUTDOOR UNIT**ONLY FOR INDOOR USE**

INSTALLATION MANUAL

For safe and correct use, please read this installation manual thoroughly before installing the air-conditioner unit.

FOR INSTALLER

INSTALLATIONSHANDBUCH

Zum sicheren und ordnungsgemäßen Gebrauch der Klimaanlage das Installationshandbuch gründlich durchlesen.

FÜR INSTALLATEURE

MANUAL D'INSTALLATION

Veillez lire le manuel d'installation en entier avant d'installer ce climatiseur pour éviter tout accident et vous assurer d'une utilisation correcte.

POUR L'INSTALLATEUR

INSTALLATIEHANDLEIDING

Voor een veilig en juist gebruik moet u deze installatiehandleiding grondig doorlezen voordat u de airconditioner installeert.

VOOR DE INSTALLATEUR

MANUAL DE INSTALACIÓN

Para un uso seguro y correcto, lea detalladamente este manual de instalación antes de montar la unidad de aire acondicionado.

PARA EL INSTALADOR

MANUALE DI INSTALLAZIONE

Per un uso sicuro e corretto, leggere attentamente questo manuale di installazione prima di installare il condizionatore d'aria.

PER L'INSTALLATORE

ΕΓΧΕΙΡΙΔΙΟ ΟΔΗΓΙΩΝ ΕΓΚΑΤΑΣΤΑΣΗΣ

Για ασφάλεια και σωστή χρήση, παρακαλείστε διαβάσετε προσεκτικά αυτό το εγχειρίδιο εγκατάστασης πριν αρχίσετε την εγκατάσταση της μονάδας κλιματισμού.

ΓΙΑ ΑΥΤΟΝ ΠΟΥ ΚΑΝΕΙ ΤΗΝ ΕΓΚΑΤΑΣΤΑΣΗ

MANUAL DE INSTALAÇÃO

Para segurança e utilização correctas, leia atentamente este manual de instalação antes de instalar a unidade de ar condicionado.

PARA O INSTALADOR

INSTALLATIONSMANUAL

Læs venligst denne installationsmanual grundigt, før De installerer airconditionanlægget, af hensyn til sikker og korrekt anvendelse.

TIL INSTALLATØREN

INSTALLATIONSMANUAL

Läs denna installationsmanual noga för säkert och korrekt bruk innan luftkonditioneringen installeras.

FÖR INSTALLATÖREN

MONTAJ ELKİTABI

Emniyetli ve doğru biçimde nasıl kullanılacağını öğrenmek için lütfen klima cihazını monte etmeden önce bu elkitabını dikkatle okuyunuz.

MONTÖR İÇİN

РУКОВОДСТВО ПО УСТАНОВКЕ

Для осторожного и правильного использования прибора необходимо тщательно ознакомиться с данным руководством по установке до выполнения установки кондиционера.

ДЛЯ УСТАНОВИТЕЛЯ

English

Deutsch

Français

Nederlands

Español

Italiano

Ελληνικά

Português

Dansk

Svenska

Türkçe

Русский

Contents

1. Safety precautions	2	6. Mounting the Branch Box	7
2. Selecting a location for installation	2	7. Installing refrigerant piping	7
3. Confirming supplied accessories	3	8. Electrical work	9
4. Dimensions and required servicing space of Branch Box	3	9. Test run	13
5. Refrigerant piping	6		

This installation manual is only for the branch box installation. In installing the indoor units and outdoor units, refer to the installation manual attached to each unit.

1. Safety precautions

- ▶ Before installing the unit, make sure you read all the "Safety precautions".
- ▶ Please report to or take consent by the supply authority before connection to the system.
- ▶ PAC-MK*BC series are designed as professional equipment.
- ▶ When receiving electricity from the outdoor unit, applicable standards for the outdoor unit may not be satisfied depending on the indoor unit used.

⚠ Warning:
Describes precautions that must be observed to prevent danger of injury or death to the user.

⚠ Caution:
Describes precautions that must be observed to prevent damage to the unit.

- ⚠ Warning:**
- The unit must not be installed by the user.
 - Ask a dealer or an authorized technician to install the unit.
 - For installation work, follow the instructions in the Installation Manual and use tools and pipe components specifically made for use with refrigerant specified in the outdoor unit installation manual.
 - The unit must be installed according to the instructions in order to minimize the risk of damage from earthquakes, typhoons, or strong winds. An incorrectly installed unit may fall down and cause damage or injuries.
 - The unit must be securely installed on a structure that can sustain its weight.
 - If the air conditioner is installed in a small room, measures must be taken to prevent the refrigerant concentration in the room from exceeding the safety limit in the event of refrigerant leakage. Should the refrigerant leak and cause the concentration limit to be exceeded, hazards due to lack of oxygen in the room may result.
 - Ventilate the room if refrigerant leaks during operation. If refrigerant comes into contact with a flame, poisonous gases will be released.
 - All electric work must be performed by a qualified technician according to local regulations and the instructions given in this manual.
 - Use only specified cables for wiring.
 - The terminal block cover panel of the unit must be firmly attached.
 - Use only accessories authorized by Mitsubishi Electric and ask a dealer or an authorized technician to install them.
 - The user should never attempt to repair the unit or transfer it to another location.
 - After installation has been completed, check for refrigerant leaks. If refrigerant leaks into the room and comes into contact with the flame of a heater or portable cooking range, poisonous gases will be released.
 - Be sure to connect the power supply cords and the connecting wires for the indoor units, outdoor units, and branch boxes directly to the units (no intermediate connections).
Intermediate connections can lead to communication errors if water enters the cords or wires and causes insufficient insulation to ground or a poor electrical contact at the intermediate connection point.
(If an intermediate connection is necessary, be sure to take measures to prevent water from entering the cords and wires.)

After installation work has been completed, explain the "Safety Precautions," use, and maintenance of the unit to the customer according to the information in the Operation Manual and perform the test run to ensure normal operation. Both the Installation Manual and Operation Manual must be given to the user for keeping. These manuals must be passed on to subsequent users.

⚡ : Indicates a part which must be grounded.

⚠ Warning:
Carefully read the labels affixed to the main unit.

- ⚠ Caution:**
- Make sure that the refrigerant pipes are well insulated to prevent condensation.
Incomplete insulation may cause condensation on the surface of pipes, wetting of the ceiling, floor and other important properties.
 - Do not use the unit in an unusual environment. If the air conditioner is installed in areas exposed to steam, volatile oil (including machine oil), or sulfuric gas, areas exposed to high salt content such as the seaside, the performance can be significantly reduced and the internal parts can be damaged.
 - Do not install the unit where combustible gases may leak, be produced, flow, or accumulate. If combustible gas accumulates around the unit, fire or explosion may result.
 - When installing the unit in a hospital or communications office, be prepared for noise and electronic interference. Inverters, home appliances, high-frequency medical equipment, and radio communications equipment can cause the air conditioner to malfunction or breakdown. The air conditioner may also affect medical equipment, disturbing medical care, and communications equipment, harming the screen display quality.
 - Thermal insulation of the refrigerant pipe is necessary to prevent condensation. If the refrigerant pipe is not properly insulated, condensation will be formed.
 - Place thermal insulation on the pipes to prevent condensation. If the drain-pipe is installed incorrectly, water leakage and damage to the ceiling, floor, furniture, or other possessions may result.
 - Do not clean the air conditioner unit with water. Electric shock may result.
 - Tighten all flare nuts to specification using a torque wrench. If tightened too much, the flare nut can break after an extended period.
 - Be sure to install circuit breakers, if not installed, electric shock may result.
 - For the power lines, use standard cables of sufficient capacity. Otherwise, a short circuit, overheating, or fire may result.
 - When installing the power lines, do not apply tension to the cables. If the connections are loosened, the cables can snap or break and overheating or fire may result.
 - Do not connect the ground wire to gas or water pipes, lighting rods, or telephone grounding lines. If the unit is not properly grounded, electric shock may result.

2. Selecting a location for installation

* The branch box is only indoor use.

- Ensure that the branch box is installed in a location which facilitates servicing and maintenance. (ensure that the required maintenance hole or service space is available).

- Do not install near bedrooms. The sound of refrigerant flowing through the piping may sometimes be audible.
- Ensure that it is located where noise in operation will not be a problem. After power is supplied or after an operation stop for a while, a small clicking noise may be heard from the inside of the branch box. The electronic expansion valve is opening and closing. The unit is not faulty.

- Determine the route of refrigerant piping, and electrical wiring beforehand.

- Ensure that the location of the installation is such that the length of refrigerant piping is within the specified limits.

• Do not install in location that is hot or humid for long periods of time.

- Ensure that the branch box is installed above the ceiling of corridor, bath room, etc., where persons are not regularly there (Avoid installing at around center of the room.) for maintenance.

* Ensure that the unit is installed in a location able to support its weight.

⚠ Warning:
Ensure that the unit is installed firmly in a location able to support its weight. If the installation is of insufficient strength the unit may fall, resulting in injury.

3. Confirming supplied accessories

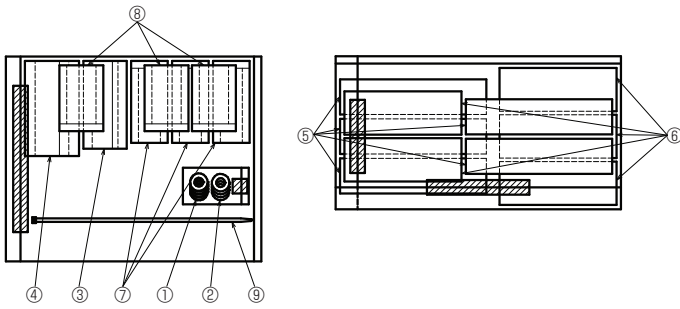


Fig. 3-1

3.1. Check the Branch Box accessories and parts

	Accessory name	Q'ty		
		PAC-MK30BC	PAC-MK50BC	
①	Washer (with insulation)	4	4	
②	Washer	4	4	
③	Pipe cover (Liquid)	1	1	TO OUTDOOR UNIT
④	Pipe cover (Gas)	1	1	TO OUTDOOR UNIT
⑤	Pipe cover (Liquid)	3	5	TO INDOOR UNITS
⑥	Pipe cover (Gas)	3	5	TO INDOOR UNITS
⑦	Joint cover (Liquid)	1	3	
⑧	Joint cover (Gas)	1	3	
⑨	Band	16	24	

4. Dimensions and required servicing space of Branch Box

Optional different-diameter (deformed) joints

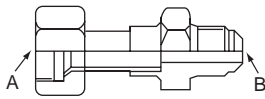


Fig. 4-1

Model name	Connected pipes diameter	Diameter A	Diameter B
	mm	mm	mm
MAC-A454JP	ø9.52 → ø12.7	ø9.52	ø12.7
MAC-A455JP	ø12.7 → ø9.52	ø12.7	ø9.52
MAC-A456JP	ø12.7 → ø15.88	ø12.7	ø15.88
PAC-493PI	ø6.35 → ø9.52	ø6.35	ø9.52
PAC-SG76RJ-E	ø9.52 → ø15.88	ø9.52	ø15.88

- * Please connect 2 indoor units or more with 1 system.
- * Up to 2 branch boxes may be connected to 1 outdoor unit.
- * Suspension bolt : W3/8 (M10)
- * Refrigerant pipe flared connection

* The piping connection size differs according to the type and capacity of indoor units. Match the piping connection size for indoor unit and branch box. If the piping connection size of branch box does not match the piping connection size of indoor unit, use optional different-diameter (deformed) joints to the branch box side. (Connect deformed joint directly to the branch box side.)

- Ⓐ Suspension bolt pitch
- Ⓑ To indoor unit
- Ⓒ To outdoor unit
- Ⓓ Service panel (for LEV, THERMISTOR)
- Ⓔ Electric cover
- Ⓕ Rubber bush
- Ⓖ Terminal block (to indoor unit on control board)
- Ⓗ Terminal block (to outdoor unit)
- Ⓙ Terminal block (for communication cable)
- Ⓚ Cable clamp

* Ensure that the branch box is installed as shown on the below drawing.

■ PAC-MK50BC (5-branches type)

(mm)

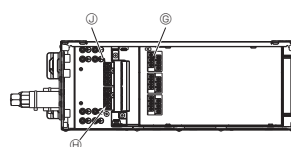
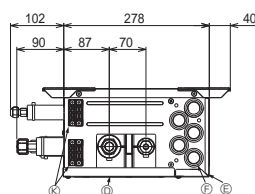
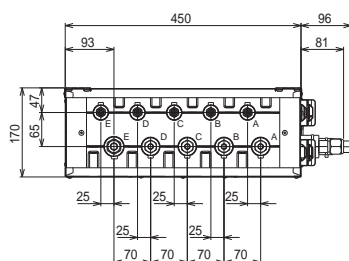
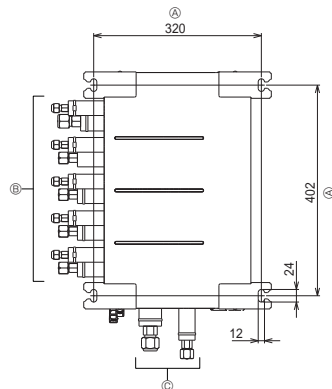


Fig. 4-2

■ PAC-MK50BC (Fig.4-2)

Suspension bolt: W3/8 (M10)
Refrigerant pipe flared connection

	mm					
	A	B	C	D	E	To outdoor unit
Liquid pipe	ø6.35	ø6.35	ø6.35	ø6.35	ø6.35	ø9.52
Gas pipe	ø9.52	ø9.52	ø9.52	ø9.52	ø12.7	ø15.88

Conversion formula

1/4 F	ø6.35
3/8 F	ø9.52
1/2 F	ø12.7
5/8 F	ø15.88
3/4 F	ø19.05

4. Dimensions and required servicing space of Branch Box

■ PAC-MK30BC (3-branches type)

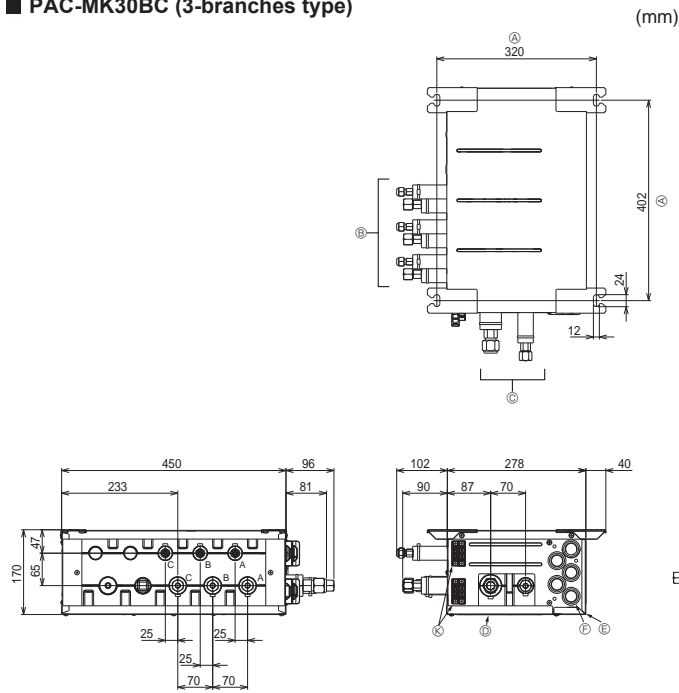


Fig. 4-3

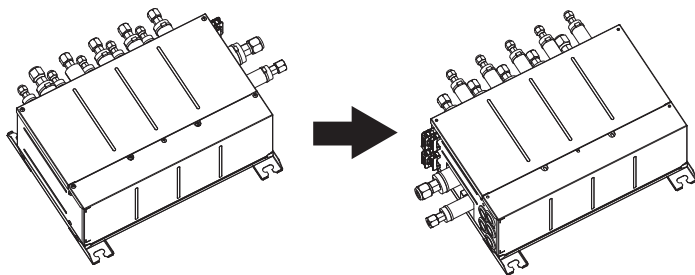
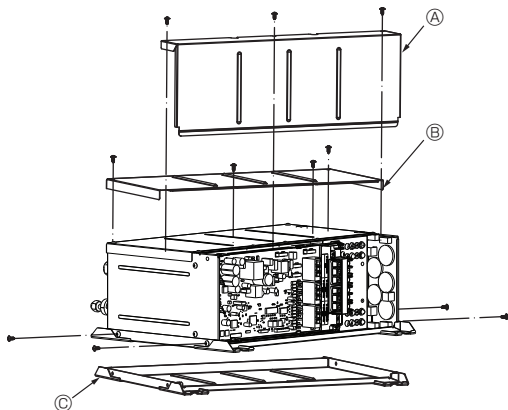


Fig. 4-4

② Remove the electric cover, service panel, and top panel.

- Ⓐ Electric cover
- Ⓑ Service panel
- Ⓒ Top panel

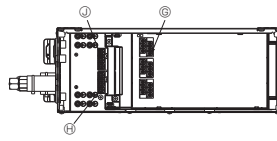


■ PAC-MK30BC (Fig.4-3)

Suspension bolt: W3/8 (M10)

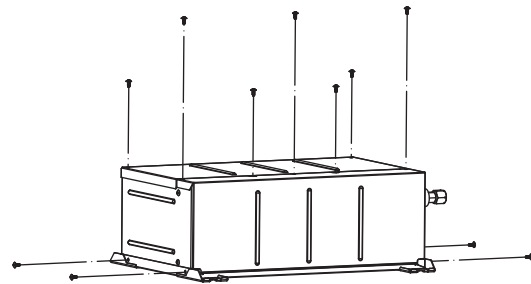
Refrigerant pipe flared connection

	mm			
Liquid pipe	A	B	C	To outdoor unit
Gas pipe	ø6.35	ø6.35	ø6.35	ø9.52
	ø9.52	ø9.52	ø9.52	ø15.88



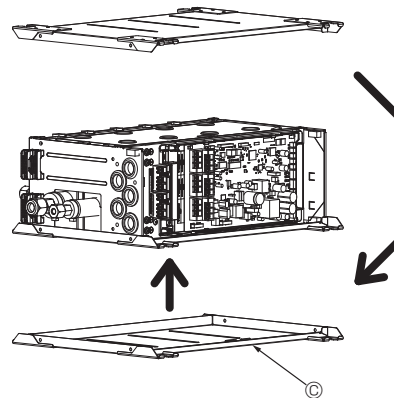
4.1. The direction of the piping can be changed. (Fig. 4-4). [Work Procedures] (Fig. 4-5)

① Remove the screws in each part.



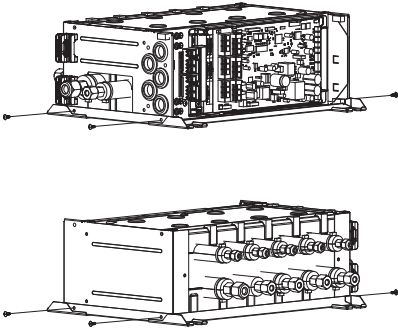
③ Install the top panel on the opposite surface.

- Ⓒ Top panel



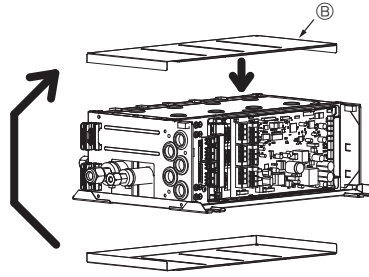
4. Dimensions and required servicing space of Branch Box

④ Fasten the screws in each part.

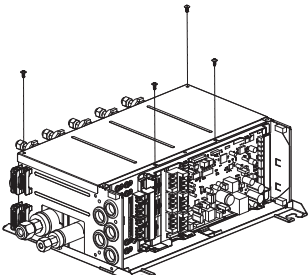


⑤ Install the service panel on the opposite surface.

ⓑ Service panel

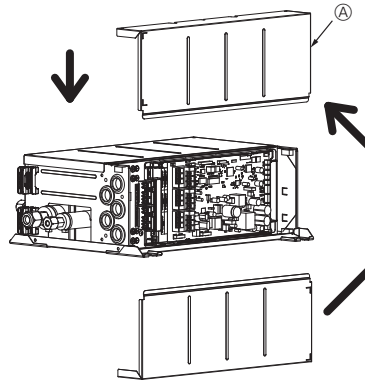


⑥ Fasten the screws.



⑦ Install the electric cover on the opposite surface.

Ⓐ Electric cover



⑧ Fasten the screws.

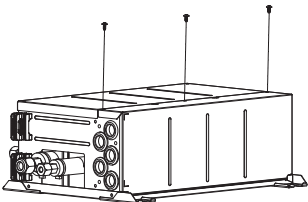


Fig. 4-5

4. Dimensions and required servicing space of Branch Box

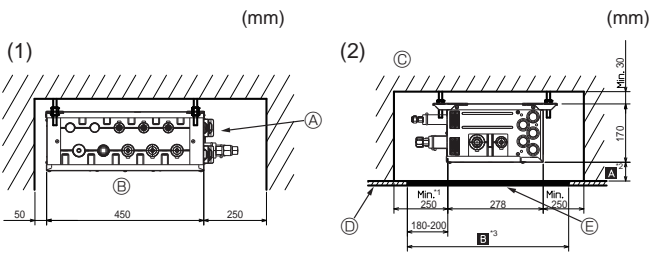


Fig. 4-6

Fig. 4-7

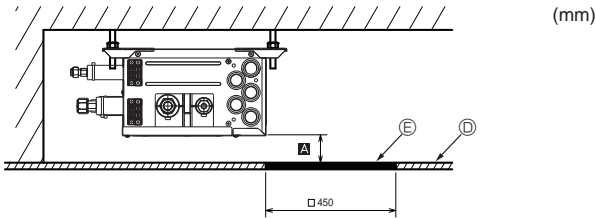


Fig. 4-8

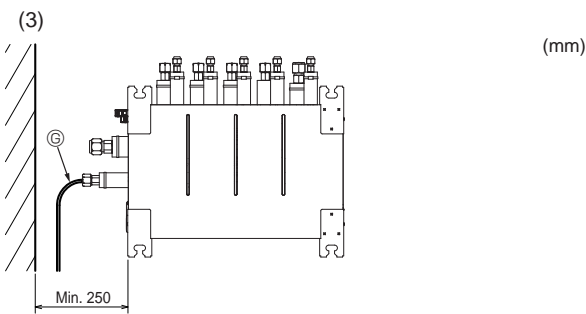


Fig. 4-9

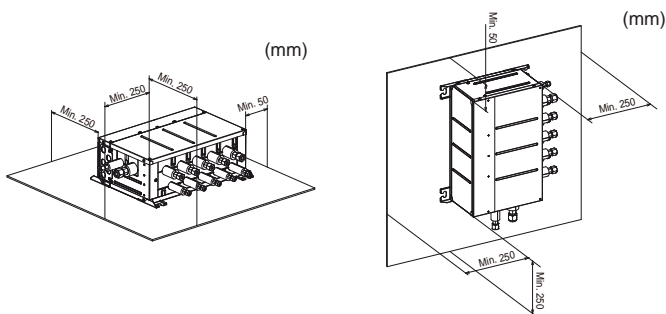


Fig. 4-10

Fig. 4-11

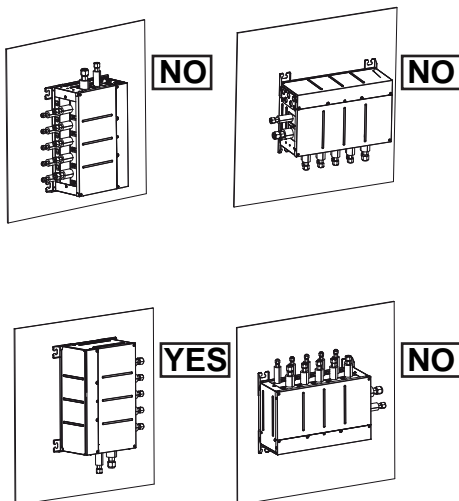


Fig. 4-12

4.2. Space required for installation and servicing

I. The space when installing with the suspension bolts.

- (1) Front View (Fig. 4-6)
 - Ⓐ Branch box
 - Ⓑ On the side of piping
- (2) Side View (Fig. 4-7, Fig. 4-8)
 - Ⓒ For indoor installations
 - Ⓓ Ceiling board
 - Ⓔ Maintenance hole

*1: Minimum 350 mm is required for 90° bends in refrigerant piping.

*2: **A** is "Min. 200 mm" <recommendation>.

In the case of less than 200 mm (for example **A** is 100 mm), the exchange work of Branch box from a maintenance hole becomes difficult (Only exchange work of a PCB, linear expansion valve coils and sensors are possible).

*3: **B** is "□ 600 mm" <recommendation>.

In the case of "□ 450 mm", prepare a maintenance hole at a PCB side (as it is shown in Fig. 4-8), and "Min. 300 mm" is needed as distance **A**.
In the case of less than 300 mm (for example **A** is 100 mm), the exchange work of Branch box, linear expansion valve coils and sensors from a maintenance hole becomes difficult (Only exchange work of a PCB is possible).

- (3) Top View (Fig. 4-9)
 - Ⓒ Refrigerant piping

II. The space when installing on the floor. (Fig. 4-10)

III. The space when installing on a wall. (Fig. 4-11)

The installation direction is limited when installing on a wall. (Fig. 4-12)

When installing the unit on the wall, install the piping connected to the outdoor unit facing down. Other ways are not acceptable.

5. Refrigerant piping

* Always follow the specifications written in the installation manual of the outdoor unit. Exceeding these requirements may cause reduced performance of the equipment, and malfunctions.

6. Mounting the Branch Box

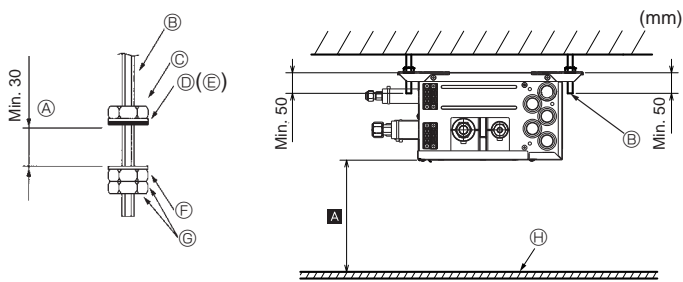


Fig. 6-1

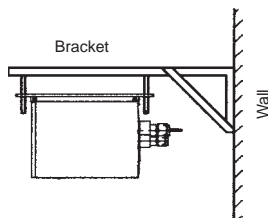


Fig. 6-2

* Purchase an appropriate bracket locally if the unit is to be mounted on a wall.

- (1) Install the suspension bolts (procure locally) at the specified pitch (Fig. 4-2, 4-3).
 - (2) Fit the washers and nuts (①, ②, procure locally) to the suspension bolts. (Fig. 6-1)
 - (3) Hang the unit on the suspension bolts.
 - (4) Fully tighten the nuts (check ceiling height).
 - (5) Use a level to adjust the branch box to the horizontal.
- A When unit is hung and nuts tightened
 B Suspension bolt
 C Nuts
 D Washer (with cushion) ①
 E Ensure that cushion faces downwards
 F Washer (without cushion) ②
 G Nut (procure locally)
 H Ceiling board

7. Installing refrigerant piping

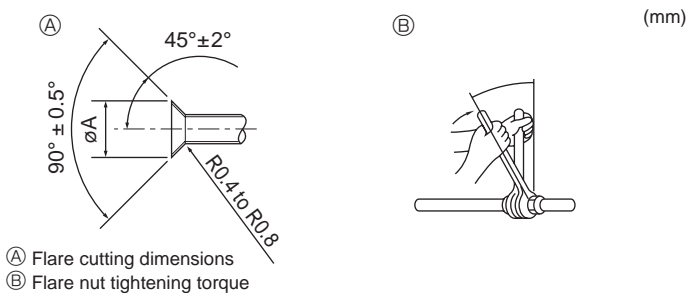


Fig. 7-1

A Flare cutting dimensions

Table 1

Copper pipe O.D. (mm)	Flare dimensions øA dimensions (mm)
ø6.35	8.7-9.1
ø9.52	12.8-13.2
ø12.7	16.2-16.6
ø15.88	19.3-19.7

B Flare nut tightening torque

Table 2

Copper pipe O.D. (mm)	Flare nut O.D. (mm)	Tightening torque (N•m)
ø6.35	17	14-18
ø6.35	22	34-42
ø9.52	22	34-42
ø12.7	26	49-61
ø12.7	29	68-82
ø15.88	29	68-82
ø15.88	36	100-120

- ▶ Connect the liquid and gas pipes of each indoor unit to the same end connection numbers as indicated on the indoor unit flare connection section of each Branch Box. If connected to wrong end connection numbers, it doesn't work normally.
- ▶ When connecting indoor units, make sure to connect refrigerant pipes and connection wires to the appropriate connection ports marked with matching alphabets. (Ex. A, B, C, D, E)

Note:

- Be sure to mark all the local refrigerant piping (liquid pipes, gas pipes, etc.) for each indoor unit designating clearly which room it belongs in. (Ex. A, B, C, D, E)
- ▶ List indoor unit model names in the name plate on the control box of Branch Box (for identification purposes).

- Conduct sufficient anti-condensation and insulation work to prevent water dripping from the refrigerant piping. (liquid pipe/gas pipe)
 - Increase insulation depending on the environment where the refrigerant piping is installed, or condensation may occur on the surface of the insulation material. (Insulation material Heat-resistant temperature: 120 °C, Thickness: 15 mm or more)
 - * When the refrigerant piping is used in locations subject to high temperature and humidity such as in the attic, further addition of insulation may be required.
 - To insulate the refrigerant piping, apply heat-resistant polyethylene foam between the indoor unit and insulation material as well as to the net between the insulation material filling all gaps. (Condensation forming on the piping may result in condensation in the room or burns when contacting the piping.)
 - ▶ When using commercially available refrigerant piping, ensure that both liquid and gas piping are wrapped with commercially available thermal insulation materials (insulation materials at least 12 mm thick and able to withstand temperatures in excess of 100 °C).
 - ▶ Refer to the installation manual of the outdoor unit when creating a vacuum and opening or closing valves.
- (1) Remove the flared nuts and caps from the branch box.
 - (2) Flare the ends of the liquid and gas piping, and apply refrigeration oil (procure locally) to the flared seat. Do not apply oil to the threaded portion.
 - (3) Connect the refrigerant piping immediately. Always tighten the flared nuts to the torque specified in the table 2 using a torque wrench and double spanner.
 - (4) Press the pipe covers ③ and ⑤ on the liquid piping against the unit and wrap to hold in place. (Fig. 7-3)
 - (5) Press the pipe covers ④ and ⑥ on the gas piping against the unit and wrap to hold in place. (Fig. 7-3)
 - (6) Apply the supplied bands ⑨ at a position 10 - 20 mm from each end of the pipe covers (③④⑤⑥).
 - (7) If the indoor unit is not connected, fit the supplied pipe covers (with caps, ⑦ and ⑧) to the branch box refrigerant piping connections against the unit to prevent condensation dripping from the pipes. (Fig. 7-4)
 - (8) Clamp the pipe covers (⑦⑧) in place with the supplied bands ⑨.

7. Installing refrigerant piping

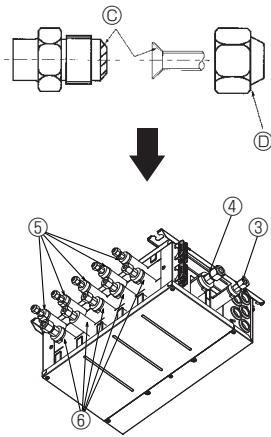


Fig. 7-2

⚠ Caution:

Tighten the flare nut with a torque wrench in the specified method. Overtightening will cause the flare nut to crack and it will cause refrigerant leakage over a period of time.

- Ⓒ Apply refrigeration oil to the entire (Fig. 7-2) surface of the flared seat.
- Ⓓ Basically use flared nuts fitted to the body (commercially available flared nuts may crack).

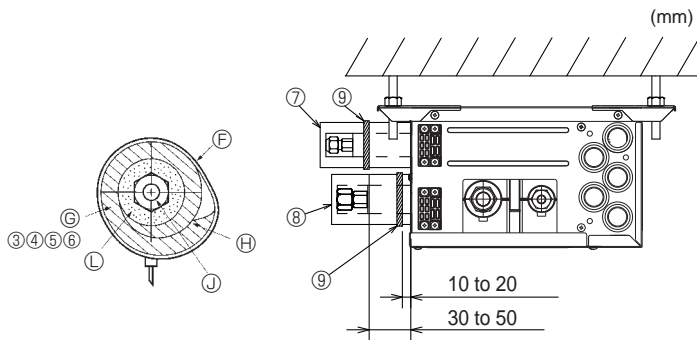


Fig. 7-3

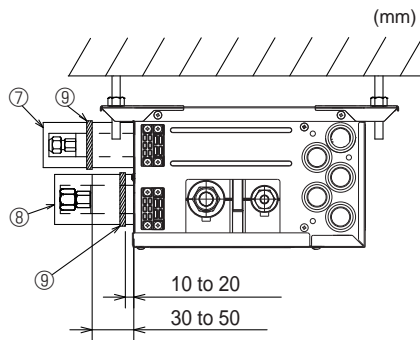


Fig. 7-4

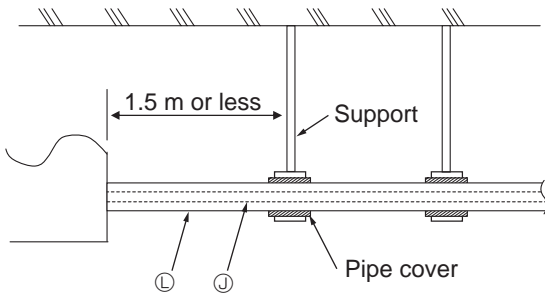


Fig. 7-5

Note:

A special flare nut (optional or attached to the indoor unit) is needed to some indoor units. Please refer to the installation manual of outdoor unit and indoor unit for details.

- Ⓕ Band ⑨
- Ⓖ Pipe covers ③④⑤⑥
- Ⓗ Tighten
- Ⓙ Refrigerant piping
- Ⓛ Thermal insulation for refrigerant piping

► Use the following procedures for indoor connection part which indoor unit is not connected. (Fig. 7-4)

- (1) In order to prevent refrigerant leaks, make sure that the flare nuts are tightened according to the specified torques* in Table 3.
* Refrigerant may also leak if the flare nuts are tightened more than the specified torques.
- (2) In order to prevent condensation, install the pipe covers ⑦ ⑧ against the unit and fasten them with the supplied bands ⑨ .

Table 3

Diameters of branch box openings for connecting indoor units (mm)	Tightening torque (N•m)
∅6.35	13 ± 2
∅9.52	30 ± 2
∅12.7	50 ± 2

► **Refrigerant charge:**

Refer to the installation manual of the outdoor unit.
Use only R410A refrigerant (use of other refrigerants may cause troubles).

⚠ Caution:

To avoid excessive strain on the branch box, support the piping with one or more support(s) 1.5 m or less from the branch box.

Refer to Fig. 7-5 as an example.

- Ⓙ Refrigerant piping
- Ⓛ Thermal insulation for refrigerant piping

8. Electrical work

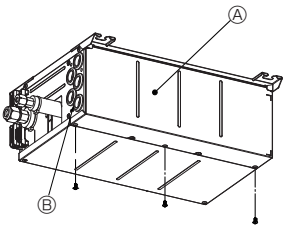


Fig. 8-1

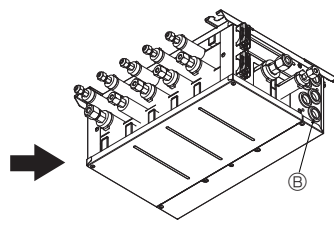


Fig. 8-2

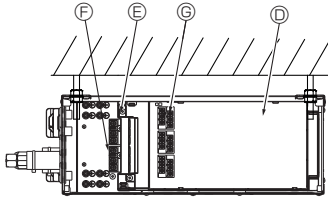


Fig. 8-3

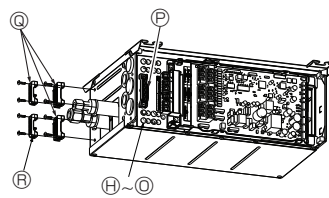


Fig. 8-4

- Ⓐ Electric cover
- Ⓑ Rubber bush
- Ⓒ Wiring
- Ⓓ Controller board
- Ⓔ Terminal block: TB5
- Ⓕ Terminal block: TB2B <To outdoor unit>
- Ⓖ Terminal block: TB3A-TB3E <To indoor unit>
- Ⓗ Earth Terminal <To outdoor unit>

- ⓫ Earth Terminal <For TB3A>
- ⓬ Earth Terminal <For TB3B>
- ⓭ Earth Terminal <For TB3D>
- ⓮ Earth Terminal <For TB3C>
- ⓯ Earth Terminal <For TB3E>
- ⓰ Earth Terminal <To other branch box>
- ⓱ Cable clamp <For TB2B>
- ⓳ Cable clamp <For TB3A-TB3E>
- ⓴ Cable clamp <For TB5>

▶ Cautions for electrical work.

⚠ Warning:

- Always use dedicated circuits with breakers, and at the rated voltage. Power supply circuits with insufficient capacity, and bad workmanship during installation, may result in electric shock or fire.

⚠ Caution:

- Be sure to establish an earth. Do not earth the unit to a utility pipe, arrester, or telephone earth. Incomplete earth may cause electrical shock. A high surge current from lightning or other sources may cause damage to the air conditioner.
- Use the specified electrical wiring and ensure that it is connected properly, and that it is not under tension. Failure to follow these requirements may result in broken wiring, heating, or fire.
- ▶ Before turning Branch Box on, be sure to set the switches.
- ▶ To turn the power on, turn on the Branch Box then the outdoor unit, in that order. (In case power supplies for Branch Box and outdoor unit are separated)
- ▶ Wiring connecting branch box and outdoor unit, and branch box and indoor units, functions as both power supply and signal cable. Connect this wiring in accordance with the terminal block numbers to ensure correct polarity.
- ▶ Ensure that the appropriate refrigerant piping and electrical wiring are connected to each indoor unit. Incorrect wiring will interfere with the correct operation of the unit.

▶ Connect refrigerant pipes and connection wires to the appropriate ports marked with matching alphabets (Ex. A, B, C, D, E) on this unit.

- ▶ First, connect the power supply cable from the outdoor unit.
- ▶ Always fix each ground wire separately with a ground screw.
- ▶ To prevent that wiring installed in the ceiling is chewed by rats etc., it should be installed in wiring conduit.
 1. Remove the electric cover. (Fig. 8-1)
 2. Pass the wiring into the branch box each wire in place with a wiring clamp.
 3. Firmly connect each wire to the appropriate terminal block. (Fig. 8-3)
 4. Set dip sw. (Refer to 8.3)
 5. Replace the electric cover.

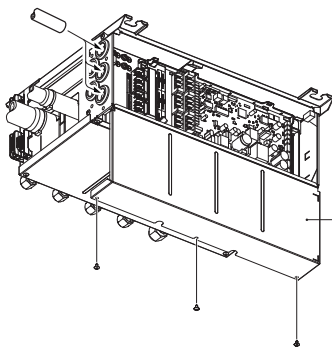


Fig. 8-5

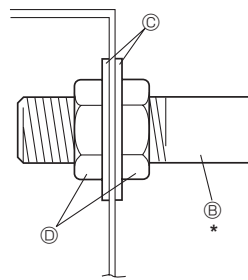


Fig. 8-6

8.1. When using wiring conduit (Fig. 8-5,6,7)

Replace the horizontal cover when the wiring conduit has been fixed in place.

- Ⓐ Cover
- Ⓑ Wiring conduit
- Ⓒ Washer
- Ⓓ Nut

Wiring conduit of up to 1" OD may be used.

- (1) When using 1" OD wiring conduit, remove the bush and fix to the branch box. Remove the horizontal cover while fixing to the branch box.
- (2) When using wiring conduit of 3/4" OD or smaller, notch the bush and insert the wiring conduit approximately 100 mm into the branch box.
 - * Replace the horizontal cover when the wiring conduit has been fixed in place.

⚠ Caution:

To avoid excessive strain on the branch box, support the wiring conduit Ⓑ with one or more support(s) 1.5 m or less from the branch box. Refer to Fig. 8-7 as an example.

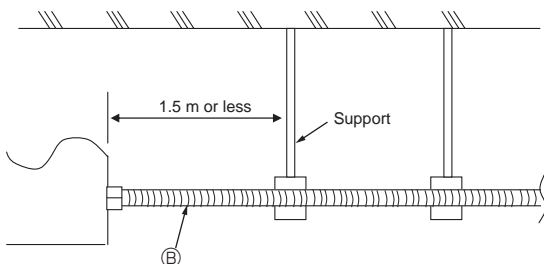


Fig. 8-7

8. Electrical work

Supply power separately to branch box and outdoor unit

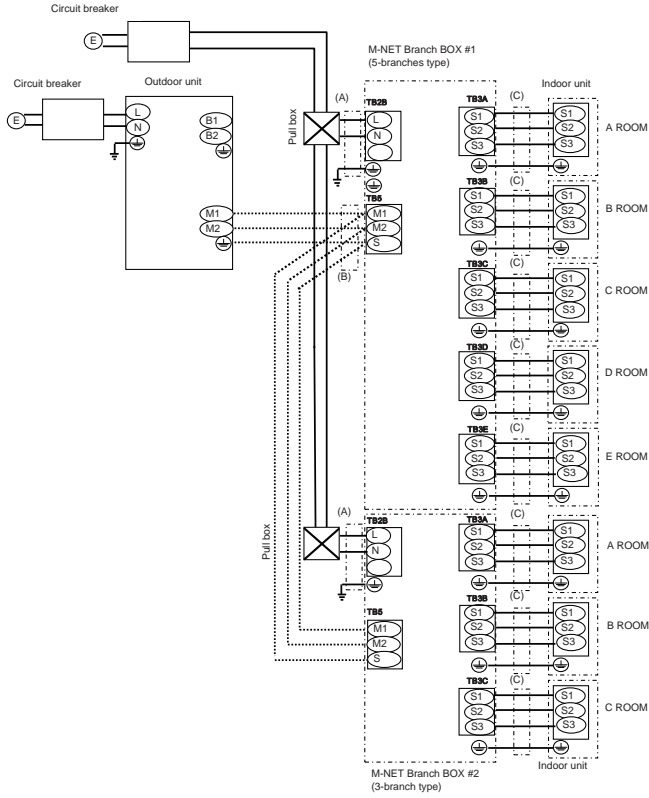
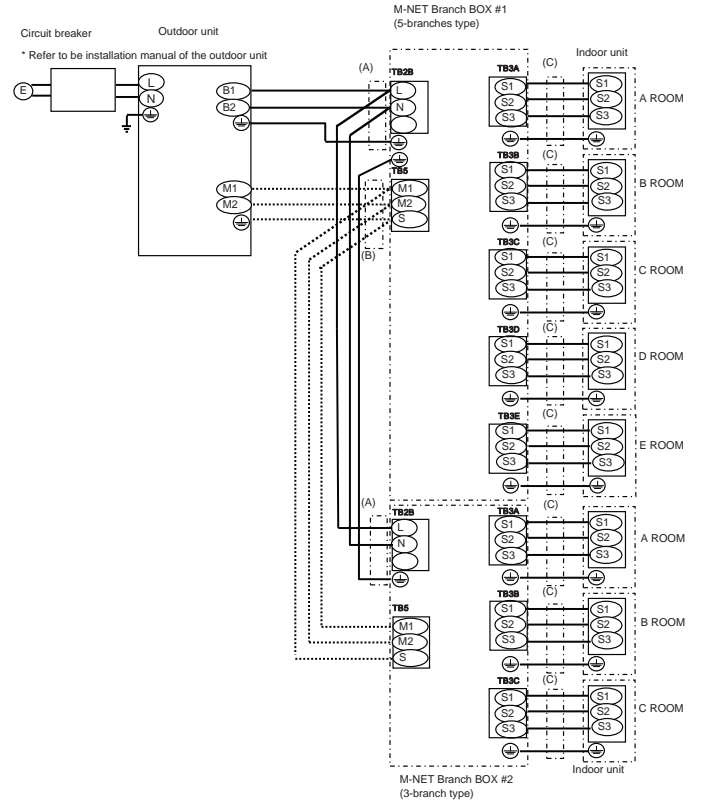


Fig. 8-8

8.2. External wiring procedure (Fig. 8-8, Fig 8-9)

Power supply from Outdoor unit



Ⓒ Power supply: Single phase 220/230/240 V 50 Hz, 220 V 60 Hz

Note:

- Connect the lines (B), (C) in accordance with the terminal block names to ensure correct polarity.
- As for lines (C), S1 and S2 are for connecting the power source. And S2 and S3 are for signals. S2 is common cable for the power source and signal.

Wire diameter		
(A) Main power line/ Earth line	(B) M-NET cable Shielding wire CVVS, CPEVS or MVVS	(C) Signal line/ Earth line
3-core 2.5 mm ²	2-core 1.25 mm ² Less Than 200 m	4-core 1.5 mm ² Less Than 25 m

When using twisted wire for the wiring, the use of round terminal is required.

Notes: 1. Wiring size must comply with the applicable local and national code.

2. Power supply cords and indoor unit/branch box/outdoor unit connecting cords shall not be lighter than polychloroprene sheathed flexible cord. (Design 60245 IEC 57)

3. Install an earth line longer than power cables.

4. Do not bundle the M-NET cable with the connection cable and power supply cable.
It may cause erroneous operation.

Warning:

Never splice the cable, otherwise it may result in a smoke, a fire or communication failure.

M-NET Branch BOX (5-branches type)

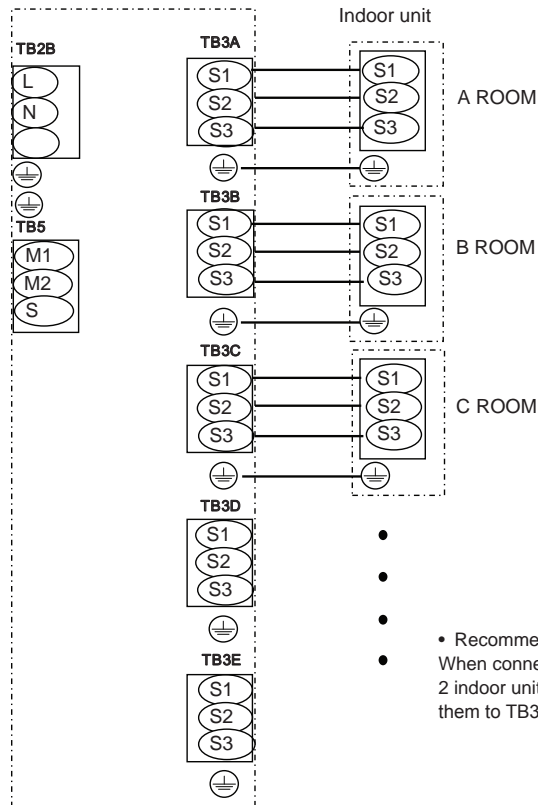


Fig. 8-9

Recommended Connection Method

When connecting one indoor unit to the branch box, connect it to TB3A. When connecting 2 indoor units, connect them to TB3A and TB3B. When connecting 3 indoor units, connect them to TB3A, TB3B, and TB3C. Connect indoor units in the order of A→B→C→D→E.

8. Electrical work

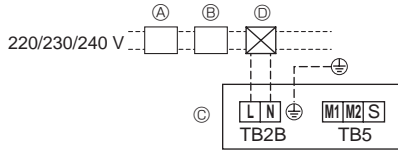


Fig. 8-10

Power supply wiring (Supply power separately to branch box and outdoor unit)

- Install an earth line longer than other cables.
- Power supply cords of appliance shall not be lighter than design 245IEC57 or 227IEC57, 245 IEC 53 or 227 IEC 53.
- A switch with at least 3 mm, 1/8 inch contact separation in each pole shall be provided by the air conditioner installation.

[Fig. 8-10]

- Ⓐ Ground-fault interrupter
- Ⓑ Local switch/Wiring breaker
- Ⓒ Branch Box
- Ⓓ Pull box

Total operating current of the indoor unit	Minimum wire thickness (mm ² /AWG)					Breaker for wiring (NFB)	Ground-fault interrupter *1
	Main cable	Branch	Ground	Capacity	Fuse		
F0 = 15A or less *2	2.1/14	2.1/14	2.1/14	15	15	15	15A current sensitivity *3
F0 = 20A or less *2	3.3/12	3.3/12	3.3/12	20	20	20	20A current sensitivity *3
F0 = 30A or less *2	5.3/10	5.3/10	5.3/10	30	30	30	30A current sensitivity *3

Apply to IEC61000-3-3 about max. permissive system impedance.

*1 The Ground-fault interrupter should support inverter circuit.

The Ground-fault interrupter should combine using of local switch or wiring breaker.

*2 Please take the larger of F1 or F2 as the value for F0.

F1 = Total operating maximum current of the indoor units × 1.2

F2 = (V1/C)

Connect to Branch box (PAC-MK*BC)

Indoor unit	V1	V2
Type 1 SEZ-KD*VA, PCA-RP*KAQ, PLA-ZRP*BA(.UK)	19.8	2.4
Type 2 PEAD-RP*JAQ(L).UK	26.9	
Type 3 MLZ-KA*VA, SLZ-KA*VAQ(L)3	9.9	
Type 4 MSZ-FH*VE, MSZ-SF*VE, MSZ-EF*VE, MSZ-SF*VA	6.8	
Type 5 MFZ-KJ*VE	7.4	
Type 6 Branch box (PAC-MK*BC)	5.1	

Connect to Connection kit (PAC-LV11M)

Indoor unit	V1	V2
Type 1 MSY-EF*VE, MSY-GE*VA, MSY-GH, MSZ-GE*VA, MSZ-SF*VA, MSZ-SF*VE, MSZ-EF*VE, MSZ-FH*VE	6.8	2.4
Type 2 MFZ-KJ*VE	7.4	
Type 3 Connection kit (PAC-LV11M)	3.5	

Indoor unit	V1	V2
Type 1 PMFY-VBM, PLFY-VBM, PEFY-VMS1, PCFY-VKM, PKFY-VHM, PKFY-VKM, PFFY-VLRMM, PFFY-VKM	19.8	2.4
Type 2 PLFY-VCM	9.9	
Type 4 PKFY-VBM	3.5	1.6
Type 5 PEFY-VMA	38.0	
Type 6 PLFY-VLMD, PEFY-VMH, PEFY-VMR, PDFY-VM, PFFY-VLEM, PFFY-VLRM	0	

C : Multiple of tripping current at tripping time 0.01s

Please pick up "C" from the tripping characteristic of the breaker.

*Condition Branch Box × 2 + SEZ-KD*VA × 5, C=8 (refer to right sample chart)

F2 = 5.1 × 2/8 + 19.8 × 5/8

= 14.9

→ 16A breaker (Tripping current = 8 × 16A at 0.01s)

*3 Current sensitivity is calculated using the following formula.

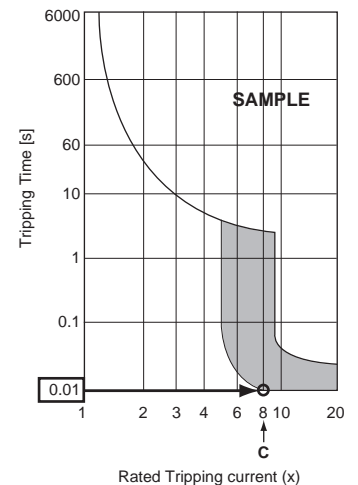
G1 = V2 + V3 × (Wire length[km])

G1	Current sensitivity
30 or less	30 mA 0.1sec or less
100 or less	100 mA 0.1sec or less

Wire thickness (mm ² /AWG)	V3
2.1/14	48
3.3/12	56
5.3/10	66

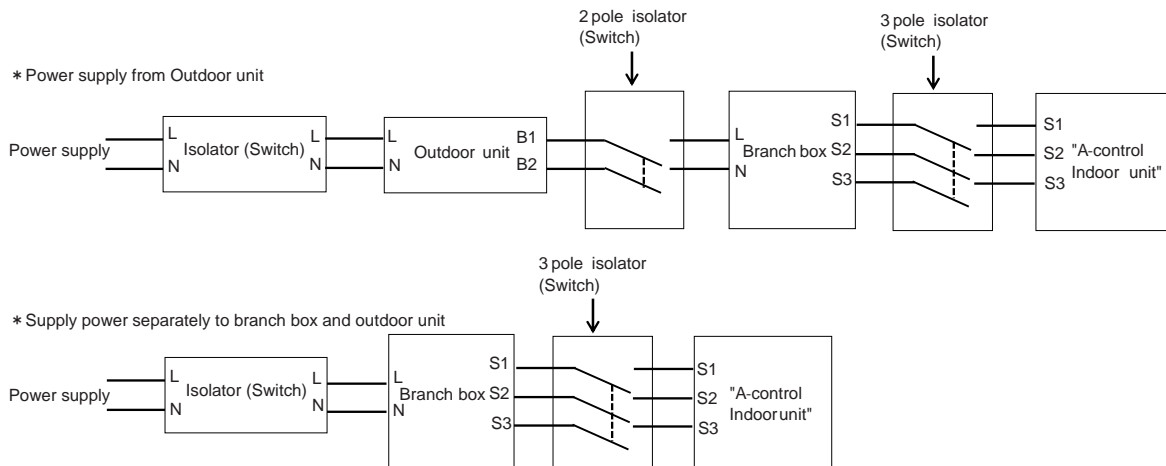
	V2
Indoor unit	2.4
Branch Box	3.0

Sample chart



⚠ Warning:

In case of A-control wiring, there is high voltage potential on the S3 terminal caused by electrical circuit design that has no electrical insulation between power line and communication signal line. Therefore, please turn off the main power supply when servicing. And do not touch the S1, S2, S3 terminals when the power is energized. If isolator should be used between outdoor unit and branch box/indoor unit and branch box, please use 3-pole type.

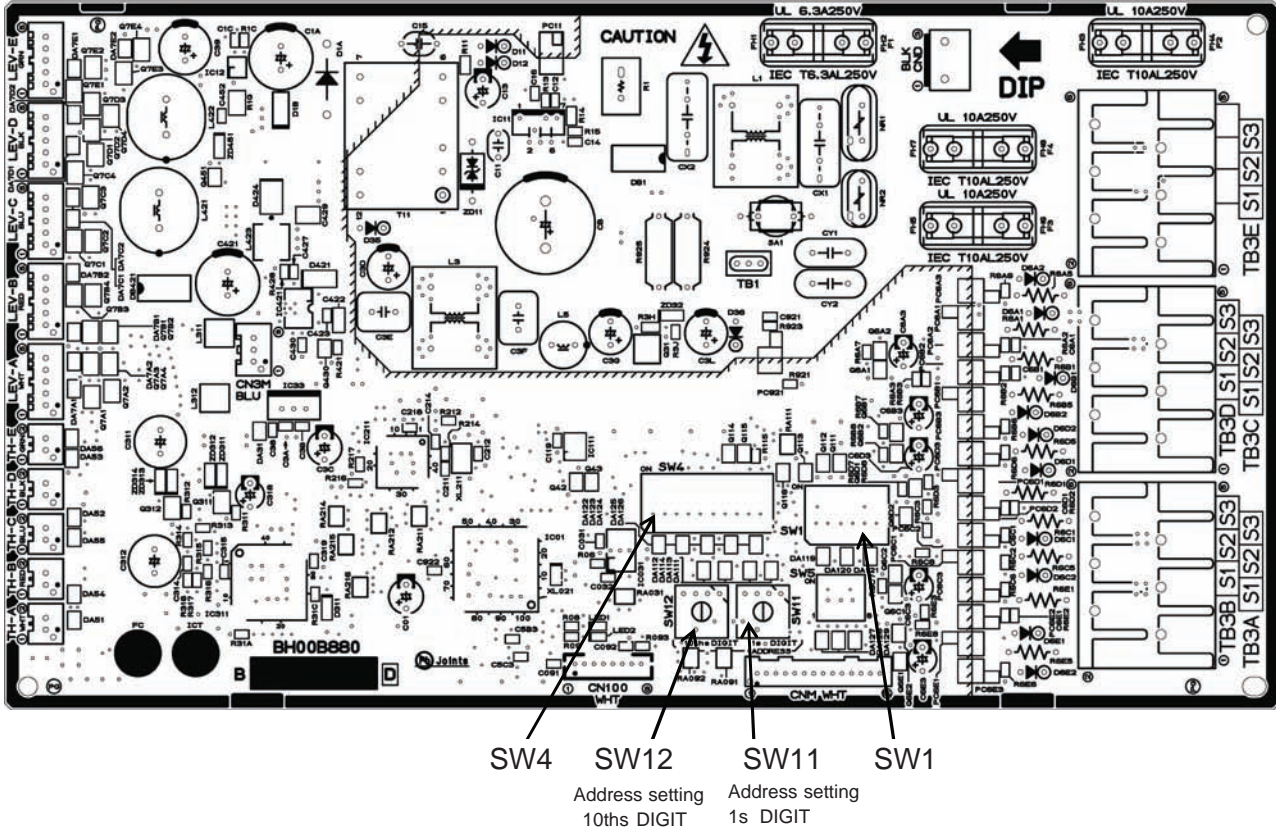


⚠ Caution:

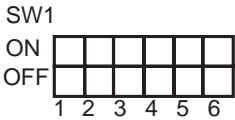
After using the isolator, be sure to turn off and on the main power supply to reset the system. Otherwise, the outdoor unit may not be able to detect the branch box(es) or indoor units.

8. Electrical work

8.3. Switch setting



Dip switch setting (Effective only before turning on the power)



- Indoor Unit A
- Indoor Unit B
- Indoor Unit C
- Indoor Unit D
- Indoor Unit E
- Unassigned

Switch	OFF	ON
SW1-1	No	Yes
SW1-2	No	Yes
SW1-3	No	Yes
SW1-4	No	Yes
SW1-5	No	Yes
SW1-6		

Address switch (Effective only before turning on the power)

Actual indoor unit address setting varies in different systems. Refer to the installation manual for the outdoor unit for details on how to make the address setting. Each address is set with a combination of the settings for the 10ths digit and 1s digit.

(Example)

- When setting the address to "3", set the 1s digit to 3, and the 10ths digit to 0.
- When setting the address to "25", set the 1s digit to 5, and the 10ths digit to 2.

(Example)

- When setting the address of the branch BOX to "3", an address is assigned to each indoor unit starting with Unit A as shown below no matter if each indoor unit is connected. (SW1-1~5 ON)

- Indoor Unit A Address 3
- Indoor Unit B Address 4
- Indoor Unit C Address 5
- Indoor Unit D Address 6
- Indoor Unit E Address 7

- When the address is set to "25" and also 3 indoor units (Unit A, Unit C, and Unit E) are connected. (SW1-1, 1-3, 1-5 ON)

- Indoor Unit A Address 25
- Indoor Unit C Address 26
- Indoor Unit E Address 27

9. Test run

- Refer to the "Test run" section of the installation manual of the indoor units and outdoor unit.
- When the branch box and outdoor power source are separate, turn on the power of the branch box first, and then turn on the outdoor unit power.

• After power is supplied or after an operation stop for a while, a small clicking noise may be heard from the inside of the branch box. The electronic expansion valve is opening and closing. The unit is not faulty.

- Be sure to perform the test run in cooling mode for each indoor unit. Make sure each indoor unit operates properly following the installation manual attached to the unit.
- If you perform the test run for all indoor units at once, you cannot detect any erroneous connection, if any, of the refrigerant pipes and the indoor/outdoor unit connecting wires.
- To check for improper wiring, perform the test run for each indoor unit individually.

⚠ Caution:

- **Use the remote controller to operate the indoor unit.**
- **The following symptoms are not malfunctions.**

Symptom	Cause	Indoor unit LED display *
Indoor unit does not operate even if set to cooling (heating) operation	The cooling (heating) operation cannot be operated when the heating (cooling) operation of another indoor unit is operating.	Stand by (For Multi System)
Indoor unit fan stops during heating operation	The fan stops during defrosting operation.	-
	Fan stops when the refrigerant collecting mode ** is activated.	Stand by (For Multi System)

* See the operation manual of indoor units for details.

** This mode is activated for approximately 1 minute to help avoid an insufficient supply of refrigerant during heating operation when refrigerant is stored in an indoor unit that has been turned off or thermo-off.

Inhaltsverzeichnis

1. Sicherheitsvorkehrungen	14	6. Montage des Verteilerkastens	19
2. Auswahl des Installationsortes	14	7. Installation der Kühlmittelrohre	19
3. Prüfen des mitgelieferten Zubehörs	15	8. Elektroarbeiten	21
4. Abmessungen und erforderlicher Platz für Reparaturen des Verteilerkastens	15	9. Probelauf	25
5. Kühlmittelrohre	18		

Diese Installationsanleitung gilt nur für die Installation des Verteilerkastens. Zur Installation der Innengeräte und des Außengeräts lesen Sie die Installationsanleitungen, die dem jeweiligen Gerät beiliegen.

1. Sicherheitsvorkehrungen

- ▶ Vor dem Einbau der Anlage vergewissern, daß Sie alle Informationen über "Sicherheitsvorkehrungen" gelesen haben.
- ▶ Vor dem Anschließen dieses Gerätes an das Stromnetz Ihr Stromversorgungsunternehmen informieren oder dessen Genehmigung einholen.
- ▶ Die Geräte der Baureihe PAC-MK•BC sind als professionelle Geräte ausgelegt.
- ▶ Je nach dem verwendeten Innengerät werden die zutreffenden Standards für das Außengerät eventuell nicht erfüllt, wenn Strom vom Außengerät empfangen wird.

⚠ Warnung:
Beschreibt Vorkehrungen, die beachtet werden müssen, um den Benutzer vor der Gefahr von Verletzungen oder tödlichen Unfällen zu bewahren.

⚠ Vorsicht:
Beschreibt Vorkehrungen, die beachtet werden müssen, damit an der Anlage keine Schäden entstehen.

- ⚠ Warnung:**
- Das Gerät darf nicht vom Benutzer installiert werden.
 - Bitten Sie Ihren Fachhändler oder einen geprüften Fachtechniker, die Installation der Anlage vorzunehmen.
 - Folgen Sie bei der Installation den Anweisungen in der Installationsanleitung, und verwenden Sie Werkzeuge und Rohrleitungsbestandteile, die ausdrücklich zum Einsatz desjenigen Kältemittels ausgelegt ist, das in der Aussenanlageninstallationsanleitung spezifiziert ist.
 - Die Anlage muß entsprechend den Anweisungen installiert werden, um die Gefahr von Schäden in Folge von Erdbeben, Stürmen oder starkem Wind einfluß zu minimieren. Eine falsch installierte Anlage kann herabfallen und dabei Verletzungen oder Sachschäden verursachen.
 - Die Anlage muß sicher an einem Bauteil installiert werden, das das Gewicht der Anlage tragen kann.
 - Wenn die Klimaanlage in einem kleinen Raum installiert wird, müssen Maßnahmen ergriffen werden, damit die Kältemittelkonzentration auch bei Kältemittelaustritt den Sicherheitsgrenzwert nicht überschreitet. Sollte Kältemittel austreten und der Grenzwert der Kältemittelkonzentration überschritten werden, können durch den Sauerstoffmangel im Raum Gefahren entstehen.
 - Lüften Sie den Raum, wenn bei Betrieb Kältemittel austritt. Wenn Kältemittel mit einer Flamme in Berührung kommt, werden dabei giftige Gase freigesetzt.
 - Alle Elektroarbeiten müssen entsprechend den örtlichen Vorschriften und den Anweisungen in dieser Anleitung von qualifizierten Fachelektrikern ausgeführt werden.
 - Verwenden Sie zur Verdrahtung nur die angegebenen Kabel.
 - Die Klemmleistenabdeckung der Anlage muss ordnungsgemäß angebracht sein.
 - Verwenden Sie nur von Mitsubishi Electric zugelassenes Zubehör, und lassen Sie dieses durch Ihren Fachhändler oder eine Vertragswerkstatt einbauen.
 - Der Benutzer darf niemals versuchen, die Anlage zu reparieren oder an einem anderen Ort aufzustellen.
 - Prüfen Sie die Anlage nach Abschluß der Installation auf Kältemittelaustritt. Wenn Kältemittel in den Raum gelangt und mit der Flamme einer Heizung oder eines Gasherds in Berührung kommt, werden dabei giftige Gase freigesetzt.
 - Darauf achten, die Netzkabel und die Verbindungsleitungen für die Innengeräte, Außengeräte und Abzweigkästen direkt an die Geräte anzuschließen (keine Zwischenanschlüsse). Zwischenanschlüsse können Verbindungsfehler verursachen, wenn Wasser in die Kabel oder Leitungen eindringt und ungenügende Isolierung zur Erde oder unzureichenden Elektrokontakt am Zwischenanschlusspunkt zur Folge hat. (Wenn ein Zwischenanschluss notwendig ist, darauf achten, Maßnahmen zu ergreifen, die Wasser am Eindringen in die Kabel und Leitungen hindert.)

Erläutern Sie dem Kunden nach Abschluß der Installationsarbeiten die "Sicherheitsvorkehrungen" sowie die Nutzung und Wartung der Anlage entsprechend den Informationen in der Bedienungsanleitung und führen Sie einen Testlauf durch, um sicherzustellen, daß die Anlage ordnungsgemäß funktioniert. Geben Sie dem Benutzer sowohl die Installations- als auch die Bedienungsanleitung zur Aufbewahrung. Diese Anleitungen sind auch den nachfolgenden Besitzern der Anlage weiterzugeben.

⚠ : Verweist auf einen Teil der Anlage, der geerdet werden muß.

⚠ Warnung:
Sorgfältig die auf der Hauptanlage aufgetragenen Aufschriften lesen.

- ⚠ Vorsicht:**
- Achten Sie darauf, dass die Kältemittelleitungen gut isoliert sind, um Kondensation zu vermeiden. Nicht ausreichende Isolierung kann zu Kondensation auf der Leitungsoberfläche führen, die zu Nässe in Decke, Boden oder auf anderen, wertvollen Gegenständen führen kann.
 - Benutzen Sie das Gerät nicht in einer ungewöhnlichen Umgebung. Wird die Klimaanlage an Orten installiert, die Dampf, ätherischem Öl (einschließlich Maschinenöl), Schwefelgas oder hohem Salzgehalt, wie z. B. in Meeresnähe, ausgesetzt sind, kann es zu einer beträchtlichen Leistungseinbuße und Beschädigung der Innenteile kommen.
 - Installieren Sie das Gerät nicht an einem Ort, wo brennbare Gase entstehen können, erzeugt werden, fließen oder sich ansammeln können. Falls brennbares Gas sich um das Gerät ansammelt, kann es zu einem Brand oder einer Explosion kommen.
 - Wird das Gerät in einem Krankenhaus oder einem Kommunikationsbüro installiert, ist mit Störgeräuschen und elektronischer Beeinflussung zu rechnen. Wechselrichter, Haushaltsgeräte, medizinische Hochfrequenzgeräte und Funkgeräte können eine Funktionsstörung oder einen Ausfall der Klimaanlage verursachen. Die Klimaanlage kann auch medizinische Geräte beeinflussen, medizinische Versorgung und Kommunikationsgeräte stören sowie die Bildschirmanzeigequalität beeinträchtigen.
 - Eine Wärmeisolierung der Kältemittelleitung ist notwendig, um Kondensation zu verhindern. Wird die Kältemittelleitung nicht richtig isoliert, bildet sich Kondensation.
 - Hüllen Sie die Leitungen in Wärmeisolierung ein, um Kondensation zu verhindern. Wird das Abflussrohr falsch installiert, kann es zu einem Wasserleck und Beschädigung von Decke, Boden, Möbeln oder anderen Besitzgegenständen kommen.
 - Reinigen Sie das Klimagerät nicht mit Wasser. Es kann sonst zu einem elektrischen Schlag kommen.
 - Ziehen Sie alle Bördelmuttern mit einem Drehmomentschlüssel auf die Spezifikation an. Wird eine Bördelmutter zu stark angezogen, kann sie nach einem längeren Zeitraum brechen.
 - Installieren Sie unbedingt Leistungsschalter. Anderenfalls kann es zu einem elektrischen Schlag kommen.
 - Verwenden Sie für die Stromleitungen Standardkabel von ausreichender Kapazität. Anderenfalls kann es zu einem Kurzschluss, Überhitzung oder Brand kommen.
 - Setzen Sie die Stromleitungen bei der Installation keiner Zugkraft aus. Falls die Verbindungen gelockert werden, können die Kabel reißen oder brechen, und es kann zu Überhitzung oder einem Brand kommen.
 - Schließen Sie die Erdleiter nicht an Gas- oder Wasserrohre, Blitzableiter oder Telefon-Erdleiter an. Falls das Gerät nicht ordnungsgemäß geerdet ist, kann es zu einem elektrischen Schlag kommen.

2. Auswahl des Installationsortes

* Der Verteilerkasten ist ausschließlich zur Verwendung im Innenbereich gedacht.

- Achten Sie darauf, dass der Verteilerkasten an einem Ort installiert wird, der eine einfache Wartung und Reparatur ermöglicht. (achten Sie darauf, dass die erforderliche Wartungsöffnung bzw. Platz für Reparaturen vorhanden ist).

- Installieren Sie das Gerät nicht in der Nähe von Schlafzimmern. Das Geräusch des Kühlmittels, das durch die Leitungen fließt, kann ab und zu hörbar sein.
- Vergewissern Sie sich, dass der Installationsort so gewählt wird, dass Betriebsgeräusche nicht zu einem Problem werden können. Nachdem das Gerät mit Strom versorgt wurde, oder nachdem der Betrieb eine Weile gestoppt wurde, ist aus dem Verteilerkasten eventuell ein leises Klickgeräusch zu vernehmen. Dies ist das elektronische Ausdehnungsventil, das sich öffnet und schließt. Dies stellt keine Fehlfunktion des Gerätes dar.

- Legen Sie die Leitungsführung für Kühlmittel, Drainageleitung und elektrische Leitungen vor der Montage fest.

- Achten Sie darauf, dass das Gerät außerhalb der Reichweite von Kindern montiert wird; in mindestens 1,8 m Höhe über dem Boden.

• Installieren Sie das Gerät nicht an Orten, an denen für längere Zeit hohe Temperaturen oder Feuchtigkeit auftreten.

- Achten Sie aus Wartungsgründen darauf, dass der Verteilerkasten an der Decke eines Korridors, Badezimmers usw. installiert wird, wo sich Personen normalerweise nicht länger aufhalten (Vermeiden Sie eine Installation mitten im Raum).

* Achten Sie darauf, dass am Installationsort das Gewicht des Gerätes sicher getragen wird.

⚠ Warnung:
Achten Sie darauf, dass das Gerät an einem Ort montiert wird, der das Gewicht des Gerätes sicher hält. Wenn die Installation nicht mit ausreichender Festigkeit erfolgt, kann das Gerät herunterfallen und Verletzungen verursachen.

3. Prüfen des mitgelieferten Zubehörs

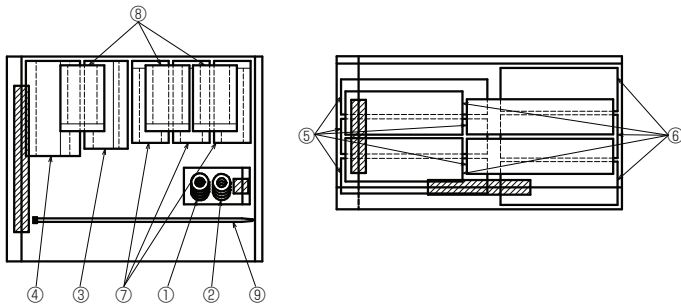


Fig. 3-1

3.1. Prüfen Sie die Teile und das Zubehör des Verteilerkastens

	Bezeichnung des Zubehörs	Menge		
		PAC-MK30BC	PAC-MK50BC	
①	Unterlegscheibe (mit Isolierung)	4	4	
②	Unterlegscheibe	4	4	
③	Rohrabdeckung (Flüssigkeit)	1	1	Zum Außengerät
④	Rohrabdeckung (Gas)	1	1	Zum Außengerät
⑤	Rohrabdeckung (Flüssigkeit)	3	5	Zum Innengerät
⑥	Rohrabdeckung (Gas)	3	5	Zum Innengerät
⑦	Anschlussabdeckung (Flüssigkeit)	1	3	
⑧	Anschlussabdeckung (Gas)	1	3	
⑨	Band	16	24	

4. Abmessungen und erforderlicher Platz für Reparaturen des Verteilerkastens

Optionale, verschiedene (verformte) Verbinder.

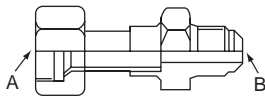


Fig. 4-1

Modellbezeichnung	Angeschlossene Rohrdurchmesser	Durchmesser A	Durchmesser B
	mm	mm	mm
MAC-A454JP	ø9,52 → ø12,7	ø9,52	ø12,7
MAC-A455JP	ø12,7 → ø9,52	ø12,7	ø9,52
MAC-A456JP	ø12,7 → ø15,88	ø12,7	ø15,88
PAC-493PI	ø6,35 → ø9,52	ø6,35	ø9,52
PAC-SG76RJ-E	ø9,52 → ø15,88	ø9,52	ø15,88

- * Bitte verbinden Sie zwei oder mehr Innengeräte mit einer Anlage.
- * 1-2 Verteilerkästen können an ein Außengerät angeschlossen werden.
- * Tragbolzen: W3/8 (M10)
- * Anschluss der Kühlmittelleitung (Aufweitung)

* Die Anschlussgröße der Rohrleitungen hängt von der Art und Leistung der Innengeräte ab. Passen Sie die Anschlussgröße der Rohrleitungen des Innengerätes und des Verteilerkastens an einander an. Wenn die Anschlussgröße der Rohrleitungen des Innengerätes und die des Verteilerkastens nicht übereinstimmen, verwenden Sie die optionalen (verformten) Verbinder mit verschiedenen Durchmessern an der Seite des Verteilerkastens. (Schließen Sie die verformten Verbinder direkt am Verteilerkasten an.)

- Ⓐ Abstand der Aufhängeschrauben
- Ⓑ Zum Innengerät
- Ⓒ Zum Außengerät
- Ⓓ Wartungsplatte (für LEV, THERMISTOR)
- Ⓔ Elektroabdeckung
- Ⓕ Gummitülle
- Ⓖ Klemmenblock (zum Innengerät an der Schalttafel)
- Ⓗ Klemmenblock (zum Außengerät)
- Ⓙ Klemmenblock (für Kommunikationskabel)
- Ⓚ Kabelklemme

* Ensure that the branch box is installed as shown on the below drawing.

■ PAC-MK50BC (5-Abzweige-Typ)

(mm)

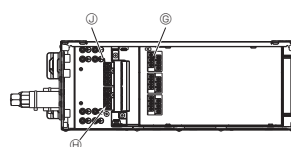
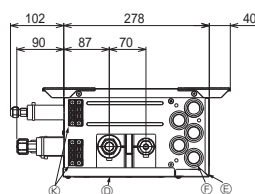
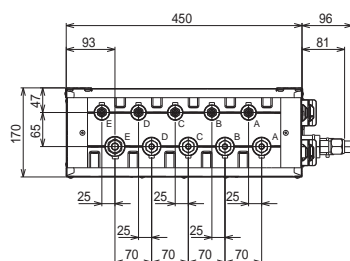
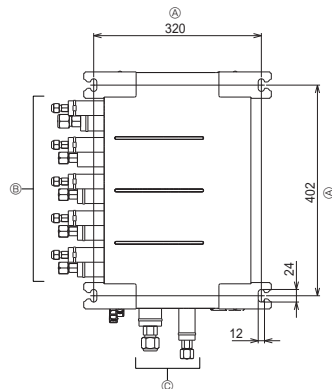


Fig. 4-2

■ PAC-MK50BC (Fig.4-2)

Tragbolzen: W3/8 (M10)

Anschluss der Kühlmittelleitung (Aufweitung)

mm

	A	B	C	D	E	Zum Außengerät
Flüssigkeitsrohr	ø6,35	ø6,35	ø6,35	ø6,35	ø6,35	ø9,52
Gasrohr	ø9,52	ø9,52	ø9,52	ø9,52	ø12,7	ø15,88

Formel zur Umrechnung

1/4 F	ø6,35
3/8 F	ø9,52
1/2 F	ø12,7
5/8 F	ø15,88
3/4 F	ø19,05

4. Abmessungen und erforderlicher Platz für Reparaturen des Verteilerkastens

■ PAC-MK30BC (3-Abzweige-Typ)

(mm)

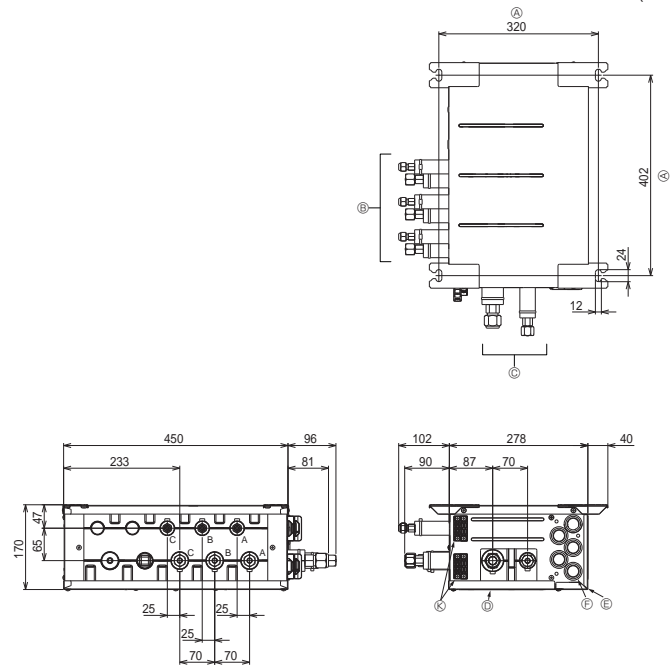


Fig. 4-3

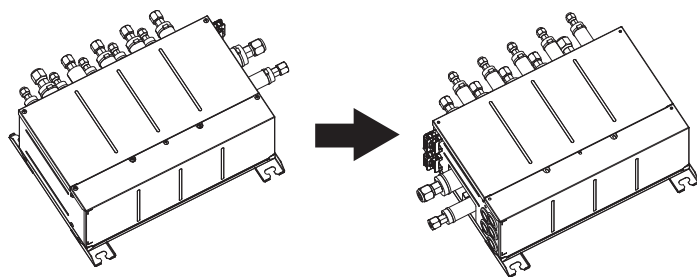
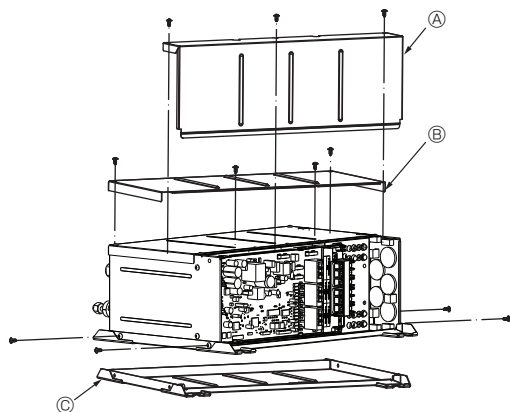


Fig. 4-4

② Elektroabdeckung, Wartungsplatte und Deckplatte entfernen.

- Ⓐ Elektroabdeckung
- Ⓑ Wartungsplatte
- Ⓒ Deckplatte



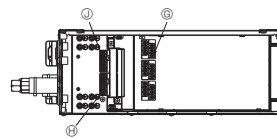
■ PAC-MK30BC (Fig. 4-3)

Aufhängeschraube: W3/8 (M10)

Bördelanschluss der Kältemittelleitung

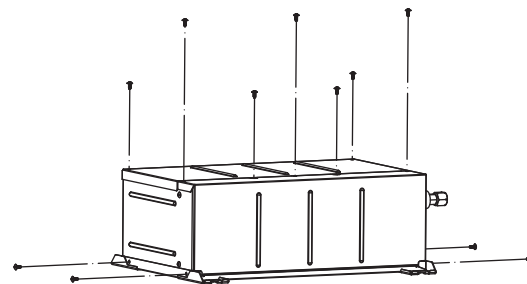
mm

	A	B	C	Zum Außengerät
Flüssigkeitsleitung	ø6,35	ø6,35	ø6,35	ø9,52
Gasleitung	ø9,52	ø9,52	ø9,52	ø15,88



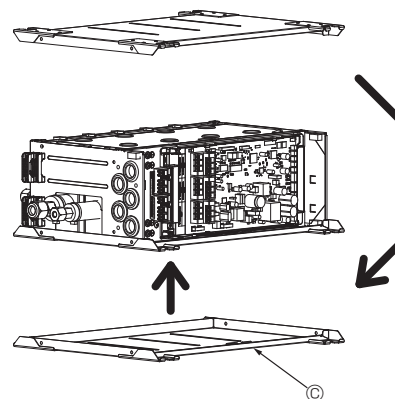
4.1. Die Richtung der Leitung kann geändert werden. (Fig. 4-4). [Arbeitsverfahren] (Fig. 4-5)

① Entfernen Sie die Schrauben in jedem Teil.



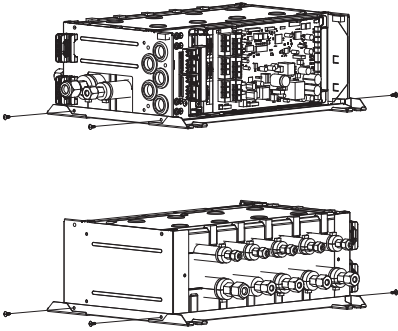
③ Die Deckplatte an der gegenüberliegenden Fläche montieren.

- Ⓒ Deckplatte

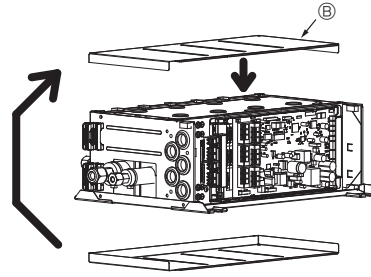


4. Abmessungen und erforderlicher Platz für Reparaturen des Verteilerkastens

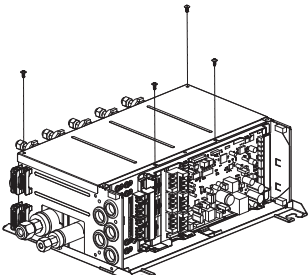
④ Die Schrauben an jedem Teil anziehen.



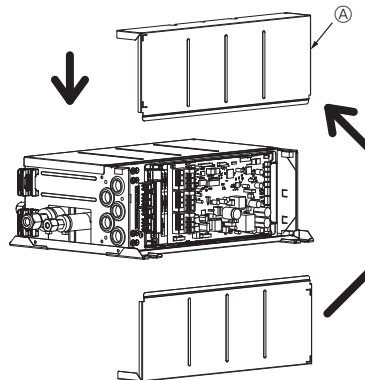
⑤ Die Wartungsplatte an der gegenüberliegenden Fläche montieren.
ⓑ Wartungsplatte



⑥ Die Schrauben anziehen.



⑦ Die Elektroabdeckung an der gegenüberliegenden Fläche montieren.
Ⓐ Elektroabdeckung



⑧ Die Schrauben anziehen.

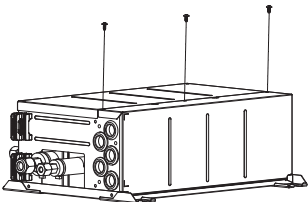


Fig. 4-5

4. Abmessungen und erforderlicher Platz für Reparaturen des Verteilerkastens

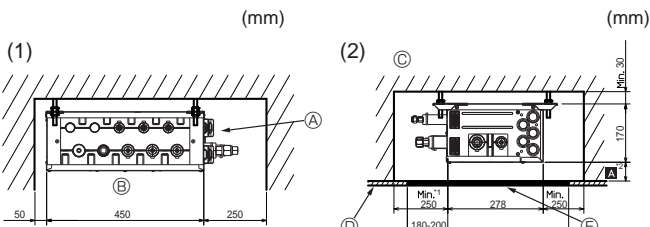


Fig. 4-6

Fig. 4-7

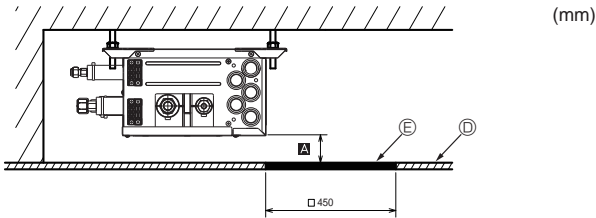


Fig. 4-8

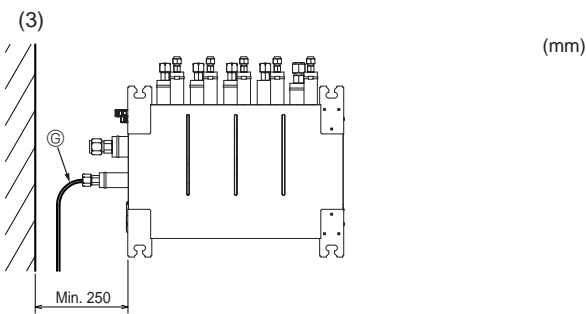


Fig. 4-9

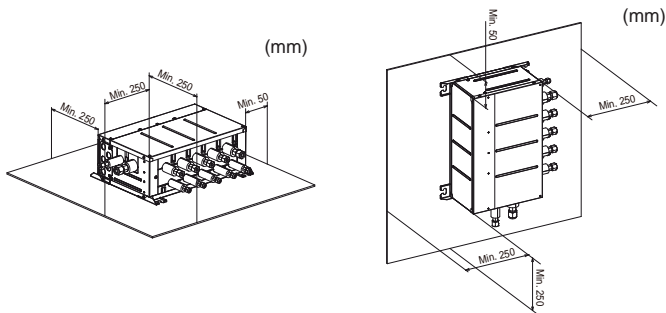


Fig. 4-10

Fig. 4-11

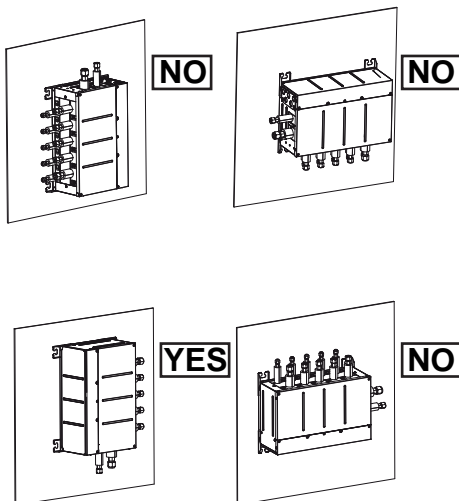


Fig. 4-12

4.2. Erforderlicher Platz für Installation und Wartung

I. Abstand bei Installation mit den Aufhängeschrauben.

- (1) Vorderansicht (Fig. 4-6)
 - Ⓐ Verteilerkasten
 - Ⓑ Verrohrungsseite
- (2) Seitenansicht (Fig. 4-7, Fig. 4-8)
 - Ⓒ Für Inneninstallation
 - Ⓓ Deckenplatte
 - Ⓔ Wartungsöffnung

*1: Für 90° Krümmer der Kältemittelleitung ist ein Minimum von 350 mm erforderlich.

*2: **A** ist "Min. 200 mm" <Empfehlung>.

Bei weniger als 200 mm Länge (wenn z. B. **A** = 100 mm ist), wird ein Reparaturaustausch des Verteilerkastens durch die Wartungsöffnung erschwert (es lassen sich nur PCB, Ventiltfedern mit linearer Ausdehnung, Sensoren und die Abflusswanne austauschen).

*3: **B** ist "□ 450 mm" <Empfehlung>.

Bei "□ 450" bereiten Sie eine Wartungsöffnung an einer PCB-Seite vor (wie in Fig. 4-8 gezeigt), und "Min. 300 mm" ist für den Abstand **A** erforderlich.

Bei weniger als 300 mm Länge (wenn z. B. **A** = 100 mm ist) wird ein Reparaturaustausch des Verteilerkastens, von Ventiltfedern mit linearer Ausdehnung, Sensoren und der Abflusswanne erschwert (es lässt sich nur das PCB austauschen).

- (3) Draufsicht (Fig. 4-9)
 - Ⓒ Kühlmittelrohre

II. Abstand bei Installation auf dem Boden. (Fig. 4-10)

III. The space when installing on a wall. (Fig. 4-11)

Bei Wandinstallation ist die Installationsrichtung begrenzt. (Fig. 4-12)

Bei Wandinstallation des Geräts müssen die mit dem Außengerät verbundenen Leitungen nach unten weisen. Andere Methoden sind nicht akzeptabel.

5. Kühlmittelrohre

* Halten Sie sich immer an die technischen Daten, die in der Installationsanleitung des Außengerätes angegeben sind. Wenn diese Anforderungen überschritten werden, kann dies zu verminderter Leistung und zu Fehlfunktionen führen.

6. Montage des Verteilerkastens

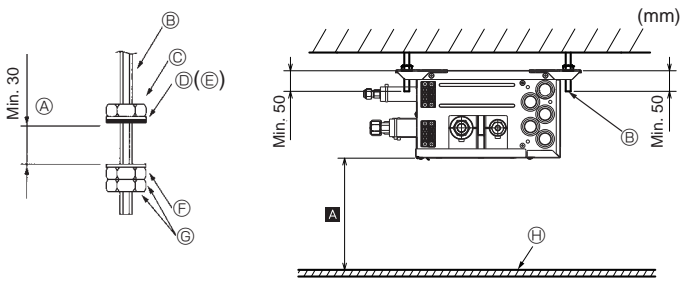


Fig. 6-1

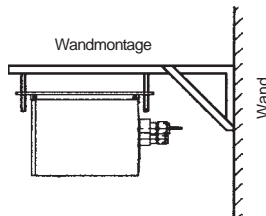
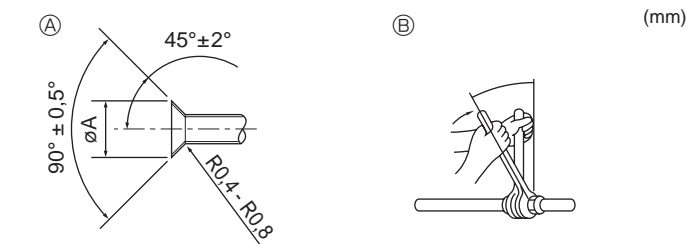


Fig. 6-2

* Erwerben Sie einen geeigneten Montagewinkel, falls das Gerät an einer Wand montiert werden soll.

- (1) Montieren Sie die Tragbolzen (zusätzlich zu erwerben) mit dem angegebenen Abstand (Fig. 4-2, 4-3).
 - (2) Befestigen Sie Unterlegscheiben und Muttern (1,2, zusätzlich zu erwerben) an den Tragbolzen. (Fig. 6-1)
 - (3) Hängen Sie das Gerät an die Tragbolzen.
 - (4) Ziehen Sie die Muttern vollständig fest (Abstand zur Decke prüfen).
 - (5) Benutzen Sie eine Wasserwaage, um den Verteilerkasten waagrecht anzubringen.
- A Wenn das Gerät aufgehängt und die Muttern angezogen sind.
 B Tragbolzen
 C Muttern
 D Unterlegscheibe (mit Isolierung) ①
 E Achten Sie darauf, dass die Isolierung nach unten gerichtet ist
 F Unterlegscheibe (ohne Isolierung) ②
 G Mutter (zusätzlich zu erwerben)
 H Deckenplatte.

7. Installation der Kühlmittelrohre



- (A) Abmessungen der Aufweitungsschnitte
 (B) Anzugsdrehmoment für die Konusmutter

Fig. 7-1

- (A) Abmessungen der Aufweitungsschnitte

Tabelle 1

Kupferrohr O.D. (mm)	Aufweigungsabmessungen $\varnothing A$ Abmessungen (mm)
$\varnothing 6,35$	8,7-9,1
$\varnothing 9,52$	12,8-13,2
$\varnothing 12,7$	16,2-16,6
$\varnothing 15,88$	19,3-19,7

- (B) Anzugsdrehmoment für die Konusmutter

Tabelle 2

Kupferrohr O.D. (mm)	Konusmutter O.D. (mm)	Anzugsdrehmoment (N•m)
$\varnothing 6,35$	17	14-18
$\varnothing 6,35$	22	34-42
$\varnothing 9,52$	22	34-42
$\varnothing 12,7$	26	49-61
$\varnothing 12,7$	29	68-82
$\varnothing 15,88$	29	68-82
$\varnothing 15,88$	36	100-120

- Verbinden Sie die Rohrleitungen für Gase und Flüssigkeiten jedes Innengerätes mit den gleichen Anschlussnummern, die auch an den Aufweigungs-Anschlüssen am Innengerät jedes Verteilerkastens angegeben sind. Wenn der Anschluss an den falschen Anschlussnummern erfolgt, funktioniert die Anlage nicht richtig.
 - Stellen Sie beim Anschluss von Innengeräten sicher, dass Sie die Kühlmittelrohre und Anschlussdrähte an die richtigen Anschlüsse mit gleichen Buchstaben anschließen. (Bsp. A, B, C, D, E)
- Hinweis:
 Achten Sie darauf, alle lokalen Kühlmittelleitungen (Flüssigkeitsleitungen, Gasleitungen usw.) für jedes Innengerät korrekt markieren, mit einer Angabe, welcher Raum das Ziel ist. (Bsp. A, B, C, D, E)
 ► Listen Sie die Modellnamen der Innengeräte auf dem Namensfeld des Steuerkästchens am Verteilerkasten auf (um diese einwandfrei identifizieren zu können).

- Führen Sie ausreichende Anti-Kondensations- und Isolationsarbeiten durch, um zu verhindern, dass Wasser von der Kältemittelleitung heruntertropft. (Flüssigkeitsleitung/Gasleitung)
 - Verstärken Sie die Isolierung je nach der Umgebung, in der die Kältemittelleitung installiert wird, weil sonst Kondensation auf der Oberfläche des Isoliermaterials auftreten kann. (Isoliermaterial Hitzeschutztemperatur: 120 °C, Dicke: 15 mm oder mehr)
 - * Wird die Kältemittelleitung an Orten verlegt, die hohen Temperaturen und hoher Luftfeuchtigkeit ausgesetzt sind, wie z. B. auf dem Dachboden, kann zusätzliche Isolierung erforderlich sein.
 - Um die Kältemittelleitung zu isolieren, fügen Sie hitzefesten Polyethylen-Schaumstoff zwischen Innengerät und Isoliermaterial sowie auf das Netz zwischen dem Isoliermaterial ein, um alle Lücken zu füllen. (Kondensation, die sich auf der Leitung bildet, kann zu Kondensation im Raum oder Verbrennungen bei Berührung der Leitung führen.)
 - Wenn Sie handelsübliche Kühlmittelrohre verwenden, achten Sie darauf, dass sowohl die Flüssigkeits- als auch die Gasleitungen mit thermisch isolierenden Materialien umwickelt sind (das Isolierungsmaterial sollte mindestens 15 mm dick sein und Temperaturen von über 100 °C verkraften können).
 - Lesen Sie die Installationsanleitung des Außengerätes, wenn Sie ein Vakuum erzeugen oder Ventile öffnen und schließen möchten.
- (1) Nehmen Sie die Konusmuttern und -Kappen vom Verteilerkasten ab.
 - (2) Weiten Sie die Enden der Flüssigkeits- und Gasleitungen auf, und tragen Sie Kühlmittelöl (zusätzlich zu erwerben) auf den erweiterten Sitz auf. Tragen Sie kein Öl an den Gewindeabschnitt auf.
 - (3) Schließen Sie das Kühlmittelrohr unverzüglich an. Ziehen Sie die Konusmuttern immer mit dem in der folgenden Tabelle angegebenen Drehmoment an, indem Sie einen Drehmomentschlüssel und einen Doppelschraubenschlüssel verwenden.
 - (4) Drücken Sie die Rohrabdeckungen ③ und ⑤ an den Flüssigkeitsrohren gegen das Gerät und umwickeln Sie sie, um sie zu befestigen. (Fig. 7-3)
 - (5) Drücken Sie die Rohrabdeckungen ④ und ⑥ an den Gasrohren gegen das Gerät und umwickeln Sie sie, um sie zu befestigen. (Fig. 7-3)
 - (6) Schrauben Sie die mitgelieferten Schlauchschellen ⑦ in einem Abstand von etwa 10-20 mm von den Enden der Rohrabdeckungen fest(③④⑤⑥).
 - (7) Wenn das Innengerät nicht angeschlossen wird, bringen Sie die mitgelieferten Rohrabdeckungen (mit Kappen, ⑦ und ⑧) an den Kühlmittelanschlüssen des Verteilerkastens an, um zu vermeiden, dass Kondensat von den Rohren tropft. (Fig. 7-4)
 - (8) Schrauben Sie die Rohrabdeckungen (⑦⑧) mit den mitgelieferten Schlauchschellen⑨ fest.

7. Installation der Kühlmittelrohre

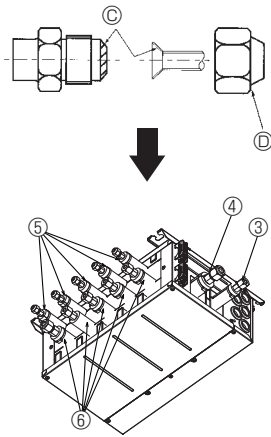


Fig. 7-2

⚠ Vorsicht:
Ziehen Sie die Konusmutter mit einem Drehmomentschlüssel mit der angegebenen Methode fest.
Zu starkes Anziehen bewirkt, dass die Konusmutter reißt und auf lange Sicht Kühlmittel ausläuft.

- Ⓒ Tragen Sie Kühlmittelöl auf die gesamte (Fig. 7.2) Oberfläche des aufgeweiteten Sitzes auf.
- Ⓓ Verwenden Sie grundsätzlich die am Gerät befindlichen Konusmutter (im Handel erhältliche Konusmutter könnten reißen).

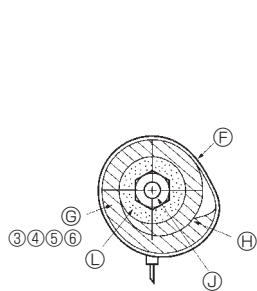


Fig. 7-3

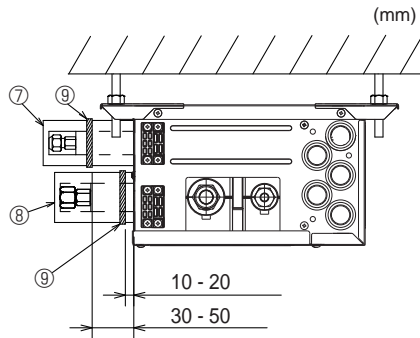


Fig. 7-4

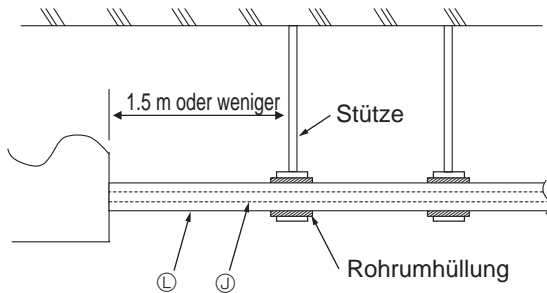


Fig. 7-5

Hinweis:

Bei einigen Innengeräten ist eine spezielle Konusmutter (als Zubehör erhältlich oder als Zusatz zum Gerät vorhanden) erforderlich. Einzelheiten entnehmen Sie bitte der Installationsanleitung des Außengerätes oder des Innengerätes.

- Ⓕ Schlauchschelle Ⓓ
- Ⓖ Rohrabdeckungen ③④⑤⑥
- Ⓗ Festziehen
- Ⓙ Kühlmittelrohr
- Ⓛ Wärmeisolierung für Kühlmittelleitung

► Gehen Sie wie folgt vor für die Teile des Verteilerkastens die nicht an einem Innengerät angeschlossen sind. (Fig. 7-4)

- (1) Zur Verhinderung von Kältemittelaustritt sorgen Sie bitte dafür, daß die Konusmutter gemäß den in Tabelle 3 angegebenen Drehmomenten* angezogen sind.
* Kältemittel kann auch austreten, wenn die Konusmutter stärker als die angegebenen Drehmomente angezogen worden sind.
- (2) Zur Verhinderung von Kondenswasserbildung müssen die Rohrabdeckungen ⑦ installiert und mit den mitgelieferten Bändern ⑨ befestigt werden.

Tabelle 3

Durchmesser der Öffnungen des Verteilerkastens zum Anschluß der Innengeräte (mm)	Anzugsdrehmoment (N•m)
ø6,35	13 ± 2
ø9,52	30 ± 2
ø12,7	50 ± 2

► Kühlmitteladung:

Bitte lesen Sie in der Installationsanleitung für das Außengerät nach. Benutzen Sie nur R410A-Kühlmittel (die Verwendung anderer Kühlmittel kann Probleme verursachen).

⚠ Vorsicht:

Um übermäßige Belastung des Abzweigkastens zu vermeiden, ist die Leitung mit einer oder mehreren Stützen in einem Abstand von 1,5 m oder weniger vom Abzweigkasten abzustützen. Siehe Fig. 7-5 als Beispiel.

- Ⓛ Kältemittelleitung
- Ⓛ Wärmeisolierung für Kältemittelleitung

8. Elektroarbeiten

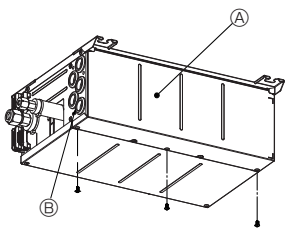


Fig. 8-1

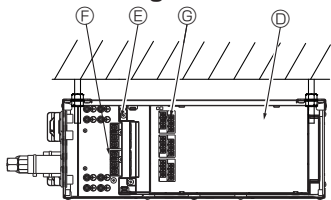


Fig. 8-3

- Ⓐ Elektroabdeckung
- Ⓑ Gummitülle
- Ⓒ Kabel
- Ⓓ Schalttafel
- Ⓔ Klemmenblock: TB5
- Ⓕ Klemmenblock: TB2B
<Zum Außengerät>
- Ⓖ Klemmenblock: TB3A-TB3E
<Zum Innengerät>
- Ⓗ Erdklemme <Zum Außengerät>

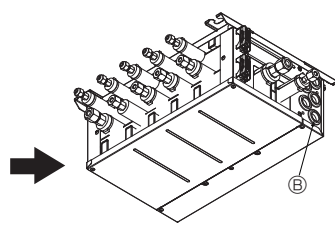


Fig. 8-2

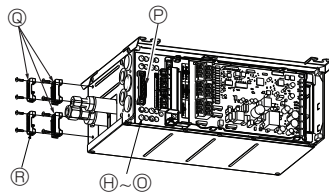


Fig. 8-4

- Ⓚ Erdklemme <Für TB3A>
- Ⓛ Erdklemme <Für TB3B>
- Ⓜ Erdklemme <Für TB3D>
- Ⓝ Erdklemme <Für TB3C>
- Ⓟ Erdklemme <Für TB3E>
- Ⓡ Erdklemme
<Zu anderem Abzweigkasten>
- Ⓢ Kabelklemme <Für TB2B>
- Ⓣ Kabelklemme <Für TB3A-TB3E>
- Ⓤ Kabelklemme <Für TB5>

► **Vorsichtsmaßnahmen für die elektrische Installation.**

⚠ **Warnung:**

- Benutzen Sie immer einzeln abgesicherte Schaltkreise und achten Sie auf die angegebene Spannung.
- Stromkreise mit zu schwacher Leistung sowie Fehler in der Installation können einen elektrischen Schlag oder Brände verursachen.

⚠ **Vorsicht:**

- Achten Sie auf eine korrekte Erdung der Leitungen. Erden Sie das Gerät nicht an einer Versorgungsleitung, einem Fangseil oder einer Telefonerde. Eine schlechte Erdung kann einen elektrischen Schlag verursachen. Ein starker Stromimpuls, wie er während eines Blitzeinschlags oder durch andere Ursachen auftritt, kann Schäden am Klimagerät verursachen.
- Benutzen Sie die angegebene elektrische Verkabelung, stellen Sie sicher, dass alle Anschlüsse richtig vorgenommen wurden und dass keine Kabel unter Spannung verlegt sind. Die Nichtbeachtung dieser Erfordernisse kann zu Kabelbruch, Überhitzung oder Feuer führen.

► Stellen Sie die Schalter ein, bevor Sie den Abzweigkasten einschalten.

► Zum Einschalten der Stromversorgung schalten Sie zuerst den Abzweigkasten, und dann das Außengerät in dieser Reihenfolge ein.

(Bei getrennter Stromversorgung für Abzweigkasten und Außengerät)

► Die Verkabelung zwischen Verteilerkasten und Außengerät sowie zwischen Verteilerkasten und Innengerät fungiert sowohl als Stromversorgung wie auch als Signalleitung. Schließen Sie die Adern entsprechend der Nummern auf dem Anschlussblock an, um die korrekte Polarität zu berücksichtigen.

► Vergewissern Sie sich, dass an jedem Innengerät die richtigen Kühlmittelverbindungen und elektrischen Verbindungen hergestellt wurden. Eine falsche Verkabelung stört den korrekten Betrieb des Gerätes.

► **Schließen Sie Kühlmittelleitungen und Anschlusskabel an übereinstimmend nummerierte Anschlüsse an (Bsp. A, B, C, D, E) an diesem Gerät.**

► Schließen Sie zuerst das Stromversorgungskabel vom Außengerät an.

► Befestigen Sie jedes Massekabel (Erdung) mit einer eigenen Erdungsschraube.

► Um zu vermeiden, dass die Verkabelung in der Decke von Ratten usw. angegriffen wird, sollte sie in Kabelkanälen geführt werden.

1. Entfernen Sie die Schrauben der Abdeckung. (Fig. 8-1)
2. Führen Sie die Kabel in den Abzweigkasten ein, und sichern Sie jedes Kabel mit einem Kabelbinder.
3. Schließen Sie jedes Kabel am zugehörigen Anschlussblock an. (Fig. 8-8)
4. DIP-Schalter einstellen. (Siehe 8.3)
5. Die Elektroabdeckung wieder anbringen.

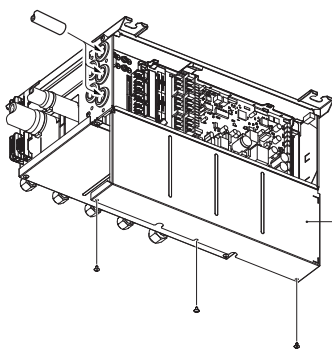


Fig. 8-5

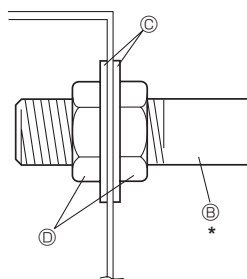


Fig. 8-6

8.1. Bei Verwendung von Kabelkanälen (Fig. 8-5,6,7)

Montieren Sie die horizontale Abdeckung, wenn der Kabelkanal an Ort und Stelle befestigt ist.

- Ⓐ Abdeckung
- Ⓑ Kabelkanal
- Ⓒ Unterlegscheibe
- Ⓓ Mutter

Es kann ein Kabelkanal von bis zu 1" Außendurchmesser verwendet werden.

(1) Bei Verwendung von einem 1"-Kabelkanal entfernen Sie die Kabeldurchführung und befestigen Sie ihn am Verteilerkasten. Nehmen Sie die horizontale Abdeckung ab, während Sie den Kanal am Verteilerkasten befestigen.

(2) Bei Verwendung von Kabelkanal mit 3/4" Außendurchmesser oder kleiner schneiden sie die Durchführung ein und führen Sie den Kabelkanal etwa 100 mm in den Verteilerkasten ein.

* Montieren Sie die horizontale Abdeckung, wenn der Kabelkanal an Ort und Stelle befestigt ist.

⚠ **Vorsicht:**

Um übermäßige Belastung des Abzweigkastens zu vermeiden, ist der Kabelkanal Ⓑ mit einer oder mehreren Stützen in einem Abstand von 1,5 m oder weniger vom Abzweigkasten abzustützen.

Siehe Fig. 8-7 als Beispiel.

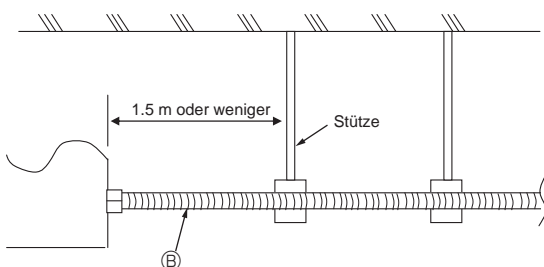


Fig. 8-7

8. Elektroarbeiten

■ Getrennte Stromversorgung von Abzweigkasten und Außengerät

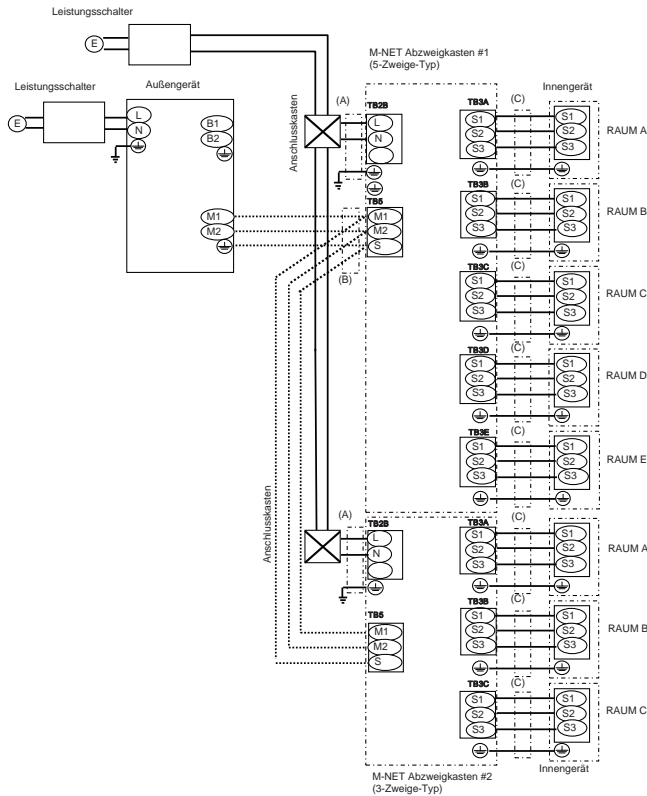
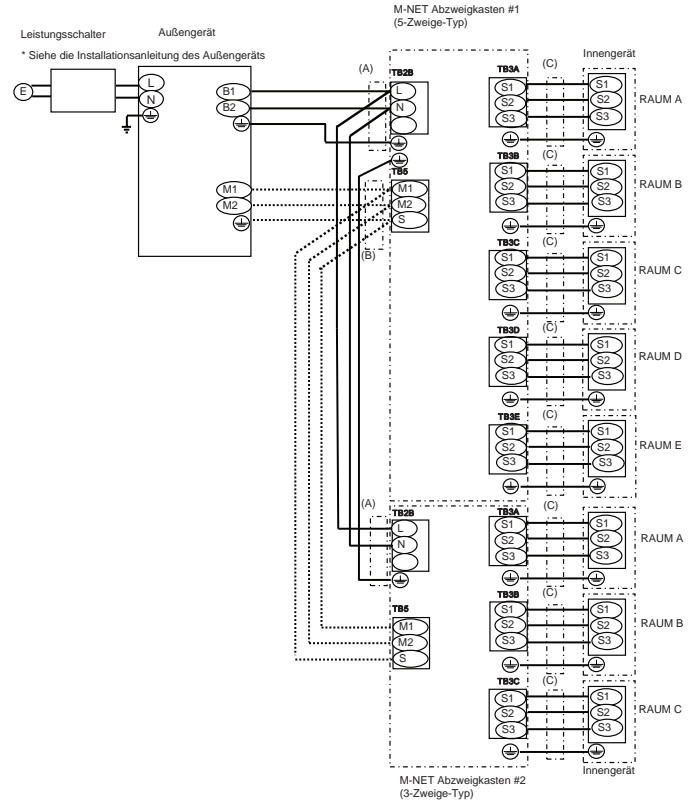


Fig. 8-8

8.2. Externe Verkabelung (Fig. 8-8, Fig 8-9)

■ Stromversorgung vom Außengerät



Ⓒ Stromversorgung: Einphasenstrom 220/230/240 V 50 Hz, 220 V 60 Hz

Hinweis:

- ① Schließen Sie die Leitungen (B), (C) entsprechend den Klemmenblocknamen an, um korrekte Polarität zu gewährleisten.
- ② Was die Leitungen (C) betrifft, so dienen S1 und S2 dem Anschluss der Stromquelle. S2 und S3 sind für Signale vorgesehen. S2 ist ein gemeinsames Kabel für Stromquelle und Signal.

Drahtdurchmesser		
(A) Hauptstromleitung/ Erdleitung	(B) M-NET Kabel Abschirm- draht CVVS oder CPEVS	(C) Signalleitung/ Erdleitung
3-Ader 2,5 mm ²	2-Ader 1,25 mm ² Weniger als 200 m	4-Ader 1,25 mm ² Weniger als 25 m

Wenn verdrehte Drähte für die Verkabelung verwendet werden, ist die Verwendung einer Rundklemme erforderlich.

- Hinweise:**
- 1. Die Leitungsgröße muss den jeweiligen örtlichen und nationalen Vorschriften entsprechen.
 - 2. Netzkabel und Verbindungskabel zwischen Innengerät/Abzweigkasten/ Außengerät dürfen nicht leichter als Polychloropren-abgeschirmte, flexible Kabel sein. (Ausführung 60245 IEC 57)
 - 3. Achten Sie darauf, dass die Erdungsleitung länger ist als die spannungsführenden Kabel.
 - 4. Bündeln Sie das M-NET-Kabel nicht mit dem Anschlusskabel und dem Stromversorgungskabel zusammen. Dies kann fehlerhaften Betrieb verursachen.

⚠ Warnung:

Das Kabel darf auf keinen Fall gespleißt werden, weil es sonst zu Rauchentwicklung, einem Brand oder einem Kommunikationsausfall kommen kann.

M-NET Abzweigkasten (5-Zweige-Typ)

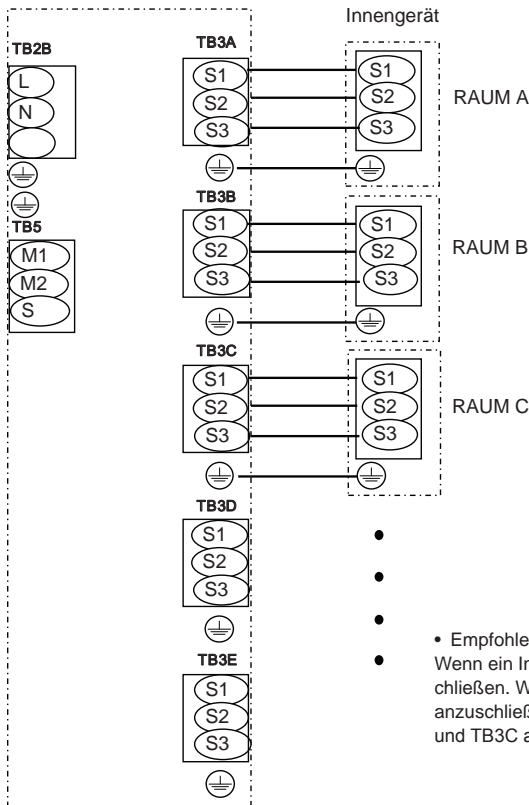


Fig. 8-9

- Empfohlene Anschlussmethode

Wenn ein Innengerät an den Abzweigkasten angeschlossen wird, ist es an TB3A anzuschließen. Wenn 2 Innengeräte angeschlossen werden, sind diese an TB3A und TB3B anzuschließen. Wenn 3 Innengeräte angeschlossen werden, sind diese an TB3A, TB3B und TB3C anzuschließen. Innengeräte in der Reihenfolge A→B→C→D→E anschließen.

8. Elektroarbeiten

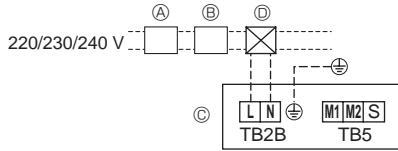


Fig. 8-10

■ Stromversorgungskabel (Getrennte Stromversorgung von Abzweigkasten und Außengerät)

- Installieren Sie eine Erdleitung, die länger als die anderen Kabel ist.
- Die Stromversorgungskabel des Geräts dürfen nicht leichter als die Norm 245 IEC 57 oder 227 IEC 57, 245 IEC 53 oder 227 IEC 53 sein.
- Ein Schalter mit einer Kontakttrennung von mindestens 3 mm, 1/8 Zoll, an jedem Pol ist bei der Installation der Klimaanlage bereitzustellen.

[Fig. 8-10]

- Ⓐ Fehlerstrom-Schutzschalter
- Ⓑ Lokaler Schalter/Kabeltrennschalter
- Ⓒ Abzweigkasten
- Ⓓ Anschlusskasten

Gesamtbetriebsstrom des Innengeräts	Minimale Drahtdicke (mm ² /AWG)					Trennschalter für Verkabelung (NFB)	Fehlerstrom-Schutzschalter *1
	Hauptkabel	Zweingleitung	Erde	Kapazität	Sicherung		
F0 = 15 A oder weniger *2	2,1/14	2,1/14	2,1/14	15	15	15	15A Stromempfindlichkeit *3
F0 = 20A oder weniger *2	3,3/12	3,3/12	3,3/12	20	20	20	20A Stromempfindlichkeit *3
F0 = 30A oder weniger *2	5,3/10	5,3/10	5,3/10	30	30	30	30A Stromempfindlichkeit *3

IEC 61000-3-3 über höchstzulässige Systemimpedanz anwenden.

*1 Der Fehlerstrom-Schutzschalter sollte den Wechselrichterkreis unterstützen.

Der Fehlerstrom-Schutzschalter sollte den Gebrauch des lokalen Schalters oder Kabeltrennschalters kombinieren.

*2 Bitte nehmen Sie den größeren Wert von F1 oder F2 als Wert für F0.

F1 = Maximaler Gesamtbetriebsstrom der Innengeräte x 1,2

F2 = (V1/C)

An Abzweigkasten anschließen (PAC-MK*BC)

Innengerät	V1	V2
Typ 1 SEZ-KD*VA, PCA-RP*KAQ, PLA-ZRP*BA(.UK)	19,8	2,4
Typ 2 PEAD-RP*JAQ(L).UK	26,9	
Typ 3 MLZ-KA*VA, SLZ-KA*VAQ(L)3	9,9	
Typ 4 MSZ-FH*VE, MSZ-SF*VE, MSZ-EF*VE, MSZ-SF*VA	6,8	
Typ 5 MFZ-KJ*VE	7,4	
Typ 6 Abzweigkasten (PAC-MK*BC)	5,1	

An Anschlussatz anschließen (PAC-LV11M)

Innengerät	V1	V2
Typ 1 MSY-EF*VE, MSY-GE*VA, MSY-GH, MSZ-GE*VA, MSZ-SF*VA, MSZ-SF*VE, MSZ-EF*VE, MSZ-FH*VE	6,8	2,4
Typ 2 MFZ-KJ*VE	7,4	
Typ 3 Anschlussatz (PAC-LV11M)	3,5	

Innengerät	V1	V2
Typ 1 PMFY-VBM, PLFY-VBM, PEFY-VMS1, PCFY-VKM, PKFY-VHM, PKFY-VKM, PFFY-VLRMM, PFFY-VKM	19,8	2,4
Typ 2 PLFY-VCM	9,9	
Typ 4 PKFY-VBM	3,5	
Typ 5 PEFY-VMA	38,0	1,6
Typ 6 PLFY-VLMD, PEFY-VMH, PEFY-VMR, PDFY-VM, PFFY-VLEM, PFFY-VLRM	0	0

C: Vielfaches des Auslösestroms bei einer Auslösezeit von 0,01 s

Bitte nehmen Sie "C" von der Auslösecharakteristik des Trennschalters.

**Bedingung Abzweigkasten x 2 + SEZ-KD*VA x 5, C=8 (siehe rechtes Musterdiagramm)

F2 = 5,1 x 2/8 + 19,8 x 5/8

= 14,9

→ 16 A Trennschalter (Auslösestrom = 8 x 16 A bei 0,01 s)

*3 Die Stromempfindlichkeit wird anhand der folgenden Formel berechnet.

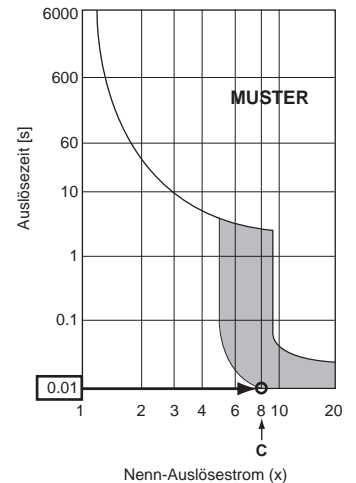
G1 = V2 + V3 x (Drahtlänge [km])

G1	Stromempfindlichkeit
30 oder weniger	30 mA 0,1 Sek. oder weniger
100 oder weniger	100 mA 0.1Sek. oder weniger

Drahtdicke (mm ² /AWG)	V3
2,1/14	48
3,3/12	56
5,3/10	66

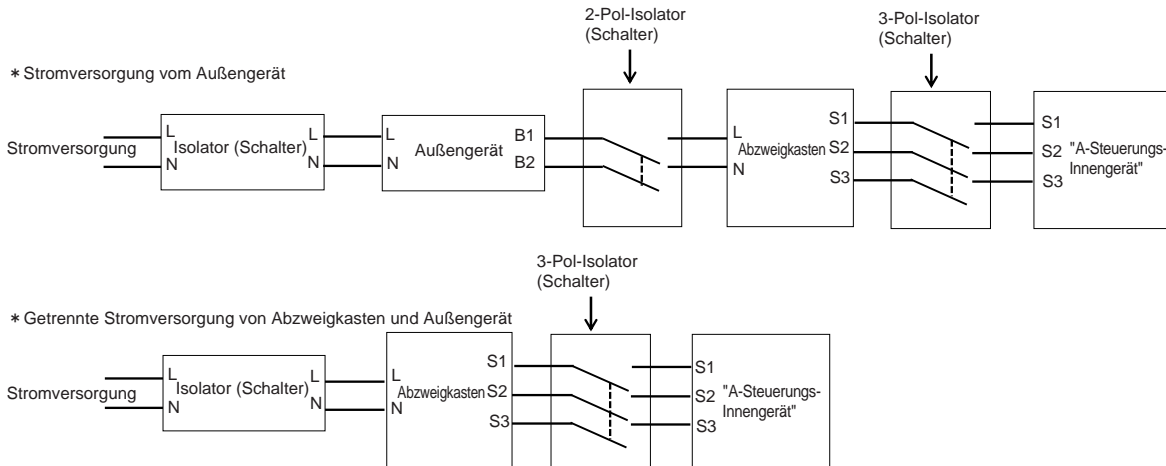
Innengerät	V2
Innengerät	2,4
Abzweigkasten	3,0

Musterdiagramm



⚠ Warnung:

Im Falle von A-Steuerungs-Verkabelung liegt ein hohes Spannungspotenzial an der Klemme S3 an, das von einem Stromkreisdesign verursacht wird, das keine elektrische Isolierung zwischen der Stromleitung und der Kommunikationssignalleitung besitzt. Schalten Sie daher bei der Wartung die Hauptstromversorgung aus. Und berühren Sie nicht die Klemmen S1, S2, S3, wenn die Stromversorgung eingeschaltet ist. Falls ein Isolator zwischen Außengerät und Abzweigkasten/ Innengerät und Abzweigkasten erforderlich ist, verwenden Sie bitte einen 3-Pol-Typ.

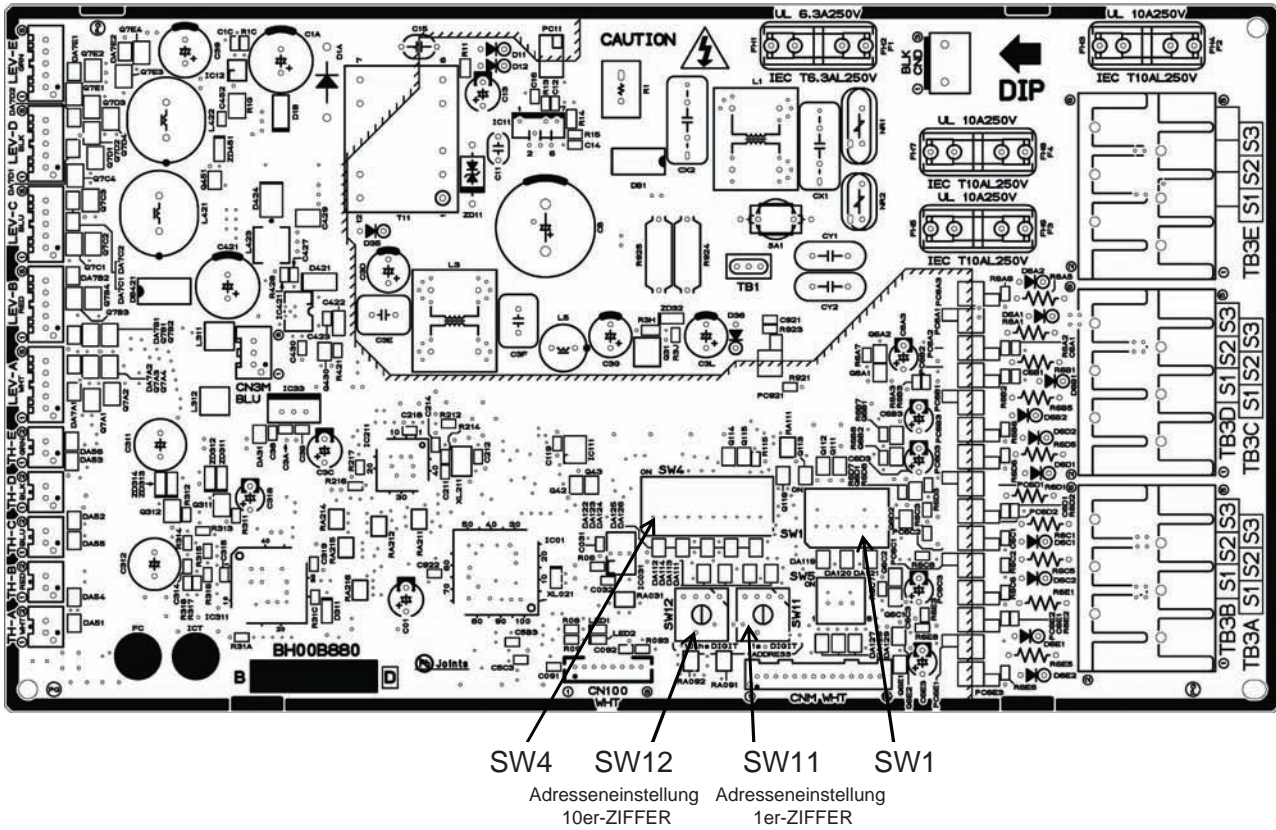


⚠ Achtung:

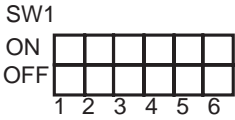
Schalten Sie nach dem Gebrauch des Isolators die Hauptstromversorgung aus und ein, um das System zurückzusetzen. Anderenfalls ist das Außengerät u. U. nicht in der Lage, den Abzweigkasten bzw. die Abzweigkästen oder Innengeräte zu erkennen.

8. Elektroarbeiten

8.3. Schaltereinstellung



DIP-Schalter-Einstellung (nur vor dem Einschalten der Stromversorgung wirksam)



Innengerät A
 Innengerät B
 Innengerät C
 Innengerät D
 Innengerät E
 Nicht belegt

Schalter	OFF	ON
SW1-1	Nein	Ja
SW1-2	Nein	Ja
SW1-3	Nein	Ja
SW1-4	Nein	Ja
SW1-5	Nein	Ja
SW1-6		

Adressenschalter (Nur vor dem Einschalten der Stromversorgung wirksam)

Die tatsächliche Innengeräte-Adresseneinstellung hängt vom jeweiligen System ab. Einzelheiten zur Durchführung der Adresseneinstellung entnehmen Sie bitte der Installationsanleitung des Außengeräts. Jede Adresse wird mit einer Kombination der Einstellungen für die 10er-Ziffer und die 1er-Ziffer eingestellt.

(Beispiel)

- Zum Einstellen der Adresse auf "3" setzen Sie die 1er-Ziffer auf 3 und die 10er-Ziffer auf 0.
- Zum Einstellen der Adresse auf "25" setzen Sie die 1er-Ziffer auf 5 und die 10er-Ziffer auf 2.

(Beispiel)

- Um die Adresse des Abzweigkastens auf „3“ einzustellen, wird jedem Innengerät, beginnend bei Gerät A, eine Adresse zugewiesen, wie unten gezeigt, ohne Rücksicht darauf, ob jedes Innengerät angeschlossen ist oder nicht. (SW1-1-5 ON)

Innengeräts A Address 3
 Innengeräts B Address 4
 Innengeräts C Address 5
 Innengeräts D Address 6
 Innengeräts E Address 7

- Wenn die Adresse auf „25“ eingestellt wird und 3 Innengeräte (Gerät A, Gerät C und Gerät E) angeschlossen sind. (SW1-1, 1-3, 1-5 ON)

Innengeräts A Address 25
 Innengeräts C Address 26
 Innengeräts E Address 27

9. Probelauf

- Siehe den Abschnitt „Probelauf“ in der Installationsanleitung der Innengeräte und des Außengeräts.
- Wenn die Stromversorgung von Abzweigkasten und Außengerät getrennt ist, schalten Sie zuerst die Stromversorgung des Abzweigkastens und dann die des Außengeräts ein.

• Nach der Stromzufuhr oder nach einem längeren Betriebsstopp kann ein leises Klickgeräusch aus dem Abzweigkasten hörbar sein. Die Ursache dafür ist das Öffnen und Schließen des elektronischen Expansionsventils. Es bedeutet keinen Defekt des Geräts.

- Führen Sie den Probelauf für jedes Innengerät im Kühlmodus durch. Vergewissern Sie sich, dass jedes Innengerät gemäß den Angaben in der beigefügten Installationsanleitung einwandfrei läuft.
- Wenn Sie den Probelauf für alle Innengeräte gleichzeitig durchführen, können Sie keinen etwaigen fehlerhaften Anschluss der Kältemittelleitungen und der Verbindungskabel von Innengerät/Außengerät feststellen.
- Um falsche Verkabelung festzustellen, führen Sie den Probelauf für jedes Innengerät einzeln durch.

⚠ Achtung:

- **Verwenden Sie die Fernbedienung zur Bedienung des Innengeräts.**
- **Die folgenden Symptome stellen keine Funktionsstörungen dar.**

Symptom	Ursache	LED-Anzeige des Innengeräts *
Das Innengerät funktioniert nicht, trotz Einstellung auf Kühlbetrieb (Heizbetrieb)	Es erfolgt kein Kühlbetrieb (Heizbetrieb), wenn ein anderes Innengerät im Heizbetrieb (Kühlbetrieb) läuft.	Bereitschaft (Für Multi-System)
Das Gebläse des Innengeräts stoppt während des Heizbetriebs	Das Gebläse stoppt während des Abtaubetriebs.	-
	Das Gebläse stoppt, wenn der Kältemittel-Sammelmodus ** aktiviert wird.	Bereitschaft (Für Multi-System)

* Einzelheiten dazu finden Sie in der Bedienungsanleitung der Innengeräte.

**Dieser Modus wird etwa 1 Minute lang aktiviert, um unzureichende Kältemittelzufuhr während des Heizbetriebs zu vermeiden, wenn Kältemittel in einem Innengerät gespeichert ist, das ausgeschaltet wurde bzw. dessen Thermostat ausgeschaltet wurde.

Index

1. Consignes de sécurité	26	6. Montage du boîtier de dérivation	31
2. Choix d'un endroit pour l'installation	26	7. Installation des tuyaux de réfrigérant	31
3. Vérification des accessoires fournis	27	8. Installations électriques	33
4. Dimensions et espace requis pour l'entretien du boîtier de dérivation	27	9. Marche d'essai	37
5. Tuyau de réfrigérant	30		

Ce manuel d'installation n'est dédié qu'à l'installation d'un boîtier de dérivation. Se reporter au manuel d'installation propre à chaque appareil lors de l'installation d'appareils intérieurs et extérieurs.

1. Consignes de sécurité

- ▶ Avant d'installer le climatiseur, lire attentivement toutes les "Consignes de sécurité".
- ▶ Veuillez consulter ou obtenir la permission votre compagnie d'électricité avant de connecter votre système.
- ▶ La série PAC-MK•BC est conçue comme un équipement professionnel.
- ▶ Lorsque le courant provient de l'unité extérieure, les normes applicables pour l'unité extérieure pourraient ne pas être respectées selon l'unité intérieure utilisée.

⚠ Avertissement:

Précautions à suivre pour éviter tout danger de blessure ou de décès de l'utilisateur.

⚠ Précaution:

Décrire les précautions qui doivent être prises pour éviter d'endommager l'appareil.

⚠ Avertissement:

- L'utilisateur ne doit pas installer l'unité.
- Contacter un revendeur ou un technicien agréé pour installer l'appareil.
- Pour l'installation, respecter les instructions du manuel d'installation et utiliser des outils et des composants de tuyau spécialement conçus pour une utilisation avec le réfrigérant spécifié dans le manuel d'installation de l'appareil extérieur.
- L'appareil doit être installé conformément aux instructions pour réduire les risques de dommages liés à des tremblements de terre, des typhons ou des vents violents. Une installation incorrecte peut entraîner la chute de l'appareil et provoquer des dommages ou des blessures.
- L'appareil doit être solidement installé sur une structure pouvant supporter son poids.
- Si le climatiseur est installé dans une petite pièce, certaines mesures doivent être prises pour éviter que la concentration de réfrigérant ne dépasse le seuil de sécurité en cas de fuite. En cas de fuite de réfrigérant et de dépassement du seuil de concentration, des risques liés au manque d'oxygène dans la pièce peuvent survenir.
- Aérer la pièce en cas de fuite de réfrigérant lors de l'utilisation. Le contact du réfrigérant avec une flamme peut provoquer des émanations de gaz toxiques.
- Tout travail sur les installations électriques doit être effectué par un technicien qualifié conformément aux réglementations locales et aux instructions fournies dans ce manuel.
- N'utiliser que les câbles spécifiés pour les raccordements.
- Le couvercle du bloc de sortie de l'appareil doit être solidement fixé.
- N'utiliser que les accessoires agréés par Mitsubishi Electric et contacter un revendeur ou un technicien agréé pour les installer.
- L'utilisateur ne doit jamais essayer de réparer ou de déplacer l'appareil.
- Une fois l'installation terminée, vérifier les éventuelles fuites de réfrigérant. Si le réfrigérant fuit dans la pièce et entre en contact avec la flamme d'un chauffage ou d'une cuisinière, des gaz toxiques peuvent se dégager.
- Veiller à relier les cordons d'alimentation et les fils de raccordement des appareils intérieurs, des appareils extérieurs et des boîtiers de dérivation directement sur les appareils (sans raccordement intermédiaire). Les raccordements intermédiaires peuvent engendrer des erreurs de communication si de l'eau s'infiltré dans les cordons et les fils et provoquent une isolation insuffisante de la mise à la terre ou un mauvais contact électrique au niveau du point de raccordement intermédiaire.

2. Choix d'un endroit pour l'installation

* Le boîtier de dérivation est destiné uniquement à une utilisation intérieure.

- Vérifier que le boîtier de dérivation est installé dans un endroit pratique pour l'entretien et la maintenance (vérifier que l'espace ou les orifices d'entretien nécessaires sont accessibles).

- Ne pas installer à proximité de chambres. Le bruit de l'écoulement du réfrigérant dans les tuyaux peut parfois s'entendre.
- Vérifier qu'il est placé dans un endroit où le bruit en fonctionnement ne représente pas un problème.

Une fois sous tension ou après un arrêt prolongé, un cliquetis provenant de l'intérieur du boîtier de dérivation se fait entendre. Le détendeur électronique s'ouvre et se ferme. L'appareil n'est pas défectueux.

- Déterminer l'agencement des tuyaux de réfrigérant et des câbles électriques avant l'installation.

Une fois l'installation terminée, expliquer les "Consignes de sécurité", l'utilisation et l'entretien de l'appareil au client conformément aux informations du mode d'emploi et effectuer l'essai de fonctionnement en continu pour garantir un fonctionnement normal. Le manuel d'installation et le mode d'emploi doivent être fournis à l'utilisateur qui doit les conserver. Ces manuels doivent également être transmis aux nouveaux utilisateurs.

⚡ : Indique un élément qui doit être mis à la terre.

⚠ Avertissement:

Prendre soin de lire les étiquettes se trouvant sur l'appareil principal.

⚠ Précaution:

- Vérifier que les tuyaux de réfrigérant sont bien isolés pour empêcher la formation de condensation. Une isolation incomplète peut provoquer de la condensation à la surface des tuyaux, l'apparition d'humidité au niveau du plafond et du sol, ainsi qu'à d'autres éléments importants.
- Ne pas utiliser l'appareil dans un environnement inhabituel. Si le climatiseur est installé dans des endroits exposés à la vapeur, à l'huile volatile (notamment l'huile de machine), au gaz sulfurique ou à une forte teneur en sel, par exemple, en bord de mer, les performances peuvent considérablement diminuer et les pièces internes de l'appareil être endommagées.
- Ne pas installer l'appareil dans des endroits où des gaz de combustion peuvent s'échapper, se dégager ou s'accumuler. L'accumulation de gaz de combustion autour de l'appareil peut provoquer un incendie ou une explosion.
- Lors de l'installation de l'appareil dans un hôpital ou un centre de communications, se préparer au bruit et aux interférences électroniques. Les inverseurs, les appareils électroménagers, les équipements médicaux haute fréquence et de communications radio peuvent provoquer un dysfonctionnement ou une défaillance du climatiseur. Le climatiseur peut également endommager les équipements médicaux et de communications, perturbant ainsi les soins et réduisant la qualité d'affichage des écrans.
- Isoler le tuyau de réfrigérant pour éviter la condensation. S'il n'est pas correctement isolé, de la condensation risque de se former.
- Placer un isolant thermique sur les tuyaux pour éviter la condensation. L'installation incorrecte du tuyau d'écoulement peut provoquer des fuites d'eau et endommager le plafond, le sol, les meubles ou d'autres objets.
- Ne pas nettoyer le climatiseur à l'eau au risque de provoquer un choc électrique.
- Serrer tous les écrous évasés conformément aux spécifications à l'aide d'une clé dynamométrique. S'ils sont trop serrés, ils peuvent casser après une période prolongée.
- Veillez à installer des coupe-circuits. Sinon, une électrocution pourrait en résulter.
- Pour les lignes d'alimentation, utilisez des câbles standard de capacité suffisante. Sinon, un court-circuit, une surchauffe ou un incendie pourraient en résulter.
- Lors de l'installation des lignes d'alimentation, ne pas mettre les câbles sous tension. Si les raccordements sont lâches, les câbles peuvent se rompre ou surchauffer et entraîner un incendie.
- Ne raccordez pas les câbles de mise à la terre aux tuyaux du gaz ou de l'eau, aux poteaux d'éclairage ou aux lignes de mise à la terre du téléphone. Si l'unité n'est pas mise à la terre correctement, des électrocutions pourraient en résulter.

- Vérifier que l'endroit d'installation est tel que la longueur des tuyaux de réfrigérant ne dépasse pas les limites spécifiées.

* Ne pas procéder à l'installation dans un endroit qui est chaud ou humide pendant de longues périodes.

- Vérifier que le boîtier de dérivation est installé au-dessus du plafond du couloir, de la salle de bain, etc. c'est-à-dire dans un endroit peu fréquenté (éviter de procéder à l'installation au milieu de la pièce) pour la maintenance.

- * Vérifier que l'appareil est installé dans un endroit capable de supporter son poids.

⚠ Avertissement:

Vérifier que l'appareil est correctement installé dans un endroit capable de supporter son poids.

Si l'installation manque de solidité, l'appareil peut tomber et provoquer des blessures.

3. Vérification des accessoires fournis

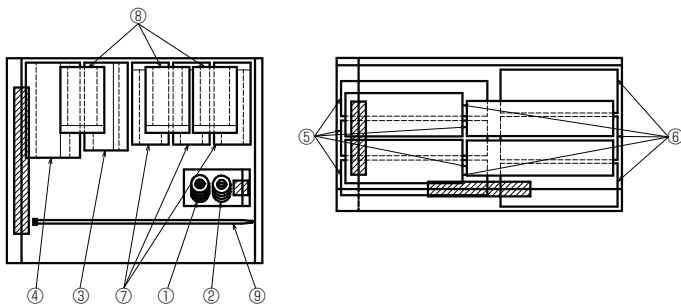


Fig. 3-1

3.1. Vérifier les accessoires et les pièces du boîtier de dérivation

	Nom des accessoires	Qté		
		PAC-MK30BC	PAC-MK50BC	
①	Rondelle (isolée)	4	4	
②	Rondelle	4	4	
③	Cache-tuyaux (liquide)	1	1	Vers l'appareil extérieur
④	Cache-tuyaux (gaz)	1	1	Vers l'appareil extérieur
⑤	Cache-tuyaux (liquide)	3	5	Vers l'appareil intérieur
⑥	Cache-tuyaux (gaz)	3	5	Vers l'appareil intérieur
⑦	Couvre-joint (liquide)	1	3	
⑧	Couvre-joint (gaz)	1	3	
⑨	Sangle	16	24	

4. Dimensions et espace requis pour l'entretien du boîtier de dérivation

Joint optionnels de différents diamètres (déformés)

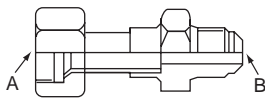
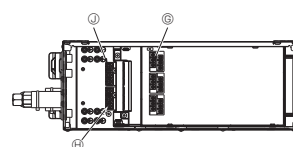
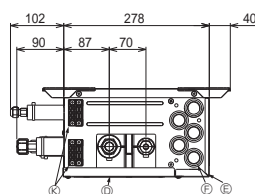
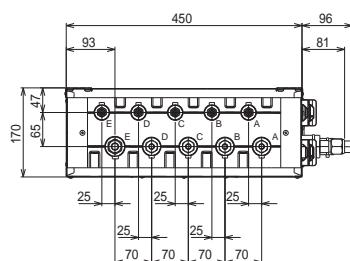
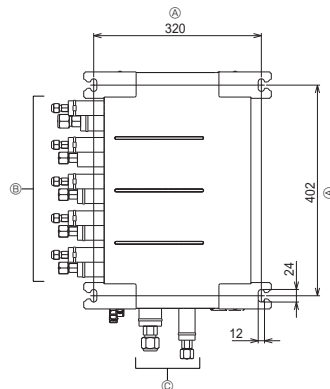


Fig. 4-1

Nom de modèle	Diamètre des tuyaux raccordés	Diamètre A	Diamètre B
	mm		
MAC-A454JP	ø9,52 → ø12,7	ø9,52	ø12,7
MAC-A455JP	ø12,7 → ø9,52	ø12,7	ø9,52
MAC-A456JP	ø12,7 → ø15,88	ø12,7	ø15,88
PAC-493PI	ø6,35 → ø9,52	ø6,35	ø9,52
PAC-SG76RJ-E	ø9,52 → ø15,88	ø9,52	ø15,88

■ PAC-MK50BC (type à 5 embranchements)

(mm)



Formule de conversion

1/4 F	ø6,35
3/8 F	ø9,52
1/2 F	ø12,7
5/8 F	ø15,88
3/4 F	ø19,05

- * Il est possible de raccorder deux appareils intérieurs minimum à un système.
- * Vous pouvez raccorder jusqu'à 2 boîtiers de dérivation sur 1 unité extérieure.
- * Boulon de suspension : W3/8 (M10)
- * Raccord évasé des tuyaux de réfrigérant

* La taille des raccords de tuyau diffère selon le type et la capacité des appareils intérieurs. Adapter la taille du raccordement du tuyau de l'appareil intérieur et du boîtier de dérivation. Si la taille du raccordement du tuyau du boîtier de dérivation diffère de celle du raccordement du tuyau de l'appareil intérieur, utiliser des joints (déformés) d'un diamètre différent (disponibles en option) au niveau du boîtier de dérivation. (Raccorder le joint déformé directement au niveau du boîtier de dérivation.)

- Ⓐ Pas du boulon suspension
- Ⓑ Vers l'unité intérieure
- Ⓒ Vers l'unité extérieure
- Ⓓ Panneau de service (pour LEV, THERMISTANCE)
- Ⓔ Couverture électrique
- Ⓕ Brosse en caoutchouc
- Ⓖ Bornier (vers unité intérieure sur panneau de commande)
- Ⓗ Bornier (vers unité extérieure)
- Ⓙ Bornier (pour câble de communication)
- Ⓚ Collier de câble

* Vérifier que le boîtier de dérivation est installé comme illustré sur le schéma ci-après.

■ PAC-MK50BC (Fig.4-2)

Boulon de suspension: W3/8 (M10)

Raccord évasé des tuyaux de réfrigérant

	A	B	C	D	E	Vers l'appareil extérieur
Tuyau de liquide	ø6,35	ø6,35	ø6,35	ø6,35	ø6,35	ø9,52
Tuyau de gaz	ø9,52	ø9,52	ø9,52	ø9,52	ø12,7	ø15,88

Fig. 4-2

4. Dimensions et espace requis pour l'entretien du boîtier de dérivation

■ PAC-MK30BC (type à 3 embranchements)

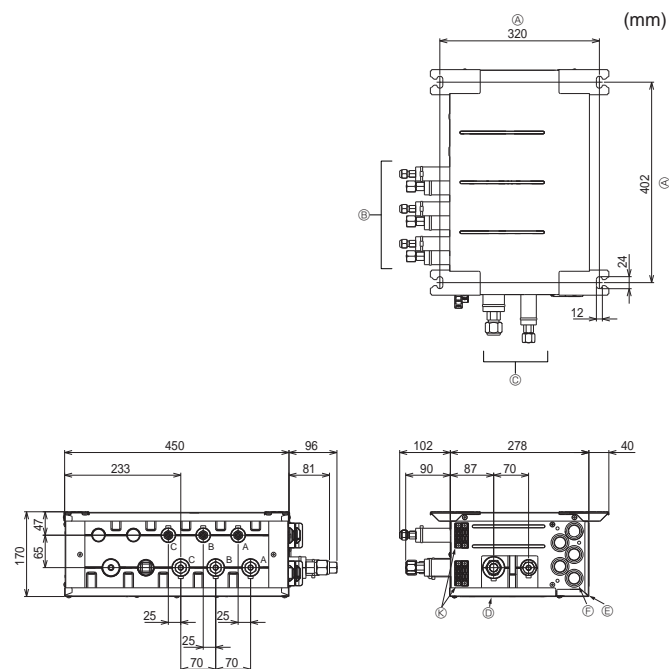


Fig. 4-3

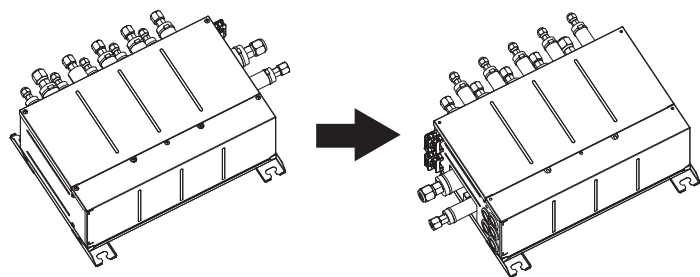
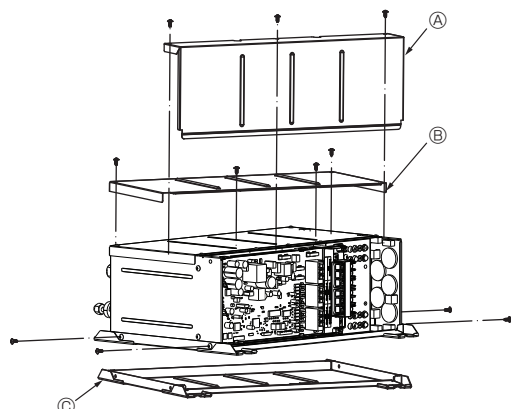


Fig. 4-4

② Retirez le capot électrique, le panneau de service et le panneau supérieur.

- Ⓐ Protection électrique
- Ⓑ Panneau de service
- Ⓒ Panneau supérieur

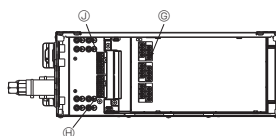


■ PAC-MK30BC (Fig.4-3)

Boulon de suspension: W3/8 (M10)

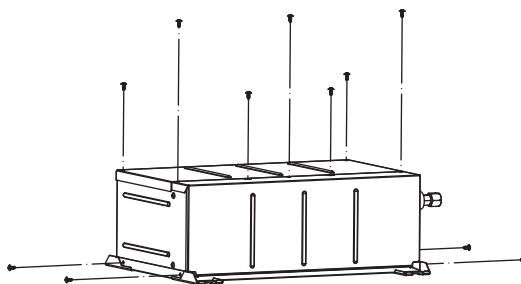
Raccord évasé des tuyaux de réfrigérant

	mm			
	A	B	C	Vers l'appareil extérieur
Tuyau de liquide	ø6,35	ø6,35	ø6,35	ø9,52
Tuyau de gaz	ø9,52	ø9,52	ø9,52	ø15,88



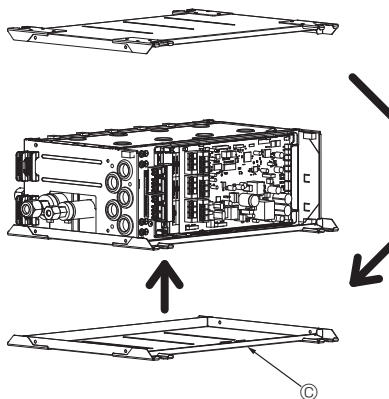
4.1. Il est possible de modifier la direction des tuyaux. (Fig. 4-4). [Procédures de travail] (Fig. 4-5)

① Retirer les vis de chaque pièce.



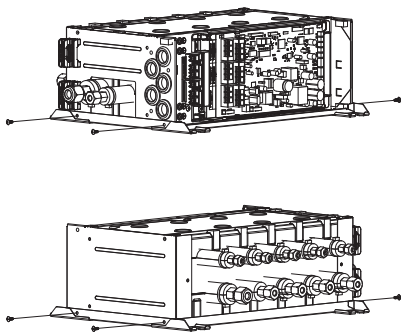
③ Installer le panneau supérieur sur la surface opposée.

- Ⓒ Panneau supérieur



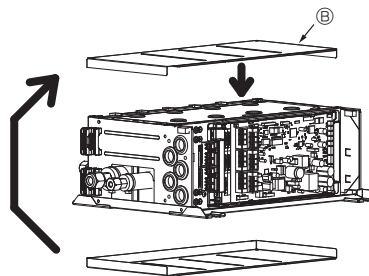
4. Dimensions et espace requis pour l'entretien du boîtier de dérivation

④ Fixer les vis de chaque pièce.

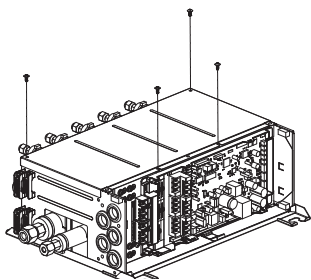


⑤ Installer le panneau de service sur la surface opposée.

ⓑ Panneau de service

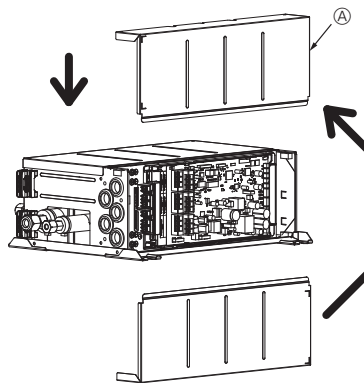


⑥ Fixer les vis.



⑦ Installer la protection électrique sur la surface opposée.

Ⓐ Protection électrique



⑧ Fixer les vis.

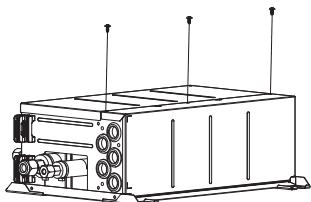


Fig. 4-5

4. Dimensions et espace requis pour l'entretien du boîtier de dérivation

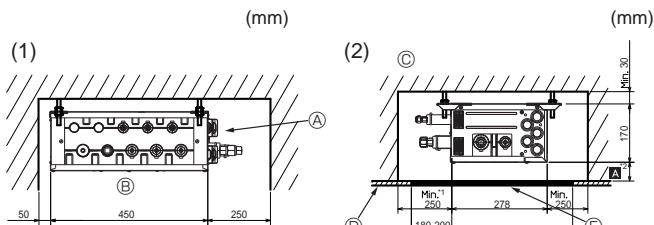


Fig. 4-6

Fig. 4-7

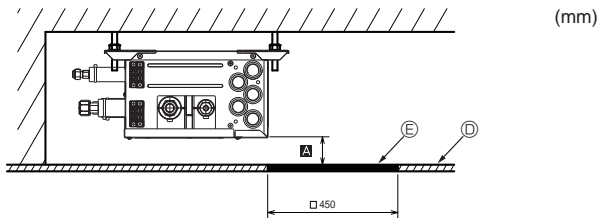


Fig. 4-8

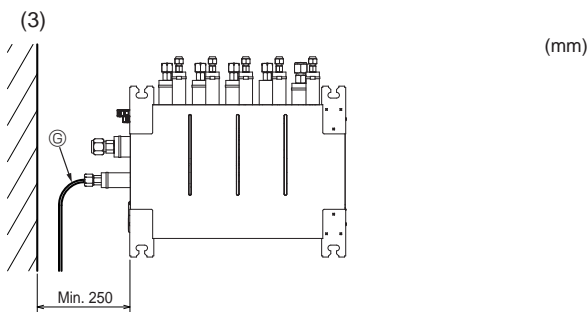


Fig. 4-9

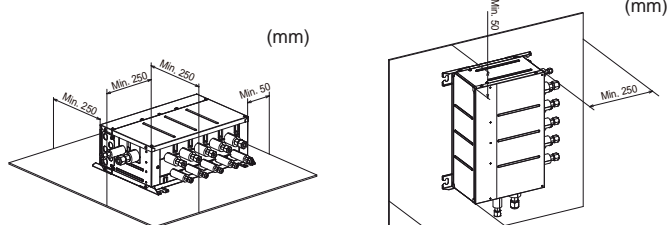


Fig. 4-10

Fig. 4-11

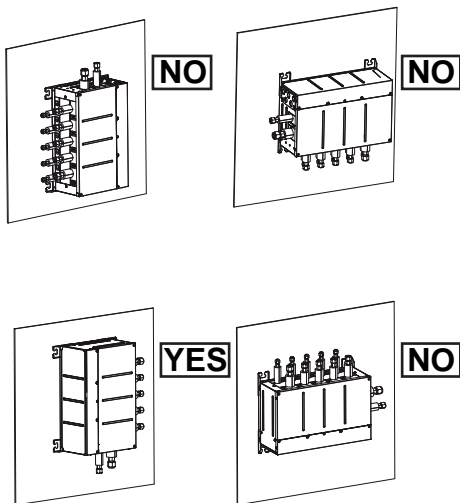


Fig. 4-12

4.2. Espace requis pour l'installation et l'entretien

I. Espace lors de l'installation avec les boulons de suspension.

- (1) Vue de face (Fig. 4-6)
 - Ⓐ Boîtier de dérivation
 - Ⓑ Sur la face latérale des tuyaux
- (2) Vue de profil (Fig. 4-7, Fig. 4-8)
 - Ⓒ Pour les installations intérieures
 - Ⓓ Panneau pour plafond
 - Ⓔ Orifice d'entretien

*1: Un rayon minimum de 350 mm est requis pour obtenir une courbure de 90° de la tuyauterie de réfrigérant.

***2: A correspond à "200 mm minimum" <recommandation>.**

Si la valeur est inférieure à 200 mm (par exemple, si A correspond à 100 mm), le remplacement du boîtier de dérivation à partir d'un orifice d'entretien devient difficile (Seul le remplacement d'une carte de circuit imprimé, des bobines du détendeur linéaire et des capteurs est possible.)

***3: B correspond à "□ 600 mm" <recommandation>.**

Si la valeur est "□ 450 mm" préparer un orifice d'entretien du côté de la carte de circuit intégré (comme illustré à la Fig. 4-8) et la distance A doit correspondre à "300 mm minimum".

Si la valeur est inférieure à 300 mm (par exemple, si A correspond à 100 mm), le remplacement du boîtier de dérivation, des bobines du détendeur linéaire et des capteurs à partir d'un orifice d'entretien devient difficile (Seul le remplacement d'une carte de circuits intégrés est possible.).

- (3) Vue de dessus (Fig. 4-9)
 - Ⓒ Tuyau de réfrigérant

II. Espace lors de l'installation au sol. (Fig. 4-10)

III. Espace lors sur l'installation sur un mur. (Fig. 4-11)

Le sens d'installation est limité lors de l'installation sur un mur. (Fig. 4-12)

Lors de l'installation de l'appareil sur le mur, installer les tuyaux raccordés à l'appareil extérieur dirigés vers le bas. Toute autre manière n'est pas acceptable.

5. Tuyau de réfrigérant

* Toujours suivre les spécifications figurant dans le manuel d'installation de l'appareil extérieur. Le dépassement de ces exigences peut induire une baisse des performances de l'équipement et des dysfonctionnements.

6. Montage du boîtier de dérivation

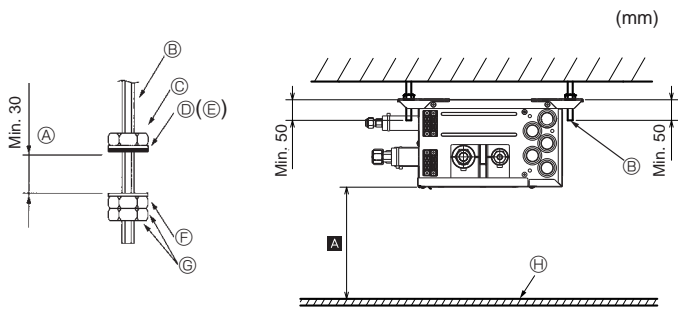


Fig. 6-1

- (1) Installer les boulons de suspension (à acheter localement) suivant le pas requis (Fig. 4-2, 4-3).
- (2) Fixer les rondelles et les écrous (①, ②, à acheter localement) sur les boulons de suspension. (Fig. 6-1)
- (3) Accrocher l'appareil sur les boulons de suspension.
- (4) Serrer correctement les écrous (vérifier la hauteur de plafond).
- (5) Utiliser un niveau pour ajuster le boîtier de dérivation à l'horizontale.

- Ⓐ Une fois l'appareil suspendu et les écrous correctement fixés
- Ⓑ Boulon de suspension
- Ⓒ Ecrou
- Ⓓ Rondelle (avec amortisseur) ①
- Ⓔ Vérifier que le plan de joint des matrices est orienté vers le bas
- Ⓕ Rondelle (sans amortisseur) ②
- Ⓖ Ecrou (à acheter localement)
- Ⓗ Panneau pour plafond

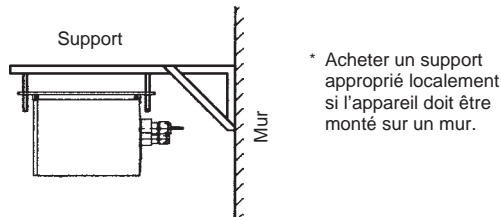
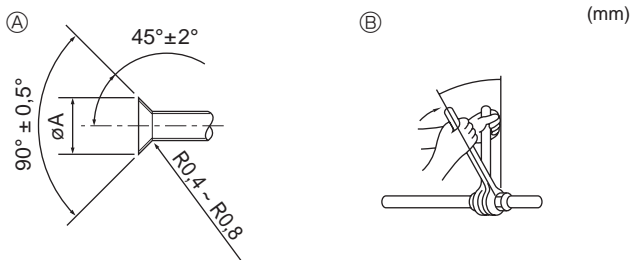


Fig. 6-2

7. Installation des tuyaux de réfrigérant



- Ⓐ Dimension de l'évasement
- Ⓑ Couple de serrage du raccord conique

Fig. 7-1

- Ⓐ Dimension de l'évasement

Tableau 1

Diam. ext. Tuyau en cuivre (mm)	Dimensions évasement Dimensions øA (mm)
ø6,35	8,7-9,1
ø9,52	12,8-13,2
ø12,7	16,2-16,6
ø15,88	19,3-19,7

- Ⓑ Couple de serrage du raccord conique

Tableau 2

Diam. ext. Tuyau en cuivre (mm)	Diam. ext. raccord conique (mm)	Couple de serrage (N•m)
ø6,35	17	14-18
ø6,35	22	34-42
ø9,52	22	34-42
ø12,7	26	49-61
ø12,7	29	68-82
ø15,88	29	68-82
ø15,88	36	100-120

- ▶ Raccorder les tuyaux de liquide et de gaz de chaque appareil intérieur au raccordement portant le même numéro, comme indiqué dans la section sur le raccordement évasé des appareils intérieurs de chaque boîtier de dérivation. Tout raccordement incorrect engendre un dysfonctionnement.

- ▶ Lors du raccordement des appareils intérieurs, s'assurer de raccorder les tuyaux de réfrigérant et de raccordement aux orifices de raccordement appropriés portant une lettre de l'alphabet identique (Par exemple A, B, C, D, E)

Remarque:

Veiller à marquer chaque tuyau de réfrigérant local (tuyaux de liquide, de gaz, etc.) de chaque appareil intérieur afin d'identifier clairement la pièce concernée (Par exemple A, B, C, D, E).

- ▶ Noter les références des appareils intérieurs figurant sur la plaque signalétique du boîtier de commande du boîtier de dérivation (à des fins d'identification).

- Isoler et protéger efficacement le système contre la condensation, de manière à empêcher tout écoulement d'eau de la tuyauterie de réfrigérant. (Tuyau de liquide/de gaz)
- Augmenter l'isolation en fonction de l'environnement dans lequel la tuyauterie de réfrigérant est installée, sinon de la condensation peut se former à la surface du matériau d'isolation. (Matériau d'isolation résistant à une température de 120 °C ; épaisseur : 15 mm ou plus)

* Lorsque la tuyauterie de réfrigérant est placée dans des endroits soumis à des températures élevées et à une forte humidité, dans un grenier par exemple, une isolation supplémentaire peut être nécessaire.

- Pour isoler la tuyauterie de réfrigérant, appliquer de la mousse de polyéthylène résistant à la chaleur entre l'appareil intérieur et le matériau d'isolation, ainsi que sur le filet entre les couches de matériau isolant, en remplissant tous les trous. (La formation de condensation sur la tuyauterie peut engendrer la formation de condensation dans le local ou provoquer des brûlures au contact de la tuyauterie).

- ▶ Lors de l'utilisation de tuyaux de réfrigérant disponibles dans le commerce, s'assurer que les tuyaux de gaz et de liquide sont entourés d'un isolant thermique disponible dans le commerce (matériaux isolants d'une épaisseur minimum de 12 mm et pouvant supporter des températures supérieures à 100 °C).

- ▶ Consulter le manuel d'installation de l'appareil extérieur lors de la création de vide ou lors de l'ouverture ou de la fermeture des vannes.

- (1) Retirer les écrous évasés et les capuchons du boîtier de dérivation.
- (2) Evaser les extrémités des tuyaux de liquide et de gaz et appliquer de l'huile réfrigérante (à acheter localement) sur la surface évasée. N'appliquez pas d'huile sur la partie filetée.
- (3) Raccorder immédiatement les tuyaux de réfrigérant. Serrez toujours les écrous évasés jusqu'au couple spécifié dans le tableau 2 à l'aide d'une clé dynamométrique et d'une double clé à molette.
- (4) Appuyer les cache-tuyaux ③ et ⑤ des tuyaux de liquide contre l'appareil et les enrouler pour les maintenir en place. (Fig. 7-3)
- (5) Appuyer les cache-tuyaux ④ et ⑥ des tuyaux de gaz contre l'appareil et les enrouler pour les maintenir en place. (Fig. 7-3)
- (6) Fixer les sangles fournies ⑨ à 10 à 20 mm de chaque extrémité des cache-tuyaux (③ ④ ⑤ ⑥).
- (7) Si l'unité intérieure n'est pas raccordée, raccordez les cache-tuyaux (avec les bouchons, ⑦ et ⑧) sur les branchements des tuyaux de réfrigérant du boîtier de dérivation contre l'unité afin d'éviter un écoulement de condensation des tuyaux. (Fig. 7-4)
- (8) Fixer les cache-tuyaux (⑦ ⑧) à l'aide des sangles fournies ⑨.

7. Installation des tuyaux de réfrigérant

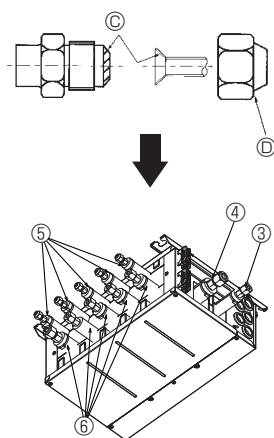


Fig. 7-2

⚠ Précaution:

Serrer l'écrou évasé à l'aide d'une clé dynamométrique en respectant la méthode spécifiée.

Un serrage trop important cassera l'écrou évasé et provoquera une fuite de réfrigérant pendant un certain temps.

ⓐ Appliquer de l'huile réfrigérante sur toute la surface évasée (Fig. 7-2).

ⓑ Utiliser en principe des écrous évasés adaptés (les écrous évasés en vente dans le commerce peuvent se briser).

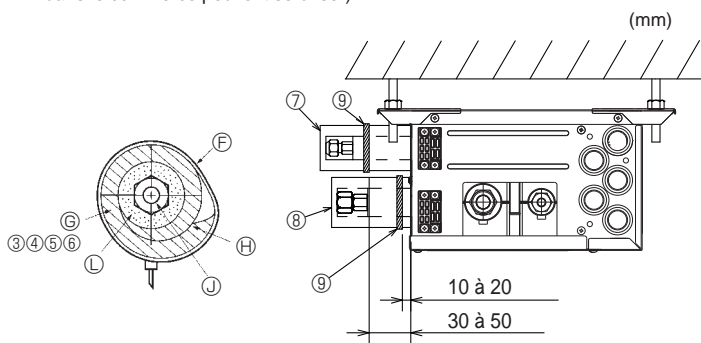


Fig. 7-3

Fig. 7-4

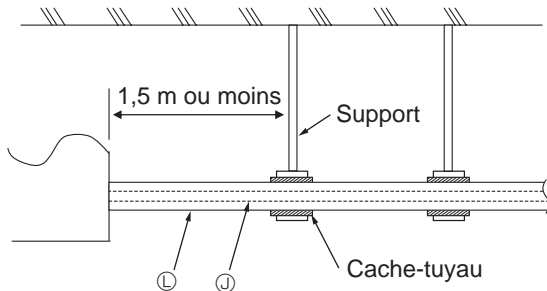


Fig. 7-5

Remarque:

Certains appareils intérieurs requièrent l'achat d'un écrou évasé (en option ou fourni avec l'appareil intérieur).

Consulter le manuel d'installation des appareils intérieur et extérieur pour plus de détails.

- ⓕ Sangle ⑨
- ⓖ Cache-tuyaux ③ ④ ⑤ ⑥
- ⓗ Serrer
- ⓐ Tuyau de réfrigérant
- ⓑ Isolant thermique pour tuyau de réfrigérant

► Appliquer les procédures suivantes aux composants du boîtier de dérivation qui ne sont pas raccordés à un appareil intérieur. (Fig. 7-4)

- (1) Afin d'éviter toute fuite de réfrigérant, veiller à serrer les raccords coniques conformément aux couples de serrage indiqués* dans le Tableau 3.
* Des fuites de réfrigérant peuvent également survenir si les raccords coniques sont serrés au-delà des couples de serrage indiqués.
- (2) Pour éviter la condensation, mettaient en place les cache-tuyaux ⑦ et ⑧ contre l'unité et attachez-les à l'aide des sangles ⑨ fournies.

Tableau 3

Diamètre des ouvertures du boîtier de dérivation pour le raccordement des appareils intérieurs (mm)	Couple de serrage (N•m)
∅6,35	13 ± 2
∅9,52	30 ± 2
∅12,7	50 ± 2

► **Charge de réfrigérant:**

Se reporter au manuel d'installation de l'appareil extérieur.

N'utiliser que du réfrigérant R410A (l'utilisation de tout autre réfrigérant peut engendrer des dysfonctionnements).

⚠ Précaution:

Pour éviter un effort excessif sur le boîtier de dérivation, soutenir les tuyaux avec un ou deux support(s) de 1,5 m ou moins depuis le boîtier de dérivation.

Se reporter à la Fig. 7-5 comme exemple.

- ⓐ Tuyau de réfrigérant
- ⓑ Isolant thermique pour tuyau de réfrigérant

8. Installations électriques

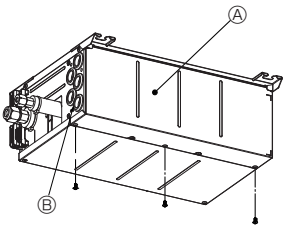


Fig. 8-1

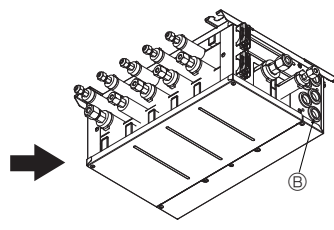


Fig. 8-2

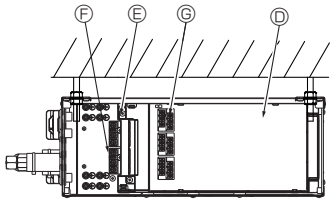


Fig. 8-3

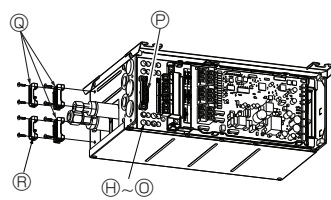


Fig. 8-4

- Ⓐ Protection électrique
- Ⓑ Brosse en caoutchouc
- Ⓒ Câbles
- Ⓓ Carte contrôleur
- Ⓔ Bloc de sortie : TB5
- Ⓕ Bloc de raccordement: TB2B <vers l'appareil extérieur>
- Ⓖ Bloc de raccordement: TB3A-TB3E <vers l'appareil intérieur>
- Ⓗ Borne de terre <vers l'appareil extérieur>

- Ⓚ Borne de terre <Pour TB3A>
- Ⓛ Borne de terre <Pour TB3B>
- Ⓜ Borne de terre <Pour TB3C>
- Ⓝ Borne de terre <Pour TB3E>
- Ⓞ Borne de terre <vers autre boîte de dérivation>
- Ⓟ Collier de câble <Pour TB2B>
- Ⓠ Collier de câble <Pour TB3A-TB3E>
- Ⓡ Collier de câble <Pour TB5>

► Précaution concernant les travaux électriques.

⚠ Avertissement:

- Toujours utiliser des circuits dédiés avec disjoncteurs et utilisant une tension nominale.

Les circuits électriques dotés d'une capacité insuffisante, ainsi qu'une mauvaise installation, peuvent provoquer un choc électrique ou un incendie.

⚠ Précaution:

- Veiller à relier le système à la terre. Ne pas relier l'appareil à un réseau public d'alimentation électrique, un conducteur de dérivation ou une prise de téléphone. Une mise à la terre incomplète peut provoquer une électrocution. Un courant de surtension provoqué par un éclair ou toute autre source peut endommager le climatiseur.

- Utiliser le câblage électrique indiqué. Vérifier qu'il est correctement raccordé et qu'il n'est pas soumis à une surtension.

Le non respect de ces exigences peut se traduire par des câbles cassés, une surchauffe ou un incendie.

- Avant de mettre le boîtier de dérivation sous tension, veiller à régler les commutateurs.

- Pour la mise sous tension, commencer par le boîtier de dérivation, puis l'appareil extérieur, dans cet ordre.

(Si les alimentations du boîtier de dérivation et de l'appareil extérieur sont distinctes)

- Le câble de raccordement du boîtier de dérivation et de l'appareil extérieur et du boîtier de dérivation et des appareils intérieurs fonctionne comme un câble d'alimentation électrique et un câble de transmission du signal. Raccorder ce câble conformément aux numéros des blocs de raccordement pour s'assurer que la polarité est correcte.

- Vérifier que le tuyau de réfrigérant et le câble électrique appropriés sont raccordés à chaque appareil intérieur. Un câblage incorrect provoquera le dysfonctionnement de l'appareil.

► Raccorder les tuyaux de réfrigérant et les tuyaux de raccordement aux orifices appropriés, conformément au marquage utilisant des lettres de l'alphabet (par exemple A, B, C, D, E) figurant sur cet appareil.

- Commencer par raccorder le câble d'alimentation depuis l'appareil extérieur.

- Toujours raccorder chaque fil de mise à la terre séparément avec une vis de terre.
- Installer le câble monté au plafond dans un conduit approprié pour éviter qu'il ne soit rongé par les rats, etc.

1. Retirez le protection électrique. (Fig. 8-1)
2. Passez le câblage dans le boîtier de branchement, fixez chaque câble avec un collier de câblage.
3. Raccordez fermement chaque fil sur le bloc de sortie appropriée. (Fig. 8-3)
4. Réglez les commutateurs DIP. (Se reporter à 8.3)
5. Remettez en place le capot électrique.

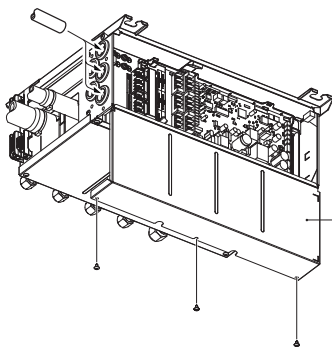


Fig. 8-5

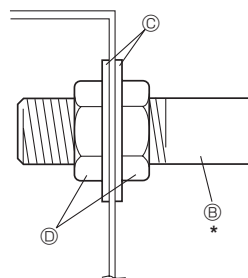


Fig. 8-6

8.1. Utilisation d'un conduit (Fig. 8-5,6,7)

Remettre en place le cache horizontal une fois le conduit installé.

- Ⓐ Cache
- Ⓑ Conduit de câblage
- Ⓒ Rondelle
- Ⓓ Ecrou

Utiliser un conduit de câblage ayant un diamètre extérieur de 1".

- (1) Lorsqu'un conduit de câblage ayant un diamètre extérieur de 1" est utilisé, ôter la traversée et relier le boîtier de dérivation. Retirer le cache horizontal lors du raccordement du boîtier de dérivation.

- (2) Lorsqu'un conduit de câblage ayant un diamètre extérieur maximum de 3/4" est utilisé, resserrer la traversée et insérer le conduit de câblage d'environ 100 mm dans le boîtier de dérivation.

* Remettre en place le cache horizontal une fois le conduit en place.

⚠ Précaution:

Pour éviter un effort excessif sur le boîtier de branchement, soutenez le conduit de câble Ⓑ avec un ou plusieurs support/s de 1,5 m ou moins depuis le boîtier de branchement. Reportez-vous à la Fig. 8-7 comme exemple.

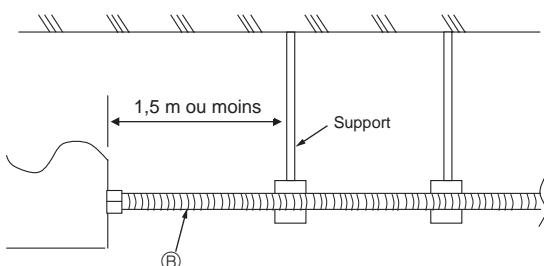


Fig. 8-7

8. Installations électriques

■ Utiliser des alimentations distinctes pour le boîtier de dérivation et l'appareil extérieur

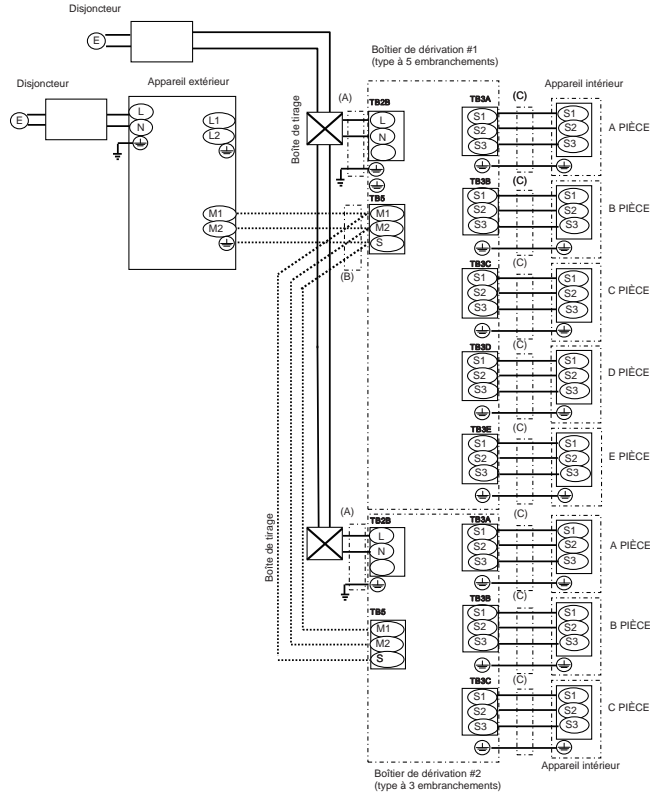
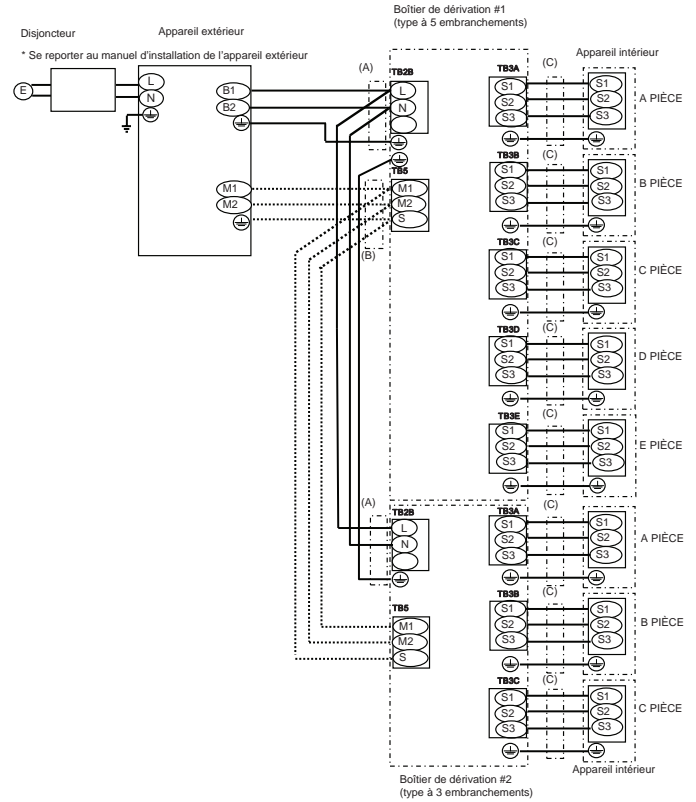


Fig. 8-8

8.2. Procédure de câblage externe (Fig. 8-8, Fig. 8-9)

■ Alimentation de l'appareil extérieur



Ⓒ Alimentation : 220/230/240 V 50 Hz, 220 V 60 Hz

Remarque:

- ① Branchez les lignes (B), (C) sur le nom des blocs de raccordement pour assurer une polarité correcte.
- ② Quant aux la lignes (C), S1 et S2, elles permettent de raccorder la source d'alimentation. Et S2 et S3 sont destinées aux signaux. S2 est un câble commun pour la source d'alimentation et le signal.

Diamètre du fil		
(A) Ligne d'alimentation principale/Ligne de mise à la terre	(B) Câble M-NET Câble blindé CVVS, CPEVS ou MVVS	(C) Ligne du signal/ Ligne de mise à la terre
3 noyaux 2.5 mm ²	2 noyaux 1.25 mm ² Moins de 200 m	4 noyaux 1.5 mm ² Moins de 25 m

Si vous utilisez un câble torsadé pour le câblage, l'utilisation d'une borne circulaire est requise.

Remarques: 1. La taille du câblage doit être conforme aux codes locaux et nationaux applicables.

2. Raccordement des cordons d'alimentation et des unités intérieure/boîtier de dérivation/unité extérieure ne doivent pas être plus légers qu'un cordon flexible à gainage en polychloroprène. (Norme 60245 IEC 57)

3. Installez une ligne de mise à la terre plus longue que les câbles d'alimentation.

4. Ne pas attacher le câble M-NET avec le câble de connexion et câble d'alimentation.

Cela peut entraîner un fonctionnement erroné.

⚠ Avertissement:

Ne faites jamais d'épissure au niveau du câble car cela pourrait provoquer l'apparition de fumée, d'un incendie ou une panne de communication.

• Méthode de raccordement recommandée

Lors du raccordement d'un appareil intérieur au boîtier de dérivation, raccordez-le sur TB3A. Lors du raccordement de 2 appareils intérieurs, raccordez-les sur TB3A et TB3B. Lors du raccordement de 3 appareils intérieurs, raccordez-les sur TB3A, TB3B et TB3C. Raccordez les appareils intérieurs dans l'ordre A→B→C→D→E.

BOÎTIER de dérivation M-NET (type à 5 embranchements)

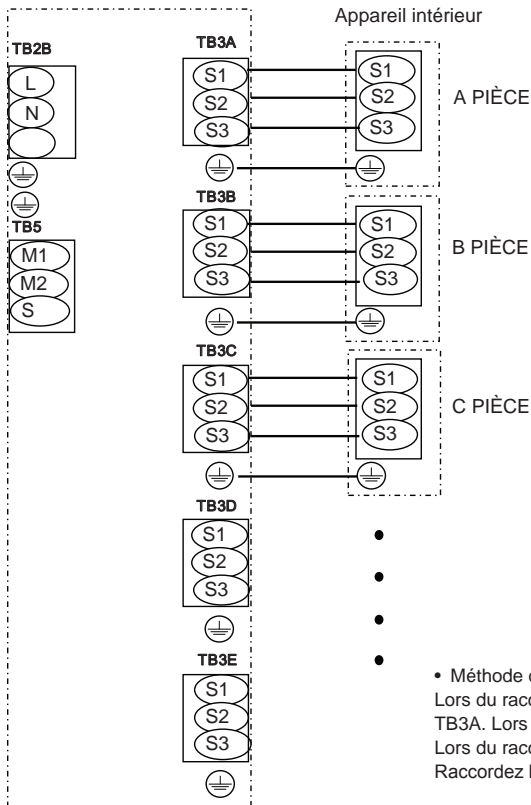


Fig. 8-9

8. Installations électriques

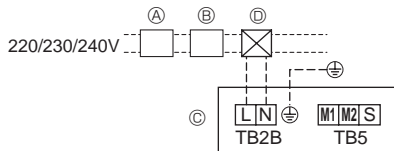


Fig. 8-10

■ Câblage d'alimentation (Utiliser des alimentations distinctes pour le boîtier de dérivation et l'appareil extérieur)

- Installez un conducteur de terre plus long que les autres câbles.
- Les cordons d'alimentation de l'appareil ne doivent pas être plus légers que décrit dans les normes 245IEC57 ou 227IEC57, 245 IEC 53 ou 227 IEC 53.
- Un commutateur avec séparation de contact d'au moins 3 mm, 1/8 inch, dans chaque pôle doit être assuré par l'installation de climatisation.

[Fig. 8-10]

- Ⓐ Disjoncteur de fuite à la terre
- Ⓑ Commutateur local/Disjoncteur
- Ⓒ Boîtier de dérivation
- Ⓓ Boîte de tirage

Courant de fonctionnement total de l'appareil intérieur	Épaisseur minimum câble (mm ² /AWG)					Disjoncteur de câblage (NFB)	Disjoncteur de fuite à la terre *1
	Câble principal	Ramification	Terre	Capacité	Fusible		
F0 = 15A ou moins *2	2,1/14	2,1/14	2,1/14	15	15	15	Sensibilité de courant 15A *3
F0 = 20A ou moins *2	3,3/12	3,3/12	3,3/12	20	20	20	Sensibilité de courant 20A *3
F0 = 30A ou moins *2	5,3/10	5,3/10	5,3/10	30	30	30	Sensibilité de courant 30A *3

Appliquez à IEC61000-3-3 environ l'impédance max. de système autorisée.

*1 Le disjoncteur de fuite à la terre doit prendre en charge le circuit onduleur.

Le disjoncteur de fuite à la terre doit se combiner à l'utilisation du commutateur local ou du disjoncteur.

*2 Prenez la plus grande des deux valeurs entre F1 ou F2 comme valeur pour F0.

F1 = Courant total maximum des appareils intérieurs × 1,2

F2 = (V1/C)

Connect to Branch box (PAC-MK*BC)

Indoor unit	V1	V2
Type 1 SEZ-KD*VA, PCA-RP*KAQ, PLA-ZRP*BA(.UK)	19,8	2,4
Type 2 PEAD-RP*JAQ(L).UK	26,9	
Type 3 MLZ-KA*VA, SLZ-KA*VAQ(L)3	9,9	
Type 4 MSZ-FH*VE, MSZ-SF*VE, MSZ-EF*VE, MSZ-SF*VA	6,8	
Type 5 MFZ-KJ*VE	7,4	
Type 6 Branch box (PAC-MK*BC)	5,1	

Connect to Connection kit (PAC-LV11M)

Indoor unit	V1	V2
Type 1 MSY-EF*VE, MSY-GE*VA, MSY-GH, MSZ-GE*VA, MSZ-SF*VA, MSZ-SF*VE, MSZ-EF*VE, MSZ-FH*VE	6,8	2,4
Type 2 MFZ-KJ*VE	7,4	
Type 3 Connection kit (PAC-LV11M)	3,5	

Indoor unit	V1	V2
Type 1 PMFY-VBM, PLFY-VBM, PEFY-VMS1, PCFY-VKM, PKFY-VHM, PKFY-VKM, PFFY-VLRMM, PFFY-VKM	19,8	2,4
Type 2 PLFY-VCM	9,9	
Type 4 PKFY-VBM	3,5	1,6
Type 5 PEFY-VMA	38,0	
Type 6 PLFY-VLMD, PEFY-VMH, PEFY-VMR, PDFY-VM, PFFY-VLEM, PFFY-VLRM	0	

C : Multiple de courant de déclenchement au temps de déclenchement 0,01 s

Prenez "C" dans les caractéristiques de déclenchement du disjoncteur.

*Boîtier de dérivation conditionnel × 2 + SEZ-KD*VA × 5, C=8 (Se reporter au graphique d'exemple de droite)

F2 = 5,1 × 2/8 + 19,8 × 5/8

= 14,9

→ Disjoncteur 16A (Courant de déclenchement = 8 × 16 A à 0,01s)

*3 La sensibilité de courant est calculée selon la formule suivante.

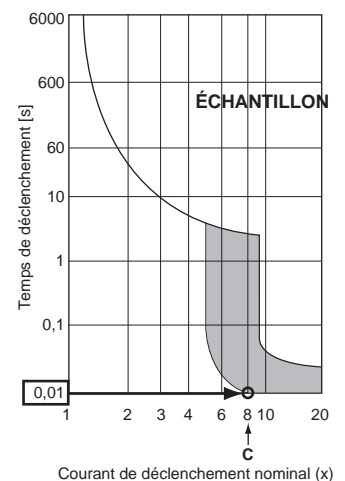
G1 = V2 + V3 × (Longueur câble [km])

G1	Sensibilité de courant
30 ou moins	30 mA 0,1sec ou moins
100 ou moins	100 mA 0,1sec ou moins

Épaisseur câble (mm ² /AWG)	V3
2,1/14	48
3,3/12	56
5,3/10	66

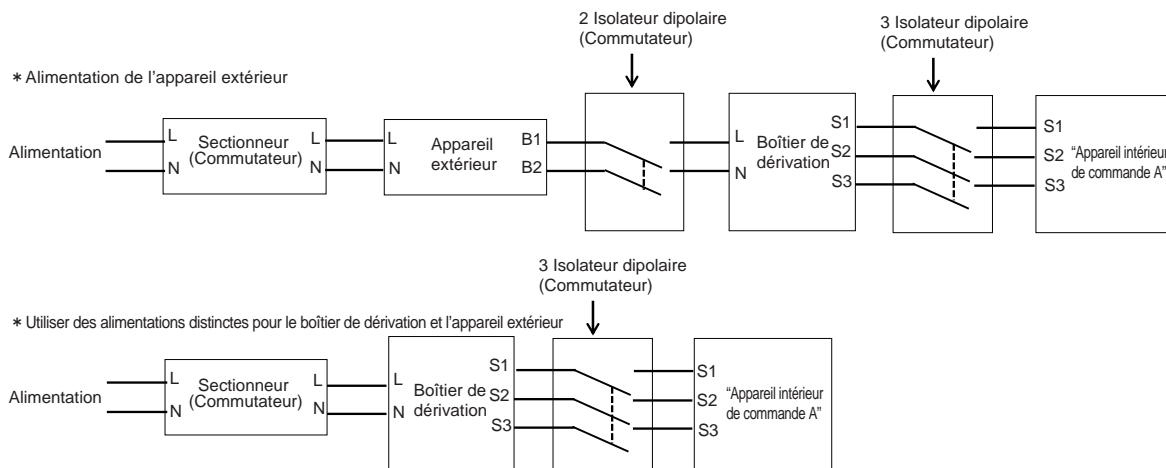
	V2
Appareil intérieur	2,4
Boîtier de dérivation	3,0

Diagramme d'échantillon



⚠ Avertissement:

Dans le cas d'un câblage de contrôle A, il est possible que la borne S3 reçoive une tension élevée en raison du schéma du circuit électrique qui ne présente aucune isolation électrique entre le câble d'alimentation et les câbles de signaux de communication. Ainsi, veuillez couper l'alimentation principale pendant l'entretien. Et ne touchez pas aux bornes S1, S2, S3 lorsque le circuit est alimenté. Si un isolateur doit être utilisé entre l'unité externe et le boîtier de dérivation/ unité interne et le boîtier de dérivation, veuillez utiliser un isolateur à 3 pôles.

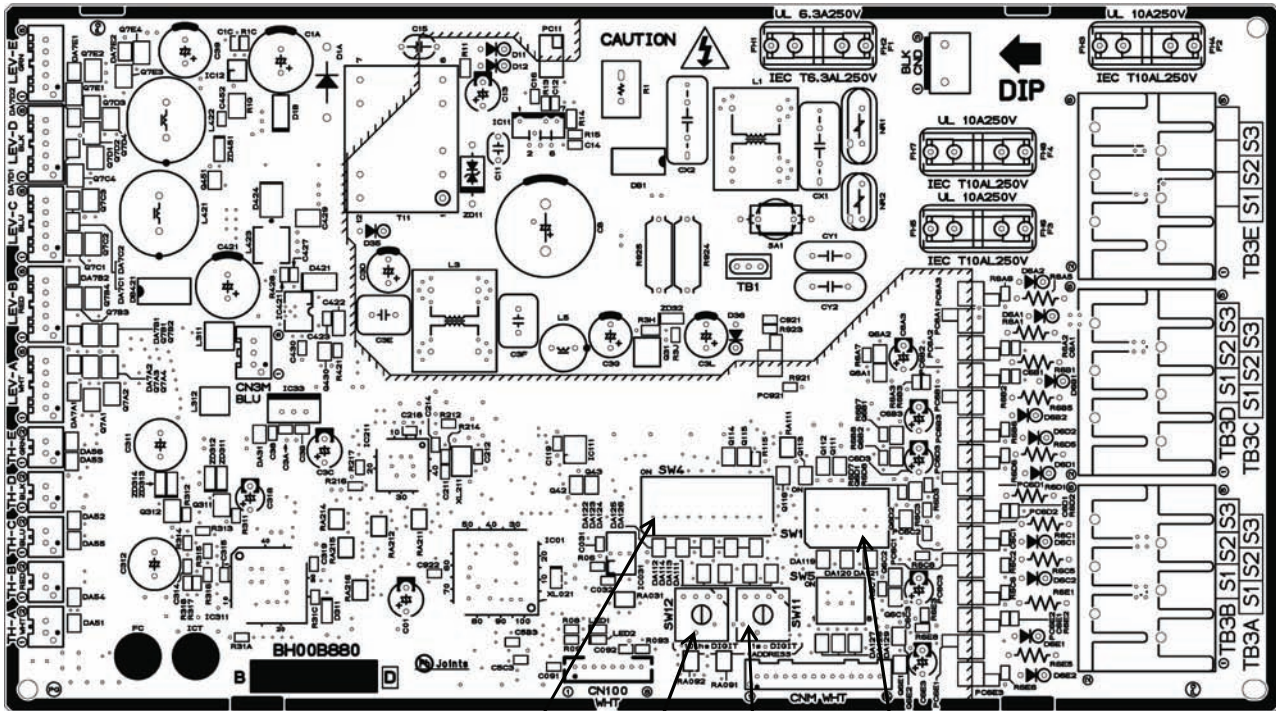


⚠ Précaution:

Après avoir utilisé l'isolateur, veuillez à couper puis à remettre l'alimentation principale afin de réinitialiser le système. Sinon, l'unité externe pourra ne pas détecter le(s) boîtier(s) de dérivation ou les unités internes.

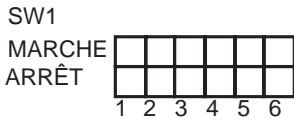
8. Installations électriques

8.3. Réglage des commutateurs



SW4 SW12 SW11 SW1
 Réglage de l'adresse CHIFFRE des dizaines Réglage de l'adresse CHIFFRE des unités

Réglage des commutateurs DIP (efficace uniquement avant la mise sous tension)



- Appareil intérieur A
- Appareil intérieur B
- Appareil intérieur C
- Appareil intérieur D
- Appareil intérieur E
- Non attribué

Commutateur	ARRÊT	MARCHE
SW1-1	Non	Oui
SW1-2	Non	Oui
SW1-3	Non	Oui
SW1-4	Non	Oui
SW1-5	Non	Oui
SW1-6		

Commutateur d'adresse (efficace uniquement avant la mise sous tension)

Le réglage réel de l'adresse de l'appareil intérieur varie en fonction des différents systèmes. Consulter le manuel d'installation de l'appareil extérieur pour en savoir plus sur la méthode de réglage de l'adresse. Chaque adresse est réglée avec une combinaison du réglage des chiffres des dizaines et des unités.

(Exemple)

- Si vous réglez l'adresse sur "3", régler le chiffre des unités sur 3 et celui des dizaines sur 0.
- Si vous réglez l'adresse sur "25", régler le chiffre des unités sur 5 et celui des dizaines sur 2.

(Exemple)

- Si vous réglez l'adresse du BOÎTIER de dérivation sur "3", une adresse est attribuée à chaque appareil intérieur en commençant par l'appareil A, comme indiqué ci-dessous, même si chaque appareil intérieur est raccordé. (SW1-1~5 MARCHE)

- Appareil intérieur A Adresse 3
- Appareil intérieur B Adresse 4
- Appareil intérieur C Adresse 5
- Appareil intérieur D Adresse 6
- Appareil intérieur E Adresse 7

- Si l'adresse est réglée sur "25" et que 3 appareils intérieurs sont également raccordés (appareil A, appareil C et appareil E). (SW1-1, 1-3, 1-5 MARCHE)

- Appareil intérieur A Adresse 25
- Appareil intérieur C Adresse 26
- Appareil intérieur E Adresse 27

9. Marche d'essai

- Se reporter à la section "Marche d'essai" du manuel d'installation des appareils extérieur et intérieurs.
- Lorsque le boîtier de dérivation et une source d'alimentation extérieure sont séparés, mettez d'abord sous tension le boîtier de dérivation, puis l'unité extérieure.

• Une fois sous tension ou après un arrêt prolongé, un cliquetis provenant de l'intérieur du boîtier de dérivation se fait entendre. Le détendeur électronique s'ouvre et se ferme. L'appareil n'est pas défectueux.

- Veiller à effectuer un essai de fonctionnement en mode de refroidissement pour chaque appareil intérieur. S'assurer que chaque appareil intérieur fonctionne correctement en suivant le manuel d'installation fourni avec l'appareil.
- Si l'essai est réalisé simultanément pour tous les appareils intérieurs, il est impossible de détecter les mauvais raccordements, le cas échéant, des tuyaux de réfrigérant et des fils de raccordement des appareils extérieur/intérieurs.
- Pour vérifier toute erreur de câblage, effectuer un essai de fonctionnement pour chaque appareil intérieur individuellement.

⚠ Attention:

- **Utiliser la télécommande pour actionner l'appareil intérieur.**
- **Les symptômes suivants ne sont pas des dysfonctionnements.**

Symptôme	Cause	Affichage des LED de l'appareil intérieur *
L'appareil intérieur ne fonctionne pas, même s'il est réglé sur refroidissement (chauffage).	Le refroidissement (chauffage) ne peut pas fonctionner si le chauffage (refroidissement) d'un autre appareil intérieur fonctionne.	Veille (pour système multiple)
Le ventilateur de l'appareil intérieur s'arrête pendant le chauffage	Le ventilateur s'arrête pendant le dégivrage.	-
	Le ventilateur s'arrête lorsque le mode de collecte du réfrigérant ** est activé.	Veille (pour système multiple)

* Se reporter au mode d'emploi des appareils intérieurs pour plus de détails.

** Le mode est activé pendant environ 1 minute pour éviter d'avoir un afflux insuffisant de réfrigérant pendant le chauffage lorsque le réfrigérant est stocké dans un appareil intérieur qui a été mis hors tension ou désactivé thermiquement.

Inhoud

1. Veiligheidsvoorschriften	38	6. Montage van de aftakdoos	43
2. Een installatielocatie kiezen	38	7. De koelpijpen installeren	43
3. Controle van meegeleverde accessoires	39	8. Afvoerpipen aanbrengen	45
4. Afmetingen en vereiste onderhoudsruimte betreffende de aftakdoos	39	9. Test uitvoeren	49
5. Koelpijpen	42		

Deze installatiehandleiding geldt alleen voor het installeren van de aftakdoos. Voor het installeren van de binnenunits en de buitenunit verwijzen wij u naar de installatiehandleidingen die bij deze units zijn meegeleverd.

1. Veiligheidsvoorschriften

- ▶ Lees alle "Veiligheidsvoorschriften" voordat u het apparaat installeert.
- ▶ Stel de aanleverende instantie op de hoogte of vraag om toestemming voordat u dit systeem aansluit op het elektriciteitsnet.
- ▶ PAC-MK•BC-series zijn ontworpen als professionele uitrusting.
- ▶ Wanneer elektriciteit wordt ontvangen van de buitenunit zal, afhankelijk van de gebruikte binnenunit, mogelijk niet worden voldaan aan de toepasselijke standaarden voor de buitenunit.

⚠ Waarschuwing:

Beschrijft maatregelen die genomen moeten worden om het risico van verwonding of dood van de gebruiker te voorkomen.

⚠ Voorzichtig:

Beschrijft maatregelen die genomen moeten worden om schade aan het ap-

⚠ Waarschuwing:

- De unit mag niet worden geïnstalleerd door de gebruiker.
- Vraag de dealer of een erkende installateur om het apparaat te installeren.
- Voor installatiewerkzaamheden volgt u de instructies in de installatiehandleiding en gebruikt u gereedschap en pijpmateriaal dat speciaal gemaakt is voor gebruik met de koelstof die in installatiehandleiding van het buitenapparaat is opgegeven.
- Het apparaat dient volgens de instructies te worden geïnstalleerd om het risico op beschadiging bij een aardbeving of storm te beperken. Een onjuist geïnstalleerd apparaat kan vallen en schade of letsel veroorzaken.
- Het apparaat moet worden geïnstalleerd op een constructie die het gewicht ervan kan dragen.
- Als de airconditioner in een kleine ruimte wordt geïnstalleerd, moeten maatregelen worden genomen om in geval van koelstoflekkage te voorkomen dat de concentratie koelstof in de ruimte de veiligheidsgrens overschrijdt. Als er koelstof weglekt en de concentratie koelstof de veiligheidsgrens overschrijdt, kunnen er gevaarlijke situaties ontstaan ten gevolge van zuurstofgebrek in de ruimte.
- Ventileer de ruimte en koelstof weglekt wanneer het apparaat in werking is. Als de koelstof in contact komt met vuur, komen giftige gassen vrij.
- Al het elektrische werk moet worden uitgevoerd door een gekwalificeerd monteur in overeenstemming met de lokale regelgeving en de instructies in deze handleiding.
- Gebruik uitsluitend de gespecificeerde kabels.
- De deksel van het aansluitblok van het apparaat moet stevig bevestigd zijn.
- Gebruik uitsluitend door Mitsubishi Electric goedgekeurde accessoires en vraag de dealer of een erkende installateur deze te installeren.
- De gebruiker mag nooit proberen het apparaat zelf te repareren of te verplaatsen.
- Controleer na voltooiing van de installatie op koelstoflekkage. Als koelstof naar de ruimte lekt en in contact komt met de vlam van een verwarmings- of kookapparaat, komen giftige gassen vrij.
- Sluit de voedingskabels en de aansluitkabels van de binnenunits, buitenunits en aftakdozen rechtstreeks op elkaar aan (geen tussenliggende doorverbindingen). Tussenliggende doorverbindingen kunnen tot communicatiestoringen leiden indien er bij de doorverbindingen water in de kabels of aders dringt en de isolatie ten opzichte van aarde of het elektrische contact onvoldoende wordt. (Indien een tussenliggende doorverbinding niet kan worden vermeden, dient u afdoende maatregelen te nemen om te voorkomen dat er water in de kabels of draden kan dringen.

2. Een installatielocatie kiezen

* De aftakdoos is uitsluitend voor gebruik binnenshuis.

- Installeer de aftakdoos op een dusdanige locatie, dat onderhoud en reparaties gemakkelijk kunnen worden uitgevoerd (let erop dat de vereiste onderhoudsruimte of serviceruimte aanwezig is).

- Breng de installatie niet aan in de buurt van slaapkamers. Het geluid van de koelvloeistof door de pijpen kan hoorbaar zijn.
- Zorg voor een locatie waar bedrijfsgeluiden geen problemen op zullen leveren. Na het aanbrengen van de voeding, of na een bedrijfsstop, kan vanuit de aftakdoos tijdelijk een licht klikkend geluid hoorbaar zijn. Dit wordt veroorzaakt door de elektronische expansieklep die herhaaldelijk open en dicht gaat. Dit duidt niet op een defecte unit.

- Bepaal van tevoren de loop van koelpijpen, afvoerpipen en elektrische kabels.

paraat te voorkomen.

Informeer de klant na voltooiing van de installatie over de "Veiligheidsvoorschriften", het gebruik en het onderhoud van het apparaat en laat het apparaat proefdraaien om de werking ervan te controleren. Zowel de installatie- als de gebruikershandleiding dienen ter bewaring aan de gebruiker te worden gegeven. Deze handleidingen dienen te worden doorgegeven aan latere gebruikers.

⚠ : Geeft een onderdeel aan dat geaard moet worden.

⚠ Waarschuwing:

Lees de stickers die op het apparaat zitten zorgvuldig.

⚠ Caution:

- Zorg dat de koelpijpen goed zijn geïsoleerd, zodat condensvorming wordt voorkomen. Bij onvolledige isolatie kan condensvorming ontstaan op de oppervlakte van pijpen, en kunnen het plafond, de vloer en andere belangrijke bezittingen nat worden.
- Gebruik de unit niet in een ongebruikelijke omgeving. Als de airconditioning is geïnstalleerd op plaatsen die zijn blootgesteld aan dampen, vluchtige olie (inclusief machineolie) of zwavelzuurgas of in gebieden die zijn blootgesteld aan een hoog zoutgehalte, zoals aan zee, kunnen de prestaties aanzienlijk afnemen en kunnen de interne onderdelen beschadigd raken.
- Installeer de unit niet waar gevaar staat op lekken, produceren, stromen of opbouw van brandbare gassen. Als het brandbare gas wordt opgebouwd rond de unit, kan dit brand of ontploffing veroorzaken.
- Wanneer u de unit in een ziekenhuis of communicatiekantoor installeert, moet u voorbereid zijn op ruis en elektronische storingen. Omkeerschakelingen, huishoudapparatuur, medische apparatuur met een hoge frequentie en radiocommunicatieapparatuur kunnen defect aan of uitval van de airconditioning veroorzaken. De airconditioning kan ook medische apparatuur beïnvloeden, de medische zorg en communicatieapparatuur hinderen en de weergavekwaliteit van het scherm benadelen.
- De koelleiding moet worden voorzien van thermische isolatie om de vorming van condens te voorkomen. Als de koelleiding niet goed is geïsoleerd, wordt er condens gevormd.
- Breng thermische isolatie aan op de leidingen om condensvorming te voorkomen. Als de afvoerpip niet goed is geïnstalleerd, kan dit lekken van water en schade aan het plafond, de vloer, het meubilair of andere zaken veroorzaken.
- Reinig de airconditioner niet met water. Dit kan een elektrische schok veroorzaken.
- Maak alle flensmoeren vast volgens de specificatie met behulp van een momentsleutel. Als deze flensmoer teveel wordt aangehaald, kan deze na een langere periode breken.
- Zorg dat u stroomonderbrekers installeert. Als u deze niet installeert, kan dit leiden tot een elektrische schok.
- Gebruik standaard kabels met voldoende capaciteit voor de elektriciteitslijnen. Anders kan een kortsluiting, oververhitting of brand ontstaan.
- Wanneer u de elektriciteitsleidingen installeert, mag u geen druk uitoefenen op de kabels. Als de aansluitingen worden losgemaakt, kunnen de kabels afknappen of breken en kan er oververhitting of brand ontstaan.
- Sluit de aardleidingen niet aan op gas- of waterleidingen, verlichtingsstaven of telefoon-aardingslijnen. Als de unit niet goed is geaard kan er een elektrische schok ontstaan.

- De installatie dient zodanig te worden geplaatst, dat de lengte van de koelpijpen binnen de opgegeven grenzen blijft.

• Installeer de unit niet op plaatsen die gedurende langere tijd warm of vochtig zijn.

- Installeer in verband met onderhoud de aftakdoos boven het plafond van de hal, badkamer, enz., kortom op een plaats waar niet regelmatig mensen komen (Vermijd installatie in het midden van de ruimte).

* Installeer de unit op een plaats die voldoende sterk is voor het gewicht ervan.

⚠ Waarschuwing:

Installeer de unit stevig op een plaats die voldoende sterk is voor het gewicht ervan.

Als de unit niet stevig genoeg wordt geïnstalleerd kan hij vallen en daarbij letsel veroorzaken.

3. Controle van meegeleverde accessoires

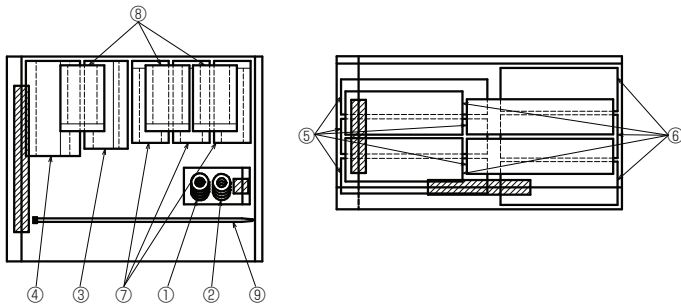


Fig. 3-1

3.1. Controleer de accessoires en onderdelen van de aftakdoos

	Accessoirenaam	Aantal		
		PAC-MK30BC	PAC-MK50BC	
①	Ring (met isolatie)	4	4	
②	Ring	4	4	
③	Pijpafdekking (Vloeistof)	1	1	Naar buitenunit
④	Pijpafdekking (Gas)	1	1	Naar buitenunit
⑤	Pijpafdekking (Vloeistof)	3	5	Naar de binnenunit
⑥	Pijpafdekking (Gas)	3	5	Naar de binnenunit
⑦	Verbindingskap (Vloeistof)	1	3	
⑧	Verbindingskap (Gas)	1	3	
⑨	Band	16	24	

4. Afmetingen en vereiste onderhoudsruimte betreffende de aftakdoos

Optionele afwijkende (vervormde) verbindingen.

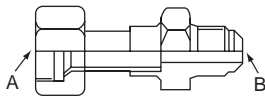


Fig. 4-1

Modelnaam	Diameter aangesloten pijpen	Diameter A	Diameter B
	mm	mm	mm
MAC-A454JP	ø9,52 → ø12,7	ø9,52	ø12,7
MAC-A455JP	ø12,7 → ø9,52	ø12,7	ø9,52
MAC-A456JP	ø12,7 → ø15,88	ø12,7	ø15,88
PAC-493PI	ø6,35 → ø9,52	ø6,35	ø9,52
PAC-SG76RJ-E	ø9,52 → ø15,88	ø9,52	ø15,88

- * Sluit op één systeem twee of meer binnenunits aan.
- * Op één buitenunit kunnen 1-2 aftakdozen worden aangesloten.
- * Ophangbout: W3/8 (M10)
- * Optrompaansluiting voor koelpijpen

* De diameter van de pijp aansluiting is verschillend, afhankelijk van het type en de capaciteit van de binnenunits. Pas de diameter van de pijp aansluiting van de aftakdoos en de binnenunits op elkaar aan. Indien de diameter van de pijp aansluitingen van de aftakdoos niet overeenkomen met de diameter van de aansluitingen van de desbetreffende binnenunit, gebruikt u aan de zijde van de aftakdoos optionele verbindingen met andere diameters (vervormd). (Sluit de vervormde verbindingen rechtstreeks bij de aftakdoos aan.)

- Ⓐ Hoogte ophangbout
- Ⓑ Naar de binnenunit
- Ⓒ Naar de buitenunit
- Ⓓ Onderhoudspaneel (voor LEV, THERMISTOR)
- Ⓔ Elektrische afdekking
- Ⓕ Rubber bus
- Ⓖ Klemmenblok (naar binnenunit op controlebord)
- Ⓗ Klemmenblok (naar buitenunit)
- Ⓙ Klemmenblok (voor communicatiekabel)
- Ⓚ Kabelklem

* Installeer de aftakdoos volgens de onderstaande tekening.

■ PAC-MK50BC (type voor 5 aftakkingen)

(mm)

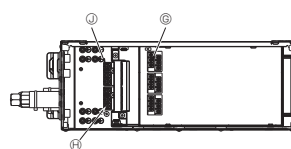
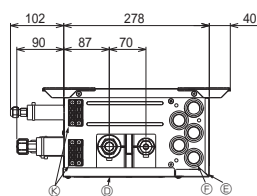
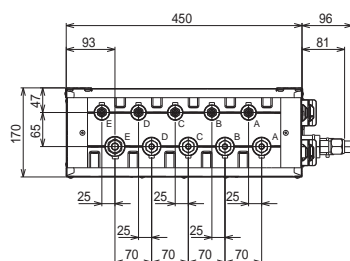
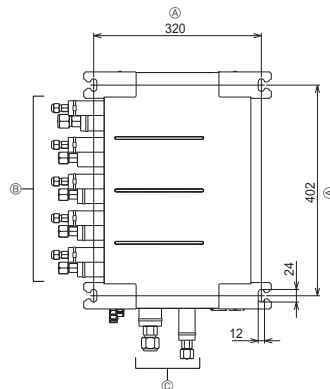


Fig. 4-2

■ PAC-MK50BC (Fig.4-2)

Ophangbout: W3/8(M10)

Optrompverbinding voor koelpijpen

mm

	A	B	C	D	E	Naar buitenunit
Vloeistofpijp	ø6,35	ø6,35	ø6,35	ø6,35	ø6,35	ø9,52
Gaspijp	ø9,52	ø9,52	ø9,52	ø9,52	ø12,7	ø15,88

Omrekenformule

1/4 F	ø6,35
3/8 F	ø9,52
1/2 F	ø12,7
5/8 F	ø15,88
3/4 F	ø19,05

4. Afmetingen en vereiste onderhoudsruimte betreffende de aftakdoos

■ PAC-MK30BC (type voor 3 aftakkingen)

(mm)

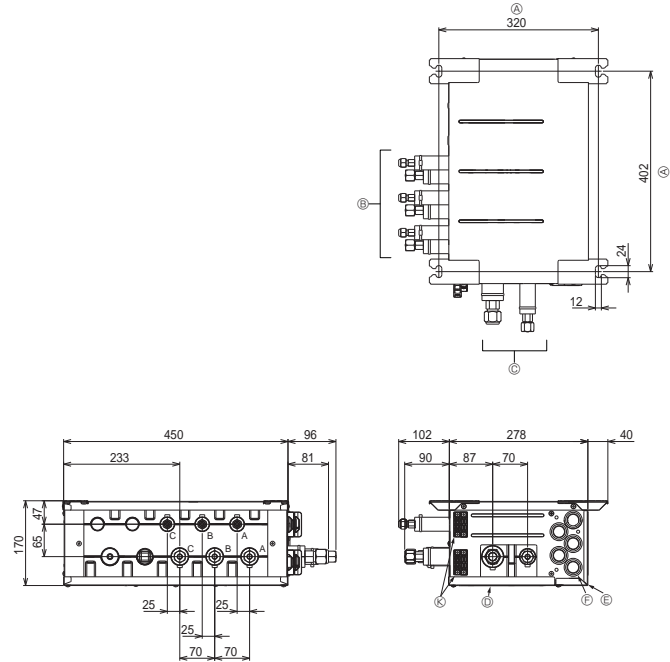


Fig. 4-3

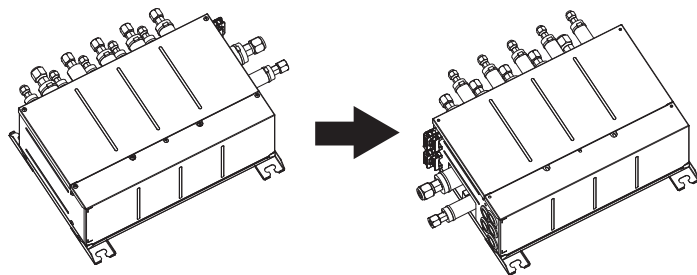
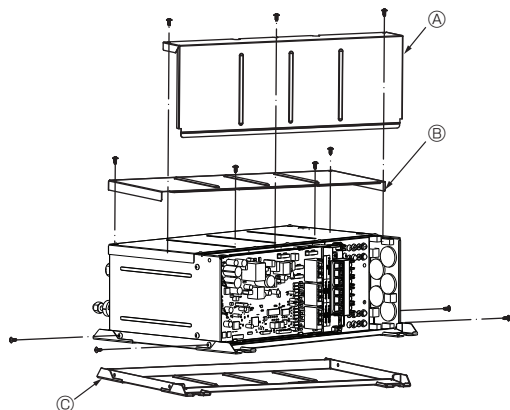


Fig. 4-4

② Verwijder de elektrische afdekking, het onderhoudspaneel en het bovenpaneel.

- Ⓐ Elektrische afdekking
- Ⓑ Onderhoudspaneel
- Ⓒ Bovenpaneel



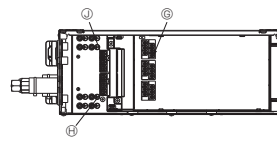
■ PAC-MK30BC (Fig.4-3)

Ophangbout: W3/8(M10)

Optrompverbinding voor koelpijpen

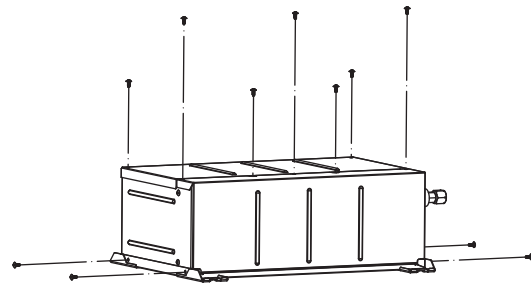
mm

	A	B	C	Naar buitenunit
Vloeistofpijp	ø6,35	ø6,35	ø6,35	ø9,52
Gaspijp	ø9,52	ø9,52	ø9,52	ø15,88



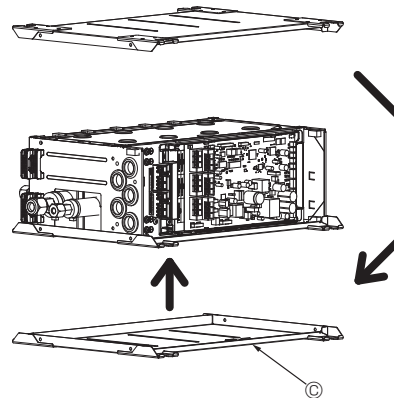
4.1. De richting van de pijpleidingen kan worden gewijzigd. (Fig. 4-4). [Werkprocedures] (Fig. 4-5)

① Verwijder de schroeven in elk deel.



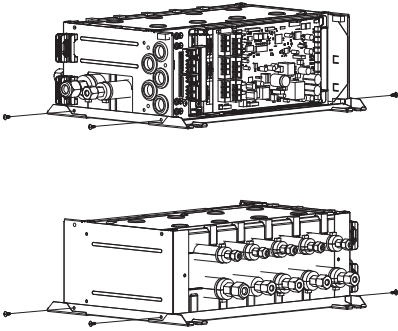
③ Installeer het bovenpaneel op het tegenoverliggende oppervlak.

- Ⓒ Bovenpaneel

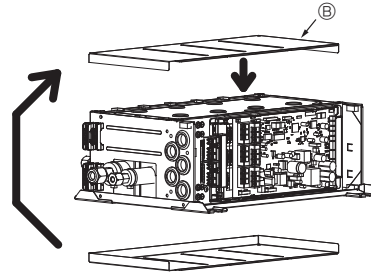


4. Afmetingen en vereiste onderhoudsruimte betreffende de aftakdoos

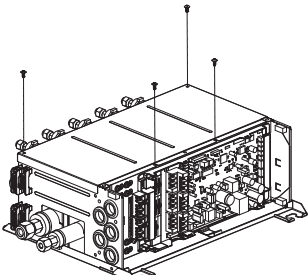
④ Bevestig de schroeven in elk deel.



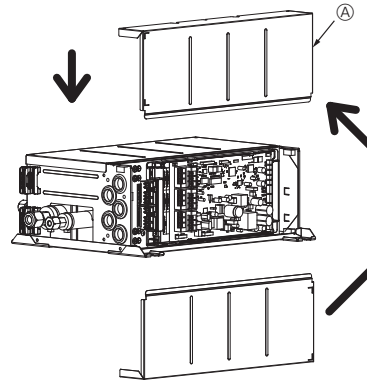
⑤ Installeer het onderhoudspaneel op het tegenoverliggende oppervlak.
ⓑ Onderhoudspaneel



⑥ Maak de schroeven vast.



⑦ Installeer de elektrische afdekking op het tegenoverliggende oppervlak.
ⓐ Elektrische afdekking



⑧ Maak de schroeven vast.

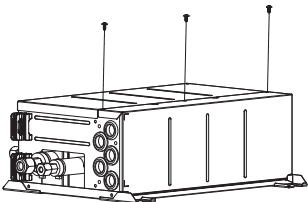


Fig. 4-5

4. Afmetingen en vereiste onderhoudsruimte betreffende de aftakdoos

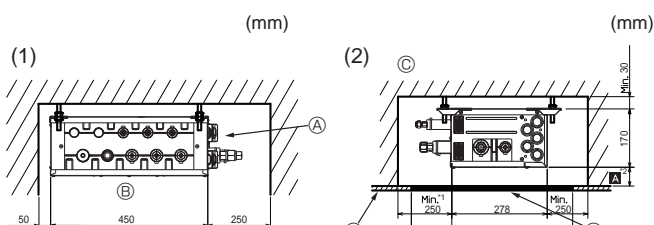


Fig. 4-6

Fig. 4-7

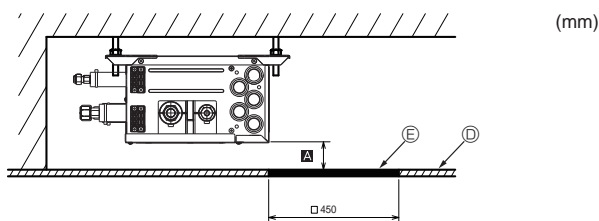


Fig. 4-8

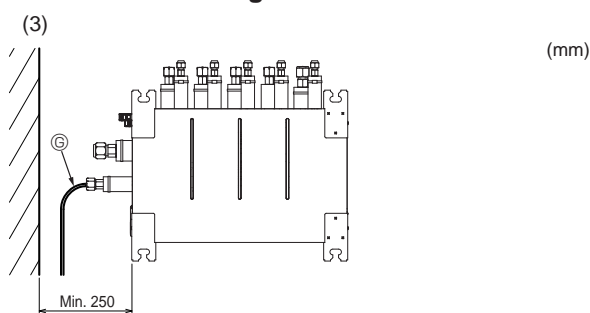


Fig. 4-9

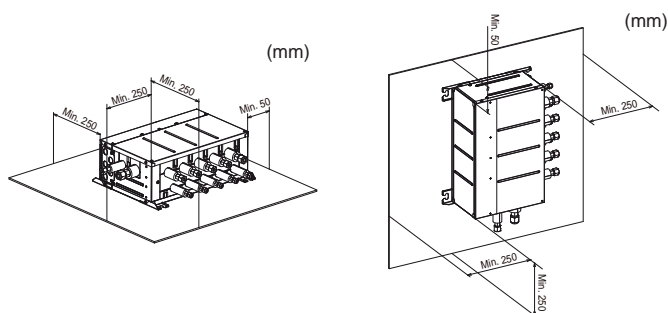


Fig. 4-10

Fig. 4-11

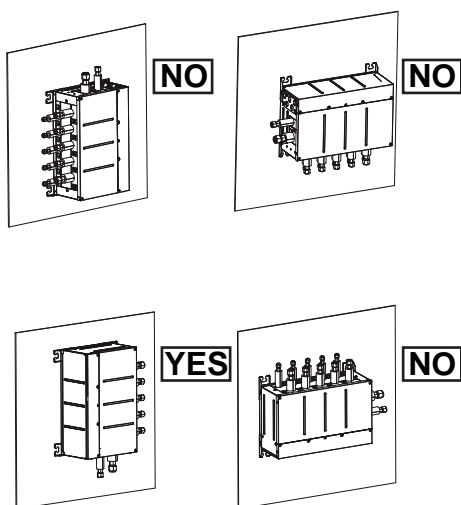


Fig. 4-12

4.2. Space required for installation and servicing

I. De ruimte bij het installeren met ophangbouten.

(1) Vooraanzicht (Fig. 4-6)

- Ⓐ Aftakdoos
- Ⓑ Aan de zijde van de pijpen

(2) Zijaanzicht (Fig. 4-7, Fig. 4-8)

- Ⓒ Voor installaties binnenshuis
- Ⓓ Plafondplaat
- Ⓔ Onderhoudsopening

*1: Bij bochten van 90° in de koelleidingen is minimaal 350 mm nodig.

***2: Ⓐ is "min. 200 mm" <aanbeveling>.**

Indien deze minder dan 200 mm bedraagt (bijvoorbeeld Ⓐ is 100 mm), wordt vervangingswerk aan de aftakdoos vanaf een onderhoudsgat moeilijk (alleen printplaten, lineaire-expansieklepspoelen, sensoren en afvoerbakken kunnen worden vervangen).

***3: Ⓑ is "□ 450 mm" <aanbeveling>.**

Ais "□ 450" maakt u een onderhoudsgat aan de zijde van een printplaat (zoals getoond in Fig. 4-8), en is "min. 300 mm" nodig als afstand Ⓐ. Indien deze minder dan 300 mm bedraagt (bijvoorbeeld Ⓐ is 100 mm), wordt vervangingswerk van de aftakdoos, lineaire-expansieklepspoelen, sensoren en afvoerbakken vanaf een onderhoudsgat moeilijk (alleen vervanging van een printplaat is mogelijk).

(3) Bovenaanzicht (Fig. 4-9)

- Ⓒ Koelleidingen

II. De ruimte bij het installeren op de vloer. (afb. 4-10)

III. De ruimte bij het installeren aan een muur. (afb. 4-11)

De installatierichting is beperkt wanneer u installeert op een muur. (afb. 4-12)

Als u de unit tegen een muur installeert, moet u de leidingen die op de buitenunit zijn aangesloten met de buitenunit omlaag gericht. Een andere wijze is niet acceptabel.

5. Koelleidingen

* Houd u altijd aan de specificaties van de installatiehandleiding van de buitenunit. Indien de voorschriften hiervan worden overschreden, kunnen de prestaties van de apparatuur minder worden en kunnen er storingen optreden.

6. Montage van de aftakdoos

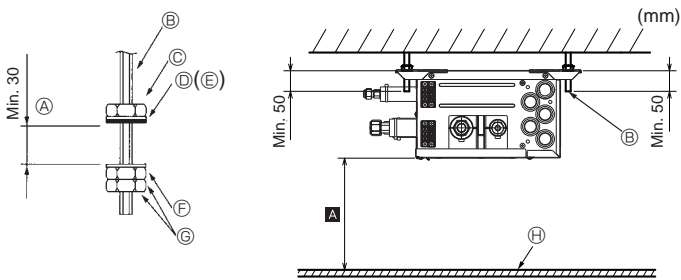


Fig. 6-1

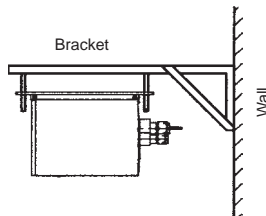


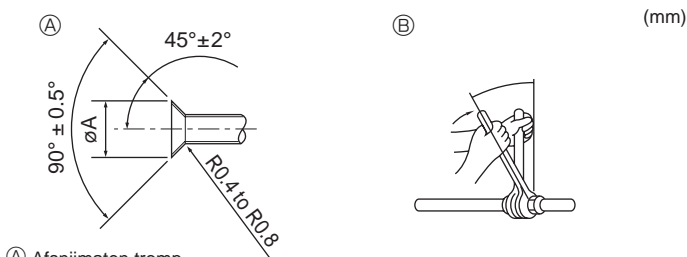
Fig. 6-2

* Schaf lokaal een geschikte beugel aan als u de unit tegen de wand wilt monteren.

- (1) Breng op de aangegeven tussenafstand de ophangbouten aan (lokaal aan te schaffen) (Fig. 4-2, 4-3).
- (2) Breng de ringen en moeren (①, ②, lokaal aan te schaffen) aan op de ophangbouten. (Fig. 6-1)
- (3) Hang de unit op de ophangbouten.
- (4) Draai de moeren volledig aan (controleer de hoogte ten opzichte van het plafond).
- (5) Stel de unit horizontaal af met een waterpas.

- Ⓐ Als de unit is opgehangen en de moeren zijn aangedraaid
 Ⓑ Ophangbout
 Ⓒ Moeren
 Ⓓ Ring (met kussen) ①
 Ⓔ Het kussen moet zich aan de onderkant bevinden
 Ⓕ Ring (zonder kussen) ②
 Ⓖ Moer (lokaal aan te schaffen)
 Ⓗ Plafondplaat.

7. De koelpijpen installeren



- Ⓐ Afsnijmaten tromp
 Ⓑ Aanhaalmoment flensmoer

Fig. 7-1

- Ⓐ Afsnijmaten tromp

Tabel 1

Buitendiameter koperen pijp (mm)	Afmetingen tromp øA (mm)
ø6,35	8,7-9,1
ø9,52	12,8-13,2
ø12,7	16,2-16,6
ø15,88	19,3-19,7

- Ⓑ Flare nut tightening torque

Tabel 2

Buitendiameter koperen pijp (mm)	Buitendiameter flensmoer (mm)	Aanhaalmoment (N*m)
ø6,35	17	14-18
ø6,35	22	34-42
ø9,52	22	34-42
ø12,7	26	49-61
ø12,7	29	68-82
ø15,88	29	68-82
ø15,88	36	100-120

- Sluit de vloeistof- en gaspijpen van elke binnenunit aan op dezelfde nummers van de eindaansluitingen, zoals voor de binnenunits staat aangegeven op het optrompverbindingsgedeelte van elke aftakdoos. Indien de aansluitingen op de verkeerde eindverbindingsnummers worden gemaakt, zal de installatie niet normaal functioneren.
- Let er bij het aansluiten van de binnenunits op, dat de koelpijpen en kabels op de juiste aansluitingen worden aangesloten, zoals met overeenkomende letters wordt aangegeven. (Bijvoorbeeld A, B, C, D, E)

Opmerking:

Markeer voor elke binnenunit alle lokale koelpijpen (vloeistof- en gaspijpen, enz.), waarbij duidelijk wordt aangegeven voor welke kamer ze zijn bestemd. (Bijvoorbeeld A, B, C, D, E)

- Vermeld de modelnamen van binnenunits op het etiket op de bedieningskast van de aftakbox (voor identificatie).

- Voer voldoende anti-condens- en isolatiewerkzaamheden uit om te voorkomen dat er water uit de koelvloeistofleiding druppelt. (vloeistofleiding/gasleiding)
- Vermeerder de isolatie volgens de omgeving waar de koelvloeistofleiding is geïnstalleerd, anders kan er condens optreden op het oppervlak van het isolatiemateriaal. (Isolatiemateriaal, warmtebestendige temperatuur: 120 °C, dikte: 15 mm of meer)
- * Wanneer de koelvloeistofleiding wordt gebruikt op locaties die worden blootgesteld aan een hoge temperatuur en vochtigheidsgraad, zoals op een zolder, kan er extra isolatie nodig zijn.

- Om de koelvloeistofleiding te isoleren, brengt u warmtebestendig polyethyleenschuim aan tussen het binnenapparaat en het isolatiemateriaal, evenals op het net tussen het isolatiemateriaal zodat alle openingen worden gevuld. (Condensvorming op de leidingen kan leiden tot condensatie in de kamer of tot brandwonden wanneer de leidingen worden aangeraakt.)

- Als u in de handel verkrijgbare koelpijpen toepast, dienen zowel de vloeistof- als gaspijpen met in de handel verkrijgbaar thermisch isolatiemateriaal te worden omwikkeld (isolatiematerialen minimaal 12 mm dik en in staat temperaturen boven 100°C te verdragen).

- Zie de installatiehandleiding van de buitenunit voor het vacuÛmpompen en het openen of sluiten van kranen.

- (1) Verwijder de optrompmoeren en de kappen van de aftakdoos.
- (2) Tromp de uitenden van de vloeistof- en gaspijpen op en breng koelolie (lokaal aan te schaffen) op de opgetrompte zitting aan.
Breng geen olie op de schroefdraadgedeelte.
- (3) Sluit de koelpijpen onmiddellijk aan. Draai de optrompmoeren altijd met een momentsleutel en een tweede moersleutel aan tot het aangegeven moment volgens de onderstaande tabel.
- (4) Druk de pijpafdekkingen ③ en ⑤ op de vloeistofpijpen tegen de unit en omwikkel deze om ze op hun plaats te houden. (Fig. 7-3)
- (5) Druk de pijpafdekkingen ④ en ⑥ op de gaspijpen tegen de unit en omwikkel deze om ze op hun plaats te houden. (Fig. 7-3)
- (6) Breng de meegeleverde banden ⑨ aan op een positie van 10 - 20 mm van elk uiteinde van de pijp (kappen ③④⑤⑥).
- (7) Indien de binnenunit niet is aangesloten, brengt u de meegeleverde pijpafdekkingen (met kappen, ⑦ en ⑧) op de koelpijpaansluitingen van de aftakdoos aan om te voorkomen dat condenswater van de pijpen kan druppelen. (Fig. 7-4)
- (8) Klem de pijpafdekkingen (⑦⑧) met de meegeleverde banden ⑨ op hun plaats.

7. De koelpijpen installeren

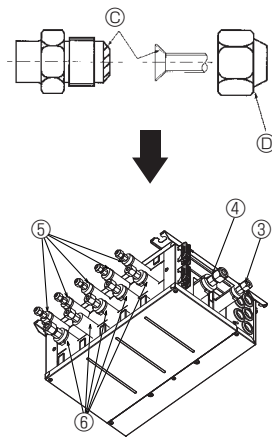


Fig. 7-2

⚠ Voorzichtig:

Draai de optrompvoer volgens de aangegeven methode aan met een momentsleutel.

Als u de optrompvoer te strak aandraait, zal de optrompvoer scheuren waardoor de koelstof gedurende enige tijd zal lekken.

ⓐ Breng op het gehele oppervlak van de optrompzitting koelolie aan (Fig. 7-2).

ⓑ Gebruik in principe de optrompvoeren die zich op de behuizing bevinden (in de handel verkrijgbare optrompvoeren kunnen scheuren).

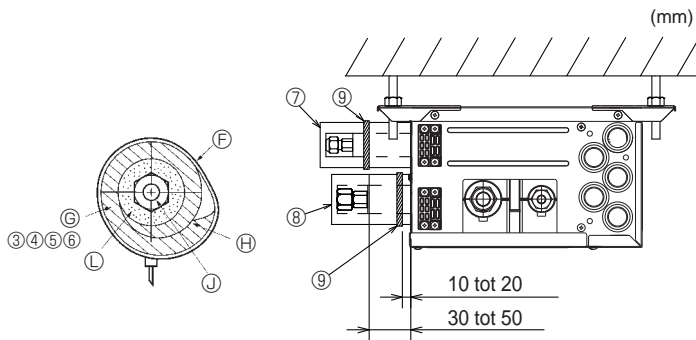


Fig. 7-3

Fig. 7-4

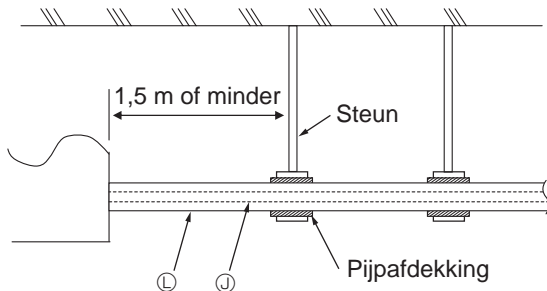


Fig. 7-5

Opmerking:

Voor sommige binnenunits is een speciale optrompvoer nodig (optioneel of meegeleverd bij de binnenunit). Zie de installatiehandleiding van de buiten- en binnenunits voor nadere gegevens.

- ⓕ Band ⑨
- ⓖ Pijpafdekkingen ③④⑤⑥
- ⓗ Aandraaien
- ⓓ Koelpijp
- ⓔ Thermische isolatie voor koelpijp

► Volg de onderstaande procedures voor onderdelen van de aftakdoos die niet aan een binnenunit zijn aangesloten. (Fig. 7-4)

- (1) Let erop, om koelstoflekage te voorkomen, dat de optrompvoeren worden aangedraaid met de momenten* die vermeld zijn in tabel 3.
 - * Er kan ook koelstof gaan lekken als de optrompvoeren strakker worden aangedraaid dan met de vermelde momenten.
- (2) Plaats om condensatie te voorkomen de pijpafdekkingen ⑦ ⑧ en zet ze vast met de meegeleverde banden ⑨.

Tabel 3

Diameters van openingen aftakdoos voor aansluiten van binnenunits (mm)	Aanhaalmoment (N•m)
∅6,35	13 ± 2
∅9,52	30 ± 2
∅12,7	50 ± 2

► Vullen met koelstof:

Zie de installatiehandleiding van de buitenunit.

Gebruik uitsluitend R410A-koelstof (het gebruik van andere koelstof kan problemen opleveren).

⚠ Voorzichtig:

Om overmatige belasting op de aftakdoos te voorkomen, moet u de leidingen ondersteunen met een of meer steunen op 1,5 m of minder van de aftakdoos.

Raadpleeg Fig. 7-5 als voorbeeld.

- ⓓ Koelvloeistofleidingen
- ⓔ Thermische isolatie voor koelvloeistofleidingen

8. Elektrische werkzaamheden

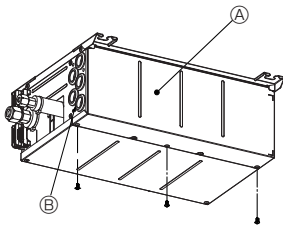


Fig. 8-1

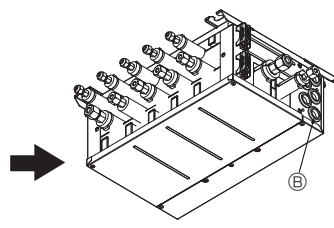


Fig. 8-2

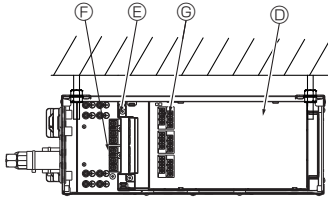


Fig. 8-3

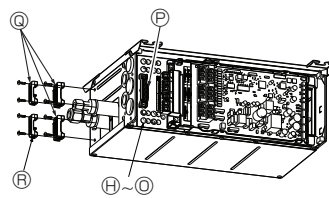


Fig. 8-4

- Ⓐ Elektrische afdekking
- Ⓑ Rubber bus
- Ⓒ Bedrading
- Ⓓ Printplaat
- Ⓔ Klemmenblok: TB5
- Ⓕ Klemmenblok: TB2B <Naar buitenunit>
- Ⓖ Klemmenblok: TB3A-TB3E <naar indoorunit>
- Ⓗ Aarding <naar buitenunit>

- Ⓚ Aarding <voor TB3A>
- Ⓛ Aarding <voor TB3B>
- Ⓜ Aarding <voor TB3D>
- Ⓝ Aarding <voor TB3C>
- Ⓟ Aarding <voor TB3E>
- Ⓠ Aarding <Naar andere aftakdoos>
- Ⓡ Kabelklem <For TB2B>
- Ⓢ Kabelklem <For TB3A-TB3E>
- Ⓣ Kabelklem <For TB5>

► Voorzorgsmaatregelen bij werkzaamheden met elektriciteit

⚠ Waarschuwing:

- Gebruik altijd speciale circuits met stroomonderbrekers van de aangegeven spanning.

Voedingscircuits van onvoldoende capaciteit en slecht vakmanschap bij installatie kunnen leiden tot elektrische schokken of brand.

⚠ Voorzichtig:

- Zorg voor goede aarding. Aard de unit niet op een pijp van de openbare voorzieningen, op bliksemafleidingen of op de aarding van telefooninstallaties. Onvoldedige aarding kan leiden tot elektrische schokken. Hoge stromen door blikseminslag of andere bronnen kunnen schade aan de airconditioner tot gevolg hebben.

- Voordat u de aangegeven elektrische kabels en sluit deze op de juiste wijze aan, en zie erop toe dat er geen spanning op staat.

Het niet opvolgen van deze voorschriften kan leiden tot draadbreek, warmteontwikkeling of brand.

- Voordat u de aftakdoos inschakelt, moet u de schakelaars instellen.
- Om de voeding in te schakelen, schakelt u de aftakdoos en dan de buitenunit in deze volgorde in. (In het geval voedingen voor de aftakdoos en de buitenunit gescheiden zijn)
- De kabels tussen de aftakdoos en de buitenunit en tussen de aftakdoos en de binnenunits dienen zowel voor voeding als voor signalen. Sluit de kabels aan volgens de nummers op de aansluitblokken, zodat correcte polariteit wordt verzekerd.
- Sluit de juiste koelpijpen en de juiste elektrische kabels aan op elke binnenunit. Verkeerd aangesloten kabels verhinderen de juiste werking van de unit.

► Sluit koelpijpen en aansluitkabels op de juiste aansluitingen aan. Deze zijn voorzien van letters (bijvoorbeeld A, B, C, D, E) op deze unit.

- Sluit eerst de voedingskabel van de buitenunit aan.
- Bevestig elke aardingsleiding apart met een aardingsschroef.
- Om te voorkomen dat kabels in het plafond door ratten, enz. kunnen worden aangevreten, dienen deze in buizen te worden ondergebracht.
 1. Verwijder de schroeven in de afdekkap. (Fig. 8-1)
 2. Stop de draden in de aftakdoos en bevestig elke draad op zijn plaats met een draadklem.
 3. Voer de kabels in in de aftakdoos. (Fig. 8-8)
 4. Stel dipswitch in. (Zie 8.3)
 5. Plaats de elektrische afdekking terug.

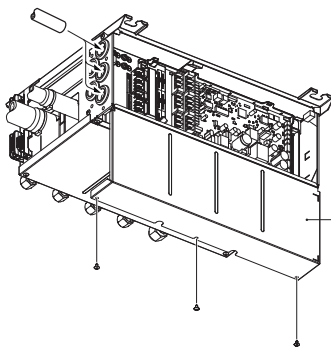


Fig. 8-5

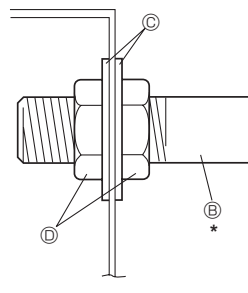


Fig. 8-6

8.1. Kabelbuizen gebruiken (Fig. 8-5,6,7)

Breng de horizontale kap weer aan als de bus op zijn plaats is aangebracht.

- Ⓐ Kap
- Ⓑ Kabelbus
- Ⓒ Ring
- Ⓓ Moer

Er kan kabelbus van maximaal 1" buitendiameter worden gebruikt.

- (1) Bij gebruik van kabelbus van 1", dient u de bus te verwijderen en aan de aftakdoos te bevestigen. Verwijder de horizontale kap bij het aanbrengen op de aftakdoos.
- (2) Indien u kabelbus van 3/4" of kleiner gebruikt, houdt u de bus in en voert u de kabelbus ongeveer 100 mm in de aftakdoos.

* Breng de horizontale afdekkap weer aan als de kabelgoot op zijn plaats is aangebracht.

⚠ Voorzichtig:

Om overmatige belasting op de aftakdoos te voorkomen, moet u de elektriciteitsleidingen (Ⓑ) ondersteunen met een of meer steunen op 1,5 m of minder van de aftakdoos. Raadpleeg Fig. 8-7 als voorbeeld.

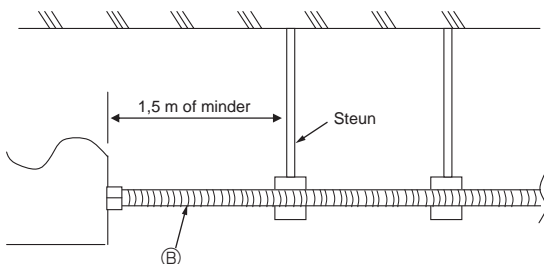


Fig. 8-7

8. Elektrische werkzaamheden

■ Lever stroom afzonderlijk naar de aftakdoos en de buitenunit

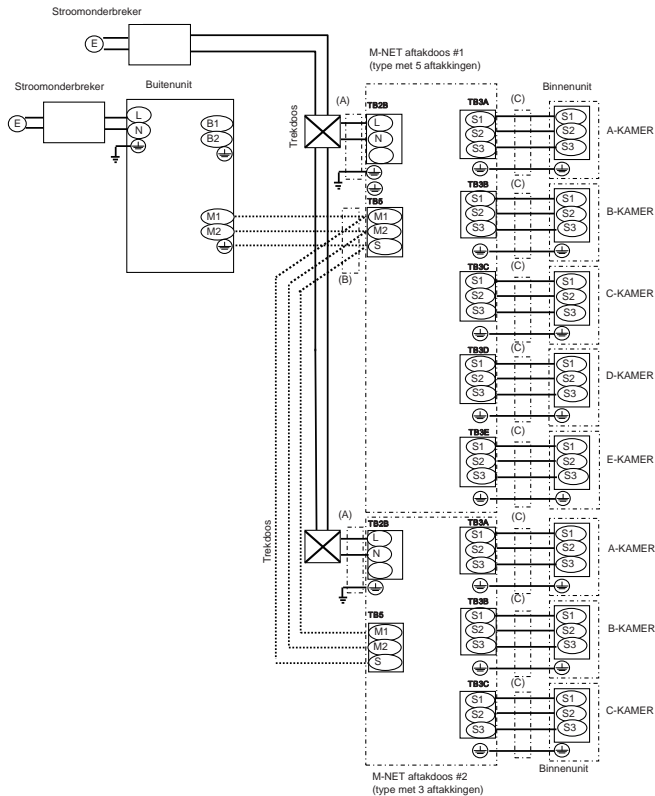
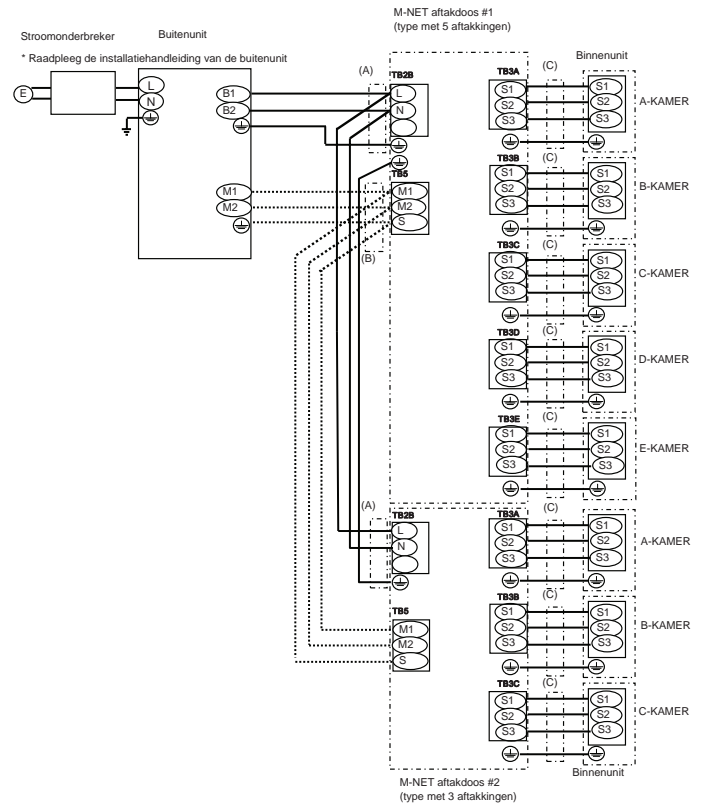


Fig. 8-8

8.2. Externe bedradingsprocedure (Fig. 8-8, Fig 8-9)

■ Voeding van buitenunit



© Voeding: eenfasig 220/230/240 V 50 Hz, 220 V 60 Hz

Opmerking:

- Sluit de lijnen (B), (C) aan in overeenstemming met de namen van de klemblokken om een juiste polariteit te garanderen.
- Voor de lijnen (C) zijn S1 en S2 voor het aansluiten van de stroombron. S2 en S3 zijn voor signalen. S2 is een gemeenschappelijke kabel voor de stroombron en het signaal.

Kabeldiameter		
(A) Netstroomlijn/ aardkabel	(B) M-NET-kabel afschermingsdraad CVVS, CPEVS of MVVS	(C) Signaallijn/ aardkabel
3-kernen 2,5 mm ²	2-kernen 1,25 mm ² minder dan 200 m	4-kernen 1,5 mm ² minder dan 25 m

Wanneer u de gedraaide kabel wilt gebruiken voor de bedrading, is het gebruik van de ronde klemlijst vereist.

- Opmerkingen:**
- De draaddiameters moeten overeenkomen met de van toepassing zijnde lokale en nationale voorschriften.
 - De netvoedingskabels en de aansluitkabels van binneneenheden/aftakdozen/buitenunit dienen niet lichter te zijn dan flexibele kabel met polychloropreenmantel. (ontwerp 60245 IEC 57)
 - Breng een aardingsleiding aan die langer is dan de voedingskabels.
 - Bundel de M-NET-kabel niet met de aansluitkabel en de voedingskabel. Dit kan een verkeerde werking veroorzaken.

⚠ Waarschuwing:

Splits de kabel nooit, anders kan er rook, brand of een communicatiestoring ontstaan.

M-NET aftakdoos
(type met 5 aftakkingen)

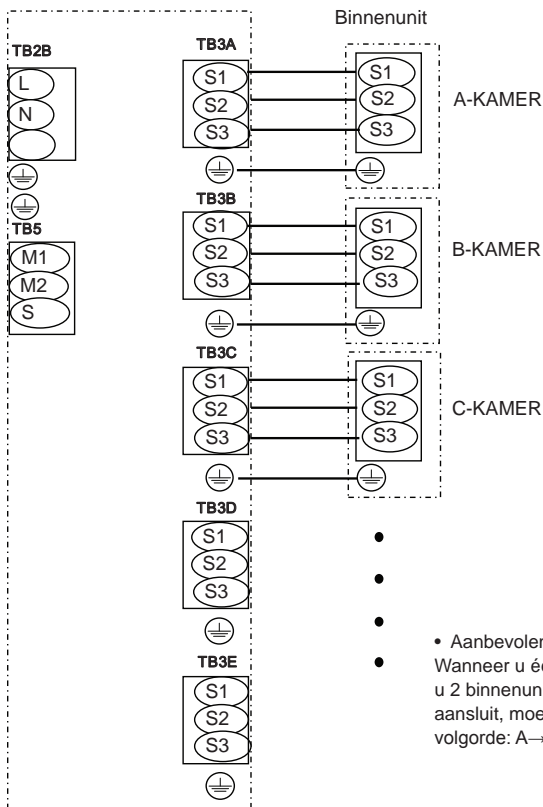


Fig. 8-9

• Aanbevolen aansluitmethode

Wanneer u één binneneenheid aansluit op de aftakdoos, sluit u deze aan op de TB3A. Wanneer u 2 binneneenheden aansluit, moet u ze aansluiten op TB3A en TB3B. Wanneer u 3 binneneenheden aansluit, moet u ze aansluiten op TB3A, TB3B en TB3C. Sluit de binneneenheden aan in deze volgorde: A→B→C→D→E.

8. Elektrische werkzaamheden

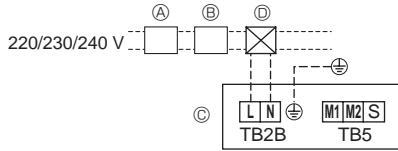


Fig. 8-10

Voedingsbedrading (voorzie de aftakdoos en de buitenunit gescheiden van stroom)

- Installeer een aardkabel die langer is dan de andere kabels.
- De voedingskabels van het apparaat mogen niet lichter zijn dan ontwerp 245IEC57 of 227IEC57, 245 IEC 53 of 227 IEC 53.
- Een schakelaar met minstens 3 mm, 1/8" contactafstand in elke pool moet worden voorzien door de installatie van de airconditioning.

[Fig. 8-10]

- Ⓐ Aardcontactonderbreker
- Ⓑ Lokale schakelaar/bedradingsonderbreker
- Ⓒ Aftakdoos
- Ⓓ Trekdoos

Totale bedrijfsstroom van de binnenuit	Minimale draaddikte (mm ² /AWG)					Onderbreker voor bedrading (NFB)	Aardcontactonderbreker *1
	Hoofdkabel	Tak	Aarding	Capaciteit	Zekering		
F0 = 15A of minder *2	2,1/14	2,1/14	2,1/14	15	15	15	15A huidige gevoeligheid *3
F0 = 20A of minder *2	3,3/12	3,3/12	3,3/12	20	20	20	20A huidige gevoeligheid *3
F0 = 30A of minder *2	5,3/10	5,3/10	5,3/10	30	30	30	30A huidige gevoeligheid *3

Toepassen op IEC61000-3-3 ca. max. voorwaardelijke systeemimpedantie.

*1 De aardcontactonderbreker moet het omkeerschakelingscircuit ondersteunen.

De aardcontactonderbreker moet het gebruik van de lokale schakelaar of de bedradingsonderbreker combineren.

*2 Neem de grootste waarde van F1 of F2 als de waarde voor F0.

F1 = Totale maximale bedrijfsstroom van de binnenuits × 1,2

F2 = (V1/C)

Aansluiten op aftakdoos (PAC-MK*BC)

Binnenuit	V1	V2
Type 1 SEZ-KD*VA, PCA-RP*KAQ, PLA-ZRP*BA(.UK)	19,8	2,4
Type 2 PEAD-RP*JAQ(L).UK	26,9	
Type 3 MLZ-KA*VA, SLZ-KA*VAQ(L)3	9,9	
Type 4 MSZ-FH*VE, MSZ-SF*VE, MSZ-EF*VE, MSZ-SF*VA	6,8	
Type 5 MFZ-KJ*VE	7,4	
Type 6 Aftakdoos (PAC-MK*BC)	5,1	

Aansluiten op aansluitset (PAC-LV11M)

Binnenuit	V1	V2
Type 1 MSY-EF*VE, MSY-GE*VA, MSY-GH, MSZ-GE*VA, MSZ-SF*VA, MSZ-SF*VE, MSZ-EF*VE, MSZ-FH*VE	6,8	2,4
Type 2 MFZ-KJ*VE	7,4	
Type 3 Aansluitset (PAC-LV11M)	3,5	

Binnenuit	V1	V2
Type 1 PMFY-VBM, PLFY-VBM, PEFY-VMS1, PCFY-VKM, PKFY-VHM, PKFY-VKM, PFFY-VLRMM, PFFY-VKM	19,8	2,4
Type 2 PLFY-VCM	9,9	
Type 4 PKFY-VBM	3,5	1,6
Type 5 PEFY-VMA	38,0	
Type 6 PLFY-VLMD, PEFY-VMH, PEFY-VMR, PDFY-VM, PFFY-VLEM, PFFY-VLRM	0	

C: Meervoud van uitschakelstroom bij uitschakeltijd van 0,01 s
Neem "C" van het uitschakelkenmerk van de onderbreker.

*Voorwaardelijke aftakdoos × 2 + SEZ-KD*VA × 5, C=8 (raadpleeg de voorbeeldgrafiek rechts)

F2 = 5.1 × 2/8 + 19.8 × 5/8

= 14.9

→ 16A onderbreker (uitschakelstroom = 8 × 16A aan 0,01s)

*3 De huidige gevoeligheid wordt berekend met behulp van de volgende formule.

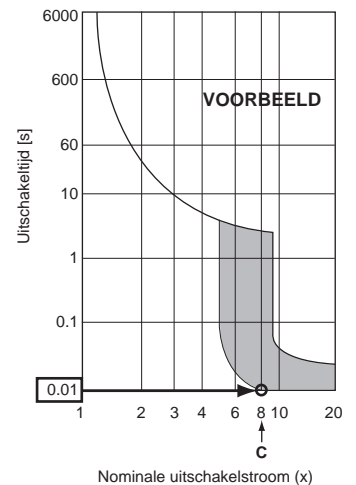
G1 = V2 + V3 × (draadlengte [km])

G1	Huidige gevoeligheid
30 of minder	30 mA 0,1sec of minder
100 of minder	100 mA 0,1sec of minder

Draaddikte (mm ² /AWG)	V3
2,1/14	48
3,3/12	56
5,3/10	66

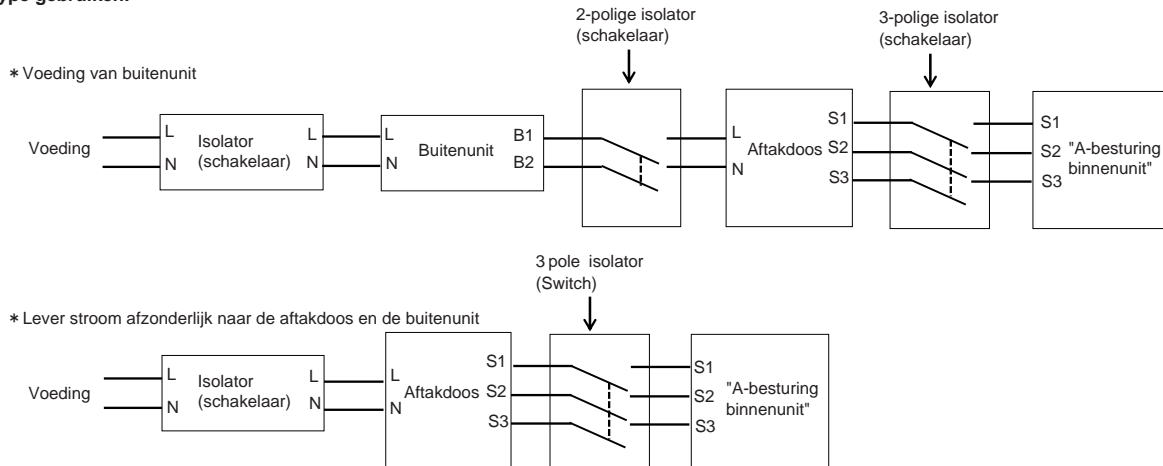
Binnenuit	V2
Binnenuit	2,4
Aftakdoos	3,0

Voorbeeldgrafiek



⚠ Waarschuwing:

In het geval van A-besturingsbedrading, is er kans op hoogspanning op de S3-terminal, veroorzaakt door het design van de stroomkring die geen elektrische isolatie heeft tussen de elektriciteitslijn en de communicatiesignaal kabel. Schakel daarom de netstroom uit tijdens het onderhoud. En raak de S1-, S2-, S3-terminals niet aan wanneer ze onder stroom staan. Als de isolator moet worden gebruikt tussen de buitenunit en de aftakdoos/binnenuit en aftakdoos, moet u een 3-polig type gebruiken.

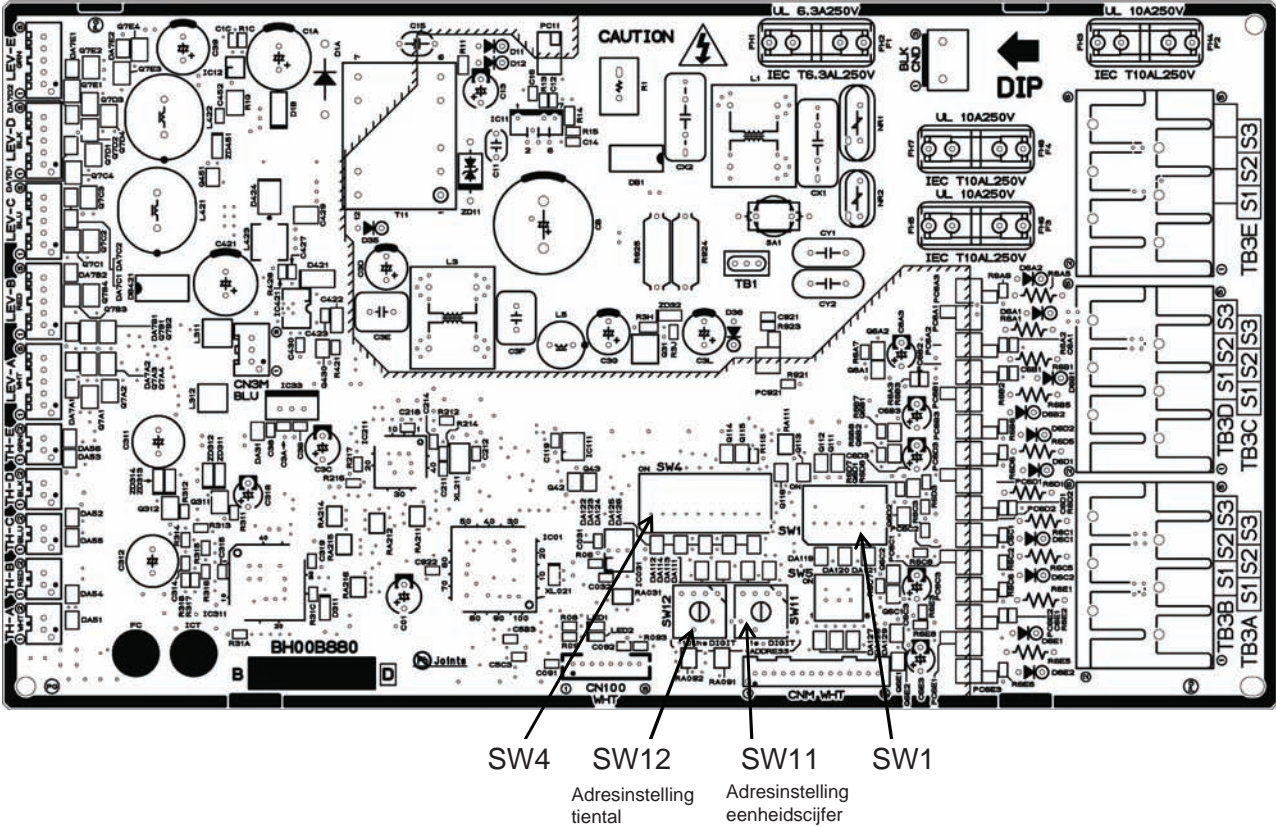


⚠ Waarschuwing:

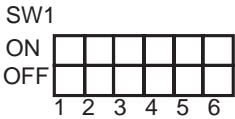
Nadat u de isolator hebt gebruikt, moet u de netstroom uitschakelen en inschakelen om het systeem te resetten. Anders is de buitenunit mogelijk niet in staat om de aftakdozen of binnenuits te detecteren.

8. Elektrische werkzaamheden

8.3. Schakelaarinstelling



Dipswitch-instelling (alleen effectief voordat de voeding wordt ingeschakeld)



- Binnenunit A
- Binnenunit B
- Binnenunit C
- Binnenunit D
- Binnenunit E
- Niet toegewezen

Schakelaar	OFF	ON
SW1-1	Nee	Ja
SW1-2	Nee	Ja
SW1-3	Nee	Ja
SW1-4	Nee	Ja
SW1-5	Nee	Ja
SW1-6		

Adresschakelaar (alleen effectief voordat de voeding wordt ingeschakeld)

De actuele adresinstelling van de binnenunit verschilt afhankelijk van het systeem. Raadpleeg de installatiehandleiding voor de buitenunit voor details over het opgeven van de adresinstelling.

Elk adres is ingesteld met een combinatie van de instellingen voor het tiental en eenheidscijfer.

(Voorbeeld)

- Wanneer het adres wordt ingesteld op "2", stelt u het eenheidscijfer op 3 en het tiental op 0.
- Wanneer het adres wordt ingesteld op "25", stelt u het eenheidscijfer op 5 en het tiental op 2.

(Voorbeeld)

- Wanneer u het adres van de aftakdoos instelt op "3", wordt een adres toegewezen aan elke binnenunit, te beginnen met unit A zoals hieronder weergegeven, ongeacht of elke binnenunit is aangesloten. (SW1-1-5 AAN)
 - Binnenunit A Adres 3
 - Binnenunit B Adres 4
 - Binnenunit C Adres 5
 - Binnenunit D Adres 6
 - Binnenunit E Adres 7
- Wanneer het adres is ingesteld op "25" en er ook 3 binnenunits (Unit A, Unit C en Unit E) zijn aangesloten. (SW1-1, 1-3, 1-5 AAN)
 - Binnenunit A Adres 25
 - Binnenunit C Adres 26
 - Binnenunit E Adres 27

9. Test uitvoeren

- Raadpleeg het hoofdstuk "Proefdraaien" van de installatiehandleiding van de binnen- en buitenunit.
- Wanneer de aftakdoos en de stroombron buiten gescheiden zijn, schakelt u eerst de voeding van de aftakdoos uit en schakelt u vervolgens de voeding van de buitenunit in.

Nadat er stroom is geleverd of nadat het gebruik even is gestopt, is een klein klikkend geluid hoorbaar vanaf de binnenkant van de aftakdoos. De elektronische expansieklep opent en sluit. De unit is niet defect.

- Zorg dat u het proefdraaien uitvoert in de koelmodus voor elke binnenunit. Zorg dat elke binnenunit correct werkt volgens de installatiehandleiding aan de unit is bevestigd.
- Als u het proefdraaien uitvoert voor alle binnenunits tegelijk, kunt u geen verkeerde aansluiting detecteren als die er al is, van de koelvloeistofleidingen en de aansluitkabels van de binnen-/buitenunit.
- Om te controleren op een verkeerde bedrading, voert u het proefdraaien uit voor elke binnenunit afzonderlijk.

⚠ Opgelet:

- **Gebruik de afstandsbediening voor het bedienen van de binnenunit.**
- **De volgende symptomen zijn geen defecten.**

Symptoom	Oorzaak	LED-display binnenunit *
Binnenunit werkt niet, zelfs indien ingesteld op koelende (verwarmende) werking	De koelende (verwarmende) werking kan niet worden bediend wanneer de koelende (verwarmende) werking van een andere binnenunit werkt.	Stand-by (voor multisysteem)
Ventilator binnenunit stopt tijdens verwarming	De ventilator stopt tijdens het ontdooien.	-
	De ventilator stopt wanneer de koelstofverzamelingsmodus ** is geactiveerd.	Stand-by (voor multisysteem)

* Raadpleeg de handleiding van binnenunits voor details.

** Deze modus wordt gedurende ongeveer 1 minuut geactiveerd om te helpen voorkomen dat er onvoldoende koelvloeistof wordt toegevoerd tijdens de verwarming wanneer de koelvloeistof is opgeslagen in een binnenunit die is uitgeschakeld of bij thermo-uit.

Contenido

1. Medidas de seguridad	50	6. Montaje de la Caja de Derivación	55
2. Selección del lugar de instalación	50	7. Instalación de los tubos de refrigerante	55
3. Confirmación de los accesorios suministrados	51	8. Trabajo eléctrico	57
4. Dimensiones y espacio requerido para mantenimiento y reparación de la Caja de Derivación	51	9. Prueba de funcionamiento	61
5. Tubos de refrigerante	54		

El presente manual de instalación sirve sólo para la instalación de la caja de derivación. Para instalar las unidades interiores y la unidad exterior, consulte el manual de instalación que se suministra con cada unidad.

1. Medidas de seguridad

- ▶ Antes de instalar la unidad, asegúrese de haber leído el capítulo de “Medidas de seguridad”.
- ▶ Antes de conectar el sistema, informe al servicio de suministro o pídales permiso para efectuar la conexión.
- ▶ Las series PAC-MK-BC están diseñadas como equipo profesional.
- ▶ Al recibir electricidad de la unidad exterior, las normas aplicables de la unidad exterior podrían no cumplirse, dependiendo de cuál sea la unidad interior utilizada.

⚠ Atención:

Describe las precauciones que deben tenerse en cuenta para evitar el riesgo de lesiones o muerte del usuario.

⚠ Cuidado:

Describe las precauciones que deben tenerse en cuenta para evitar daños en la unidad.

⚠ Atención:

- La unidad no debe ser instalada por el usuario.
- La instalación del aire acondicionado debe correr a cargo del distribuidor o técnico autorizado.
- Para la instalación, siga las instrucciones del Manual de instalación y utilice las herramientas y piezas de fontanería específicamente diseñadas para utilizar con el refrigerante especificado en el manual de instalación de la unidad exterior.
- La unidad debe instalarse según las instrucciones para reducir posibles daños en caso de terremoto, huracán o vientos fuertes. Si no se instala correctamente, la unidad podría caerse y provocar daños o lesiones.
- La unidad debe instalarse firmemente sobre una estructura capaz de soportar su peso.
- Si el equipo de aire acondicionado se instala en una sala pequeña deberán tomarse medidas para prevenir que la concentración de refrigerante exceda los límites de seguridad en caso de fugas. Si se produce una fuga de refrigerante que sobrepase los límites de concentración, la estancia en la sala puede ser peligrosa por falta de oxígeno.
- Si se produce una fuga de refrigerante durante el funcionamiento, ventile la sala. Si el refrigerante entra en contacto con una llama, se desprenderán gases nocivos.
- Todas las conexiones eléctricas deberán ser realizadas por un técnico cualificado según la normativa local y las instrucciones de este manual.
- Utilice sólo cables especificados para el cableado.
- El panel de la cubierta del bloque de terminales de la unidad debe colocarse firmemente.
- Utilice sólo accesorios autorizados por Mitsubishi Electric y pida a su distribuidor o a un técnico autorizado que se los instale.
- El usuario nunca debe intentar reparar la unidad o moverla de sitio.
- Tras haber realizado la instalación, compruebe si hay fugas de refrigerante. Si en caso de fuga el refrigerante entra en contacto con las llamas de un calentador o de un equipo de cocina portátil, se desprenderán gases nocivos.
- Asegúrese de conectar los cables de alimentación y los cables de conexión a las unidades interiores, unidades exteriores y a las cajas de derivación directamente con las unidades (sin ninguna conexión intermedia). Las conexiones intermedias pueden producir errores de comunicación en caso de que el agua moje los cordones o los cables de conexión y, por consiguiente, la toma a tierra sea insuficiente, así como el contacto eléctrico en el punto de conexión intermedio.

2. Selección del lugar de instalación

* La caja de derivación sólo se utiliza en interiores.

- Asegúrese de que la caja de derivación se instale en un lugar que facilite su acceso para reparación y mantenimiento. (asegúrese de que el orificio de mantenimiento esté accesible y de que haya espacio suficiente para realizar estas tareas).

- No la instale cerca de dormitorios. Es posible que a veces se oiga el ruido del refrigerante que circula por los tubos.
- Asegúrese de que se instale en un lugar donde el ruido del aparato no moleste.

Después de conectar la corriente o cuando se apaga el aparato durante un momento, puede que se oiga un pequeño “clic” en el interior de la caja de derivación. La válvula de expansión electrónica se está abriendo y cerrando. La unidad no está averiada.

Después de terminar la instalación, explique las “Medidas de Seguridad”, funcionamiento y mantenimiento de la unidad al cliente según el Manual de instrucciones y realice una prueba para asegurarse de que funciona correctamente. Entregue una copia del Manual de instalación y del Manual de instrucciones al usuario. Estos manuales deben pasar a usuarios posteriores del equipo.

⚡ : Indica una pieza que debe estar conectada a tierra.

⚠ Atención:

Lea atentamente las etiquetas adheridas a la unidad principal.

⚠ Cuidado:

- Asegúrese de que los tubos de refrigerante tengan un buen material aislante para evitar la condensación. Si el aislamiento no es total, se puede producir condensación en la superficie de los tubos, humedad en el techo y en el suelo, y afectar a otros objetos.
- No utilice la unidad en un ambiente enrarecido. Si instala el aire acondicionado en áreas expuestas al vapor, aceite esencial (incluyendo el aceite para máquinas), o humo sulfúrico, áreas con alto contenido en sal como playas, el rendimiento puede verse reducido significativamente y las piezas internas pueden dañarse.
- No instale la unidad donde se puedan verter, producir, circular o acumular gases inflamables. Si se acumula gas inflamable en zonas próximas a la unidad, se podría producir un incendio o una explosión.
- Si instala la unidad en un hospital o en un centro de comunicaciones, recuerde que la unidad produce ruidos e interferencias electrónicas. Los computadores, aparatos domésticos, equipos médicos de alta frecuencia y las comunicaciones de radio pueden provocar un mal funcionamiento o la avería del equipo de aire acondicionado. El equipo de aire acondicionado también puede afectar los equipos médicos e interrumpir los cuidados médicos, así como los equipos de comunicación y dañar la calidad de la pantalla.
- El tubo de refrigerante debe estar aislado térmicamente para evitar la condensación. Si el tubo de refrigerante no se aísla correctamente, se formará condensación.
- Sitúe material aislante térmico en las tuberías para evitar la condensación. Si el tubo de drenaje no se instala correctamente, se puede producir un escape de agua o daños en el techo, suelo, muebles u otros objetos.
- No limpie con agua el equipo de aire acondicionado. Puede sufrir una descarga eléctrica.
- Apriete las tuercas de abocardado a los niveles especificados mediante una llave dinamométrica. Si las aprieta demasiado, se pueden romper al cabo de un tiempo.
- Asegúrese de instalar disyuntores. Si no se instalan, podría producirse una descarga eléctrica.
- Utilice cables estándar de suficiente capacidad para las líneas eléctricas. De lo contrario, podría producirse un cortocircuito, un sobrecalentamiento o un incendio.
- Cuando instale las líneas eléctricas, no tense los cables. Si las conexiones se sueltan, los cables pueden partirse o romperse y provocar un sobrecalentamiento o un incendio.
- No conecte los cables de tierra a tuberías de agua o gas, pararrayos o líneas telefónicas de puesta a tierra. Si la unidad no está correctamente conectada a tierra, podría producirse una descarga eléctrica.

- Determine previamente el recorrido de los tubos de refrigerante y el cableado eléctrico.
- Asegúrese de que el lugar de instalación tenga suficiente espacio para que la longitud de los tubos del refrigerante se encuentre dentro de los límites especificados.

* No la instale en un lugar que tenga humedad y esté expuesta a temperaturas muy altas durante largos períodos de tiempo.

- A efectos de mantenimiento, asegúrese de que la caja de derivación se instale encima del techo del pasillo, cuarto de baño, etc., es decir, en lugares donde la gente no permanezca mucho tiempo (Evite instalarla en el centro de la habitación).

* Asegúrese de que la unidad se instale en un lugar que aguante su peso.

⚠ Atención:

Asegúrese de que la unidad se instale firmemente en un lugar que aguante su peso.

Si la instalación no tiene suficiente resistencia, la unidad se podría caer con el riesgo de provocar lesiones a terceros.

3. Confirmación de los accesorios suministrados

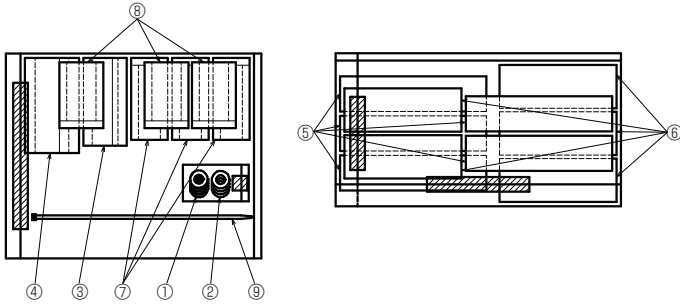


Fig. 3-1

3.1. Compruebe las piezas y accesorios de la Caja de Derivación

	Nombre del accesorio	Cantidad		
		PAC-MK30BC	PAC-MK50BC	
①	Arandela (con aislamiento)	4	4	
②	Arandela	4	4	
③	Cubierta de la tubería (Líquido)	1	1	A la unidad exterior
④	Cubierta de la tubería (Gas)	1	1	A la unidad exterior
⑤	Cubierta de la tubería (Líquido)	3	5	A la unidad interior
⑥	Cubierta de la tubería (Gas)	3	5	A la unidad interior
⑦	Cubierta de la unión (Líquido)	1	3	
⑧	Cubierta de la unión (Gas)	1	3	
⑨	Cinta	16	24	

4. Dimensiones y espacio requerido para mantenimiento y reparación de la Caja de Derivación

Juntas opcionales de diámetro diferente (deformadas)

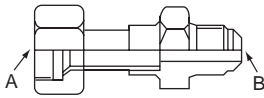


Fig. 4-1

Nombre del modelo	Diámetro de los tubos conectados mm	Diámetro A mm	Diámetro B mm
MAC-A454JP	ø9,52 → ø12,7	ø9,52	ø12,7
MAC-A455JP	ø12,7 → ø9,52	ø12,7	ø9,52
MAC-A456JP	ø12,7 → ø15,88	ø12,7	ø15,88
PAC-493PI	ø6,35 → ø9,52	ø6,35	ø9,52
PAC-SG76RJ-E	ø9,52 → ø15,88	ø9,52	ø15,88

■ PAC-MK50BC (de tipo 5 derivaciones)

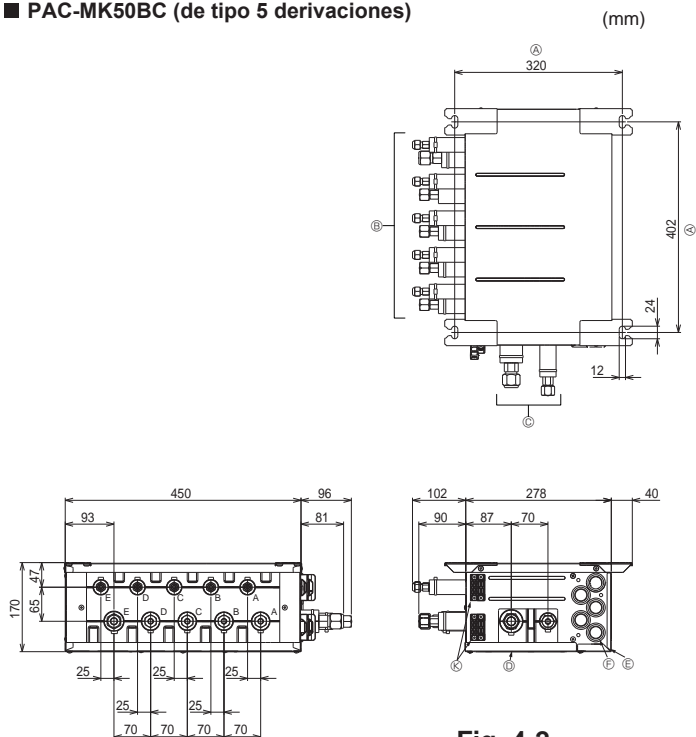


Fig. 4-2

- * Conecte dos unidades interiores o más con un sistema.
- * Se pueden conectar hasta 2 cajas de derivación a una unidad exterior.
- * Perno de suspensión : W3/8 (M10)
- * Conexión abocardada del tubo de refrigerante

* El tamaño de la conexión de los tubos varía en función del tipo y la capacidad de las unidades interiores. Haga que coincida el tamaño de la conexión de los tubos con la unidad interior y con la caja de derivación. Si el tamaño de la conexión de los tubos de la caja de derivación no coincide con el tamaño de la conexión de los tubos de la unidad interior, utilice juntas opcionales de diámetro diferente (deformadas) en el lateral de la caja de derivación. (Conecte la junta deformada directamente al lateral de la caja de derivación).

- Ⓐ Paso del perno de suspensión
- Ⓑ A la unidad interior
- Ⓒ A la unidad exterior
- Ⓓ Panel de servicio (para LEV, TERMISTOR)
- Ⓔ Cubierta eléctrica
- Ⓕ Cojinete de caucho
- Ⓖ Bloque de terminales (a la unidad interior en la placa de control)
- Ⓗ Bloque de terminales (a la unidad exterior)
- Ⓙ Bloque de terminales (para el cable de comunicación)
- Ⓚ Abrazadera

* Asegúrese de que la caja de derivación se instale tal y como se indica en el gráfico siguiente.

■ PAC-MK50BC (Fig.4-2)

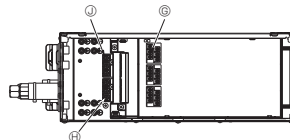
Perno de suspensión: W3/8 (M10)

Conexión abocardada del tubo de refrigerante

	A	B	C	D	E	A la unidad exterior
Tubo de líquido	ø6,35	ø6,35	ø6,35	ø6,35	ø6,35	ø9,52
Tubo de gas	ø9,52	ø9,52	ø9,52	ø9,52	ø12,7	ø15,88

Fórmula de conversión

1/4 F	ø6,35
3/8 F	ø9,52
1/2 F	ø12,7
5/8 F	ø15,88
3/4 F	ø19,05



4. Dimensiones y espacio requerido para mantenimiento y reparación de la Caja de Derivación

■ PAC-MK30BC (de tipo 3 derivaciones)

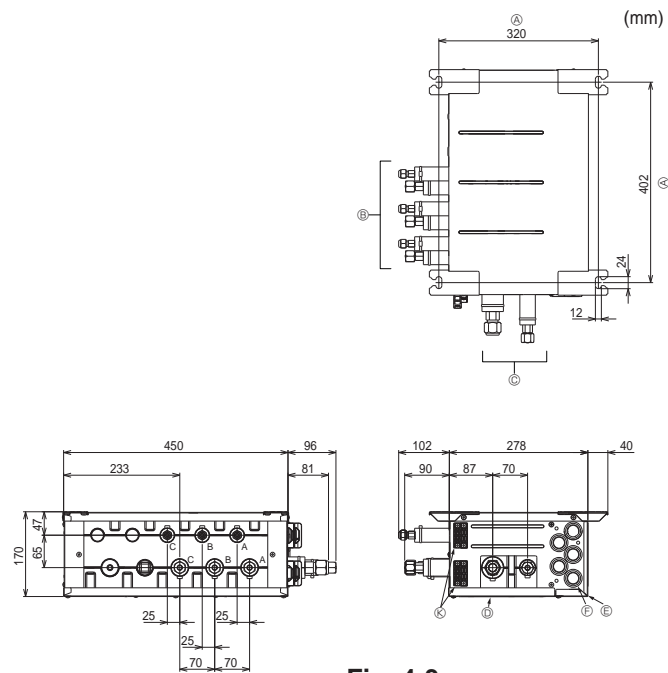


Fig. 4-3

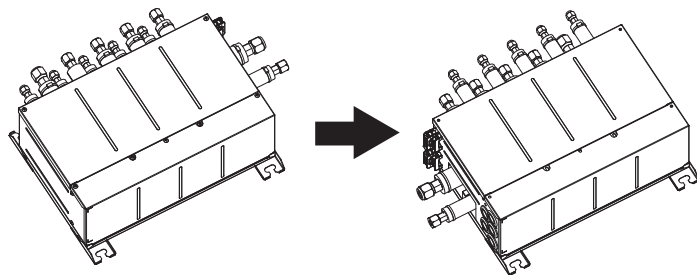
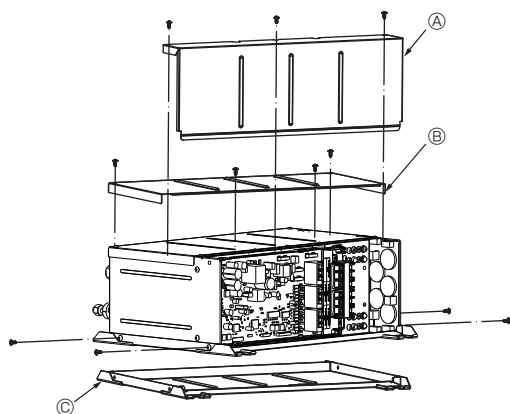


Fig. 4-4

② Retire la cubierta eléctrica, el panel de servicio y el panel superior.

- Ⓐ Cubierta eléctrica
- Ⓑ Panel de servicio
- Ⓒ Panel superior

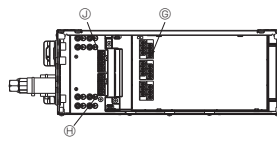


■ PAC-MK30BC (Fig.4-3)

Perno de suspensión: W3/8 (M10)

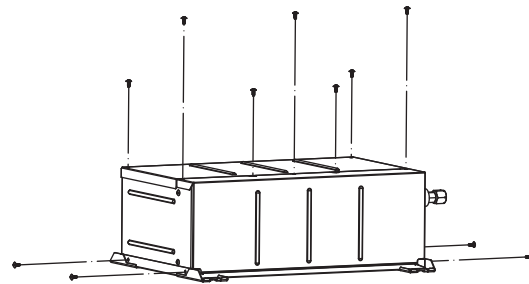
Conexión abocardada del tubo de refrigerante

	mm			
Tubo de líquido	ø6,35	ø6,35	ø6,35	ø9,52
Tubo de gas	ø9,52	ø9,52	ø9,52	ø15,88



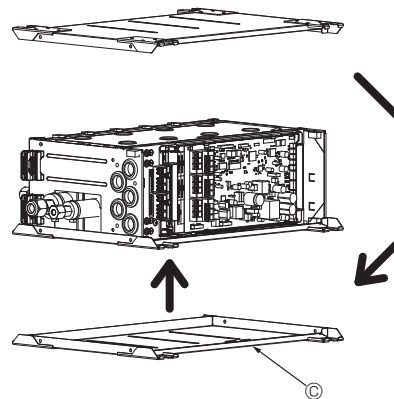
4.1. La dirección de los tubos puede cambiarse. (Fig. 4-4). [Procedimientos de trabajo] (Fig. 4-5)

① Retire los tornillos de cada una de las partes.



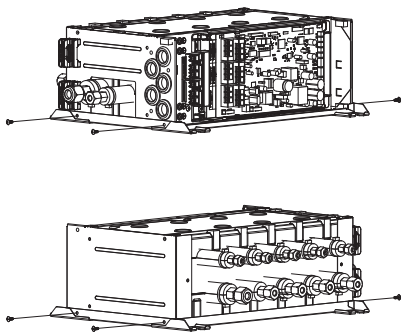
③ Instale el panel superior en la superficie opuesta.

- Ⓒ Panel superior



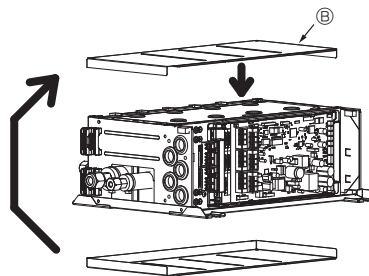
4. Dimensiones y espacio requerido para mantenimiento y reparación de la Caja de Derivación

④ Apriete los tornillos de cada una de las partes.

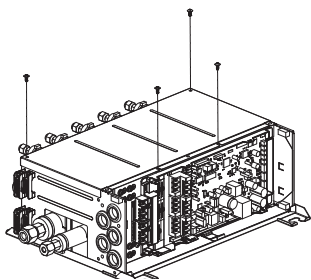


⑤ Instale el panel de servicio en la superficie opuesta.

ⓑ Panel de servicio

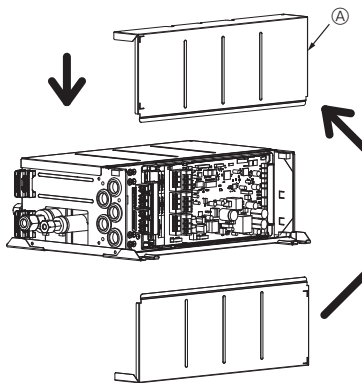


⑥ Apriete los tornillos.



⑦ Instale la cubierta eléctrica en la superficie opuesta.

Ⓐ Cubierta eléctrica



⑧ Apriete los tornillos.

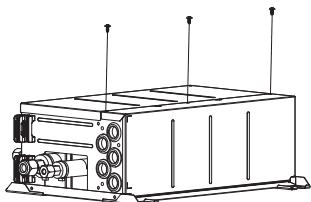


Fig. 4-5

4. Dimensiones y espacio requerido para mantenimiento y reparación de la Caja de Derivación

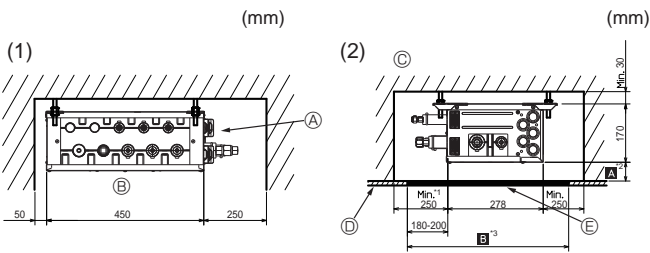


Fig. 4-6

Fig. 4-7

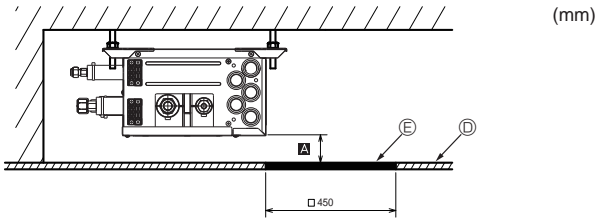


Fig. 4-8

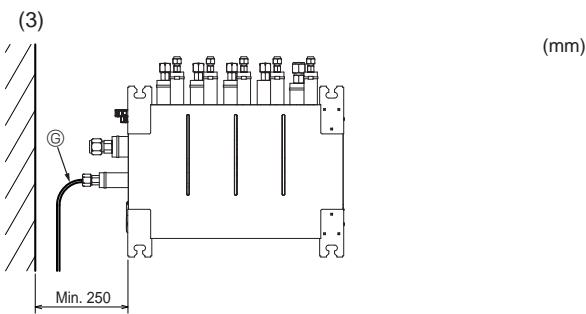


Fig. 4-9

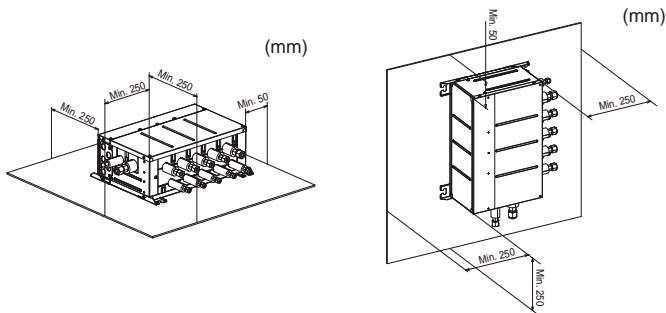


Fig. 4-10

Fig. 4-11

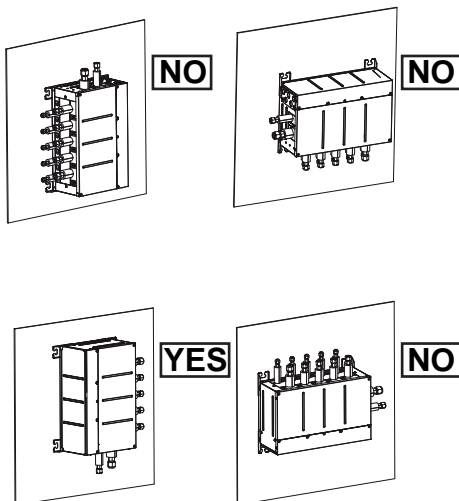


Fig. 4-12

4.2. Espacio requerido para instalación y mantenimiento

I. Espacio al realizar la instalación con los pernos de suspensión.

- (1) Vista frontal (Fig. 4-6)
 - A Caja de derivación
 - B Del lado de las tuberías
- (2) Vista lateral (Fig. 4-7, Fig. 4-8)
 - C Para instalaciones interiores
 - D Panel de techo
 - E Orificio de mantenimiento

*1: Para las encorvaduras de 90° en las tuberías de refrigerante se necesita un mínimo de 350 mm.

*2: A es "Mín. 200 mm" <recomendado>.

En caso de que sea inferior a 200 mm (por ejemplo A es 100 mm), los trabajos de intercambio de la caja de derivación desde un orificio de mantenimiento resultan difíciles (sólo es posible realizar trabajos de intercambio de una PCB, bobinas de la válvula de expansión lineal y sensores).

*3: B es "□ 600 mm" <recomendado>.

En el caso de "□ 450 mm", prepare un orificio de mantenimiento en el lado de la PCB (tal y como se muestra en la Fig. 4-8), y se necesitará "Mín. 300 mm" como distancia A.

En caso de que sea inferior a 300 mm (por ejemplo A es 100 mm), los trabajos de intercambio de la caja de derivación, bobinas de la válvula de expansión lineal y sensores desde el orificio de mantenimiento resultarán difíciles (sólo es posible realizar trabajos de intercambio de una PCB).

- (3) Vista superior (Fig. 4-9)
 - C Tubos de refrigerante

II. Espacio requerido al instalar en el suelo. (Fig. 4-10)

III. Espacio requerido al instalar en una pared. (Fig. 4-11)

La dirección de instalación está limitada cuando se instala en una pared.

(Fig. 4-12)

Cuando instale la unidad en la pared, instale los tubos conectados a la unidad exterior cara abajo. Otras formas de instalación no son aceptables.

5. Tubos de refrigerante

* Cumpla sistemáticamente con las especificaciones que figuran en el manual de instalación de la unidad exterior. Si sobrepasa las especificaciones indicadas, puede que disminuya el rendimiento del equipo y no funcione correctamente.

6. Montaje de la Caja de Derivación

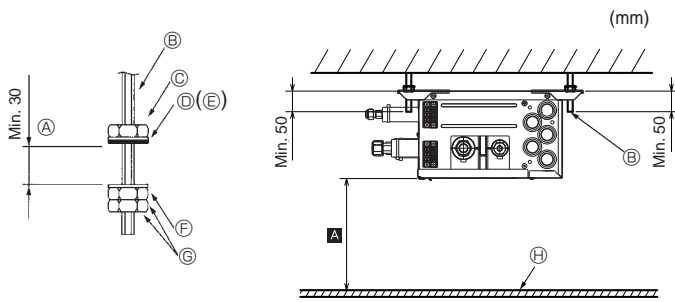


Fig. 6-1

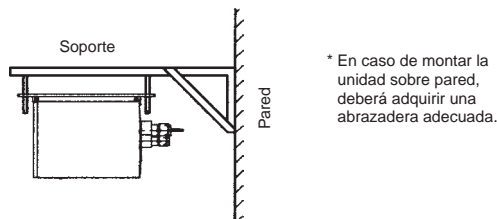
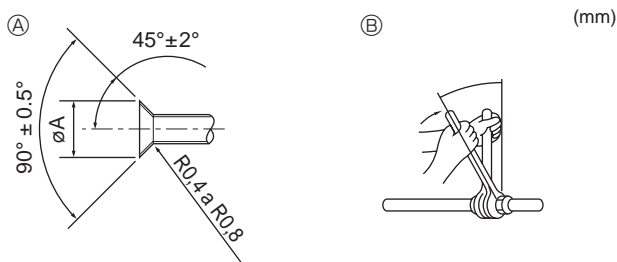


Fig. 6-2

- (1) Instale los pernos de suspensión (adquiridos localmente) con la separación especificada (Fig. 4-2, 4-3).
- (2) Fije las arandelas y tuercas (①, ②, adquiridas localmente) a los pernos de suspensión. (Fig. 6-1)
- (3) Cuelgue la unidad de los pernos de suspensión.
- (4) Apriete completamente las tuercas (compruebe la altura del techo).
- (5) Utilice un nivel para alinear la caja de derivación horizontalmente.

- A Cuando la unidad esté colgada y las tuercas fijadas
 B Perno de suspensión
 C Tuercas
 D Arandela (con cojinete) ①
 E Asegúrese de que el cojinete esté hacia abajo
 F Arandela (sin cojinete) ②
 G Tuerca (adquirida localmente)
 H Panel de techo

7. Instalación de los tubos de refrigerante



- A Dimensiones del corte abocinado
 B Torsión de apriete de la tuerca abocardada

- A Dimensiones del corte abocinado

Tabla 1

Tubo de cobre O.D. (mm)	Dimensiones de abocinado dimensiones øA (mm)
ø6,35	8,7-9,1
ø9,52	12,8-13,2
ø12,7	16,2-16,6
ø15,88	19,3-19,7

- B Torsión de apriete de la tuerca abocardada

Tabla 2

Tubo de cobre O.D. (mm)	Tuerca de abocardado O.D. (mm)	Torsión de apriete (N•m)
ø6,35	17	14-18
ø6,35	22	34-42
ø9,52	22	34-42
ø12,7	26	49-61
ø12,7	29	68-82
ø15,88	29	68-82
ø15,88	36	100-120

- ▶ Conecte los tubos de líquido y de gas de cada unidad interior a los mismos números de conexiones finales que se indican en la sección de conexión abocardada de la unidad interior de cada Caja de Derivación. Si se conecta a los números equivocados de las conexiones finales, no funcionará normalmente.

- ▶ Cuando conecte las unidades interiores, asegúrese de conectar los tubos de refrigerante y los cables de conexión a los puertos de conexión adecuados indicados con las letras correspondientes. (Ej.: A, B, C, D, E)

Nota:

Asegúrese de marcar todos los tubos de refrigerantes locales (tubos de líquido, tubos de gas, etc.) de cada unidad interior designando claramente a qué habitación pertenece. (Ej.: A, B, C, D, E)

- ▶ Anote los nombres de modelo de las unidades en la placa indicadora del cuadro de control de la Caja de Derivación (a efectos de identificación).

- Proporcione suficiente aislamiento y protección contra la condensación para evitar goteos de agua en la tubería de refrigeración. (tubería de líquido/tubería de gas)
- Incremente el aislamiento en función del entorno en el que está instalada la tubería de refrigeración, ya que podría producirse condensación en la superficie del material de aislamiento. (Material aislante Resistencia al calor: 120 °C, Grosor: 15 mm o más)
- * Cuando la tubería de refrigerante se utiliza en ubicaciones con temperaturas elevadas y altos niveles de humedad (por ejemplo, en áticos), es posible que se requiera un mayor aislamiento.
- Para aislar la tubería de refrigerante, aplique espuma de polietileno resistente al calor entre la unidad interior y el material aislante, así como en la malla entre el material de aislamiento, rellenando todos los huecos. (La condensación en la tubería podría ocasionar condensación en la habitación o provocar quemaduras al tocarla).
- ▶ Si utiliza los tubos de refrigerante convencionales, asegúrese de que tanto los tubos de líquido como de gas están envueltos en materiales térmicos aislantes comercialmente disponibles (deben ser materiales aislantes de un espesor mínimo de 12 mm y resistentes a temperaturas superiores a los 100 °C).
- ▶ Consulte el manual de instalación de la unidad exterior cuando quiera purgar el aire, y para abrir y cerrar las válvulas.
- (1) Retire las tuercas abocardadas y las tapas de la caja de derivación.
- (2) Proceda a abocardar los extremos de la tuberías de líquido y de gas y aplique aceite de refrigeración (adquirido localmente) a la superficie abocardada. No aplique aceite en la parte roscada.
- (3) Conecte inmediatamente los tubos de refrigerante. Apriete siempre las tuercas abocardadas según la torsión que se indique en la tabla 2; para ello, utilice una llave dinamométrica y llave doble.
- (4) Presione las cubiertas de los tubos ③ y ⑤ de la tubería de líquido contra la unidad y envuélvala para que se fije. (Fig. 7-3)
- (5) Presione las cubiertas de los tubos ④ y ⑥ de la tubería de gas contra la unidad y envuélvala para que se fije. (Fig. 7-3)
- (6) Aplique las cintas suministradas ⑨ en una posición de 10 - 20 mm de cada extremo de las cubiertas de los tubos (③ ④ ⑤ ⑥).
- (7) Si la unidad interior no está conectada, ajuste las cubiertas de los tubos que se suministran (con las tapas ⑦ y ⑧) en las conexiones de los tubos de refrigerante de la caja de derivación contra la unidad para evitar el goteo de condensación de los tubos. (Fig. 7-4)
- (8) Fije las cubiertas de los tubos (⑦ ⑧) con las cintas ⑨ suministradas.

7. Instalación de los tubos de refrigerante

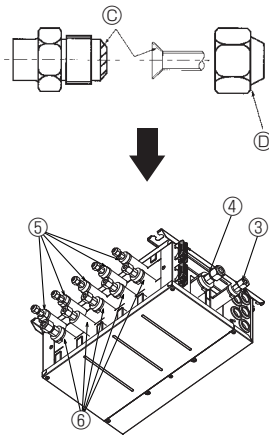


Fig. 7-2

⚠ Cuidado:

Apriete la tuerca abocardada con una llave dinamométrica según el método indicado.

Si la aprieta excesivamente puede que la tuerca se resquebraje y provoque con el tiempo un goteo de agua.

ⓐ Aplique aceite de refrigeración a la totalidad de la superficie abocardada (Fig. 7-2).

ⓑ Básicamente, utilice tuercas abocardadas que se puedan adaptar (las tuercas abocardadas comercialmente disponibles pueden resquebrajarse).

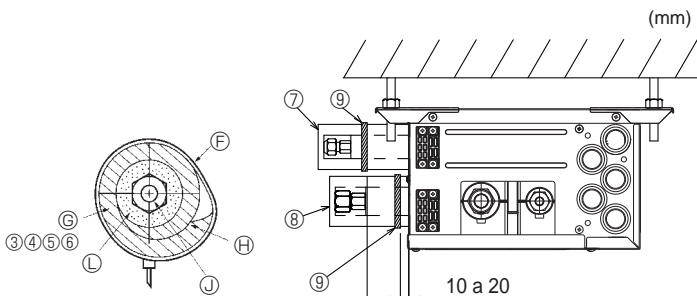


Fig. 7-3

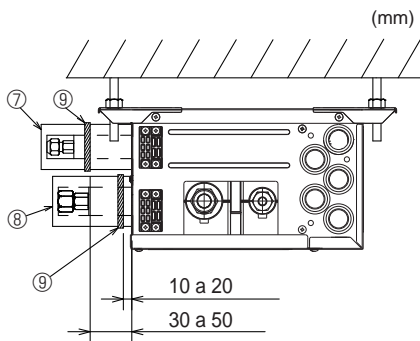


Fig. 7-4

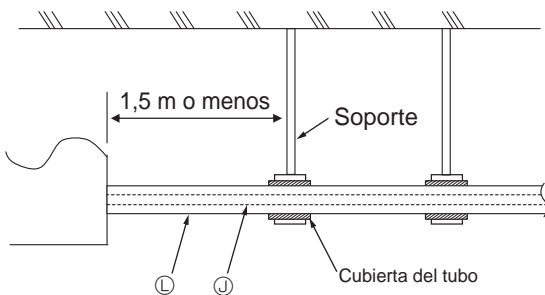


Fig. 7-5

Nota:

Será necesario utilizar una tuerca abocardada especial (opcional o conectada a la unidad interior) para algunas unidades interiores.

Para obtener información detallada, consulte el manual de instalación de la unidad exterior y de la unidad interior.

- ⓕ Cinta ⑨
- ⓖ Cubiertas de los tubos ③ ④ ⑤ ⑥
- ⓗ Apretar
- ⓓ Tubo de refrigerante
- Ⓛ Material térmico aislante para tubo de refrigerante

► Utilice los siguientes procedimientos para la parte de conexión interior cuando la unidad interior no está conectada. (Fig. 7-4)

- (1) Para evitar fugas de refrigerante, asegúrese de que las tuercas abocardadas están apretadas según los pares* especificados en la tabla 3.
* El refrigerante también puede salir si las tuercas se aprietan más de lo especificado en los pares.
- (2) Para evitar la condensación, instale las cubiertas de las tuberías ⑦ ⑧ contra la unidad y apriételas con las cintas suministradas ⑨.

Tabla 3

Diámetros de las aberturas de la caja de derivación para conectar las unidades interiores (mm)	Par de torsión (N•m)
∅6,35	13 ± 2
∅9,52	30 ± 2
∅12,7	50 ± 2

► Carga de refrigerante:

Consulte el manual de instalación de la unidad exterior.

Utilice sólo el refrigerante R410A (la utilización de otro tipo de refrigerantes puede generar problemas).

⚠ Cuidado:

Para evitar ejercer demasiada presión en la caja de derivación, refuerce los tubos con uno o más soportes situados a 1,5 m o menos de la caja de derivación.

Tome la Fig. 7-5 como referencia.

- ⓓ Tubo de refrigerante
- Ⓛ Material térmico aislante para tubo de refrigerante

8. Trabajo eléctrico

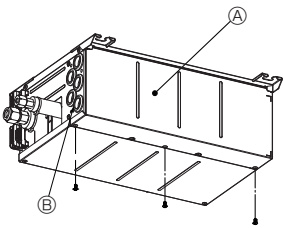


Fig. 8-1

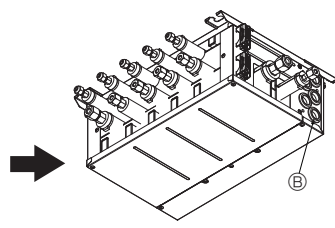


Fig. 8-2

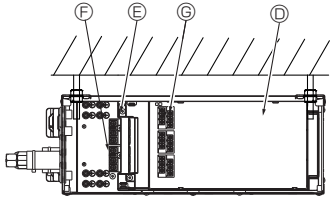


Fig. 8-3

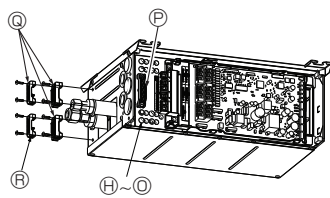


Fig. 8-4

- Ⓐ Cubierta eléctrica
- Ⓑ Cojinete de caucho
- Ⓒ Cableado
- Ⓓ Tarjeta controladora
- Ⓔ Bloque de terminales: TB5
- Ⓕ Bloque de terminales: TB2B <A unidad exterior>
- Ⓖ Bloque de terminales: TB3A-TB3E <A unidad interior>
- Ⓗ Terminal de toma de tierra <A unidad exterior>
- Ⓙ Terminal de toma de tierra <Para TB3A>
- Ⓚ Terminal de toma de tierra <Para TB3B>
- Ⓛ Terminal de toma de tierra <Para TB3D>
- Ⓜ Terminal de toma de tierra <Para TB3C>
- Ⓝ Terminal de toma de tierra <Para TB3E>
- ⓐ Terminal de toma de tierra <Para otra Caja de Derivación>
- Ⓟ Abrazadera <Para TB2B>
- Ⓠ Abrazadera <Para TB3A-TB3E>
- Ⓡ Abrazadera <Para TB5>

► Precauciones con el tendido eléctrico.

⚠ Atención:

- Utilice siempre circuitos exclusivos con disyuntores y con el voltaje nominal. Los circuitos de alimentación que no tengan la capacidad suficiente y que no hayan sido instalados adecuadamente, pueden provocar descargas eléctricas o incendios.

⚠ Cuidado:

- Asegúrese de instalar una toma de tierra. La derivación a tierra de la unidad no debe conectarse a la red pública, pararrayos o toma a tierra de líneas telefónicas. Una puesta a tierra incompleta podría provocar descargas eléctricas. Un sobrevoltaje resultante de un rayo o de otras fuentes podría dañar el aparato.
- Utilice el cableado eléctrico que se especifica, y asegúrese de que esté conectado correctamente y no estén sujetos a una tensión inadecuada. Si no se cumplen estos requisitos, se podría producir una rotura de los cables, un exceso de calentamiento o un incendio.
- Asegúrese de ajustar los interruptores antes de encender la caja de derivación.
- Para encender, encienda primero la caja de derivación y luego la unidad exterior, en ese orden. (Cuando la caja de derivación y la unidad exterior tengan fuentes de alimentación independientes.)
- El cableado que conecta la caja de derivación con la unidad exterior, y la caja de derivación con las unidades interiores, funciona como alimentación eléctrica y como cable para señalización. Conecte este cableado conforme a los números de los bloques de terminales para garantizar que la polaridad sea la correcta.
- Asegúrese de que se conecten los tubos de refrigerante y el cableado eléctrico correctos a cada unidad interior. Si el cableado no fuese el adecuado, entorpecería el buen funcionamiento de la unidad.

► Conecte los tubos de refrigerante y los cables de conexión a los puertos correspondientes marcados con las letras coincidentes (Ej.: A, B, C, D, E) de esta unidad.

- En primer lugar, conecte el cable de alimentación de la unidad exterior.
- Instale cada cable de puesta a tierra por separado con un tornillo de puesta a tierra.
- Para evitar que el cableado instalado en el techo sea mordido por roedores, etc., se deberá instalar en un conducto de cables.
 1. Retire la cubierta eléctrica. (Fig. 8-1)
 2. Introduzca el cableado en la caja de derivación, sujetando cada cable con una abrazadera.
 3. Conecte firmemente cada cable al bloque de terminales pertinente. (Fig. 8-8)
 4. Ajuste el interruptor DIP. (Consulte el 8.3)
 5. Vuelva a colocar la cubierta eléctrica.

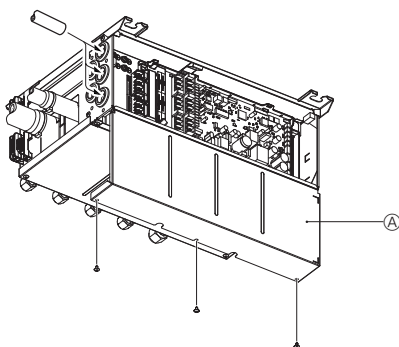


Fig. 8-5

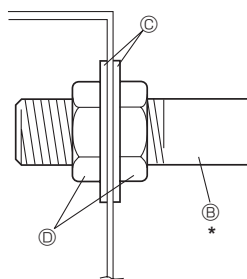


Fig. 8-6

8.1. Cuando se utiliza un conducto de cableado (Fig. 8-5, 6, 7)

Una vez que instale el conducto de cableado, vuelva a colocar la cubierta horizontal.

- Ⓐ Cubierta
- Ⓑ Conducto de cableado
- Ⓒ Arandela
- Ⓓ Tuerca

Se puede utilizar un conducto de cableado con un máximo de diámetro exterior de 1".

- (1) Si se utiliza un conducto de cableado con un máximo de diámetro exterior de 1", retire el cojinete y fíjelo a la caja de derivación. Retire la cubierta horizontal cuando realice la instalación en la caja de derivación.
- (2) Si se utiliza un conducto de cableado con un diámetro exterior de 3/4" o menor, haga un corte en el cojinete e inserte el conducto de cableado aproximadamente 100 mm dentro de la caja de derivación.

* Una vez que instale el conducto de cableado, vuelva a colocar la cubierta horizontal.

⚠ Cuidado:

A fin de evitar una presión excesiva sobre la caja de derivación, sostenga el conducto de cableado Ⓑ con uno o más soportes a un máximo de 1,5 m de la caja de derivación.

Consulte la Fig. 8-7 a modo de ejemplo.

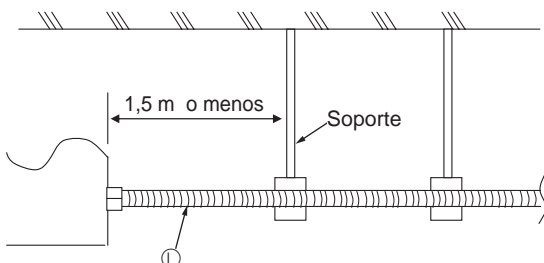


Fig. 8-7

8. Trabajo eléctrico

■ Suministre alimentación de forma separada a la caja de derivación y a la unidad exterior

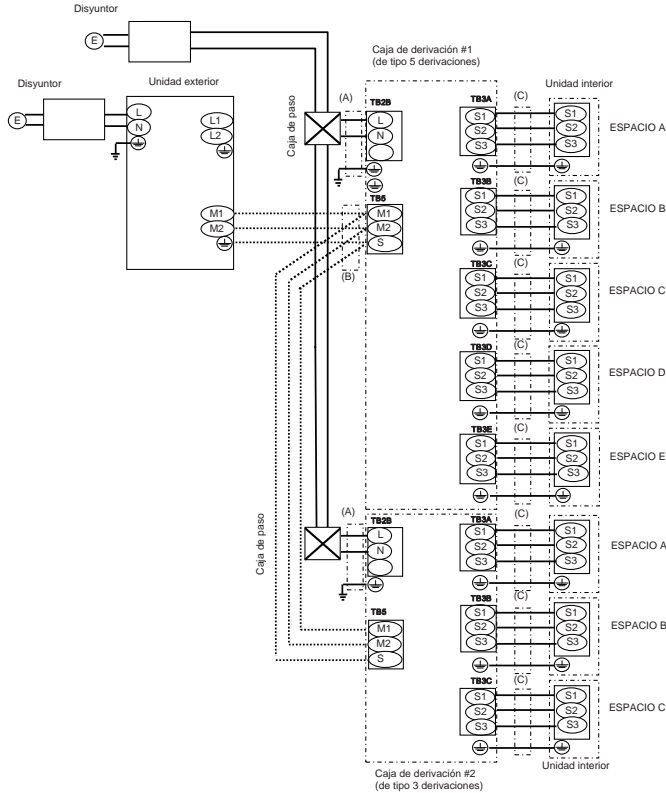
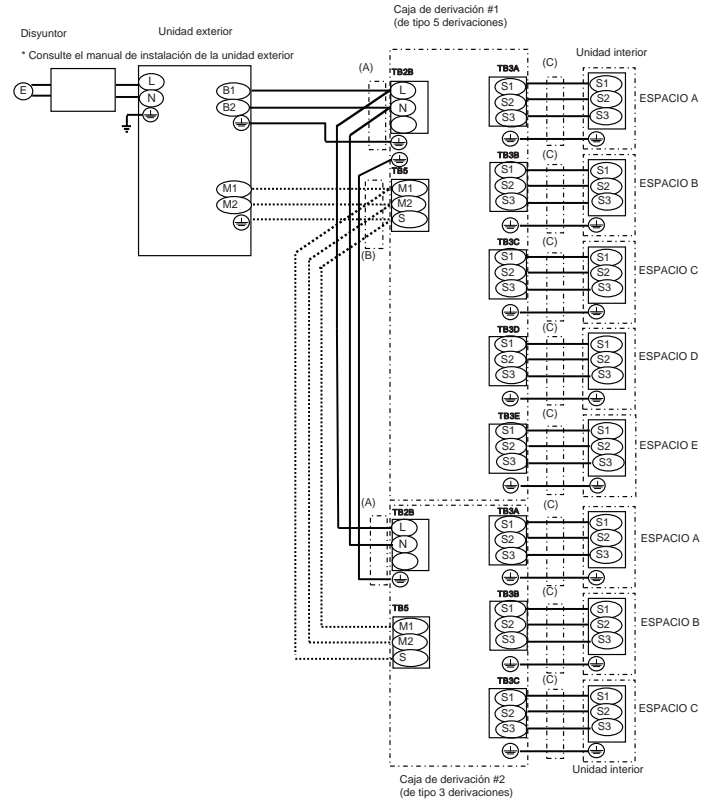


Fig. 8-8

8.2. Procedimiento de cableado exterior (Fig. 8-8, Fig 8-9)

■ Fuente de alimentación de la unidad exterior



Ⓔ Fuente de alimentación: 220/230/240 V 50 Hz, 220 V 60 Hz

Nota:

- Conecte las líneas (B), (C) según los nombres de los bloques de terminales para asegurar que la polaridad sea la correcta.
- En cuanto a las líneas (C), S1 y S2 sirven para conectar la fuente de alimentación. Y S2 y S3 sirven para señalización. S2 es un cable común para alimentación y señalización.

Diámetro del cable		
(A) Línea eléctrica principal/Línea de tierra	(B) Cable M-NET Cable apantallado CVVS, CPEVS o MVVS	(C) Línea de señal/ Línea de tierra
3 núcleos 2,5 mm ²	2 núcleos 1.25 mm ² Menos de 200m	4 núcleos 1.5 mm ² Menos de 25 m

Se requiere un terminal redondo cuando se utiliza cable de par trenzado.

- Notas:**
- El diámetro de los cables debe cumplir la normativa local y nacional.
 - Los cables de la fuente de alimentación y los cables de conexión de la unidad interior/caja de derivación/unidad exterior no deben ser más ligeros que el cable flexible forrado de policloropreno. (Diseño 60245 IEC 57)
 - Instale una línea de tierra más larga que los cables de alimentación.
 - No ate el cable M-NET con el cable de conexión y el cable de alimentación. Puede causar un funcionamiento erróneo.

⚠ Advertencia:

No empalme nunca el cable, ya que ello podría provocar humo, un incendio o un error de comunicación.

Caja de derivación (de tipo 5 derivaciones)

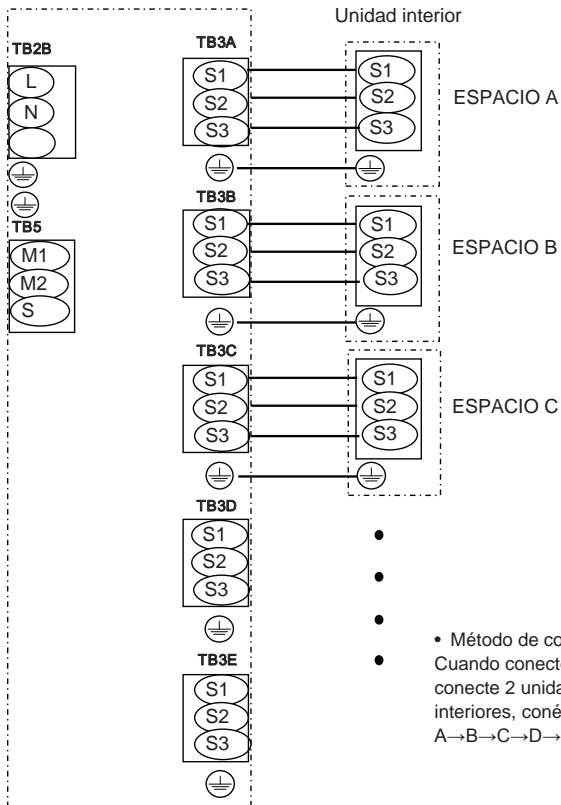


Fig. 8-9

• Método de conexión recomendado

Quando conecte una unidad interior a la caja de derivación, conéctela a TB3A. Cuando conecte 2 unidades interiores, conéctelas a TB3A y TB3B. Cuando conecte 3 unidades interiores, conéctelas a TB3A, TB3B y TB3C. Conecte las unidades interiores en el orden A→B→C→D→E.

8. Trabajo eléctrico

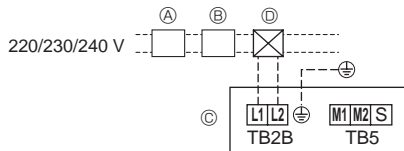


Fig. 8-10

■ Cableado de alimentación (Suministre alimentación de forma separada a la caja de derivación y a la unidad exterior)

- Instale un cable de tierra más largo que los demás cables.
- Los cables de la fuente de alimentación del aparato eléctrico no deben ser más ligeros que el diseño 245 IEC 57, 227 IEC 57, 245 IEC 53 o 227 IEC 53.
- La instalación del aire acondicionado debe proporcionar un interruptor con un mínimo de 3 mm (1/8 inch) de separación entre los contactos de cada polo.

[Fig. 8-10]

- Ⓐ Interruptor de falta de tierra
- Ⓑ Interruptor local/Interruptor de cableado
- Ⓒ Caja de derivación
- Ⓓ Caja de paso

Corriente operativa total de la unidad interior	Grosor mínimo de cable (mm ² /AWG)					Interruptor para cableado (NFB)	Interruptor de falta de tierra *1
	Cable principal	Ramal	Tierra	Capacidad	Fusible		
F0 = 15 A o menos *2	2,1/14	2,1/14	2,1/14	15	15	15	Sensibilidad de corriente de 15 A *3
F0 = 20 A o menos *2	3,3/12	3,3/12	3,3/12	20	20	20	Sensibilidad de corriente de 20 A *3
F0 = 30 A o menos *2	5,3/10	5,3/10	5,3/10	30	30	30	Sensibilidad de corriente de 30 A *3

Aplicase el IEC61000-3-3 para la impedancia máx. admitida en el sistema.

*1 El interruptor de falta de tierra debería ser compatible con el circuito del inversor.

El interruptor de falta de tierra debería emplear un interruptor local o un interruptor de cableado.

*2 Emplee el mayor de F1 o F2 como valor de F0.

F1 = corriente máxima operativa total de las unidades interiores × 1,2

F2 = (V1/C)

Connect to Branch box (PAC-MK*BC)

Indoor unit	V1	V2
Type 1 SEZ-KD*VA, PCA-RP*KAQ, PLA-ZRP*BA(.UK)	19,8	2,4
Type 2 PEAD-RP*JAQ(L).UK	26,9	
Type 3 MLZ-KA*VA, SLZ-KA*VAQ(L)3	9,9	
Type 4 MSZ-FH*VE, MSZ-SF*VE, MSZ-EF*VE, MSZ-SF*VA	6,8	
Type 5 MFZ-KJ*VE	7,4	
Type 6 Branch box (PAC-MK*BC)	5,1	

Connect to Connection kit (PAC-LV11M)

Indoor unit	V1	V2
Type 1 MSY-EF*VE, MSY-GE*VA, MSY-GH, MSZ-GE*VA, MSZ-SF*VA, MSZ-SF*VE, MSZ-EF*VE, MSZ-FH*VE	6,8	2,4
Type 2 MFZ-KJ*VE	7,4	
Type 3 Connection kit (PAC-LV11M)	3,5	

Indoor unit	V1	V2
Type 1 PMFY-VBM, PLFY-VBM, PEFY-VMS1, PCFY-VKM, PKFY-VHM, PKFY-VKM, PFFY-VLRMM, PFFY-VKM	19,8	2,4
Type 2 PLFY-VCM	9,9	
Type 4 PKFY-VBM	3,5	1,6
Type 5 PEFY-VMA	38,0	
Type 6 PLFY-VLMD, PEFY-VMH, PEFY-VMR, PDFY-VM, PFFY-VLEM, PFFY-VLRM	0	0

C: Múltiplo de la corriente de activación en un tiempo de activación de 0,01 s

Por favor, calcule la variable "C" en función del grado de activación del interruptor.

*Caja de derivación condicional × 2 + SEZ-KD*VA × 5, C=8 (véase el gráfico de la derecha)

$$F2 = 5,1 \times 2/8 + 19,8 \times 5/8$$

$$= 14,9$$

→ Disyuntor de 16 A (corriente de activación = 8 × 16 A a 0,01 s)

*3 La sensibilidad de corriente se calcula mediante la siguiente fórmula.

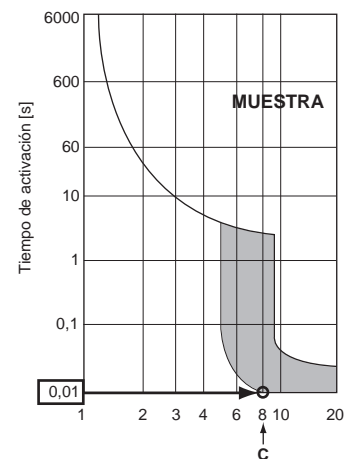
$$G1 = V2 + V3 \times (\text{longitud del cable[km]})$$

G1	Sensibilidad de corriente
30 o menos	30 mA 0,1 s o menos
100 o menos	100 mA 0,1 s o menos

Grosor de cable (mm ² /AWG)	V3
2,1/14	48
3,3/12	56
5,3/10	66

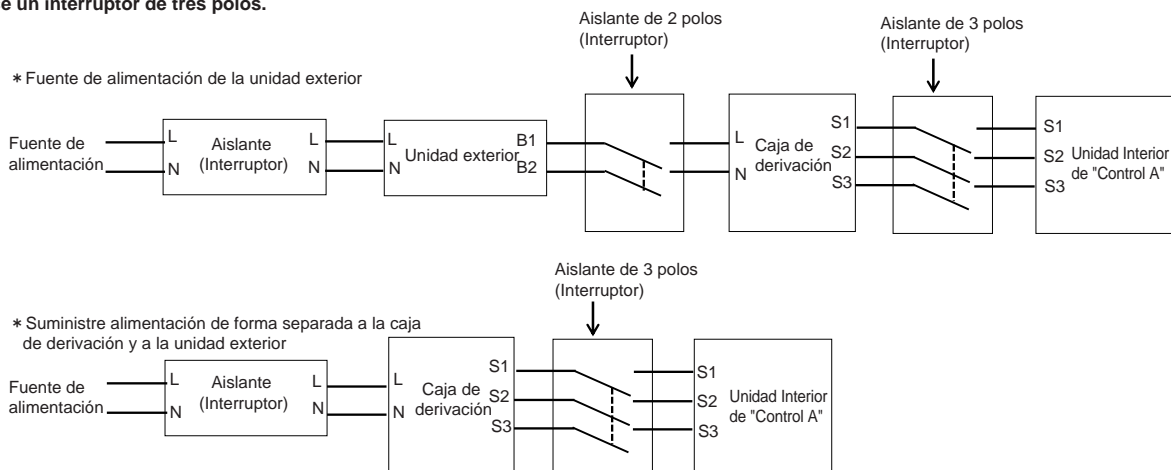
	V2
Unidad interior	2,4
Caja de derivación	3,0

Gráfico de muestra



⚠ Atención:

Si realiza el cableado de control A, el terminal S3 presentará potencial de alto voltaje debido al diseño del circuito eléctrico, que no tendrá aislamiento eléctrico entre la línea de alimentación y la línea de señal de comunicación. Por lo tanto, desconecte la fuente de alimentación principal antes de realizar el mantenimiento. Y nunca toque los terminales S1, S2 ni S3 mientras esté conectada la alimentación. Si es necesario aislar la unidad exterior de la caja de derivación/unidad interior, utilice un interruptor de tres polos.

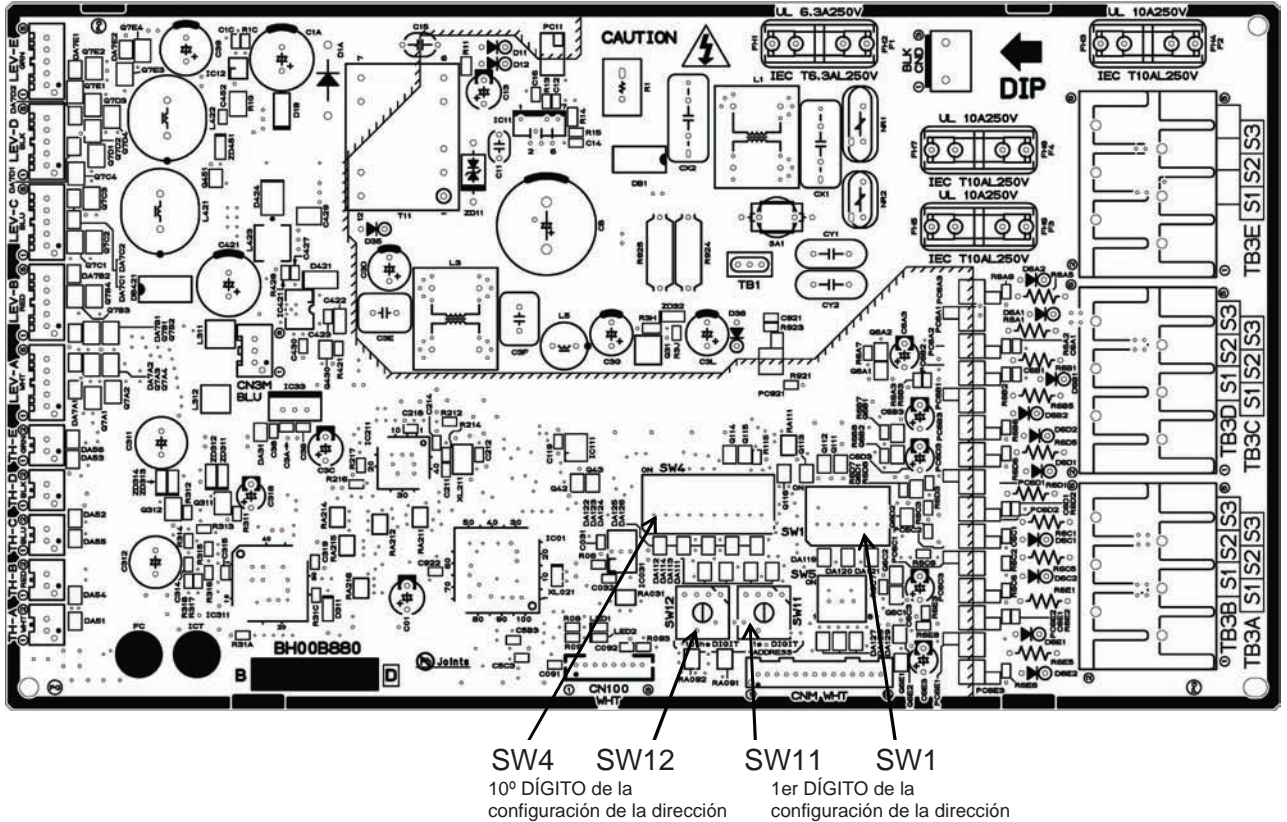


⚠ Cuidado:

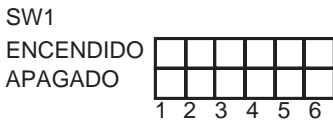
Cuando termine de utilizar el aislante, asegúrese de apagar y volver a encender la alimentación principal para reiniciar el sistema. De lo contrario, es posible que la unidad exterior no pueda detectar la caja o cajas de derivación ni las unidades interiores.

8. Trabajo eléctrico

8.3. Posición del interruptor



Configuración del interruptor DIP (efectivo únicamente antes de encender)



Unidad interior A
 Unidad interior B
 Unidad interior C
 Unidad interior D
 Unidad interior E
 No asignado

Interruptor	APAGADO	ENCENDIDO
SW1-1	No	Sí
SW1-2	No	Sí
SW1-3	No	Sí
SW1-4	No	Sí
SW1-5	No	Sí
SW1-6		

Interruptor de dirección (efectivo únicamente antes de encender)

La configuración de la dirección de la unidad interior varía en los diferentes sistemas. Consulte el manual de instalación de la unidad exterior para obtener información sobre cómo configurar la dirección.

Cada dirección se ajusta configurando de forma combinada el 1er y el 10º dígito.

(Ejemplo)

- Para ajustar la dirección en "3", ajuste el 1er dígito en 3 y el 10º dígito en 0.
- Para ajustar la dirección en "25", ajuste el 1er dígito en 5 y el 10º dígito en 2.

(Ejemplo)

- Al ajustar la dirección de la caja de derivación en "3", se asigna una dirección a cada unidad interior empezando por la unidad A como se muestra a continuación, sin importar si cada unidad interior está conectada.

(Interruptor 1-1 a 5 encendido)

Unidad interior A Dirección 3
 Unidad interior B Dirección 4
 Unidad interior C Dirección 5
 Unidad interior D Dirección 6
 Unidad interior E Dirección 7

- Cuando la dirección se ajusta en "25" y además se conectan 3 unidades interiores (unidad A, unidad C y unidad E). (Interruptor 1-1, 1-3 y 1-5 encendido)

Unidad interior A Dirección 25
 Unidad interior C Dirección 26
 Unidad interior E Dirección 27

9. Prueba de funcionamiento

- Consulte la sección "Prueba de funcionamiento" del manual de instalación de las unidades interiores y de la unidad exterior.
- Cuando la caja de derivación y la unidad exterior tengan fuentes de alimentación independientes, encienda primero la caja de derivación y luego la unidad exterior.

Después de conectar la corriente o cuando se apaga el aparato durante un momento, puede que se oiga un pequeño "clic" en el interior de la caja de derivación. La válvula de expansión electrónica se está abriendo y cerrando. La unidad no está averiada.

- Asegúrese de realizar la prueba de funcionamiento en modo de refrigeración en cada una de las unidades interiores. Compruebe que cada unidad interior funcione correctamente siguiendo el manual de instalación incluido con la unidad.
- If you perform the test run for all indoor units at once, you cannot detect any erroneous connection, if any, of the refrigerant pipes and the indoor/outdoor unit connecting wires.
- Para detectar un posible cableado incorrecto, realice la prueba de funcionamiento de forma individual en cada una de las unidades interiores.

⚠ Precaución:

- **Utilice el mando a distancia para accionar la unidad interior.**
- **Los síntomas siguientes no son indicativos de un mal funcionamiento.**

Síntoma	Causa	Indicador LED de la unidad interior*
La unidad interior no funciona cuando se ajusta en modo de refrigeración (calefacción)	El funcionamiento en modo de refrigeración (calefacción) no está disponible cuando hay otra unidad interior funcionando en modo de calefacción (refrigeración).	En espera (para sistema múltiple)
El ventilador de la unidad interior se para durante el funcionamiento en modo de calefacción	El ventilador se detiene durante la descongelación.	-
	El ventilador se detiene cuando el modo de recogida de refrigerante** está activado.	En espera (para sistema múltiple)

* Consulte el manual de instrucciones de las unidades interiores para obtener más información.

** Este modo se activa durante aproximadamente 1 minuto para evitar un suministro insuficiente de refrigerante durante el funcionamiento en modo de calefacción, cuando el refrigerante está almacenado en una unidad interior que se ha apagado o está en termo-off.

Indice

1. Misure di sicurezza	62	5. Tubazione per refrigerante	66
2. Scelta di un luogo adatto all'installazione	62	6. Montaggio della scatola delle derivazioni	67
3. Controllo degli accessori in dotazione	63	7. Installazione della tubazione del refrigerante	67
4. Dimensioni della scatola delle derivazioni e spazio necessario per l'assistenza	63	8. Electrical work	69
		9. Esecuzione dei test	73

Questo manuale di installazione si riferisce unicamente all'installazione della scatola delle derivazioni. Per l'installazione delle unità interne e di quelle esterne, fare riferimento al manuale di installazione in dotazione con ogni unità.

1. Misure di sicurezza

- ▶ Leggere attentamente la sezione "Misure di sicurezza" prima di far funzionare l'unità.
- ▶ Prima di collegare l'apparecchiatura alla rete di alimentazione, informare l'ente energia o richiederne il consenso.
- ▶ I modelli della serie PAC-MK•BC sono progettati come attrezzature professionali.
- ▶ Quando l'elettricità viene ricevuta dall'unità esterna, gli standard applicabili per quest'ultima potrebbero non essere soddisfatti a seconda dell'unità interna utilizzata.

⚠ Avvertenza:

Descrive le precauzioni da prendere per evitare il rischio di lesioni, anche mortali, per l'utente.

⚠ Cautela:

Descrive le precauzioni da prendere per evitare il danneggiamento dell'unità.

⚠ Avvertenza:

- L'unità non deve essere installata dall'utente.
- Richiedere ad un rivenditore o ad un tecnico autorizzato di provvedere all'installazione.
- Per eseguire l'installazione, seguire le istruzioni contenute nel Manuale d'installazione e utilizzare gli strumenti e i componenti dei tubi appositamente previsti per il tipo di refrigerante indicato nel manuale d'installazione dell'unità esterna.
- L'unità deve essere montata conformemente alle istruzioni, riducendo al minimo il rischio di possibili danni causati da terremoti, tifoni o forti raffiche di vento. Se installata in maniera scorretta, può cadere e provocare danni e lesioni.
- Installare l'unità in maniera sicura su una struttura in grado di sostenerne il peso.
- In presenza di perdite di refrigerante venisse installato in un ambiente piccolo, è consigliabile prendere i dovuti accorgimenti per evitare che nella stanza, nel caso di una perdita di refrigerante, si formi una concentrazione di refrigerante superiore ai limiti di sicurezza. Eventuali perdite di refrigerante o il superamento dei limiti di concentrazione possono causare situazioni di pericolo imputabili alla mancanza di ossigeno nella stanza.
- In presenza di perdite di refrigerante durante il funzionamento, aerare la stanza. A contatto con una fiamma, il refrigerante può rilasciare gas tossici.
- Tutti gli interventi elettrici devono essere eseguiti da un tecnico qualificato, rispettando le normative locali e le istruzioni riportate nel presente manuale.
- Utilizzare esclusivamente i cablaggi specificati.
- Il pannello di copertura della morsettiera dell'unità deve essere fissato saldamente.
- Utilizzare soltanto gli accessori autorizzati dalla Mitsubishi Electric e richiedere a un rivenditore o a un tecnico autorizzato di provvedere all'installazione.
- L'utente non dovrebbe mai tentare di riparare l'unità o spostarla in un'altra sede.
- Terminata l'installazione, accertarsi che non vi siano perdite di refrigerante. Eventuali perdite di refrigerante nella stanza a contatto con una fiamma possono causare la formazione di gas tossici.
- Collegare i cavi di alimentazione e i fili di collegamento di unità interne, unità esterne e scatole di derivazione direttamente alle unità (senza collegamenti intermedi).
I collegamenti intermedi possono causare errori di comunicazione nel caso in cui l'acqua s'infiltri nei cavi e nei fili provocando di conseguenza un insufficiente isolamento a massa o un contatto elettrico insufficiente nel punto di collegamento intermedio.
(Se è necessario un collegamento intermedio, accertarsi di adottare le misure necessarie per evitare che l'acqua s'infiltri nei cavi e nei fili.)

2. Scelta di un luogo adatto all'installazione

* La scatola delle derivazioni è destinata esclusivamente all'uso interno.

- Accertarsi che la scatola delle derivazioni sia installata in un luogo in cui sia agevole eseguire gli interventi di assistenza e di manutenzione (accertarsi che sia disponibile un'apertura per la manutenzione o spazio per l'assistenza).

- Non installare accanto alle camere da letto. Il rumore del refrigerante che passa attraverso i tubi potrebbe a volte essere percepibile.
- Accertarsi che l'installazione avvenga in un punto in cui il rumore derivante dal funzionamento non rappresenti un problema.
Dopo l'accensione o una momentanea interruzione del funzionamento, è possibile che si senta un piccolo scatto all'interno della scatola delle derivazioni. Si tratta del cassetto di espansione elettronico che si apre e si chiude. Non si tratta di un guasto all'unità.

- Determinare prima l'instradamento della tubazione del refrigerante, della tubazione di drenaggio e del cablaggio elettrico.

Terminata l'installazione, spiegare le "Misure di sicurezza", l'uso e la manutenzione dell'unità al cliente conformemente alle informazioni riportate nel manuale d'uso ed eseguire il ciclo di prova per accertare che l'impianto funzioni normalmente. Consegnare il Manuale d'uso ed il Manuale di installazione al cliente, che li dovrà conservare e, in futuro, consegnarli ad eventuali nuovi utenti.

⚡ : Indica la necessità di collegare un componente a massa.

⚠ Avvertenza:

Leggere attentamente le etichette attaccate all'unità principale.

⚠ Attenzione:

- Accertarsi che i tubi del refrigerante siano ben isolati per impedire la formazione di condensa.
Un isolamento incompleto può causare condensa sulla superficie di tubi, umidità nel soffitto, nel pavimento e in altri siti importanti.
- Non utilizzare l'unità in un ambiente insolito. Se il condizionatore viene installato in zone esposte a vapore, olio volatile (compreso l'olio per macchine), gas sulfureo, in zone a elevato contenuto salino, tra cui le località marittime, le sue prestazioni potrebbero essere notevolmente pregiudicate e i componenti interni potrebbero essere danneggiati.
- Non installare l'unità dove si possono verificare perdite, produzione, flusso o accumulo di gas combustibili. Nel caso di accumulo di gas attorno all'unità, si possono verificare incendi ed esplosioni.
- Qualora l'unità venisse installata in un ospedale o in uffici aperti al pubblico, considerare che essa potrà essere fonte di rumorosità ed interferenze con le apparecchiature elettroniche. Gli inverter, le applicazioni domestiche, le attrezzature mediche ad alta frequenza e le apparecchiature di radiocomunicazione possono provocare danni o rotture del condizionatore. Il condizionatore può anche influire sul funzionamento delle attrezzature mediche, disturbandone le prestazioni e le apparecchiature di comunicazione, pregiudicando la qualità di visualizzazione sullo schermo.
- L'isolamento termico del tubo del refrigerante è necessario per impedire la formazione di condensa. Se il tubo del refrigerante non è adeguatamente isolato, si formerà della condensa.
- Per prevenire la formazione di condensa, isolare termicamente i tubi. Un'installazione scorretta del tubo di scarico può causare perdite di acqua e danni al soffitto, al pavimento, ai mobili e ad altri oggetti.
- Non pulire il condizionatore con acqua. Potrebbero verificarsi scosse elettriche.
- Con una chiave torsiometrica, stringere tutti i dadi a cartella alla coppia specificata. Un dado a cartella eccessivamente serrato può rompersi dopo un lungo periodo.
- Accertarsi di aver installato gli interruttori di circuito. In caso contrario, esiste il rischio di scossa elettrica.
- Per le linee di alimentazione, utilizzare cavi standard di capacità sufficiente. In caso contrario, esiste il rischio di cortocircuito, surriscaldamento o incendio.
- Durante l'installazione delle linee di alimentazione, non mettere i cavi sotto tensione. In presenza di connessioni lente, i cavi possono fuoriuscire e rompersi, causando surriscaldamento o incendio.
- Non collegare i cavi di messa a terra alle linee del gas o dell'acqua, ai parafulmini o alle linee di messa a terra telefoniche. Se non messa a terra correttamente, l'unità può causare scosse elettriche.

- Accertarsi che il sito di installazione sia tale che la lunghezza della tubazione del refrigerante rientri nei limiti specificati.

• Non installare in luoghi i cui sia presente calore o umidità per lunghi periodi di tempo.

- Per facilitare la manutenzione, installare la scatola delle derivazioni sopra il soffitto di corridoi, bagni, ecc. in punti non frequentati regolarmente (Ad esempio al centro della stanza).

* Accertarsi che l'unità sia installata in un luogo idoneo a sostenerne il peso.

⚠ Avvertenza:

Accertarsi che l'unità sia installata saldamente in un luogo idoneo a sostenerne il peso.

Se l'installazione avviene in un luogo non sufficientemente resistente, l'unità potrebbe cadere, con conseguente rischio di lesioni.

3. Controllo degli accessori in dotazione

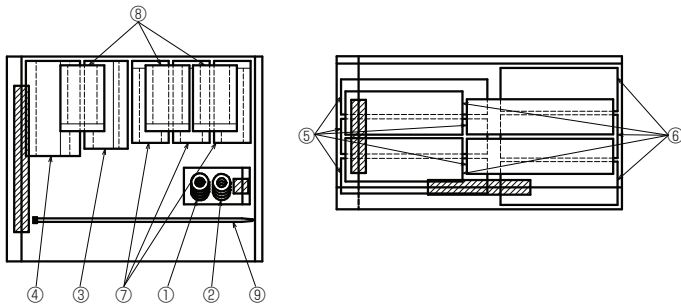


Fig. 3-1

3.1. Controllo degli accessori e delle parti della scatola delle derivazioni

	Nome dell'accessorio	Q.tà		
		PAC-MK30BC	PAC-MK50BC	
①	Rondella (con isolamento)	4	4	
②	Rondella	4	4	
③	Protezione tubo (Liquidi)	1	1	A unità esterna
④	Protezione tubo (Gas)	1	1	A unità esterna
⑤	Protezione tubo (Liquidi)	3	5	All'unità interna
⑥	Protezione tubo (Gas)	3	5	All'unità interna
⑦	Copertura giunto (Liquidi)	1	3	
⑧	Copertura giunto (Gas)	1	3	
⑨	Fascetta	16	24	

4. Dimensioni della scatola delle derivazioni e spazio necessario per l'assistenza

Giunti diversi (per forma) opzionali.

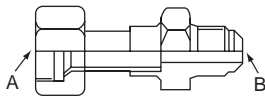


Fig. 4-1

Nome del modello	Diametro dei tubi collegati	Diametro A	Diametro B
	mm		
MAC-A454JP	ø9,52 → ø12,7	ø9,52	ø12,7
MAC-A455JP	ø12,7 → ø9,52	ø12,7	ø9,52
MAC-A456JP	ø12,7 → ø15,88	ø12,7	ø15,88
PAC-493PI	ø6,35 → ø9,52	ø6,35	ø9,52
PAC-SG76RJ-E	ø9,52 → ø15,88	ø9,52	ø15,88

* Ad un sistema è possibile collegare due o più unità interne.

* A una unità esterna è possibile collegare 1-2 scatole delle derivazioni.

* Bullone di sospensione W3/8 (M10)

* Raccordo a cartella tubo refrigerante

* Le dimensioni dei raccordi della tubazione sono differenti in base al tipo e alla capacità delle unità interne. Far corrispondere le dimensioni dei raccordi della tubazione alle rispettive unità interne e scatole delle derivazioni. Se le dimensioni dei raccordi della tubazione della scatola delle derivazioni non corrispondono alle dimensioni dei raccordi delle tubazioni dell'unità interna, usare giunti di diametro differente opzionali (con forma diversa) sul lato della scatola delle derivazioni. (Collegare il giunto speciale direttamente sul lato della scatola delle derivazioni.)

■ PAC-MK50BC (Tipo a 5 derivazioni)

(mm)

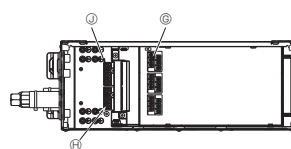
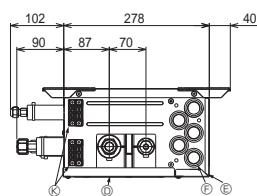
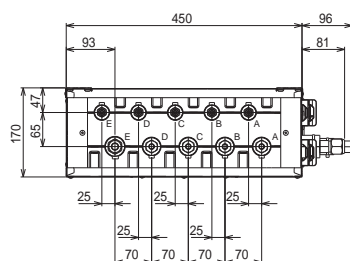
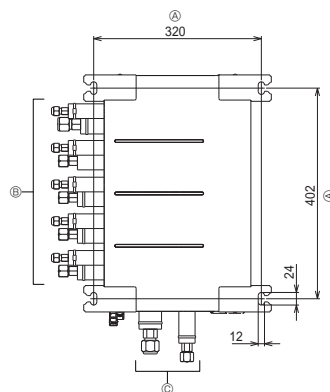


Fig. 4-2

- Ⓐ Distanza tra i bulloni di sospensione
- Ⓑ All'unità interna
- Ⓒ All'unità esterna
- Ⓓ Pannello di servizio (per LEV, THERMISTOR)
- Ⓔ Protezione elettrica
- Ⓕ Boccola di gomma
- Ⓖ Morsettiera (all'unità interna sulla scheda di controllo)
- Ⓗ Morsettiera (all'unità esterna)
- Ⓙ Morsettiera (per il cavo di comunicazione)
- Ⓚ Serracavo

* Accertarsi che la scatola delle derivazioni sia installata come mostrato sullo schema seguente.

■ PAC-MK50BC (Fig.4-2)

Bullone di sospensione W3/8 (M10)

Raccordo a cartella tubo refrigerante

mm

	A	B	C	D	E	A unità esterna
Tubo del liquido	ø6,35	ø6,35	ø6,35	ø6,35	ø6,35	ø9,52
Tubo del gas	ø9,52	ø9,52	ø9,52	ø9,52	ø12,7	ø15,88

Formula di conversione

1/4 F	ø6,35
3/8 F	ø9,52
1/2 F	ø12,7
5/8 F	ø15,88
3/4 F	ø19,05

4. Dimensioni della scatola delle derivazioni e spazio necessario per l'assistenza

■ PAC-MK30BC (Tipo a 3 derivazioni)

(mm)

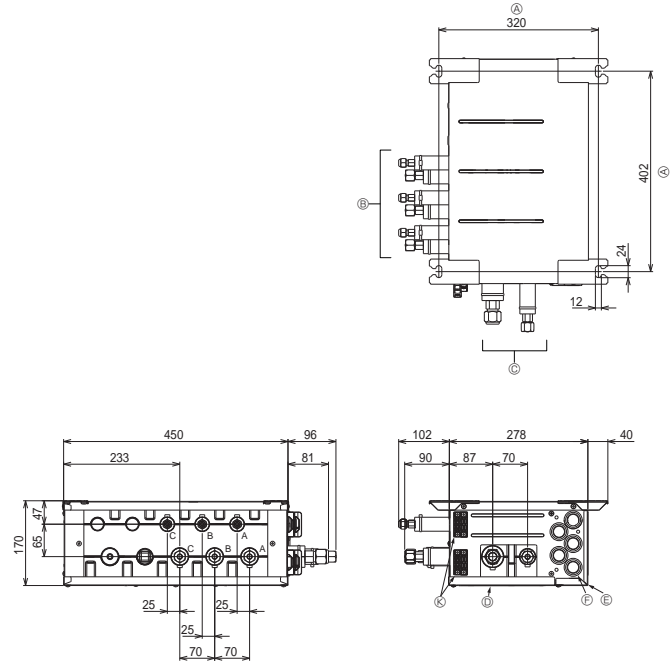


Fig. 4-3

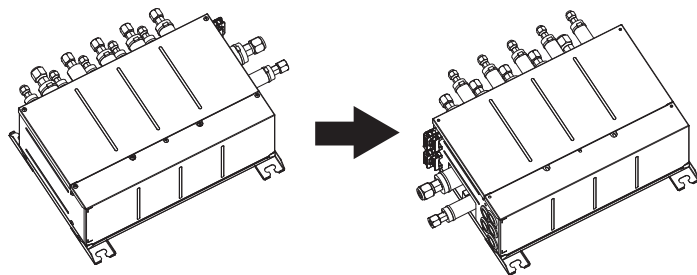


Fig. 4-4

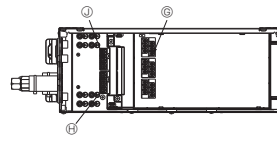
■ PAC-MK30BC (Fig.4-3)

Bullone di sospensione: W3/8 (M10)

Raccordo a cartella tubo refrigerante

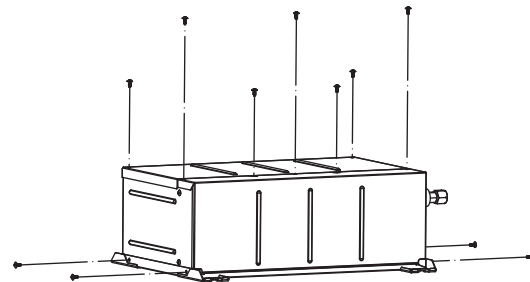
mm

	A	B	C	A unità esterna
Tubo del liquido	ø6,35	ø6,35	ø6,35	ø9,52
Tubo del gas	ø9,52	ø9,52	ø9,52	ø15,88



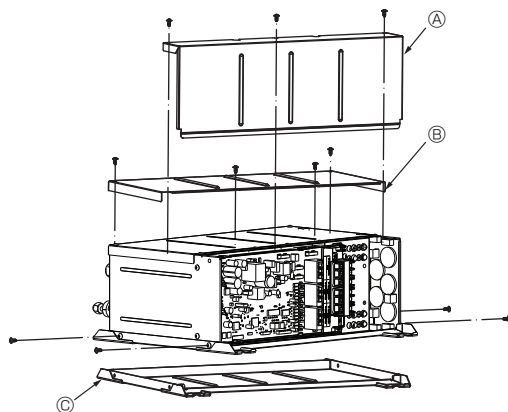
4.1. La direzione della tubazione può essere cambiata. (Fig.4-4). [Procedure operative] (Fig. 4-5)

① Rimuovere le viti in ogni parte.



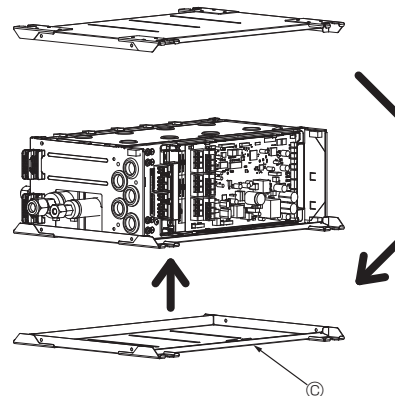
② Rimuovere la protezione elettrica, il pannello di servizio e il pannello superiore.

- Ⓐ Protezione elettrica
- Ⓑ Pannello di servizio
- Ⓒ Pannello superiore



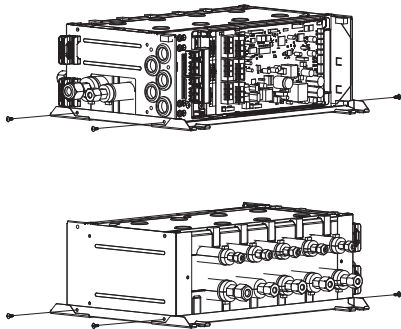
③ Installare il pannello superiore sulla superficie opposta.

- Ⓒ Pannello superiore



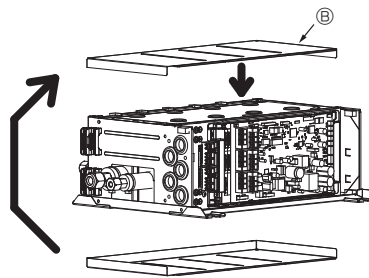
4. Dimensioni della scatola delle derivazioni e spazio necessario per l'assistenza

④ Fissare le viti in ogni parte.

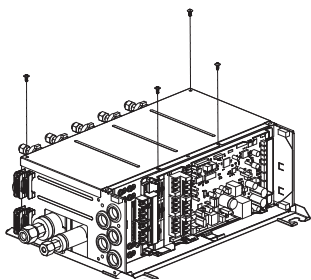


⑤ Installare il pannello di servizio sulla superficie opposta.

Ⓑ Pannello di servizio

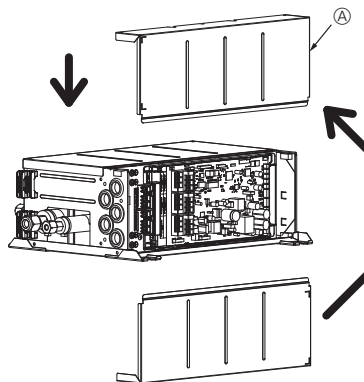


⑥ Fissare le viti.



⑦ Installare la protezione elettrica sulla superficie opposta.

Ⓐ Protezione elettrica



⑧ Fissare le viti.

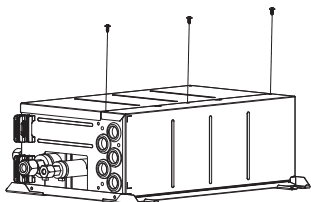


Fig. 4-5

4. Dimensioni della scatola delle derivazioni e spazio necessario per l'assistenza

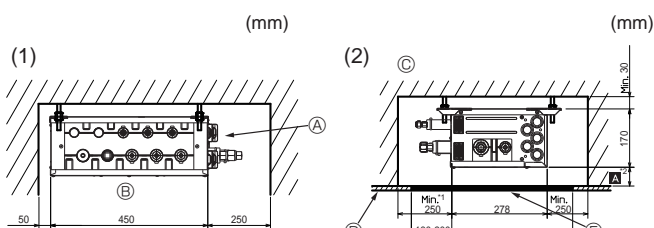


Fig. 4-6

Fig. 4-7

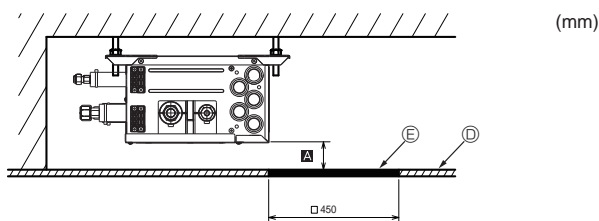


Fig. 4-8

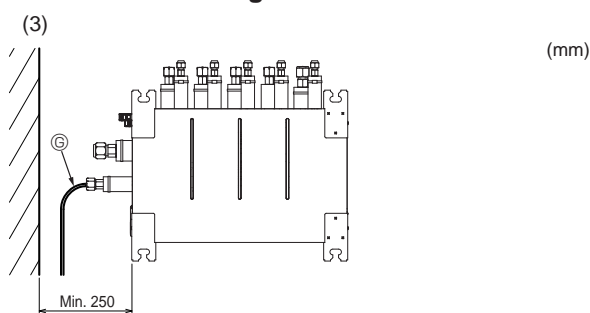


Fig. 4-9

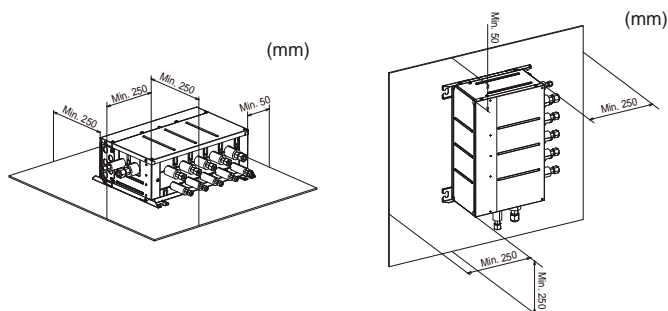


Fig. 4-10

Fig. 4-11

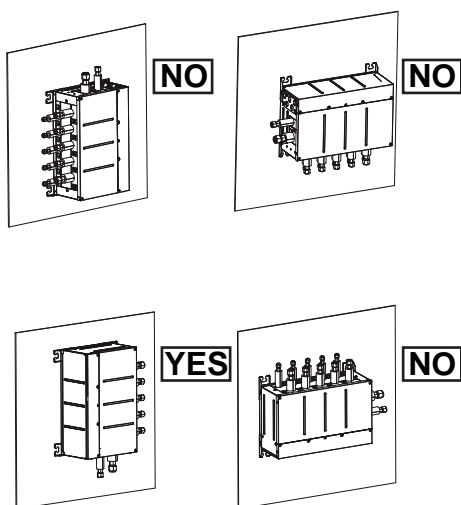


Fig. 4-12

4.2. Spazio richiesto per Installazione e assistenza

I. Spazi per l'installazione con i bulloni di sospensione.

- (1) Vista frontale (Fig. 4-6)
 - Ⓐ Scatola delle derivazioni
 - Ⓑ Sul lato della tubazione
- (2) Vista laterale (Fig. 4-7, Fig. 4-8)
 - Ⓒ Per installazioni interne
 - Ⓓ Pannello da soffitto
 - Ⓔ Foro per la manutenzione

*1: Per le curve a 90° delle tubazioni del refrigerante, è necessario un minimo di 350 mm.

*2: **A** corrisponde a "200 mm minimo" <raccomandazione>.

Nel caso di misure inferiori ai 200 mm (ad esempio se **A** corrisponde a 100 mm), la sostituzione della Scatola di derivazione a partire da un foro per la manutenzione diventa difficile (Solo la sostituzione della scheda di circuito stampato (PCB), delle valvole di espansione lineare, dei sensori e della coppa di scarico è possibile).

*3: **B** corrisponde a "□ 600 mm" <raccomandazione>.

Se il valore è "□ 450", preparare un foro per la manutenzione sul lato della scheda di circuito stampato (come indicato nella Fig. 4-8), e la distanza **A** deve corrispondere a "300 mm minimo".

Se il valore è inferiore a 300 mm (ad esempio **A** corrisponde a 100 mm), la sostituzione della Scatola di derivazione, delle valvole di espansione lineare, dei sensori e della coppa di scarico da un foro per la manutenzione diventa difficile (solo la sostituzione di una scheda di circuito stampato è possibile).

- (3) Vista superiore (Fig. 4-9)
 - Ⓒ Tubazione per refrigerante

II. Spazi per l'installazione a pavimento. (Fig. 4-10)

III. Spazi per l'installazione a parete. (Fig. 4-11)

Nell'installazione a parete, la direzione di installazione risulta limitata. (Fig. 4-12)

Quando si installa l'unità a parete, installare la tubazione collegata all'unità esterna rivolgendola verso il basso. Non sono possibili altri modi di montaggio.

5. Tubazione per refrigerante

* Seguire sempre le specifiche indicate nel manuale di installazione dell'unità esterna. Il superamento di tali requisiti può causare una riduzione nelle prestazioni dell'apparecchiatura e funzionamento errato.

6. Montaggio della scatola delle derivazioni

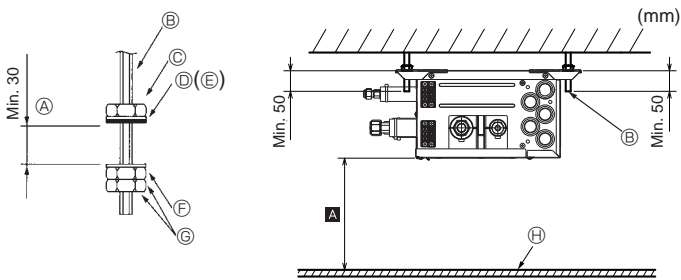


Fig. 6-1

- (1) Montare i bulloni di sospensione (non in dotazione) alla distanza indicata. (Fig. 4-2, 4-3)
- (2) Fissare rondelle e dadi (①, ②, non in dotazione) sui bulloni di sospensione. (Fig. 6-1)
- (3) Appendere l'unità ai bulloni di sospensione.
- (4) Serrare completamente i dadi (controllare l'altezza del soffitto).
- (5) Usare una livella per regolare in bolla la scatola delle derivazioni.
 - Ⓐ Quando l'unità è sospesa e i dadi sono serrati
 - Ⓑ Bullone di sospensione
 - Ⓒ Dadi
 - Ⓓ Rondella (con spessore) ①
 - Ⓔ Accertarsi che lo spessore sia rivolto verso il basso
 - Ⓕ Rondella (senza spessore) ②
 - Ⓖ Dado (non in dotazione)
 - Ⓗ Pannello da soffitto.

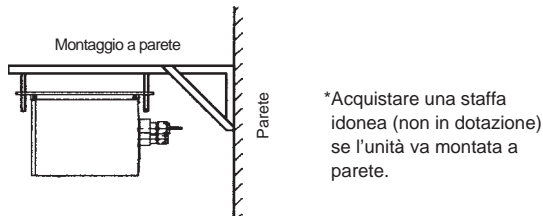
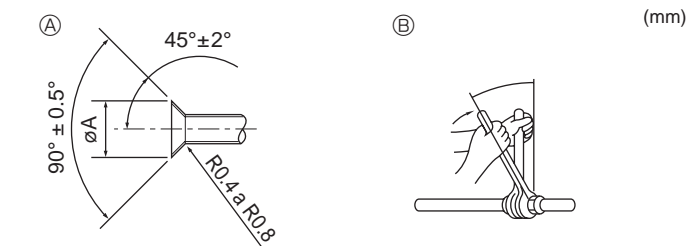


Fig. 6-2

7. Installazione della tubazione del refrigerante



- Ⓐ Dimensioni di taglio per raccordo a cartella
 Ⓑ Coppia di serraggio del dado a cartella

Fig. 7-1

- Ⓐ Dimensioni di taglio per raccordo a cartella

Tabella 1

D.E. del tubo di rame (mm)	Dimensioni cartella dimensioni øA (mm)
ø6,35	8,7-9,1
ø9,52	12,8-13,2
ø12,7	16,2-16,6
ø15,88	19,3-19,7

- Ⓑ Coppia di serraggio del dado a cartella

Tabella 2

D,E, del tubo di rame (mm)	O,D, del dado a cartella (mm)	Coppia di serraggio (N•m)
ø6,35	17	14-18
ø6,35	22	34-42
ø9,52	22	34-42
ø12,7	26	49-61
ø12,7	29	68-82
ø15,88	29	68-82
ø15,88	36	100-120

- ▶ Collegare i tubi dei liquidi e del gas di ogni unità interna ai numeri di raccordo terminale corrispondenti, così come indicato nella sezione dei giunti a cartella dell'unità interna di ogni Scatola delle Derivazioni. Se li si collega ai numeri errati, il funzionamento non sarà corretto.
- ▶ Quando si collegano le unità interne, accertarsi di collegare i tubi del refrigerante e i cavi di raccordo ai fori indicati con le lettere corrispondenti. (Es. A, B, C, D, E)

Nota:

Accertarsi di segnare tutte le tubazioni per il refrigerante locali (tubi per liquidi, gas, ecc.) per ogni unità interna, indicando chiaramente a quale stanza appartengono. (Es. A, B, C, D, E)

- ▶ Elencare i nomi dei modelli delle unità interne sulla targhetta sulla scatola dei comandi della Scatola delle Derivazioni (a scopo di identificazione).

- Eseguire un adeguato trattamento isolante e anti-condensa per evitare gocciolamenti dell'acqua dalle tubazioni del refrigerante (tubo del liquido/tubo del gas).
- Rinforzare l'isolamento a seconda dell'ambiente in cui la tubazione del refrigerante viene installata. In caso contrario, sulla superficie del materiale isolante potrebbe formarsi della condensa (temperatura termoresistente del materiale isolante: 120 °C, spessore: 15 mm o più).
- * Quando la tubazione del refrigerante viene utilizzata in luoghi caratterizzati da elevata temperatura e umidità, come in soffitta, potrebbe essere richiesta l'aggiunta di un ulteriore isolamento.
- Per isolare la tubazione del refrigerante, applicare polietilene espanso resistente al calore tra l'unità interna e il materiale isolante, nonché sulla rete tra il materiale isolante per riempire tutti gli spazi vuoti. (La formazione di condensa sulla tubazione può comportare la creazione di fenomeni di condensa nella stanza o ustioni in caso di contatto con la tubazione stessa.)
- ▶ Quando si usa una tubazione per refrigerante disponibile in commercio, accertarsi che le tubazioni di liquidi e gas siano rivestite di materiali termoisolanti disponibili in commercio (materiali isolanti con spessore minimo di 12 mm e in grado di sopportare temperature superiori ai 100 °C).
- ▶ Fare riferimento al manuale di installazione dell'unità esterna per la creazione del vuoto e per l'apertura o la chiusura delle valvole.
 - (1) Rimuovere i dadi a cartella e i tappi dalla scatola delle derivazioni.
 - (2) Svasare le estremità della tubazione dei liquidi e del gas e applicare olio per refrigerazione (non in dotazione) sulla sede svasata. Non applicare olio alle parte filettate.
 - (3) Collegare immediatamente la tubazione per il refrigerante. Serrare sempre i dadi a cartella alla coppia indicata nella tabella seguente usando una chiave torsionometrica e una chiave doppia.
 - (4) Premere i copritubo ③ e ⑤ sulla tubazione dei liquidi sull'unità e avvolgere per mantenere in posizione. (Fig. 7-3)
 - (5) Premere i copritubo ④ e ⑥ sulla tubazione del gas sull'unità e avvolgere per mantenere in posizione. (Fig. 7-3)
 - (6) Applicare le fascette in dotazione ⑨ a 10 - 20 mm da ogni estremità dei copritubo (③④⑤⑥).
 - (7) Se l'unità interna non è collegata, inserire i copritubo in dotazione (con i cappucci, ⑦ e ⑧) nei raccordi della tubazione del refrigerante della scatola delle derivazioni, per impedire il gocciolamento di condensa dai tubi. (Fig. 7-4)
 - (8) Bloccare in posizione i copritubo (⑦ ⑧) con le fascette in dotazione ⑨.

7. Installazione della tubazione del refrigerante

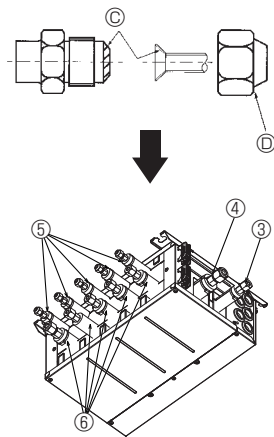


Fig. 7-2

⚠ Attenzione:

Serrare il dado a cartella con una chiave torsionometrica con il metodo indicato. Un serraggio eccessivo può causare la rottura del dado a cartella e causerà perdita di refrigerante nel tempo.

- ⓐ Applicare olio per refrigerazione sull'intera superficie (Fig. 7-2) della sede svasata.
- ⓑ Fondamentalmente, usare dadi a cartella incorporati (i dadi a cartella disponibili in commercio si possono rompere).

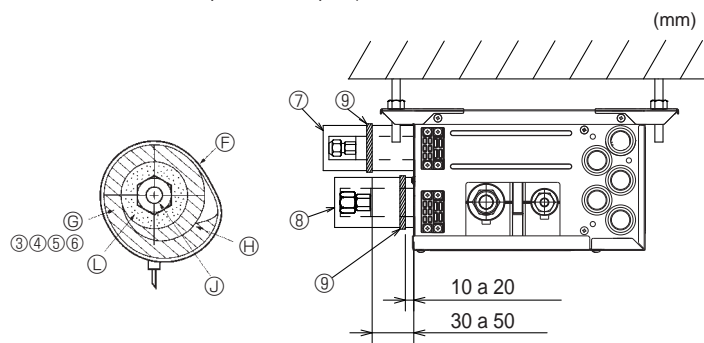


Fig. 7-3

Nota:

Per alcune unità interne è necessario disporre di un particolare dado a cartella (in opzione o fornito con l'unità interna). Per i dettagli, fare riferimento al manuale d'installazione dell'unità esterna e dell'unità interna.

- ⓑ Fascetta ⑨
- ⓐ Copritubo ③④⑤⑥
- ⓑ Serrare
- ⓐ Tubazione per refrigerante
- ⓐ Isolamento termico per tubazione per refrigerante

► Usare le seguenti procedure per quei componenti della scatola delle derivazioni non collegati ad un'unità interna. (Fig. 7-4)

- (1) Per impedire perdite di refrigerante, assicurarsi che i dadi a cartella siano serrati alle coppie* specificate nella Tabella 3.
 - * Possono prodursi perdite di refrigerante anche quando i dadi a cartella vengono serrati oltre le coppie specificate.
- (2) Per impedire la formazione di condensa, installare i copritubo ⑦ ⑧ e fissarli con le fascette in dotazione ⑨.

Tabella 3

Diametri delle aperture della scatola delle derivazioni per il collegamento delle unità interne (mm)	Coppia di serraggio (N•m)
∅6,35	13 ± 2
∅9,52	30 ± 2
∅12,7	50 ± 2

► Carica di refrigerante:

Fare riferimento al manuale d'installazione dell'unità esterna. Usare solo refrigerante R410A (l'uso di altri refrigeranti può comportare problemi).

⚠ Attenzione:

Per evitare sollecitazioni eccessive alla scatola delle derivazioni, sostenere la tubazione con uno o più supporti posizionati a 1,5 m o meno dalla scatola delle derivazioni. Vedere la fig. 7-5 come esempio.

- ⓐ Tubazione del refrigerante
- ⓐ Isolamento termico per la tubazione del refrigerante

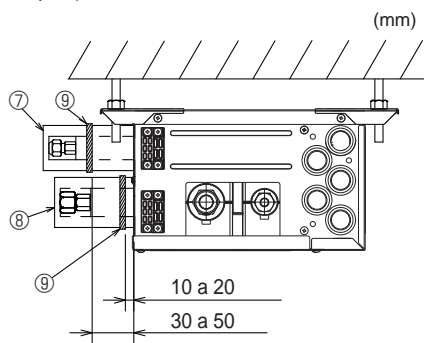


Fig. 7-4

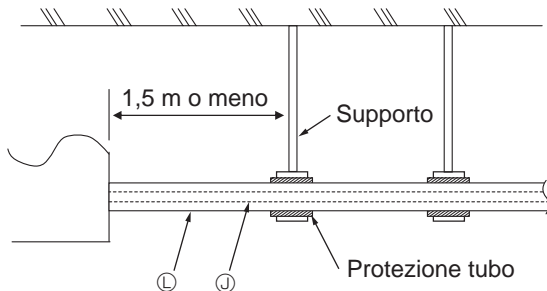


Fig. 7-5

8. Collegamenti elettrici

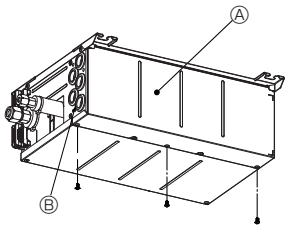


Fig. 8-1

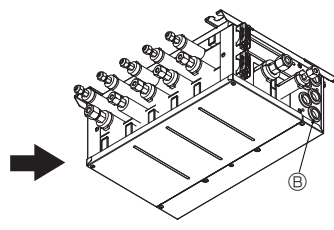


Fig. 8-2

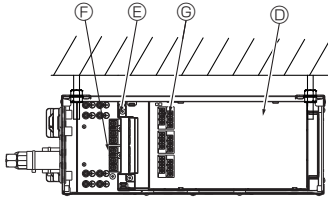


Fig. 8-3

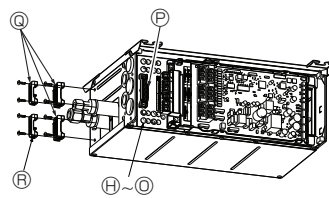


Fig. 8-4

- (A) Protezione elettrica
- (B) Boccola di gomma
- (C) Cablaggio
- (D) Scheda del controller
- (E) Morsetteria: TB5
- (F) Morsetteria: TB2B <A unità esterna>
- (G) Morsetteria: TB3A-TB3E <A unità interna>
- (H) Terminale di terra <A unità esterna>

- (Q) Terminale di terra <Per TB3A>
- (K) Terminale di terra <Per TB3B>
- (L) Terminale di terra <Per TB3D>
- (M) Terminale di terra <Per TB3C>
- (N) Terminale di terra <Per TB3E>
- (O) Terminale di terra <Ad altra scatola delle derivazioni>
- (P) Serracavo <Per TB2B>
- (G) Serracavo <Per TB3A-TB3E>
- (B) Serracavo <Per TB5>

► Precauzioni per gli interventi elettrici.

⚠ Avvertenza:

- Usare sempre circuiti dedicati con interruttori e alla tensione nominale. I circuiti elettrici con capacità insufficiente e un intervento tecnico inadeguato durante l'installazione possono comportare scosse elettriche o incendi.

⚠ Attenzione:

- Accertarsi di installare un collegamento a massa. Non collegare a massa l'unità a un tubo ausiliario, uno scaricatore o una massa telefonica. Una collegamento a massa incompleto può causare scosse elettriche. Una sovratensione derivante da lampi o altro può danneggiare il condizionatore d'aria.
- Prima di accendere la scatola delle derivazioni, accertarsi di impostare gli interruttori.
- Per attivare l'alimentazione, accendere prima la scatola delle derivazioni e poi l'unità esterna. (Nel caso in cui gli alimentatori per la scatola delle derivazioni e l'unità esterna siano separati)
- Il cablaggio che collega la scatola delle derivazioni e l'unità esterna, e la scatola delle derivazioni e le unità interne, funziona come cavo di alimentazione e di segnale. Collegare questo cablaggio sulla base dei numeri della morsetteria, per assicurare la corretta polarità.
- Accertarsi che a ogni unità interna sia collegata al cablaggio elettrico e alla tubazione del refrigerante corretti. Un cablaggio errato interferirà con il corretto funzionamento dell'unità.

► Collegare i tubi del refrigerante e i cavi di raccordo ai relativi fori indicati con le lettere corrispondenti (Es. A, B, C, D, E) su questa unità.

- Per prima cosa, collegare il cavo di alimentazione dall'unità esterna.
- Fissare sempre ogni filo di massa separatamente con una vite da massa.
- Per impedire che il cablaggio installato nel soffitto sia rosicchiato da ratti, ecc., inserirlo sempre all'interno di appositi tubi protettivi.
 1. Rimuovere le viti nel coperchio. (Fig. 8-1)
 2. Passare il cablaggio nella scatola delle derivazioni e fissare ogni filo in posizione con un morsetto idoneo.
 3. Collegare saldamente ogni cavo all'idonea morsetteria. (Fig. 8-8)
 4. Impostare l'interruttore DIP (Vedere a 8.3)
 5. Riposizionare la protezione elettrica.

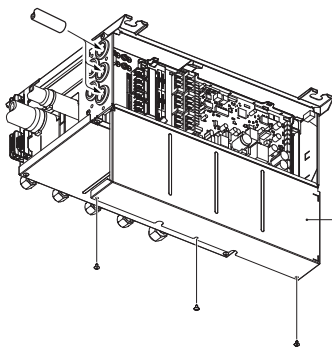


Fig. 8-5

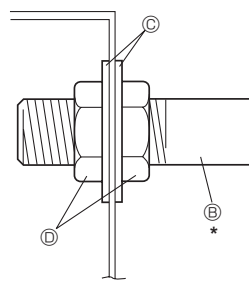


Fig. 8-6

8.1. Quando si usa il tubo protettivo (Fig. 8-5,6,7)

Riposizionare il coperchio orizzontale quando il tubo protettivo è in posizione.

- (A) Coperchio
- (B) Tubo protettivo
- (C) Rondella
- (D) Dado

È possibile usare un tubo protettivo di un diam. est. max di 1".

- (1) Quando si usa un tubo protettivo con diametro esterno di 1", rimuovere la boccia isolante e fissare alla scatola delle derivazioni. Rimuovere il coperchio orizzontale fissandolo alla scatola delle derivazioni.
- (2) Quando si usa un tubo protettivo con diam. est. non superiore a 3/4", intaccare la boccia isolante e inserire il tubo protettivo per circa 100 mm nella scatola delle derivazioni.

* Riposizionare il coperchio orizzontale quando il tubo protettivo è in posizione.

⚠ Attenzione:

Per evitare sollecitazioni eccessive alla scatola delle derivazioni, sostenere il condotto di cablaggio (B) con uno o più supporti posizionati a 1,5 m o meno dalla scatola delle derivazioni. Vedere la fig. 8-7 come esempio.

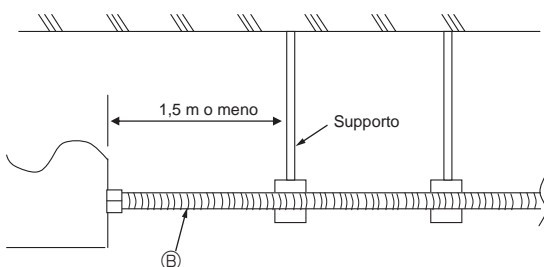


Fig. 8-7

8. Collegamenti elettrici

- Fornire l'alimentazione alla scatola delle derivazioni e all'unità esterna in modo separato.

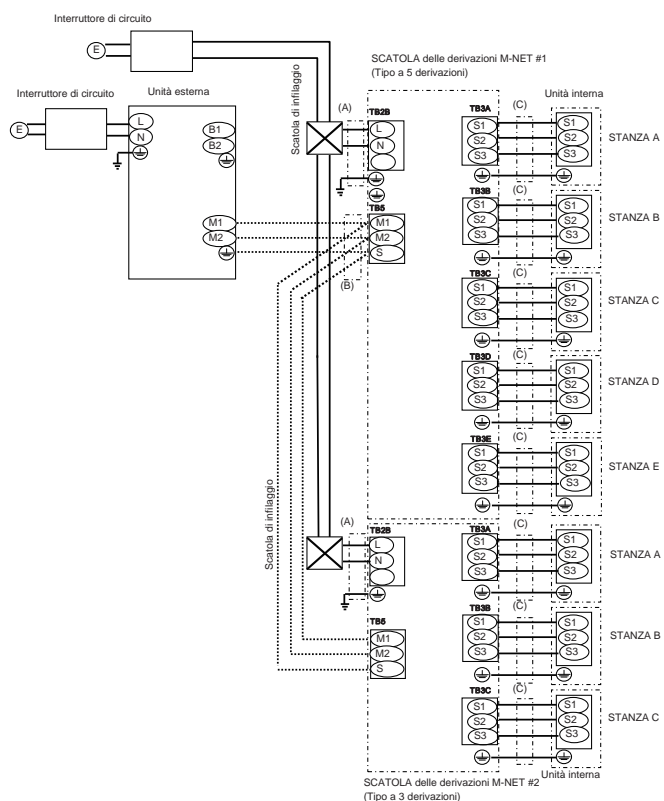
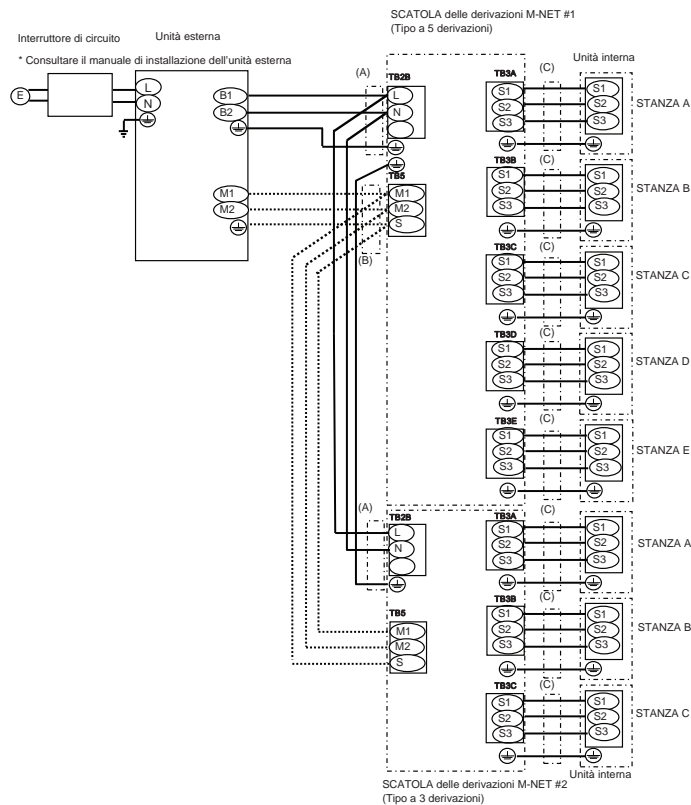


Fig. 8-8

8.2. Procedura di cablaggio esterno (Fig. 8-8, Fig. 8-9)

- Alimentazione dall'unità esterna



Ⓔ Alimentazione: fase singola 220/230/240 V 50 Hz, 220 V 60 Hz

Nota:

- ① Collegare le linee (B), (C) secondo i nomi della morsettiere, per assicurare la corretta polarità.
 - ② Per quanto concerne le linee (C), S1 e S2, esse servono a collegare la fonte di alimentazione.
- E S2 e S3 servono per i segnali. S2 è un normale cavo per la fonte di alimentazione e il segnale.

Diametro filo		
(A) Linea alimentazione principale/Linea di messa a terra	(B) Filo schermato del cavo M-NET CVVS o CPEVS	(C) Linea segnale/Linea di messa a terra
3 nuclei 2,5 mm ²	2 nuclei 1,25 mm ² meno di 200 m	4 nuclei 1,5 mm ² meno di 25 m

Quando si utilizza un cavo intrecciato per il cablaggio, è necessario disporre di un terminale tondo.

Note: 1. La dimensione del cablaggio deve essere conforme al codice vigente locale e nazionale.

2. I cavi dell'alimentazione e i cavi di collegamento dell'unità interna/scatola di derivazione/unità esterna non saranno più leggeri del cavo flessibile schermato di policloroprene. (Progetto 60245 IEC 57)
3. Installare una linea di messa a terra più lunga dei cavi di alimentazione.
4. Non avvolgere il cavo M-NET con il cavo di collegamento e il cavo di alimentazione. Potrebbe verificarsi un errato funzionamento.

⚠ Avvertenza:

Non giuntare il cavo. In caso contrario, potrebbero verificarsi fumo, incendi o errori di comunicazione.

SCATOLA delle derivazioni M-NET (Tipo a 5 derivazioni)

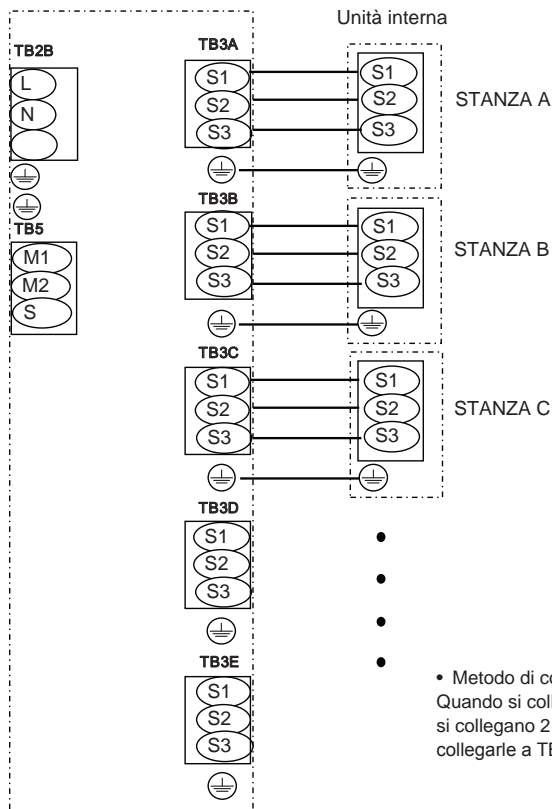


Fig. 8-9

- Metodo di collegamento consigliato

Quando si collega un'unità interna alla scatola delle derivazioni, collegarla a TB3A. Quando si collegano 2 unità interne, collegarle a TB3A e TB3B. Quando si collegano 3 unità interne, collegarle a TB3A, TB3B, e TB3C. Collegare le unità interne nell'ordine A→B→C→D→E.

8. Collegamenti elettrici

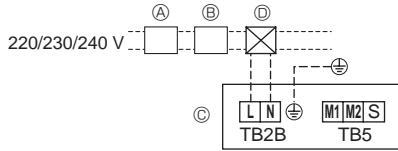


Fig. 8-10

■ Cablaggio di alimentazione (fornire l'alimentazione alla scatola delle derivazioni e all'unità esterna in modo separato)

- Installare una linea di messa a terra più lunga degli altri cavi.
- I cavi di alimentazione delle apparecchiature elettriche non devono essere più leggeri dei cavi 245IEC57 o 227IEC57, 245 IEC 53 o 227 IEC 53.
- Con l'installazione del condizionatore d'aria deve essere fornito un interruttore con la separazione del contatto di almeno 3 mm (1/8 di pollice) in ciascun polo.

[Fig. 8-10]

- Ⓐ Interruttore differenziale
- Ⓑ Interruttore locale/Disgiuntore di rete
- Ⓒ Scatola delle derivazioni
- Ⓓ Scatola di infilaggio

Corrente di esercizio totale dell'unità interna	Spessore minimo del filo (mm ² /AWG)					Disgiuntore di rete (NFB)	Interruttore differenziale *1
	Cavo principale	Derivazione	Terra	Capacità	Fusibile		
F0 = 15A o meno *2	2,1/14	2,1/14	2,1/14	15	15	15	15A sensibilità di corrente *3
F0 = 20A o meno *2	3,3/12	3,3/12	3,3/12	20	20	20	20A sensibilità di corrente *3
F0 = 30A o meno *2	5,3/10	5,3/10	5,3/10	30	30	30	30A sensibilità di corrente *3

Per l'impedenza di sistema massima consentita attenersi alla norma IEC61000-3-3.

*1 L'interruttore differenziale deve supportare un circuito di inversione.

L'interruttore differenziale deve operare congiuntamente all'interruttore locale o al disgiuntore di rete.

*2 Scegliere il valore maggiore tra F1 e F2 come valore di F0.

F1 = corrente di esercizio totale massima delle unità interne × 1,2

F2 = (V1/C)

Collegare alla scatola delle derivazioni (PAC-MK•BC)

Unità interna	V1	V2
Type 1 SEZ-KD•VA, PCA-RP•KAQ, PLA-ZRP•BA(UK)	19,8	2,4
Type 2 PEAD-RP•JAQ(L)UK	26,9	
Type 3 MLZ-KA•VA, SLZ-KA•VAQ(L)3	9,9	
Type 4 MSZ-FH•VE, MSZ-SF•VE, MSZ-EF•VE, MSZ-SF•VA	6,8	
Type 5 MFZ-KJ•VE	7,4	
Type 6 Scatola delle derivazioni (PAC-MK•BC)	5,1	

Collegare al kit di collegamento (PAC-LV11M)

Unità interna	V1	V2
Type 1 MSY-EF•VE, MSY-GE•VA, MSY-GH, MSZ-GE•VA, MSZ-SF•VA, MSZ-SF•VE, MSZ-EF•VE, MSZ-FH•VE	6,8	2,4
Type 2 MFZ-KJ•VE	7,4	
Type 3 Kit di collegamento (PAC-LV11M)	3,5	

Unità interna	V1	V2
Tipo 1 PMFY-VBM, PLFY-VBM, PEFY-VMS1, PCFY-VKM, PKFY-VHM, PKFY-VKM, PFFY-VLRMM, PFFY-VKM	19,8	2,4
Tipo 2 PLFY-VCM	9,9	
Tipo 4 PKFY-VBM	3,5	1,6
Tipo 5 PEFY-VMA	38,0	
Tipo 6 PLFY-VLMD, PEFY-VMH, PEFY-VMR, PDFY-VM, PFFY-VLEM, PFFY-VLRM	0	

C: Multiplo della corrente di intervento con un tempo di intervento di 0,01 s

Scegliere "C" dalle caratteristiche di intervento del disgiuntore.

*Condizione scatola delle derivazioni × 2 + SEZ-KD•VA × 5, C=8 (fare riferimento al grafico di esempio a destra)

F2 = 5,1 × 2/8 + 19,8 × 5/8

= 14,9

→ Disgiuntore 16A (Corrente di intervento = 8 × 16A a 0,01s)

*3 La sensibilità di corrente è calcolata con la seguente formula.

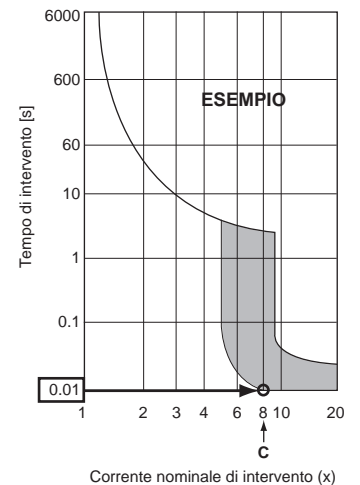
G1 = V2 + V3 × (lunghezza del filo[km])

G1	Sensibilità di corrente
30 o meno	30 mA 0,1sec o meno
100 o meno	100 mA 0,1sec o meno

Spessore del filo (mm ² /AWG)	V3
2,1/14	48
3,3/12	56
5,3/10	66

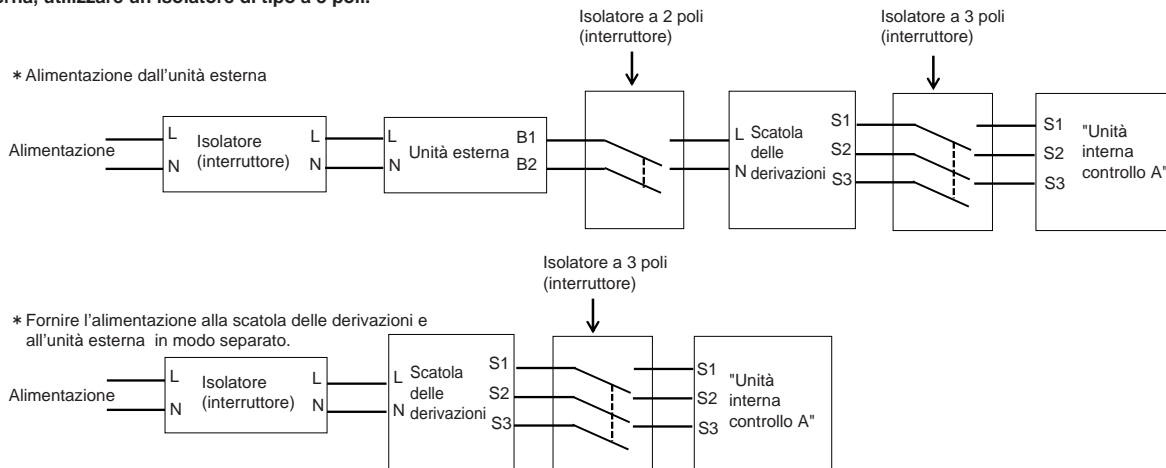
Unità interna	V2
Unità interna	2,4
Scatola delle derivazioni	3,0

Grafico di esempio



⚠ Avvertenza:

Per i cavi di comando A, esiste un potenziale di alta tensione sul terminale S3 dovuto alla tipologia del circuito elettrico che non dispone di isolamento elettrico tra la linea di alimentazione e la linea del segnale di comunicazione. Pertanto, quando si eseguono interventi di manutenzione, disinserire l'alimentazione principale. Non toccare i terminali S1, S2, S3 quando è inserita l'alimentazione. Qualora sia necessario utilizzare un isolatore tra la scatola delle derivazioni e le unità esterna o interna, utilizzare un isolatore di tipo a 3 poli.

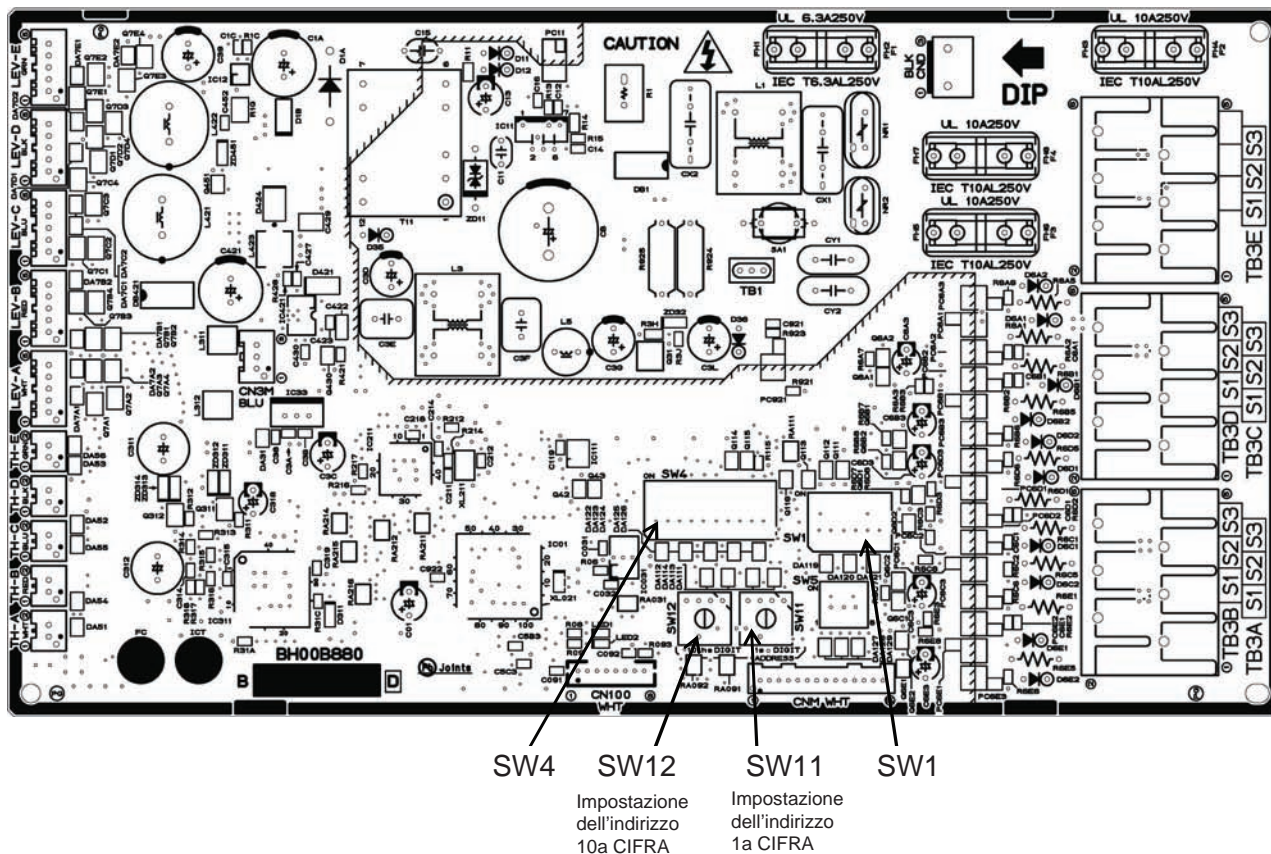


⚠ Attenzione:

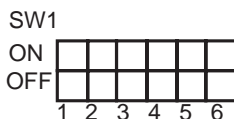
Dopo aver utilizzato l'isolatore, accertarsi di spegnere e riaccendere l'alimentazione di rete per azzerare il sistema. Altrimenti, l'unità esterna potrebbe non essere in grado di rilevare alcuna scatola delle derivazioni o le unità interne.

8. Collegamenti elettrici

8.3. Impostazione dell'interruttore



Impostazione dell'interruttore DIP (effettiva solo prima di attivare l'alimentazione)



- Unità interna A
- Unità interna B
- Unità interna C
- Unità interna D
- Unità interna E
- Non assegnata

Interruttore	OFF	ON
SW1-1	No	Sì
SW1-2	No	Sì
SW1-3	No	Sì
SW1-4	No	Sì
SW1-5	No	Sì
SW1-6		

Interruttore dell'indirizzo (effettiva solo prima di attivare l'alimentazione)

L'impostazione attuale dell'indirizzo dell'unità interna varia nei diversi sistemi. Consultare il manuale di installazione dell'unità esterna per i dettagli sulle modalità di impostazione dell'indirizzo. Ogni indirizzo viene configurato con la combinazione delle impostazioni per la decima e la prima cifra.

(Esempio)

- Quando si imposta l'indirizzo su "3", impostare la 1a cifra su 3 e la 10a cifra su 0.
- Quando si imposta l'indirizzo su "25", impostare la 1a cifra su 5 e la 10a cifra su 2.

(Esempio)

- Quando si imposta l'indirizzo della SCATOLA delle derivazioni su "3", ad ogni unità interna, a partire dall'unità A, viene assegnato un indirizzo come illustrato di seguito, a prescindere dal fatto che ciascuna unità interna sia collegata. (SW1-1 ~ 5 ON)
 - Dell'unità interna A Indirizzo 3
 - Dell'unità interna B Indirizzo 4
 - Dell'unità interna C Indirizzo 5
 - Dell'unità interna D Indirizzo 6
 - Dell'unità interna E Indirizzo 7
- Quando l'indirizzo è impostato su "25" e sono collegate anche 3 unità interne (unità A, unità C e unità E). (SW1-1, 1-3, 1-5 ON)
 - Dell'unità interna A Indirizzo 25
 - Dell'unità interna C Indirizzo 26
 - Dell'unità interna E Indirizzo 27

9. Esecuzione del test

- Fare riferimento alla sezione "Esecuzione del test" del manuale di installazione delle unità interne e dell'unità esterna.
- Quando la scatola delle derivazioni e la fonte di alimentazione esterna sono separate, attivare prima l'alimentazione della scatola delle derivazioni, e solo dopo attivare l'alimentazione dell'unità esterna.

• Dopo l'accensione o una momentanea interruzione del funzionamento, è possibile che si senta un piccolo scatto all'interno della scatola delle derivazioni. Si tratta del cassetto di espansione elettronico che si apre e si chiude. Non si tratta di un guasto all'unità.

- Assicurarsi di eseguire il test in modalità di raffreddamento per ciascuna unità interna. Accertarsi anche che tutte le unità interne funzionino correttamente attenendosi al manuale di installazione in dotazione con l'unità.
- Se si esegue la prova per tutte le unità interne contemporaneamente, non è possibile rilevare un eventuale raccordo errato dei tubi del refrigerante e dei cavi di raccordo dell'unità esterna/interna.
- Per verificare la presenza di cablaggi impropri, eseguire il test per ciascuna unità interna singolarmente.

⚠ Attenzione:

- **Utilizzare il telecomando per far funzionare l'unità interna.**
- **I seguenti sintomi non sono indice di malfunzionamento.**

Sintomi	Causa	Display LED dell'unità interna *
L'unità interna non funziona anche se impostata sul funzionamento per raffreddamento (riscaldamento)	Il funzionamento per raffreddamento (riscaldamento) non può essere azionato quando è attivo il funzionamento per riscaldamento (raffreddamento) di un'altra unità interna.	Stand by (per sistema multiplo)
La ventola dell'unità interna si arresta durante il funzionamento per riscaldamento.	La ventola si arresta durante il funzionamento per sbrinamento.	-
	La ventola si arresta quando è attiva la modalità di raccolta del refrigerante **.	Stand by (per sistema multiplo)

* Per i dettagli, consultare il manuale di istruzioni delle unità interne.

** Questa modalità viene attivata per circa 1 minuto per evitare un apporto insufficiente di refrigerante durante il funzionamento per riscaldamento quando il refrigerante stesso viene conservato in un'unità interna che è stata disabilitata o il cui riscaldamento è stato disattivato.

Περιεχόμενα

1. Προφυλακτικά Μέτρα Ασφαλείας	74	6. Τοποθέτηση του κουτιού διακλάδωσης	79
2. Επιλογή θέσης εγκατάστασης	74	7. Εγκατάσταση σωληνώσεων ψυκτικού	79
3. Έλεγχος των παρεχόμενων εξαρτημάτων	75	8. Ηλεκτρικές εργασίες	81
4. Διαστάσεις και απαιτούμενος χώρος συντήρησης του κουτιού διακλάδωσης	75	9. Δοκιμαστική λειτουργία	85
5. Σωλήνωση ψυκτικού	78		

Αυτό το εγχειρίδιο εγκατάστασης αφορά μόνο την εγκατάσταση του κουτιού διακλάδωσης. Για την εγκατάσταση των εσωτερικών μονάδων και της εξωτερικής μονάδας, ανατρέξτε στο εγχειρίδιο εγκατάστασης που συνοδεύει κάθε μονάδα.

1. Προφυλακτικά Μέτρα Ασφαλείας

- ▶ Πριν κάνετε την εγκατάσταση της μονάδας, βεβαιωθείτε ότι διαβάσατε όλα τα “Προφυλακτικά Μέτρα Ασφαλείας”.
- ▶ Προτού συνδέσετε τον εξοπλισμό στο δίκτυο ηλεκτρικής παροχής, ενημερώστε τον αρμόδιο ή πάρτε την έγκρισή του.
- ▶ PAC-MK*BC έχει σχεδιαστεί ως επαγγελματικός εξοπλισμός.
- ▶ Κατά τη λήψη ηλεκτρισμού από την εξωτερική μονάδα, τα εφαρμοστέα πρότυπα για την εξωτερική μονάδα ενδέχεται να μη πληρούνται ανάλογα με την εσωτερική μονάδα που χρησιμοποιείται.

⚠ Προειδοποίηση:
Περιγράφει τα μέτρα ασφαλείας που πρέπει να λαμβάνονται για την πρόληψη του κινδύνου τραυματισμού ή και θανάτου του χρήστη.

⚠ Προσοχή:
Περιγράφει προφυλακτικά μέτρα που πρέπει να λαμβάνονται για να αποφεύγεται βλάβη στη μονάδα.

- ⚠ Προειδοποίηση:**
- Η εγκατάσταση της μονάδας δεν πρέπει να γίνει από τον χρήστη.
 - Ζητήστε από τον αντιπρόσωπο ή από εξουσιοδοτημένο τεχνικό να εγκαταστήσει τη μονάδα.
 - Για τις εργασίες εγκατάστασης, ακολουθήστε τις οδηγίες που υπάρχουν στο Εγχειρίδιο Εγκατάστασης και χρησιμοποιήστε εργαλεία και εξαρτήματα σωλήνων ειδικά κατασκευασμένα για χρήση με το ψυκτικό που προσδιορίζεται στο εγχειρίδιο εγκατάστασης της εξωτερικής μονάδας.
 - Η εγκατάσταση της μονάδας πρέπει να γίνει σύμφωνα με τις οδηγίες προκειμένου να ελαχιστοποιηθεί ο κίνδυνος ζημιάς από σεισμούς, τυφώνες ή δυνατούς ανέμους. Όταν η μονάδα δεν είναι σωστά εγκατεστημένη, μπορεί να πέσει και να προκαλέσει ζημιά ή τραυματισμό.
 - Η μονάδα πρέπει να εγκατασταθεί και να στερεωθεί καλά σε μια επιφάνεια που μπορεί να αντέξει το βάρος της.
 - Αν το κλιματιστικό πρόκειται να εγκατασταθεί σε μικρό χώρο, πρέπει να ληφθούν μέτρα προκειμένου να αποτραπεί η συγκέντρωση ψυκτικού στο δωμάτιο επάνω από το όριο ασφαλείας σε περίπτωση που σημειωθεί διαρροή. Αν σημειωθεί διαρροή ψυκτικού και υπέρβαση του ορίου συγκέντρωσης, υπάρχει σοβαρός κίνδυνος για την υγεία εξαιτίας της έλλειψης οξυγόνου στο δωμάτιο.
 - Αερίστε το χώρο σε περίπτωση διαρροής ψυκτικού κατά τη λειτουργία της μονάδας. Αν το ψυκτικό έρθει σε επαφή με φλόγα, θα απελευθερωθούν δηλητηριώδη αέρια.
 - Όλες οι ηλεκτρικές εργασίες πρέπει να εκτελούνται από εκπαιδευμένο τεχνικό και σύμφωνα με τους τοπικούς κανονισμούς και τις οδηγίες που δίνονται σε αυτό το εγχειρίδιο.
 - Χρησιμοποιείτε μόνο τα συνιστώμενα καλώδια για τις καλωδιώσεις.
 - Το κάλυμμα της πλακέτας ακροδεκτών της εξωτερικής μονάδας πρέπει να βρίσκεται καλά ασφαλισμένο στη θέση του.
 - Χρησιμοποιείτε μόνο εγκεκριμένα εξαρτήματα από την Mitsubishi Electric και για την εγκατάστασή τους καλέστε τον αντιπρόσωπο ή εξουσιοδοτημένο τεχνικό.
 - Ο χρήστης δεν πρέπει ποτέ να επιχειρήσει να επισκευάσει τη μονάδα ή να τη μεταφέρει σε άλλη θέση χωρίς τη βοήθεια ειδικού προσωπικού.
 - Αφού ολοκληρωθεί η εγκατάσταση, ελέγξτε για τυχόν διαρροές ψυκτικού. Αν υπάρχει διαρροή ψυκτικού στο δωμάτιο και έρθει σε επαφή με τη φλόγα μιας ηλεκτρικής θερμάστρας ή μιας φορητής εστίας μαγειρέματος, υπάρχει κίνδυνος να απελευθερωθούν δηλητηριώδη αέρια.
 - Συνδέστε τα καλώδια τροφοδοσίας και τα καλώδια σύνδεσης για τις εξωτερικές, τις εξωτερικές μονάδες και τα κουτιά διακλάδωσης απευθείας στις συσκευές (χωρίς ενδιάμεσες συνδέσεις). Οι ενδιάμεσες συνδέσεις μπορεί να προκαλέσουν σφάλματα επικοινωνίας εάν εισχωρήσει νερό στα καλώδια ή στους αγωγούς το οποίο καταστρέφει τη μόνωση ή έχει σαν αποτέλεσμα κακή ηλεκτρική επαφή στο σημείο της ενδιάμεσης σύνδεσης.
(Αν είναι απαραίτητη η ενδιάμεση σύνδεση, πρέπει να λάβετε όλα τα μέτρα για να αποτρέψετε την είσοδο νερού στα καλώδια και τους αγωγούς.)

2. Επιλογή θέσης εγκατάστασης

* Το κουτί διακλάδωσης προορίζεται για χρήση μόνο σε εσωτερικούς χώρους.

- Βεβαιωθείτε ότι το κουτί διακλάδωσης έχει τοποθετηθεί σε τέτοια θέση ώστε να διευκολύνεται η συντήρησή και η επισκευή. (Βεβαιωθείτε ότι η οπή συντήρησης είναι ελεύθερη και ο χώρος για τυχόν επισκευή επαρκής).

- Αποφύγετε την εγκατάσταση κοντά σε υπνοδωμάτια. Ο ήχος του ψυκτικού που κυκλοφορεί μέσα στις σωληνώσεις μπορεί να είναι ενοχλητικός.
 - Βεβαιωθείτε ότι ο θόρυβος από τη λειτουργία της μονάδας στη θέση εγκατάστασης δεν δημιουργεί πρόβλημα.
- Μετά από τροφοδοσία με ρεύμα ή μετά από σύντομη διακοπή της λειτουργίας, ίσως ακουστεί ένας σιγανός ήχος κλικ από το εσωτερικό του κουτιού διακλάδωσης. Η ηλεκτρονική βαλβίδα εκτόνωσης ανοίγει και κλείνει. Αυτό δεν σημαίνει ότι η μονάδα έχει βλάβη.

- Καθορίστε εκ των προτέρων τη διαδρομή των σωληνώσεων ψυκτικού, των σωληνώσεων αποστράγγισης και των ηλεκτρικών καλωδιώσεων.

Αφού ολοκληρωθούν οι εργασίες για την εγκατάσταση, περιγράψτε στον πελάτη τα “Προφυλακτικά Μέτρα Ασφαλείας”, τη χρήση και τη συντήρηση της μονάδας σύμφωνα με τις πληροφορίες στο Εγχειρίδιο Λειτουργίας και εκτελέστε τη δοκιμαστική λειτουργία για να σιγουρευτείτε ότι η μονάδα λειτουργεί κανονικά. Το Εγχειρίδιο Εγκατάστασης και το Εγχειρίδιο Λειτουργίας πρέπει να δοθούν στο χρήστη για αναφορά. Τα εγχειρίδια αυτά πρέπει να δίνονται και στους επόμενους χρήστες της μονάδας.

⚠ : Δείχνει μέρος της συσκευής που πρέπει να γειώνεται.

⚠ Προειδοποίηση:
Διαβάστε προσεκτικά τις ετικέτες που είναι κολλημένες πάνω στην κύρια μονάδα.

- ⚠ Προσοχή:**
- Βεβαιωθείτε ότι οι σωλήνες ψυκτικού είναι κατάλληλα μονωμένοι για να αποτραπεί ο σχηματισμός συμπύκνωσης.
 - Ελλιπής μόνωση μπορεί να προκαλέσει το σχηματισμό συμπύκνωσης στην επιφάνεια των σωλήνων, με αποτέλεσμα να βραχούν το ταβάνι, το δάπεδο και άλλα αντικείμενα.
 - Μη χρησιμοποιείτε τη μονάδα σε ασυνήθιστο περιβάλλον. Αν το κλιματιστικό εγκατασταθεί σε χώρους όπου υπάρχουν ατμοί, πτητικό λάδι (συμπεριλαμβανομένων των λαδιών μηχανημάτων) ή θειικά αέρια ή σε περιοχές όπου υπάρχει υψηλή περιεκτικότητα σε αλάτι όπως παραλιακά, η απόδοσή του μπορεί να μειωθεί σημαντικά και τα εσωτερικά του μέρη να καταστραφούν.
 - Μην εγκαθιστάτε τη μονάδα σε χώρους όπου μπορεί να υπάρξει διαρροή, παραγωγή, ροή ή συσσώρευση εύφλεκτων αερίων. Σε περίπτωση που συσσωρευτεί εύφλεκτο αέριο γύρω από τη μονάδα, μπορεί να προκληθεί πυρκαγιά ή έκρηξη.
 - Κατά την εγκατάσταση της μονάδας σε νοσοκομείο ή γραφείο επικοινωνιών, λάβετε υπόψη ότι θα υπάρξει θόρυβος και ηλεκτρονικές παρεμβολές. Οι μετασχηματιστές συνεχούς ρεύματος, οι οικιακές συσκευές, τα ιατρικά μηχανήματα υψηλής συχνότητας και οι πομποί ραδιοσυχνότητων μπορεί να προκαλέσουν δυσλειτουργία ή και βλάβη του κλιματιστικού. Το κλιματιστικό μπορεί επίσης να επηρεάσει τη σωστή λειτουργία των ιατρικών μηχανημάτων, παρεμποδίζοντας την ιατρική φροντίδα, και του τηλεπικοινωνιακού εξοπλισμού, επηρεάζοντας την ποιότητα της τηλεοπτικής εικόνας.
 - Η θερμική μόνωση του σωλήνα ψυκτικού είναι απαραίτητη για την αποφυγή της συμπύκνωσης. Αν ο σωλήνας ψυκτικού δεν μονωθεί σωστά, θα σχηματιστεί συμπύκνωση.
 - Τοποθετήστε θερμική μόνωση στους σωλήνες για την αποφυγή της συμπύκνωσης. Αν ο σωλήνας αποστράγγισης δεν εγκατασταθεί σωστά, μπορεί να προκληθεί διαρροή νερού και ζημιά στην οροφή, στο δάπεδο, τα έπιπλα και άλλα αντικείμενα.
 - Μην καθαρίζετε τη μονάδα του κλιματιστικού με νερό. Μπορεί να προκληθεί ηλεκτροπληξία.
 - Σφίξτε όλα τα περικόχλια εκχείλιωσης με το δυναμόκλειδο μέχρι την προβλεπόμενη ροπή. Αν τα σφίξετε υπερβολικά, το περικόχλιο εκχείλιωσης μπορεί να σπάσει μετά από κάποιο διάστημα.
 - Φροντίστε να εγκαταστήσετε διακόπτες κυκλώματος. Αν δεν εγκατασταθούν, μπορεί να προκληθεί ηλεκτροπληξία.
 - Για τις γραμμές τροφοδοσίας, χρησιμοποιήστε τυπικά καλώδια επαρκούς ικανότητας. Διαφορετικά, μπορεί να προκληθεί βραχυκύκλωμα, υπερθέρμανση ή πυρκαγιά.
 - Κατά την εγκατάσταση των γραμμών τροφοδοσίας, μην ασκείτε τάση στα καλώδια. Αν οι συνδέσεις χαλαρώσουν, τα καλώδια μπορεί να σπάσουν με συνέπεια να προκληθεί υπερθέρμανση ή πυρκαγιά.
 - Μη συνδέετε τα καλώδια γείωσης σε σωλήνες αερίου ή νερού, σε αλεξικέραυνα ή στη γείωση τηλεφωνικής γραμμής. Αν η μονάδα δεν γειωθεί σωστά, μπορεί να προκληθεί ηλεκτροπληξία.

- Βεβαιωθείτε ότι η μονάδα βρίσκεται σε ύψος τουλάχιστον 1,8 μέτρων από το δάπεδο και δεν μπορούν να την φτάσουν τα μικρά παιδιά.

• Μην εγκαταστήσετε τη μονάδα σε χώρους με μεγάλη υγρασία ή υψηλή θερμοκρασία για μεγάλες χρονικές περιόδους.

- Βεβαιωθείτε ότι το κουτί διακλάδωσης είναι τοποθετημένο επάνω από την οροφή κάποιου διαδρόμου, λουτρού κτλ. όπου δεν είναι συνεχής η παρουσία ανθρώπων για λόγους συντήρησης (μην το τοποθετείτε σε κεντρικό σημείο ενός δωματίου).

* Βεβαιωθείτε ότι η μονάδα είναι τοποθετημένη σε επιφάνεια ικανή να αντέξει το βάρος της.

⚠ Προειδοποίηση:
Βεβαιωθείτε ότι η μονάδα είναι τοποθετημένη σταθερά σε μια επιφάνεια ικανή να αντέξει το βάρος της.
Διαφορετικά, η μονάδα μπορεί να πέσει προκαλώντας τραυματισμούς.

3. Έλεγχος των παρεχόμενων εξαρτημάτων

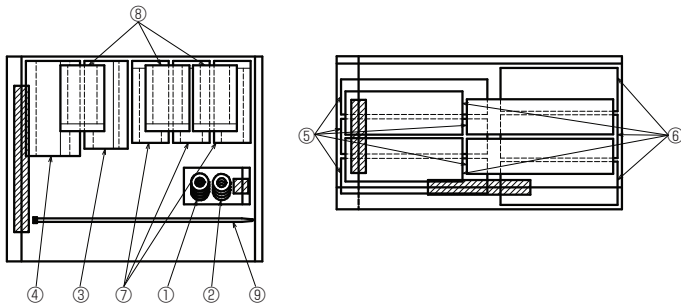


Fig. 3-1

3.1. Ελέγξτε τα εξαρτήματα και τα μέρη του κουτιού διακλάδωσης

	Όνομα εξαρτήματος	Ποσότητα		
		PAC-MK30BC	PAC-MK50BC	
①	Ροδέλα (με μόνωση)	4	4	
②	Ροδέλα	4	4	
③	Κάλυμμα σωλήνα (υγρού)	1	1	Προς εξωτερική μονάδα
④	Κάλυμμα σωλήνα (αερίου)	1	1	Προς εξωτερική μονάδα
⑤	Κάλυμμα σωλήνα (υγρού)	3	5	Προς εσωτερική μονάδα
⑥	Κάλυμμα σωλήνα (αερίου)	3	5	Προς εσωτερική μονάδα
⑦	Κάλυμμα ένωσης (υγρού)	1	3	
⑧	Κάλυμμα ένωσης (αερίου)	1	3	
⑨	Στεφάνη στερέωσης	16	24	

4. Διαστάσεις και απαιτούμενος χώρος συντήρησης του κουτιού διακλάδωσης

Προαιρετικοί προσαρμογείς διαμέτρου (σύνδεσμοι).

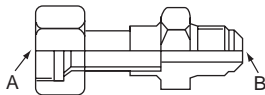


Fig. 4-1

Όνομα μοντέλου	Διάμετρος συνδεόμενων σωλήνων	Διάμετρος A	Διάμετρος B
	mm		
MAC-A454JP	ø9,52 → ø12,7	ø9,52	ø12,7
MAC-A455JP	ø12,7 → ø9,52	ø12,7	ø9,52
MAC-A456JP	ø12,7 → ø15,88	ø12,7	ø15,88
PAC-493PI	ø6,35 → ø9,52	ø6,35	ø9,52
PAC-SG76RJ-E	ø9,52 → ø15,88	ø9,52	ø15,88

- * Συνδέστε δύο ή περισσότερες εσωτερικές μονάδες σε ένα σύστημα.
- * 1-2 κουτιά διακλάδωσης μπορούν να συνδεθούν σε μία εξωτερική μονάδα.
- * Μπουλόνι ανάρτησης : W3/8 (M10)
- * Διαπλατυσμένη ένωση του σωλήνα ψυκτικού

* Το μέγεθος του σωλήνα διαφέρει ανάλογα με τον τύπο και την ικανότητα των εσωτερικών μονάδων. Το μέγεθος σωλήνα της εσωτερικής μονάδας πρέπει να ταιριάζει με αυτό του κουτιού διακλάδωσης στο σημείο της ένωσης. Σε αντίθετη περίπτωση, πρέπει να χρησιμοποιήσετε προαιρετικούς μετατροπείς διαμέτρου (παραμορφωμένους συνδέσμους) στην πλευρά του κουτιού διακλάδωσης. (Συνδέστε το μετατροπέα διαμέτρου απευθείας στο κουτί διακλάδωσης.)

■ PAC-MK50BC (τύπου 5 διακλαδώσεων)

(mm)

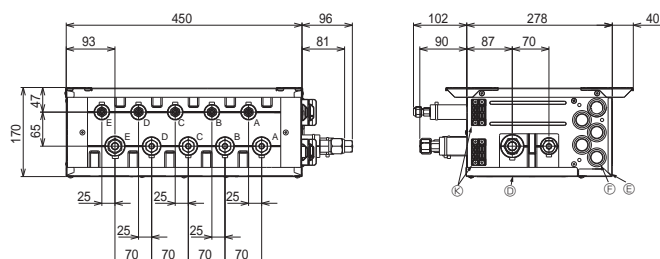
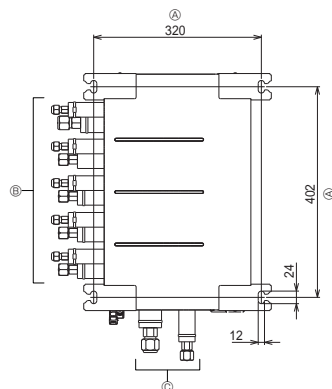


Fig. 4-2

- Ⓐ Βήμα μπουλονιού ανάρτησης
- Ⓑ Προς την εσωτερική μονάδα
- Ⓒ Προς την εξωτερική μονάδα
- Ⓓ Κάλυμμα σέρβις (για ΒΑΛΒΙΔΑ ΓΡΑΜΜΙΚΗΣ ΕΚΤΟΝΩΣΗΣ, ΘΕΡΜΙΣΤΟΡ)
- Ⓔ Ηλεκτρικό κάλυμμα
- Ⓕ Ελαστικός δακτύλιος
- Ⓖ Πίνακας ακροδεκτών (προς την εσωτερική μονάδα στον πίνακα ελέγχου)
- Ⓗ Πίνακας ακροδεκτών (προς την εξωτερική μονάδα)
- Ⓙ Πίνακας ακροδεκτών (για το καλώδιο επικοινωνιών)
- Ⓚ Σφιγκτήρας καλωδίου

* Βεβαιωθείτε ότι το κουτί διακλάδωσης είναι τοποθετημένο όπως δείχνει το παρακάτω σχήμα.

■ PAC-MK50BC (Fig.4-2)

Μπουλόνι ανάρτησης : W3/8 (M10)

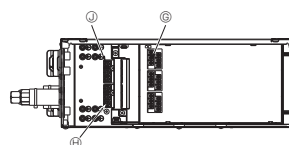
Διαπλατυσμένη ένωση του σωλήνα ψυκτικού

mm

	A	B	C	D	E	Προς εξωτερική μονάδα
Σωλήνας υγρού	ø6,35	ø6,35	ø6,35	ø6,35	ø6,35	ø9,52
Σωλήνας αερίου	ø9,52	ø9,52	ø9,52	ø9,52	ø12,7	ø15,88

Πίνακας μετατροπής

1/4 F	ø6,35
3/8 F	ø9,52
1/2 F	ø12,7
5/8 F	ø15,88
3/4 F	ø19,05



4. Διαστάσεις και απαιτούμενος χώρος συντήρησης του κουτιού διακλάδωσης

■ PAC-MK30BC (τύπου 3 διακλαδώσεων)

(mm)

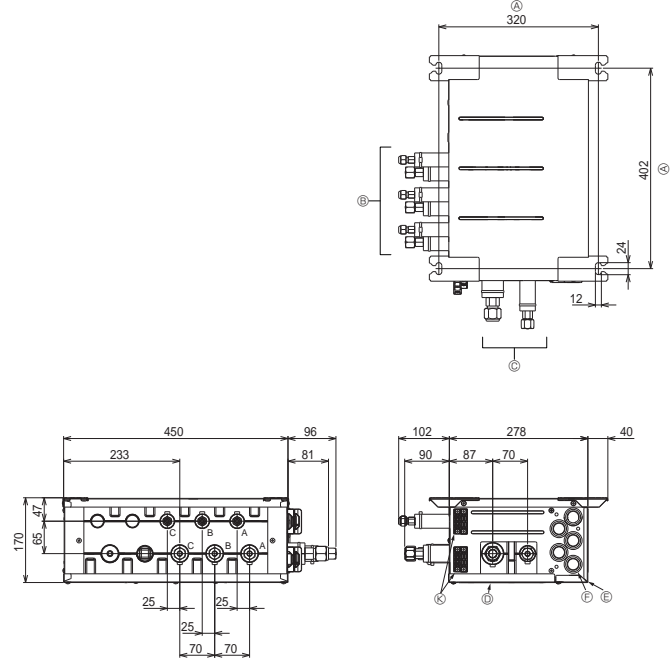


Fig. 4-3

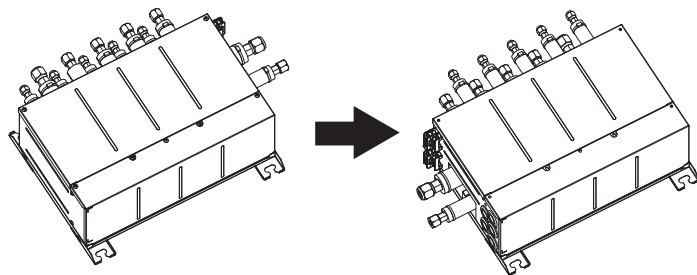
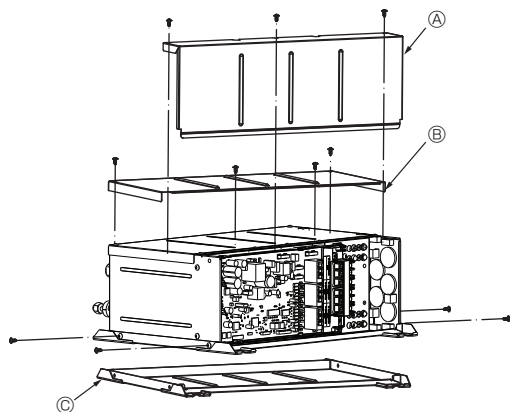


Fig. 4-4

② Αφαιρέστε το ηλεκτρικό κάλυμμα, το κάλυμμα σέρβις και το επάνω πλαίσιο.

- Α Ηλεκτρικό κάλυμμα
- Β Κάλυμμα σέρβις
- Γ Επάνω πλαίσιο



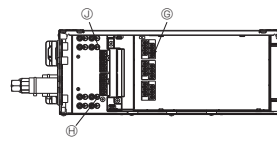
■ PAC-MK30BC (Fig. 4-3)

Μπουλόνι ανάρτησης: W3/8 (M10)

Σύνδεση εκχείλωσης σωλήνα ψυκτικού

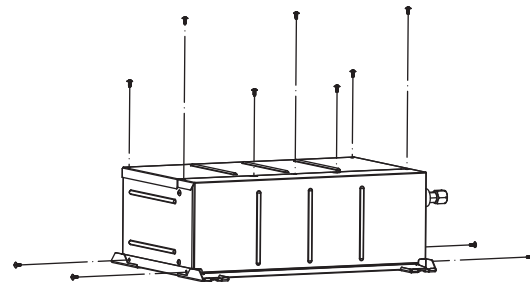
mm

	A	B	C	Προς την εξωτερική μονάδα
Σωλήνας υγρού	ø6,35	ø6,35	ø6,35	ø9,52
Σωλήνας αερίου	ø9,52	ø9,52	ø9,52	ø15,88



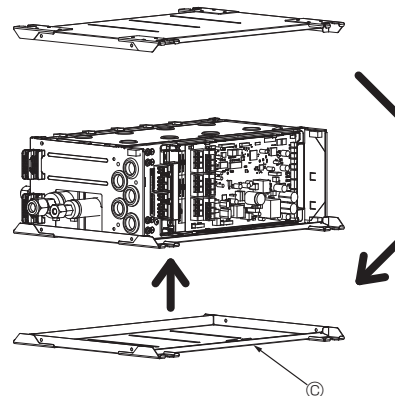
4.1. Η κατεύθυνση της σωλήνωσης μπορεί να αλλάξει. (Fig. 4-4). [Διαδικασίες εργασίας] (Fig. 4-5)

① Αφαιρέστε τις βίδες σε κάθε μέρος.



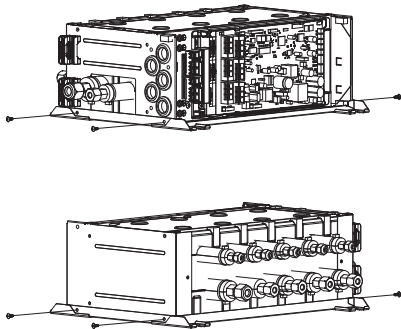
③ Εγκαταστήστε το επάνω πλαίσιο στην απέναντι επιφάνεια.

- Γ Επάνω πλαίσιο



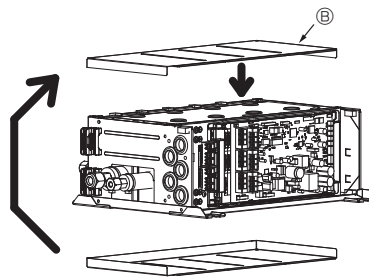
4. Διαστάσεις και απαιτούμενος χώρος συντήρησης του κουτιού διακλάδωσης

④ Βιδώστε τις βίδες σε κάθε εξάρτημα.

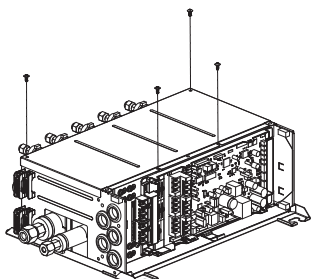


⑤ Εγκαταστήστε το κάλυμμα σέρβις στην απέναντι επιφάνεια.

ⓑ Κάλυμμα σέρβις

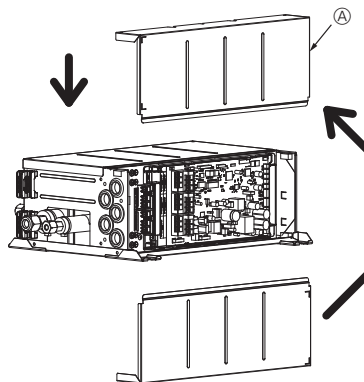


⑥ Βιδώστε τις βίδες.



⑦ Εγκαταστήστε το ηλεκτρικό κάλυμμα στην απέναντι επιφάνεια.

ⓐ Ηλεκτρικό κάλυμμα



⑧ Βιδώστε τις βίδες.

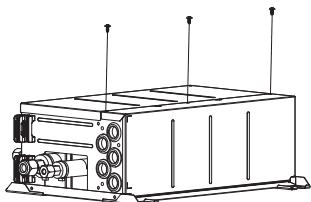


Fig. 4-5

4. Διαστάσεις και απαιτούμενος χώρος συντήρησης του κουτιού διακλάδωσης

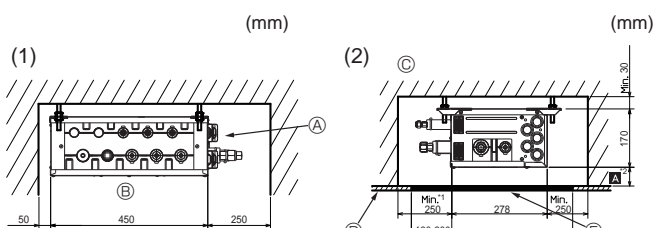


Fig. 4-6

Fig. 4-7

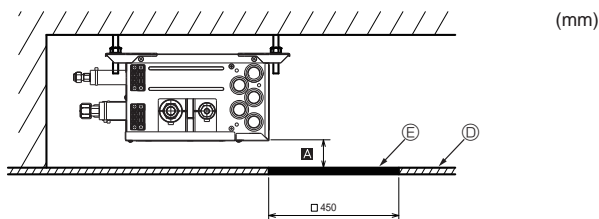


Fig. 4-8

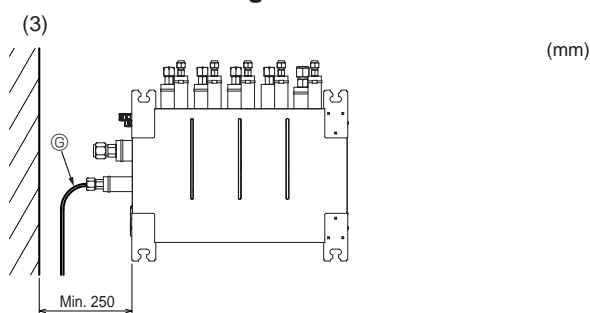


Fig. 4-9

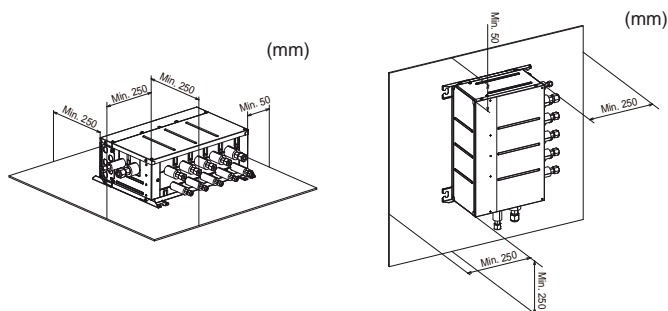


Fig. 4-10

Fig. 4-11

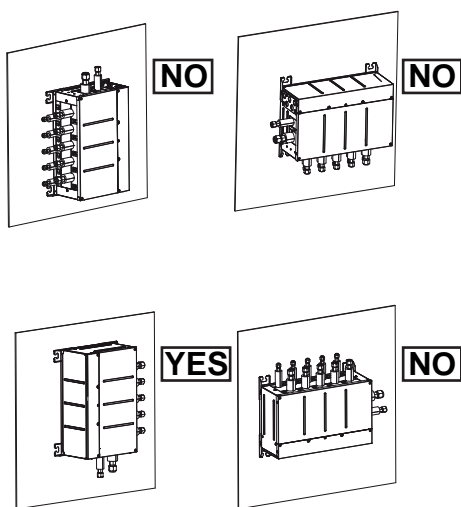


Fig. 4-12

4.2. Απαιτούμενος χώρος για εγκατάσταση και επισκευή

I. Ο χώρος κατά την εγκατάσταση με τα μπουλόνια ανάρτησης.

(1) Μπροσινή όψη (Fig 4-6)

- Ⓐ Κουτί διακλάδωσης
- Ⓑ Στο πλάι των σωληνώσεων

(2) Πλαϊνή όψη (Fig. 4-7, Fig. 4-8)

- Ⓒ Για εγκαταστάσεις σε εσωτερικούς χώρους
- Ⓓ Μαδέρι οροφής
- Ⓔ Οπή συντήρησης

*1: Απαιτείται τουλάχιστον 350 mm για κάμψεις 90° στις σωληνώσεις ψυκτικού.

***2: Το Ⓐ πρέπει να είναι "Τουλάχιστον 200 mm" <συνιστάται>.**

Σε περίπτωση μήκους μικρότερου των 200 mm (για παράδειγμα, εάν το Ⓐ είναι 100 mm), τότε δυσχεραίνεται η εργασία αντικατάστασης στο κουτί διακλάδωσης από την οπή συντήρησης (Είναι δυνατή μόνο η αντικατάσταση της πλακέτας κυκλώματος, των πηνίων βαλβίδων γραμμικής διαστολής, των αισθητήρων και του δοχείου αποστράγγισης).

***3: Το Ⓑ πρέπει να είναι "□ 600 mm" <συνιστάται>.**

Στην περίπτωση που είναι "□ 450" δημιουργήστε μια οπή συντήρησης στην πλευρά της πλακέτας κυκλώματος (όπως φαίνεται στο Fig. 4-8). "Τουλάχιστον 300 mm" απαιτείται ως απόσταση για το Ⓐ.

Σε περίπτωση μήκους μικρότερου των 300 mm (για παράδειγμα, εάν το Ⓐ είναι 100 mm), τότε δυσχεραίνεται η εργασία αντικατάστασης από την οπή συντήρησης του κουτιού διακλάδωσης, των πηνίων βαλβίδων γραμμικής διαστολής, των αισθητήρων και του δοχείου αποστράγγισης (Είναι δυνατή μόνο η εργασία αντικατάστασης της πλακέτας κυκλώματος).

(3) Επάνω όψη (Fig. 4-9)

- Ⓒ Σωλήνωση ψυκτικού

II. Ο χώρος κατά την εγκατάσταση στο δάπεδο. (Fig. 4-10)

III. Ο χώρος κατά την εγκατάσταση σε τοίχο. (Fig. 4-11)

Η κατεύθυνση εγκατάστασης είναι περιορισμένη κατά την εγκατάσταση σε τοίχο. (Fig. 4-12)

Κατά την εγκατάσταση της μονάδας σε τοίχο, εγκαταστήστε τη σωλήνωση που συνδέεται με την εξωτερική μονάδα έτσι ώστε να είναι στραμμένη προς τα κάτω. Άλλοι τρόποι δεν επιτρέπονται.

5. Σωλήνωση ψυκτικού

* Ακολουθείτε πάντα τις προδιαγραφές που περιλαμβάνονται στο εγχειρίδιο εγκατάστασης της εξωτερικής μονάδας. Διαφορετικά, αυτό μπορεί να έχει αρνητική επίδραση στην απόδοση του κλιματιστικού ή πρόβλημα στη λειτουργία του.

6. Τοποθέτηση του κουτιού διακλάδωσης

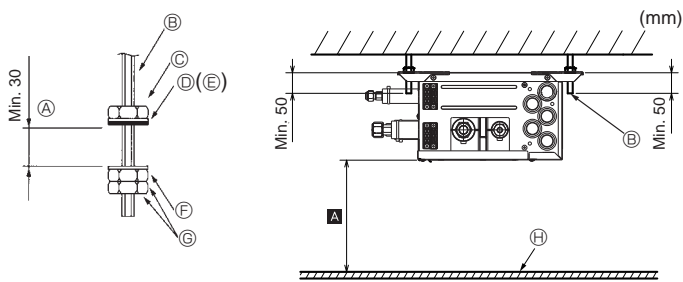


Fig. 6-1

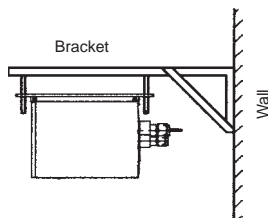


Fig. 6-2

* Προμηθευτείτε την κατάλληλη βάση από το εμπόριο εάν πρόκειται να τοποθετήσετε τη μονάδα με στήριξη σε τοίχο.

- (1) Τοποθετήστε τα μπουλόνια ανάρτησης (θα τα προμηθευτείτε από το εμπόριο) στη συνιστώμενη απόσταση (Fig. 4-2, 4-3).
 - (2) Τοποθετήστε τις ροδέλες και τα παξιμάδια (1, 2, θα τα προμηθευτείτε από το εμπόριο) στα μπουλόνια ανάρτησης. (Fig. 6-1)
 - (3) Κρεμάστε τη μονάδα στα μπουλόνια ανάρτησης.
 - (4) Σφίξτε καλά τα παξιμάδια (ελέγξτε το ύψος της οροφής).
 - (5) Χρησιμοποιήστε ένα αλφάδι για να ευθυγραμμίσετε το κουτί διακλάδωσης στην οριζόντιο.
- Α Όταν η μονάδα έχει αναρτηθεί και έχετε σφίξει τα παξιμάδια.
 Β Μπουλόνι ανάρτησης
 Γ Παξιμάδια
 Δ Ροδέλα (με μαξιλαράκι) ①
 Ε Βεβαιωθείτε ότι το μαξιλαράκι είναι στραμμένο προς τα κάτω
 Ε Ροδέλα (χωρίς μαξιλαράκι) ②
 Σ Παξιμάδι (θα το προμηθευτείτε από το εμπόριο)
 Η Μπουλόνι ανάρτησης

7. Εγκατάσταση σωληνώσεων ψυκτικού

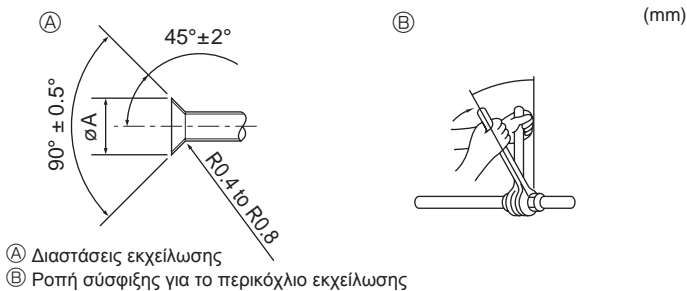


Fig. 7-1

Α Διαστάσεις εκχέλιωσης

Πίνακας 1

Διάμετρος χαλκοσωλήνα (mm)	Διαστάσεις εκχέλιωσης Διάσταση θA (mm)
$\phi 6,35$	8,7-9,1
$\phi 9,52$	12,8-13,2
$\phi 12,7$	16,2-16,6
$\phi 15,88$	19,3-19,7

Β Διαστάσεις εκχέλιωσης

Πίνακας 2

Διάμετρος χαλκοσωλήνα (mm)	Διάμετρος περικοχλίου εκχέλιωσης (mm)	Ροπή σύσφιξης (N·m)
$\phi 6,35$	17	14-18
$\phi 6,35$	22	34-42
$\phi 9,52$	22	34-42
$\phi 12,7$	26	49-61
$\phi 12,7$	29	68-82
$\phi 15,88$	29	68-82
$\phi 15,88$	36	100-120

- Συνδέστε τους σωλήνες υγρού και αερίου κάθε εσωτερικής μονάδας στις θέσεις σύνδεσης με τον ίδιο αριθμό όπως αναγράφεται στη διαπλευσμένη ένωση εσωτερικής μονάδας κάθε κουτιού διακλάδωσης. Αν η σύνδεση δεν γίνει στις σωστές θέσεις, δεν θα λειτουργεί σωστά.
- Για τη σύνδεση εσωτερικών μονάδων, προσέξτε να συνδέσετε τους σωλήνες ψυκτικού και τα καλώδια σύνδεσης στις κατάλληλες θύρες και υποδοχές που σημειώνονται με τους αντίστοιχους χαρακτήρες. (Παράδειγμα: A, B, C, D, E)

Σημείωση:

Μην παραλείψετε να σημειώσετε όλους τους σωλήνες ψυκτικού που θα προμηθευτείτε από το εμπόριο (σωλήνες υγρού, σωλήνες αερίου κτλ.) για κάθε εσωτερική μονάδα με σαφή ένδειξη για το δωμάτιο στο οποίο ανήκουν. (Παράδειγμα: A, B, C, D, E)

- Αναγράψτε τα ονόματα μοντέλων εσωτερικών μονάδων στην πλάκα του πίνακα ελέγχου του κουτιού διακλάδωσης (για λόγους αναγνώρισης).

- Διεξάγετε επαρκείς εργασίες κατά της συμπύκνωσης και εργασίες μόνωσης για την αποφυγή διαρροής σταγόνων νερού από τη σωλήνωση ψυκτικού. (σωλήνας υγρού/σωλήνας αερίου)
- Αυξήστε τη μόνωση ανάλογα με το περιβάλλον όπου έχει εγκατασταθεί η σωλήνωση ψυκτικού, διαφορετικά μπορεί να παρουσιαστεί συμπύκνωση στην επιφάνεια του υλικού μόνωσης. (Θερμοκρασία αντοχής στη θερμότητα του υλικού μόνωσης: 120 °C, Πάχος: 15 mm ή περισσότερο)
- * Όταν η σωλήνωση ψυκτικού χρησιμοποιείται σε τοποθεσίες που υπόκεινται σε υψηλές θερμοκρασίες και υγρασία όπως σε μια σοφίτα, μπορεί να απαιτείται πρόσθετη μόνωση.
- Για τη μόνωση της σωλήνωσης ψυκτικού, τοποθετήστε θερμοανθεκτικό αφρό πολυαιθυλενίου μεταξύ της εσωτερικής μονάδας και του υλικού μόνωσης καθώς και στο δίχτυ ανάμεσα στο υλικό μόνωσης γεμίζοντας όλα τα κενά. (Η συμπύκνωση που σχηματίζεται στη σωλήνωση μπορεί να προκαλέσει συμπύκνωση στο δωμάτιο ή εγκαύματα κατά την επαφή με τη σωλήνωση.)
- Όταν χρησιμοποιείτε σωληνώσεις ψυκτικού του εμπορίου, βεβαιωθείτε ότι και οι σωλήνες υγρού και οι σωλήνες αερίου είναι τυλιγμένοι με θερμομονωτικό υλικό που διατίθεται στο εμπόριο (μονωτικό υλικό πάχους τουλάχιστον 12 mm με αντοχή σε θερμοκρασίες πάνω από 100 °C).
- Ανατρέξτε στο εγχειρίδιο εγκατάστασης της εξωτερικής μονάδας όταν δημιουργείτε κενό και όταν ανοίγετε ή κλείνετε βαλβίδες.
 - (1) Αφαιρέστε τα περικοχλία εκχέλιωσης και τα καπάκια από το κουτί διακλάδωσης.
 - (2) Εκχειλίστε τα άκρα των σωληνών υγρού και αερίου και αλείψτε την διαπλευσμένη επιφάνεια με ένα λεπτό στρώμα λαδιού ψυκτικού (θα το προμηθευτείτε από το εμπόριο). Μην αλείψετε λάδι τμήμα με σπείρωμα.
 - (3) Συνδέστε αμέσως τις σωληνώσεις ψυκτικού. Να σφίγγετε πάντα τα περικοχλία εκχέλιωσης με την ενδεικτική ροπή σύσφιξης σύμφωνα με τον παρακάτω πίνακα χρησιμοποιώντας δυναμόκλειδο και διπλό κλειδί.
 - (4) Πιέστε με δύναμη τα καλύμματα ③ και ⑤ του σωλήνα υγρού στη μονάδα και τυλίξτε τα για να μην βγουν από τη θέση τους. (Fig. 7-3)
 - (5) Πιέστε με δύναμη τα καλύμματα ④ και ⑥ του σωλήνα αερίου στη μονάδα και τυλίξτε τα για να μην βγουν από τη θέση τους. (Fig. 7-3)
 - (6) Τοποθετήστε τις παρεχόμενες στεφάνες στερέωσης ⑨ στα 10 - 20 mm περίπου από κάθε άκρο των καλυμμάτων των σωληνών (③ ④ ⑤ ⑥).
 - (7) Αν δεν είναι συνδεδεμένη η εσωτερική μονάδα, τοποθετήστε τα παρεχόμενα καλύμματα σωληνών (με καπάκια, ⑦ και ⑧) στις ενώσεις των σωληνώσεων ψυκτικού με το κουτί διακλάδωσης για να αποφύγετε τη συμπύκνωση νερού στους σωλήνες. (Fig. 7-4)
 - (8) Στερεώστε τα καλύμματα σωληνών (⑦ ⑧) στη θέση τους με τις παρεχόμενες στεφάνες ⑨.

7. Εγκατάσταση σωληνώσεων ψυκτικού

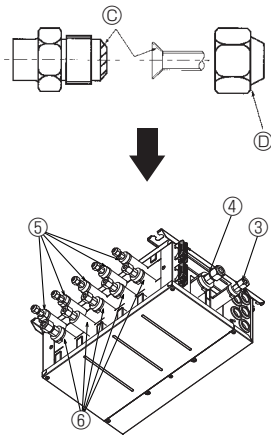


Fig. 7-2

⚠ Προσοχή:

Σφίξτε το περικόχλιο εκχείλωσης με ένα δυναμόκλειδο σύμφωνα με τις οδηγίες. Αν το σφίξετε υπερβολικά, υπάρχει περίπτωση να σπάσει με την πάροδο του χρόνου και να προκληθεί διαρροή ψυκτικού.

- © Αλείψτε με λάδι ψυκτικού ολόκληρη (Fig. 7-2) τη διαπλατυσμένη επιφάνεια.
- Ⓣ Να χρησιμοποιείτε τα παρεχόμενα με τη μονάδα περικόχλια εκχείλωσης (αν τα προμηθευτείτε από το εμπόριο, μπορεί να σπάσουν).

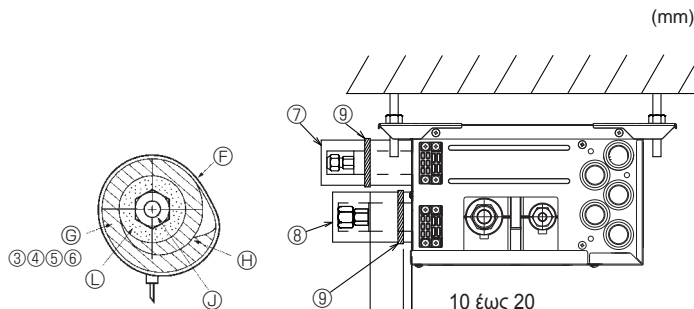


Fig. 7-3

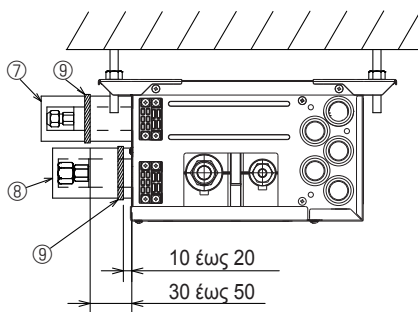


Fig. 7-4

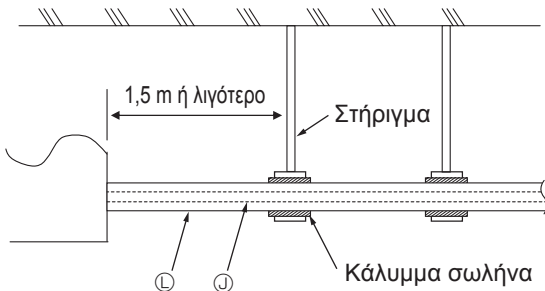


Fig. 7-5

Σημείωση:

Ένα ειδικό περικόχλιο εκχείλωσης (προαιρετικό ή παρεχόμενο με την εσωτερική μονάδα) είναι απαραίτητο για ορισμένες εσωτερικές μονάδες. Ανατρέξτε στο εγχειρίδιο εγκατάστασης της εξωτερικής και της εσωτερικής μονάδας για λεπτομέρειες.

- Ⓣ Στεφάνη στερέωσης Ⓣ
- Ⓝ Καλύμματα σωληνών Ⓝ Ⓞ Ⓟ Ⓠ
- Ⓡ Σφίξτε
- Ⓢ Σωλήνωση ψυκτικού
- Ⓣ Θερμομόνωση για τη σωλήνωση ψυκτικού

► Χρησιμοποιήστε τις ακόλουθες διαδικασίες για τα μέρη του κουτιού διακλάδωσης που δεν είναι συνδεδεμένα σε εσωτερική μονάδα. (Fig. 7-4)

- (1) Για να αποφύγετε τις διαρροές ψυκτικού, βεβαιωθείτε ότι τα περικόχλια εκχείλωσης βιδώνονται σύμφωνα με τις καθορισμένες ροπές σύσφιξης* στον Πίνακα 3.
* Μπορεί επίσης να παρουσιαστεί διαρροή ψυκτικού, εάν τα περικόχλια εκχείλωσης βιδωθούν περισσότερο από τις καθορισμένες ροπές σύσφιξης.
- (2) Για να αποφευχθούν φαινόμενα συμπίκνωσης, εγκαταστήστε τα καλύμματα των σωληνώσεων Ⓡ Ⓢ και σφίξτε τα με τις παρεχόμενες ταινίες Ⓣ.

Πίνακας 3

Διάμετροι των ανοιγμάτων του κουτιού διακλάδωσης για τη σύνδεση εσωτερικών μονάδων (mm)	Ροπή σύσφιξης (N·m)
ø6,35	13 ± 2
ø9,52	30 ± 2
ø12,7	50 ± 2

► Πλήρωση ψυκτικού:

Ανατρέξτε στο εγχειρίδιο εγκατάστασης της εξωτερικής μονάδας. Χρησιμοποιείτε μόνο ψυκτικό R410A (η χρήση άλλων ψυκτικών μπορεί να προκαλέσει προβλήματα).

⚠ Caution:

Για την αποφυγή υπερβολικής καταπόνησης του κουτιού διακλάδωσης, στηρίξτε τη σωλήνωση με ένα ή περισσότερα στηρίγματα σε απόσταση 1,5 m ή λιγότερο από το κουτί διακλάδωσης.

Ανατρέξτε στην Fig. 7-5 για ένα παράδειγμα.

- Ⓢ Σωλήνωση ψυκτικού
- Ⓣ Θερμική μόνωση για τη σωλήνωση ψυκτικού

8. Ηλεκτρικές εργασίες

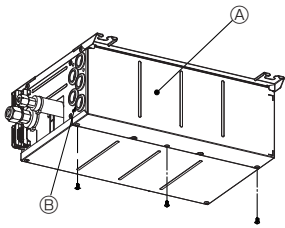


Fig. 8-1

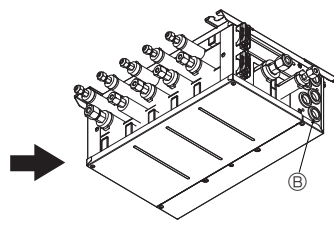


Fig. 8-2

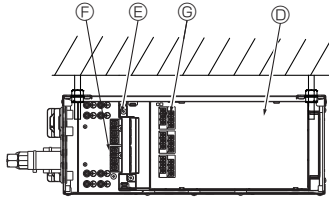


Fig. 8-3

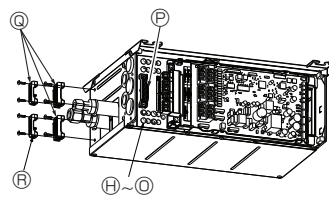


Fig. 8-4

- Α Ηλεκτρικό κάλυμμα
- Β Ελαστικός δακτύλιος
- Γ Καλωδίωση
- Δ Πίνακας ελεγκτή
- Ε Πίνακας ακροδεκτών: TB5
- Ζ Πίνακας ακροδεκτών: TB2B <Προς εξωτερική μονάδα>
- Θ Πίνακας ακροδεκτών: TB3A-TB3E <Προς εσωτερική μονάδα>
- Η Ακροδέκτης γείωσης <Προς εξωτερική μονάδα>

- Θ Ακροδέκτης γείωσης <Για το TB3A>
- Κ Ακροδέκτης γείωσης <Για το TB3B>
- Λ Ακροδέκτης γείωσης <Για το TB3D>
- Μ Ακροδέκτης γείωσης <Για το TB3C>
- Ν Ακροδέκτης γείωσης <Για το TB3E>
- Ο Ακροδέκτης γείωσης <Προς άλλο κουτί διακλάδωσης>
- Π Σφικτήρας καλωδίου <Για το TB2B>
- Ω Σφικτήρας καλωδίου <Για το TB3A-TB3E>
- Φ Σφικτήρας καλωδίου <Για το TB5>

► Προφυλάξεις για τις ηλεκτρικές εργασίες.

⚠ Προειδοποίηση:

• Χρησιμοποιείτε πάντα αποκλειστικές γραμμές ρεύματος με τους διακόπτες σύμφωνα με τις ονομαστικές τιμές τάσης. Οι γραμμές ρεύματος με ανεπαρκή χωρητικότητα και η κακή ποιότητα εργασιών κατά την εγκατάσταση μπορεί να προκαλέσουν ηλεκτροπληξία ή πυρκαγιά.

⚠ Προσοχή:

• Μην παραλείψετε να τοποθετήσετε γείωση. Μην γειώσετε τη μονάδα σε σωλήνες του δημόσιου δικτύου, απαγωγείς υπέρτασης ή γείωση τηλεφώνου.

Η ανεπαρκής γείωση μπορεί να προκαλέσει ηλεκτροπληξία. Τυχόν ρεύμα υπέρτασης από κεραυνό ή άλλη αιτία μπορεί να προκαλέσει βλάβη στο κλιματιστικό.

• Χρησιμοποιείτε τις ενδεδειγμένες ηλεκτρικές καλωδιώσεις και βεβαιωθείτε ότι είναι συνδεδεμένες σωστά και δεν βρίσκονται υπό τάση. Αν δεν ακολουθήσετε αυτές τις οδηγίες, υπάρχει ενδεχόμενο να κοπούν τα καλώδια, να υπερθερμανθούν ή να προκληθεί πυρκαγιά.

► Πριν ενεργοποιήσετε το κουτί διακλάδωσης, βεβαιωθείτε ότι έχετε ρυθμίσει τους διακόπτες.

► Για να ενεργοποιήσετε την τροφοδοσία, πρώτα ενεργοποιήστε το κουτί διακλάδωσης και έπειτα την εξωτερική μονάδα, με αυτήν τη σειρά.

(Στην περίπτωση όπου η τροφοδοσία για το κουτί διακλάδωσης και την εξωτερική μονάδα είναι ξεχωριστή)

► Οι καλωδιώσεις που συνδέουν το κουτί διακλάδωσης με την εξωτερική μονάδα καθώς και το κουτί διακλάδωσης με τις εσωτερικές μονάδες λειτουργούν και ως καλωδιώσεις τροφοδοσίας και ως καλωδιώσεις μεταφοράς σήματος. Συνδέστε τις καλωδιώσεις αυτές σε αντιστοιχία με τους αριθμούς του πίνακα ακροδεκτών για να εξασφαλιστεί η σωστή πολικότητα.

► Βεβαιωθείτε ότι σε κάθε εσωτερική μονάδα έχουν γίνει οι κατάλληλες σωληνώσεις ψυκτικού και ηλεκτρικές καλωδιώσεις. Τυχόν λανθασμένες καλωδιώσεις θα επηρεάσουν την ορθή λειτουργία της μονάδας.

► Συνδέστε τους σωλήνες ψυκτικού και τα καλώδια σύνδεσης στις κατάλληλες θύρες με τους αντίστοιχους χαρακτήρες (Π.χ. Α, Β, C, D, E) στη μονάδα.

► Πρώτα, συνδέστε το καλώδιο τροφοδοσίας από την εξωτερική μονάδα. Στερεώνετε πάντα ξεχωριστά κάθε καλώδιο γείωσης με μια βίδα.

► Για να μην υπάρχει ενδεχόμενο να καταστραφούν οι καλωδιώσεις που περνούν στην οροφή από ποντικούς κτλ., πρέπει να τις περάσετε σε προστατευτικό αγωγό καλωδίων.

1. Βγάλτε τις βίδες του καλύμματος. (Fig. 8-1)

2. Δρομολογήστε την καλωδίωση στο κουτί διακλάδωσης και στερεώστε κάθε καλώδιο στη θέση του με έναν σφικτήρα καλωδίου.

3. Περάστε τα καλώδια στο κουτί διακλάδωσης. (Fig. 8-8)

4. Ρυθμίστε τους διακόπτες dir. (Ανατρέξτε στην ενότητα 8.3)

5. Τοποθετήστε στη θέση του το ηλεκτρικό κάλυμμα.

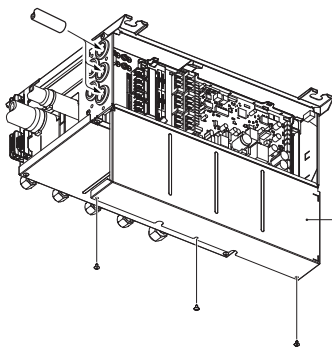


Fig. 8-5

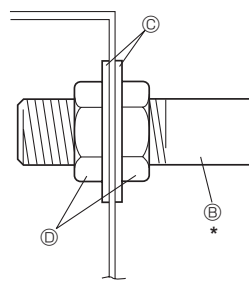


Fig. 8-6

8.1. Όταν χρησιμοποιείται προστατευτικός αγωγός καλωδίων (Fig. 8-5,6,7)

Βάλτε ξανά στη θέση του το οριζόντιο κάλυμμα αφού στερεώσετε καλά τον αγωγό καλωδίων.

- Α Κάλυμμα
- Β Αγωγός καλωδίων
- Γ Ροδέλα
- Δ Παξιμάδι

Μπορεί να χρησιμοποιηθεί αγωγός καλωδίων με εξωτερική διάμετρο μέχρι 1".

(1) Όταν χρησιμοποιείτε αγωγό καλωδίων εξωτερικής διαμέτρου 1", αφαιρέστε το παρέμβυσμα και συνδέστε τον στο κουτί διακλάδωσης. Βγάλτε το οριζόντιο κάλυμμα για τη σύνδεση στο κουτί διακλάδωσης.

(2) Όταν χρησιμοποιείτε αγωγό καλωδίων εξωτερικής διαμέτρου 3/4" ή μικρότερο, κόψτε το παρέμβυσμα και περάστε τον αγωγό περίπου 100 mm μέσα στο κουτί διακλάδωσης.

* Βάλτε ξανά στη θέση του το οριζόντιο κάλυμμα αφού στερεώσετε καλά τον αγωγό καλωδίων.

⚠ Προσοχή:

Για την αποφυγή υπερβολικής καταπόνησης του κουτιού διακλάδωσης, στηρίξτε τον αγωγό καλωδίων με ένα ή περισσότερα στηρίγματα σε απόσταση 1,5 m ή λιγότερο από το κουτί διακλάδωσης.

Ανατρέξτε στην Fig. 8-7 για ένα παράδειγμα.

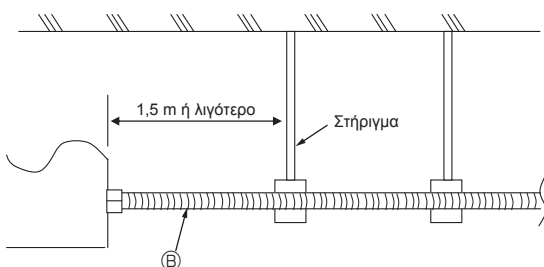


Fig. 8-7

8. Ηλεκτρολογικές εργασίες

- Τροφοδοτήστε με ρεύμα ξεχωριστά το κουτί διακλάδωσης και την εξωτερική μονάδα

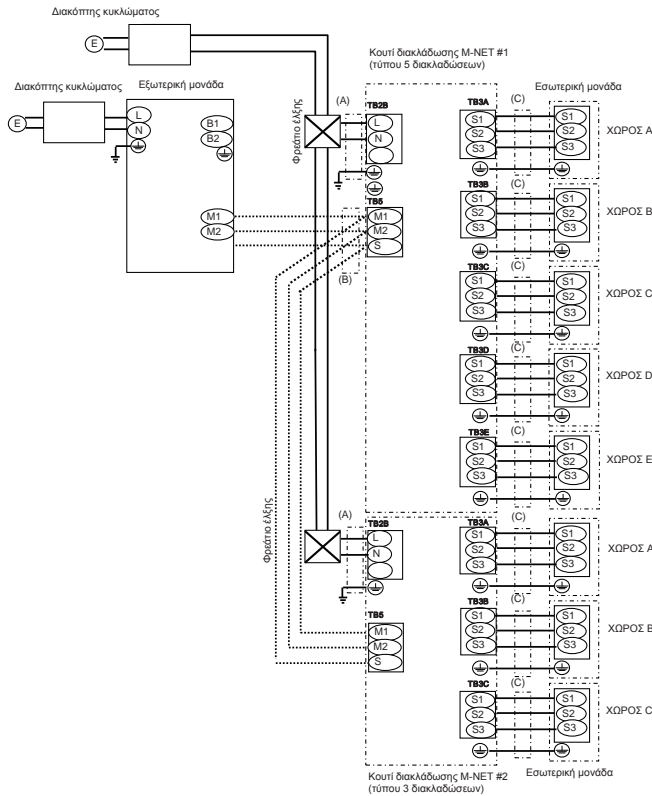
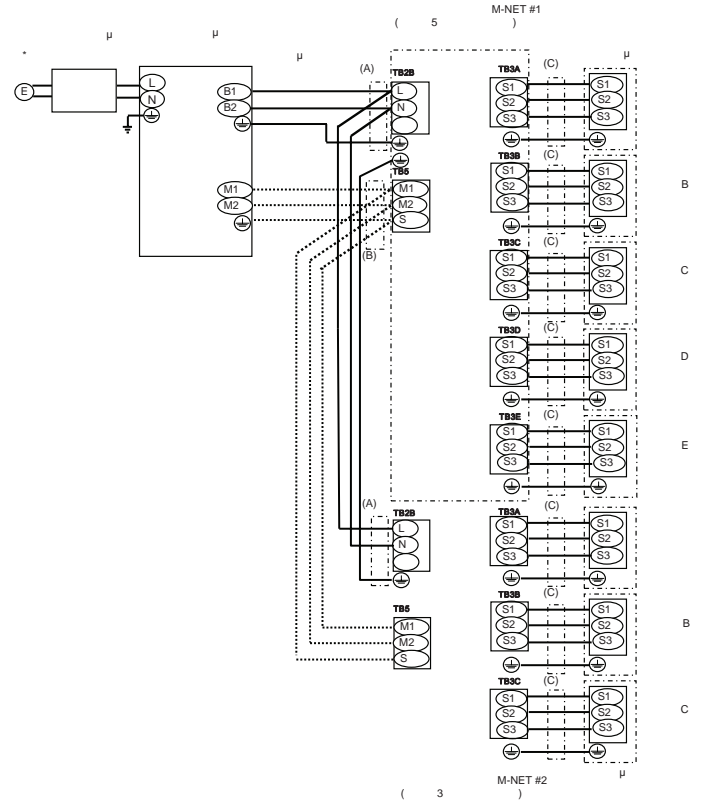


Fig. 8-8

8.2. Διαδικασία εξωτερικής καλωδίωσης (Fig. 8-8, Fig 8-9)

- Τροφοδοσία από την εξωτερική μονάδα



© Τροφοδοσία: Μονή φάση 220/230/240 V 50 Hz, 220 V 60 Hz

Σημείωση:

- ① Συνδέστε τις γραμμές (B), (C) σύμφωνα με τα ονόματα του πίνακα ακροδεκτών για να εξασφαλίσετε τη σωστή πολικότητα.
- ② Για τις γραμμές (C), οι S1 και S2 είναι για τη σύνδεση της τροφοδοσίας. Και οι S2 και S3 είναι για τα σήματα. Ο S2 είναι κοινό καλώδιο για την τροφοδοσία και το σήμα.

Διάμετρος καλωδίου		
(A) Γραμμή τροφοδοσίας/ Γραμμή γείωσης	(B) Καλώδιο M-NET Θωρακισμένος αγωγός CVVS ή CPEVS	(C) Γραμμή σήματος/ Γραμμή γείωσης
3κλωνο 2,5 mm ²	2κλωνο 1,25 mm ² Λιγότερο από 200 m	4κλωνο 1,5 mm ² Λιγότερο από 25 m

Όταν χρησιμοποιείται συνεστραμμένο καλώδιο για την καλωδίωση, απαιτείται η χρήση στρογγυλού ακροδέκτη.

Σημειώσεις: 1. Το μέγεθος των καλωδίων πρέπει να πληροί τους ισχύοντες τοπικούς και εθνικούς κανονισμούς.

2. Τα καλώδια τροφοδοσίας και τα καλώδια σύνδεσης εσωτερικής μονάδας/κουτιού διακλάδωσης/εξωτερικής μονάδας δεν πρέπει να είναι ελαφρώτερα από το εύκαμπτο καλώδιο με περίβλημα πολυχλωροπρενίου. (Πρότυπο 60245 IEC 57)

3. Εγκαταστήστε ένα καλώδιο γείωσης, το οποίο πρέπει να είναι μακρύτερο από τα καλώδια τροφοδοσίας.

4. Μη δένετε μαζί το καλώδιο M-NET με το καλώδιο σύνδεσης και το καλώδιο τροφοδοσίας.

Ενδέχεται να προκληθεί εσφαλμένη λειτουργία.

⚠ Προειδοποίηση:

Ποτέ μη συγκολήσετε το καλώδιο, διαφορετικά μπορεί να προκληθεί καπνός, πυρκαγιά ή σφάλμα επικοινωνίας.

Κουτί διακλάδωσης M-NET
(τύπου 5 διακλαδώσεων)

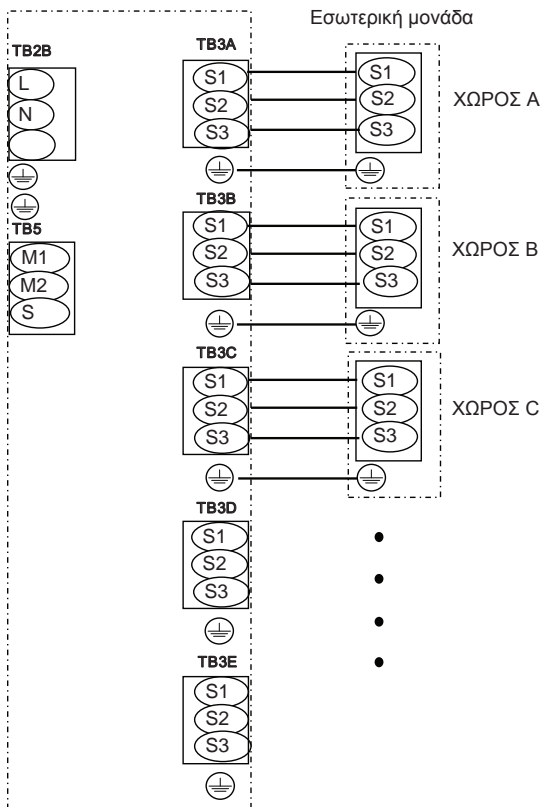


Fig. 8-9

8. Ηλεκτρολογικές εργασίες

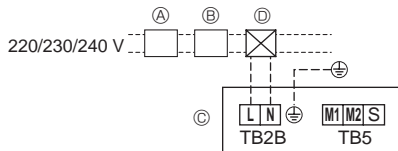


Fig. 8-10

■ Καλωδίωση τροφοδοσίας (Τροφοδοτήστε με ρεύμα ξεχωριστά το κουτί διακλάδωσης και την εξωτερική μονάδα)

- Εγκαταστήστε γραμμή γείωσης μεγαλύτερου μήκους από τα άλλα καλώδια.
- Τα καλώδια τροφοδοσίας της συσκευής δεν πρέπει να έχουν μικρότερο βάρος από τις προδιαγραφές των προτύπων 245IEC57 ή 227IEC57, 245 IEC 53 ή 227 IEC 53.
- Κατά την εγκατάσταση του κλιματιστικού πρέπει να τοποθετηθεί διακόπτης με κενό επαφής σε κάθε πόλο τουλάχιστον 3 mm, 1/8 ίντσας.

[Fig. 8-10]

- Ⓐ Διακόπτης κυκλώματος σε περίπτωση βλάβης της γείωσης
- Ⓑ Τοπικός διακόπτης/Διακόπτης καλωδίωσης
- Ⓒ Κουτί διακλάδωσης
- Ⓓ Φρεάτιο έλξης

Συνολική ένταση ρεύματος λειτουργίας της εσωτερικής μονάδας	Ελάχιστο πάχος καλωδίου (mm ² /AWG)					Διακόπτης για καλωδίωση (NFB)	Διακόπτης κυκλώματος σε περίπτωση βλάβης της γείωσης
	Κύριο καλώδιο	Διακλάδωση	Γείωση	Ικανότητα	Ασφάλεια		
F0 = 15A ή λιγότερο *2	2,1/14	2,1/14	2,1/14	15	15	15	15A current sensitivity *3
F0 = 20A ή λιγότερο *2	3,3/12	3,3/12	3,3/12	20	20	20	20A current sensitivity *3
F0 = 30A ή λιγότερο *2	5,3/10	5,3/10	5,3/10	30	30	30	30A current sensitivity *3

Εφαρμόστε το IEC61000-3-3 σχετικά με τη μέγιστη επιτρεπτή σύνθετη αντίσταση του συστήματος.

*1 Ο διακόπτης κυκλώματος σε περίπτωση βλάβης της γείωσης πρέπει να υποστηρίζει κύκλωμα αναστροφής.

Ο διακόπτης κυκλώματος σε περίπτωση βλάβης της γείωσης πρέπει να συνδυάζει τη χρήση του τοπικού διακόπτη ή διακόπτη καλωδίωσης.

*2 Λάβετε το μεγαλύτερο από το F1 ή F2 ως την τιμή για το F0.

F1 = ΤΣυνολική μέγιστη ένταση ρεύματος λειτουργίας των εσωτερικών μονάδων × 1,2

F2 = (V1/C)

Σύνδεση στο Κουτί διακλάδωσης (PAC-MK*BC)

Εσωτερική μονάδα	V1	V2
Τύπος 1 SEZ-KD*VA, PCA-RP*KAQ, PLA-ZRP*BA(.UK)	19,8	2,4
Τύπος 2 PEAD-RP*JAQ(L).UK	26,9	
Τύπος 3 MLZ-KA*VA, SLZ-KA*VAQ(L)3	9,9	
Τύπος 4 MSZ-FH*VE, MSZ-SF*VE, MSZ-EF*VE, MSZ-SF*VA	6,8	
Τύπος 5 MFZ-KJ*VE	7,4	
Τύπος 6 Κουτί διακλάδωσης (PAC-MK*BC)	5,1	

Σύνδεση στο Kit σύνδεσης (PAC-LV11M)

Εσωτερική μονάδα	V1	V2
Τύπος 1 MSY-EF*VE, MSY-GE*VA, MSY-GH, MSZ-GE*VA, MSZ-SF*VA, MSZ-SF*VE, MSZ-EF*VE, MSZ-FH*VE	6,8	2,4
Τύπος 2 MFZ-KJ*VE	7,4	
Τύπος 3 Kit σύνδεσης (PAC-LV11M)	3,5	

Εσωτερική μονάδα	V1	V2
Τύπος 1 PMFY-VBM, PLFY-VBM, PEFY-VMS1, PCFY-VKM, PKFY-VHM, PKFY-VKM, PFFY-VLRMM, PFFY-VKM	19,8	2,4
Τύπος 2 PLFY-VCM	9,9	
Τύπος 4 PKFY-VBM	3,5	
Τύπος 5 PEFY-VMA	38,0	
Τύπος 6 PLFY-VLMD, PEFY-VMH, PEFY-VMR, PDFY-VM, PFFY-VLEM, PFFY-VLRM	0	

C : Πολλαπλασίο του ρεύματος απόρριξης κατά τον χρόνο απόρριξης 0,01s

Λάβετε το "C" από τα χαρακτηριστικά απόρριξης του διακόπτη.

*Κουτί διακλάδωσης κλιματιστικού × 2 + SEZ-KD*VA × 5, C=8 (ανατρέξτε στο δείγμα διαγράμματος στα δεξιά)

F2 = 5,1 × 2/8 + 19,8 × 5/8

= 14,9

→ Διακόπτης 16A (Ρεύμα απόρριξης = 8 × 16A στα 0,01s)

*3 Η ευαισθησία του ρεύματος υπολογίζεται με τον παρακάτω τύπο.

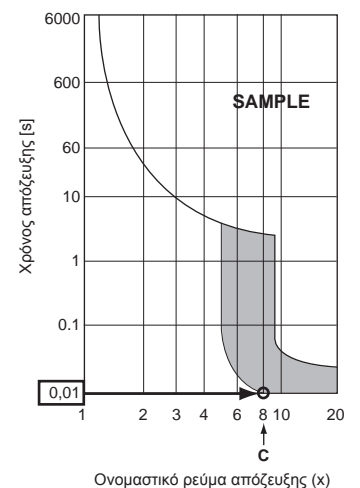
G1 = V2 + V3 × (Μήκος καλωδίου[km])

G1	Ευαισθησία ρεύματος
30 ή λιγότερο	30 mA 0,1sec ή λιγότερο
100 ή λιγότερο	100 mA 0,1sec ή λιγότερο

Πάχος καλωδίου (mm ² /AWG)	V3
2,1/14	48
3,3/12	56
5,3/10	66

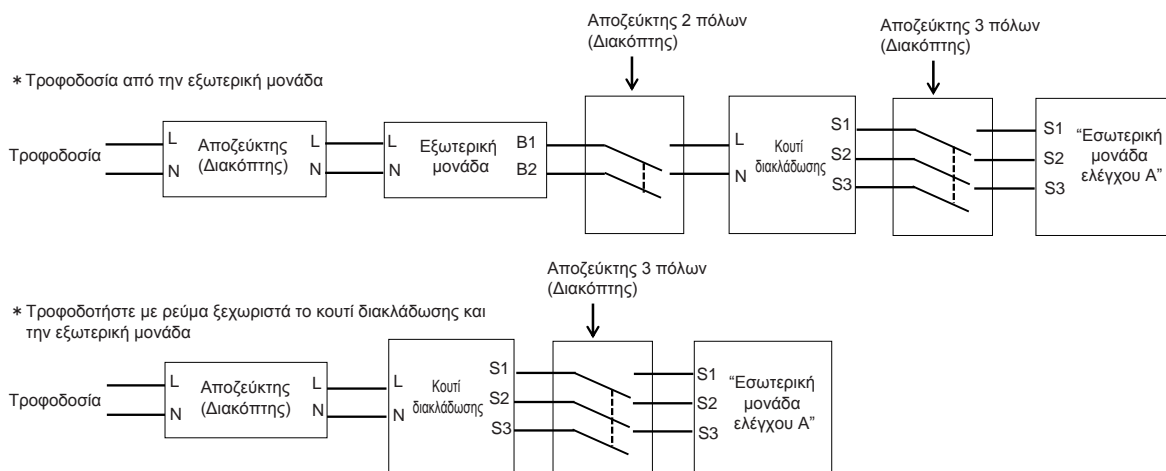
	V2
Εσωτερική μονάδα	2,4
Κουτί διακλάδωσης	3,0

Δείγμα διαγράμματος



⚠ Προειδοποίηση:

Στην περίπτωση καλωδίωσης ελέγχου A, υπάρχει δυναμικό υψηλής τάσης στον ακροδέκτη S3 που προκαλείται από τη σχεδίαση του ηλεκτρικού κυκλώματος που δεν παρέχει ηλεκτρική μόνωση μεταξύ της γραμμής τροφοδοσίας και της γραμμής σήματος επικοινωνίας. Επομένως, κλείνετε πάντα την τροφοδοσία πριν την εκτέλεση εργασιών σέρβις. Επίσης, μην αγγίζετε τους ακροδέκτες S1, S2, S3 όταν αποκατασταθεί η τροφοδοσία. Αν πρέπει να χρησιμοποιηθεί απορριπτική μεταξύ της εξωτερικής μονάδας και του κουτιού διακλάδωσης/εσωτερικής μονάδας και του κουτιού διακλάδωσης, χρησιμοποιήστε απορριπτική 3 πόλων.



* Τροφοδοσία από την εξωτερική μονάδα

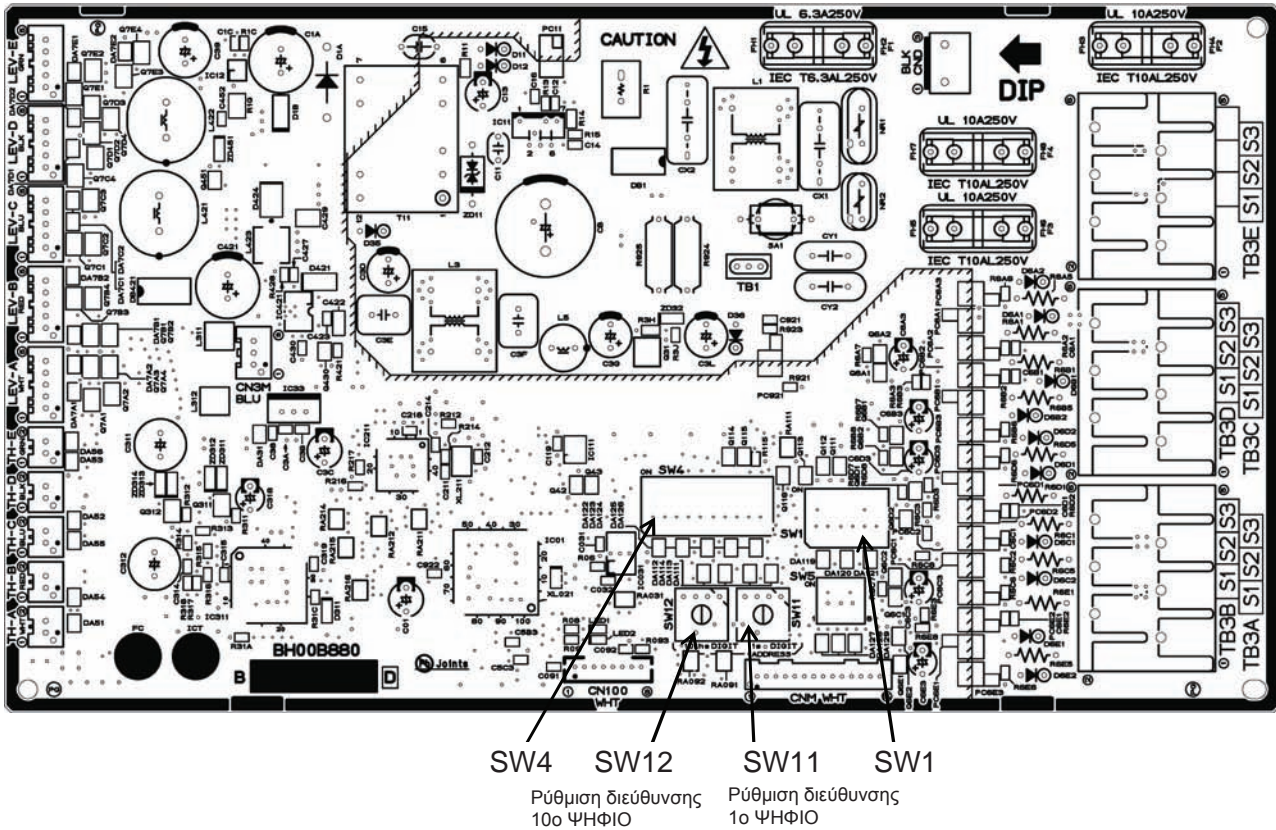
* Τροφοδοτήστε με ρεύμα ξεχωριστά το κουτί διακλάδωσης και την εξωτερική μονάδα

⚠ Προσοχή:

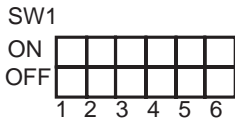
Μετά από τη χρήση του απορριπτικού, φροντίστε να απενεργοποιήσετε και να ενεργοποιήσετε πάλι την τροφοδοσία για να γίνει επαναφορά του συστήματος. Διαφορετικά, η εξωτερική μονάδα ενδέχεται να μην μπορέσει να εντοπίσει το κουτί (ή κουτιά) διακλάδωσης ή τις εσωτερικές μονάδες.

8. Ηλεκτρολογικές εργασίες

8.3. Ρύθμιση διακοπών



Ρύθμιση διακοπών Dip (Ισχύει μόνο πριν από την ενεργοποίηση της τροφοδοσίας)



- Εσωτερική Μονάδα Α
- Εσωτερική Μονάδα Β
- Εσωτερική Μονάδα C
- Εσωτερική Μονάδα D
- Εσωτερική Μονάδα E
- Μη αντιστοιχισμένος

Διακόπτης	OFF	Όχι
SW1-1	Όχι	Ναι
SW1-2	Όχι	Ναι
SW1-3	Όχι	Ναι
SW1-4	Όχι	Ναι
SW1-5	Όχι	Ναι
SW1-6		

Διακόπτης διεύθυνσης (Ισχύει μόνο πριν από την ενεργοποίηση της τροφοδοσίας)

Η πραγματική ρύθμιση διεύθυνσης των εσωτερικών μονάδων διαφέρει σε διαφορετικά συστήματα. Ανατρέξτε στο εγχειρίδιο εγκατάστασης της εξωτερικής μονάδας για λεπτομέρειες σχετικά με τη ρύθμιση διεύθυνσεων. Κάθε διεύθυνση ρυθμίζεται με έναν συνδυασμό των ρυθμίσεων για το 10ο ψηφίο και το 1ο ψηφίο.

(Παράδειγμα)

- Κατά τη ρύθμιση της διεύθυνσης στο "3", ρυθμίστε το 1ο ψηφίο στο 3 και το 10 ψηφίο στο 0.
- Κατά τη ρύθμιση της διεύθυνσης στο "25", ρυθμίστε το 1ο ψηφίο στο 5 και το 10 ψηφίο στο 2.

(Παράδειγμα)

- Κατά τη ρύθμιση της διεύθυνσης του κουτιού διακλάδωσης στο "3", αντιστοιχίζεται μια διεύθυνση σε κάθε εσωτερική μονάδα ξεκινώντας με τη Μονάδα Α όπως φαίνεται παρακάτω ανεξάρτητα από το αν είναι συνδεδεμένη κάθε εσωτερική μονάδα. (SW1-1~5 ON))

- | | |
|--------------------|-------------|
| Εσωτερική Μονάδα Α | Διεύθυνση 3 |
| Εσωτερική Μονάδα Β | Διεύθυνση 4 |
| Εσωτερική Μονάδα C | Διεύθυνση 5 |
| Εσωτερική Μονάδα D | Διεύθυνση 6 |
| Εσωτερική Μονάδα E | Διεύθυνση 7 |

- Όταν η διεύθυνση ρυθμίζεται στο "25" και 3 εσωτερικές μονάδες είναι συνδεδεμένες (Μονάδα Α, Μονάδα Γ και Μονάδα Ε). (SW1-1, 1-3, 1-5 ON)

- | | |
|--------------------|--------------|
| Εσωτερική Μονάδα Α | Διεύθυνση 25 |
| Εσωτερική Μονάδα C | Διεύθυνση 26 |
| Εσωτερική Μονάδα E | Διεύθυνση 27 |

9. Δοκιμαστική Λειτουργία

- Ανατρέξτε στην ενότητα "Δοκιμαστική λειτουργία" του εγχειριδίου εγκατάστασης των εσωτερικών μονάδων και της εξωτερικής μονάδας.
- Όταν η τροφοδοσία για το κουτί διακλάδωσης και την εξωτερική μονάδα είναι ξεχωριστή, ενεργοποιήστε πρώτα την τροφοδοσία για το κουτί διακλάδωσης και έπειτα ενεργοποιήστε την τροφοδοσία για την εξωτερική μονάδα.

• Μετά την παροχή της τροφοδοσίας ή μετά από τη διακοπή της λειτουργίας για μικρό χρονικό διάστημα, μπορεί να ακουστεί ένας σιγανός ήχος κλικ από το εσωτερικό του κουτιού διακλάδωσης. Η ηλεκτρονική βαλβίδα εκτόνωσης ανοίγει και κλείνει. Αυτό δεν σημαίνει ότι η μονάδα έχει βλάβη.

- Φροντίστε να εκτελέσετε τη δοκιμαστική λειτουργία σε λειτουργία ψύξης για κάθε εσωτερική μονάδα. Βεβαιωθείτε ότι κάθε εσωτερική μονάδα λειτουργεί κανονικά ακολουθώντας το εγχειρίδιο εγκατάστασης που συνοδεύει τη μονάδα.
- Αν εκτελέσετε τη δοκιμαστική λειτουργία για όλες τις εσωτερικές μονάδες ταυτόχρονα, δεν θα μπορέσετε να εντοπίσετε τυχόν εσφαλμένη σύνδεση των σωλήνων ψυκτικού και των καλωδίων σύνδεσης εσωτερικής/εξωτερικής μονάδας.
- Για να ελέγξετε για εσφαλμένη καλωδίωση, εκτελέστε τη δοκιμαστική λειτουργία για κάθε εσωτερική μονάδα ξεχωριστά.

⚠ Προσοχή:

- Χρησιμοποιήστε το τηλεχειριστήριο για να χειριστείτε την εσωτερική μονάδα.
- Τα παρακάτω συμπτώματα δεν αποτελούν δυσλειτουργίες.

Σύμπτωμα	Αιτία	Οθόνη LED εσωτερικής μονάδας *
Η εσωτερική μονάδα δεν λειτουργεί ακόμα και όταν έχει ρυθμιστεί σε λειτουργία ψύξης (θέρμανσης)	Η λειτουργία ψύξης (θέρμανσης) δεν μπορεί να ενεργοποιηθεί όταν η λειτουργία θέρμανσης (ψύξης) μιας άλλης εσωτερικής μονάδας βρίσκεται σε εξέλιξη.	Κατάσταση αναμονής (Για συστήματα πολλαπλών μονάδων)
Ο ανεμιστήρας της εσωτερικής μονάδας σταματάει κατά τη λειτουργία θέρμανσης	Ο ανεμιστήρας σταματάει κατά τη διάρκεια της λειτουργίας απόψυξης.	-
	Ο ανεμιστήρας σταματάει όταν ενεργοποιείται η λειτουργία συλλογής ψυκτικού **.	Κατάσταση αναμονής (Για συστήματα πολλαπλών μονάδων)

* Ανατρέξτε στο εγχειρίδιο λειτουργίας των εσωτερικών μονάδων για λεπτομέρειες.

** Η λειτουργία αυτή ενεργοποιείται για 1 λεπτό περίπου προκειμένου να αποφευχθεί η μη επαρκής παροχή ψυκτικού κατά τη διάρκεια της λειτουργίας θέρμανσης όταν το ψυκτικό φυλάσσεται σε εσωτερική μονάδα που έχει απενεργοποιηθεί ή έχει απενεργοποιηθεί η λειτουργία θέρμανσης.

Índice

1. Precauções de Segurança	86	6. Montagem da Caixa de Derivação	91
2. Selecção de um local para a instalação	86	7. Instalação da tubagem do refrigerante	91
3. Confirmação dos Acessórios Fornecidos	87	8. Trabalho eléctrico	93
4. Dimensões e espaço necessário para a manutenção da Caixa de Derivação	87	9. Teste de funcionamento	97
5. Tubagem do refrigerante	90		

Este manual de instalação aplica-se apenas à caixa de derivação. Para instalar as unidades interiores e a unidade exterior, consulte o manual de instalação fornecido com cada unidade.

1. Precauções de Segurança

- ▶ Antes de instalar a unidade, leia atentamente as “Precauções de segurança”.
- ▶ Reporte-se ou peça autorização à autoridade responsável pelo fornecimento de energia antes de proceder à ligação deste equipamento ao sistema de alimentação eléctrica.
- ▶ As séries PAC-MK BC são concebidas como equipamento profissional.
- ▶ Ao receber energia eléctrica da unidade exterior, as normas aplicáveis para a unidade exterior podem ser satisfeitas de acordo com a unidade interior utilizada.

⚠ Aviso:

Descreve as precauções a observar para evitar riscos de ferimentos ou morte ao utilizador.

⚠ Cuidado:

Descreve os cuidados a ter para não danificar a unidade.

⚠ Aviso:

- A unidade não pode ser instalada pelo utilizador.
- Peça a um concessionário ou electricista qualificado que a instale.
- Para proceder à instalação, siga as instruções do Manual de Instalação e utilize ferramentas e componentes da tubagem especificamente concebidos para utilização com o refrigerante especificado no manual de instalação da unidade exterior.
- A unidade deve ser instalada de acordo com as instruções, para minimizar o risco de danos sofridos devido a tremores de terra ou ventos fortes. Uma unidade instalada incorrectamente pode cair e provocar danos ou ferimentos.
- A unidade deve ser instalada com segurança numa estrutura que suporte o seu peso.
- Se o aparelho de ar condicionado for instalado num compartimento pequeno, deverão ser tiradas medidas por forma a evitar que a concentração do refrigerante exceda o limite de segurança, mesmo que ocorram fugas de refrigerante. Em caso de fuga de refrigerante e de ultrapassagem do limite de concentração, poderá haver potenciais perigos devido à falta de oxigénio no compartimento.
- Ventile o compartimento em caso de fuga de refrigerante durante o funcionamento. Se o refrigerante entrar em contacto com fogo, serão libertados gases tóxicos.
- Todos os trabalhos de electricidade devem ser levados a cabo por um electricista qualificado e em conformidade com a regulamentação local e as instruções fornecidas neste manual.
- Utilize apenas os cabos eléctricos indicados.
- O painel da tampa do bloco terminal da unidade deve ser bem fixo.
- Utilize só acessórios autorizados pela Mitsubishi Electric e peça ao seu distribuidor ou a uma empresa autorizada que os instale.
- O utilizador nunca deve tentar reparar a unidade ou transferi-la para outro local.
- Depois de a instalação estar concluída, verifique se não existem fugas de refrigerante. Se ocorrer uma fuga de refrigerante no compartimento e entrar em contacto com uma chama proveniente de outro dispositivo, serão libertados gases tóxicos.
- Assegure-se de que liga os cabos de alimentação e os fios de ligação das unidades interiores, das unidades exteriores e das caixas de derivação directamente às unidades (sem ligações intermediárias). As ligações intermediárias podem originar erros de comunicação se entrar água nos cabos ou fios e causar um isolamento insuficiente da ligação à terra ou um mau contacto eléctrico no ponto da ligação intermediária. (Se for necessária uma ligação intermediária, assegure-se de que toma medidas para evitar que entre água para os cabos e fios.)

Após ter concluído a instalação, explique as “Precauções de Segurança”, a utilização e a manutenção da unidade ao cliente, de acordo com as informações do Manual de Funcionamento, e efectue um ensaio para verificar se a unidade está a funcionar correctamente. O Manual de Instalação e o Manual de Funcionamento devem ser fornecidos ao utilizador, para que este os guarde. Os referidos manuais deverão ser fornecidos a utilizadores futuros.

⚡ : Indica uma peça a ligar à terra.

⚠ Aviso:

Leia atentamente os rótulos afixados na unidade principal.

⚠ Cuidado:

- Certifique-se de que os tubos do refrigerante estão devidamente isolados, de modo a evitar a condensação. O isolamento incompleto pode provocar condensação na superfície dos tubos, humidade no tecto, no pavimento e noutras propriedades importantes.
- Não use a unidade num ambiente invulgar. Se o ar condicionado estiver instalado em áreas expostas a vapor, óleo volátil (incluindo óleo de máquina), ou gás sulfúrico, áreas expostas a alto teor em sal, como a beira-mar, o desempenho pode ser significativamente reduzido e as peças interiores podem ser danificadas.
- Não instale a unidade onde gases combustíveis podem vazar, ser produzidos, fluir ou acumular. Caso se acumule gás combustível em torno da unidade, pode resultar fogo ou explosão.
- Ao instalar a unidade num hospital ou escritório de comunicações, esteja preparado para ruído e interferência electrónica. Inversores, electrodomésticos, equipamentos médicos de alta frequência e equipamentos de comunicação de rádio podem causar falha ou avaria do ar condicionado. O ar condicionado também pode afectar equipamentos médicos, perturbando os cuidados médicos, e equipamentos de comunicações, prejudicando a qualidade de exibição do ecrã.
- O isolamento térmico do tubo de refrigerante é necessário para evitar a condensação. Se o tubo de refrigerante não for devidamente isolado, forma-se condensação.
- Coloque isolamento térmico nos tubos para evitar condensação. Se o tubo de drenagem for instalado incorrectamente, podem ocorrer fugas de água e danos no tecto, pavimento, móveis, ou outros bens.
- Não limpe a unidade de ar condicionado com água. Possibilidade de choque eléctrico.
- Aperte todas as porcas de afunilamento segundo a especificação usando uma chave de torque. Se apertadas demais, as porcas podem quebrar após um período prolongado.
- Certifique-se de que instala disjuntores. Se não instalados, podem ocorrer choques eléctricos.
- Para os cabos de alimentação, use cabos padrão com capacidade suficiente. Caso contrário, pode ocorrer um curto-circuito, sobre-aquecimento ou incêndio.
- Ao instalar os cabos de alimentação, não aplique tensão nos cabos. Se as ligações ficarem soltas, os cabos podem partir ou quebrar e pode ocorrer sobre-aquecimento ou incêndio.
- Não ligue os cabos de terra a tubos de gás ou de água, hastes de iluminação ou linhas de aterramento de telefone. Se a unidade não estiver ligada correctamente à terra, podem ocorrer choques eléctricos.

2. Selecção de um local para a instalação

* A caixa de derivação destina-se apenas a uso interior.

- Certifique-se de que está instalada num local de simples acesso, de modo a facilitar a manutenção. (garanta que fica disponível o orifício ou o espaço para a manutenção.)

- Não instale perto de quartos. O som da passagem do refrigerante pela tubagem por vezes pode ser audível.
- Certifique-se de que fica localizado num local onde o ruído de funcionamento não represente um problema.

Depois de ligada a alimentação ou depois da paragem, por momentos, de uma operação, é possível escutar-se um pequeno “clique” proveniente do interior da caixa de derivação. Significa que a válvula de expansão electrónica está a abrir e fechar. A unidade não está avariada.

- Determine previamente o percurso da tubagem do refrigerante, da tubagem de drenagem e dos fios eléctricos.

- Assegure-se de que o local de instalação não obriga a exceder os limites especificados para o comprimento da tubagem do refrigerante.

• Não instale num local que esteja quente ou húmido por longos períodos de tempo.

- Por motivos de manutenção, certifique-se de que a caixa de derivação é instalada no tecto do corredor, da casa de banho, etc., onde as pessoas não estejam regularmente (Evite a instalação no centro das divisões).

* A unidade deve estar instalada num local capaz de suportar o respectivo peso.

⚠ Aviso:

Certifique-se de que a unidade está firmemente instalada num local capaz de suportar o respectivo peso. Se o tipo de instalação não for suficientemente resistente, a unidade pode cair, e tal resultar em ferimentos.

3. Confirmação dos Acessórios Fornecidos

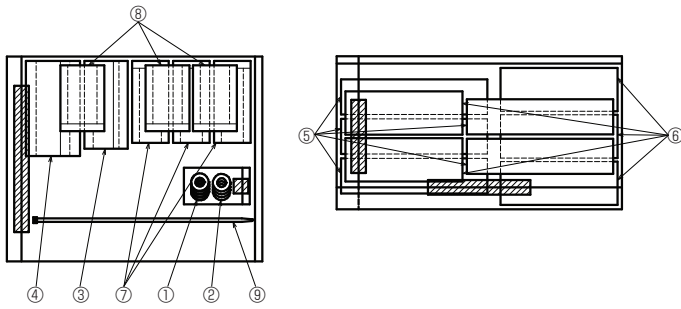


Fig. 3-1

3.1. Verifique os acessórios e os componentes da Caixa de Derivação

	Denominação do acessório	Quantidade		
		PAC-MK30BC	PAC-MK50BC	
①	Anilha (com isolamento)	4	4	
②	Anilha	4	4	
③	Revestimento do tubo (Líquido)	1	1	Para a unidade exterior
④	Revestimento do tubo (Gás)	1	1	Para a unidade exterior
⑤	Revestimento do tubo (Líquido)	3	5	Para a unidade interior
⑥	Revestimento do tubo (Gás)	3	5	Para a unidade interior
⑦	Tampa da junta (Líquido)	1	3	
⑧	Tampa da junta (Gás)	1	3	
⑨	Banda	16	24	

4. Dimensões e espaço necessário para a manutenção da Caixa de Derivação

Unões diferentes opcionais (deformadas).

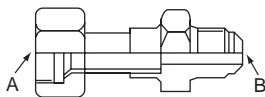


Fig. 4-1

Nome do modelo	Diâmetro dos tubos ligados	Diâmetro A	Diâmetro B
	mm		
MAC-A454JP	ø9,52 → ø12,7	ø9,52	ø12,7
MAC-A455JP	ø12,7 → ø9,52	ø12,7	ø9,52
MAC-A456JP	ø12,7 → ø15,88	ø12,7	ø15,88
PAC-493PI	ø6,35 → ø9,52	ø6,35	ø9,52
PAC-SG76RJ-E	ø9,52 → ø15,88	ø9,52	ø15,88

* Ligue duas unidades interiores ou mais a um sistema.

* Podem ser ligadas entre 1 a 2 caixas de derivação a uma unidade exterior.

* Parafuso de suspensão: W3/8 (M10)

* Ligação afunilada do tubo do refrigerante

* O tamanho da ligação de tubagens varia consoante o tipo e a capacidade das unidades interiores. Utilize ligações de tubagens com o mesmo tamanho para a unidade interior e para a caixa de derivação. Se o tamanho das ligações de tubagens da caixa de derivação e da unidade interior não for igual, utilize unões opcionais com diâmetros diferentes (deformadas) para o lado da caixa de derivação. (Ligue a união deformada directamente ao lado da caixa de derivação.)

- Ⓐ Passo do parafuso de suspensão
- Ⓑ Para unidade interior
- Ⓒ Para unidade exterior
- Ⓓ Painel de serviço (para LEV, TERMÍSTOR)
- Ⓔ Tampa eléctrica
- Ⓕ Bucha de borracha
- Ⓖ Bloco de terminais (a unidade interior na placa de controlo)
- Ⓗ Bloco de terminais (a unidade exterior)
- Ⓙ Bloco de terminais (para cabo de comunicação)
- Ⓚ Braçadeira de cabo

* Certifique-se de que a caixa de derivação está instalada conforme indicado na ilustração abaixo.

■ PAC-MK50BC (Fig.4-2)

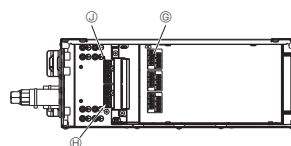
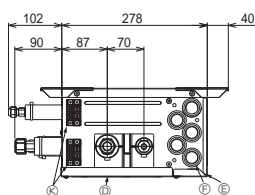
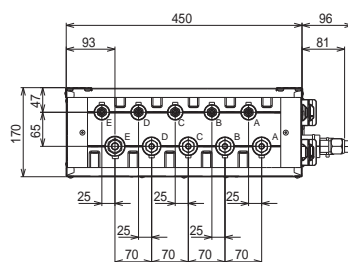
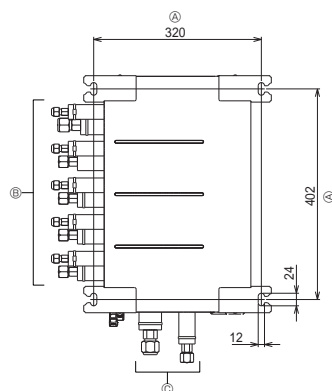
Parafuso de suspensão: W3/8 (M10)

Ligação afunilada do tubo do refrigerante

	mm					
	A	B	C	D	E	Para a unidade exterior
Liquid pipe	ø6,35	ø6,35	ø6,35	ø6,35	ø6,35	ø9,52
Gas pipe	ø9,52	ø9,52	ø9,52	ø9,52	ø12,7	ø15,88

■ PAC-MK50BC (de 5 derivações)

(mm)



Fórmula de conversão

1/4 F	ø6,35
3/8 F	ø9,52
1/2 F	ø12,7
5/8 F	ø15,88
3/4 F	ø19,05

Fig. 4-2

4. Dimensões e espaço necessário para a manutenção da Caixa de Derivação

■ PAC-MK30BC (de 3 derivações)

(mm)

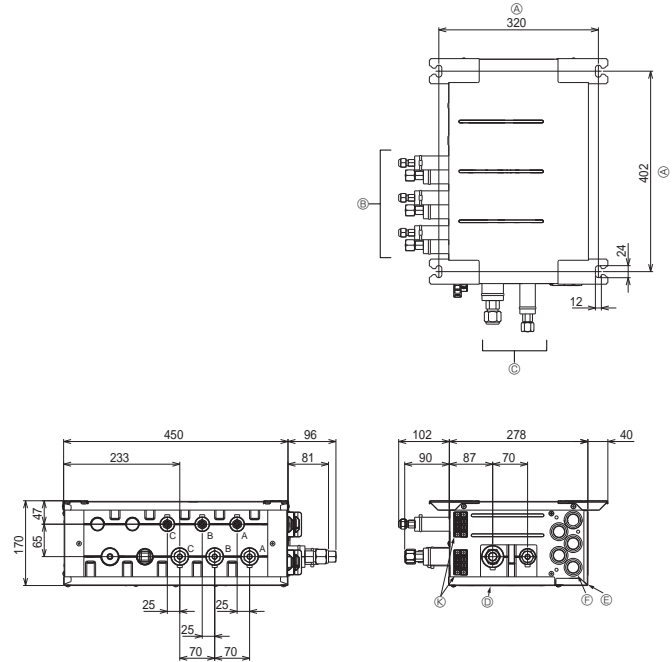


Fig. 4-3

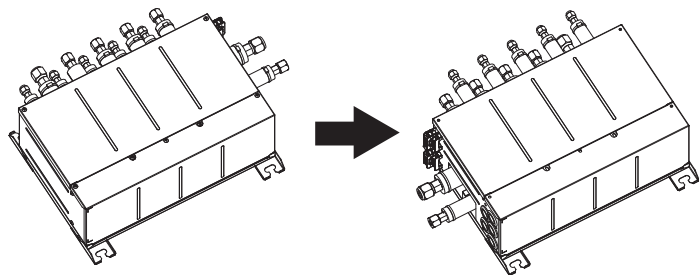
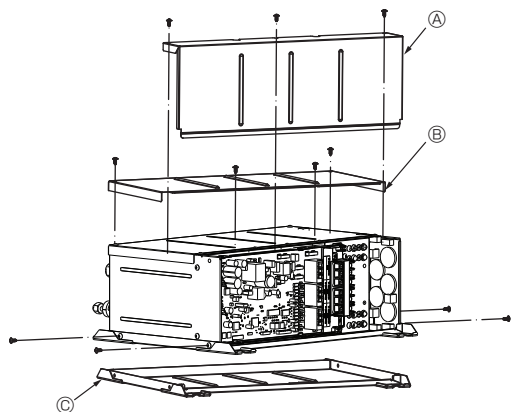


Fig. 4-4

② Remova a tampa eléctrica, o painel de serviço e o painel superior.

- Ⓐ Tampa eléctrica
- Ⓑ Painel de serviço
- Ⓒ Painel superior

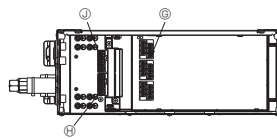


■ PAC-MK30BC (Fig.4-3)

Parafuso de suspensão: W3/8 (M10)

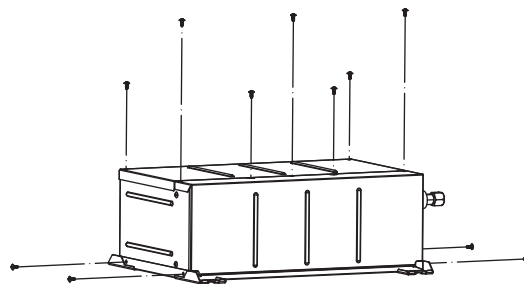
Ligação soldada do tubo de refrigerante

	mm			
	A	B	C	Para unidade exterior
Tubo de líquido	ø6,35	ø6,35	ø6,35	ø9,52
Tubo de gás	ø9,52	ø9,52	ø9,52	ø15,88



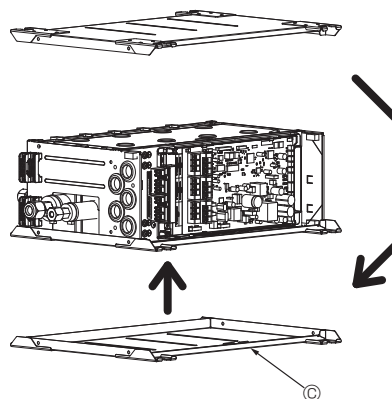
4.1. A direcção da tubagem pode ser alterada. (Fig. 4-4). [Procedimentos de trabalho] (Fig. 4-5)

① Remova os parafusos em cada parte.



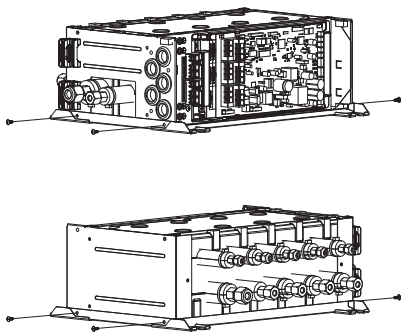
③ Instale o painel superior na superfície contrária.

- Ⓒ Painel superior



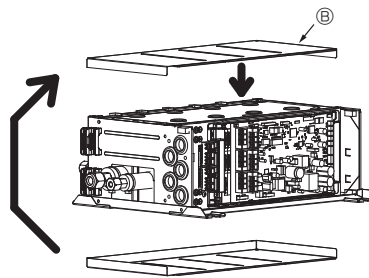
4. Dimensões e espaço necessário para a manutenção da Caixa de Derivação

④ Aperte os parafusos em cada peça.

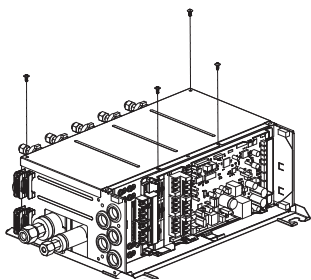


⑤ Instale o painel de serviço na superfície contrária.

ⓑ Painel de serviço

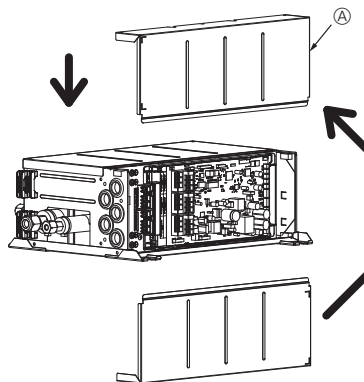


⑥ Aperte os parafusos.



⑦ Instale a tampa eléctrica na superfície contrária.

Ⓐ Tampa eléctrica



⑧ Aperte os parafusos.

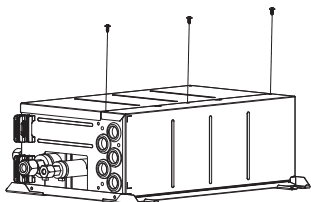


Fig. 4-5

4. Dimensões e espaço necessário para a manutenção da Caixa de Derivação

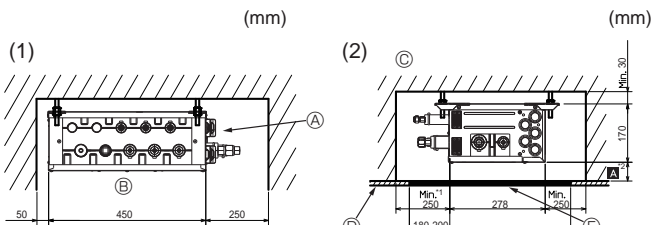


Fig. 4-6

Fig. 4-7

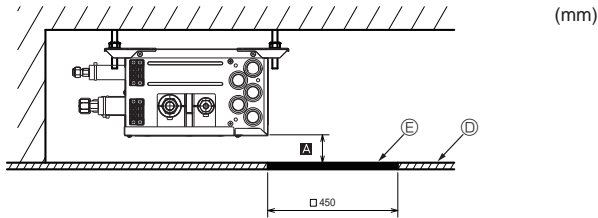


Fig. 4-8

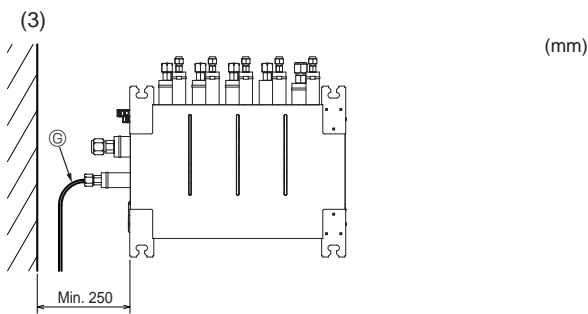


Fig. 4-9

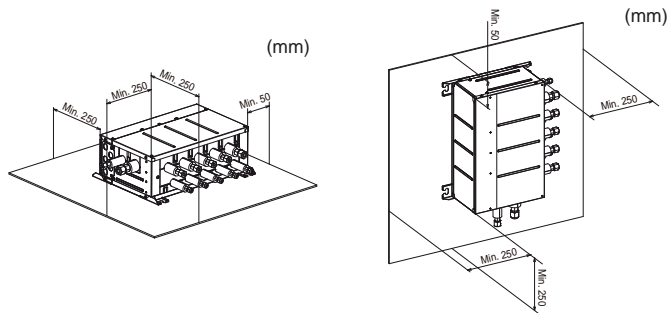


Fig. 4-10

Fig. 4-11

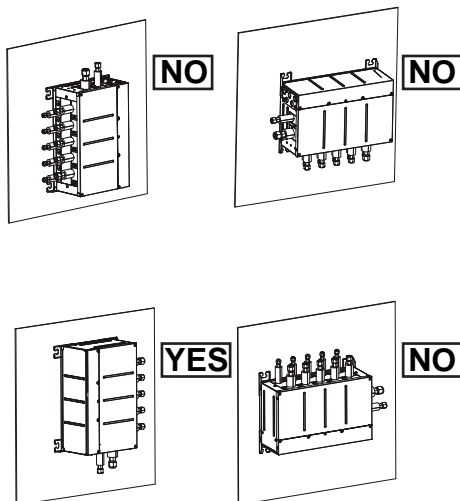


Fig. 4-12

4.2. Espaço necessário para a Instalação e manutenção

I. O espaço ao instalar com os parafusos de suspensão.

(1) Vista Frontal (Fig. 4-6)

- Ⓐ Caixa de derivação
- Ⓑ Do lado da tubagem

(2) Vista Lateral (Fig. 4-7, Fig. 4-8)

- Ⓒ Para instalações interiores
- Ⓓ Painel do tecto
- Ⓔ Orifício de manutenção

*1: É necessário um raio mínimo de 350 mm para as dobras de 90° na tubagem do refrigerante.

*2: Ⓐ é "Mín. 200 mm" <recomendação>.

No caso de menos de 200 mm (por exemplo, Ⓐ é 100 mm), o trabalho de troca da caixa de derivação a partir do orifício de manutenção torna-se difícil (apenas é possível o trabalho de troca de uma PCB, bobines de válvula de expansão linear, sensores e recipiente de drenagem).

*3: Ⓑ é "□ 600 mm" <recomendação>.

No caso de "□ 450", prepare um orifício de manutenção num lado da PCB (como mostrado na Fig. 4-8), e "Mín. 300 mm" é necessário como distância Ⓐ.

No caso de menos de 300 mm (por exemplo, Ⓐ é 100 mm), o trabalho de troca da caixa de derivação, bobines de válvula de expansão linear, sensores e recipiente de drenagem a partir do orifício de manutenção torna-se difícil (apenas é possível o trabalho de troca de uma PCB).

(3) Vista Superior (Fig. 4-9)

- Ⓒ Tubagem do refrigerante

II. O espaço ao instalar no chão. (Fig. 4-10)

III. O espaço ao instalar numa parede. (Fig. 4-11)

A direcção de instalação é limitada ao instalar numa parede. (Fig. 4-12)

Quando instalar a unidade na parede, instale a tubagem ligada à unidade exterior virada para baixo. Não são aceitáveis outras formas.

5. Tubagem do refrigerante

* Siga sempre as especificações descritas no manual de instalação da unidade exterior. O facto de exceder estes requisitos pode originar um desempenho reduzido do equipamento, assim como provocar avarias.

6. Montagem da Caixa de Derivação

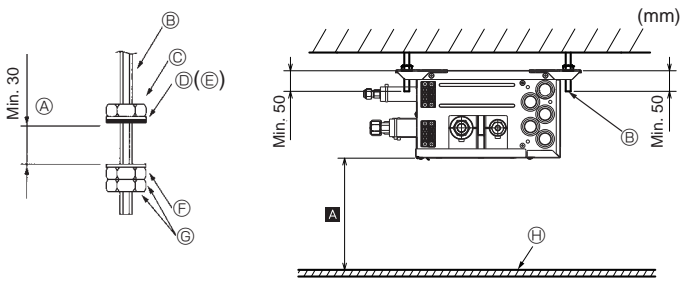


Fig. 6-1

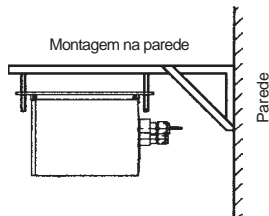


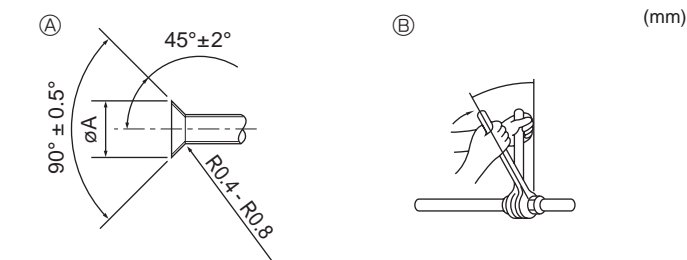
Fig. 6-2

* Adquirir localmente um suporte apropriado, se tiver que montar a unidade numa parede.

- (1) Instale os parafusos de suspensão (adquirir localmente) à distância especificada (Fig. 4-2, 4-3).
- (2) Coloque as anilhas e as porcas (1, 2, adquirir localmente) nos parafusos de suspensão. (Fig. 6-1)
- (3) Pendure a unidade nos parafusos de suspensão.
- (4) Aperte completamente as porcas (verifique a distância do tecto).
- (5) Utilize um nivelador para colocar a caixa de derivação na horizontal.

- (A) Com a unidade pendurada e as porcas apertadas
 (B) Parafuso de suspensão
 (C) Porcas
 (D) Anilha (com almofada) ①
 (E) Certifique-se de que a almofada fica voltada para baixo
 (F) Anilha (sem almofada) ②
 (G) Porca (adquirir localmente)
 (H) Painel do tecto

7. Instalação da tubagem do refrigerante



- (A) Dimensões do corte de afunilamento
 (B) Binário de aperto da porca afunilada

Fig. 7-1

- (A) Dimensões do corte de afunilamento

Tabela 1

Tubo de cobre O.D. (mm)	Dimensões de afunilamento ϕA dimensões (mm)
$\phi 6,35$	8,7-9,1
$\phi 9,52$	12,8-13,2
$\phi 12,7$	16,2-16,6
$\phi 15,88$	19,3-19,7

- (B) Binário de aperto da porca afunilada

Tabela 2

Tubo de cobre O.D. (mm)	Porca afunilada O.D. (mm)	Binário de Aperto (N•m)
$\phi 6,35$	17	14-18
$\phi 6,35$	22	34-42
$\phi 9,52$	22	34-42
$\phi 12,7$	26	49-61
$\phi 12,7$	29	68-82
$\phi 15,88$	29	68-82
$\phi 15,88$	36	100-120

- ▶ Ligue os tubos de líquido e de gás de cada unidade interior aos mesmos números da ligação final, conforme indicado na secção de ligação de alargamento da unidade interior de cada Caixa de Derivação. Se a ligação for feita aos números incorrectos da ligação final, não irá funcionar normalmente.

- ▶ Ao ligar as unidades interiores, certifique-se de que liga os tubos do refrigerante e os cabos de ligação às portas de ligação apropriadas, marcadas com letras correspondentes. (Ex.º: A, B, C, D, E)

Nota:

Marque a tubagem do refrigerante de todos os locais (tubos de líquido, tubos de gás, etc.) para cada unidade interior, designando claramente a que divisão pertencem. (Ex.º: A, B, C, D, E)

- ▶ Registe os modelos da unidade interior na placa de identificação da caixa de controlo da Caixa de Derivação (para fins de identificação).

- Realize trabalho suficiente de anti-condensação e isolamento para evitar o gotejamento da água da tubagem do refrigerante. (tubo de líquido/tubo de gás)
- Aumente o isolamento dependendo do ambiente onde a tubagem de refrigerante está instalada, ou pode ocorrer condensação na superfície do material de isolamento. (Material de isolamento resistente ao calor, temperatura: 120 °C, espessura: 15 mm ou mais.)

* Quando a tubagem de refrigerante é utilizada em locais sujeitos a altas temperaturas e humidade, como no sótão, pode ser necessário mais adição de isolamento.

- Para isolar a tubagem de refrigerante, aplique espuma de polietileno resistente ao calor entre a unidade interior e o material de isolamento, bem como para a rede entre o material de isolamento que preenche todas as falhas. (Formação de condensação na tubagem pode resultar em condensação no quarto ou queima quando entra em contacto com a tubagem.)

- ▶ Ao utilizar tubagem do refrigerante disponível no mercado, verifique se os tubos de líquido e de gás estão revestidos com materiais de isolamento térmico também disponíveis no mercado (materiais de isolamento com 12 mm de espessura, no mínimo, e capazes de suportar temperaturas acima de 100° C).
- ▶ Consulte o manual de instalação da unidade exterior ao criar vácuo e abrir e fechar válvulas.

- (1) Retire as porcas afuniladas e as tampas da caixa de derivação.
- (2) Afunile as pontas da tubagem de líquido e de gás, aplicando óleo refrigerante (adquirir localmente) no encaixe afunilado. Não aplique óleo para a parte rosqueada.
- (3) Ligue imediatamente a tubagem do refrigerante. Deve sempre apertar as porcas afuniladas segundo o binário de aperto especificado na tabela abaixo, utilizando uma chave de binário e uma chave de bocas.
- (4) Pressione os revestimentos ③ e ⑤ da tubagem de líquido contra a unidade e envolva-os de modo a ficarem na devida posição. (Fig. 7-3)
- (5) Pressione os revestimentos ④ e ⑥ da tubagem de gás contra a unidade e envolva-os de modo a ficarem na devida posição. (Fig. 7-3)
- (6) Coloque as bandas ⑨ fornecidas a 10 - 20 mm de cada extremidade dos revestimentos dos tubos (③④⑤⑥).
- (7) Se a unidade interior não estiver ligada, encaixe os revestimentos da tubagem fornecidos (com tampas, ⑦ e ⑧) nas ligações da tubagem do refrigerante da caixa de derivação, de modo a evitar o gotejamento de condensação proveniente dos tubos. (Fig. 7-4)
- (8) Fixe os revestimentos da tubagem (⑦ ⑧) na devida posição, com as bandas ⑨ fornecidas.

7. Instalação da tubagem do refrigerante

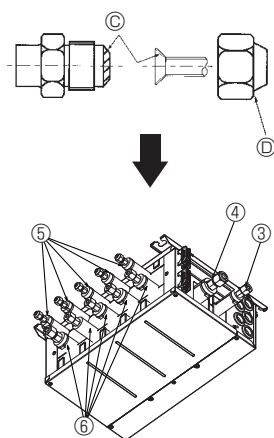


Fig. 7-2

⚠ Cuidado:

Aperte a porca afunilada com uma chave de binário, utilizando o método especificado.

Se apertar a porca afunilada em demasia, esta poderá partir e provocar fugas de refrigerante.

- ⓐ Aplique óleo refrigerante em toda a (Fig. 7-2) superfície do encaixe afunilado.
- ⓑ Utilize basicamente porcas afuniladas encaixadas na estrutura (as porcas afuniladas disponíveis no mercado podem rachar).

Nota:

É necessário uma porca afunilada especial (opcional ou instalada na unidade interior) para algumas unidades interiores. Para mais detalhes, consulte o manual de instalação da unidade exterior e da unidade interior.

- ⓕ Banda ⑨
- ⓖ Revestimentos dos tubos ③④⑤⑥
- ⓗ Apertar
- ⓙ Tubagem do refrigerante
- Ⓛ Isolamento térmico para a tubagem do refrigerante

▶ Execute os procedimentos que se seguem para os componentes da caixa de derivação que não estão ligados a uma unidade interior. (Fig. 7-4)

- (1) Para evitar fugas de refrigerante, certifique-se de que as porcas afuniladas estão apertadas de acordo com os binários de aperto especificados* na Tabela 3.
 - * É possível que também haja fugas de refrigerante se apertar as porcas afuniladas a binários superiores aos especificados.
- (2) De modo a evitar condensação, instale os revestimentos ⑦ ⑧ da tubagem e aperte-os com as bandas fornecidas ⑨.

Tabela 3

Dimensões para as aberturas da caixa de derivação para ligação das unidades interiores (mm)	Tightening torque (N•m)
∅6,35	13 ± 2
∅9,52	30 ± 2
∅12,7	50 ± 2

▶ Colocação de refrigerante:

Consulte o manual de instalação da unidade exterior.

Só deve utilizar refrigerante R410A (a utilização de outros refrigerantes pode causar problemas).

⚠ Cuidado:

Para evitar a pressão excessiva na caixa de derivação, suporte a tubagem com um ou mais suporte(s) de 1,5 m ou menos a partir da caixa de derivação. Consulte a Fig. 7-5 como exemplo.

- ⓙ Tubagem de refrigerante
- Ⓛ Isolamento térmico para tubagem de refrigerante

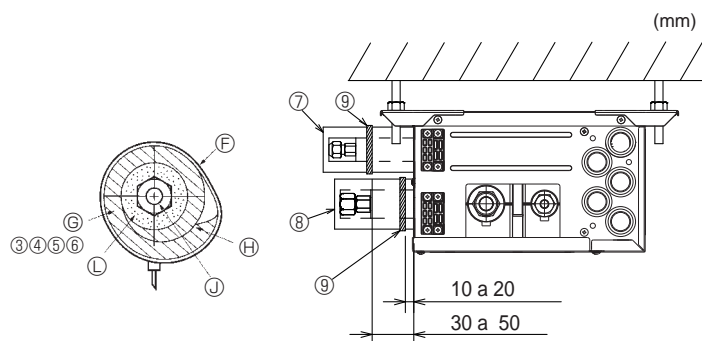


Fig. 7-3

Fig. 7-4

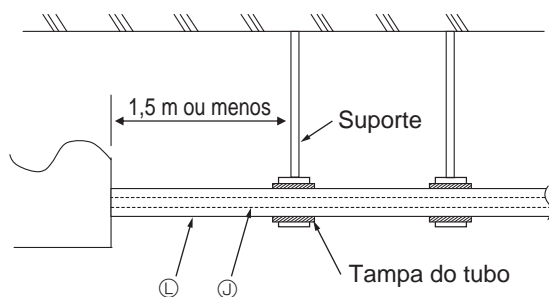


Fig. 7-5

8. Trabalho eléctrico

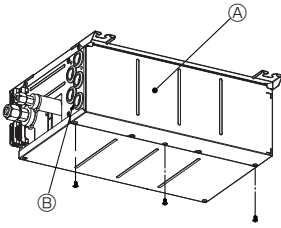


Fig. 8-1

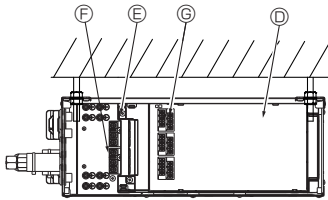


Fig. 8-3

- Ⓐ Tampa eléctrica
- Ⓑ Bucha de borracha
- Ⓒ Cablagem
- Ⓓ Placa do controlador
- Ⓔ Bloco de terminais: TB5
- Ⓕ Bloco de terminais: TB2B <Para unidade exterior>
- Ⓖ Bloco de terminais: TB3A-TB3E <Para unidade interior>
- Ⓗ Terminal Terra <Para unidade exterior>

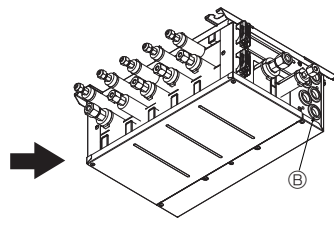


Fig. 8-2

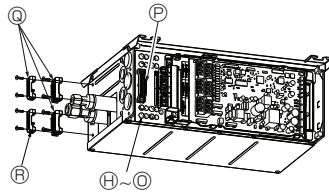


Fig. 8-4

- Ⓚ Terminal Terra <Para TB3A>
- Ⓛ Terminal Terra <Para TB3B>
- Ⓜ Terminal Terra <Para TB3D>
- Ⓝ Terminal Terra <Para TB3C>
- Ⓟ Terminal Terra <Para TB3E>
- Ⓞ Terminal Terra <Para outra caixa de derivação>
- Ⓠ Braçadeira de cabo <Para TB2B>
- Ⓡ Braçadeira de cabo <Para TB3A-TB3E>
- Ⓢ Braçadeira de cabo <Para TB5>

► Cuidados a ter nos trabalhos eléctricos

⚠ Aviso:

- Utilize sempre circuitos dedicados à voltagem nominal e com disjuntores. Se a capacidade dos circuitos de alimentação não for suficiente e o trabalho de instalação não for levado a cabo correctamente, tal pode resultar em choques eléctricos ou incêndio.

⚠ Cuidado:

- Não se esqueça de fazer uma ligação à terra. Não faça a ligação à terra da unidade a um tubo dos serviços, pára-raios ou à ligação terra do telefone.

Uma má ligação à terra pode provocar choques eléctricos. A sobretensão provocada pela corrente dos relâmpagos ou de outras fontes pode causar danos ao condicionador de ar.

- Utilize a instalação eléctrica especificada e certifique-se de que está devidamente ligada e de que não se encontra sob tensão.

O incumprimento destes requisitos pode resultar em ligações eléctricas imperfeitas, aquecimento ou incêndio.

- Antes de ligar a Caixa de derivação, certifique-se de que ajusta os comutadores.

- Para ligar a corrente, ligue a Caixa de derivação, em seguida, a unidade exterior, por essa ordem.

(No caso de as fontes de alimentação para a Caixa de derivação e a unidade exterior serem separadas)

- A ligação eléctrica entre a caixa de derivação e a unidade exterior e entre a caixa de derivação e as unidades interiores funciona ao mesmo tempo como fonte de alimentação e cabo de sinal. Faça esta ligação de acordo com os números do bloco terminal, para assegurar a polaridade correcta.

- Certifique-se de que a cada unidade interior estão ligadas a tubagem do refrigerante e a instalação eléctrica apropriadas. Uma ligação eléctrica incorrecta vai interferir com o correcto funcionamento da unidade.

► Ligue os tubos do refrigerante e as ligações eléctricas às portas apropriadas, marcadas com as letras correspondentes (Ex.º: A, B, C, D, E) nesta unidade.

- Primeiro, ligue o cabo da fonte de alimentação da unidade exterior.

- Deve sempre fixar os fios terra separadamente, com um parafuso para ligações à terra.

- Para evitar que a ligação eléctrica instalada no tecto seja roída por ratos, etc., esta deve ser instalada dentro de uma canalização de electricidade.

1. Retire os parafusos da tampa. (Fig. 8-1)
2. Passe a cablagem para o interior da caixa de derivação, cada fio no lugar com uma braçadeira de cablagem.
3. Ligue firmemente todos os fios ao bloco terminal apropriado. (Fig. 8-8)
4. Ajuste o comutador DIP. (Consulte 8.3)
5. Recoloque a tampa eléctrica.

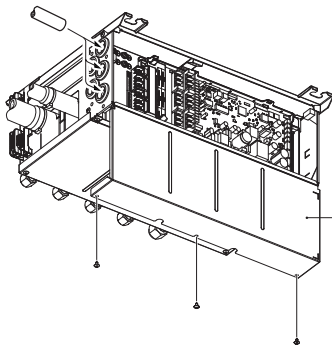


Fig. 8-5

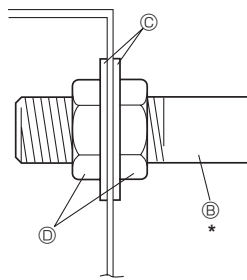


Fig. 8-6

8.1. Quando utilizar uma canalização de electricidade (Fig. 8-5,6,7)

Volte a colocar a tampa horizontal quando a canalização de electricidade estiver fixa.

- Ⓐ Tampa
- Ⓑ Canalização de electricidade
- Ⓒ Anilha
- Ⓓ Porca

Pode ser utilizada canalização de electricidade com até 1" de diâmetro externo.

- (1) Quando utilizar canalização de electricidade com 1" de diâmetro externo, retire o isolador passante e fixe-a à caixa de derivação. Retire a tampa horizontal ao fazer a fixação à caixa de derivação.

- (2) Quando utilizar canalização de electricidade com 3/4" de diâmetro externo ou menos, faça um pequeno corte no isolador passante e insira a canalização de electricidade aproximadamente 100 mm para o interior da caixa de derivação.

* Volte a colocar a tampa horizontal quando a canalização de electricidade estiver fixa.

⚠ Cuidado:

Para evitar a pressão excessiva na caixa de derivação, suporte a conduta de cablagem Ⓑ com um ou mais suporte(s) a 1,5 m ou menos da caixa de derivação. Consulte a figura. 8-7 como exemplo.

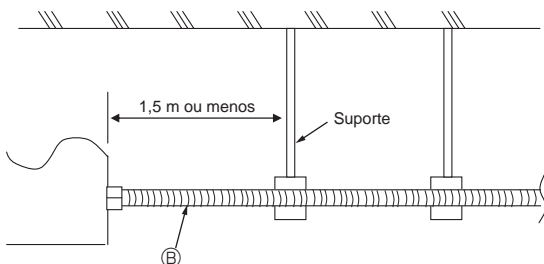


Fig. 8-7

8. Trabalho eléctrico

■ Fornecer energia separadamente à caixa de derivação e à unidade exterior

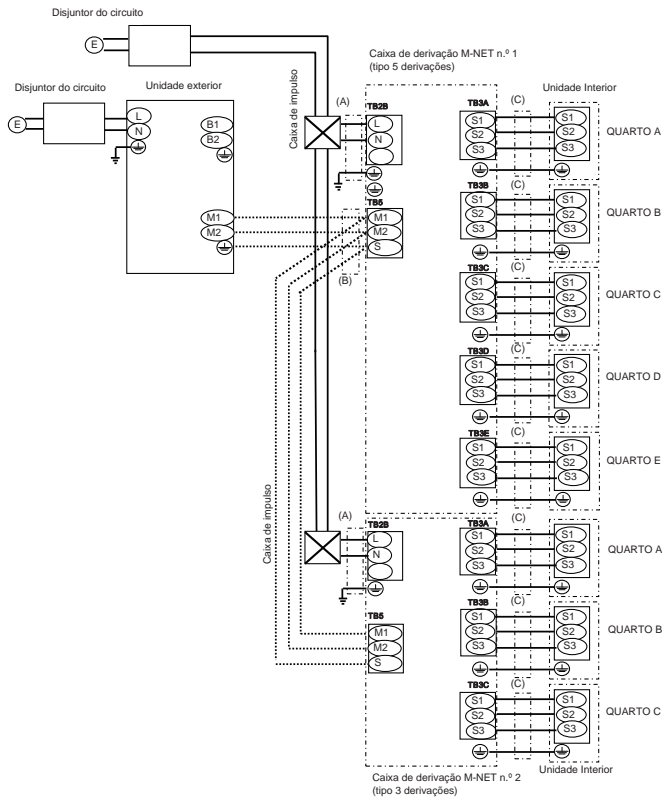
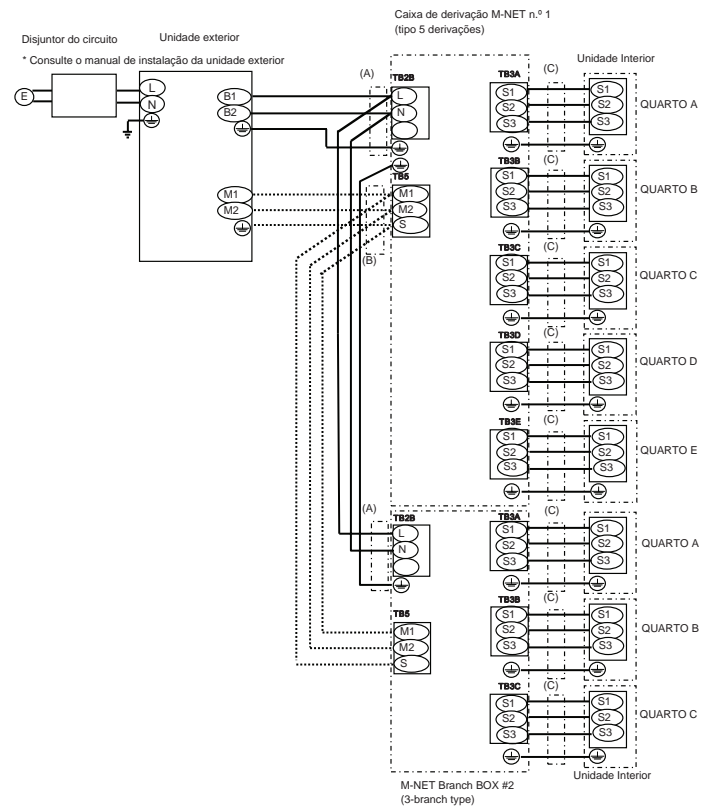


Fig. 8-8

8.2. Procedimento de cablagem externa (Fig. 8-8, Fig 8-9)

■ Fonte de alimentação da Unidade exterior



Ⓔ Fonte de alimentação: monofásica 220/230/240 V 50 Hz, 220 V 60 Hz

Nota:

- 1 Ligue as linhas (B), (C), de acordo com os nomes do bloco de terminais para assegurar a polaridade correcta.
- 2 Tal como para as linhas (C), S1 e S2 são para ligar a fonte de alimentação. E S2 e S3 são para sinais. S2 é um cabo comum para a fonte de alimentação e sinal.

Diâmetro do fio		
(A) Linha de alimentação principal/linha de terra	(B) Cabo M-NET Fio de blindagem CVVS ou CPEVS	(C) Linha do sinal/linha de terra
3 núcleos, 2,5 mm ²	2 núcleos 1,25 mm ² Inferior a 200 m	4 núcleos 1,5 mm ² Inferior a 25 m

- Ao usar o fio torcido para a cablagem, é necessário o uso do terminal redondo.
- Notas: 1. A dimensão da cablagem deve estar em conformidade com a legislação local e nacional aplicável.
2. Os cabos de alimentação e os cabos de ligação da unidade interior/ caixa de derivação/unidade exterior não devem ser inferiores a cabos flexíveis revestidos a policloropreno. (Tipo 60245 IEC 57)
 3. Instale um fio de terra mais comprido do que os cabos de alimentação.
 4. Do not bundle the M-NET cable with the connection cable and power supply cable. It may cause erroneous operation.

⚠ Atenção:

Nunca junte o cabo, caso contrário, pode resultar em fumo, incêndio ou falha de comunicação.

Caixa de derivação M-NET (tipo 5 derivações)

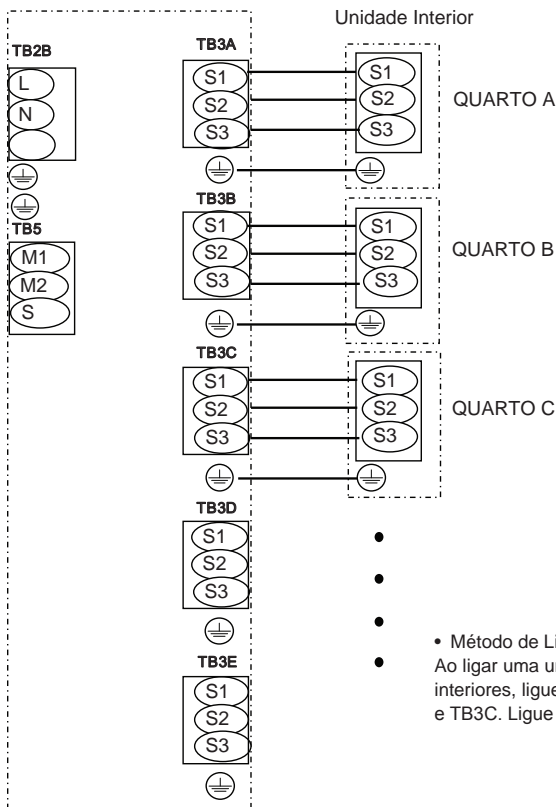


Fig. 8-9

• Método de Ligação Recomendado

Ao ligar uma unidade interior à caixa de derivação, ligue-a ao TB3A. Ao ligar 2 unidades interiores, ligue-as ao TB3A e TB3B. Ao ligar 3 unidades interiores, ligue-as ao TB3A, TB3B e TB3C. Ligue unidades interiores pela ordem de A→B→C→D→E.

8. Trabalho eléctrico

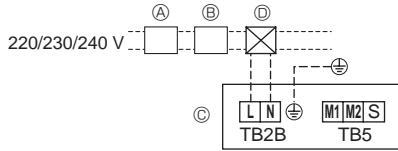


Fig. 8-10

■ Cablagem da fonte de alimentação (fornecer energia separadamente à caixa de derivação e à unidade exterior)

- Instale uma linha de terra mais comprida do que os outros cabos.
- Os fios da fonte de alimentação do aparelho não devem ser mais leves do que o design 245IEC57 ou 227IEC57, 245 IEC 53 ou 227 IEC 53.
- Um comutador com pelo menos 3 mm, separação de contacto de 1/8 pol. em cada pólo, será fornecido pela instalação do aparelho de ar condicionado.

[Fig. 8-10]

- Ⓐ Corta-circuito em caso de falha na terra
- Ⓑ Comutador local/Disjuntor de cablagem
- Ⓒ Caixa de derivação
- Ⓓ Caixa de impulso

Corrente operacional total da unidade Interior	Espessura mínima do fio (mm ² /AWG)					Disjuntor para cablagem (NFB)	Corta-circuito em caso de falha na terra *1
	Cabo principal	Derivação	Terra	Capacidade	Fusível		
F0 = 15A ou inferior *2	2,1/14	2,1/14	2,1/14	15	15	15	15A sensibilidade actual *3
F0 = 20A ou inferior *2	3,3/12	3,3/12	3,3/12	20	20	20	20A sensibilidade actual *3
F0 = 30A ou inferior *2	5,3/10	5,3/10	5,3/10	30	30	30	30A sensibilidade actual *3

Consultar IEC61000-3-3 sobre impedância máx. permissiva do sistema.

*1 O Corta-circuito em caso de falha na terra deve apoiar o circuito inversor.

O Corta-circuito em caso de falha na terra deve combinar o uso do comutador local ou disjuntor da cablagem.

*2 Escolha o maior de F1 ou F2 como o valor para F0.

F1 = Corrente máxima total de operação das unidades interiores x 1,2

F2 = (V1/C)

Ligar a Caixa de derivação (PAC-MK*BC)

Unidade Interior	V1	V2
Tipo 1 SEZ-KD*VA, PCA-RP*KAQ, PLA-ZRP*BA(.UK)	19,8	2,4
Tipo 2 PEAD-RP*JAQ(L).UK	26,9	
Tipo 3 MLZ-KA*VA, SLZ-KA*VAQ(L)3	9,9	
Tipo 4 MSZ-FH*VE, MSZ-SF*VE, MSZ-EF*VE, MSZ-SF*VA	6,8	
Tipo 5 MFZ-KJ*VE	7,4	
Tipo 6 Branch box (PAC-MK*BC)	5,1	

Ligar a Kit de ligação (PAC-LV11M)

Unidade Interior	V1	V2
Tipo 1 MSY-EF*VE, MSY-GE*VA, MSY-GH, MSZ-GE*VA, MSZ-SF*VA, MSZ-SF*VE, MSZ-EF*VE, MSZ-FH*VE	6,8	2,4
Tipo 2 MFZ-KJ*VE	7,4	
Tipo 3 Connection kit (PAC-LV11M)	3,5	

Unidade Interior	V1	V2
Tipo 1 PMFY-VBM, PLFY-VBM, PEFY-VMS1, PCFY-VKM, PKFY-VHM, PKFY-VKM, PFFY-VLRMM, PFFY-VKM	19,8	2,4
Tipo 2 PLFY-VCM	9,9	
Tipo 4 PKFY-VBM	3,5	1,6
Tipo 5 PEFY-VMA	38,0	
Tipo 6 PLFY-VLMD, PEFY-VMH, PEFY-VMR, PDFY-VM, PFFY-VLEM, PFFY-VLRM	0	

C : Múltiplo de corrente de disparo no tempo de disparo de 0,01s

Escolha "C" do disparo característico do disjuntor.

*Condição da Caixa de derivação x 2 + SEZ-KD*VA x 5, C=8 (consultar gráfico e exemplo à direita)

$$F2 = 5,1 \times 2/8 + 19,8 \times 5/8$$

$$= 14,9$$

→ Disjuntor de 16 A (Corrente de disparo = 8 x 16 A a 0,01s)

*3 sensibilidade corrente é calculado através da seguinte fórmula.

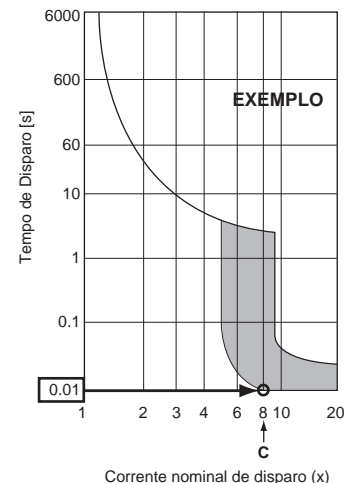
$$G1 = V2 + V3 \times (\text{Comprimento do fio [km]})$$

G1	Sensibilidade actual
30 ou menos	30 mA 0,1 seg ou menos
100 ou menos	100 mA 0,1 seg ou menos

Espessura do fio (mm ² /AWG)	V3
2,1/14	48
3,3/12	56
5,3/10	66

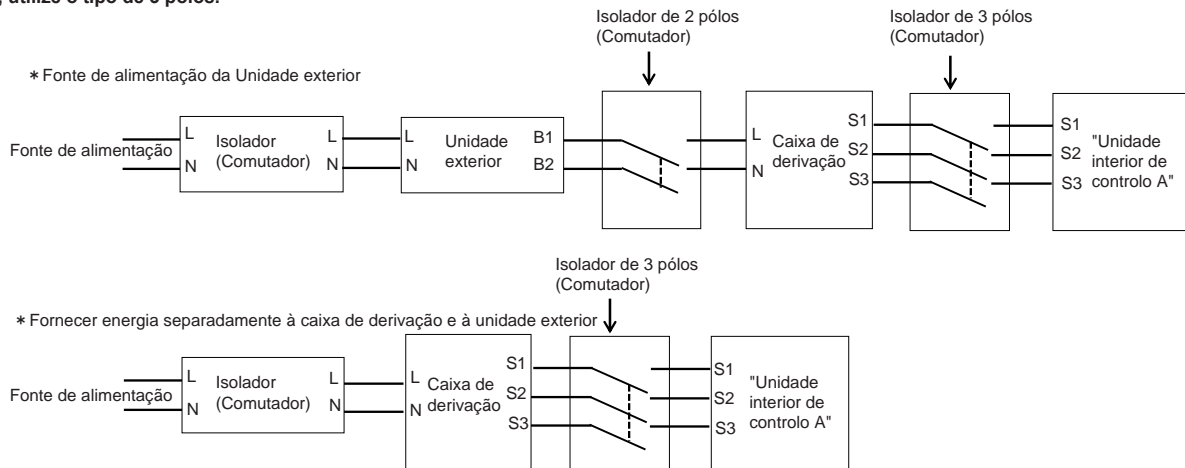
	V2
Unidade Interior	2,4
Caixa de derivação	3,0

Gráfico de exemplo



⚠ Atenção:

no caso da cablagem de controlo A, existe um potencial de alta tensão no terminal S3 causado pelo desenho do circuito eléctrico que não tem isolamento eléctrico entre a linha de energia e linha de sinal de comunicação. Portanto, por favor, desligue a fonte de alimentação principal durante a manutenção. E não toque nos terminais S1, S2 e S3 quando a energia é ligada. Se o isolador tiver de ser utilizado entre a unidade exterior e a caixa de derivação/unidade interior e caixa de derivação, utilize o tipo de 3 pólos.

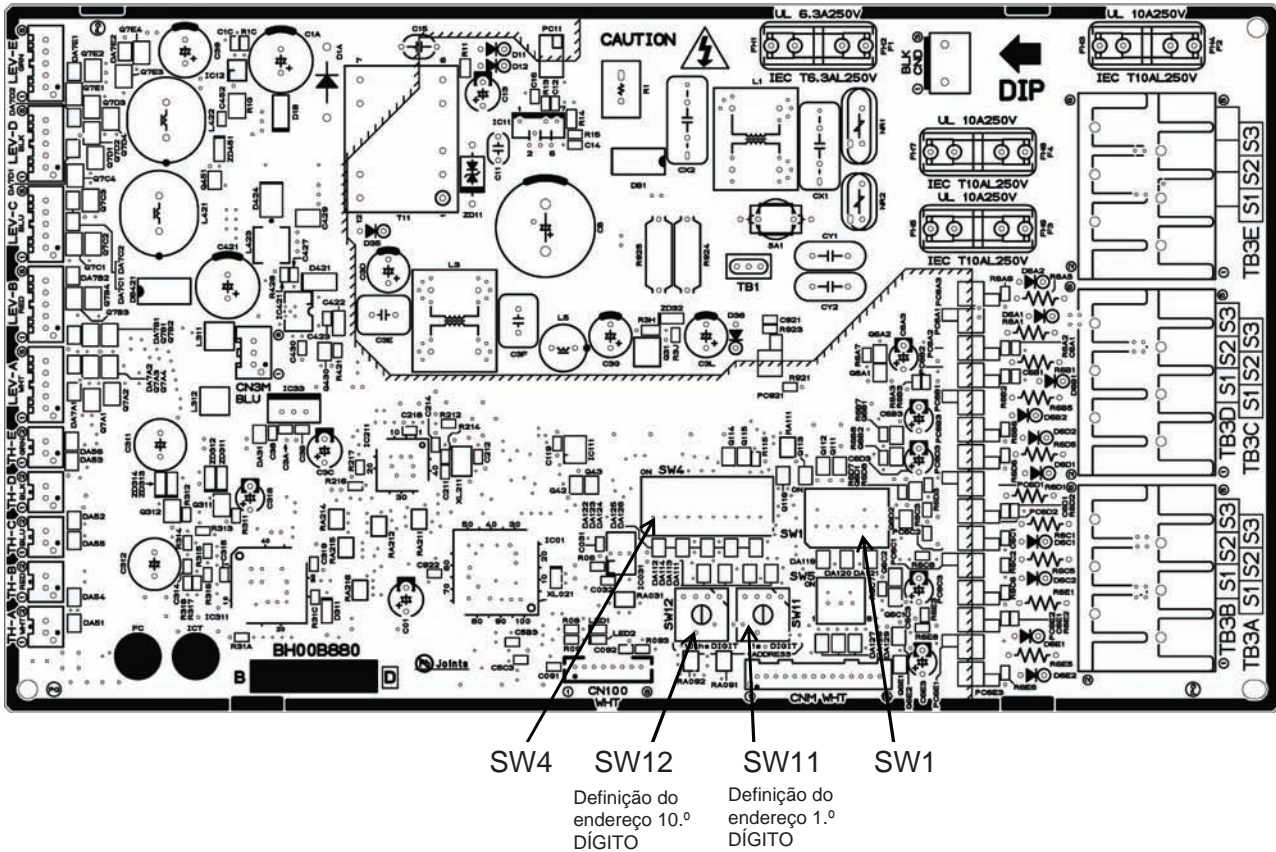


⚠ Atenção:

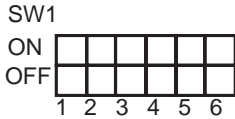
depois de usar o isolador, certifique-se de que desliga e liga a fonte de alimentação principal para reiniciar o sistema. Caso contrário, a unidade exterior poderá não poder ser capaz de detectar a(s) caixa(s) de derivação(ões) ou unidades interiores.

8. Trabalho eléctrico

8.3. Definição do comutador



Definição do comutador DIP (efectivo apenas antes de ligar a corrente)



Unidade Interior A
 Unidade Interior B
 Unidade Interior C
 Unidade Interior D
 Unidade Interior E
 Não atribuído

Comutador	OFF	ON
SW1-1	Não	Sim
SW1-2	Não	Sim
SW1-3	Não	Sim
SW1-4	Não	Sim
SW1-5	Não	Sim
SW1-6		

Comutador de endereço (efectivo apenas antes de ligar a corrente)

A definição do endereço da unidade interior real varia em diferentes sistemas. Consulte o manual de instalação para a unidade exterior para obter detalhes sobre como fazer a definição do endereço. Cada endereço é definido com uma combinação das definições para o 10.º dígito e o 1.º dígito.

(Exemplo)

- Quando definir o endereço para "3", defina o 1.º dígito para 3 e o 10.º dígito para 0.
- Quando definir o endereço para "25", defina o 1.º dígito para 5 e o 10.º dígito para 2.

(Exemplo)

- Ao definir o endereço da CAIXA derivação para "3", é atribuído um endereço a cada unidade interior, a começar pela Unidade A, conforme mostrado abaixo, independentemente de cada unidade interior estar ligada ou não. (SW1-1 ~ 5 ON)

Unidade Interior A Endereço 3
 Unidade Interior B Endereço 4
 Unidade Interior C Endereço 5
 Unidade Interior D Endereço 6
 Unidade Interior E Endereço 7

- Quando o endereço é definido como "25" e também três unidades interiores (Unidade A, Unidade C e Unidade E) estão ligadas. (SW1-1, 1-3, 1-5 ON)

Unidade Interior A Endereço 25
 Unidade Interior C Endereço 26
 Unidade Interior E Endereço 27

9. Teste de funcionamento

- Consulte a secção "Teste de funcionamento" do manual de instalação das unidades interior e unidade exterior.
- Quando a caixa de derivação e a fonte de alimentação exterior são separadas, ligue a alimentação da caixa de derivação em primeiro lugar, e, em seguida, ligue a alimentação da unidade exterior.

Depois de a energia ser fornecida ou após uma paragem de funcionamento por uns instantes, pode ser ouvido um pequeno estalido vindo do interior da caixa de derivação. A válvula de expansão electrónica está a abrir e a fechar. A unidade não está com defeito.

- Certifique-se de que realiza o teste de funcionamento no modo de arrefecimento para cada unidade interior. Certifique-se de que cada unidade interior funciona adequadamente, seguindo o manual de instalação que acompanha a unidade.
- Se executar o teste de funcionamento para todas as unidades interiores de uma só vez, não pode detectar qualquer ligação errónea, se existente, dos tubos de refrigerante e dos fios de ligação da unidade interior/exterior.
- Para verificar a cablagem inadequada, realize o teste de funcionamento para cada unidade interior individualmente.

⚠ Atenção:

- Use o controlador remoto para operar a unidade interior.
- Os seguintes sintomas não são avarias.

Sintoma	Causa	Visor LED da unidade interior *
A unidade interior não funciona mesmo se definido para o funcionamento em arrefecimento (aquecimento)	O funcionamento em arrefecimento (aquecimento) não pode ser operado quando o funcionamento em aquecimento (arrefecimento) de outra unidade interior está a funcionar.	Espera (para multi-sistema)
A ventoinha da unidade interior pára durante o funcionamento do aquecimento	A ventoinha pára durante o funcionamento de descongelamento.	-
	A ventoinha pára quando o modo de recolha de refrigerante ** está activado.	Espera (para multi-sistema)

* Consulte o manual de funcionamento de unidades interiores para mais detalhes.

** Este modo é activado durante aproximadamente 1 minuto para ajudar a evitar uma administração insuficiente de refrigerante durante o funcionamento do aquecimento quando o refrigerante é armazenado numa unidade interior que foi desligada ou termo-desligada.

Indholdsfortegnelse

1. Sikkerhedsforanstaltninger	98	6. Montering af forgreningsdåsen	103
2. Valg af monteringssted	98	7. Installation af kølemiddelrør	103
3. Kontrol af det medfølgende tilbehør	99	8. Elektrisk arbejde	105
4. Forgreningsdåsens mål og påkrævet plads til service	99	9. Testkørsel	109
5. Kølemiddelrør	102		

Denne installationsmanual er kun beregnet til installation af forgreningsdåsen. Ved installation af indendørsenhederne og udendørsenheden skal vejledningen i installationsmanualen, som hører til de enkelte enheder, følges.

1. Sikkerhedsforanstaltninger

- ▶ Læs alle "Sikkerhedsforanstaltninger", før De installerer enheden.
- ▶ Oplys det lokale elselskab om anlægget, eller indhent deres tilladelse, før De slutter udstyret til strømforsyningen.
- ▶ PAC-MK•BC-serien er udviklet som professionelt udstyr.
- ▶ Når der modtages elektricitet fra udendørsenheden, overholdes gældende standarder muligvis ikke for udendørsenheden, afhængigt af den anvendte indendørsenhed.

⚠ Advarsel:
Beskriver sikkerhedsforanstaltninger, der skal træffes, for at undgå personskade eller dødsfald.

⚠ Forsigtig:
Beskriver forholdsregler, der skal træffes, for at forhindre at enheden bliver beskadiget.

- ⚠ Advarsel:**
- Brugeren må ikke installere enheden.
 - Lad en forhandler eller en autoriseret tekniker installere enheden.
 - Foretag installationen i overensstemmelse med installationsvejledningen, og brug værktøj og rørdel, der er specielt beregnet til anvendelse sammen med det kølemiddel, der er specificeret i installationsvejledningen til udendørs enheden.
 - For at minimere risikoen for beskadigelse som følge af jordskælv, tyfoner eller kraftigt stormvejr skal enheden installeres ifølge vejledningen. En ukorrekt installeret enhed kan falde ned og forårsage beskadigelse eller kvæstelser.
 - Enheden skal monteres fast og sikkert på en underkonstruktion, der kan bære dens vægt.
 - Hvis klimaanlægget installeres i et lille rum, skal der tages forholdsregler til at forhindre, at kølemiddelkoncentrationen i rummet overstiger sikkerhedsgrænsen i tilfælde af kølemiddellækage. Hvis der opstår lækage af kølemidlet, som forårsager overskridelse af koncentrationsgrænsen, kan der opstå livsfare på grund af manglende ilt i rummet.
 - Ventiler rummet hvis der opstår kølemiddellækage under driften. Hvis kølemidlet kommer i kontakt med åben ild, afgives der giftige gasser.
 - Alle elinstallationsarbejder skal udføres af en faguddannet elinstallatør og ifølge de lokale bestemmelser og instruktionerne i denne vejledning.
 - Brug kun de specificerede kabler til tilslutningen.
 - Klemkassens dæksel på enheden skal skrues godt fast.
 - Brug kun tilbehør, der er godkendt af Mitsubishi Electric og lad en forhandler eller en autoriseret tekniker installere dem.
 - Brugeren bør aldrig forsøge at reparere enheden eller flytte den til en anden placering.
 - Når installationen er afsluttet, kontrolleres for kølemiddellækager. Hvis kølemiddel løber ud i rummet og kommer i kontakt med åben ild (f.eks. flammen på en opvarmingsenhed eller et transportabelt kogeudstyr), vil der opstå giftige gasser.
 - Sørg for at tilslutte strømforsyningsledningerne og tilslutningsledningerne til både indendørs- og udendørsenhederne, og tilslut forgreningsdåserne direkte til enhederne (ingen mellemiggende forbindelser). Mellembindinger kan medføre kommunikationsfejl, hvis der trænger vand ind i ledningerne eller kablerne, og de medfører utilstrækkelig jordisolering eller ringe elektrisk kontakt ved det mellemliggende tilslutningspunkt. (Hvis det er nødvendigt at anvende en mellemliggende forbindelse, skal der etableres foranstaltninger for at forhindre, at der trænger vand ind i ledningerne og kablerne.)

2. Valg af monteringssted

* Forgreningsdåsen er beregnet til indendørs brug.

- Sørg for, at forgreningsdåsen monteres et sted, hvor det er nemt at komme til i forbindelse med servicering og vedligeholdelse. (Kontroller, at det påkrævede vedligeholdelseshul eller den påkrævede serviceplads er til stede).

- Undgå at montere anlægget tæt ved soveværelser. Undertiden kan man høre lyden af kølemiddel, der flyder gennem rørene.
- Sørg for at montere anlægget et sted, hvor driftsstøjen ikke kan genere nogen. Når strømmen tilsluttes eller standser kortvarigt efter betjening, kan der muligvis høres en lav kliklyd fra forgreningsdåsen. Dette skyldes, at den elektroniske ekspansionsventil åbnes og lukkes. Enheden er ikke defekt.

- Fastslå inden monteringen, hvor kølemiddelrørene, drænrørene og de elektriske kabler skal løbe.

Efter afslutning af installationsarbejdet skal "Sikkerhedsforanstaltninger", brugen og vedligeholdelsen af enheden forklares for kunden ifølge betjeningsvejledningen. Desuden skal der foretages en testkørsel for at sikre normal funktion. Både installations- og betjeningsvejledningen skal overdrages til brugeren. Disse vejledninger skal gives videre til efterfølgende brugere.

⬇ : Angiver en del, der skal jordforbindes.

⚠ Advarsel:
Læs etiketterne på hovedenheden omhyggeligt.

- ⚠ Forsigtig:**
- Sørg for, at kølemiddelrørene er ordentligt isoleret for at forhindre kondensdannelse. Mangelfuld isolering kan forårsage kondensdannelse på rørenes overflade eller resultere i, at loftet, gulvet eller andet vigtigt indbo bliver vådt.
 - Enheden må ikke anvendes i usædvanlige miljøer. Hvis klimaanlægget installeres på steder, der er udsat for damp, flygtig olie (inklusive maskinolie) eller svovlholdig gas, steder, der er udsat for højt saltindhold, for eksempel ved kysten, kan ydelsen blive betydeligt forringet, og de indvendige dele kan blive beskadiget.
 - Undlad at installere enheden på steder, hvor brændbare gasser kan slippe ud, udvikles, strømme igennem eller akkumuleres. Hvis der akkumuleres brændbare gasser omkring enheden, kan det medføre brand eller eksplosion.
 - Hvis enheden installeres i et hospital eller kommunikationscenter, skal du være forberedt på støj og elektronisk interferens. Vekselrettere, apparater til brug i hjemmet, højfrekvent medicinsk udstyr og radiokommunikationsudstyr kan medføre fejlfunktion eller nedbrud i klimaanlægget. Klimaanlægget kan også påvirke medicinsk udstyr, forstyrre sygepleje- og kommunikationsudstyr og forringe kvaliteten af skærmbilskning.
 - Kølemiddelrøret skal varmeisoleres for at forebygge kondens. Hvis kølemiddelrøret ikke isoleres korrekt, dannes der kondens.
 - Sæt varmeisolering på rørene for at forebygge kondens. Hvis afløbsrøret monteres forkert, kan det medføre lækage af vand og skade på lofter, gulve, møbler eller anden tingskade.
 - Rengør ikke klimaanlægget med vand. Dette kan medføre elektrisk stød.
 - Stram alle omløbermøtrikker til de specificerede værdier ved hjælp af en momentnøgle. Hvis de strammes for hårdt, kan omløbermøtrikker gå i stykker efter længere tid.
 - Sørg for at installere kredsløbsafbrydere. Hvis de ikke installeres, kan det medføre elektrisk stød.
 - Til strømforsyningsledninger skal der benyttes standardkabler med tilstrækkelig kapacitet. Ellers kan det medføre kortslutning, overophedning eller brand.
 - Ved installation af strømforsyningsledningerne må kablerne ikke strammes. Hvis forbindelserne løsnes, kan kablerne knække med overophedning eller brand til følge.
 - Jordledninger må ikke forbindes til gas- eller vandrør, lynafledere eller jordforbindelsesledninger til telefonen. Hvis enheden ikke er korrekt jordforbundet, kan det medføre elektrisk stød.

- Sørg for, at enheden placeres på en sådan måde, at kølemiddelrørenes længde er inden for de angivne grænser.

• Enheden må ikke monteres på et sted, hvor der er meget varmt eller fugtigt i længere tid ad gangen.

- Af hensyn til vedligeholdelse skal forgreningsdåsen monteres over loftet i en gang, et badeværelse e.l., hvor der ikke regelmæssigt opholder sig personer. (Undgå at montere den midt i et rum.)

* Sørg for, at enheden monteres et sted, der kan bære enhedens vægt.

⚠ Advarsel:
Sørg for, at enheden monteres et sted, der kan bære enhedens vægt, og at den sidder ordentligt fast. Hvis den ikke er ordentligt monteret, kan enheden falde ned og forårsage personskade.

3. Kontrol af det medfølgende tilbehør

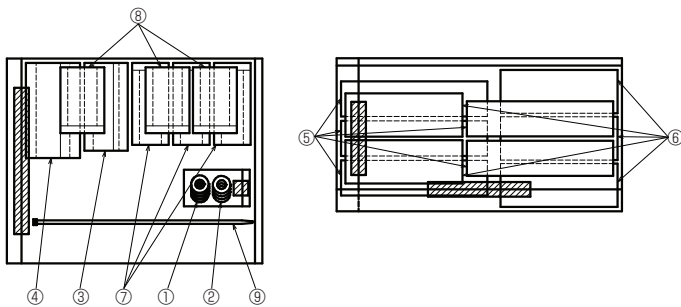


Fig. 3-1

3.1. Kontroller forgreningsdåsens tilbehør og dele

	Tilbehørets navn	Antal		
		PAC-MK30BC	PAC-MK50BC	
①	Skive (med isolering)	4	4	
②	Skive	4	4	
③	Rørafdækning (Væske)	1	1	Til udendørsenhed
④	Rørafdækning (Gas)	1	1	Til udendørsenhed
⑤	Rørafdækning (Væske)	3	5	Til indendørsenhed
⑥	Rørafdækning (Gas)	3	5	Til indendørsenhed
⑦	Samlingsdæksel (Væske)	1	3	
⑧	Samlingsdæksel (Gas)	1	3	
⑨	Rem	16	24	

4. Forgreningsdåsens mål og påkrævet plads til service

Andre typer (deformede) samlinger, ekstraudstyr.

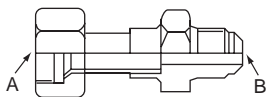


Fig. 4-1

Modelnavn	Diameter af tilsluttede rør	Diameter A	Diameter B
	mm	mm	mm
MAC-A454JP	ø9,52 → ø12,7	ø9,52	ø12,7
MAC-A455JP	ø12,7 → ø9,52	ø12,7	ø9,52
MAC-A456JP	ø12,7 → ø15,88	ø12,7	ø15,88
PAC-493PI	ø6,35 → ø9,52	ø6,35	ø9,52
PAC-SG76RJ-E	ø9,52 → ø15,88	ø9,52	ø15,88

* Forbind to indendørsenheder eller flere med ét system.

* Der kan forbindes 1-2 forgreningsdåser til én udendørsenhed.

* Ophængningsbolt: W3/8 (M10)

* Konisk forbindelse til kølemiddelrør

* Størrelsen på rørens samling varierer alt efter indendørsenhedernes type og kapacitet. Match rørsamlingsstørrelsen for indendørsenheden og forgreningsdåsen. Hvis størrelsen på forgreningsdåsens rørsamling ikke matcher indendørsenhedens rørsamling, skal der bruges (deformede) samlinger med en anden diameter (ekstraudstyr) på forgreningsdåsensiden. (Tilslut deformede samlinger direkte til forgreningsdåsensiden.)

■ PAC-MK50BC (type med 5 forgreninger)

(mm)

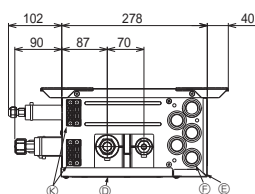
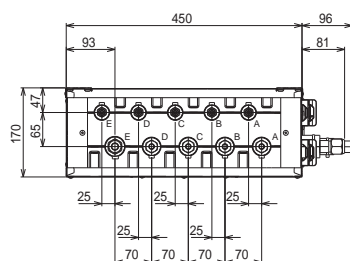
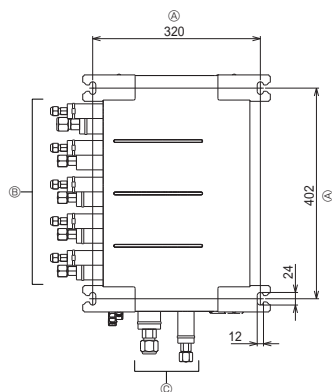


Fig. 4-2

- Ⓐ Stigning på ophængningsbolt
- Ⓑ Til indendørsenhed
- Ⓒ Til udendørsenhed
- Ⓓ Servicepanel (til LEV, THERMISTOR)
- Ⓔ Elektrisk dæksel
- Ⓕ Gummibøsning
- Ⓖ Klemkasse (til indendørsenhed på kontrolpanel)
- Ⓗ Klemkasse (til udendørsenhed)
- Ⓙ Klemkasse (til kommunikationskabel)
- Ⓚ Kabelklemme

* Sørg for, at forgreningsdåsen monteres som vist på tegningen nedenfor.

■ PAC-MK50BC (Fig.4-2)

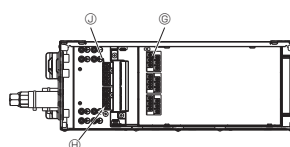
Ophængningsbolt: W3/8 (M10)

Konisk forbindelse til kølemiddelrør

	A	B	C	D	E	Til udendørsenhed
Væskeslange	ø6,35	ø6,35	ø6,35	ø6,35	ø6,35	ø9,52
Gasslange	ø9,52	ø9,52	ø9,52	ø9,52	ø12,7	ø15,88

Konverteringsformel

1/4 F	ø6,35
3/8 F	ø9,52
1/2 F	ø12,7
5/8 F	ø15,88
3/4 F	ø19,05



4. Forgreningsdåsens mål og påkrævet plads til service

■ PAC-MK30BC (3-benet type)

(mm)

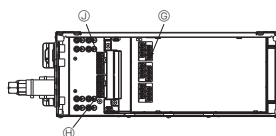
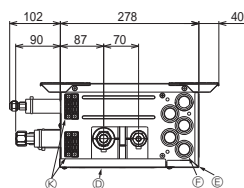
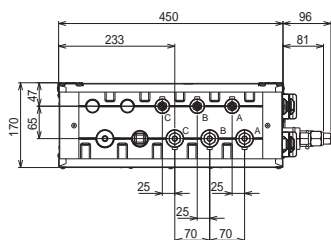
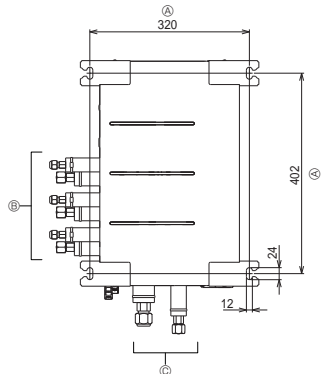


Fig. 4-3

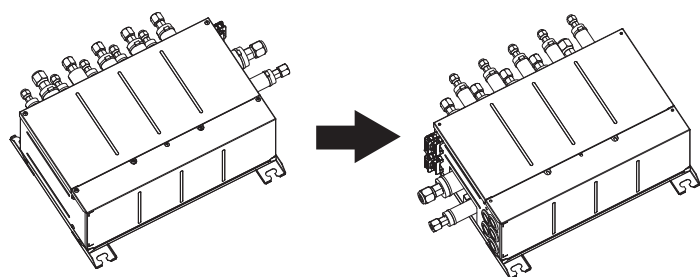
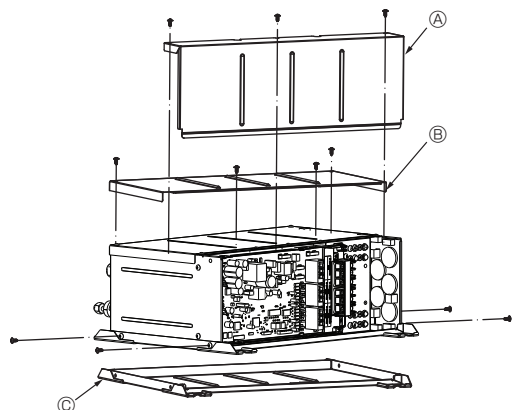


Fig. 4-4

② Fjern det elektriske dæksel, servicepanelet og toppanelet.

- Ⓐ Elektrisk dæksel
- Ⓑ Servicepanel
- Ⓒ Toppanel



■ PAC-MK30BC (Fig.4-3)

Ophængsbolt: W3/8 (M10)

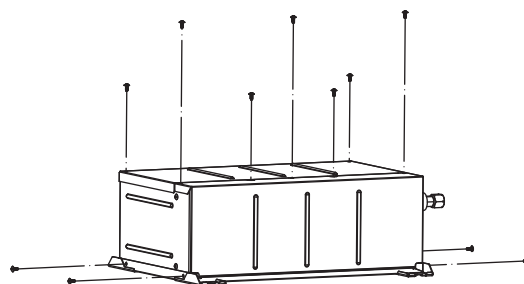
Kølemiddelrør, flangeforbindelse

mm

	A	B	C	Til udendørsenhed
Væskerør	ø6,35	ø6,35	ø6,35	ø9,52
Gasrør	ø9,52	ø9,52	ø9,52	ø15,88

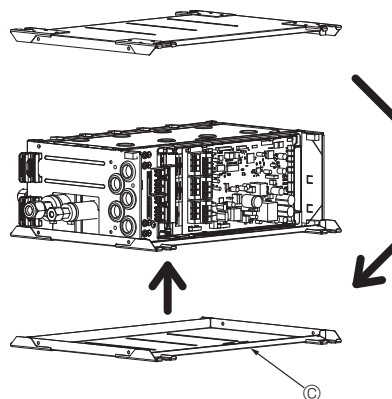
4.1. Retningen af rørene kan ændres. (Fig.4-4). [Arbejdsprocedurer] (Fig. 4-5)

① Fjern skruerne i hver del.



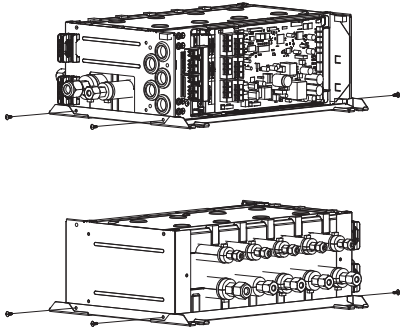
③ Monter toppanelet på den modsatte flade.

- Ⓒ Toppanel



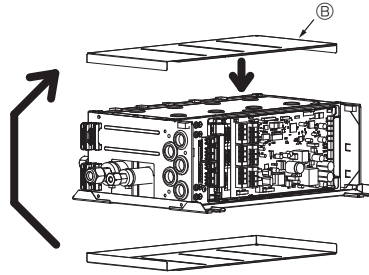
4. Forgreningsdåsens mål og påkrævet plads til service

④ Stram skruerne i hver del.

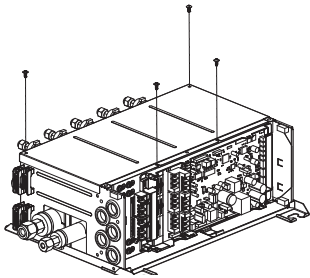


⑤ Monter servicepanelet på den modsatte flade.

ⓑ Servicepanel

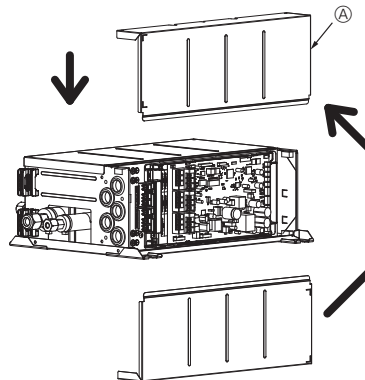


⑥ Stram skruerne.



⑦ Monter det elektriske dæksel på den modsatte flade.

ⓐ Elektrisk dæksel



⑧ Stram skruerne.

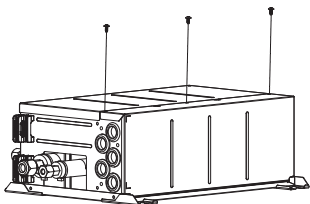


Fig. 4-5

4. Forgreningsdåsens mål og påkrævet plads til service

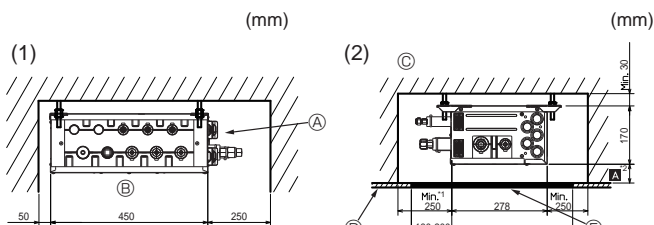


Fig. 4-6

Fig. 4-7

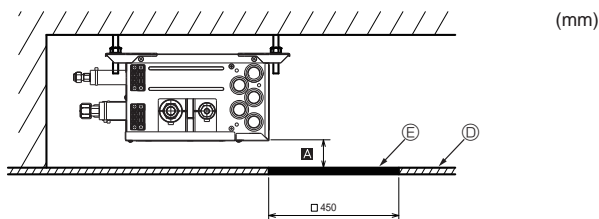


Fig. 4-8

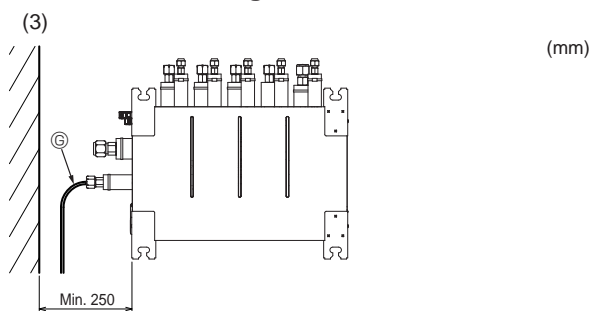


Fig. 4-9

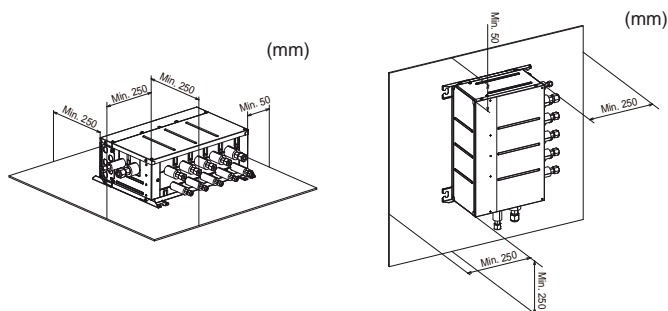


Fig. 4-10

Fig. 4-11

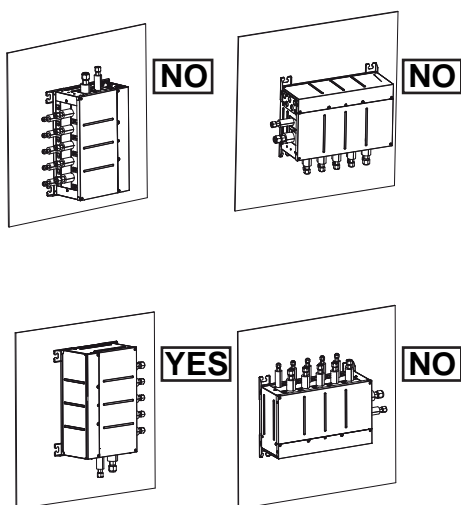


Fig. 4-12

4.2. Påkrævet plads til installation og service

I . Mellemrum ved montering med ophængsboltene.

- (1) Set forfra (Fig. 4-6)
 - Ⓐ Forgreningsdåse
 - Ⓑ På siden af røret
- (2) Set fra siden (Fig. 4-7, Fig. 4-8)
 - Ⓒ For indendørsinstallationer
 - Ⓓ Loftsplade
 - Ⓔ Vedligeholdelseshul

*1: En minimumradius på 350 mm er påkrævet ved krumninger på 90° i kølemiddellør.

*2: **A** er "Min. 200 mm" <anbefalet>.

Hvis **A** er mindre end 200 mm (f.eks. 100 mm), bliver udskiftningsarbejdet af forgreningsboksen vanskeligt at udføre fra en vedligeholdelseshul (det er kun muligt at udskifte PCB, lineare ekspansionsventilspoler, sensorer og drænbakke).

*3: **B** er "□ 600 mm" <anbefalet>.

I tilfælde af "□ 450" skal der udføres et vedligeholdelseshul ved en PCB-side (som vist på Fig. 4-7), og afstanden **A** skal være "min. 300 mm".

Hvis **A** er mindre end 300 mm (f.eks. 100 mm), bliver udskiftningsarbejdet af forgreningsboksen, lineare ekspansionsventilspoler, sensorer og drænbakke vanskeligt at udføre fra en vedligeholdelseshul (det er kun muligt at udskifte PCB).

- (3) Set ovenfra (Fig. 4-8)
 - Ⓒ Kølemiddellør

II . Mellemrum ved montering på gulvet. (Fig. 4-10)

III . Mellemrum ved montering på en væg. (Fig. 4-11)

Monteringsretningen er begrænset ved montering på en væg. (Fig. 4-12)

Når enheden monteres på væggen, skal rørene, der er forbundet til udendørsenheden, vende nedad. Andre retninger må ikke benyttes.

5. Kølemiddellør

* Følg altid de specifikationer, der er angivet i udendørsenhedens installationsmanual. Overholdes disse ikke, kan det resultere i nedsat ydeevne og funktionsfejl.

6. Montering af forgreningsdåsen

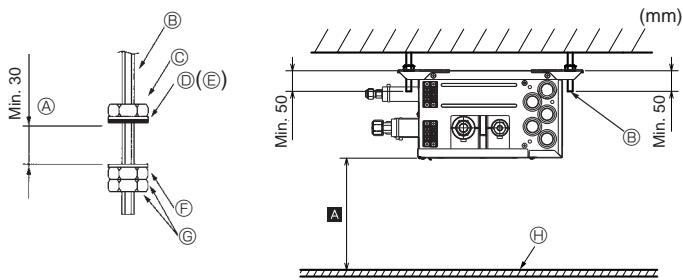


Fig. 6-1

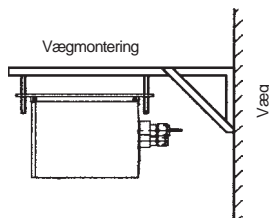


Fig. 6-2

* Anskaf en passende konsol, hvis enheden skal monteres på en væg.

- (1) Monter ophængningsboltene (anskaffes lokalt) med den angivne afstand. (Fig. 4-3, 4-4)
- (2) Monter skiver og møtrikker (①, ②, anskaffes lokalt) på ophængningsboltene. (Fig. 6-1)
- (3) Hæng enheden op på ophængningsboltene.
- (4) Stram møtrikkerne helt (kontroller loftshøjden).
- (5) Brug et vaterpas til at sikre, at forgreningsdåsen er vandret.
 - Ⓐ Når enheden er ophængt og møtrikkerne strammet.
 - Ⓑ Ophængningsbolt
 - Ⓒ Møtrikker
 - Ⓓ Skive (med stødpude) ①
 - Ⓔ Sørg for, at stødpuden vender nedad
 - Ⓕ Skive (uden stødpude) ②
 - Ⓖ Møtrik (anskaffes lokalt)
 - Ⓗ Ophængningsbolt

7. Installation af kølemiddelrør

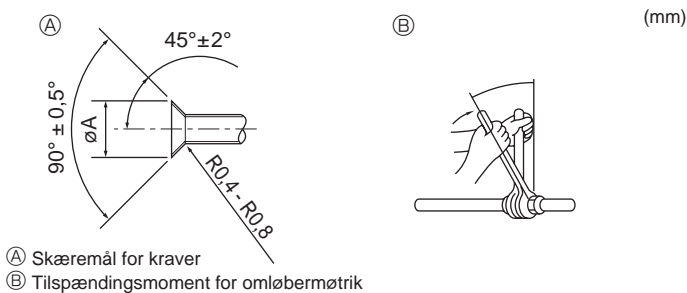


Fig. 7-1

Ⓐ Skæremål for kraver

Tablet 1

Kobberrør udv. dia. (mm)	Kravemål øA-mål (mm)
ø6,35	8,7 - 9,1
ø9,52	12,8 - 13,2
ø12,7	16,2 - 16,6
ø15,88	19,3 - 19,7

Ⓑ Tilspændingsmoment for omløbermøtrik

Tablet 2

Kobberrør udv. dia. (mm)	Omløbermøtrik, udv. dia. (mm)	Tilspændingsmoment (N·m)*
ø6,35	17	14-18
ø6,35	22	34-42
ø9,52	22	34-42
ø12,7	26	49-61
ø12,7	29	68-82
ø15,88	29	68-82
ø15,88	36	100-120

- Forbind væske- og gasrørene for hver enkelt indendørsenhed til de samme endeforbindelsesnumre som angivet på indendørsenhedens koniske forbindelsessektion på hver forgreningsdåse. Hvis de forbindes til de forkerte endeforbindelsesnumre, kan enheden ikke fungere normalt.
- Når indendørsenheder forbindes, skal kølemiddelrørene og forbindelseskablerne forbindes til de korrekte forbindelsesporte mærket med de tilsvarende bogstaver. (Fx A, B, C, D, E)

Bemærkning:

Sørg for at markere alle lokale kølemiddelrør (væskerør, gasrør osv.) for hver indendørsenhed, så det tydeligt fremgår, hvilket rum de tilhører. (Fx A, B, C, D, E)

- Noter indendørsenhedernes modelnavne på navnepladen på forgreningsdåsens kontrolboks (til identificeringsformål).

- Udfør tilstrækkeligt antikondens- og isoleringsarbejde for at forhindre, at der drypper vand fra kølemiddelrørene. (Væskerør/gasrør)
- Forøg isoleringen afhængigt af det miljø, hvor kølemiddelrørene installeres, da der i modsat fald kan dannes kondens på isoleringsmaterialets overflade. (Varmeresistenttemperatur for isoleringsmateriale: 120 °C, tykkelse: 15 mm eller mere)
 - * Hvis kølemiddelrørene benyttes på steder med høje temperaturer og luftfugtighed, for eksempel på et loft, kræves der muligvis yderligere isolering.
- For at isolere kølemiddelrørene skal der benyttes varmeresistent polyetylenkum mellem indendørsenheden og isoleringsmaterialet samt på nettet mellem isoleringsmaterialet, så alle huller er udfyldt. (Hvis der dannes kondens på rørene, kan det medføre kondens i værelset eller forbrændinger ved kontakt med rørene.)
- Når der anvendes almindeligt tilgængelige kølemiddelrør, skal både væskeog gasrør omvikles med almindeligt tilgængeligt varmeisoleringsmateriale (mindst 15 mm tykt og i stand til at modstå temperaturer over 120° C).
- Se installationsmanualen for udendørsenheden i forbindelse med etablering af et vakuum og åbning eller lukning af ventiler.
 - (1) Fjern de koniske møtrikker og dækslerne fra forgreningsdåsen.
 - (2) Udvid enderne på væske- og gasrørene, og påfør kølemiddelolie (anskaffes lokalt) på det koniske sæde. Må ikke anvendes olie til gevindafsnittet.
 - (3) Forbind kølemiddelrørene med det samme. Sørg altid for at stramme de koniske møtrikker med det moment, der er angivet i tabellen nedenfor, ved hjælp af en momentnøgle og en skruenøgle.
 - (4) Tryk røraftækkingerne 3 og 5 på væskerørene ind mod enheden, og hold dem på plads med bevikling. (Fig. 7-3)
 - (5) Tryk røraftækkingerne 4 og 6 på gasrørene ind mod enheden, og hold dem på plads med bevikling. (Fig. 7-3)
 - (6) Påsæt de medfølgende remme ⑨ i en afstand af 10-20 mm fra hver ende af røraftækkingerne (③ ④ ⑤ ⑥).
 - (7) Hvis indendørsenheden ikke er forbundet, skal de medfølgende røraftækkinger (med dæksler, ⑦ og ⑧) tilsluttes forgreningsdåsens kølemiddelrørforbindelser for at undgå, at der drypper kondensvand fra rørene. (Fig. 7-4)
 - (8) Fastspænd røraftækkingerne (⑦ ⑧) med de medfølgende remme ⑨.

7. Installation af kølemiddelrør

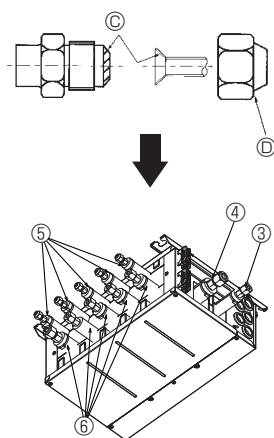


Fig. 7-2

⚠ Forsigtig:

Stram den koniske møtrik med en momentnøgle i henhold til den angivne metode. Hvis den koniske møtrik strammes for meget, kan den revne, hvilket med tiden vil resultere i lækage af kølemiddel.

- Ⓢ Påfør kølemiddelolie på hele overfladen (Fig. 7-2) af det koniske sæde.
- Ⓢ Anvend de koniske møtrikker, der er monteret på huset (almindeligt tilgængelige koniske møtrikker kan revne).

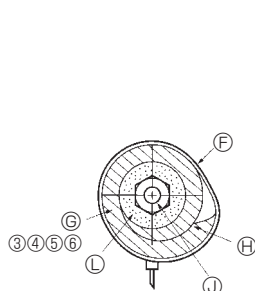


Fig. 7-3

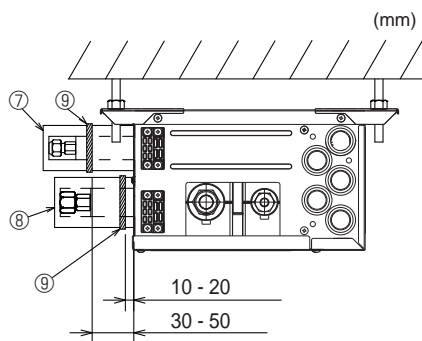


Fig. 7-4

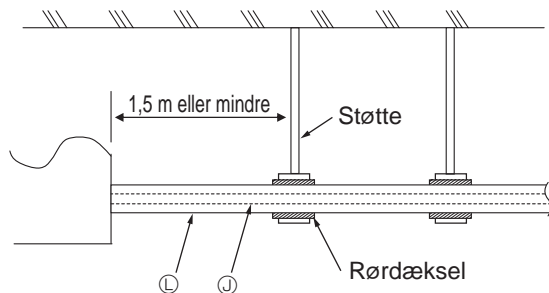


Fig. 7-5

Bemærkning:

En special brystmøtrik (ekstraudstyr eller monteret på indendørsenheden) skal bruges på nogle indendørsenheder. Se installationsmanualen til udendørsenheden og indendørsenheden for flere oplysninger.

- Ⓢ Rem ⑨
- Ⓢ Rørfafdækninger ③ ④ ⑤ ⑥
- Ⓢ Strammes
- Ⓢ Kølemiddelrør
- Ⓢ Varmeisolering til kølemiddelrør

► Brug følgende fremgangsmåder til de dele af forgreningsdåsen, som ikke er forbundet til en indendørsenhed. (Fig. 7-4)

- (1) Kontrollér, at de koniske møtrikker er strammet i overensstemmelse med de i Tabel 3 angivne tilspændingsmomenter, så kølemiddellækager forhindres.
 - * Kølemidlet kan også lække, hvis de koniske møtrikker strammes mere end de angivne tilspændingsmomenter.
- (2) Montér rørfafdækning ⑦ ⑧, og fastgør dem med de medfølgende remme ⑨, så kondensdannelse forhindres.

Tabel 3

Diametre på forgreningsdåsens åbninger for tilslutning af indendørsenheder (mm)	Tilspændingsmoment (N·m)
ø6,35	13 ± 2
ø9,52	30 ± 2
ø12,7	50 ± 2

► Påfyldning af kølemiddel:

Se installationsmanualen til udendørsenheden. Anvend kun kølemiddel af typen R410A (andre typer kølemiddel kan forårsage problemer).

⚠ Forsigtig:

For at undgå kraftig belastning af fordelerboksen skal du understøtte rørene med en eller flere støtte(r) 1,5 meter eller derunder fra fordelerboksen.

Se Fig. 7-5 som eksempel.

- Ⓢ Kølemiddelrør
- Ⓢ Varmeisolering til kølemiddelrør

8. Elektrisk arbejde

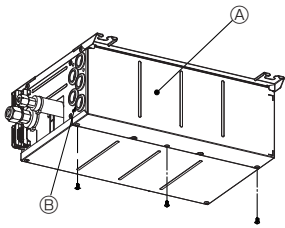


Fig. 8-1

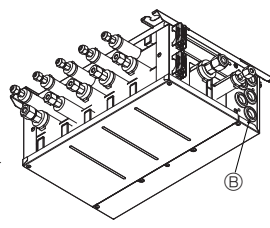


Fig. 8-2

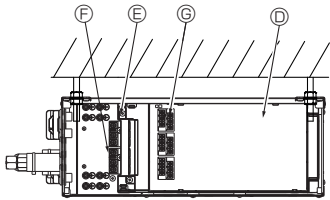


Fig. 8-3

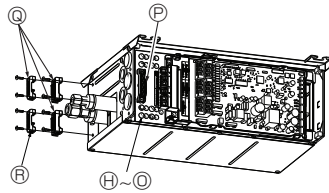


Fig. 8-4

- Ⓐ Elektrisk dæksel
- Ⓑ Gummibøsning
- Ⓒ Ledninger
- Ⓓ Kontrolpanel
- Ⓔ Klemkasse: TB5
- Ⓕ Klemkasse: TB2B <Til udendørsenhed>
- Ⓖ Klemkasse: TB3A-TB3E <Til indendørsenhed>
- Ⓗ Jordforbindelsesklemme <Til udendørsenhed>

- Ⓛ Jordforbindelsesklemme <Til TB3A>
- Ⓚ Jordforbindelsesklemme <Til TB3B>
- Ⓛ Jordforbindelsesklemme <Til TB3D>
- Ⓜ Jordforbindelsesklemme <Til TB3C>
- Ⓝ Jordforbindelsesklemme <Til TB3E>
- Ⓞ Jordforbindelsesklemme <Til anden fordelerboks>
- Ⓟ Kabelklemme <Til TB2B>
- Ⓠ Kabelklemme <Til TB3A-TB3E>
- Ⓡ Kabelklemme <Til TB5>

► Forsigtighed ved elektrisk arbejde

- ⚠ **Advarsel:**
 - Anvend altid separate strømkredse med afbrydere og den nominelle spænding. Strømkredse med utilstrækkelig kapacitet samt dårligt udført installation kan resultere i elektrisk stød eller brand.
- ⚠ **Forsigtig:**
 - Sørg for at etablere en jordforbindelse. Enheden må ikke jordes til et forsyningsrør, en afleder eller et telefonjordkabel. Mangelfuld jordforbindelse kan forårsage elektrisk stød. En høj stødstrøm fra lyn eller andre kilder kan beskadige klimaanlægget.
 - Anvend den angivne kabelføring, og sørg for, at kablerne er ordentligt forbundne og ikke under spænding. Følges disse anvisninger ikke, kan det resultere i ødelagte kabler, overophedning eller brand.
 - Sørg for at indstille kontakterne, før du tænder for fordelerboksen.
 - Tænd for strømmen ved at tænde for fordelerboksen og derefter udendørsenheden i denne rækkefølge. (Hvis strømforsyningen til fordelerboksen og udendørsenheden er separate)
 - De kabler, der forbinder forgreningsdåsen og udendørsenheden samt forgreningsdåsen og indendørsenhederne, fungerer som både strømforsyning og signalkabel. Tilslut disse ledninger i overensstemmelse med klemrækkenumrene for at sikre korrekt polaritet.
 - Sørg for, at de korrekte kølemiddelrør og elektriske kabler er forbundet til hver indendørsenhed. Fejlagtig kabelføring kan påvirke betjeningen af enheden.

► Forbind kølemiddelrørene og forbindelseskablerne til de korrekte porte markeret med de tilsvarende bogstaver (Fx A, B, C, D, E) på denne enhed.

- Tilslut først strømforsyningskablet fra udendørsenheden.
- Fastgør altid hver jordledning separat med en jordskrue.
- For at forhindre, at kabler installeret i loftet gennemygges af rotter o.l., bør de installeres i ledningsrør.
 1. Fjern skruerne i dækslet. (Fig. 8-1)
 2. Før ledningerne ind i fordelerboksen, og sæt hver ledning på plads med en ledningsklemme. (Se 8.1)
 3. Fastgør hvert kabel til den korrekte klemrække. (Fig. 8-8)
 4. Indstil dip-sw. (Se 8.3)
 5. Monter det elektriske dæksel igen.

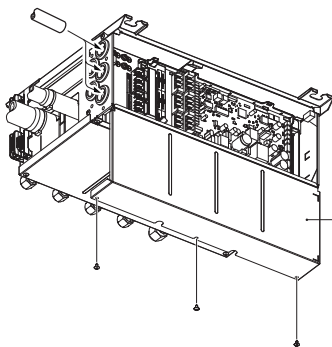


Fig. 8-5

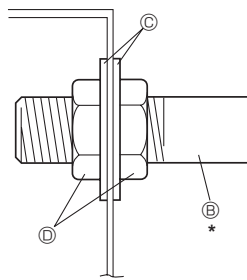


Fig. 8-6

8.1. Ved brug af ledningsrør (Fig. 8-5,6,7)

Sæt det vandrette dæksel på igen, når ledningsrøret er fastgjort.

- Ⓐ Dæksel
- Ⓑ Ledningsrør
- Ⓒ Skive
- Ⓓ Møtrik

Der kan anvendes ledningsrør med en udvendig diameter på op til 1".

- (1) Ved brug af ledningsrør med en udvendig diameter på 1" skal bøsningen fjernes og fastgøres på forgreningsdåsen. Fjern det vandrette dæksel under fastgøringen til forgreningsdåsen.
- (2) Ved brug af ledningsrør med en udvendig diameter på 3/4" eller mindre, skal der laves indsnit i bøsningen, og ledningsrøret skal føres ca. 100 mm ind i forgreningsdåsen.

* Sæt det vandrette dæksel på igen, når ledningsrøret er fastgjort.

⚠ Forsigtig:

For at undgå kraftig belastning af fordelerboksen skal du understøtte ledningsrøret Ⓑ med en eller flere støtte(r) 1,5 meter eller mindre fra fordelerboksen. Se Fig. 8-7 for et eksempel.

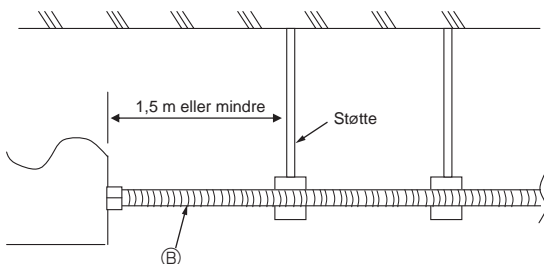


Fig. 8-7

8. Elektrisk arbejde

■ Sørg for separat strømforsyning til fordelerboksen og udendørsenheden

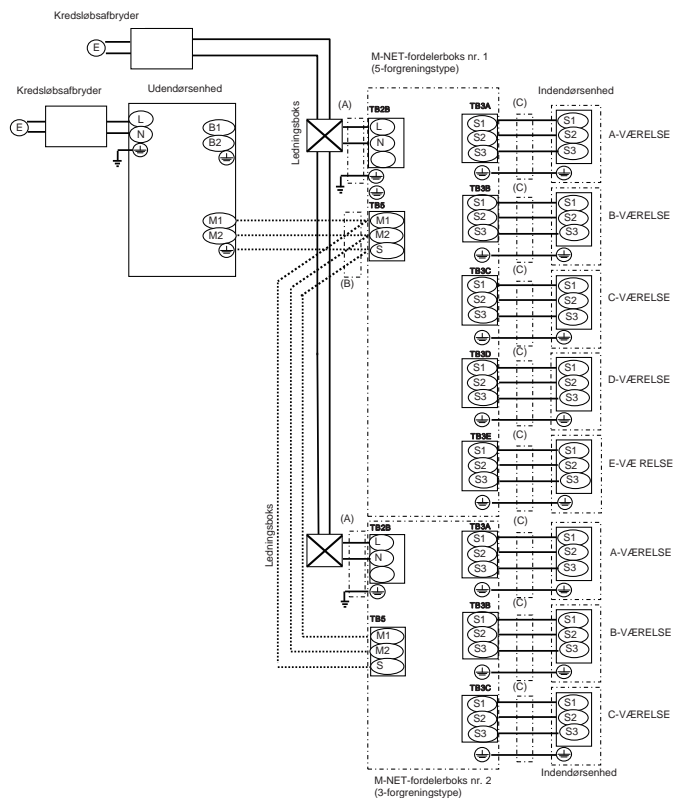
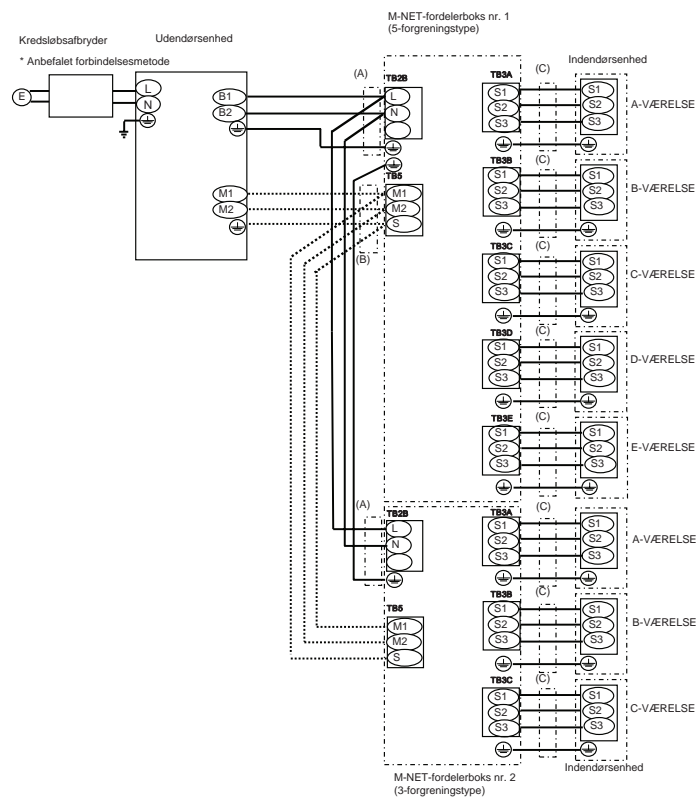


Fig. 8-8

8.2. Procedure for ekstern ledningsføring (Fig. 8-8, Fig 8-9)

■ Strømforsyning fra udendørsenhed



© Strømforsyning: Enkeltfase 220/230/240 V 50 Hz, 220 V 60 Hz

Bemærk:

- 1 Tilslut linjerne (B), (C) i overensstemmelse med klemkassenavnene for at sikre korrekt polaritet.
- 2 For linjerne (C) er S1 og S2 til tilslutning af strømforsyningen. Og S2 og S3 er til signaler. S2 er fælleskablet til strømkilden og signalet.

Ledningsdiameter		
(A) Hovedstrømlinje/Jordforbindelseslinje	(B) M-NET-kabel Afskærmningsledning CPEVS eller CPEVS	(C) Signallinje/Jordforbindelseslinje
3-året 2,5 mm ²	2-året 1,25 mm ² Mindre end 200 m	4-året 1,5 mm ² Mindre end 25 m

Når der benyttes snoet ledning til ledningsføringen, skal der bruges en rund klemme.

- Bemærkninger:**
1. Kabelstørrelsen skal overholde den gældende lokale og nationale lovgivning.
 2. Strømforsyningsledningerne og tilslutningsledningerne til indendørsenhed/forgreningsdåse/udendørsenhed må ikke være lettere end polychloroprenummibeklædte bøjelige ledninger. (Design 60245 IEC 57)
 3. Installer en jordledning, der er længere end strømkablerne.

⚠ Advarsel:

Du må aldrig sammensplejse kablet, da dette kan medføre røgdannelse, brand eller kommunikationsfejl.

M-NET-fordelerboks nr. (5-forgreningstype)

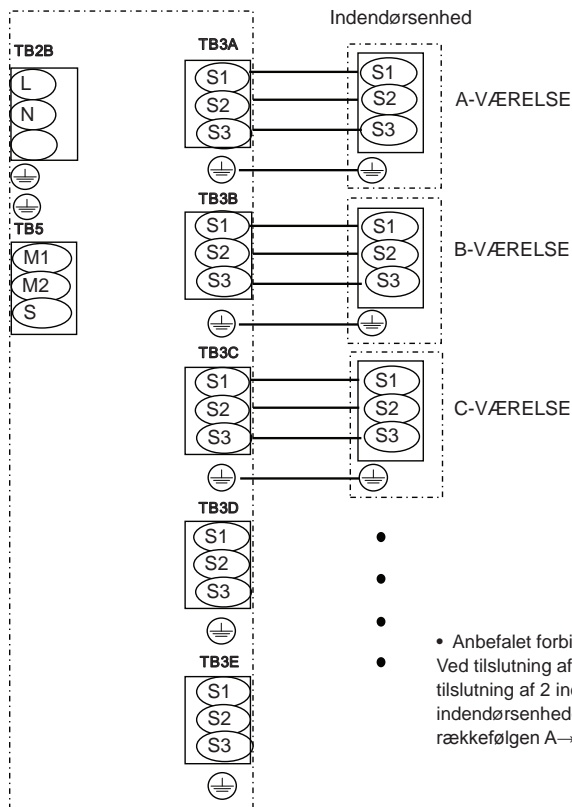


Fig. 8-9

• Anbefalet forbindelsesmetode

Ved tilslutning af en indendørsenhed til fordelerboksen skal den forbindes til TB3A. Ved tilslutning af 2 indendørsenheder skal de forbindes til TB3A og TB3B. Ved tilslutning af 3 indendørsenheder skal de forbindes til TB3A, TB3B og TB3C. Tilslut indendørsenhederne i rækkefølgen A→B→C→D→E.

8. Elektrisk arbejde

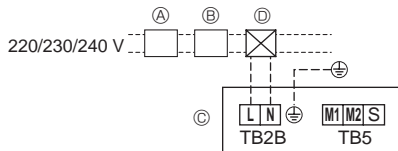


Fig. 8-10

Strømforsyningsledninger (sørg for separat strømforsyning til fordelerboksen og udendørsenheden)

- Installer en jordforbindelsesledning, der er længere end de andre kabler.
- Apparatets strømforsyningsledninger må ikke være lettere end design 245IEC57 eller 227IEC57, 245 IEC 53 eller 227 IEC 53.
- En kontakt med mindst 3 mm, 1/8 tommes kontaktdåb i hver pol skal leveres af installationen af klimaanlægget.

[Fig. 8-10]

- Ⓐ Jordfejlfafbryder
- Ⓑ Lokal kontakt-/ledningsafbryder
- Ⓒ Fordelerboks
- Ⓓ Ledningsboks

Samlet driftstrøm for indendørsenheden	Mindste ledningstykkelser (mm ² /AWG)					Afbryder for ledninger (NFB)	Jordfejlfafbryder *1
	Hovedkabel	Fordeler	Jord	Kapacitet	Sikring		
F0 = 15 A eller mindre *2	2,1/14	2,1/14	2,1/14	15	15	15	15A Strømfølsomhed *3
F0 = 20 A eller mindre *2	3,3/12	3,3/12	3,3/12	20	20	20	20A Strømfølsomhed *3
F0 = 30 A eller mindre *2	5,3/10	5,3/10	5,3/10	30	30	30	30A Strømfølsomhed *3

Anvend på IEC61000-3-3 cirka maks. tilladt systemimpedans.

*1 Jordfejlfafbryderen skal understøtte vekselretterkredsløb.

Jordfejlfafbryderen skal kombinere brug af lokal kontakt- eller ledningsafbryder.

*2 Tag den største af værdierne F1 eller F2 som værdien for F0.

F1 = Samlet maksimal driftstrøm for indendørsenhederne x 1,2

F2 = (V1/C)

Forbind til fordelerboks (PAC-MK*BC)

Indendørsenhed	V1	V2
Type 1 SEZ-KD*VA, PCA-RP*KAQ, PLA-ZRP*BA(UK)	19,8	2,4
Type 2 PEAD-RP*JAQ(L),UK	26,9	
Type 3 MLZ-KA*VA, SLZ-KA*VAQ(L)3	9,9	
Type 4 MSZ-FH*VE, MSZ-SF*VE, MSZ-EF*VE, MSZ-SF*VA	6,8	
Type 5 MFZ-KJ*VE	7,4	
Type 6 Fordelerboks (PAC-MK*BC)	5,1	

Forbind til tilslutningssæt (PAC-LV11M)

Indendørsenhed	V1	V2
Type 1 MSY-EF*VE, MSY-GE*VA, MSY-GH, MSZ-GE*VA, MSZ-SF*VA, MSZ-SF*VE, MSZ-EF*VE, MSZ-FH*VE	6,8	2,4
Type 2 MFZ-KJ*VE	7,4	
Type 3 Tilslutningssæt (PAC-LV11M)	3,5	

Indendørsenhed	V1	V2
Type 1 PMFY-VBM, PLFY-VBM, PEFY-VMS1, PCFY-VKM, PKFY-VHM, PKFY-VKM, PFFY-VLRMM, PFFY-VKM	19,8	2,4
Type 2 PLFY-VCM	9,9	
Type 4 PKFY-VBM	3,5	1,6
Type 5 PEFY-VMA	38,0	
Type 6 PLFY-VLMD, PEFY-VMH, PEFY-VMR, PDFY-VM, PFFY-VLEM, PFFY-VLRM	0	

C : Multiplum af udløserstrøm ved udløsertid 0,01 sek.

Tag "C" fra afbryderens udløserkarakteristik.

*Betinget fordelerboks x 2 + SEZ-KD*VA x 5, C=8 (se eksempeldiagram til højre)

F2 = 5,1 x 2/8 + 19,8 x 5/8

= 14,9

→ 16 A-afbryder (udløserstrøm = 8 x 16 A ved 0,01 sek.)

*3 Strømfølsomheden beregnes ved hjælp af følgende formel.

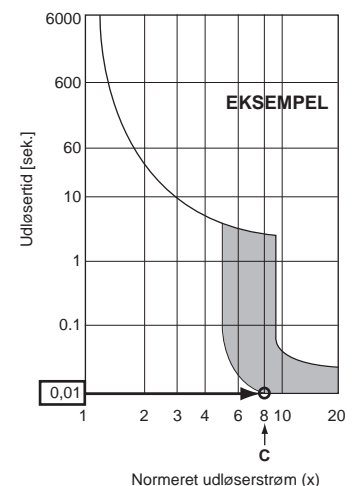
G1 = V2 + V3 x (længde af ledning [km])

G1	Strømfølsomhed
30 eller mindre	30 mA 0,1 sek. eller mindre
100 eller mindre	100 mA 0,1 sek. eller mindre

Ledningstykkelser (mm ² /AWG)	V3
2,1/14	48
3,3/12	56
5,3/10	66

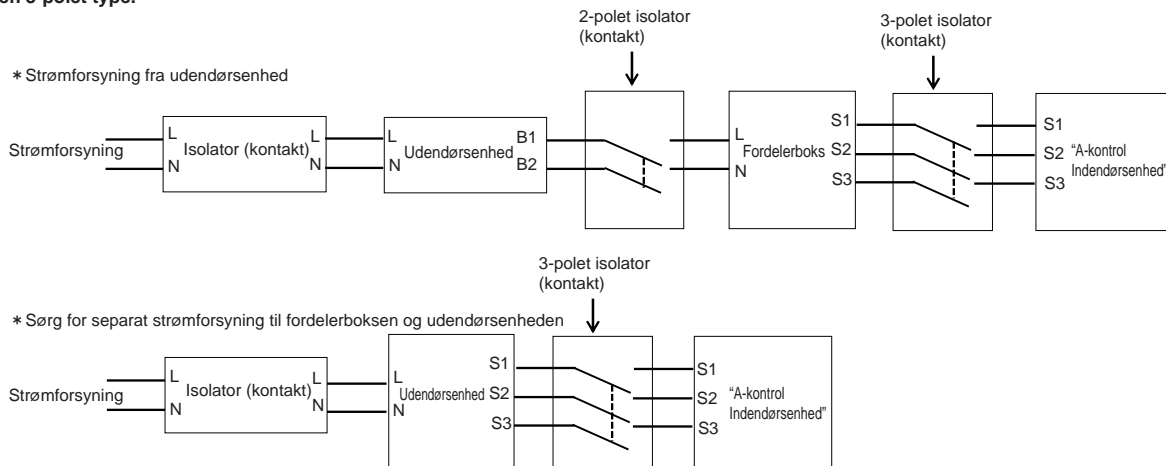
Indendørsenhed	V2
Indendørsenhed	2,4
Fordelerboks	3,0

Eksempeldiagram



⚠ Advarsel:

Ved A-kontrolledningsføring er der et højt spændingspotentiale på S3-klemmen på grund af det elektriske kredsløbsdesign, der ikke har nogen elektrisk isolering mellem strømforsyningslinjen og kommunikationssignallinjen. Du skal derfor slukke for hovedstrømforsyningen, før der udføres service, og du må ikke røre ved klemmerne S1, S2 og S3, når der er tændt for strømmen. Hvis der benyttes isolator mellem udendørsenheden og fordelerboksen/indendørsenheden, skal der benyttes en 3-polet type.

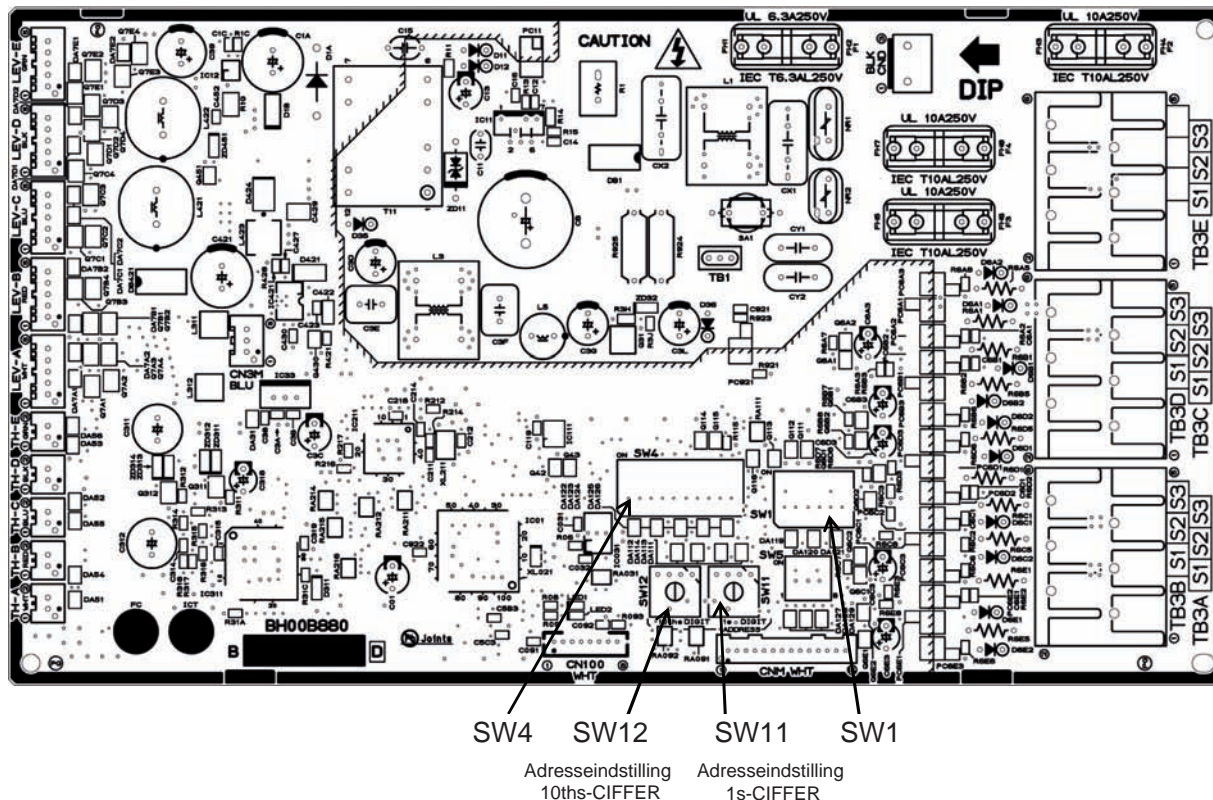


⚠ Forsigtig:

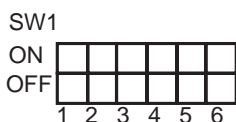
Efter brug af isolatoren skal du sørge for at slukke for hovedstrømforsyningen og tænde den igen for at nulstille systemet. I modsat fald kan udendørsenheden muligvis ikke registrere fordelerboksen(e) eller indendørsenhederne.

8. Elektrisk arbejde

8.3. Indstilling af kontakter



Dip-kontaktindstilling (kun effektiv, før der tændes for strømmen)



Indendørsenhed A
 Indendørsenhed B
 Indendørsenhed C
 Indendørsenhed D
 Indendørsenhed E
 Ikke-tildelt

kontakt	OFF	ON
SW1-1	Nej	Ja
SW1-2	Nej	Ja
SW1-3	Nej	Ja
SW1-4	Nej	Ja
SW1-5	Nej	Ja
SW1-6		

Adressekontakt (kun effektiv, før der tændes for strømmen)

Den faktiske adresseindstilling for indendørsenhed varierer i forskellige systemer. Se installationsvejledningen til udendørsenheden for at få oplysninger om angivelse af adresseindstillingen. Hver adresse indstilles med en kombination af indstillingerne for 10ths-cifferet og 1s-cifferet.

(Eksempel)

- Hvis du vil indstille adressen til "3", skal du indstille 1s-cifferet til 3 og 10ths-cifferet til 0.
- Hvis du vil indstille adressen til "25", skal du indstille 1s-cifferet til 5 og 10ths-cifferet til 2.

(Eksempel)

- Hvis adressen på fordelerboksen indstilles til "3", tildeles der en adresse til hver indendørsenhed fra og med Enhed A som vist nedenfor, uanset om de enkelte indendørsenheder er tilsluttet. (SW1-1~5 TIL)
 Indendørsenhed A Adresse 3
 Indendørsenhed B Adresse 4
 Indendørsenhed C Adresse 5
 Indendørsenhed D Adresse 6
 Indendørsenhed E Adresse 7
- Hvis adressen er indstillet til "25", og der er tilsluttet 3 indendørsenheder (Enhed A, Enhed C og Enhed E). (SW1-1, 1-3, 1-5 TIL)
 Indendørsenhed A Adresse 25
 Indendørsenhed C Adresse 26
 Indendørsenhed E Adresse 27

9. Testkørsel

- Se afsnittet "Testkørsel" i installationsvejledningen til indendørsenhederne og udendørsenheden.
- Hvis der er separat strømforsyning til fordelerboksen og udendørsenheden, skal du først tænde for strømmen til fordelerboksen og derefter tænde for strømmen til udendørsenheden.

• Når der er strømforsyning, eller efter et midlertidigt driftstop, høres der muligvis en klikkende lyd inde fra fordelerboksen. Den elektroniske ekspansionsventil åbnes og lukkes. Der er ikke fejl i enheden.

- Sørg for at udføre testkørslen i afkølingsstilstand for hver enkelt indendørsenhed. Sørg for, at alle indendørsenheder fungerer korrekt ifølge installationsvejledningen for enheden.
- Hvis du udfører testkørslen for alle indendørsenhederne på én gang, kan du ikke registrere eventuelle fejlforbindelser i kølemiddelrørene og forbindelsesledningerne mellem den indendørs og udendørs enhed.
- Udfør testkørslen for hver indendørsenhed for sig for at kontrollere for forkert ledningsføring.

⚠ Forsigtig:

- Brug fjernbetjeningen til at betjene indendørsenheden.
- Følgende symptomer er ikke fejlfunktioner.

Symptom	Årsag	LED-display på indendørsenheden *
Indendørsenheden fungerer ikke, selvom den sættes til køle- eller opvarmningsfunktion	Kølefunktionen (opvarmningsfunktionen) kan ikke benyttes, når opvarmningsfunktionen (kølefunktionen) benyttes på en anden indendørsenhed.	Standby (for multi-system)
Indendørsenhedens ventilator stopper i opvarmningsfunktion	Ventilatoren stopper under afisningsfunktion.	-
	Ventilatoren stopper, når kølemiddelindsamlingstilstand ** er aktiveret.	Standby (for multi-system)

* Se betjeningsvejledningen til indendørsenhederne for detaljerede oplysninger.

** Denne tilstand aktiveres i cirka 1 minut for at hjælpe med at undgå utilstrækkelig forsyning af kølemiddel i opvarmningsfunktion, når kølemidlet opbevares i en indendørsenhed, der har været slukket eller termoslukket.

Innehåll

1. Säkerhetsåtgärder	110	6. Montering av avgreningsdosa	115
2. Val av plats vid installationen	110	7. Installation av köldmedelsrörledningen	115
3. Kontroll av medföljande tillbehör	111	8. Elektriskt arbete	117
4. Dimensioner och erforderligt serviceutrymme för avgreningsdosa	111	9. Testkörning	121
5. Köldmedelsrör	114		

Denna installationsanvisning är avsedd endast för installation av avgreningsdosa. För installation av inomhusenheter och utomhusenheter, se separat anvisning för respektive enhet.

1. Säkerhetsåtgärder

- ▶ Innan du installerar enheten bör du läsa igenom samtliga "Säkerhetsåtgärder".
- ▶ Rapportera installationen till elverket eller inhämta deras tillstånd innan utrustningen ansluts till strömförsörjningen.len.
- ▶ PAC-MK•BC-serien är utformat som professionell utrustning.
- ▶ När du tar emot el från utomhusenheter, är kanske tillämpliga standarder för utomhusenheter inte tillgodosedda beroende på den inomhusenhet som används.

⚠ Varning:

Anger försiktighetsmått som bör vidtas för att förhindra att användaren utsätts för fara eller risk.

⚠ Försiktighet:

Beskriver säkerhetsåtgärder som bör följas för att undvika att enheten skadas.

⚠ Warning:

- Enheten får inte installeras av användaren.
- Be en återförsäljare eller behörig tekniker installera enheten.
- Följ instruktionerna i installationsanvisningen vid installationen och använd verktyg och rörkomponenter som speciellt utformats för köldmedlet som specificeras i installationsanvisningarna för utomhusenheter.
- Enheten ska installeras enligt anvisningarna för att risken för skador från jordbävningar, tyfoner och kraftig vind ska minimeras. En felaktigt installerad enhet kan falla ned och orsaka person- och maskinskador.
- Enheten måste fästas säkert på en konstruktion som kan bära dess vikt.
- Om luftkonditioneringen installeras i ett litet rum, måste man vidta åtgärder för att förhindra att köldmedelskoncentrationen i rummet överskrider säkerhetsgränsen i händelse av ett läckage. Om köldmedlet läcker ut och gör att koncentrationen överskrider gränsen, kan risker uppstå på grund av syrebrist i rummet.
- Vädra rummet om köldmedel läcker ur vid drift. Om köldmedel kommer i kontakt med öppen låga kan giftiga gaser utvecklas.
- Alla elarbeten måste utföras av behörig tekniker enligt lokala föreskrifter och anvisningarna i denna manual.
- Använd de angivna kablarna.
- Kopplingsblockets kåpa måste vara ordentligt monterad.
- Använd endast tillbehör som är godkända av Mitsubishi Electric och be en återförsäljare eller behörig tekniker installera dem.
- Användaren ska aldrig försöka reparera eller flytta enheten själv.

- När installationen är klar, kontrollera att det inte läcker ut köldmedel. Om det läcker ut köldmedel i rummet och det kommer i kontakt med lågan i en värmare eller campingkök, utvecklas giftiga gaser.
- Var noga med att ansluta nätsladdarna och anslutningskablarna till inomhusenheterna, utomhusenheterna och avgreningsdosorna direkt till enheten (utan mellanskarvdon). Mellanskarvdon kan orsaka otillräcklig jordning eller dålig kontakt vid skarvningssyftet.
- (Om ett mellanskarvdon erfordras, säkerställ att vatten ej kan tränga in i sladdarna.)

2. Val av plats vid installationen

* Avgreningsdosan är enbart avsedd för inomhusbruk.

- Säkerställ att avgreningsdosan installeras på en plats där det är lätt att utföra service och underhåll. (se till så att tillräckligt stort underhållshål eller serviceutrymme förefinnes).

- Installera ej i närheten av sovrum. Ljudet som uppstår då köldmedlet transporteras runt i rören kan vara hörbart.
- Se till så att placeringen är sådan att det ljud som uppstår vid drift ej verkar störande. Sedan strömmen slagits på eller efter en stunds vila, kan ett klickande ljud höras från avgreningsdosans inre. Den elektroniska expansionsventilen öppnas och stängs. Enheten är hel.

- Bestäm i förväg hur rördragningen för köldmedelsrör, dräneringsrör liksom för elkablar skall utföras.

När installationen är klar, förklara "Säkerhetsåtgärder" för enheten, hur den används och underhålls för kunden enligt informationen i bruksanvisningen och utför provkörningen för att kontrollera att den fungerar som den ska. Användaren ska behålla både installationsanvisningen och bruksanvisningen. Dessa manualer ska lämnas över till kommande användare.

⚡ : Indikerar en del som måste jordas.

⚠ Varning:

Läs noga texten på alla dekaleringar på huvudenheten.

⚠ Försiktighet:

- Tillse att de båda köldmedelsrören isoleras ordentligt för att förhindra kondensation. Otillräcklig isolering kan orsaka kondens på röryrorna och väta ner golv, tak och annan egendom.
- Använd inte enheten i en ovanlig miljö. Om luftkonditioneringen installeras på platser som utsätts för ånga, flyktiga oljor (inklusive maskinolja) eller svavelhaltiga gaser, områden med hög salthalt, t.ex. vid havet, kan prestandan minskas betydligt och de inre delarna kan skadas.
- Installera inte enheten där brännbara gaser kan läcka ut, skapas, flöda, eller ackumuleras. Om brännbar gas samlas runt aggregatet, kan brand eller explosion uppstå.
- Vid installation av enheten på ett sjukhus eller kommunikationskontor, bör det förberedas för buller och elektroniska störningar. Växelriktare, hushållsapparater, högfrekvent medicinsk utrustning, och radiokommunikationsutrustning kan orsaka att luftkonditioneringen fungerar dåligt eller havererar. Luftkonditioneringen kan även påverka medicinsk utrustning, stora medicinsk vård, och kommunikationsutrustning, samt skada skärmkvaliteten.
- Värmeisolering av kylröret är nödvändig för att förhindra kondens. Om kylröret inte är ordentligt isolerat, kommer kondens att bildas.
- Värmeisolera rören för att förhindra kondens. Om dräneringsröret är felaktigt monterat, kan detta leda till vattenläckage och skador på tak, golv, möbler eller andra ägodelar.
- Rengör inte luftkonditioneringsaggregatet med vatten. Detta kan leda till elektriska stötar.
- Dra åt alla flänsmuttrar enligt specifikation med momentnyckel. Om de dras åt för mycket kan flänsmuttrarna gå sönder efter en längre period.
- Se till att installera kretsbytare. Om kretsbytare inte är installerade, kan elstötar uppstå..
- Använd standardkablar med en tillräcklig kapacitet för kraftledningar. Annars kan en kortslutning, överhettning eller brand uppstå.
- Vid montering av kraftledningar ska spänningen till kablarna vara fränkopplad. Om anslutningarna lossas kan kablarna gå av eller gå sönder och överhettning eller brand kan uppstå.
- Anslut inte jordkablar till gas- eller vattenledningar, åskledare eller telefonjordledningar. Om enheten inte är ordentligt jordat kan elstötar uppstå.

- Säkerställ att placeringen av installationen är sådan att längden av köldmedelsrören kommer att ligga inom de angivna gränserna.

• Installera ej på en plats som under längre tid är varm eller fuktig.

- Säkerställ att avgreningsdosan installeras ovanför innetaket i en korridor, ett badrum, osv., där personer inte regelbundet uppehåller sig (Undvik installering i mitten av rum) ur underhållssynpunkt.

* Säkerställ att enheten installeras på en plats som förmår bära dess vikt.

⚠ Varning:

Säkerställ att enheten på ett säkert sätt installeras på en plats som förmår bära dess vikt.

Om installationen inte har tillräcklig styrka, kan enheten falla och orsaka personskador.

3. Kontroll av medföljande tillbehör

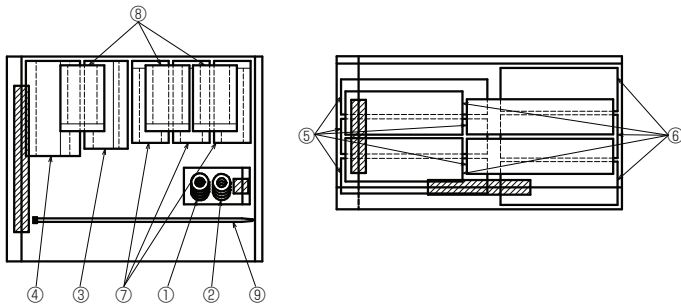


Fig. 3-1

3.1. Kontrollera avgreningsdosans tillbehör och delar

	Tillbehörets namn	Antal		
		PAC-MK30BC	PAC-MK50BC	
①	Bricka (med isolering)	4	4	
②	Bricka	4	4	
③	Rörskydd (Vätska)	1	1	Till utomhusenhet
④	Rörskydd (Gas)	1	1	Till utomhusenhet
⑤	Rörskydd (Vätska)	3	5	Till inomhusenhet
⑥	Rörskydd (Gas)	3	5	Till inomhusenhet
⑦	Anslutningskåpa (Vätska)	1	3	
⑧	Anslutningskåpa (Gas)	1	3	
⑨	Band	16	24	

4. Dimensioner och erforderligt serviceutrymme för avgreningsdosa

Tillvalet anslutningar med olika diameter (deformerade)

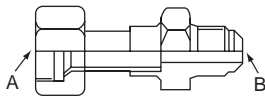


Fig. 4-1

Modellbeteckning	Anslutna rörs diameter	Diameter A	Diameter B
	mm	mm	mm
MAC-A454JP	ø9,52 → ø12,7	ø9,52	ø12,7
MAC-A455JP	ø12,7 → ø9,52	ø12,7	ø9,52
MAC-A456JP	ø12,7 → ø15,88	ø12,7	ø15,88
PAC-493PI	ø6,35 → ø9,52	ø6,35	ø9,52
PAC-SG76RJ-E	ø9,52 → ø15,88	ø9,52	ø15,88

- * Anslut två inomhusenheter eller mer till ett system.
- * 1-2 avgreningsdosor kan anslutas till en utomhusenhet.
- * Upphångningsbult: W3/8 (M10)
- * Flänsanslutning för köldmedelsrör

* Röranslutningsstorleken varierar beroende på inomhusenhetens typ och prestanda. Matcha inomhusenhetens röranslutningsstorlek mot avgreningsdosans. Om röranslutningsstorleken för avgreningsdosan inte överensstämmer med röranslutningsstorleken för inomhusenheten, använd tillvalet anslutningar med olika diameter (deformerade) på avgreningsdosansidan. (Anslut deformerad anslutning direkt på avgreningsdosansidan).

■ PAC-MK50BC (typ med 5 förgreningar)

(mm)

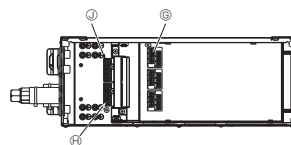
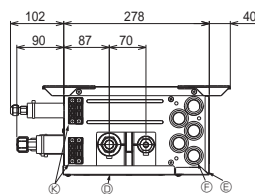
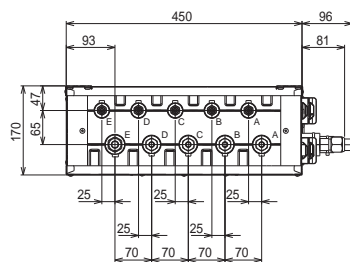
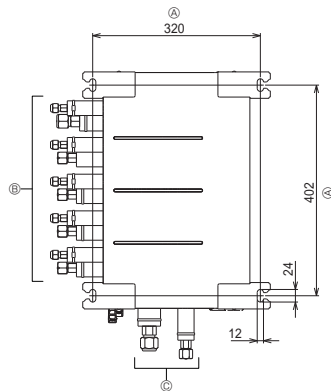


Fig. 4-2

- Ⓐ Håldelning för upphångningsbult
- Ⓑ Till inomhusenheten
- Ⓒ Till utomhusenheten
- Ⓓ Servicepanel (för LEV, TERMISTOR)
- Ⓔ Elektrisk hölje
- Ⓕ Gummibussning
- Ⓖ Uttagsplint (till inomhusenheten på styrkortet)
- Ⓗ Uttagsplint (till utomhusenheten)
- Ⓙ Uttagsplint (för kommunikationskabeln)
- Ⓚ Kabelklämma

* Säkerställ att avgreningsdosan installeras enligt nedanstående teckning.

■ PAC-MK50BC (Fig.4-2)

Upphångningsbult: W3/8 (M10)

Flänsanslutning för köldmedelsrör

	mm					
	A	B	C	D	E	Till utomhusenhet
Vätskerör	ø6,35	ø6,35	ø6,35	ø6,35	ø6,35	ø9,52
Gasrör	ø9,52	ø9,52	ø9,52	ø9,52	ø12,7	ø15,88

Omräkningsformel

1/4 F	ø6,35
3/8 F	ø9,52
1/2 F	ø12,7
5/8 F	ø15,88
3/4 F	ø19,05

4. Dimensioner och erforderligt serviceutrymme för avgreningsdosa

■ PAC-MK30BC (3-förgreningstyp)

(mm)

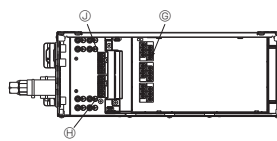
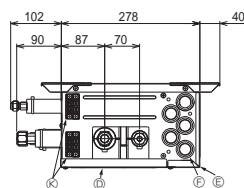
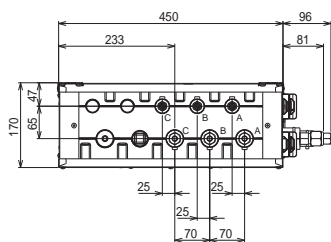
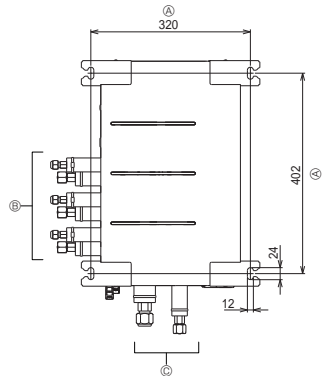


Fig. 4-3

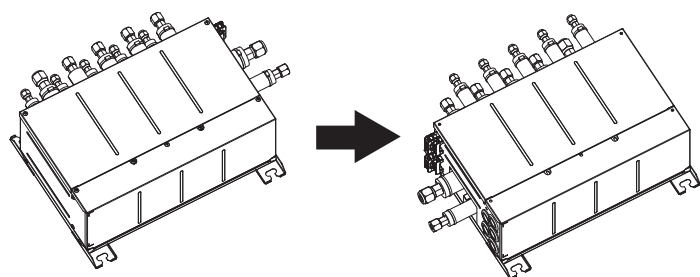
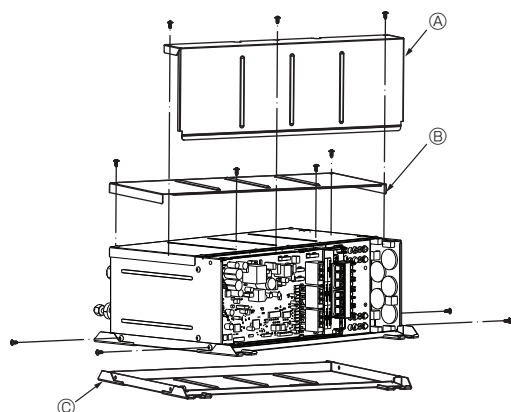


Fig. 4-4

② Ta bort det elektriska höljet, servicepanelen och den övre panelen.

- Ⓐ Elektriskt hölje
- Ⓑ Servicepanel
- Ⓒ Övre panel



■ PAC-MK30BC (Fig.4-3)

Upphängningsbult: W3/8 (M10)

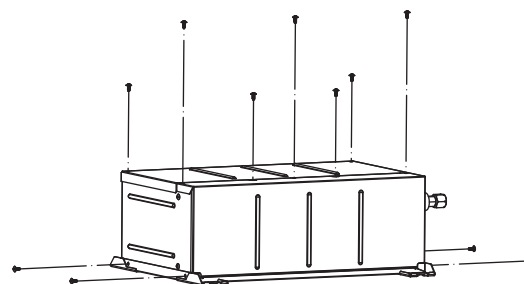
Kylrör med flänsad anslutning

mm

	A	B	C	Till utomhusenheten
Vätskerör	ø6,35	ø6,35	ø6,35	ø9,52
Gasrör	ø9,52	ø9,52	ø9,52	ø15,88

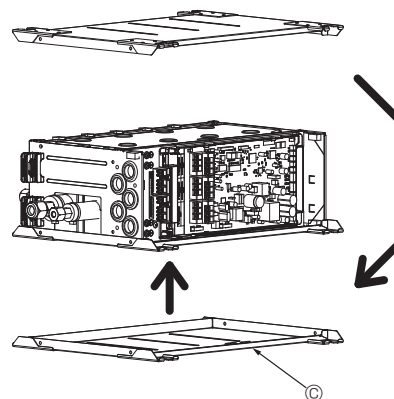
4.1. Rörledningens riktning kan ändras. (Fig.4-4). [Arbetsätt] (Fig. 4-5)

① Ta bort skruvarna i varje del.



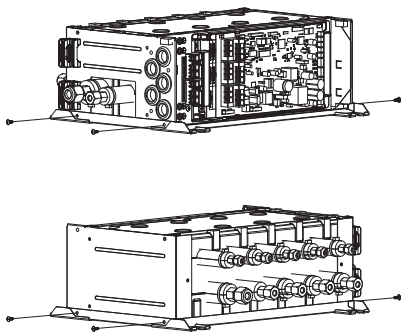
③ Installera den övre panelen på den motsatta ytan.

- Ⓒ Övre panel



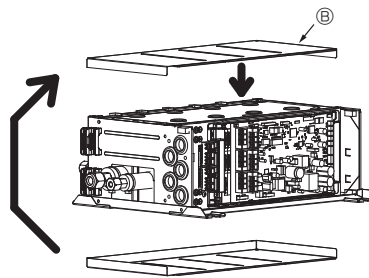
4. Dimensioner och erforderligt serviceutrymme för avgreningsdosa

④ Dra åt skruvarna i varje del.

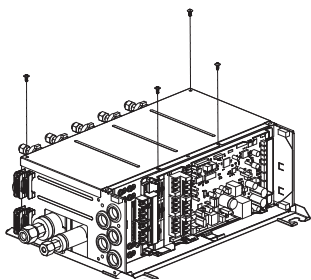


⑤ Installera servicepanelen på den motsatta ytan.

ⓑ Servicepanel

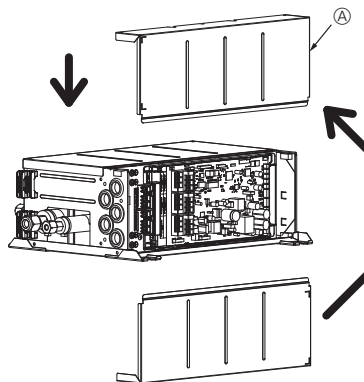


⑥ Dra åt skruvarna.



⑦ Installera det elektriska höljet på den motsatta ytan.

ⓐ Elektriskt hölje



⑧ Dra åt skruvarna.

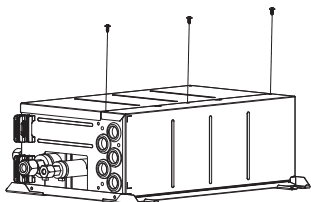


Fig. 4-5

4. Dimensioner och erforderligt serviceutrymme för avgreningsdosa

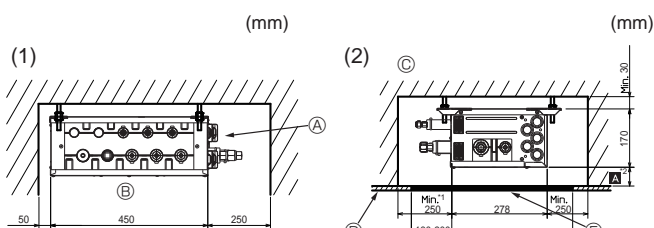


Fig. 4-6

Fig. 4-7

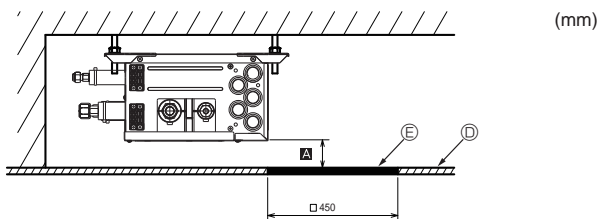


Fig. 4-8

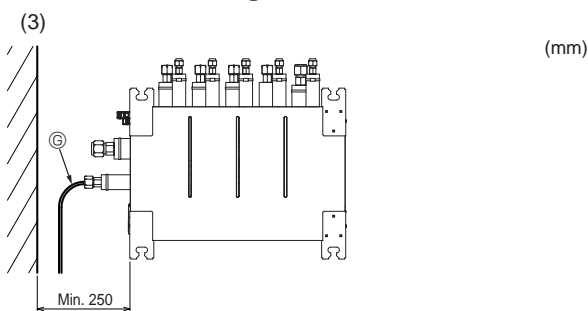


Fig. 4-9

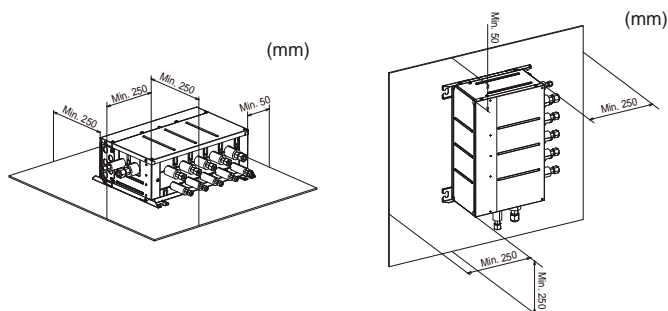


Fig. 4-10

Fig. 4-11

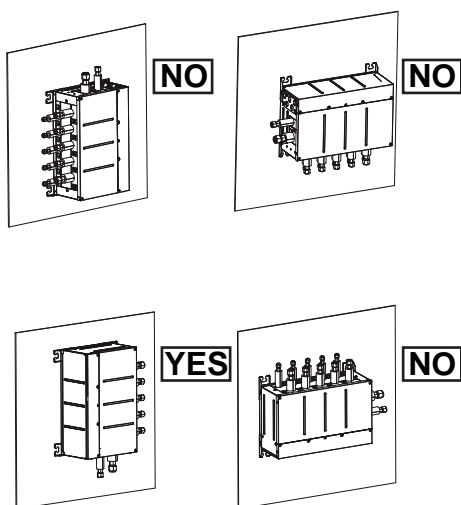


Fig. 4-12

4.2. Utrymme som erfordras för installation och service

I . Utrymmet vid montering med upphängningsbultarna.

- (1) Framifrån sett (Fig. 4-6)
 - Ⓐ Avgreningsdosa
 - Ⓑ På sidan av rörledningen
- (2) Sett från sidan (Fig. 4-7, Fig. 4-8)
 - Ⓒ För installationer inomhus
 - Ⓓ Innertakspanel
 - Ⓔ Underhållshål

*1: Minst 350 mm krävs för 90° böjar i köldmedelsrör.

*2: Ⓐ är "Min. 200 mm" <rekommendation>.

I fallet av mindre än 200 mm (till exempel Ⓐ är 100 mm), kan det vara svårt att komma åt avgreningsdosa från underhållshålet. (Enbart byte av kretskort, spolar för linjära expansionsventilen, givare och dränerkärl är möjligt).

*3: Ⓑ är "□ 600 mm" <rekommendation>.

I den händelse av "□ 450", förbered ett underhållshål på kretskortssidan (som den visas i Fig. 4-7) där "Min. 300 mm" krävs som avstånd Ⓐ.

I fallet av mindre än 300 mm (till exempel Ⓐ är 100 mm), kan det vara svårt att komma åt avgreningsdosa, spolar för linjära expansionsventilen, givare och dränerkärl från underhållshålet. (Enbart byte av kretskort, är möjligt).

- (3) Sett ovanifrån (Fig. 4-9)
 - Ⓒ Köldmedelsrör

II . Utrymmet vid montering på golvet (Fig. 4-10)

III . Utrymmet vid montering på en vägg. (Fig. 4-11)

Installationsriktningen är begränsad när du installerar på en vägg. (Fig. 4-12)

Vid installation av enheten på en vägg, ska rörsystemet som är anslutet till utomhusenheten installeras nedåt. Andra sätt är inte godtagbara.

5. Köldmedelsrör

* Följ alltid de specifikationer som finns angivna i installationsanvisningarna för utomhusenheten. Om dessa krav ej efterlevs, kan detta leda till försämrade prestanda för utrustningen, liksom till tekniska fel.

6. Montering av avgreningsdosa

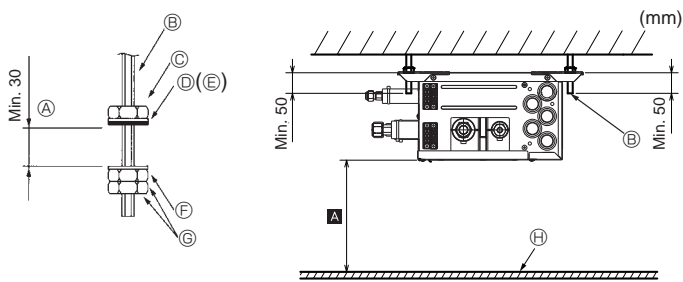


Fig. 6-1

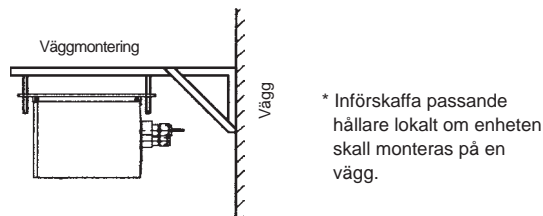


Fig. 6-2

- (1) Installera upphängningsbultarna (införskaffas lokalt) med angivet mellanrum. (Fig. 4-2, 4-3).
- (2) Montera brickor och muttrar (①, ②, införskaffas lokalt) på upphängningsbultarna. (Fig. 6-1)
- (3) Häng upp enheten på upphängningsbultarna.
- (4) Dra åt muttrarna helt (kontrollera takhöjden).
- (5) Justera in avgreningsdosan i våg med hjälp av ett vattenpass.

- Ⓐ När enheten är upphängd och upphängningsbultarna är åtdragna.
- Ⓑ Uphängningsbult
- Ⓒ Muttrar
- Ⓓ Bricka (med packning) ①
- Ⓔ Säkerställ att packningen är vänd nedåt
- Ⓕ Bricka (utan packning) ②
- Ⓖ Mutter (införskaffas lokalt)
- Ⓗ Innertakspanel.

7. Installation av köldmedelsrörledningen

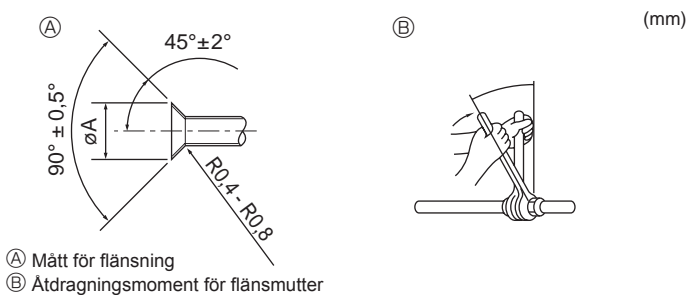


Fig. 7-1

Ⓐ Mått för flänsning

Ⓑ Åtdragningsmoment för flänsmutter

Tabell 1

Kopparrör Y.D. (mm)	Flänsmått $\varnothing A$ mått (mm)
$\varnothing 6,35$	8,7-9,1
$\varnothing 9,52$	12,8-13,2
$\varnothing 12,7$	16,2-16,6
$\varnothing 15,88$	19,3-19,7

Ⓑ Åtdragningsmoment för flänsmutter

Tabell 2

Kopparrör Y.D. (mm)	Flänsmutter O.D. (mm)	Åtdragningsmoment (N•m)
$\varnothing 6,35$	17	14-18
$\varnothing 6,35$	22	34-42
$\varnothing 9,52$	22	34-42
$\varnothing 12,7$	26	49-61
$\varnothing 12,7$	29	68-82
$\varnothing 15,88$	29	68-82
$\varnothing 15,88$	36	100-120

- Anslut vätske- och gasrören för respektive inomhusenhet till samma ändanslutningsnummer som de som anges på inomhusenhetens flänsanslutningsdel på respektive avgreningsdosa. Om de ansluts till fel ändanslutningsnummer, kommer det ej att fungera korrekt.
- Vid anslutning av inomhusenheter, se till att ansluta köldmedelsrör och anslutningskablar till korrekt anslutningsportar, markerade med överensstämmande bokstäver. (T.ex.: A, B, C, D, E)

Obs:

Var noga med att märka upp alla lokala rörledningar (vätskerör, gasrör, osv.) på respektive inomhusenhet så att det klart framgår till vilket rum de hör (T.ex.: A, B, C, D, E)

► Notera inomhusenheternas modellbeteckningar på namnplåten på Avgreningsdosans kontrollåda (för identifieringsändamål).

- Genomför tillräckliga antikondens- och isoleringsarbeten för att förhindra att vatten droppar från kylrören. (Vätskerör/gasrör)
 - Öka isoleringen beroende på miljön där kylrören är installerade, annars kan kondens uppstå på ytan av isoleringsmaterialet. (Isoleringsmaterial, värmetetlig temperatur: 120°C, tjocklek: 15 mm eller mer)
 - * När kylrör används på platser med hög temperatur och luftfuktighet, t.ex. på vinden, kan ytterligare tillägg av isolering behövas.
 - För att isolera kylrör, använd värmebeständigt polyetenscum mellan inomhusenheten och isoleringsmaterialet samt till nätet mellan isoleringsmaterialet för att fylla alla luckor. (Kondens som bildas på rören kan leda till kondens i rummet eller brännskador vid kontakt med rören.)
 - Vid användande av i handeln förekommande köldmedelsrör, säkerställ att såväl vätske- som gasrören lindas in i med i handeln förekommande värmeisoleringsmaterial (minst 12 mm tjockt isoleringsmaterial som tål temperaturer på över 100 °C).
 - Se utomhusenhetens installationsanvisning vid upprättande av ett vakuum och vid öppning och stängning av ventiler.
- (1) Avlägsna flänsmuttrarna och hattarna från avgreningsdosan.
 - (2) Flänsa båda ändarna på vätske- och gasrören, och applicera köldmedelsolja (införskaffas lokalt) på det flänsade sätet. Använd inte olja på den gängade delen.
 - (3) Anslut köldmedelsrören omedelbart. Dra alltid åt de flänsade muttrarna till det vridmoment som anges i nedanstående tabell med användande av en momentnyckel och en fast nyckel.
 - (4) Pressa rörskydden ③ och ⑤ på vätskerörledningen mot enheten, och linda för att hålla på plats. (Fig. 7-3)
 - (5) Pressa rörskydden ④ och ⑥ på gasrörledningen mot enheten, och linda för att hålla på plats. (Fig. 7-3)
 - (6) Anbringa de medföljande banden ⑨ på ett avstånd av 10-20 mm från respektive ände av rörskydden (③ ④ ⑤ ⑥).
 - (7) Om inomhusenheten inte är ansluten, montera de medföljande rörskydden (med hattar, ⑦ och ⑧) på avgreningsdosans köldmedelsrörsanslutningar för att förhindra att kondens droppar från rören. (Fig. 7-4)
 - (8) Kläm rörskydden (⑦ ⑧) på plats med de medföljande banden ⑨.

7. Installation av köldmedelsrörledningen

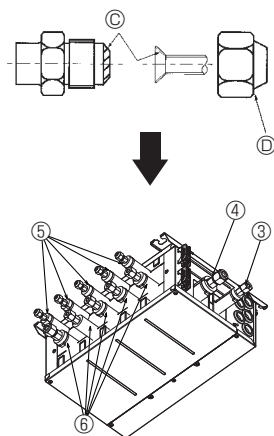


Fig. 7-2

⚠ Försiktighet:

Dra åt flänsmuttern med momentnyckel enligt angiven metod. Om den dras åt för hårt, kommer flänsmuttern att spricka och orsaka läckage av köldmedel under en tid.

- Ⓢ Applicera köldmedelsolja på flänssätets hela (Fig. 7-2)yta.
- Ⓢ Använd huvudsakligen flänsade muttrar monterade på huset (i handeln förekommande flänsade muttrar kan spricka).

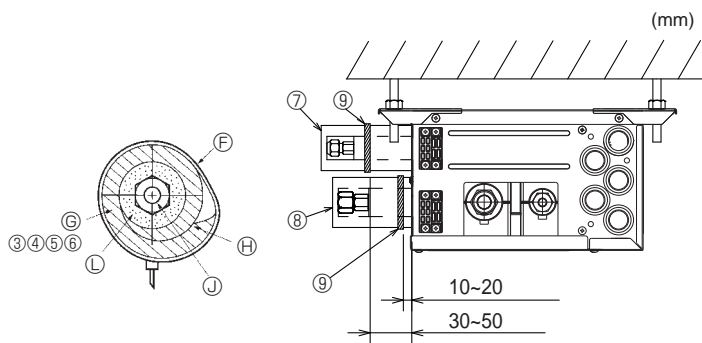


Fig. 7-3

Fig. 7-4

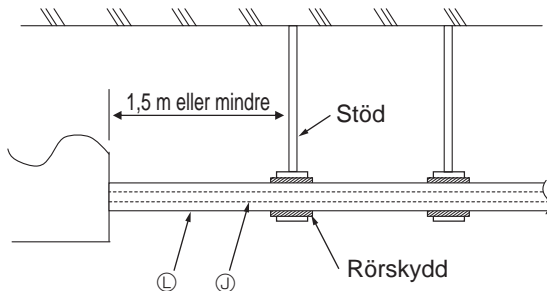


Fig. 7-5

Obs:

En speciell flänsmutter (tillval eller fäst vid inomhusenheten) krävs för vissa inomhusenheter. Mer information finns i utomhusenhetens och inomhusenhetens installationshandbok.

- Ⓢ Band Ⓢ
- Ⓢ Rörskydd Ⓢ ④ ⑤ ⑥
- Ⓢ Dra åt
- Ⓢ Köldmedelsrör
- Ⓢ Värmeisolering för köldmedelsrör

► Gör på följande sätt för de delar av avgreningsdosan som ej är anslutna till en inomhusenhet. (Fig. 7-4)

- (1) För att förhindra läckage av köldmedel, dra åt de flänsade muttrarna till angivet vridmoment* enligt tabell 3.
* Köldmedel kan även läcka ut om de flänsade muttrarna dras åt för hårt.
- (2) För att förhindra kondensation, montera rörskydd ⑦ ⑧ och sätt fast dem med de medföljande banden ⑨.

Tabell 3

Diametrar på öppningar i avgreningsdosan för anslutning av inomhusenheter (mm)	Åtdragningsmoment (N·m)
∅6,35	13 ± 2
∅9,52	30 ± 2
∅12,7	50 ± 2

► Påfyllning av köldmedel:

Se installationsanvisningen för utomhusenheten. Använd endast köldmedel R410A (om andra köldmedel används kan detta medföra problem).

⚠ Varning:

För att undvika alltför stor påfrestning på förgreningsdosan, ska rörsystemet stötts upp av ett eller flera stöd på 1,5 m eller mindre från förgreningsdosan. Se Fig. 7-5 som exempel.

- Ⓢ Kylrör
- Ⓢ Värmeisolering för kylrör

8. Elektriskt arbete

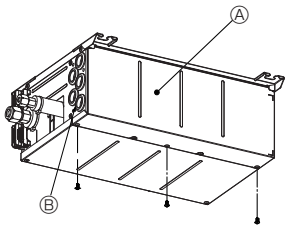


Fig. 8-1

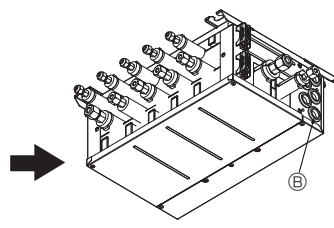


Fig. 8-2

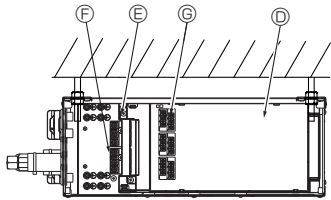


Fig. 8-3

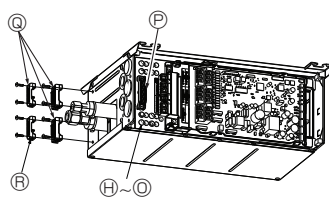


Fig. 8-4

- Ⓐ Elektriskt hölje
- Ⓑ Gummibussning
- Ⓒ Ledningsdragning
- Ⓓ Styrkort
- Ⓔ Uttagsplint: TB5
- Ⓕ Uttagsplint: TB2B <Till utomhusenheten>
- Ⓖ Uttagsplint: TB3A-TB3E <Till inomhusenheten>
- Ⓗ Jordningsuttag <Till utomhusenheten>

- Ⓚ Jordningsuttag <För TB3A>
- Ⓛ Jordningsuttag <För TB3B>
- Ⓜ Jordningsuttag <För TB3D>
- Ⓝ Jordningsuttag <För TB3C>
- Ⓞ Jordningsuttag <För TB3E>
- Ⓟ Jordningsuttag <Till annan förgreningsdosa>
- Ⓠ Kabelklämma <För TB2B>
- Ⓡ Kabelklämma <För TB3A-TB3E>
- Ⓢ Kabelklämma <För TB5>

► Försiktighetsåtgärder vid elarbeten.

⚠ Varning:

- Använd alltid därför avsedda, med säkringar försedda kretsar, och vid den märkta spänningen.

Elledningar med otillräcklig kapacitet liksom felaktiga elinstallationer, kan orsaka elektriska stötar eller brand.

⚠ Försiktighet:

- Var noga med att jorda. Jorda ej enheten till ledningsrör eller telefonens jord. Otillräcklig jordning kan orsaka elektriska stötar. En plötslig spänningsökning orsakad av blixten eller annan källa, kan leda till att luftkonditioneraren skadas.

- Använd endast elkablar med angivna specifikationer, tillse att de ansluts på ett korrekt sätt, samt att de ej är sträckta.

Uppfylls ej dessa krav, kan detta leda till ledningsbrott, överhettning och brand.

► Innan du slår på förgreningsdosa, se till att ställa in omkopplarna.

► För att slå på strömmen, slå på förgreningsdosa och sedan utomhusenheten, i den ordningen.

(Om kraftförsörjningen för förgreningsdosa och utomhusenheten är separerade)

► Kablar som ansluter avgreningsdosa och utomhusenheten, och avgreningsdosa och inomhusenheten, fungerar både som strömförsörjnings- och signalkablar. Anslut dessa ledningar i överensstämmelse med siffrorna på kopplingsplintarna för att säkerställa korrekt polaritet.

► Säkerställ att tillämpliga köldmedelsledningar och elledningar ansluts till respektive inomhusenhet. Felaktig anslutning kommer att omöjliggöra att enheten fungerar på ett korrekt sätt.

► Anslut köldmedelsrör och anslutningskablar till korrekt anslutningsportar, markerade med överensstämmande bokstäver. (Ex. A, B, C, D, E) på denna enhet.

► Anslut först strömkabeln från utomhusenheten.

► Fastgör alltid respektive jordledning separat med användande av jordskruv.

► För att förhindra att kablar som installeras i innertak skadas av att råttor äter på dem osv., måste kablarna dras i ledningskanaler.

1. Montera loss skruvarna i kåpan. (Fig. 8-1)

2. För in ledningarna i förgreningsdosa, och sätt varje ledning på plats med en kabelklämma. (Se 8.1)

3. Anslut respektive kabel ordentligt till korrekt kopplingsplint. (Fig. 8-8)

4. Ställ in dip-omkopplare (Se 8.3)

5. Sätt tillbaka det elektriska höljet.

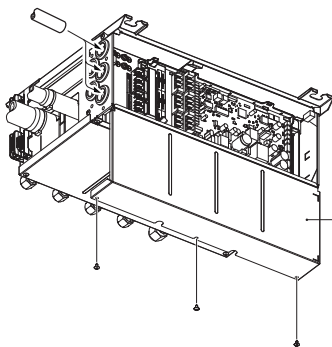


Fig. 8-5

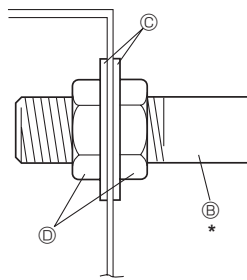


Fig. 8-6

8.1. Vid användande av ledningskanaler (Fig. 8-5,6,7)

Sätt tillbaka det horisontella skyddet när ledningskanalen monterats på plats.

- Ⓐ Kåpa
- Ⓑ Ledningskanal
- Ⓒ Bricka
- Ⓓ Mutter

Ledningskanaler med en ytterdiameter av upp till 1" kan användas.

(1) Vid användande av ledningskanaler med en ytterdiameter om 1", avlägsna bussningen och gör fast i avgreningsdosa. Avlägsna det horisontella skyddet under fastgöring i avgreningsdosa.

(2) Vid användande av ledningskanaler med en ytterdiameter om 3/4", eller mindre, gör spår i brickan och för in ledningskanalen ca. 100 mm i avgreningsdosa.

* Sätt tillbaka det horisontella skyddet när ledningskanalen monterats på plats.

⚠ Varning:

För att undvika alltför stor påfrestning på förgreningsdosa, ska kopplingsledning Ⓑ stötta upp av ett eller flera stöd på 1,5 m eller mindre från förgreningsdosa.

Se Fig. 8-7 som exempel.

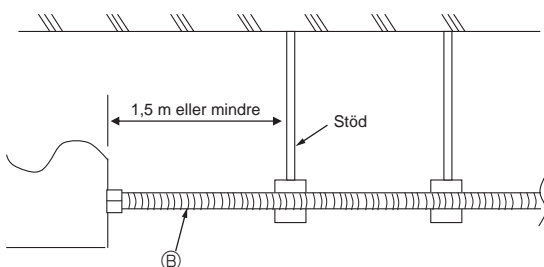


Fig. 8-7

8. Elektriskt arbete

■ Förse separat kraftförsörjning till förgreningsdosan och utomhusenheten

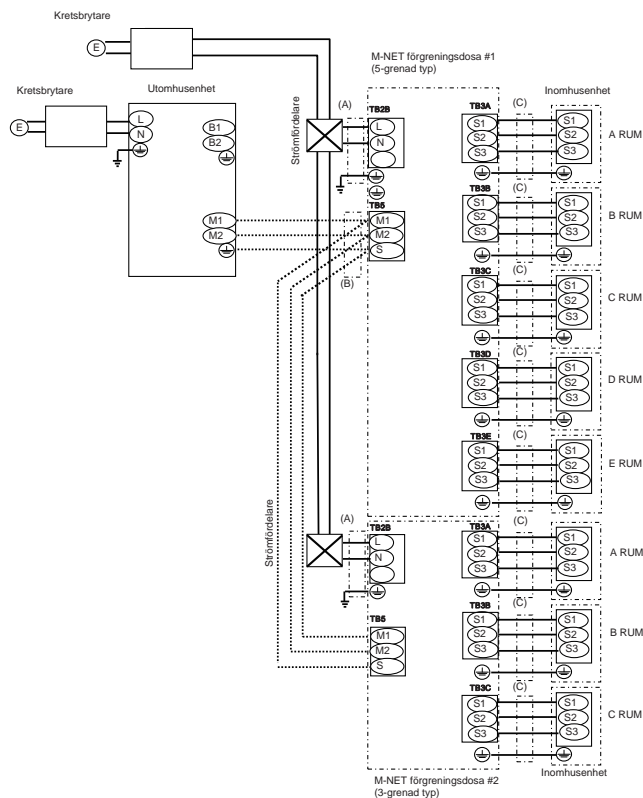
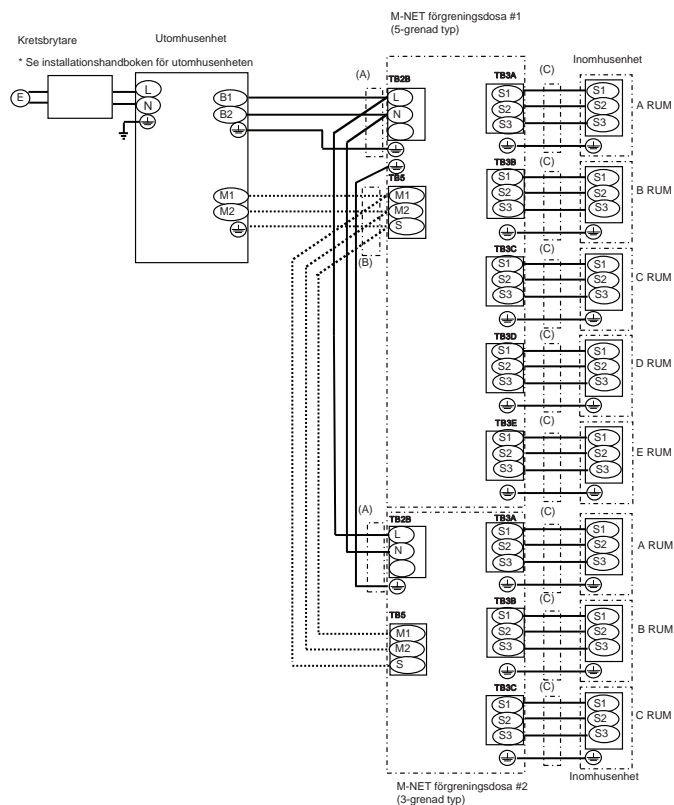


Fig. 8-8

8.2. Externt kopplingsförfarande (Fig. 8-8, Fig 8-9)

■ Strömförsörjning från utomhusenheten



© Strömförsörjning: Enfas 220/230/240 V 50 Hz, 220 V 60 Hz

Anm:

- 1 Anslut ledningarna (B), (C) enligt plintnamnet för att säkerställa rätt polaritet.
- 2 När det gäller ledning (C), används S1 och S2 för anslutning av strömkällan. Och S2 och S3 är endast för signaler. S2 är gemensam kabel för strömkällan och signalen.

Kabeldiameter		
(A) Huvudkraftledning/ jordledning	(B) M-NET-kabel, CVVS- skyddsledning eller CPEVS	(C) Signalledning/ jordledning
3-kärnig, 2,5 mm ²	2-kärnig, 1,25 mm ² mindre än 200 m	4-kärnig, 1,5 mm ² mindre än 25 m

Vid användning av tvinnad tråd för kabeldragningen, krävs användning av en rund terminal.

Obs: 1. Kabeltjockleken måste överensstämma med nationella föreskrifter.

2. Elkablar och anslutningsledningar för inomhusenhet/avgreningsdosa/ utomhusenhet får inte vara lättare än neoprenskärmad, böjlig kabel. (Design 60245 IEC 57)

3. Installera en jordledning som är längre än kraftkablarna.

4. Bunta inte ihop M-NET-kabeln med anslutningskabeln och strömförsörjningskabeln.

Det kan orsaka felaktig funktion.

⚠ Varning:

Skarva aldrig kabeln, detta kan resultera i rökbildning, brand eller kommunikationsfel.

M-NET förgreningsdosa (5-grenad typ)

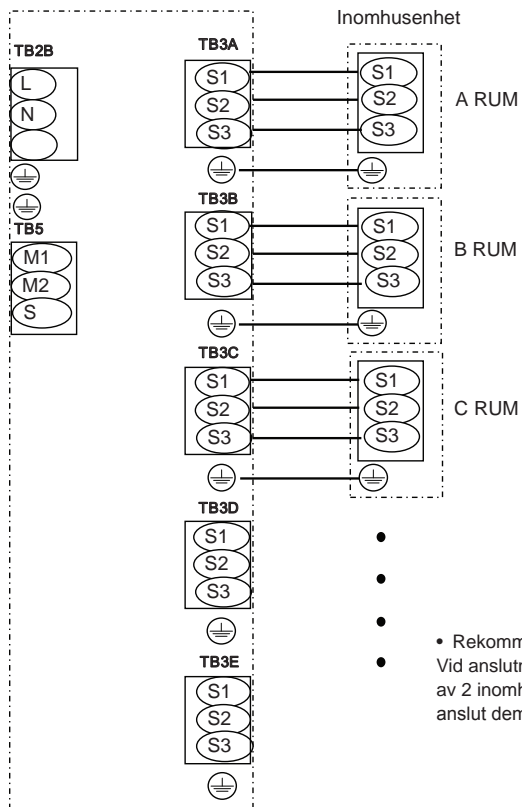


Fig. 8-9

- Rekommenderad anslutningsmetod

Vid anslutning av en inomhusenhet till förgreningsdosan, anslut den till TB3A. Vid anslutning av 2 inomhusenheter, anslut dem till TB3A och TB3B. Vid anslutning av 3 inomhusenheter, anslut dem till TB3A, TB3B och TB3C. Anslut inomhusenheterna i ordningen A→B→C→D→E.

8. Elektriskt arbete

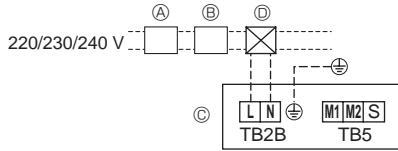


Fig. 8-10

Strömförsörjningsledningar (förse separat kraftförsörjning till grenlådan och utomhusenheten)

- Installera en jordledning som är längre än andra kablar.
- Strömkablarna från apparaten får inte vara lättare än utformning 245IEC57 eller 227IEC57, 245 IEC 53 eller 227 IEC 53.
- En strömbrytare med minst 3 mm, 1/8 tum kontaktavstånd i varje pol ska tillhandahållas vid installation av luftkonditioneringen.

[Fig. 8-10]

- Ⓐ Jordfelsbrytare
- Ⓑ Lokal brytare/kabelbrytare
- Ⓒ Förgreningsdosa
- Ⓓ Strömfördelare

Total driftsström för inomhusenheten	Minsta trådtjocklek (mm ² /AWG)					Brytare för kabeldragning (NFB)	Jordfelsbrytare *1
	Matarledning	Förgrening	Jord	Kapacitet	Säkring		
F0 = 15A eller mindre *2	2,1/14	2,1/14	2,1/14	15	15	15	15A Strömkänslighet *3
F0 = 20A eller mindre *2	3,3/12	3,3/12	3,3/12	20	20	20	20A Strömkänslighet *3
F0 = 30A eller mindre *2	5,3/10	5,3/10	5,3/10	30	30	30	30A Strömkänslighet *3

Applicera IEC61000-3-3 som den maximala tillåtna systemimpedansen.

*1 Jordfelsbrytaren bör stödja inverterarkretsar.

Jordfelsbrytaren bör kombineras med en lokal brytare eller ledningsbrytare.

*2 Ta det större värdet av F1 eller F2 som värdet för F0.

F1 = total maximal driftsström för inomhusenheterna × 1,2

F2 = (V1/C)

Anslut till förgreningsdosan (PAC-MK•BC)

Inomhusenhet	V1	V2
Typ 1 SEZ-KD•VA, PCA-RP•KAQ, PLA-ZRP•BA(.UK)	19,8	2,4
Typ 2 PEAD-RP•JAQ(L).UK	26,9	
Typ 3 MLZ-KA•VA, SLZ-KA•VAQ(L)3	9,9	
Typ 4 MSZ-FH•VE, MSZ-SF•VE, MSZ-EF•VE, MSZ-SF•VA	6,8	
Typ 5 MFZ-KJ•VE	7,4	
Typ 6 Förgreningsdosa (PAC-MK•BC)	5,1	

Anslut till anslutningsatsen (PAC-LV11M)

Inomhusenhet	V1	V2
Typ 1 MSY-EF•VE, MSY-GE•VA, MSY-GH, MSZ-GE•VA, MSZ-SF•VA, MSZ-SF•VE, MSZ-EF•VE, MSZ-FH•VE	6,8	2,4
Typ 2 MFZ-KJ•VE	7,4	
Typ 3 Anslutningsats (PAC-LV11M)	3,5	

Inomhusenhet	V1	V2
Typ 1 PMFY-VBM, PLFY-VBM, PEFY-VMS1, PCFY-VKM, PKFY-VHM, PKFY-VKM, PFFY-VLRMM, PFFY-VKM	19,8	2,4
Typ 2 PLFY-VCM	9,9	
Typ 4 PKFY-VBM	3,5	
Typ 5 PEFY-VMA	38,0	1,6
Typ 6 PLFY-VLMD, PEFY-VMH, PEFY-VMR, PDFY-VM, PFFY-VLEM, PFFY-VLRM	0	0

C : Multipel utlösningsström vid utlösningstiden 0,01s

Vänligen välj "C" från brytarens utlösningsskarakteristik.

*Villkor förgreningsdosa × 2 + SEZ-KD • VA × 5, C = 8 (se höger exempeldiagram)

F2 = 5,1 × 2/8 + 19,8 × 5/8

= 14,9

→ 16A brytare (Utlösningssström = 8 × 16A vid 0,01 s)

*3 Strömkänsligheten beräknas enligt följande formel.

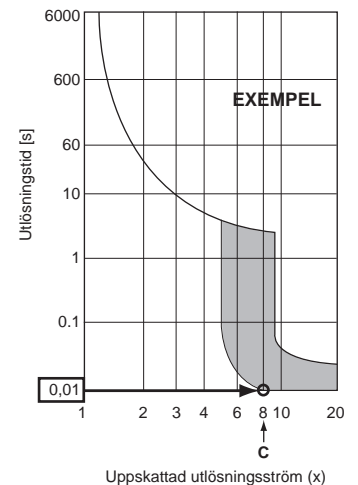
G1 = V2 + V3 × (kabelängd [km])

G1	Current sensitivity
30 eller mindre	30 mA 0,1 sek. eller mindre
100 eller mindre	100 mA 0,1 sek. eller mindre

Trådtjocklek (mm ² /AWG)	V3
2,1/14	48
3,3/12	56
5,3/10	66

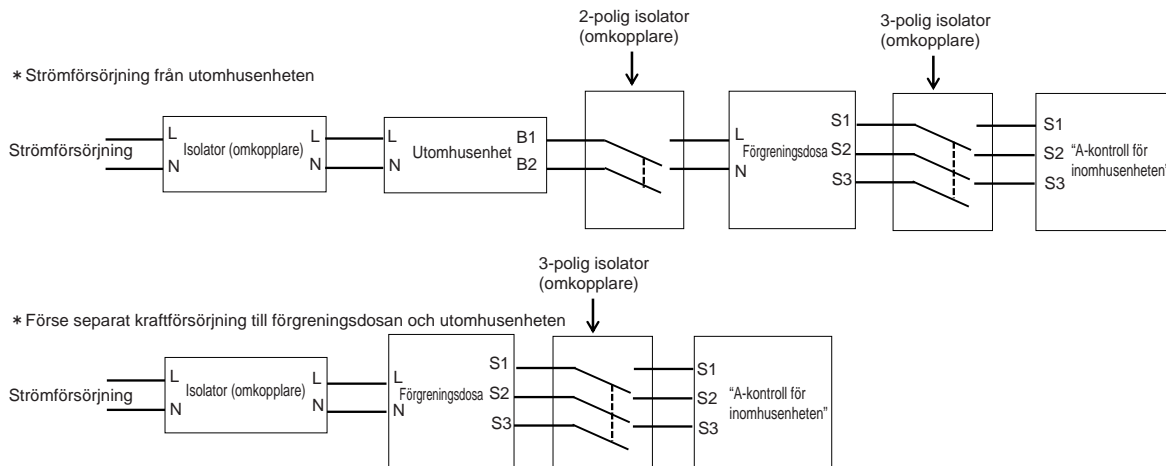
	V2
Inomhusenhet	2,4
Förgreningsdosa	3,0

Exempeldiagram



⚠ Varning:

I fallet med A-styrkablar, finns det en hög spänningspotential på S3-terminalen som orsakas av en elektrisk kretskonstruktion som inte har någon elektrisk isolering mellan kraftledningen och kommunikationssignalledningen. Därför ska du stänga av strömförsörjningen vid service. Och rör inte terminalerna S1, S2, S3 när strömmen aktiveras. Om en isolator ska användas mellan utomhusenheten och förgreningsdosan/inomhusenheten och förgreningsdosan, använd 3-polig typ.

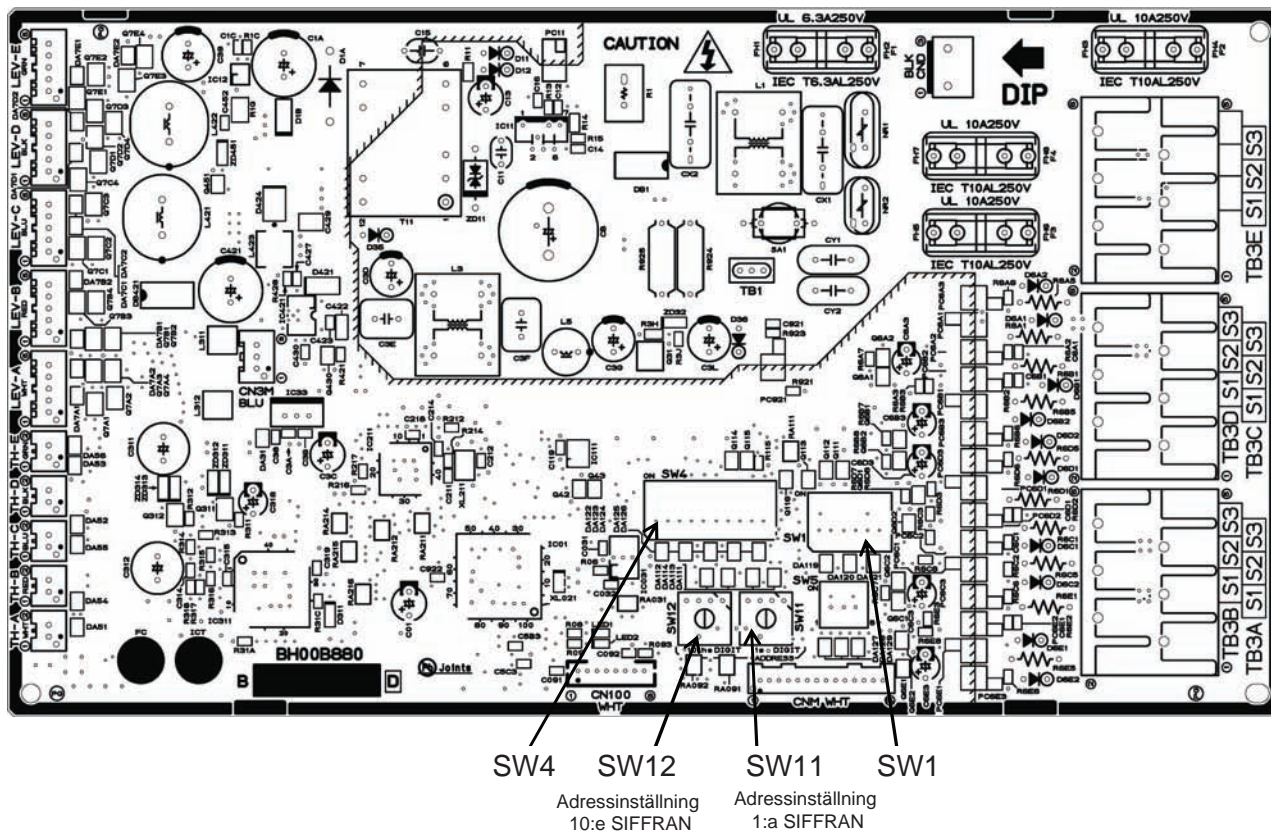


⚠ Varning:

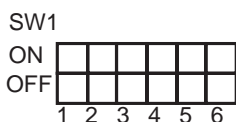
Efter användning av isolatorn, se till att stänga av och på huvudströmmen för att återställa systemet. I annat fall kanske utomhusenheten inte kan upptäcka förgreningsdosan(-dosorna) eller inomhusenheterna.

8. Elektriskt arbete

8.3. Omkopplingsinställning



Inställning av Dip-omkopplare (effektiv bara innan du slår på strömmen)



Inomhusenhet A
 Inomhusenhet B
 Inomhusenhet C
 Inomhusenhet D
 Inomhusenhet E
 Ej tilldelad

omkopplare	OFF	ON
SW1-1	Nej	Ja
SW1-2	Nej	Ja
SW1-3	Nej	Ja
SW1-4	Nej	Ja
SW1-5	Nej	Ja
SW1-6		

Adressomkopplare (effektiv bara innan du slår på strömmen)

Faktisk adressinställning för inomhusenheten varierar i olika system. Se installationshandboken för utomhusenheten för information om hur man gör adressinställningar. Varje adress ställs in med en kombination av inställningarna för den 10:e siffran och 1:a siffran.

(Exempel)

- När du ställer in adressen till "3", ställ in 1:a siffran till 3, och 10:e siffran till 0.
- När du ställer in adressen till "25", ställ in 1:a siffran till 5, och 10:e siffran till 2.

(Exempel)

- Vid inställning av förgreningsdosans adress till "3", tilldelas en adress till varje inomhusenhet som börjar med enhet A enligt nedan, oavsett om varje inomhusenhet är ansluten. (SW1-1 ~ 5 ON)
 - Inomhusenhet A adress 3
 - Inomhusenhet B adress 4
 - Inomhusenhet C adress 5
 - Inomhusenhet D adress 6
 - Inomhusenhet E adress 7
- När adressen är satt till "25" och även 3 inomhusenheter (Enhet A, enhet C, och enhet E) är anslutna. (SW1-1, 1-3, 1-5 ON)
 - Inomhusenhet A adress 25
 - Inomhusenhet C adress 26
 - Inomhusenhet E adress 27

9. Testkörning

- Se "Testkörning" i installationshandboken för inomhusenheterna och utomhusenheten.
- När förgreningsdosan och kraftförsörjningen utomhus är separata, ska strömmen slås på till förgreningsdosan först, och sedan till utomhusenheten.

• När strömmen slås på eller efter en stunds driftstopp, kan ett litet klickande ljud höras från insidan av förgreningsdosan. Den elektroniska expansionsventilen öppnas och stängs. Enheten fungerar inte felaktigt.

- Se till att utföra testkörning i kylningsläget för varje inomhusenhet. Se till att varje inomhusenhet fungerar korrekt enligt installationsanvisningen som medföljer enheten.
- Om du utför testkörningen för alla inomhusenheter på en gång, kan du inte upptäcka någon felaktig anslutning, om sådana finns, hos kylningsrören och inomhus/utomhusenhetens anslutningsledningar.
- För att kontrollera eventuell felaktig kabeldragning, utför testkörningen för varje inomhusenhet var för sig.

⚠ Varning:

- Använd fjärrkontrollen för att styra inomhusenheten.
- Följande symptom är inte felaktiga funktioner.

Symptom	Orsak	Inomhusenhetens LED-display *
Inomhusenheten fungerar inte även om den är inställd till kylning (uppvärmning)	Kylning (uppvärmning) kan inte användas när uppvärmning (kylning) utförs av en annan inomhusenhet som är i drift.	Standby (för multisystem)
Inomhusenhets fläkt stannar vid uppvärmning	Inomhusenhets fläkt stannar vid uppvärmning	-
	Fläkten stannar när kylutsugningsläget ** aktiveras.	Standby (för multisystem)

* Se bruksanvisningen för inomhusenheterna för mer information.

** Detta läge aktiveras efter ca 1 minut för att undvika en otillräcklig tillgång på kylmedium under värmedrift när kylmediet lagras i en inomhusenhet som har stängts av eller när termostaten är av.

İçindekiler

1. Güvenlik Önlemleri	122	6. Şube Kutusunun Monte Edilmesi	127
2. Montaj için yer seçimi	122	7. Soğutucu borularının monte edilmesi	127
3. Cihazla Birlikte Verilmiş Olan Aksesuarları Doğruların	123	8. Elektrik işleri	129
4. Şube Kutusu için boyutlar ve gerekli servis alanı	123	9. Test işletmesi	133
5. Soğutucu boru tesisatı	126		

Bu montaj kılavuzu sadece şube kutusunun monte edilmesi içindir. İç üniteleri ve dış üniteyi monte ederken her bir üniteyle birlikte gelen montaj kılavuzuna başvurun.

1. Güvenlik Önlemleri

- ▶ Üniteyi monte etmeden önce "Güvenlik Önlemleri"nin hepsini okumalısınız.
- ▶ Bu cihazı güç sistemine bağlamadan önce, güç sağlayıcı kurum ile görüşün ya da onayını alın.
- ▶ PAC-MK-BC serisi, profesyonel bir cihaz olarak tasarlanmıştır.
- ▶ Dış üniteden elektrik çekilirken, kullanılan iç üniteye bağlı olarak dış ünite için ilgili standartlar karşılanmayabilir.

⚠ Uyarı:

Kullanıcı açısından yaralanma veya ölüm tehlikesinin önüne geçmek için alınması gereken önlemleri açıkla.

⚠ Dikkat:

Cihazın hasar görmesini önlemek için alınması gereken önlemleri açıkla.

⚠ Uyarı:

- Ünite kesinlikle kullanıcı tarafından monte edilmemelidir.
- Satıcıdan veya yetkili servisten cihazı monte etmelerini isteyin.
- Montaj çalışması için Montaj Kılavuzu'nda verilen talimatları izleyin ve dış ünite montaj kılavuzunda belirtilen, soğutucu ile kullanılmak üzere tasarlanmış araçları ve boru elemanlarını kullanın.
- Deprem, fırtına veya şiddetli rüzgardan zarar görme riskini en aza indirmek için, cihaz talimatlara uygun olarak monte edilmelidir. Yanlış monte edilmiş bir cihaz düşebilir ve hasara veya yaralanmalara yol açabilir.
- Cihaz, ağırlığını taşıyabilecek bir yapı üzerine emniyetli şekilde monte edilmelidir.
- Klima cihazı küçük bir odaya kurulacaksa, soğutucu kaçağı olması durumunda oda içindeki soğutucu konsantrasyonunun güvenlik sınırını aşmasını önleyecek tedbirler alınmalıdır. Soğutucu kaçağı olması ve konsantrasyon sınırının aşılması durumunda, oda içinde oluşacak oksijen azlığı nedeniyle tehlikeli durumlara yol açılabilir.
- Kullanım sırasında soğutucu kaçağı meydana gelirse, odayı havalandırın. Soğutucunun alevle temas etmesi durumunda zehirli gazlar oluşabilir.
- Bütün elektrik işleri ruhsatlı teknisyenler tarafından, yerel yönetmeliklere ve bu kılavuzda verilen talimatlara uygun şekilde yapılmalıdır.
- Tesisatta yalnızca belirtilmiş olan kabloları kullanın.
- Cihazın terminal blok kapağı sağlam şekilde takılmalıdır.
- Bunların monte edilmesi sırasında yalnızca Mitsubishi Electric tarafından izin verilen aksesuarları kullanın veya satıcı veya yetkili teknisyene danışın.
- Kullanıcı asla cihazı tamir etmeye veya başka bir yere taşımaya kalkışmamalıdır.
- Montaj tamamlandıktan sonra, soğutucu kaçağı olup olmadığını kontrol edin. Soğutucunun odaya sızması ve herhangi bir ısıtıcının alevi veya portatif bir yemek pişirme aracının etki alanıyla temas etmesi halinde zehirli gazlar oluşabilir.
- İç üniteler, dış üniteler ve şube kutularının güç kaynağı kabloları ve bağlantı tellerinin (ara bağlantılara değil) doğrudan ünitelere bağlandığından emin olun. Ara bağlantılar, kablolar veya tellere su girmesi halinde haberleşme hatalarına neden olabilir ve topraklama yalıtımının yetersiz olmasına veya ara bağlantı noktasında elektrik temassızlığına yol açabilir. (Bir ara bağlantı gerekli ise, kablo ve tellere su girmesini önleyecek tedbirler aldığınızdan emin olun.)

2. Montaj için yer seçimi

* Şube kutusu yalnızca kapalı mekanda kullanım içindir.

- Şube kutusunun servis ve bakım işlemlerini kolaylaştıran bir yere monte edildiğinden emin olun. (gerekli bakım deliği ve servis boşluğunun bırakıldığından emin olun).

- Yatak odalarının yakınına monte etmeyin. Bazen, borulardan akan soğutucunun sesi duyulabilir.
- Çalışma sırasında gürültünün sorun olmayacağı bir yere monte edildiğinden emin olun.

Güç verildikten veya belirli bir süre için çalışma durdurulduktan sonra, şube kutusunun içinden küçük bir tıklama sesi duyulabilir. Elektronik genişleme vanası açılmakta ve kapanmaktadır. Üniteye bir arıza söz konusu değildir.

- Soğutucu borusu, drenaj borusu ve elektrik kablolarının nereden döşeneceğini önceden belirleyin.

Montaj tamamlandıktan sonra, Kullanma Kılavuzunda yer alan bilgilere uygun şekilde müşteriye cihazın "Güvenlik Önlemleri" ni, kullanımını ve bakımını açıklayın ve cihazın normal şekilde çalıştığından emin olmak için bir çalışma testi yapın. Hem Montaj Kılavuzu hem de Kullanım Kılavuzu, kullanıcıda kalmak üzere kendisine verilmelidir. Bu kılavuzlar sonraki kullanıcılara da devredilmelidir.

⚠ Uyarı: Topraklanması gereken parçaları gösterir.

⚠ Uyarı:

Ana üniteye yapıştırılmış olan etiketleri dikkatle okuyunuz.

⚠ Dikkat:

- Yoğuşmayı önlemek için soğutucu borularının iyi bir şekilde yalıtıldığından emin olun. Yetersiz yalıtım, boruların yüzeylerinde yoğuşmaya, tavan, zemin ve diğer önemli yerlerde ıslaklığa neden olabilir.
- Üniteyi uygun olmayan bir ortamda kullanmayın. Klima buhara, uçucu yağlara (makine yağı dahil) veya sülfür içeren gazlara veya deniz kıyısı gibi yüksek tuz içeriğine maruz kalacağı bir alana monte edilirse, performansı ciddi şekilde azalabilir ve dahili parçaları hasar görebilir.
- Yoğuşmanın önlenmesi için soğutucu akışkan borusunun, akışının veya toplanmasının söz konusu olduğu yerlere monte etmeyin. Ünite çevresinde tutuşabilir gazlar birikirse, yangın veya patlama meydana gelebilir.
- Ünite bir hastane veya iletişim ofisine monte ediliyorsa, parazit ve elektronik karışmalara hazırlıklı olun. İnverterler, ev cihazları, yüksek frekanslı tıbbi cihazlar ve radyo iletişim cihazları klimanın arızalanmasına veya bozulmasına neden olabilir. Klima aynı zamanda tıbbi cihazları, tıbbi tedaviyi, iletişim cihazlarını ve ekran kalitesini etkileyebilir.
- Yoğuşmanın önlenmesi için soğutucu akışkan borusunun termal olarak yalıtılması gerekir. Soğutucu akışkan borusu doğru şekilde yalıtılmazsa, yoğuşma meydana gelecektir.
- Yoğuşmayı önlemek için borulara termal yalıtım uygulayın. Drenaj borusu yanlış monte edilirse, su kaçaqları ve tavanda, zeminde, mobilyalarda hasarlar veya benzeri maddi hasarlar meydana gelebilir.
- Klimayı suyla temizlemeyin. Elektrik çarpması meydana gelebilir.
- Tüm konik vidaları bir tork anahtarı yardımıyla belirtilen değere kadar sıkın. Çok fazla sıkılırsa, konik somun belirli bir süre sonra kırılabilir.
- Devre kesicileri monte ettiğinizden emin olun. Monte edilmezse, elektrik çarpması meydana gelebilir.
- Güç hatları için, yeterli kapasiteye sahip standart kablolar kullanın. Aksi takdirde, kısa devre, aşırı ısınma veya yangın meydana gelebilir.
- Güç hatlarını monte ederken, kablolar gerilim uygulamayın. Bağlantılar gevşerse, kablolar kopabilir veya kırılabilir ve neticesinde aşırı ısınmaya veya yangına neden olabilir.
- Topraklama kablolarını gaz veya su borularına, paratoner çubuklarına veya telefon topraklama hatlarına bağlamayın. Ünite doğru şekilde topraklanmazsa, elektrik çarpması meydana gelebilir.

- Montaj yerinin, soğutucu borularının belirlenen sınırlar dahilinde kalmasını sağladığından emin olun.

• Uzun sürelerle sıcak veya rutubetli olan yerlerde monte etmeyin.

- Şube kutusunun, bakım gereklilikleri doğrultusunda insanların yoğun olarak bulunmadığı koridor, banyo vb. tavanına monte edilmesini sağlayın (Odanın ortasına monte etmekten kaçının).

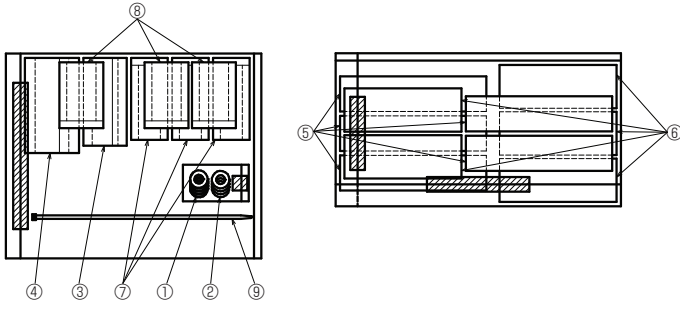
* Ünitelerin, ağırlığını tartabilecek bir yere monte edildiğinden emin olun.

⚠ Uyarı:

Ünitelerin, ağırlığını tartabilecek bir yere sağlam bir şekilde monte edildiğinden emin olun.

Montaj yeterince güçlü değilse ünite düşerek yaralanmaya neden olabilir.

3. Cihazla Birlikte Verilmiş Olan Aksesuarları Doğrularayn



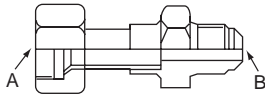
Şekil 3-1

3.1. Şube Kutusu aksesuarlarını ve parçalarını kontrol edin

	Aksesuar adı	Miktar		
		PAC-MK30BC	PAC-MK50BC	
①	Rondela (yalıtlımlı)	4	4	
②	Rondela	4	4	
③	Boru kapağı (Sıvı)	1	1	Dış ünite
④	Boru kapağı (Gaz)	1	1	Dış ünite
⑤	Boru kapağı (Sıvı)	3	5	İç üniteye
⑥	Boru kapağı (Gaz)	3	5	İç üniteye
⑦	Mafsals kapağı (Sıvı)	1	3	
⑧	Mafsals kapağı (Gaz)	1	3	
⑨	Bant	16	24	

4. Şube Kutusu için boyutlar ve gerekli servis alanı

İsteğe bağlı farklı (deforme) mafsallar



Şekil 4-1

Model adı	Bağlı boruların çapı	A Çapı	Çapı B
	mm	mm	mm
MAC-A454JP	ø9,52 → ø12,7	ø9,52	ø12,7
MAC-A455JP	ø12,7 → ø9,52	ø12,7	ø9,52
MAC-A456JP	ø12,7 → ø15,88	ø12,7	ø15,88
PAC-493PI	ø6,35 → ø9,52	ø6,35	ø9,52
PAC-SG76RJ-E	ø9,52 → ø15,88	ø9,52	ø15,88

* Bir sisteme 2 veya daha fazla iç ünite bağlanabilir.

* Bir dış üniteye 1-2 şube kutusu bağlanabilir.

* Askı civatası : W3/8 (M10)

* Soğutucu borusu geçme bağlantısı

* Boru bağlantı boyutu iç ünitenin tipi ve kapasitesine göre değişmektedir. İç ünite ve şube kutusunun boru bağlantı boyutunu eşleştirin. Şube kutusunun boru bağlantı boyutu iç ünitenin boru bağlantı boyutuyla eşleşmezse şube kutusu tarafında isteğe bağlı farklı çapta (deforme) mafsallar kullanın. (Deforme mafsalı doğrudan şube kutusu tarafına bağlayın.)

Ⓐ Askı civatası adımı

Ⓑ İç üniteye

Ⓒ Dış üniteye

Ⓓ Servis paneli (LEV, TERMİSTÖR için)

Ⓔ Elektrik kapağı

Ⓕ Kauçuk burç

Ⓖ Terminal bloğu (iç ünite kontrol kartına)

Ⓗ Terminal bloğu (dış üniteye)

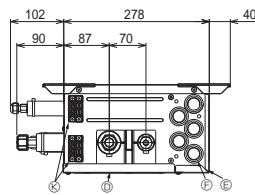
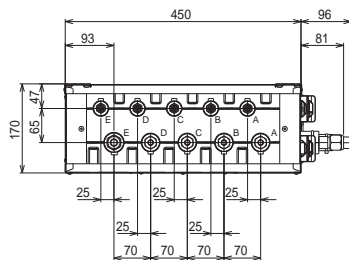
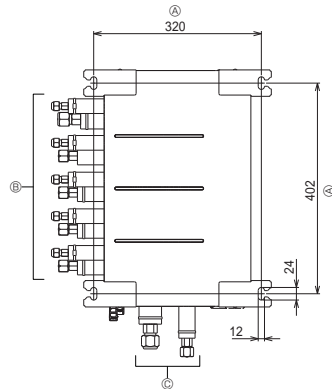
Ⓙ Terminal bloğu (iletileşim kablosu için)

Ⓚ Kablo kelepçesi

* Şube kutusunun aşağıdaki çizimde gösterildiği gibi monte edildiğinden emin olun. Bacak üste gelmelidir. Aksi takdirde drenaj işlemi doğru şekilde gerçekleştirilemeyecektir.

■ PAC-MK50BC (5 şubeli tip)

(mm)



Şekil 4-2

■ PAC-MK50BC (Şekil 4-2)

Askı civatası : W3/8 (M10)

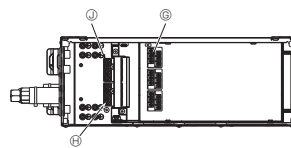
Soğutucu borusu geçme bağlantısı

mm

	A	B	C	D	E	Dış ünite
Sıvı borusu	ø6,35	ø6,35	ø6,35	ø6,35	ø6,35	ø9,52
Gaz borusu	ø9,52	ø9,52	ø9,52	ø9,52	ø12,7	ø15,88

Dönüştürme formülü

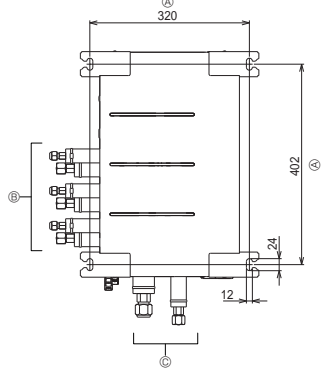
1/4 F	ø6,35
3/8 F	ø9,52
1/2 F	ø12,7
5/8 F	ø15,88
3/4 F	ø19,05



4. Şube Kutusu için boyutlar ve gerekli servis alanı

■ PAC-MK30BC 3'lü bransman tipi

(mm)



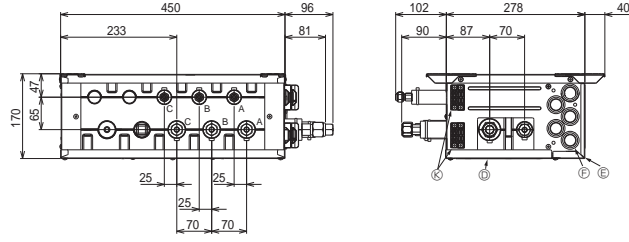
■ PAC-MK30BC (Şekil 4-3)

Askı civatası: W3/8 (M10)

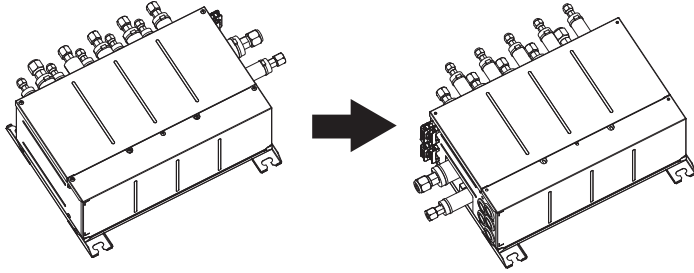
Soğutucu akışkan borusu konik bağlantısı

mm

	A	B	C	Dış üniteye
Sıvı borusu	ø6,35	ø6,35	ø6,35	ø9,52
Gaz borusu	ø9,52	ø9,52	ø9,52	ø15,88



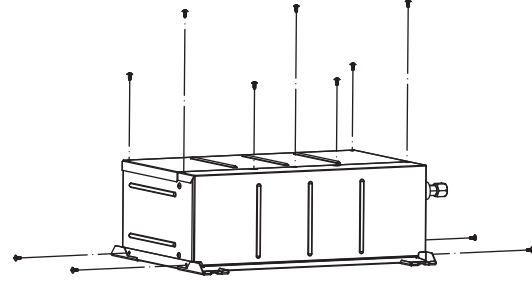
Şekil 4-3



Şekil 4-4

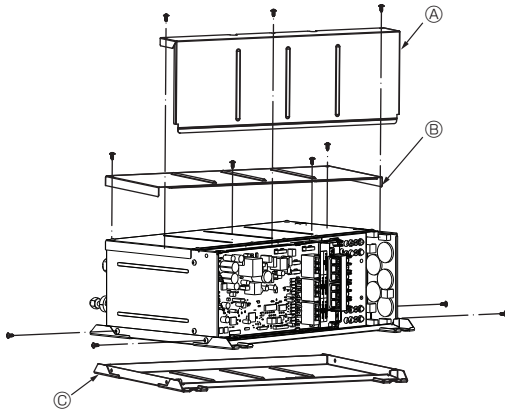
4.1. Boru yönü değiştirilebilir. (Şekil 4-4). [Çalışma Prosedürleri] (Şekil 4-5)

① Her bölümde vidalarını sökün.



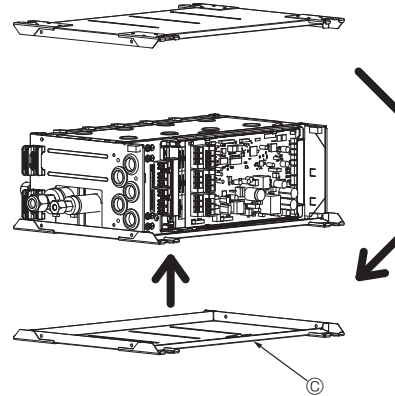
② Elektrik kapağını, servis panelini ve üst paneli çıkartın.

- Ⓐ Elektrik kapağı
- Ⓑ Servis paneli
- Ⓒ Üst panel



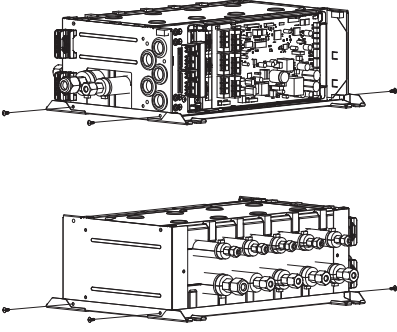
③ Üst paneli karşı yüzeye monte edin.

- Ⓒ Üst panel

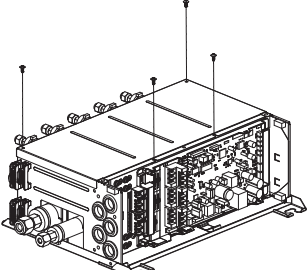


4. Şube Kutusu için boyutlar ve gerekli servis alanı

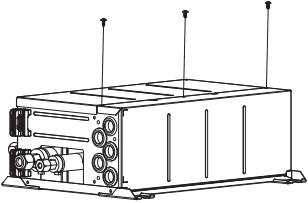
④ Her bir parçadaki vidaları sıkın.



⑥ Vidaları sıkın.

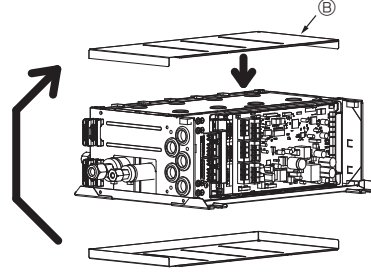


⑧ Vidaları sıkın.



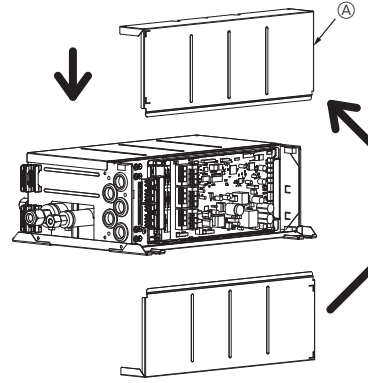
⑤ Servis panelini karşı yüzeye monte edin.

Ⓑ Servis paneli



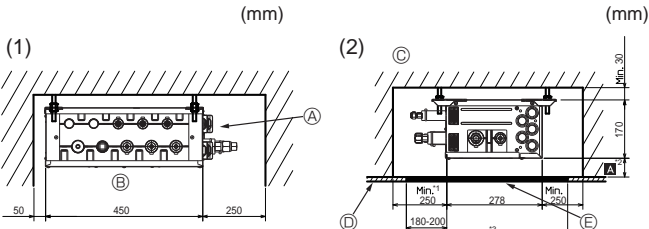
⑦ Elektrik kapağını karşı yüzeye monte edin.

Ⓐ Elektrik kapağı



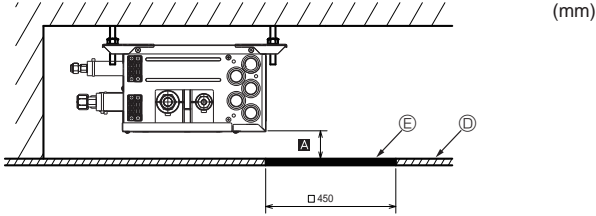
Şekil 4-5

4. Şube Kutusu için boyutlar ve gerekli servis alanı

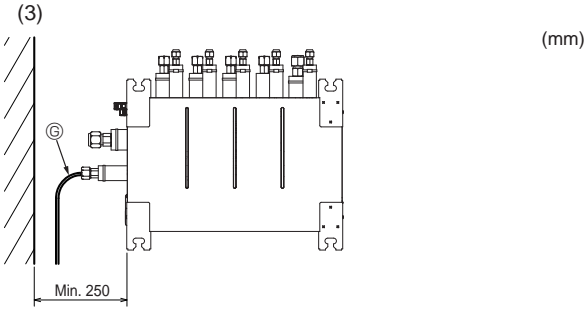


Şekil 4-6

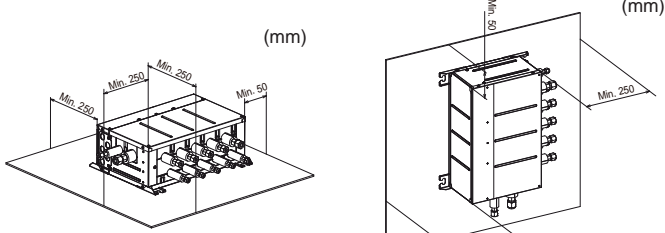
Şekil 4-7



Şekil 4-8

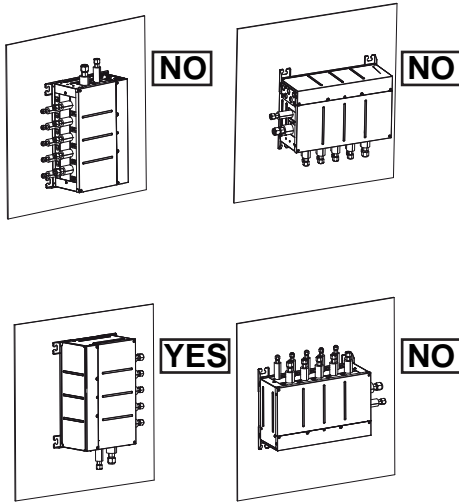


Şekil 4-9



Şekil 4-10

Şekil 4-11



Şekil 4-12

4.2. Montajı ve servis için gerekli alan

1. Askı civatalarıyla monte edildiğinde gerekli boşluk.

- (1) Önden Görünüm (Şekil 4-6)
 - Ⓐ Şube kutusu
 - Ⓑ Boru tesisatı tarafında
- (2) Yandan Görünüm (Şekil 4-7, Şekil 4-8)
 - Ⓒ Kapalı mekan montajları için
 - Ⓓ Tavan panosu
 - Ⓔ Bakım deliği

*1: Soğutucu borularında 90°'lik bükümler için minimum 350 mm'lik bir yarıçap gereklidir.

*2: Ⓐ "Minimum 200 mm" dir <tavsiye edilen>.

200 mm'nin altında olması halinde (örneğin Ⓐ 100 mm ise) Şube kutusunun bakım deliğinden değiştirilmesi zorlaşır (Sadece PCB, doğrusal genişleme vanası bobinleri, sensörler ve drenaj gözünün değiştirilmesi mümkündür).

*3: Ⓑ "□ 600 mm" dür <tavsiye edilen>

"□ 450" olması halinde, PCB tarafında bir bakım deliği hazırlayın (Şekil 4-7'da gösterildiği gibi) ve Ⓐ mesafesi olarak "Min. 300 mm" bırakın. 300 mm'nin altında olması halinde (örneğin Ⓐ 100 mm ise) Şube kutusunun, doğrusal genişleme vanası bobinlerinin, sensörlerin ve drenaj gözünün bakım deliğinden değiştirilmesi zorlaşır (Sadece PCB'nin değiştirilmesi mümkündür).

- (3) Üstten Görünüm (Şekil 4-9)
 - Ⓒ Soğutucu boru tesisatı

II. Zemine monte edildiğinde gerekli boşluk. (Şekil 4-10)

III. Duvara monte edildiğinde gerekli boşluk. (Şekil 4-11)

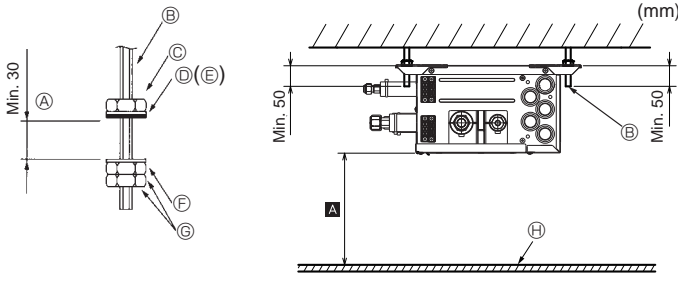
Duvara monte edilirken, montaj yönü sınırlıdır. (Şekil 4-12)

Ünite duvara monte edilirken, dış üniteye bağlı boruları aşağı bakacak şekilde yerleştirin. Diğer yönler kabul edilemez.

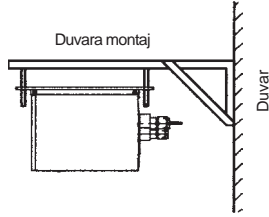
5. Soğutucu boru tesisatı

* Daima dış ünitenin montaj kılavuzunda yer alan teknik özellikleri izleyin. Bu gerekliliklerin aşılması donanımın performansının düşmesine ve arızalara yol açabilir.

6. Şube Kutusunun Monte Edilmesi



Şekil 6-1

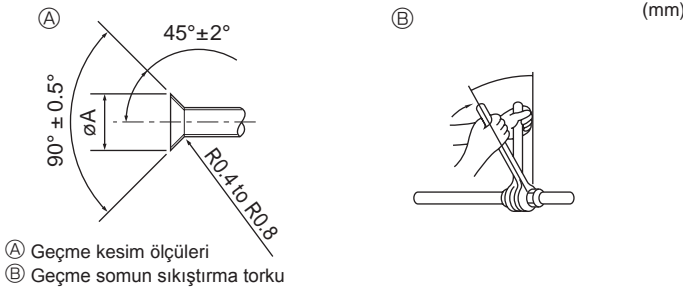


Şekil 6-2

*Ünite duvara monte edilecekse, piyasadan uygun bir mesnet satın alın.

- (1) Askı civatalarını (bulduğunuz yerden temin edin) belirtilen mesafede (Şekil 4-2, 4-3) takın.
- (2) Rondelaları ve somunları (①, ②, bulunduğunuz yerden temin edin) askı civatalarına takın. (Şekil 6-1)
- (3) Üniteyi, askı civatalarına asın.
- (4) Somunları sonuna kadar sıkın (tavan yüksekliğini kontrol edin).
- (5) Şube kutusunu yatay olarak hizalamak için bir su terazisi kullanın.
 - Ⓐ Ünite asılırken ve somunlar sıkılırken
 - Ⓑ Askı civatası
 - Ⓒ Somunlar
 - Ⓓ Rondela (yastıklı) ①
 - Ⓔ Yastık yüzeylerinin aşağı baktığından emin olun
 - Ⓕ Rondela (yastıksız) ②
 - Ⓖ Somun (bulduğunuz yerden temin edin)
 - Ⓗ Tavan panosu.

7. Soğutucu borularının monte edilmesi



Şekil 7-1

Ⓐ Geçme kesim ölçüleri

Tablo 1

Bakır boru O.D. (mm)	Geçme boyutları ØA boyutları (mm)
ø6,35	8,7-9,1
ø9,52	12,8-13,2
ø12,7	16,2-16,6
ø15,88	19,3-19,7

Ⓑ Geçme somun sıkıştırma torku

Tablo 2

Bakır boru O.D. (mm)	Geçme somun O.D. (mm)	Sıkıştırma torku (N.m)*
ø6,35	17	14-18
ø6,35	22	34-42
ø9,52	22	34-42
ø12,7	26	49-61
ø12,7	29	68-82
ø15,88	29	68-82
ø15,88	36	100-120

► Her bir iç ünitenin sıvı ve gaz borularını, her bir Şube Kutusunun iç ünite geçme bağlantı bölümünde belirtildiği gibi aynı numaralı uç bağlantılarına bağlayın. Yanlış numaralı uç bağlantısına bağlanması halinde normal çalışmaz. (Şekil 7-1)

► İç üniteleri bağlarken, soğutucu borularını ve bağlantı tellerini uygun harflerle işaretli bağlantı portlarına bağladığınızdan emin olun. (Örnek: A, B, C, D, E)

Not:

Hangisinin hangi odaya ait olduğunu açıkça belirlemek suretiyle her bir iç ünite için tüm tali soğutucu boru tesisatını (sıvı boruları, gaz boruları, vs.) işaretleyin. (Örnek: A, B, C, D, E)

► İç ünite model adlarını, (tanımlama amacıyla) Şube Kutusunun kumanda kutusundaki isim etiketine kaydedin.

- Soğutucu akışkan borularından su damlamasını önlemek için gerekli yoğuşma önleyici ve yalıtım çalışmalarını gerçekleştirin. (sıvı borusu/gaz borusu)
- Soğutucu akışkan borularının takıldığı veya yalıtım malzemesi yüzeyinde yoğuşmaların meydana geldiği ortamlarda koşullara bağlı olarak yalıtımı artırın. (Yalıtım malzemesi ısıya dayanım sıcaklığı: 120 °C, Kalınlık: 15 mm ve üzeri)

* Soğutucu akışkan boruları tavan arası vb. gibi yüksek sıcaklık ve neme maruz kalacağı ortamlardan geçiyorsa, ilave yalıtım önlemleri gerekli olabilir.

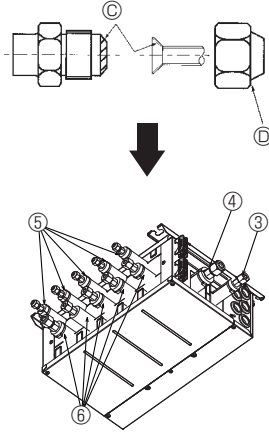
- Soğutucu akışkan borularını yalıtım için, iç ünite ile yalıtım malzemesi arasında ve tüm boşlukları dolduran yalıtım malzemeleri arasındaki ağa ısıya dayanıklı polietilen köpük uygulayın. (Borularda oluşan yoğuşmalar, odada yoğuşmaya veya borulara temas edilmesi halinde yanıklara neden olabilir.)

► Piyasadan edinilen soğutucu borularını kullanırken hem sıvı hem de gaz borularını piyasadan edinilen ısı yalıtım maddeleri (en az 12 mm kalınlığında ve 100 °C'nin üzerindeki sıcaklıklara dayanma kapasitesine sahip yalıtım maddeleri) ile sarın.

► Bir vakum oluştururken ve vanaları açıp kapatırken dış ünitenin montaj kılavuzuna başvurun.

- (1) Geçme somunları ve kapakları şube kutusundan çıkartın.
- (2) Sıvı ve gaz borularının uçlarını genişletin ve geçme yuvasına soğutucu yağı (bulduğunuz yerden temin edin) sürün.
- (3) Soğutucu borusunu hemen bağlayın. Bir tork anahtarı ve çift İngiliz anahtarı kullanarak geçme somunlarını daima aşağıdaki tabloda belirtilen torka sıkın.
- (4) ③ ve ⑤ numaralı boru kapaklarını sıvı borusunun üzerine, üniteye doğru bastırın ve yerinde tutmak için sarın.
- (5) ④ ve ⑥ numaralı boru kapaklarını gaz borusunun üzerine, üniteye doğru bastırın ve yerinde tutmak için sarın.
- (6) Boru kapaklarının (③ ④ ⑤ ⑥) her bir ucundan 10 - 20 cm'lik bir konumda verilmiş olan bantları ⑦ sarın.
- (7) İç ünite bağlı değilse borulardan yoğuşma damlamasını önlemek için şube kutusu soğutucu borusu bağlantılarına verilmiş olan boru kapaklarını takın (⑦ ve ⑧ numaralı kapaklar).
- (8) Boru kapaklarını (⑦ ⑧), verilmiş olan bantla ⑨ yerine sabitleyin.

7. Soğutucu borularının monte edilmesi

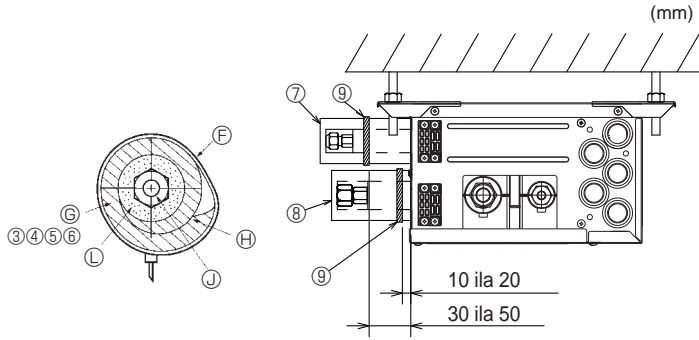


Şekil 7-2

⚠ Dikkat:

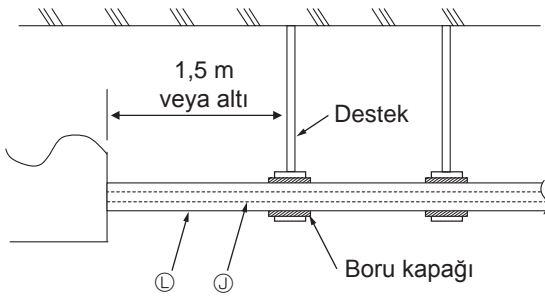
Geçme somunları örneğin bir tork anahtarı ile belirtilen torka sıkın. Aşırı sıkılması, geçme somunun çatlamasına ve belirli bir süre sonra soğutucu kaçağı meydana gelmesine yol açacaktır.

- © Geçme yuvasının tüm yüzeyine soğutucu yağı (Şekil 7-3) sürün.
- Ⓣ Temel olarak, gövdeye takılan geçme somunları kullanın (piyasadan edineceğiniz geçme somunlar çatlayabilir).



Şekil 7-3

Şekil 7-4



Şekil 7-5

Not:

Bazı iç üniteler için özel bir geçme somun (isteğe bağlı veya iç üniteye takılı) satın almak gereklidir. Ayrıntılı bilgi için lütfen dış ve iç ünitenin montaj kılavuzuna başvurun.

- Ⓣ Bant 9
- Ⓣ Boru kapakları 3 4 5 6
- Ⓣ Sıkın
- Ⓣ Soğutucu boru tesisatı
- Ⓣ Soğutucu boruları için ısı yalıtımı

► Şube kutusunun bir iç üniteye bağlanmayan kısımları için aşağıdaki prosedürü izleyin. (Fig. 7-5)

- (1) Soğutucu kaçaıklarını önlemek için geçme somunlarının Tablo 3'te belirtilen tork değerlerine* göre sıkıldığından emin olun.
* Geçme somunlarının belirtilen değerlerden daha fazla sıkılması durumunda da soğutucu sızıntı yapabilir.
- (2) Yoğuşmayı önlemek için boru kapaklarını 7 8 takın ve verilen bantlarla 9 sabitleyin.

Tablo 3

İç ünitelerin bağlanması için şube kutusu açıklıklarının çapları (mm)	Sıkma torku (N-m)
ø6,35	13 ± 2
ø9,52	30 ± 2
ø12,7	50 ± 2

► Soğutucu dolumu:

Dış ünitenin montaj kılavuzuna başvurun.

Sadece R410A soğutucu kullanım (diğer soğutucuların kullanılması sorunlara yol açabilir).

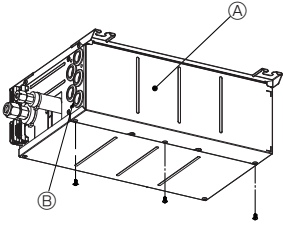
⚠ Dikkat:

Branşman kutusunda aşırı gerilim oluşmasını önlemek için, boruları branşman kutusuna en fazla 1,5 m mesafede olacak şekilde bir veya birkaç noktadan destekleyin.

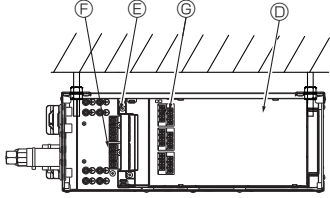
Örnek için Şekil 7-5'e bakın.

- Ⓣ Soğutucu akışkan borusu
- Ⓣ Soğutucu akışkan borusu termal yalıtımı

8. Elektrik işleri

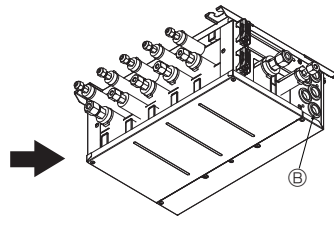


Şekil 8-1

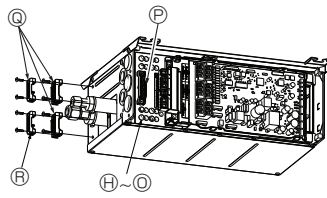


Şekil 8-3

- A Elektrik kapağı
- B Kauçuk burç
- C Kablo
- D Kumanda kartı
- E Terminal bloğu: TB5
- F Terminal bloğu: TB2B <Dış üniteye>
- G Terminal bloğu: TB3A-TB3E <İç üniteye>
- H Topraklama Terminali <Dış üniteye>



Şekil 8-2



Şekil 8-4

- Q Topraklama Terminali <TB3A için>
- K Topraklama Terminali <TB3B için>
- L Topraklama Terminali <TB3D için>
- M Topraklama Terminali <TB3C için>
- N Topraklama Terminali <TB3E için>
- O Topraklama Terminali <Diğer bransman kutusuna>
- P Kablo kelepçesi <TB2B için>
- Q Kablo kelepçesi <TB3A-TB3E için>
- B Kablo kelepçesi <TB5 için>

► Elektrik işlerinde dikkat edilmesi gereken hususlar.

⚠ Uyarı:

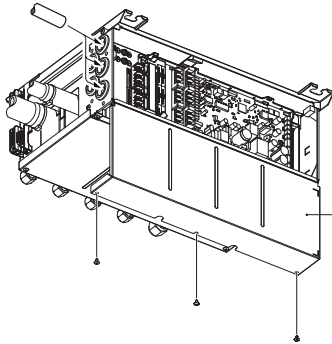
- Daima, nominal voltajda devre kesicilere sahip özel devreler kullanın. Yetersiz kapasitedeki güç kaynağı devreleri ve montaj sırasındaki kötü işçilik elektrik çarpmasına veya yangına neden olabilir.

⚠ Dikkat:

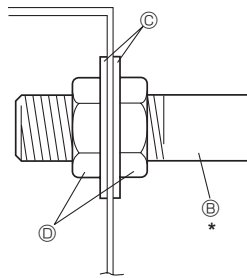
- Kesinlikle bir toprak bağlantısı kurun. Üniteyi kesinlikle bir kanalizasyon borusu, paratoner, veya telefon toprak kablosuna topraklamayın. Eksik topraklama elektrik çarpmasına neden olabilir. Yıldırım veya diğer kaynaklardan aşırı yüksek akım klima cihazında hasara neden olabilir.
- Belirtilen tipte elektrik kabloları kullanın, doğru bağlandığından ve gergin olmadığından emin olun. Bu gerekliliklerin karşılanmaması kabloda kopukluğa, ısınmaya veya yangına neden olabilir.
- Bransman Kutusunu açık konuma getirmeden önce, anahtarları ayarladığınızdan emin olun.
- Gücü açık konuma getirmek için, Bransman Kutusunu ve ardından dış üniteyi sırayla açık konuma getirin. (Bransman Kutusu ve dış ünite güç beslemeleri ayrılmışsa)
- Şube kutusu ile dış üniteye ve şube kutusu ile iç üniteleri bağlayan kablo tesisatı hem güç kaynağı hem de sinyal kablosu olarak iş görür. Doğru polariteyi elde etmek için bu kablo tesisatını terminal bloğu numaralarına göre bağlayın.
- Her bir iç üniteye doğru soğutucu borusu ve elektrik kablolarının bağlandığından emin olun. Kablo bağlantılarının yanlış yapılması ünite nin doğru çalışmasını önleyecektir.

► Soğutucu boruları ve bağlantı kablolarını, bu ünite üzerindeki uygun harflerle işaretli portlara bağlayın (Örnek: A, B, C, D, E)

- Öncelikle, dış üniteden gelen güç beslemesi kablosunu bağlayın.
- Her bir zemin kablosunu bir zemin vidasıyla ayrı ayrı tespit edin.
- Tavana monte edilmiş olan kablo tesisatı, fareler, vb. tarafından ısırılmasını önlemek için kablo kanalına monte edilmelidir.
 1. Kapaktaki vidaları çıkarın. (Şekil 8-1)
 2. Her bir kablo bir kablo kelepçesiyle sabitlenecek şekilde bransman kutusuna getirin
 3. Her bir teli sıkı bir şekilde ilgili terminal bloğuna bağlayın. (Şekil 8-8)
 4. DIP anahtarını ayarlayın. (Bkz. 8,3)
 5. Elektrik kapağını geri takın.



Şekil 8-5



Şekil 8-6

8.1. Kablo kanalı kullanırken (Şekil 8-5,6,7)

Kablo kanalını yerine tespit ettikten sonra yatay kapağı yerine takın.

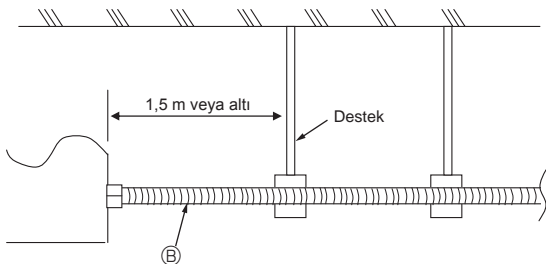
- A Kapak
- B Kablo kanalı
- C Rondela
- D Somun

1" dış çapa kadar bir kablo kanalı kullanılabilir.

- (1) 1" dış çapa sahip bir kablo kanalı kullanırken burcu çıkartıp şube kutusuna tespit edin. Şube kutusuna tespit ederken yatay kapağı çıkartın.
- (2) 3/4" veya daha küçük çapa sahip bir kablo kanalı kullanırken burca bir çentik atın ve kablo kanalını şube kutusunun içine yaklaşık 100 mm kadar sokun.
 - * Kablo kanalını yerine tespit ettikten sonra yatay kapağı yerine takın.

⚠ Dikkat:

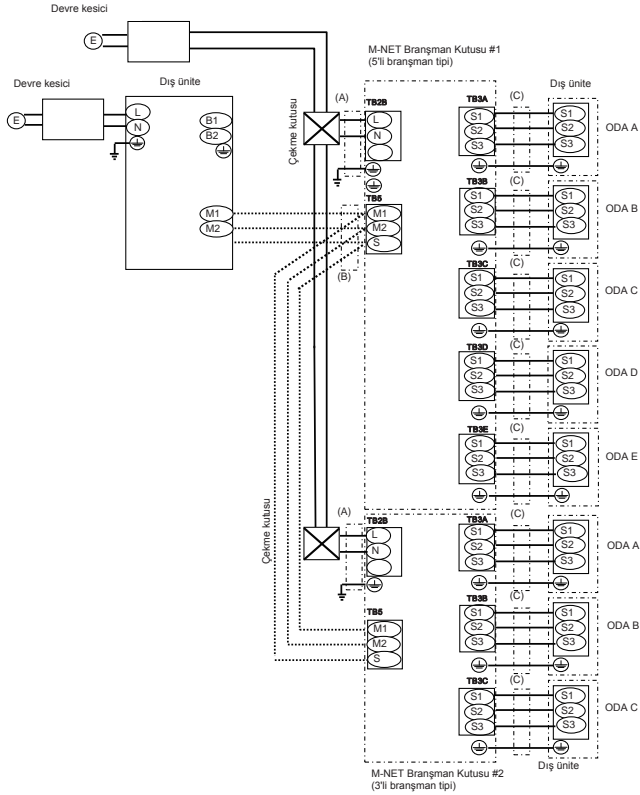
Bransman kutusunda aşırı gerilim oluşmasını önlemek için, "B" kablo kanallarını bransman kutusuna en fazla 1,5 m mesafede olacak şekilde bir veya birkaç noktadan destekleyin. Örnek için Şekil 8-7'e bakın.



Şekil 8-7

8. Elektrik işleri

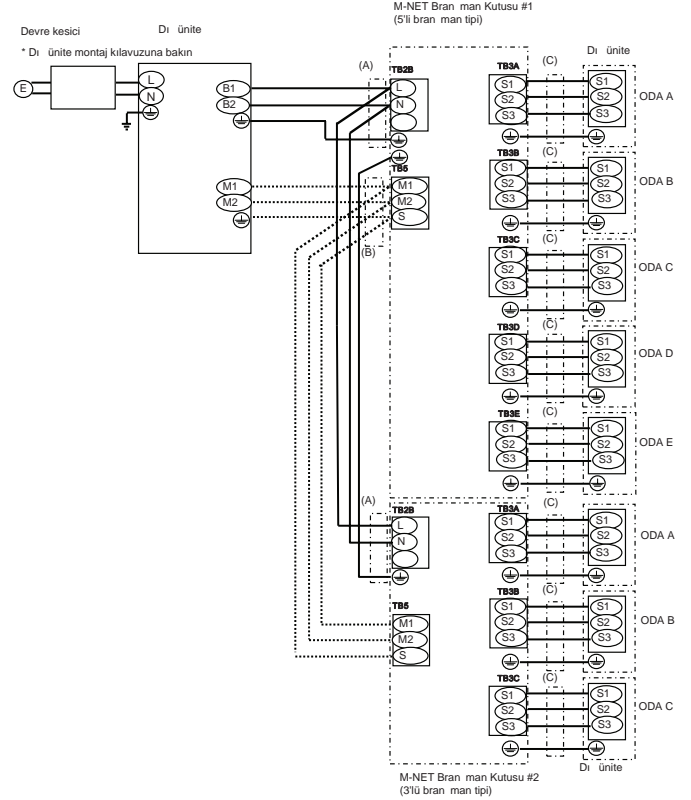
■ Branşman kutusuna ve dış üniteye ayrı ayrı güç besleyin



Şekil 8-8

8.2. Harici kablo bağlantı prosedürü (Şekil 8-8, Şekil 8-9)

■ Dış üniteden güç beslemesi



© Güç beslemesi: Monofaze 220/230/240 V 50 Hz, 220 V 60 Hz

Not:

- 1 Kutupların doğru yönle gelmesi için, hatları (B), (C) terminal bloğu adlarına göre bağlayın.
- 2 (C) hatlarıyla ilgili olarak, S1 ve S2 güç beslemesinin bağlanması içindir. S2 ve S3 sinyaller içindir. S2, güç kaynağı ve sinyal için ortak kablodur.

Kablo çapı		
(A) Ana güç hattı/ Topraklama hattı	(B) M-NET kablosu Blendajlı kablo CVVS veya CPEVS	(C) Sinyal hattı/ Topraklama hattı
3 çekirdekli 2,5 mm ²	2 çekirdekli 1,25 mm ² 200 m'nin altında	4 çekirdekli 1,5 mm ² 25 m'nin altında

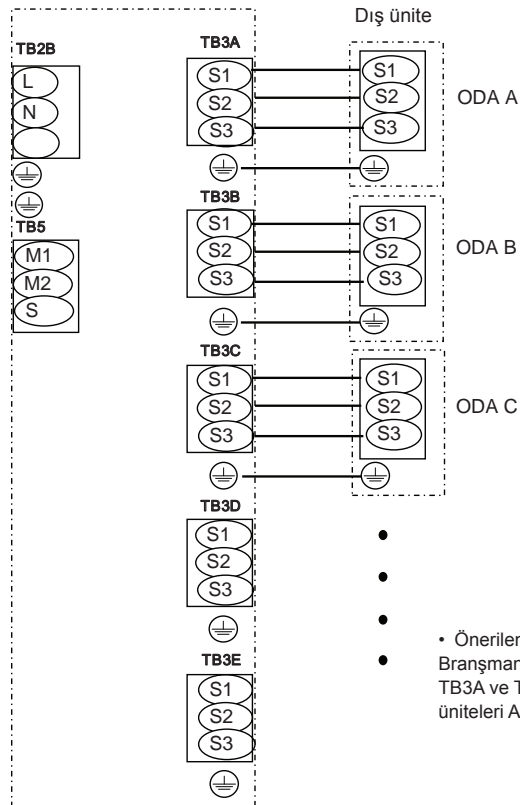
Kablo bağlantısı için bükülü tel kullanılıyorsa, yuvarlak terminal kullanılması gerekir.

- Notlar:**
1. Kablo bağlantısı boyutu geçerli yerel ve ulusal kanunlara uyumlu olmalıdır.
 2. Güç kaynağı kabloları ve İç Ünite/şube kutusu/dış ünite bağlantı kabloları polikloropiren kaplı esnek kablolardan daha hafif olmalıdır. (Tasarım 60245 IEC 57)
 3. Güç kablolarından uzun bir topraklama hattı takın.
 4. M-NET kablosunu bağlantı kablosu ve güç besleme kablosuyla birlikte demet yapmayın. Hatalı çalışmaya neden olabilir.

⚠ Uyarı:

Kesinlikle kabloları uç uca eklemeyin, aksi takdirde duman, yangın veya iletişim kesintisi meydana gelebilir.

M-NET Branşman Kutusu (5'li branşman tipi)

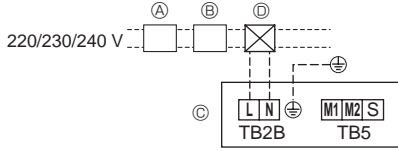


Şekil 8-9

• Önerilen Bağlantı Yöntemi

- Branşman kutusuna bir iç ünite bağlanacaksa, TB3A'ya bağlayın. 2 iç ünite bağlanacaksa, TB3A ve TB3B'ye bağlayın. 3 iç ünite bağlanacaksa, TB3A, TB3B ve TB3C'ye bağlayın. İç üniteleri A→B→C→D→E sırasıyla bağlayın.

8. Elektrik işleri



Şekil 8-10

■ Güç beslemesi kablosu (Branşman kutusuna ve dış üniteye ayrı güç besleyin)

- Diğer kablolardan uzun bir topraklama kablosu monte edin.
- Cihazın güç besleme kabloları 245IEC57, 227IEC57, 245 IEC 53 veya 227 IEC 53 tasarımından daha hafif olmamalıdır.
- Klimanın monte edilmesi sırasında, her bir kutupta en az 3 mm, 1/8 inç kontak ayırma mesafesi olan bir anahtar temin edilmelidir.

[Şekil 8-10]

- Ⓐ Topraklama arızası kesicisi
- Ⓑ Lokal anahtar/Kablo kesicisi
- Ⓒ Branşman Kutusu
- Ⓓ Çekme kutusu

İç ünitenin toplam çalışma akımı	Minimum kablo kalınlığı (mm ² /AWG)					Kablo kesicisi (NFB)	Topraklama arızası kesicisi
	Ana kablo	Branşman	Topraklama	Kapasite	Sigorta		
F0 = 15A ve altı *2	2.1/14	2.1/14	2.1/14	15	15	15	15A akım hassasiyeti *3
F0 = 20A ve altı *2	3.3/12	3.3/12	3.3/12	20	20	20	20A akım hassasiyeti *3
F0 = 30A ve altı *2	5.3/10	5.3/10	5.3/10	30	30	30	30A akım hassasiyeti *3

İzin verilen maksimum sistem empedansı için IEC61000-3-3 standardını dikkate alın.

*1 Topraklama arızası kesicisi inverter devresini desteklemelidir.

Topraklama arızası kesicisi, lokal anahtar veya kablo kesicisinin kullanımını birleştirmelidir.

*2 Lütfen, F1 ve F2 değerlerinden büyük olanını F0 olarak kabul edin.

F1 = İç ünitelerin maksimum toplam çalışma akımı × 1,2

F2 = (V1/C)

Branşman kutusuna bağlayın (PAC-MK*BC)

İç ünite	V1	V2
Tipi 1 SEZ-KD*VA, PCA-RP*KAQ, PLA-ZRP*BA(.UK)	19,8	2,4
Tipi 2 PEAD-RP*JAQ(L).UK	26,9	
Tipi 3 MLZ-KA*VA, SLZ-KA*VAQ(L)3	9,9	
Tipi 4 MSZ-FH*VE, MSZ-SF*VE, MSZ-EF*VE, MSZ-SF*VA	6,8	
Tipi 5 MFZ-KJ*VE	7,4	
Tipi 6 Branşman kutusu (PAC-MK*BC)	5,1	

Bağlantı kitine bağlayın (PAC-LV11M)

İç ünite	V1	V2
Tipi 1 MSY-EF*VE, MSY-GE*VA, MSY-GH, MSZ-GE*VA, MSZ-SF*VA, MSZ-SF*VE, MSZ-EF*VE, MSZ-FH*VE	6,8	2,4
Tipi 2 MFZ-KJ*VE	7,4	
Tipi 3 Bağlantı kitisi (PAC-LV11M)	3,5	

İç ünite	V1	V2
Tipi 1 PMFY-VBM, PLFY-VBM, PEFY-VMS1, PCFY-VKM, PKFY-VHM, PKFY-VKM, PFFY-VLRMM, PFFY-VKM	19,8	2,4
Tipi 2 PLFY-VCM	9,9	
Tipi 4 PKFY-VBM	3,5	
Tipi 5 PEFY-VMA	38,0	
Tipi 6 PLFY-VLMD, PEFY-VMH, PEFY-VMR, PDFY-VM, PFFY-VLEM, PFFY-VLRM	0	

C : 0,01sn devreye girme süresinde birden fazla devreye girme akımı

Lütfen, kesicinin devreye girme özelliklerinden "C" değerini alın.

*Koşul: Branşman Kutusu × 2 + SEZ-KD*VA × 5, C=8 (sağdaki örnek çizelgeye bakın)

F2 = 5,1 × 2/8 + 19,8 × 5/8

= 14,9

→ 16A kesici (Devreye girme akımı = 8 × 16A, 0,01sn'de)

*3 Akım hassasiyeti, aşağıdaki formül kullanılarak hesaplanır.

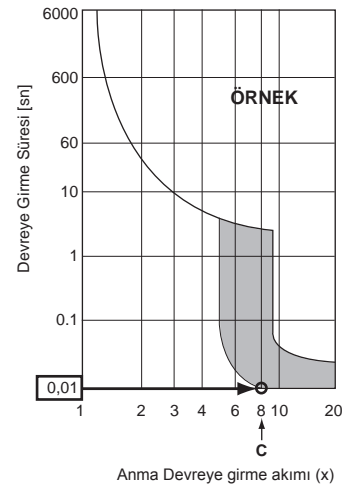
G1 = V2 + V3 × (Kablo uzunluğu [km])

G1	Akım hassasiyeti
30 veya altı	30 mA 0,1 san veya altı
100 veya altı	100 mA 0,1 san veya altı

Kablo kalınlığı (mm ² /AWG)	V3
2,1/14	48
3,3/12	56
5,3/10	66

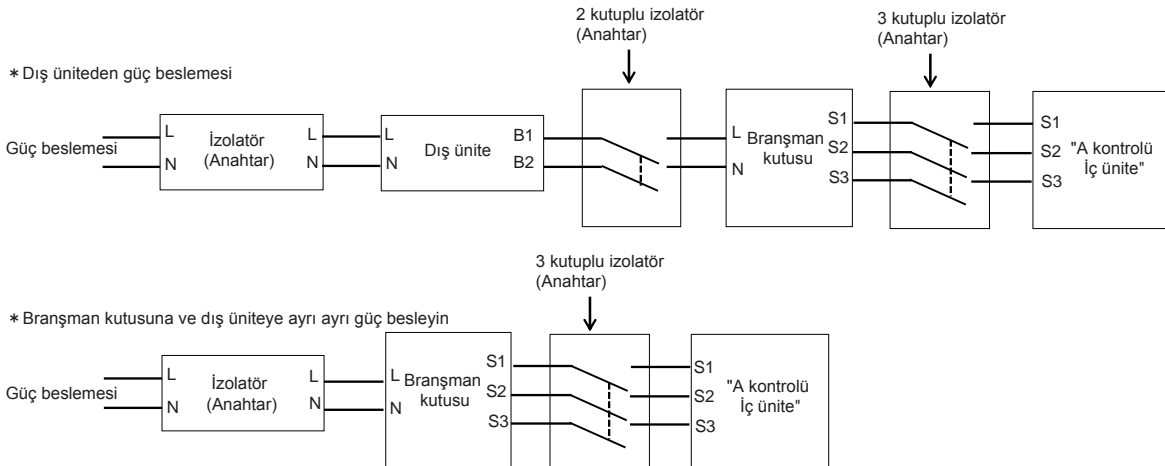
İç ünite	V2
Branşman Kutusu	3,0

Örnek çizelge



⚠ Uyarı:

A kontrol kablosu kullanılıyorsa, S3 terminali üzerinde, güç hattı ile iletişim sinyal hattı arasında elektrik yalıtımı içermeyen elektrik devresi tasarımı nedeniyle yüksek gerilim potansiyeli mevcuttur. Bu nedenle, servis sırasında ana güç beslemesini kapalı konuma getirin. Ayrıca, güç açık konumdayken S1, S2 ve S3 terminallerine dokunmayın. Dış ünite ile branşman kutusu/iç ünite ile branşman kutusu arasında bir izolatör kullanılıyorsa, lütfen 3 kutuplu bir tip kullanın.

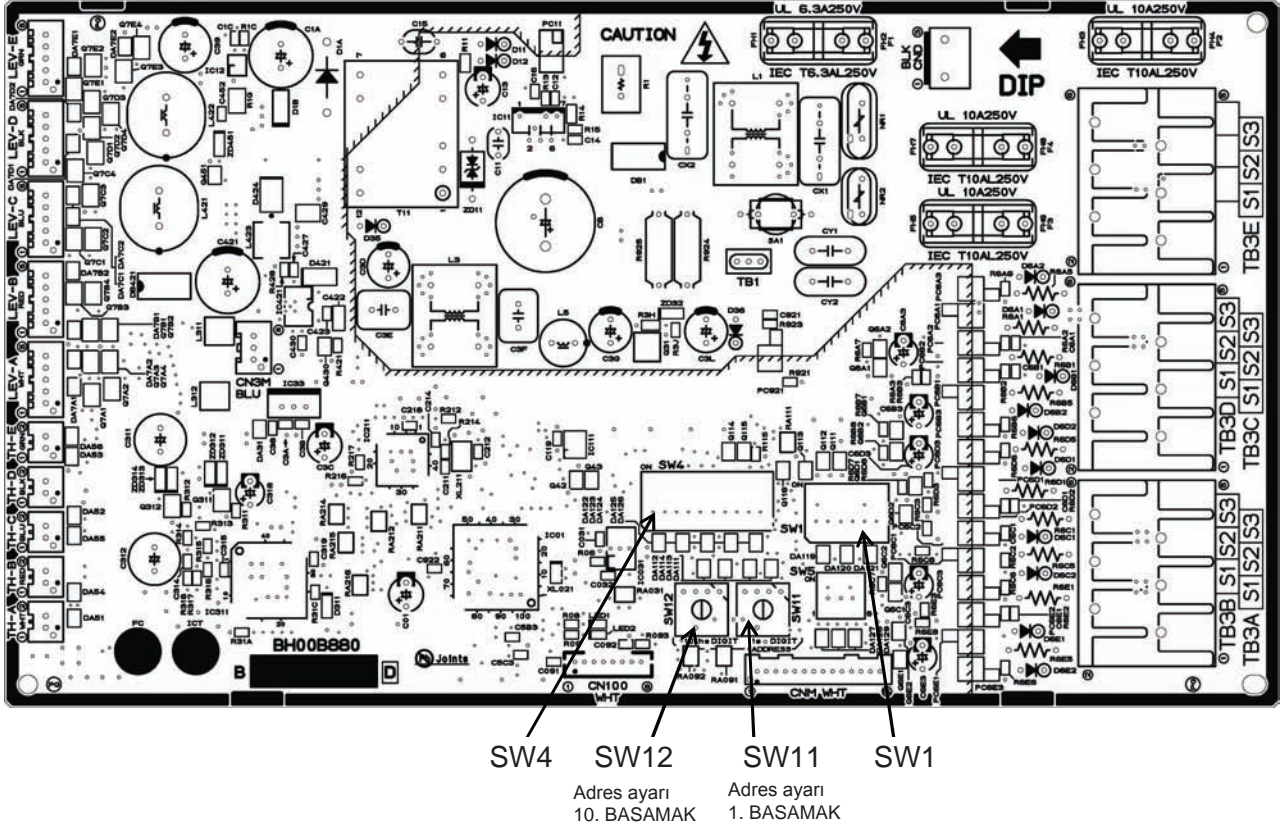


⚠ Dikkat:

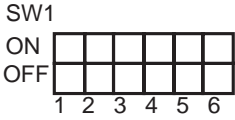
İzolatörü kullandıktan sonra, sistemi sıfırlamak için ana güç beslemesini kapatıp açtığınızdan emin olun. Aksi takdirde, dış ünite branşman kutusunu (kutularını) veya iç üniteleri algılamayabilir.

8. Elektrik işleri

8.3. Anahtar ayarı



DIP anahtarı ayarı (Yalnızca güç açık konuma getirilmeden önce etkindir)



İç Ünite A
İç Ünite B
İç Ünite C
İç Ünite D
İç Ünite E
Atanmamıştır

Switch	OFF	Hayır
SW1-1	Hayır	Evet
SW1-2	Hayır	Evet
SW1-3	Hayır	Evet
SW1-4	Hayır	Evet
SW1-5	Hayır	Evet
SW1-6		

Adres anahtarı (Yalnızca güç açık konuma getirilmeden önce etkindir)

Gerçek iç ünite adres ayarı farklı sistemlerde farklılık gösterir. Adres ayarının nasıl yapılacağı hakkında ayrıntılı bilgi için, dış ünite montaj kılavuzuna bakın. Her bir adres, 10. basamak ve 1. basamak için ayarların bir kombinasyonu ile ayarlanır.

- (Örnek)
- Adresi "3" olarak ayarlarken, 1. basamağı 3 olarak ve 10. basamağı 0 olarak ayarlayın.
 - Adresi "25" olarak ayarlarken, 1. basamağı 5 olarak ve 10. basamağı 2 olarak ayarlayın.

(Örnek)

- Branşman Kutusu adresini "3" olarak ayarlanırken, her bir iç ünitenin bağlı olup olmamasından bağımsız olarak Ünite A ile başlayan her bir iç üniteye bir adres atanır. (SW1-1~5 AÇIK)

- İç Ünite A Adresi 3
- İç Ünite B Adresi 4
- İç Ünite C Adresi 5
- İç Ünite D Adresi 6
- İç Ünite E Adresi 7
- Adres "25" olarak ayarlanırsa ve ayrıca 3 iç ünite (Ünite A, Ünite C ve Ünite E) bağlanırsa. (SW1-1, 1-3, 1-5 AÇIK)
- İç Ünite A Adresi 25
- İç Ünite C Adresi 26
- İç Ünite E Adresi 27

9. Test işletmesi

- İç ünitelerin ve dış ünitenin montaj kılavuzlarındaki "Test işletmesi" bölümüne bakın.
- Branşman kutusu ve dış ünite güç kaynağı ayrı ise, önce branşman kutusunu gücünü ve ardından dış ünite gücünü açık konuma getirin.

• **Güç beslendikten sonra veya çalışma belirli bir süre durdurulduktan sonra branşman kutusunun içerisinden hafif bir klik sesi duyulabilir. Elektrostatik genişleme vanası açılıp kapanıyordur. Bir ünite arızası olduğu anlamına gelmez.**

- Test işletmesini her bir iç ünite için soğutma modunda gerçekleştirin. Her bir iç ünitenin ürünle birlikte verilen montaj kılavuzuna uygun olarak doğru şekilde çalıştığından emin olun.
- Tüm iç üniteler için aynı anda test işletmesi gerçekleştirirseniz, soğutucu akışkan borularındaki ve iç/dış ünite bağlantı kablolarındaki olası hatalı bağlantıları tespit edemezsiniz.
- Olası hatalı kablo bağlantılarını kontrol etmek için, test işletmesini her bir iç ünite için ayrı olarak uygulayın.

⚠ Dikkat:

- **İç üniteyi çalıştırmak için uzaktan kumandayı kullanın.**
- **Aşağıdaki belirtiler bir arıza olduğunu göstermez.**

Belirti	Nedeni	İç ünite LED ekranı*
Soğutma (ısıtma) moduna ayarlanmasına rağmen iç ünite çalışmıyor	Başka bir iç ünite ısıtma (soğutma) modunda çalışırken, soğutma (ısıtma) modu başlatılamaz.	Bekleme (Multi Sistem için)
İç ünite fanı, ısıtma modu sırasında duruyor	Fan, defrost çalışması sırasında durur.	-
	Fan, soğutucu akışkan toplama modu** etkinleştirildiğinde durur.	Bekleme (Multi Sistem için)

* Ayrıntılı bilgi için, iç ünite kullanım kılavuzuna bakın.

** Soğutucu akışkan, kapalı veya termo-kapalı konumda bulunan bir iç üniteye depolanırken ısıtma modu sırasında soğutucu akışkanın yetersiz şekilde beslenmesinin önlenmesine yardımcı olması için bu mod yaklaşık 1 dakika boyunca etkinleştirilir.

Содержание

1. Меры предосторожности	134	5. Трубопровод хладагента	138
2. Выбор места монтажа	134	6. Монтаж ответвительной коробки	139
3. Проверка комплектности поставки	135	7. Установка трубопровода хладагента	139
4. Размеры ответвительной коробки и необходимого сервисного пространства	135	8. Электрические работы	141
		9. Выполнение испытания	145

Данное руководство по монтажу относится только к установке ответвительной коробки. Информация об установке внутренних приборов и наружного прибора приводится в руководстве по монтажу, прилагаемому к каждому прибору.

1. Меры предосторожности

- ▶ До установки прибора убедитесь, что Вы прочли все “Меры предосторожности”.
- ▶ Пожалуйста, перед подключением данного оборудования к системе электропитания, сообщите об этом своему поставщику электропитания или получите его разрешение.
- ▶ Серия PAC-MK-BC разработана для эксплуатации в качестве профессионального оборудования.
- ▶ При подаче питания от наружного прибора требования стандартов, применяемые к наружному прибору, могут не соблюдаться в зависимости от используемого внутреннего прибора.

⚠ Предупреждение:

Описывает меры предосторожности, необходимые для предотвращения получения травмы или гибели пользователя.

⚠ Осторожно:

Описывает меры предосторожности, необходимые для предотвращения повреждения прибора.

⚠ Предупреждение:

- Прибор не должен устанавливаться пользователем.
- Для выполнения установки прибора обратитесь к дилеру или сертифицированному техническому специалисту.
- При установочных работах следуйте инструкциям в Руководстве по установке и используйте инструменты и детали трубопроводов, специально предназначенные для использования с хладагентом, указанным в руководстве по установке наружного прибора.
- Прибор должен быть установлен согласно инструкциям, чтобы свести к минимуму риск повреждения от землетрясений, тайфунов или сильных порывов ветра. Неправильно установленный прибор может упасть и причинить повреждение или нанести травму.
- Прибор должен быть установлен на конструкции, способной выдерживать его вес.
- Если кондиционер установлен в небольшом помещении, необходимо принять меры для предотвращения концентрации хладагента свыше безопасных пределов в случае утечки хладагента. В случае утечки хладагента и превышении допустимой его концентрации из-за нехватки кислорода в помещении может произойти несчастный случай.
- Если во время работы прибора произошла утечка хладагента, проветрите помещение. При контакте хладагента с пламенем образуются ядовитые газы.
- Все электроработы должны выполняться квалифицированным техническим специалистом в соответствии с местными правилами и инструкциями, приведенными в данном Руководстве.
- Используйте только указанные кабели для электропроводки.
- Крышка клеммной коробки должна быть надежно присоединена к прибору.
- Используйте только те дополнительные принадлежности, на которые имеется разрешение от Mitsubishi Electric; для их установки обратитесь к дилеру или уполномоченному техническому специалисту.
- Пользователю не следует пытаться ремонтировать прибор или перемещать его на другое место.
- По окончании установки убедитесь в отсутствии утечки хладагента. Если хладагент проникнет в помещение и произойдет контакт его с пламенем обогревателя или переносного пищевого нагревателя, образуются ядовитых газов.
- Обязательно подключайте кабели электропитания и соединительные провода внутренних приборов, наружных приборов и ответвительных коробок непосредственно к приборам (без промежуточных соединений). Промежуточные соединения могут привести к ошибкам связи, если вода попадет в кабели или провода и приведет к недостаточной изоляции заземления или плохому электрическому контакту в точке промежуточного соединения.
(Если промежуточное соединение необходимо, обязательно предпримите меры по предотвращению проникновения воды в кабели и провода.)

2. Выбор места монтажа

* Ответвительная коробка предназначена только для использования внутри помещения.

- Убедитесь, что ответвительная коробка установлена в месте, обеспечивающем простое сервисное и техническое обслуживание. (убедитесь в наличии необходимого окна технического обслуживания и сервисного пространства).

• Не осуществляйте установку около спальных комнат. Иногда можно услышать звук хладагента, протекающего по трубопроводу.

• Обязательно осуществляйте установку в том месте, где шум работы не будет представлять собой проблему.

После подачи питания или спустя некоторое время после отключения, внутри ответвительной коробки можно услышать негромкий щелкающий шум. Происходит открытие и закрытие электронного регулировочного вентиля. Прибор исправен.

- Определите маршрут прокладки трубопровода хладагента, дренажного трубопровода и электропроводки заранее.

После окончания установочных работ проинструктируйте пользователя относительно правил эксплуатации и обслуживания аппарата, а также ознакомьте с разделом “Мера предосторожности” в соответствии с информацией, приведенной в Руководстве по использованию аппарата, и выполните тестовый прогон аппарата для того, чтобы убедиться, что он работает нормально. Обязательно передайте пользователю на хранение экземпляры Руководства по установке и Руководства по эксплуатации. Эти Руководства должны быть переданы и последующим пользователям данного прибора.

⚡ : Указывает, что данная часть должна быть заземлена.

⚠ Предупреждение:

Внимательно прочтите текст на этикетках главного прибора.

⚠ Осторожно:

- Убедитесь в надлежащей изоляции труб хладагента для предотвращения конденсации. Неполная изоляция может привести к конденсации на поверхности труб, появлению влаги на потолке, полу и другом важном имуществе.
- Не используйте прибор в нестандартной окружающей среде. Если кондиционер устанавливается в местах, подверженных воздействию пара, летучих масел (включая машинное масло) или сернистого газа, а также в местах с повышенной концентрацией соли, например на берегу моря, эффективность работы кондиционера может значительно снижаться, а его внутренние части могут быть повреждены.
- Не устанавливайте прибор в местах, где возможна утечка, возникновение, приток или накопление горючих газов. Если горючий газ будет накапливаться вокруг прибора, это может привести к возникновению пожара или к взрыву.
- При монтаже прибора в больнице или центре связи следует принимать во внимание шумовые и электронные помехи. Работа таких устройств, как инверторы, бытовые приборы, высокочастотное медицинское оборудование и оборудование радиосвязи, может вызывать сбои в работе кондиционера или его поломку. Кроме того, кондиционер может влиять на работу медицинского оборудования и на медицинское обслуживание, а также на работу коммуникационного оборудования, вызывая искажение изображения на дисплее.
- Тепловая изоляция труб хладагента необходима для предотвращения образования конденсата. Если труба хладагента не изолирована должным образом, то это приведет к образованию конденсата.
- Для предотвращения образования конденсата нанесите на трубы тепловую изоляцию. Если дренажная труба установлена неправильно, то это может привести к протечке воды, повреждению потолка, пола, мебели или другого имущества.
- Не мойте кондиционер водой. Это может привести к поражению электрическим током.
- Затягивайте все гайки раструбного стыка в соответствии со спецификациями, используя ключ с регулируемым усилием. При слишком сильной затяжке гайка раструбного стыка может выйти из строя по прошествии некоторого времени.
- Обязательно установите автоматические выключатели. В противном случае возможно поражение электрическим током.
- Для электропроводки используйте стандартные кабели достаточной мощности. В противном случае может произойти короткое замыкание, перегрев или возгорание.
- При монтаже электропроводки не натягивайте кабель. При ослаблении соединений кабель может отсоединиться или порваться, что может привести к перегреву или возникновению пожара.
- Не подсоединяйте провода заземления к газовым или водопроводным трубам, громоотводам или к заземлению телефонных линий. Если прибор не заземлен должным образом, то это может привести к поражению электрическим током.

- Убедитесь в том, что место монтажа находится в указанных пределах по длине трубопровода хладагента.

• Не осуществляйте установку в месте, в котором тепло или влажно в течение продолжительных периодов времени.

- Убедитесь, что ответвительная коробка установлена над потолком коридора, ванной комнаты и т.д., в таком месте, где люди бывают нечасто (избегайте установки в центре помещения) для проведения обслуживания.

* Убедитесь, что прибор устанавливается в месте, способном выдержать его вес.

⚠ Предупреждение:

Убедитесь, что прибор надежно устанавливается в месте, способном выдержать его вес. Если место монтажа недостаточно прочное, прибор может упасть и причинить травмы.

3. Проверка комплектности поставки

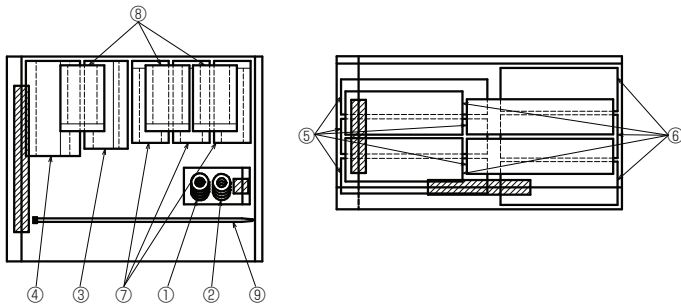


Fig. 3-1

3.1. Проверьте принадлежности и детали ответвительной коробки

	Наименование принадлежности	Кол-во		
		РАС-МК30BC	РАС-МК50BC	
①	Прокладка (с изоляцией)	4	4	
②	Прокладка	4	4	
③	Крышка трубы (жидкостной)	1	1	К наружному прибору
④	Крышка трубы (газовой)	1	1	К наружному прибору
⑤	Крышка трубы (жидкостной)	3	5	К внутреннему прибору
⑥	Крышка трубы (газовой)	3	5	К внутреннему прибору
⑦	накладка (жидкостной)	1	3	
⑧	накладка (газовой)	1	3	
⑨	Зажим	16	24	

4. Размеры ответвительной коробки и необходимого сервисного пространства

Дополнительные различные (деформированные) стыки

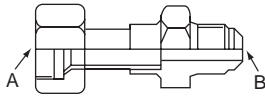


Fig. 4-1

Наименование модели	Диаметр подсоединяемых труб	Диаметр А	Диаметр В
	ММ		
MAC-A454JP	ø9,52 → ø12,7	ø9,52	ø12,7
MAC-A455JP	ø12,7 → ø9,52	ø12,7	ø9,52
MAC-A456JP	ø12,7 → ø15,88	ø12,7	ø15,88
РАС-493PI	ø6,35 → ø9,52	ø6,35	ø9,52
РАС-SG76RJ-E	ø9,52 → ø15,88	ø9,52	ø15,88

- * Пожалуйста, подключите два или несколько внутренних приборов к одной системе.
- * К одному наружному прибору можно подключить ответвительные коробки по схеме 1-2.
- * Подвесной болт: W3/8(M10)
- * Фланцевое соединение трубы хладагента

* Размер трубопроводного соединения отличается в зависимости от типа и мощности внутренних приборов. Подберите размеры трубопроводного соединения для внутреннего прибора и ответвительной коробки. Если размер трубопроводного соединения ответвительной коробки не совпадает с размером трубопроводного соединения внутреннего прибора, воспользуйтесь дополнительными стыками (деформированными) с различными диаметрами, чтобы подсоединить их к стороне ответвительной коробки. (Подсоедините деформированный стык непосредственно к стороне ответвительной коробки.)

- А Расстояние между подвесными болтами
- Б К внутреннему прибору
- В К наружному прибору
- Г Сервисная панель (для LEV, THERMISTOR)
- Д Крышка электрооборудования
- Е Резиновая втулка
- Ж Клеммная колодка (к внутреннему прибору на панели управления)
- З Клеммная колодка (к наружному прибору)
- И Клеммная колодка (для кабеля связи)
- К Кабельный зажим

* Убедитесь, что ответвительная коробка установлена в соответствии с рисунком ниже.

■ РАС-МК50BC (тип с 5 ответвлениями)

Подвесной болт: W3/8 (M10)

Фланцевое соединение трубы хладагента

ММ

	А	В	С	Д	Е	К наружному прибору
Труба для жидкости	ø6,35	ø6,35	ø6,35	ø6,35	ø6,35	ø9,52
Труба для газа	ø9,52	ø9,52	ø9,52	ø9,52	ø12,7	ø15,88

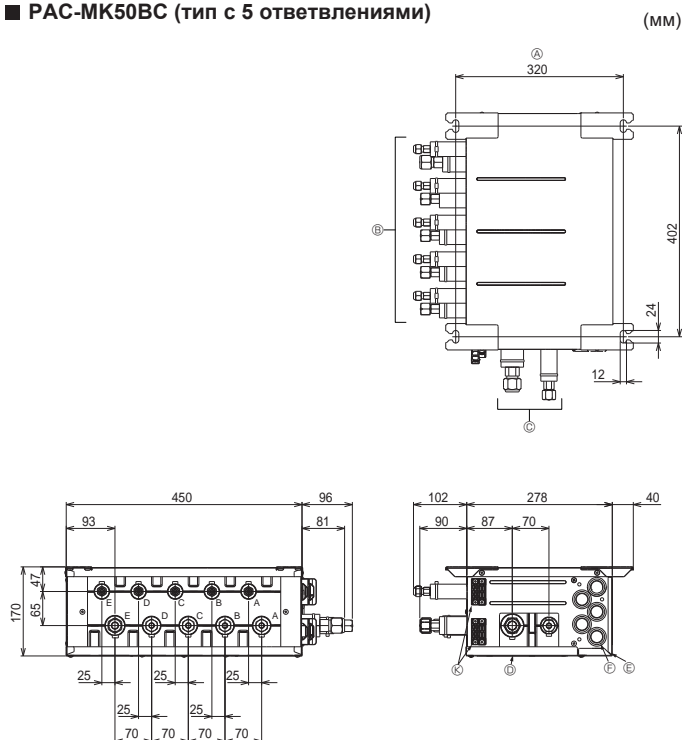


Fig. 4-2

Формула преобразования

1/4 F	ø6,35
3/8 F	ø9,52
1/2 F	ø12,7
5/8 F	ø15,88
3/4 F	ø19,05

4. Размеры ответвительной коробки и необходимого сервисного пространства

■ PAC-MK30BC (тип с 3 ответвлениями)

(мм)

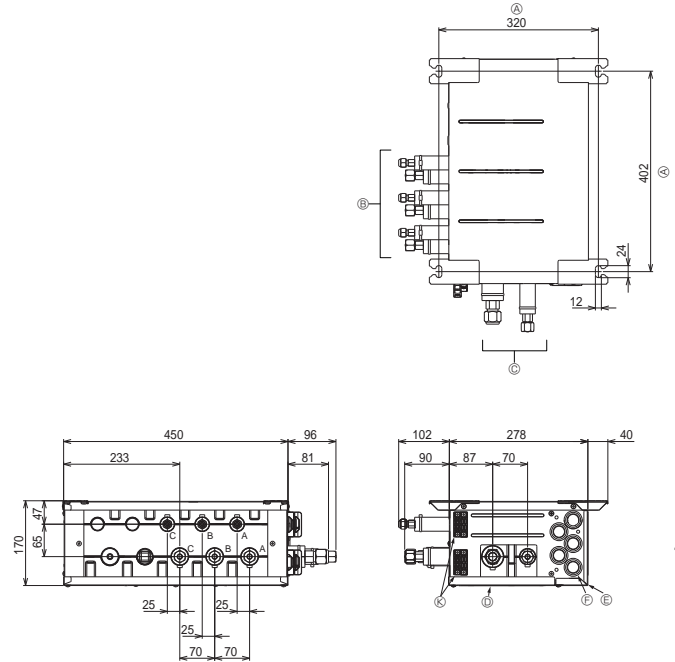


Fig. 4-3

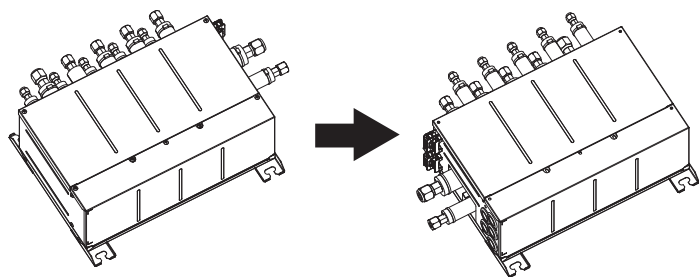
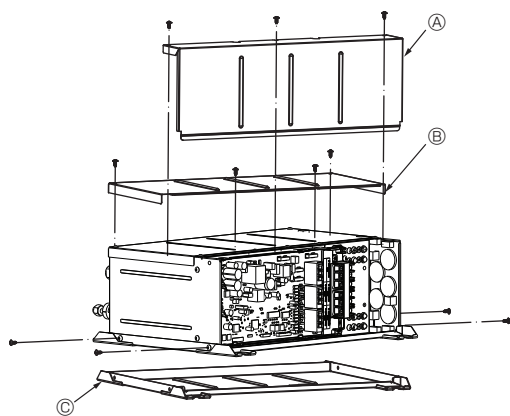


Fig. 4-4

② Снимите крышку электрооборудования, сервисную панель и верхнюю панель.

- А Крышка электрооборудования
- В Сервисная панель
- С Верхняя панель

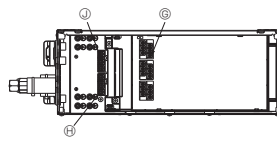


■ PAC-MK30BC (Fig.4-3)

Подвесной болт: W3/8 (M10)

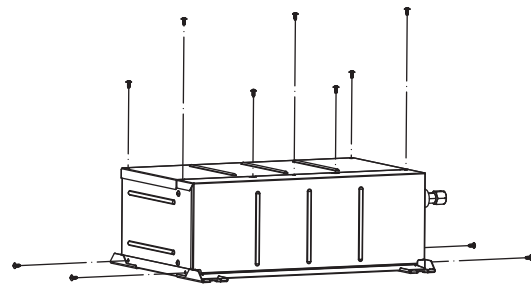
Раструбное соединение трубы хладагента

	мм			
	A	B	C	К наружному прибору
Труба для жидкости	ø6,35	ø6,35	ø6,35	ø9,52
Труба для газа	ø9,52	ø9,52	ø9,52	ø15,88



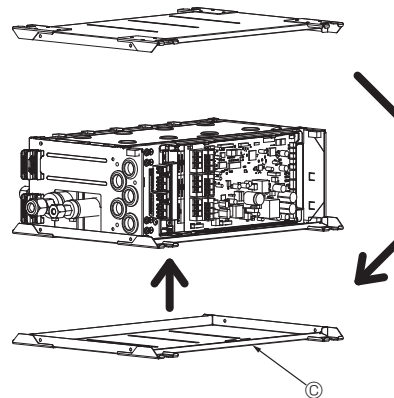
4.1. Направление трубопровода может быть изменено. (Fig. 4-4). [Рабочая процедура] (Fig. 4-5)

① Снять винты в каждой части.



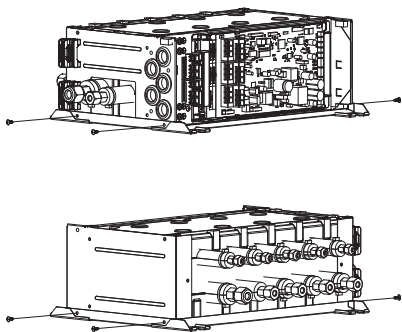
③ Установите верхнюю панель на противоположную поверхность.

С Верхняя панель



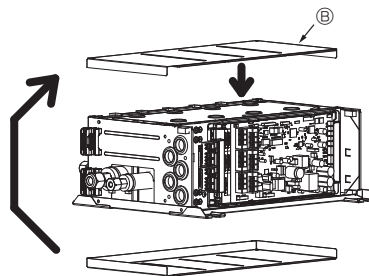
4. Размеры ответвительной коробки и необходимого сервисного пространства

④ Затяните винты на каждой части.

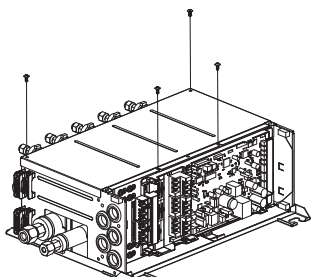


⑤ Установите верхнюю панель на противоположную поверхность.

Ⓑ Сервисная панель

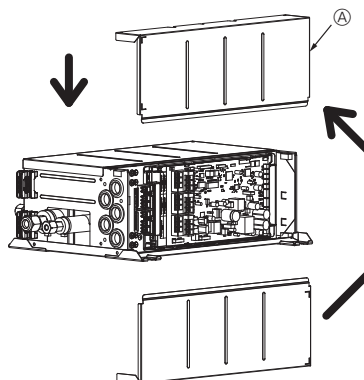


⑥ Затяните винты.



⑦ Установите сервисную панель на противоположную поверхность.

Ⓐ Крышка электрооборудования



⑧ Затяните винты.

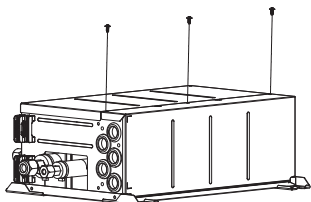


Fig. 4-5

4. Размеры ответвительной коробки и необходимого сервисного пространства

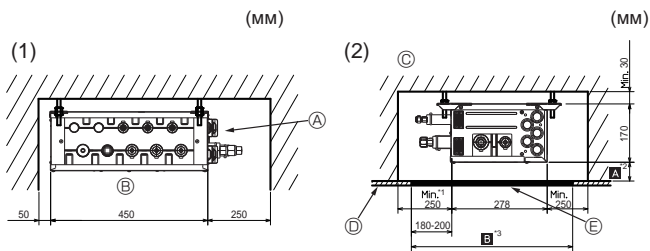


Fig. 4-6

Fig. 4-7

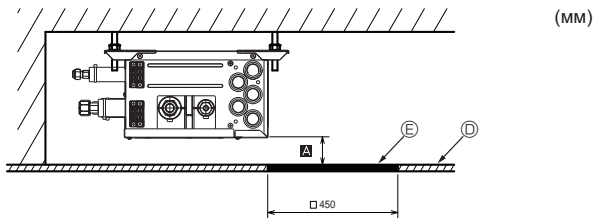


Fig. 4-8

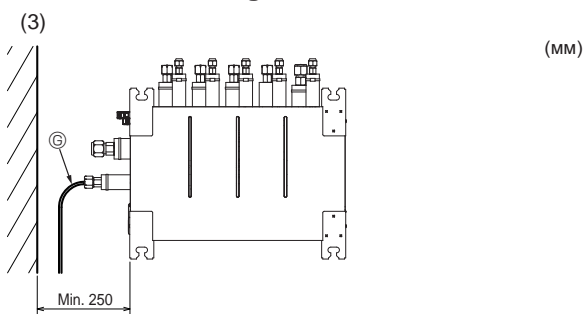


Fig. 4-9

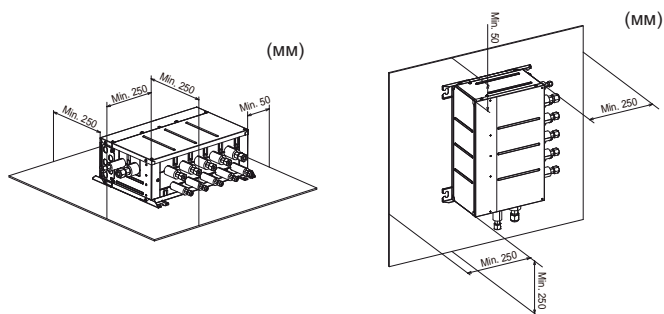


Fig. 4-10

Fig. 4-11

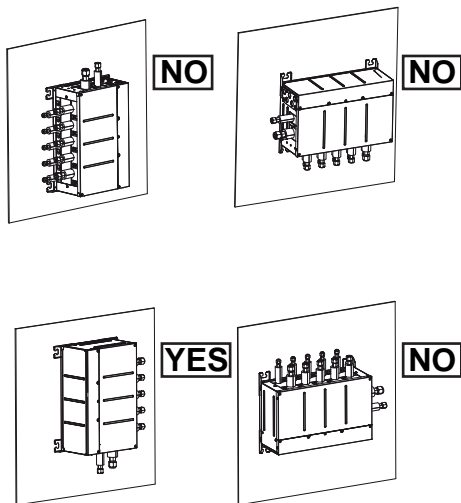


Fig. 4-12

4.2. Место, необходимое для установки и обслуживания

I. Пространство при установке с помощью подвесных болтов.

(1) Вид спереди (Fig. 4-6)

- Ⓐ Ответвительная коробка
- Ⓑ Со стороны трубопроводов

(2) Вид сбоку (Fig. 4-7, Fig. 4-8)

- Ⓒ Для установки внутри помещения
- Ⓓ Потолочная доска

Ⓔ Окно технического обслуживания

*1: Для сгибов в 90° в трубопроводе хладагента необходимый минимальный радиус составляет 350 мм.

*2: Ⓐ - "мин. 200 мм" <рекомендация>.

В случае, если цифра составляет менее 200 мм (например, если Ⓐ = 100 мм), работа по замене ответвительной коробки из отверстия техобслуживания затрудняется (имеется возможность замены только печатной платы, витков линейного расширительного клапана, датчиков и дренажного поддона).

*3: Ⓑ составляет "□ 600 мм" <рекомендация>.

В случае "□ 450" подготовьте отверстие для техобслуживания со стороны печатной платы (как показано на Fig. 4-7), при этом в качестве расстояния Ⓐ необходимо "минимум 300 мм".

В случае, если цифра составляет менее 300 мм (например, если Ⓐ = 100 мм), работа по замене ответвительной коробки, витков линейного расширительного клапана, датчиков и дренажного поддона из отверстия техобслуживания затрудняется (имеется возможность замены только печатной платы).

(3) Вид сверху (Fig. 4-9)

- Ⓒ Трубопровод хладагента

II. Пространство при установке на полу. (Fig. 4-10)

III. Пространство при установке на стену. (Fig. 4-11)

Направление монтажа ограничено при установке на стену. (Fig. 4-12)

При установке на стену трубопровод, подсоединяемый к наружному прибору, следует направлять вниз. Другие способы неприемлемы.

5. Трубопровод хладагента

* Всегда следуйте спецификациям, приведенным в руководстве по монтажу наружного прибора. Превышение указанных требований может привести к снижению производительности оборудования и неисправностям.

6. Монтаж ответвительной коробки

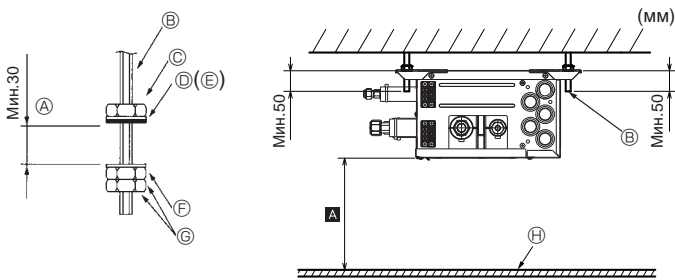


Fig. 6-1

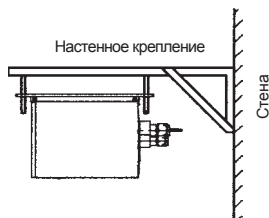


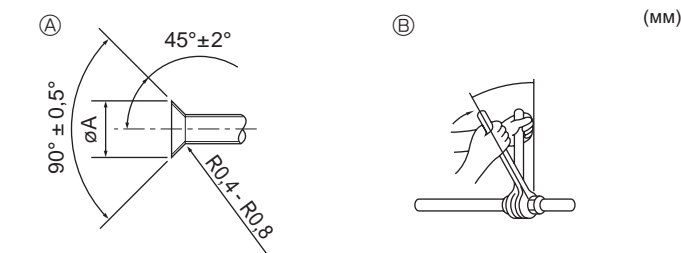
Fig. 6-2

* Приобретите соответствующий кронштейн на месте, если прибор будет крепиться к стене.

- Установите подвесные болты (приобретаются на месте), соблюдая указанный шаг (Fig. 4-2, 4-3).
- Наденьте прокладки и гайки (1, 2, приобретаются на месте) на подвесные болты. (Fig. 6-1)
- Повесьте прибор на подвесные болты.
- Полностью затяните гайки (проверьте высоту потолка).
- Воспользуйтесь уровнем для вертикальной регулировки ответвительной коробки.

- А Прибор подвешен, гайки затянуты
 Б Подвесной болт
 В Гайки
 Д Прокладка (с подушкой) ①
 Е Убедитесь, что подушка смотрит вниз
 F Прокладка (без подушки) 2
 G Гайка (приобретается на месте)
 H Потолочная доска.

7. Установка трубопровода хладагента



- А Раструбный стык - размеры
 Б Момент затяжки гайки раструбного стыка

Fig. 7-1

- А Раструбный стык - размеры

Таблица 1

Медная труба O.D (мм)	Размеры раструба, диаметр А (мм)
ø6,35	8,7-9,1
ø9,52	12,8-13,2
ø12,7	16,2-16,6
ø15,88	19,3-19,7

- Б Момент затяжки гайки раструбного стыка

Таблица 2

Медная труба O.D (мм)	Гайка раструбного стыка O.D. (мм)	Момент затяжки (Н·м)*
ø6,35	17	14-18
ø6,35	22	34-42
ø9,52	22	34-42
ø12,7	26	49-61
ø12,7	29	68-82
ø15,88	29	68-82
ø15,88	36	100-120

- Подключите жидкостную и газовую трубу каждого внутреннего прибора к тем же номерам концевых соединений, указанных на секции фланцевого соединения внутреннего прибора каждой ответвительной коробки. При подключении к неправильным номерам концевых соединений оборудование будет работать неправильно.
- При подключении внутренних приборов, обязательно подсоединяйте трубы хладагента и соединительные провода к соответствующим соединительным портам, соблюдая буквенные обозначения. (Например: А, В, С, D, E)

Примечание:

Обязательно нанесите отметки на все местные трубопроводы хладагента (жидкостные трубы, газовые трубы и т.д.) каждого внутреннего прибора с четким обозначением помещения, в котором он установлен. (Например: А, В, С, D, E)

Составьте список моделей внутренних приборов на шильдике блока управления ответвительной коробки (в целях идентификации).

- Выполните необходимые противоконденсатные и изоляционные работы, чтобы предотвратить просачивание воды из труб хладагента (труба для жидкости/труба для газа).
- Усиьте изоляцию в зависимости от окружающей среды, в которой устанавливается трубопровод хладагента, или если есть вероятность появления конденсата на поверхности изоляционного материала. (Термостойкость изоляционного материала: 120 °С, толщина: 15 мм или более)
- * Если трубопровод хладагента используется в местах, подверженных воздействию высокой температуры и влажности, например, в чердачных помещениях, может потребоваться дополнительная изоляция.
- Для изоляции трубопровода хладагента нанесите теплоустойчивый пенополиэтилен между внутренним прибором и изоляционным материалом, а также на сетку между изоляционным материалом, заполняя все отверстия. (Образование конденсата на трубопроводе может привести к появлению конденсата в помещении или к получению ожогов при контакте с трубопроводом.)
- При использовании имеющегося в продаже трубопровода хладагента, убедитесь, что и жидкостный, и газовый трубопроводы обернуты имеющимися в продаже теплоизоляционными материалами (изоляционные материалы толщиной не менее 12 мм, способные выдерживать температуры свыше 100 °С).
- При создании вакуума и открытии или закрытии вентилей см. руководство по эксплуатации наружного прибора.
 - Снимите конусные гайки и крышки с ответвительной коробки.
 - Развальцуйте концы жидкостного и газового трубопроводов и нанесите охлаждающее масло (приобретается на месте) на развальцованное место. Запрещается наносить масло на резьбовой части.
 - Сразу же подсоедините трубопровод хладагента. Всегда затягивайте конусные гайки до крутящего момента, указанного в таблице ниже, с помощью тарированного ключа и двойного гаечного ключа.
 - Прижмите крышки труб ③ и ⑤ на жидкостном трубопроводе к прибору и оберните их, чтобы зафиксировать на месте. (Fig. 7-3)
 - Прижмите крышки труб ④ и ⑥ на газовом трубопроводе к прибору и оберните их, чтобы зафиксировать на месте.
 - Прикрепите входящие в комплект поставки зажимы ⑨ на расстоянии в 10 - 20 мм от каждого конца крышек труб (③ ④ ⑤ ⑥).
 - Если внутренний прибор не подсоединен, наденьте входящие в комплект крышки труб (с колпачками, ⑦ и ⑧) на соединения трубопровода хладагента ответвительной коробки для предотвращения вытекания конденсата из труб. (Fig. 7-4)
 - Затяните крышки труб (⑦ ⑧) на месте с помощью входящих в комплект поставки зажимов ⑨.

7. Установка трубопровода хладагента

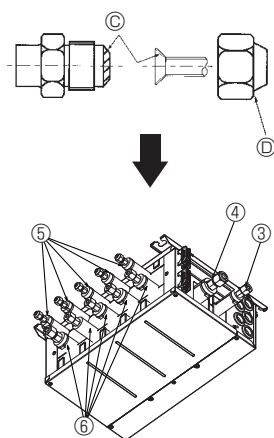


Fig. 7-2

⚠ Осторожно:

Затяните конусную гайку тарированным ключом, соблюдая указанный способ.

Чрезмерная затяжка приведет к разлому конусной гайки, а со временем приведет к утечке хладагента.

Ⓒ Нанесите охлаждающее масло на всю (Fig. 7-3) поверхность развальцованного места.

Ⓓ Мы рекомендуем пользоваться конусными гайками, прикрепленными к корпусу (имеющиеся в продаже конусные гайки могут треснуть).

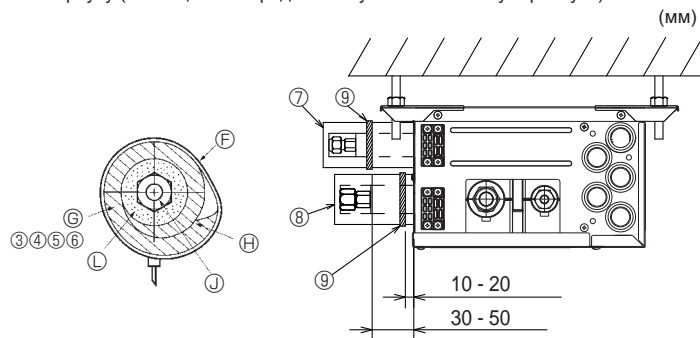


Fig. 7-3

Fig. 7-4

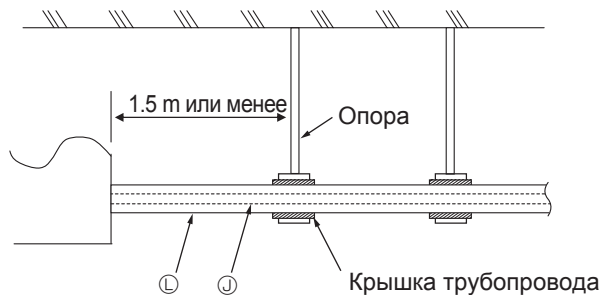


Fig. 7-5

Примечание:

Для некоторых внутренних приборов необходима специальная конусная гайка (дополнительная принадлежность или входит в комплект поставки внутреннего прибора).

Подробнее см. руководство по установке наружного прибора и внутреннего прибора.

- Ⓔ Зажим
- Ⓒ Крышки труб ③④⑤⑥
- Ⓗ Затяните
- Ⓙ Трубопровод хладагента
- Ⓛ Теплоизоляция трубопровода хладагента

► Выполните следующие процедуры, относящиеся к деталям ответвительной коробки, которые не подключены к внутреннему прибору. (Fig. 7-4)

(1) Для предотвращения утечек хладагента, убедитесь в том, что конусные гайки затянуты в соответствии со значениями крутящего момента*, указанными в Таблице 3.

* Утечки хладагента также могут возникать по причине затяжки конусных гаек с превышением указанных крутящих моментов.

(2) Для предотвращения конденсации установите крышки труб ⑦ ⑧ и затяните их входящими в комплект поставки зажимами ⑩ .

Таблица 3

Диаметры ответвительных коробок для подключения внутренних приборов (мм)	Крутящий момент затяжки (Н·м)
ø6,35	13 ± 2
ø9,52	30 ± 2
ø12,7	50 ± 2

► Зарядка хладагента:

См. руководство по монтажу наружного прибора.

Используйте только хладагент R410A (использование других хладагентов может привести к неприятностям).

⚠ Осторожно:

Во избежание чрезмерного натяжения на ответвительной коробке установите одну или несколько опор для трубопровода на расстоянии 1,5 м или менее от ответвительной коробки. См. рисунок 7-5 в качестве примера.

- Ⓙ Трубопровод хладагента
- Ⓛ Теплоизоляция для трубопровода хладагента

8. Электрические работы

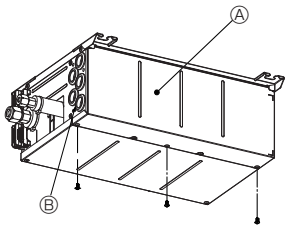


Fig. 8-1

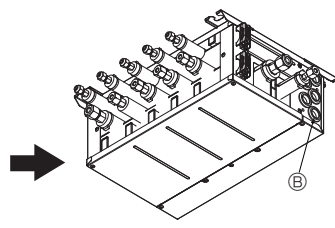


Fig. 8-2

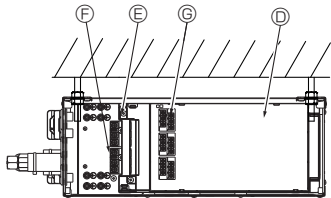


Fig. 8-3

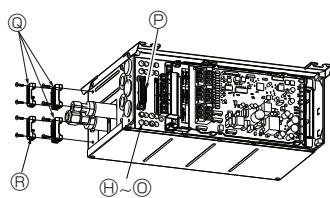


Fig. 8-4

- А Крышка электрооборудования
- Б Резиновая втулка
- С Проводка
- Д Плата контроллера
- Е Клеммная колодка: ТВ5
- Ф Клеммная колодка: ТВ2В
- Г Клеммная колодка: ТВ3А–ТВ3Е
- Д Клеммная колодка: ТВ3А–ТВ3Е
- Ж Зажим заземления
- З Зажим заземления
- И Зажим заземления
- К Зажим заземления
- Л Зажим заземления
- М Зажим заземления
- Н Зажим заземления
- О Зажим заземления
- П Кабельный зажим
- Q Кабельный зажим
- Р Кабельный зажим

- У Зажим заземления <Для ТВ3А>
- Ф Зажим заземления <Для ТВ3В>
- Ц Зажим заземления <Для ТВ3Д>
- М Зажим заземления <Для ТВ3С>
- Н Зажим заземления <Для ТВ3Е>
- О Зажим заземления
- П Кабельный зажим <Для ТВ2В>
- Q Кабельный зажим <Для ТВ3А–ТВ3Е>
- Р Кабельный зажим <Для ТВ5>

► Меры предосторожности при электротехнических работах.

⚠ Предупреждение:

- Всегда используйте соответствующие контуры с прерывателями при номинальном напряжении.
- Контуры электропитания недостаточной мощности и низкое качество работ при установке могут привести к поражению электрическим током или пожару.

⚠ Осторожно:

- Обязательно подключите заземление. Не заземляйте прибор к трубам коммунальных служб, громоотводу или телефонному заземлению.

Недостаточное заземление может привести к поражению электрическим током. Сверхток из-за молнии или других источников может повредить кондиционер.

- Пользуйтесь указанной электропроводкой и проверяйте правильность подключения, также следите за тем, чтобы провода не были натянуты. Несоблюдение данных требований может привести к обрыву проводки, перегреву или пожару.

► Перед включением ответвительной коробки убедитесь в том, что переключатели настроены.

► Чтобы включить питание, сначала включите ответвительную коробку, а затем наружный прибор. (Если источники питания ответвительной коробки и наружного прибора отдельные.)

► Электропроводка, соединяющая ответвительную коробку и наружный прибор, а также ответвительную коробку и внутренние приборы, работает и как источник питания, и как сигнальный кабель. Подключайте данную проводку в соответствии с номерами клеммной колодки для обеспечения правильной полярности.

► Убедитесь, что соответствующий трубопровод хладагента и электропроводка подключены к каждому внутреннему прибору. Неправильная электропроводка будет препятствовать надлежащей работе прибора.

► Подключите трубы хладагента и соединительные провода к соответствующим портам, соблюдая буквенные обозначения (Например: А, В, С, D, E) на данном приборе.

► Сначала подсоедините кабель питания от наружного прибора.

► Всегда прикрепляйте каждый провод заземления отдельно с помощью винта заземления.

► Чтобы проводку, проложенную в потолке, не прогрызли крысы и т.п. ее следует прокладывать в кабелепроводе.

1. Выньте винты из крышки. (Fig. 8-1)
2. Пропустите проводку в ответвительную коробку, закрепляя каждый провод на соответствующем месте зажимом.
3. Надежно закрепите каждый провод к соответствующей клеммной колодке. (Fig. 8-8)
4. Установите двухпозиционный переключатель. (См. 8.3)
5. Установите крышку электрооборудования на место.

8.1. При использовании кабелепровода (Fig. 8-5,6,7)

Установите на место горизонтальную крышку после закрепления кабелепровода.

- А Крышка
- Б Кабелепровод
- С Прокладка
- Д Гайка

Можно использовать кабелепровод с наружным диаметром до 1".

(1) При использовании кабелепровода с наружным диаметром в 1", снимите втулку и прикрепите ее к ответвительной коробке. Снимите горизонтальную крышку и прикрепите ее к ответвительной коробке.

(2) При использовании кабелепровода с наружным диаметром в 3/4" или меньше, сделайте вырез во втулке и вставьте кабелепровод примерно на 100 мм в ответвительную коробку.

* Установите на место горизонтальную крышку после закрепления кабелепровода.

⚠ Осторожно:

Во избежание чрезмерного натяжения на ответвительной коробке установите одну или несколько опор для кабелепровода Б на расстоянии 1,5 м или менее от ответвительной коробки. См. рисунок 8-7 в качестве примера.

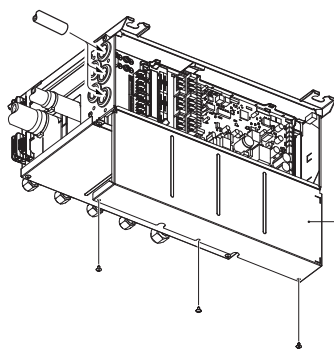


Fig. 8-5

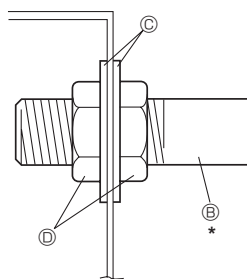


Fig. 8-6

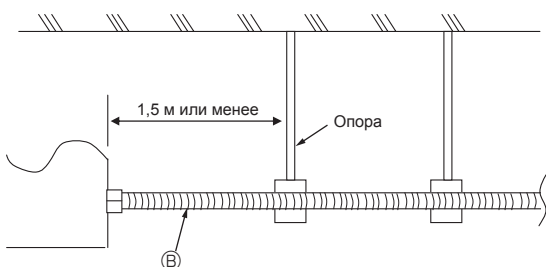


Fig. 8-7

8. Электрические работы

■ Подавайте питание отдельно на ответвительную коробку и наружный прибор

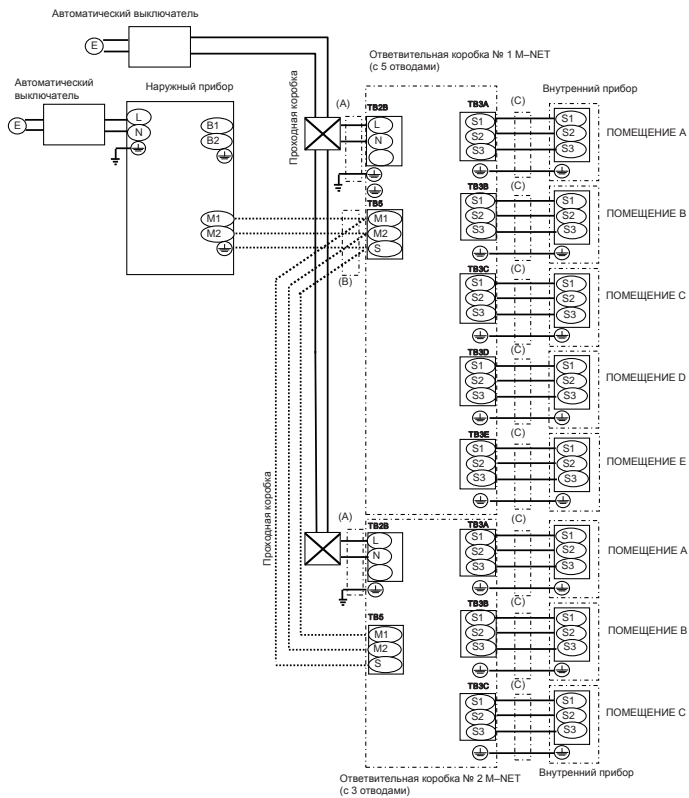
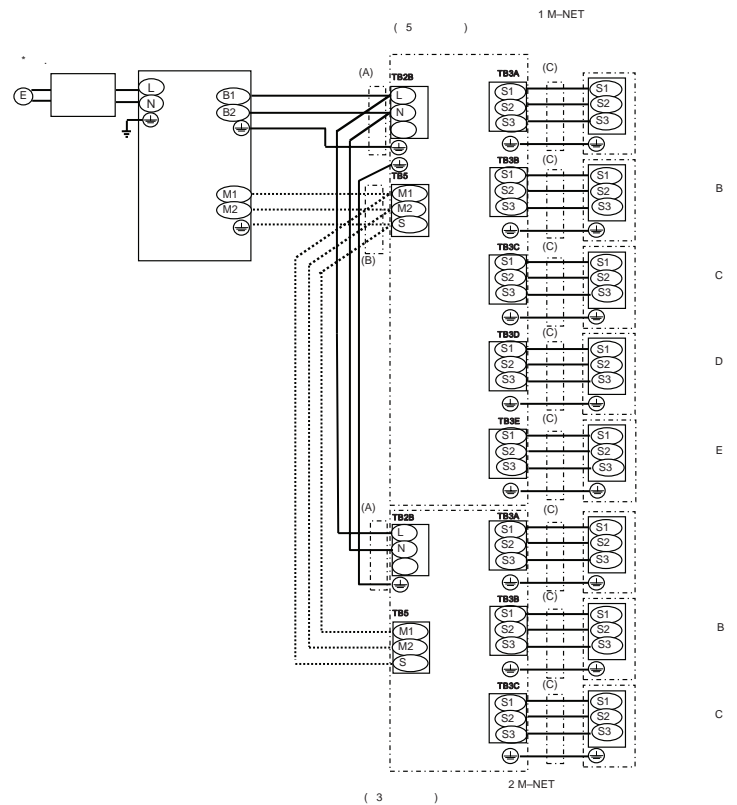


Fig. 8-8

8.2. Порядок монтажа наружной проводки (Fig. 8-8, Fig 8-9)

■ Подача питания от наружного прибора



ⓔ Электропитание: однофазное 220/230/240 В 50 Гц, 220 В 60 Гц

Примечание:

- Подсоедините линии (B), (C) в соответствии с наименованиями на клеммной колодке, чтобы обеспечить правильную полярность.
 - Что касается линий (C), то S1 и S2 используются для подсоединения к источнику питания.
- A S2 и S3 используются для сигналов. S2 является общим кабелем для источника питания и сигнала.

Диаметр провода		
(A) Линия электропитания/линия заземления	(B) Экранированный провод CVVS или CPEVS кабеля M-NET	(C) Линия сигнала/линия заземления
3-жильный 2,5 мм ²	2-жильный 1,25 мм ² менее 200 м	4-жильный 1,5 мм ² менее 25 м

Если для проводки используется скрученный многожильный провод, то необходимо использование круглого клеммного зажима.

- Примечания:
- Размер проводов должен подбираться с учетом применимых местных и национальных нормативов.
 - Кабели электропитания и соединительные провода внутреннего прибора/ответвительной коробки/наружного прибора не должны быть легче гибкого кабеля с полихлорпропеновой оболочкой. (Конструкция 60245 IEC 57)
 - Длина устанавливаемой линии заземления должна превышать длину силовых кабелей.
 - Не связывайте кабель M-NET в пучок вместе с соединительным кабелем и кабелем питания. Это может привести к неправильному функционированию.

⚠ Предупреждение:

Никогда не сращивайте кабель, так как это может вызвать задымление, возгорание или сбой связи.

Ответвительная коробка № 1 M-NET (с 5 отводами)

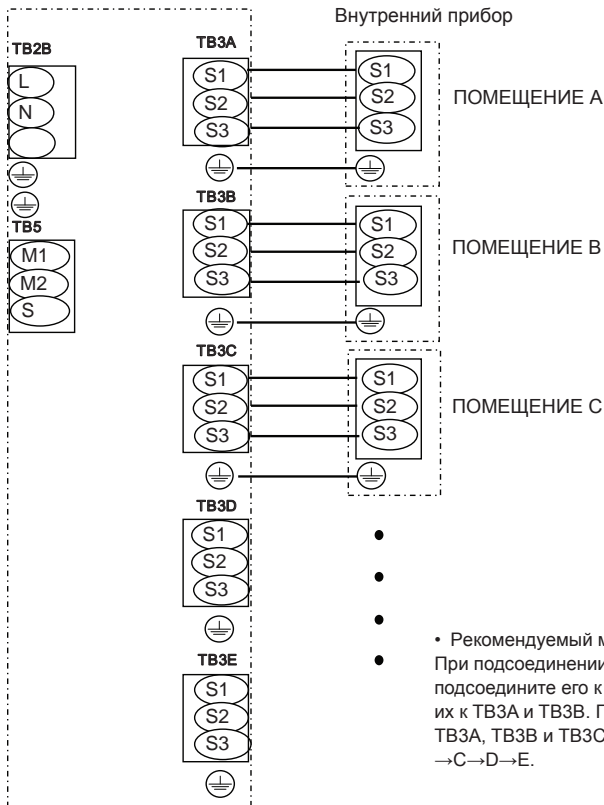


Fig. 8-9

8. Электрические работы

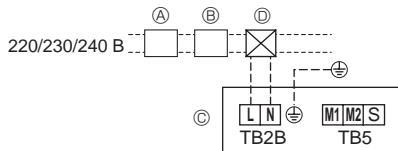


Fig. 8-10

■ Проводка питания (подавайте питание отдельно на ответвительную коробку и наружный прибор)

- Сделайте линию заземления длиннее, чем другие кабели.
- Шнуры питания устройств должны отвечать по меньшей мере требованиям 245IEC57 или 227IEC57, 245 IEC 53 или 227 IEC 53.
- При установке кондиционера используйте выключатель с расстоянием между контактами по меньшей мере 3 мм, 1/8 дюйма для каждого полюса.

[Fig. 8-10]

- Ⓐ Прерыватель замыкания на землю
- Ⓑ Вводной выключатель/автоматический выключатель
- Ⓒ Ответвительная коробка
- Ⓓ Проходная коробка

Полный рабочий ток внутреннего прибора	Минимальная толщина провода (мм ² /AWG)					Автоматический выключатель (без плавкого предохранителя)	Прерыватель замыкания на землю *1
	Магистральный кабель	Отвод	Заземление	Мощность	Плавкий предохранитель		
F0 = 15А или менее *2	2,1/14	2,1/14	2,1/14	15	15	15	15А Токовая чувствительность *3
F0 = 20А или менее *2	3,3/12	3,3/12	3,3/12	20	20	20	20А Токовая чувствительность *3
F0 = 30А или менее *2	5,3/10	5,3/10	5,3/10	30	30	30	30А Токовая чувствительность *3

Максимально допустимое полное сопротивление энергосистемы должно соответствовать IEC61000–3–3.

*1 Прерыватель замыкания на землю должен поддерживать инверторную схему.

Прерыватель замыкания на землю должен сочетать использование вводного выключателя или автоматического выключателя.

*2 В качестве величины для F0 возьмите большее значение F1 или F2.

F1 = Полный максимальный рабочий ток внутренних приборов × 1,2

F2 = (V1/C)

Подсоединить к ответвительной коробке (PAC-MK*BC)

Внутренний прибор	V1	V2
Тип 1 SEZ-KD*VA, PCA-RP*KAQ, PLA-ZRP*BA(.UK)	19,8	2,4
Тип 2 PEAD-RP*JAQ(L).UK	26,9	
Тип 3 MLZ-KA*VA, SLZ-KA*VAQ(L)3	9,9	
Тип 4 MSZ-FH*VE, MSZ-SF*VE, MSZ-EF*VE, MSZ-SF*VA	6,8	
Тип 5 MFZ-KJ*VE	7,4	
Тип 6 Branch box (PAC-MK*BC)	5,1	

Подсоединить к комплекту подключения (PAC-LV11M)

Внутренний прибор	V1	V2
Тип 1 MSY-EF*VE, MSY-GE*VA, MSY-GH, MSZ-GE*VA, MSZ-SF*VA, MSZ-SF*VE, MSZ-EF*VE, MSZ-FH*VE	6,8	2,4
Тип 2 MFZ-KJ*VE	7,4	
Тип 3 Connection kit (PAC-LV11M)	3,5	

Внутренний прибор	V1	V2
Тип 1 PMFY-VBM, PLFY-VBM, PEFY-VMS1, PCFY-VKM, PKFY-VHM, PKFY-VKM, PFFY-VLRMM, PFFY-VKM	19,8	2,4
Тип 2 PLFY-VCM	9,9	
Тип 4 PKFY-VBM	3,5	
Тип 5 PEFY-VMA	38,0	1,6
Тип 6 PLFY-VLMD, PEFY-VMH, PEFY-VMR, PDFY-VM, PFFY-VLEM, PFFY-VLRM	0	0

C : Кратное число тока отключения при времени отключения 0,01 с

Возьмите "C" из характеристики срабатывания автоматического выключателя.

*При условии: ответвительная коробка × 2 + SEZ-KD*VA × 5, C=8 (см. справа типовую диаграмму)

F2 = 5,1 × 2/8 + 19,8 × 5/8

= 14,9

→ автоматический выключатель 16 А (ток отключения = 8 × 16 А при 0,01 с)

*3 Токовая чувствительность рассчитывается с использованием следующей формулы.

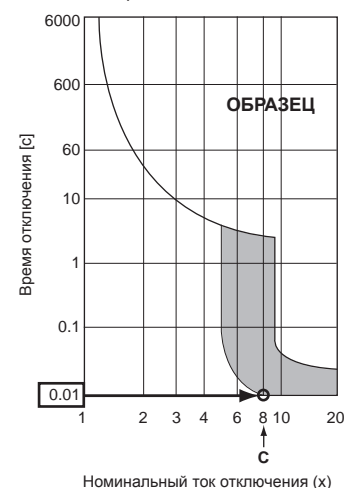
G1 = V2 + V3 × (длина провода[км])

G1	Токовая чувствительность
30 или менее	30 мА 0,1 с или менее
100 или менее	100 мА 0,1 с или менее

Толщина провода (мм ² /AWG)	V3
2,1/14	48
3,3/12	56
5,3/10	66

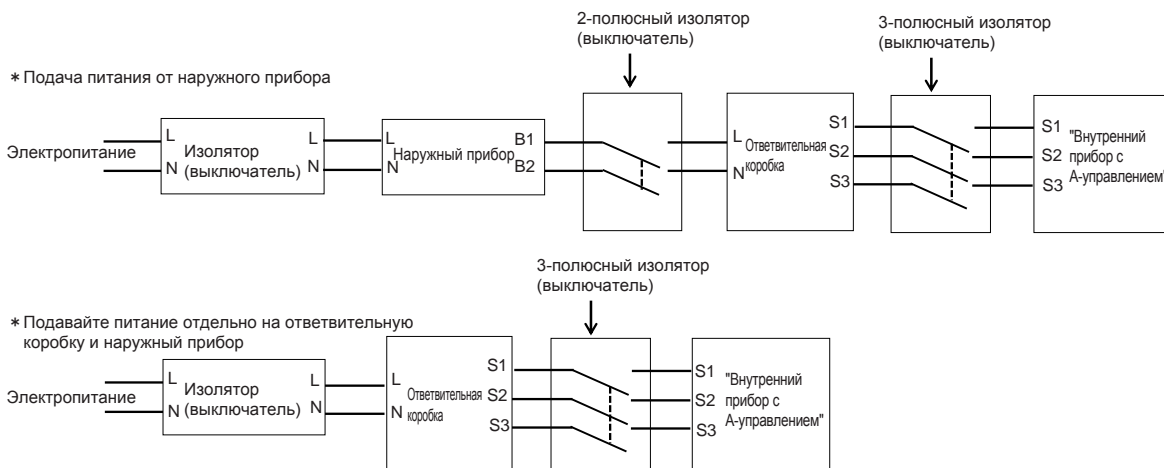
Внутренний прибор	V2
Внутренний прибор	2,4
Ответвительная коробка	3,0

Типовая диаграмма



⚠ Предупреждение:

В случае прокладки проводки А-управления на выводе S3 имеется высоковольтный потенциал, связанный с конструкцией электрической цепи, в которой отсутствует электрическая изоляция между силовой линией и линией сигнала связи. Поэтому при проведении сервисного обслуживания отключайте основное электропитание. А также не прикасайтесь к выводам S1, S2, S3, когда подается питание. Если необходимо использовать изолятор между наружным прибором и ответвительной коробкой/внутренним прибором и ответвительной коробкой, используйте изолятор 3-полюсного типа.



* Поддача питания от наружного прибора

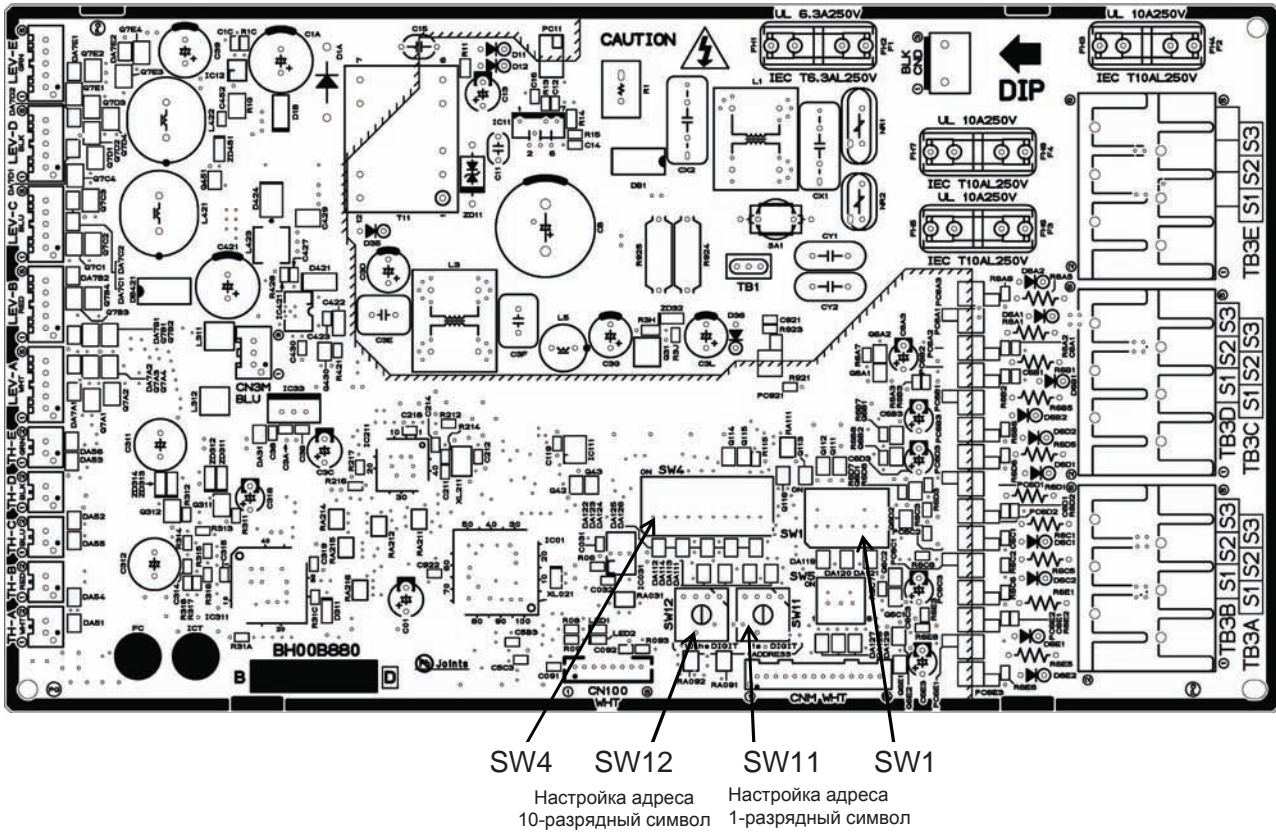
* Подавайте питание отдельно на ответвительную коробку и наружный прибор

⚠ Осторожно:

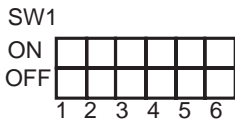
После использования изолятора обязательно отключите и включите основное электропитание, чтобы установить систему в исходное состояние. В противном случае наружный прибор может не распознать ответвительную коробку(и) или внутренние приборы.

8. Электрические работы

8.3. Настройка переключателей



Настройка двухпозиционного переключателя (действует только перед включением питания)



- Внутренний прибор А
- Внутренний прибор В
- Внутренний прибор С
- Внутренний прибор D
- Внутренний прибор E
- Неназначенный

Выключатель	OFF	ON
SW1-1	Нет	Да
SW1-2	Нет	Да
SW1-3	Нет	Да
SW1-4	Нет	Да
SW1-5	Нет	Да
SW1-6		

Переключатель адреса (действует только перед включением питания)

Настройка фактического адреса внутреннего прибора варьируется в различных системах.

Чтобы узнать подробную информацию о настройке адреса, см. инструкцию по установке наружного прибора. Каждый адрес задается комбинацией настроек для 10-разрядного и 1-разрядного символов.

(Пример)

- При настройке адреса на "3", установите 1-разрядный символ на 3, а 10-разрядный символ на 0.
- При настройке адреса на "25", установите 1-разрядный символ на 5, а 10-разрядный символ на 2.

(Пример)

- При настройке адреса ответственной коробки на "3", адрес назначается каждому внутреннему прибору, начиная с прибора А, как показано ниже, независимо от того, подсоединен ли каждый внутренний прибор или нет (SW1–1~5 ON).

Внутренний прибор А	Адрес 3
Внутренний прибор В	Адрес 4
Внутренний прибор С	Адрес 5
Внутренний прибор D	Адрес 6
Внутренний прибор E	Адрес 7

- Когда адрес настроен на "25" и подсоединены 3 внутренних прибора (прибор А, прибор С и прибор E). (SW1–1, 1–3, 1–5 ON)

Внутренний прибор А	Адрес 25
Внутренний прибор С	Адрес 26
Внутренний прибор E	Адрес 27

9. Выполнение испытания

- См. раздел "Выполнение испытания" в инструкции по установке внутренних приборов и наружного прибора.
- Когда источники питания ответвительной коробки и наружного прибора отдельные, сначала включите питание ответвительной коробки, а затем включите питание наружного прибора.
- **После подачи питания или после временного прекращения работы внутри ответвительной коробки можно услышать легкий щелчок. Электронный терморегулирующий вентиль открывается и закрывается. Прибор исправен.**
- Обязательно выполните пробный прогон в режиме охлаждения для каждого внутреннего прибора. Убедитесь, что каждый внутренний прибор работает надлежащим образом в соответствии с инструкцией по установке, прилагаемой к прибору.
- Если Вы выполняете пробный прогон одновременно для всех внутренних приборов, Вы не можете обнаружить какое-либо ошибочное подключение, если таковое имеется, труб хладагента и соединительных проводов внутреннего/наружного прибора.
- Чтобы обнаружить неправильную проводку, выполняйте пробный прогон для каждого внутреннего прибора отдельно.

⚠ Осторожно:

- Для управления внутренним прибором используйте пульт дистанционного управления.
- Следующие признаки не являются неисправностями.

Признак	Причина	Светодиодный дисплей внутреннего прибора *
Внутренний прибор не работает, даже если настроен на охлаждение (обогрев)	Охлаждение (обогрев) не могут осуществляться, когда идет процесс охлаждения (обогрева) другим внутренним прибором.	Режим ожидания (для мультисистемы)
Вентилятор внутреннего прибора прекращает работу во время обогрева	Вентилятор прекращает работу во время процесса размораживания.	-
	Вентилятор прекращает работу, когда включен режим сбора хладагента **	Режим ожидания (для мультисистемы)

* См. подробную информацию в инструкции по эксплуатации внутренних приборов.

** Этот режим включается приблизительно на 1 минуту, чтобы помочь избежать недостаточной подачи хладагента в ходе процесса обогрева, когда хладагент хранится во внутреннем приборе, который был отключен.

<ENGLISH>

English is original. The other languages versions are translation of the original.

⚠ CAUTION

- Refrigerant leakage may cause suffocation. Provide ventilation in accordance with EN378-1.
- Be sure to wrap insulation around the piping. Direct contact with the bare piping may result in burns or frostbite.
- Never put batteries in your mouth for any reason to avoid accidental ingestion.
- Battery ingestion may cause choking and/or poisoning.
- Install the unit on a rigid structure to prevent excessive operation sound or vibration.
- The A-weighted sound pressure level is below 70dB.
- This appliance is intended to be used by expert or trained users in shops, in light industry and on farms, or for commercial use by lay persons.

<DEUTSCH>

Das Original ist in Englisch. Die anderen Sprachversionen sind vom Original übersetzt.

⚠ VORSICHT

- Wenn Kältemittel austritt, kann dies zu Erstickungen führen. Sorgen Sie in Übereinstimmung mit EN378-1 für Durchlüftung.
- Die Leitungen müssen isoliert werden. Direkter Kontakt mit nicht isolierten Leitungen kann zu Verbrennungen oder Erfrierungen führen.
- Nehmen Sie niemals Batterien in den Mund, um ein versehentliches Verschlucken zu vermeiden.
- Durch das Verschlucken von Batterien kann es zu Erstickungen und/oder Vergiftungen kommen.
- Installieren Sie das Gerät auf einem stabilen Untergrund, um übermäßige Betriebsgeräusche oder -schwingungen zu vermeiden.
- Der A-gewichtete Schalldruckpegel ist niedriger als 70dB.
- Dieses Gerät ist vorgesehen für die Nutzung durch Fachleute oder geschultes Personal in Werkstätten, in der Leichtindustrie und in landwirtschaftlichen Betrieben oder für die kommerzielle Nutzung durch Laien.

<FRANÇAIS>

L'anglais est l'original. Les versions fournies dans d'autres langues sont des traductions de l'original.

⚠ PRECAUTION

- Une fuite de réfrigérant peut entraîner une asphyxie. Fournissez une ventilation adéquate en accord avec la norme EN378-1.
- Assurez-vous que la tuyauterie est enveloppée d'isolant. Un contact direct avec la tuyauterie nue peut entraîner des brûlures ou des engelures.
- Ne mettez jamais des piles dans la bouche pour quelque raison que ce soit pour éviter de les avaler par accident.
- Le fait d'ingérer des piles peut entraîner un étouffement et/ou un empoisonnement.
- Installez l'appareil sur une structure rigide pour prévenir un bruit de fonctionnement et une vibration excessifs.
- Le niveau de pression acoustique pondéré est en dessous de 70 dB.
- Cet appareil est conçu pour un utilisateur expert ou les utilisateurs formés en magasin, dans l'industrie légère et dans l'agriculture ou dans le commerce par le profane.

<NEDERLANDS>

Het Engels is het origineel. De andere taalversies zijn vertalingen van het origineel.

⚠ VOORZICHTIG

- Het lekken van koelvloeistof kan verstikking veroorzaken. Zorg voor ventilatie in overeenstemming met EN378-1.
- Isoleer de leidingen met isolatiemateriaal. Direct contact met de onbedekte leidingen kan leiden tot brandwonden of bevriezing.
- Stop nooit batterijen in uw mond om inslikking te voorkomen.
- Het inslikken van batterijen kan verstikking of vergiftiging veroorzaken.
- Installeer het apparaat op een stabiele structuur om overmatig lawaai of trillingen te voorkomen.
- Het niveau van de geluidsdruk ligt onder 70 dB(A).
- Dit apparaat is bedoeld voor gebruik door ervaren of opgeleide gebruikers in werkplaatsen, in de lichte industrie en op boerderijen, of voor commercieel gebruik door leken.

<ESPAÑOL>

El idioma original del documento es el inglés. Las versiones en los demás idiomas son traducciones del original.

⚠ CUIDADO

- Las pérdidas de refrigerante pueden causar asfixia. Se debe proporcionar la ventilación determinada en EN378-1.
- Asegúrese de colocar el aislante alrededor de las tuberías. El contacto directo con la tubería puede ocasionar quemaduras o congelación.
- Para evitar una ingestión accidental, no coloque las pilas en su boca bajo ningún concepto.
- La ingestión de las pilas puede causar asfixia y/o envenenamiento.
- Coloque la unidad en una estructura rígida para evitar que se produzcan sonidos o vibraciones excesivos debidos a su funcionamiento.
- El nivel de presión acústica ponderado A es inferior a 70 dB.
- Este aparato está destinado a su uso por parte de usuarios expertos o capacitados en talleres, industrias ligeras y granjas, o a su uso comercial por parte de personas no expertas.

<ITALIANO>

Il testo originale è redatto in lingua Inglese. Le altre versioni linguistiche rappresentano traduzioni dell'originale.

⚠ ATTENZIONE

- Le perdite di refrigerante possono causare asfissia. Prevedere una ventilazione adeguata in conformità con la norma EN378-1.
- Accertarsi di applicare materiale isolante intorno alle tubature. Il contatto diretto con le tubature non schermate può provocare ustioni o congelamento.
- Non introdurre in nessun caso le batterie in bocca onde evitare ingestioni accidentali.
- L'ingestione delle batterie può provocare soffocamento e/o avvelenamento.
- Installare l'unità su una struttura rigida in modo da evitare rumore o vibrazioni eccessivi durante il funzionamento.
- Il livello di pressione del suono ponderato A è inferiore a 70dB.
- Questa apparecchiatura è destinata all'utilizzo da parte di utenti esperti o addestrati in negozi, industria leggera o fattorie oppure a un uso commerciale da parte di persone non esperte.

<ΕΛΛΗΝΙΚΑ>

Η γλώσσα του πρωτοτύπου είναι η αγγλική. Οι εκδόσεις άλλων γλωσσών είναι μεταφράσεις του πρωτοτύπου.

⚠ ΠΡΟΣΟΧΗ

- Η διαρροή του ψυκτικού ενδέχεται να προκαλέσει ασφυξία. Φροντίστε για τον εξαερισμό σύμφωνα με το πρότυπο EN378-1.
- Φροντίστε να τυλίξετε με μονωτικό υλικό τη σωλήνωση. Η απευθείας επαφή με τη γυμνή σωλήνωση ενδέχεται να προκαλέσει εγκαύματα ή κρουπαγήματα.
- Μη βάζετε ποτέ τις μπαταρίες στο στόμα σας για κανένα λόγο ώστε να αποφύγετε την κατά λάθος κατάποσή τους.
- Η κατάποση μπαταριών μπορεί να προκαλέσει πνιγμό ή/και δηλητηρίαση.
- Εγκαταστήστε τη μονάδα σε σταθερή κατασκευή ώστε να αποφεύγετε τον έντονο ήχο λειτουργίας ή τους κραδασμούς.
- Η Α-σταθμισμένη στάθμη ηχητικής πίεσης είναι κάτω των 70dB.
- Η συσκευή αυτή προορίζεται για χρήση από έμπειρους ή εκπαιδευμένους χρήστες σε καταστήματα, στην ελαφριά βιομηχανία και σε αγροκτήματα, ή για εμπορική χρήση από άτομα τα οποία δεν είναι ειδήμονες.

<PORTUGUÊS>

O idioma original é o inglês. As versões em outros idiomas são traduções do idioma original.

⚠ CUIDADO

- A fuga de refrigerante pode causar asfixia. Garanta a ventilação em conformidade com a norma EN378-1.
- Certifique-se de que envolve as tubagens com material de isolamento. O contacto directo com tubagens não isoladas pode resultar em queimaduras ou ulcerações provocadas pelo frio.
- Nunca coloque pilhas na boca, por nenhum motivo, para evitar a ingestão accidental.
- A ingestão de uma pilha pode causar obstrução das vias respiratórias e/ou envenenamento.
- Instale a unidade numa estrutura robusta, de forma a evitar ruídos ou vibrações excessivos durante o funcionamento.
- O nível de pressão sonora ponderado A é inferior a 70 dB.
- Este equipamento destina-se a ser utilizado por especialistas ou utilizadores com formação em lojas, na indústria ligeira e em quintas, ou para utilização comercial por leigos.

<DANSK>

Engelsk er originalen. De andre sprogversioner er oversættelser af originalen.

⚠ FORSIGTIG

- Lækage af kølemiddel kan forårsage kvælning. Sørg for udluftning i overensstemmelse med EN378-1.
- Sørg for at pakke rørene ind i isolering. Direkte kontakt med ubeklædte rør kan forårsage forbrændinger eller forfrysninger.
- Batterier må under ingen omstændigheder tages i munden for at forhindre utilsigtet indtagelse.
- Indtagelse af batterier kan forårsage kvælning og/eller forgiftning.
- Installer enheden på en fast struktur for at forhindre for høje driftslyde eller vibrationer.
- Det A-vægtede lydtrykniveau er under 70dB.
- Dette apparat er beregnet til at blive brugt af eksperter eller udlærte brugere i butikker, inden for let industri og på gårde eller til kommerciel anvendelse af lægmænd.

<SVENSKA>

Engelska är originalspråket. De övriga språkversionerna är översättningar av originalet.

⚠ FÖRSIKTIGHET

- Köldmedelsläckage kan leda till kvävning. Tillhandahåll ventilation i enlighet med EN378-1.
- Kom ihåg att linda isolering runt rören. Direktkontakt med bara rör kan leda till brännskador eller köldskador.
- Stoppa aldrig batterier i munnen, de kan sväljas av misstag.
- Om ett batteri sväljs kan det leda till kvävning och/eller förgiftning.
- Montera enheten på ett stadigt underlag för att förhindra höga driftljud och vibrationer.
- Den A-vägdga ljudtrycksnivån är under 70dB.
- Denna apparat är ämnad för användning av experter eller utbildade användare i affärer, inom lätt industri och på lantbruk, eller för kommersiell användning av lekmän.

<TÜRKÇE>

Aşlı İngilizce'dir. Diğer dillerdeki sürümler aslının çevirisidir.

⚠ DİKKAT

- Soğutucu kaçağı boğulmaya neden olabilir. EN378-1 uyarınca uygun havalandırma sağlayın.
- Borular etrafına yalıtım yapıldığından emin olun. Borulara doğrudan çıplak elle dokunulması yanıklara veya soğuk ısırıklarına neden olabilir.
- Kazara yutmamak için, pilleri kesinlikle hiçbir amaçla ağzınızda tutmayın.
- Pillerin yutulması boğulmaya ve/veya zehirlenmeye yol açabilir.
- Ağır çalışma seslerini veya titreşimi önlemek için, üniteyi sağlam bir yapı üzerine monte edin.
- A ağırlıklı ses gücü seviyesi 70dB'nin altındadır.
- Bu cihaz atölyelerde, hafif endüstriyel tesislerde ve çiftliklerde uzman veya eğitimli kullanıcılar tarafından kullanılmak üzere veya normal kullanıcılar tarafından ticari kullanım için tasarlanmıştır.

<РУССКИЙ>

Языком оригинала является английский. Версии на других языках являются переводом оригинала.

⚠ ОСТОРОЖНО

- Утечка хладагента может стать причиной удушья. Обеспечьте вентиляцию в соответствии с EN378-1.
- Обязательно оберните трубы изоляционной обмоткой. Непосредственный контакт с неизолированным трубопроводом может привести к ожогам или обморожению.
- Запрещается класть элементы питания в рот по каким бы то ни было причинам во избежание случайного проглатывания.
- Попадание элемента питания в пищеварительную систему может стать причиной удушья или отравления.
- Устанавливайте устройство на жесткую структуру во избежание чрезмерного шума или чрезмерной вибрации во время работы.
- Уровень звукового давления по шкале A составляет менее 70 дБ.
- Данное устройство предназначено для использования специалистами или обученным персоналом в магазинах, на предприятиях легкой промышленности и фермах или для коммерческого применения непрофессионалами.

This product is designed and intended for use in the residential,
commercial and light-industrial environment.

The product at hand is based on the following EU regulations:

- Low Voltage Directive 2006 / 95 / EC
- Electromagnetic Compatibility Directive 2004 /108 / EC

Please be sure to put the contact address/telephone number on
this manual before handing it to the customer.

