

SERVICE PARTS LIST FOR MITSUBISHI ELECTRIC PACKAGED AIR-CONDITIONERS

Series : PUHY-EP•Y(S)LM-A(-BS)

For use with the R410A

Nov. 2014
BWE014100

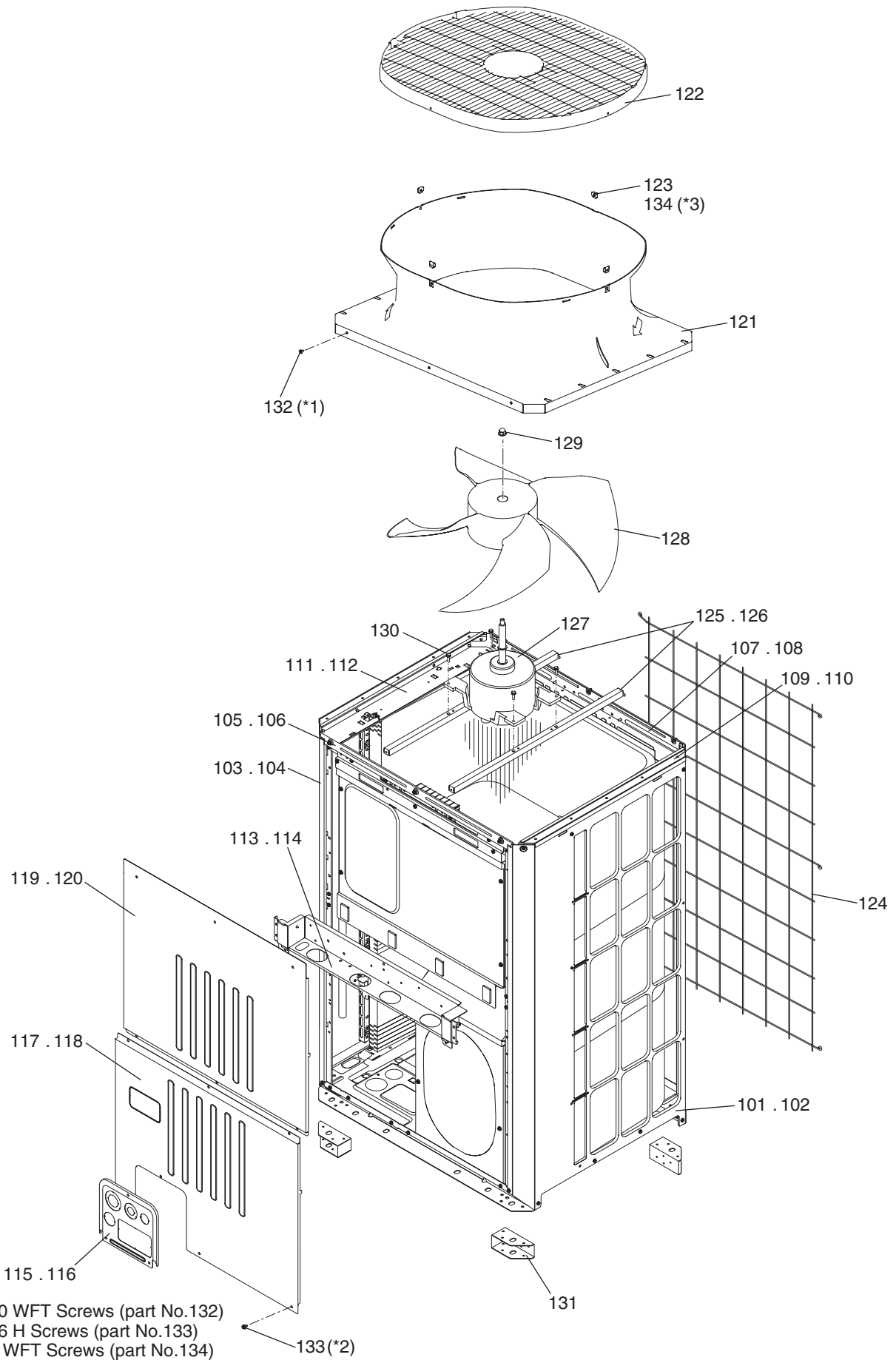
INDEX

PUHY-EP200YLM-A
PUHY-EP200YLM-A-BS
PUHY-EP250YLM-A
PUHY-EP250YLM-A-BS
PUHY-EP300YLM-A
PUHY-EP300YLM-A-BS
PUHY-EP350YLM-A
PUHY-EP350YLM-A-BS
PUHY-EP400YLM-A
PUHY-EP400YLM-A-BS
PUHY-EP450YLM-A
PUHY-EP450YLM-A-BS
PUHY-EP500YLM-A
PUHY-EP500YLM-A-BS

Refer to the next page for the package names.

The Package name list

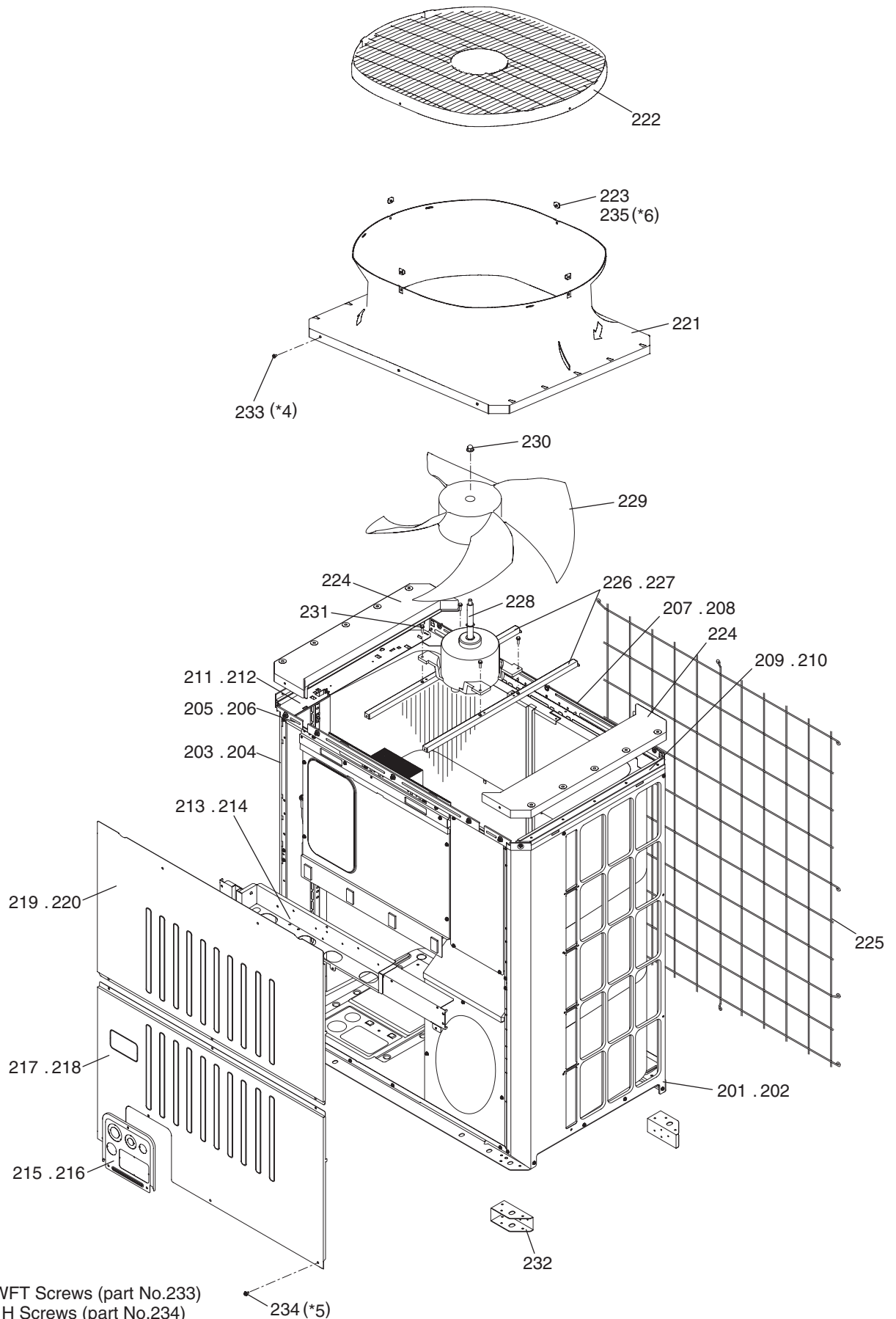
PUHY-EP500YSLM-A(-BS)	[PUHY-EP250YLM-A(-BS) + PUHY-EP250YLM-A(-BS)]
PUHY-EP550YSLM-A(-BS)	[PUHY-EP250YLM-A(-BS) + PUHY-EP300YLM-A(-BS)]
PUHY-EP600YSLM-A(-BS)	[PUHY-EP300YLM-A(-BS) + PUHY-EP300YLM-A(-BS)]
PUHY-EP650YSLM-A(-BS)	[PUHY-EP200YLM-A(-BS) + PUHY-EP200YLM-A(-BS) + PUHY-EP250YLM-A(-BS)]
PUHY-EP700YSLM-A(-BS)	[PUHY-EP200YLM-A(-BS) + PUHY-EP200YLM-A(-BS) + PUHY-EP300YLM-A(-BS)]
PUHY-EP750YSLM-A(-BS)	[PUHY-EP200YLM-A(-BS) + PUHY-EP250YLM-A(-BS) + PUHY-EP300YLM-A(-BS)]
PUHY-EP800YSLM-A(-BS)	[PUHY-EP200YLM-A(-BS) + PUHY-EP300YLM-A(-BS) + PUHY-EP300YLM-A(-BS)]
PUHY-EP850YSLM-A(-BS)	[PUHY-EP250YLM-A(-BS) + PUHY-EP300YLM-A(-BS) + PUHY-EP300YLM-A(-BS)]
PUHY-EP900YSLM-A(-BS)	[PUHY-EP300YLM-A(-BS) + PUHY-EP300YLM-A(-BS) + PUHY-EP300YLM-A(-BS)]



**PUHY-EP200YLM-A(-BS)
PUHY-EP250YLM-A(-BS)**

EXTERNAL PARTS & BLOWER PARTS (1)

No.	Part No.	G : RoHS Apply Only W : RoHS Apply by Running Change		Spec.	PUHY-EP200YLM-A	PUHY-EP200YLM-A-BS	PUHY-EP250YLM-A	PUHY-EP250YLM-A-BS		Dwg. No.	Notes for the models	Revision info.
		Part Name										
101	R63 052 652	G	Panel R		1		1			KB02A370G05		
102	R63 053 652	G	Panel R	BS		1		1		KB02A370G06		
103	R63 050 652	G	Panel L		1		1			KB02A369G07		
104	R63 051 652	G	Panel L	BS		1		1		KB02A369G08		
105	R61 001 161	G	Frame F		1		1			KD02G738H02		
106	R61 005 161	G	Frame F	BS		1		1		KD02G738G07		
107	R61 014 160	G	Frame assy B		1		1			KJ00L534G01		
108	R61 015 160	G	Frame assy B	BS		1		1		KJ00L534G02		
109	R61 105 162	G	Frame assy LR		1		1			KJ00L538G01		
110	R61 106 162	G	Frame assy LR	BS		1		1		KJ00L538G02		
111	R61 016 160	G	Frame assy L		1		1			KJ00L537G01		
112	R61 017 160	G	Frame assy L	BS		1		1		KJ00L537G02		
113	R63 077 162	G	Frame assy M		1		1			KD00L159G07		
114	R63 080 162	G	Frame assy M	BS		1		1		KD00L159G08		
115	R61 095 690	G	Piping cover		1		1			KB02L001G07		
116	R61 094 690	G	Piping cover	BS		1		1		KB02L001G08		
117	R61 208 651	G	Panel FB		1		1			KB02J835H06		
118	R61 209 651	G	Panel FB	BS		1		1		KB02J835G10		
119	R61 177 651	G	Panel FU		1		1			KB02J839H01		
120	R61 178 651	G	Panel FU	BS		1		1		KB02J839G02		
121	R61 004 119	G	Bell mouth		1	1	1	1		KB25A368H03		
122	R11 003 009	G	Fan guard		1	1	1	1		KB25V019H01		
123	R61 009 669	G	Plate fan guard		4	4	4	4		KD02D205H02		
124	R63 008 611	G	Fin guard B		1	1	1	1		KB07N273G01		
125	R61 016 140	G	Base fan		2		2			KD02D026H01		
126	R61 017 140	G	Base fan	BS		2		2		KD02D026G04		
127	R61 167 220	G	Motor	L-920-B4-1 Y AC380-400-920W	1	1	1	1		P780225X02		
128	R63 4H6 300	G	Fan		1	1	1	1		KB25A009H04		
129	R63 4H6 122	G	Box nut	M12 CH	1	1	1	1		P552000X01		
130	R61 028 087	G	Upset screw	M6 x 22	4	4	4	4		P516049X01		
131	R61 016 130	G	Attachment leg		4	4	4	4		KD02T773G01		
132	R63 006 087	G	WFT screw	M5 x 12 (30pcs)	2	2	2	2		KB00H418G01	*1	
133	R63 007 087	G	H screw	M5 x 10 KNURLED (30pcs)	4	4	4	4		KB00H418G14	*2	
134	R63 029 087	G	WFT screw	M5 x 16 (10pcs)	1	1	1	1		KD00H026G01	*3	

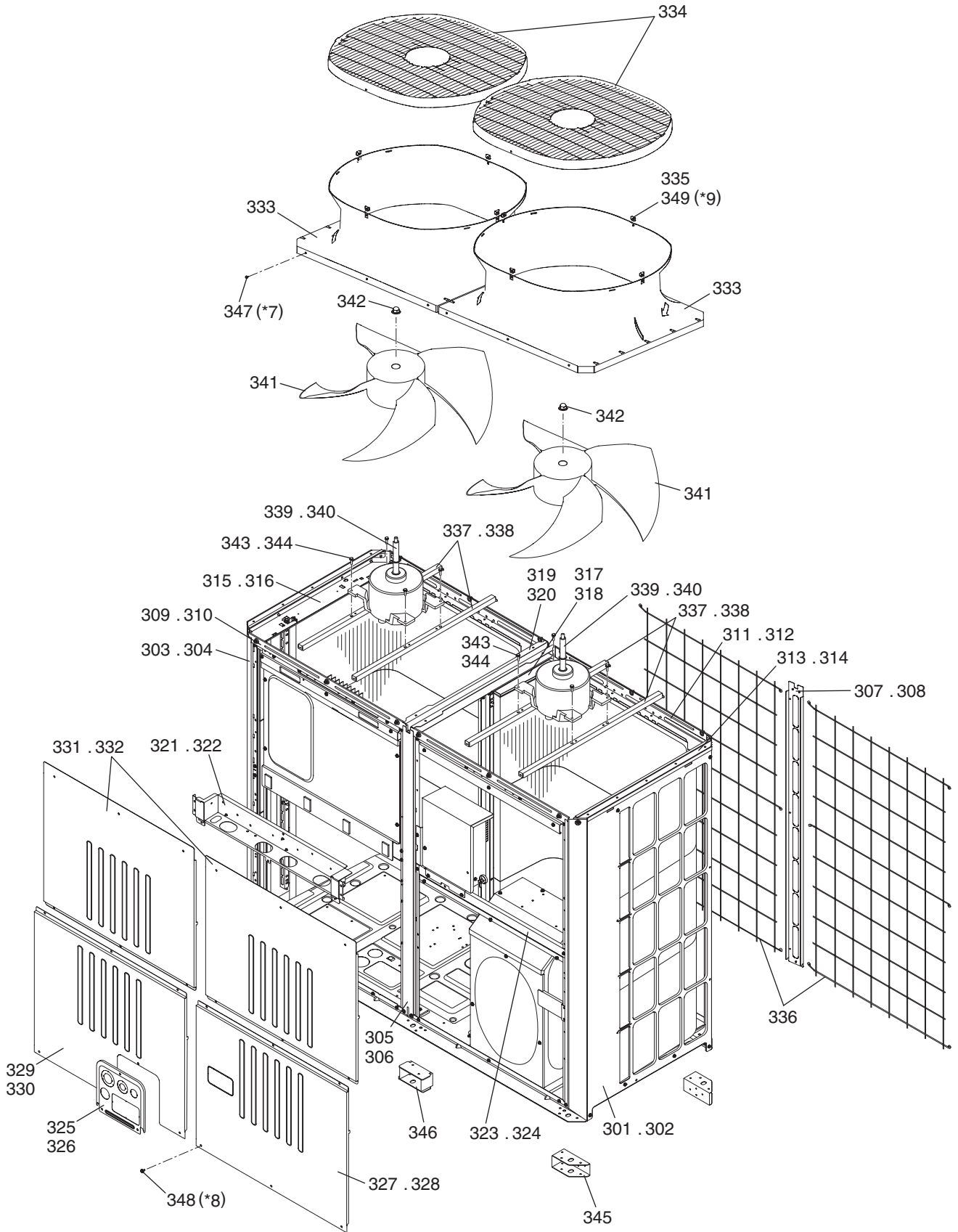


- *4 38 WFT Screws (part No.233)
- *5 100 H Screws (part No.234)
- *6 4 WFT Screws (part No.235)

No.	Part No.	G : RoHS Apply Only W : RoHS Apply by Running Change	Part Name	Spec.	PUHY-EP300YLM-A	PUHY-EP300YLM-A-BS	PUHY-EP350YLM-A	PUHY-EP350YLM-A-BS	Dwg. No.	Notes for the models	Revision info.
201	R63 052 652	G	Panel R		1	1			KB02A370G05		
202	R63 053 652	G	Panel R	BS		1	1		KB02A370G06		
203	R63 050 652	G	Panel L		1	1			KB02A369G07		
204	R63 051 652	G	Panel L	BS		1	1		KB02A369G08		
205	R61 003 161	G	Frame F		1	1			KD02G739H02		
206	R61 006 161	G	Frame F	BS		1	1		KD02G739G07		
207	R61 018 160	G	Frame assy B		1	1			KJ00L535G01		
208	R61 019 160	G	Frame assy B	BS		1	1		KJ00L535G02		
209	R61 105 162	G	Frame assy LR		1	1			KJ00L538G01		
210	R61 106 162	G	Frame assy LR	BS		1	1		KJ00L538G02		
211	R61 016 160	G	Frame assy L		1	1			KJ00L537G01		
212	R61 017 160	G	Frame assy L	BS		1	1		KJ00L537G02		
213	R61 083 162	G	Frame assy M		1	1			KD00L235G04		
214	R61 084 162	G	Frame assy M	BS		1	1		KD00L235G05		
215	R61 095 690	G	Piping cover		1	1			KB02L001G07		
216	R61 094 690	G	Piping cover	BS		1	1		KB02L001G08		
217	R61 210 651	G	Panel FB		1	1			KB02J836H03		
218	R61 211 651	G	Panel FB	BS		1	1		KB02J836G05		
219	R61 185 651	G	Panel FU		1	1			KB02J840H01		
220	R61 186 651	G	Panel FU	BS		1	1		KB02J840G02		
221	R61 004 119	G	Bell mouth		1	1	1	1	KB25A368H03		
222	R11 003 009	G	Fan guard		1	1	1	1	KB25V019H01		
223	R61 009 669	G	Plate fan guard		4	4	4	4	KD02D205H02		
224	R61 008 118	G	Fan guard cover		2	2	2	2	KB25J827H03		
225	R61 009 611	G	Fin guard B		1	1	1	1	KB07N274G01		
226	R61 016 140	G	Base fan		2	2			KD02D026H01		
227	R61 017 140	G	Base fan	BS		2	2		KD02D026G04		
228	R61 167 220	G	Motor	L-920-B4-1 Y AC380-400-920W	1	1	1	1	P780225X02		
229	R63 4H6 300	G	Fan		1	1	1	1	KB25A009H04		
230	R63 4H6 122	G	Box nut	M12 CH	1	1	1	1	P552000X01		
231	R61 028 087	G	Upset screw	M6 x 22	4	4	4	4	P516049X01		
232	R61 016 130	G	Attachment leg		4	4	4	4	KD02T773G01		
233	R63 006 087	G	WFT Screw	M5 x 12 (30pcs)	2	2	2	2	KB00H418G01	*4	
234	R63 007 087	G	H Screw	M5 x 10 KNURLED (30pcs)	4	4	4	4	KB00H418G14	*5	
235	R63 029 087	G	WFT Screw	M5 x 16 (10pcs)	1	1	1	1	KD00H026G01	*6	

PUHY-EP400YLM-A(-BS)
 PUHY-EP450YLM-A(-BS)
 PUHY-EP500YLM-A(-BS)

EXTERNAL PARTS & BLOWER PARTS (3)



*7 52 WFT Screws (part No.347)

*8 146 H Screws (part No.348)

*9 8 WFT Screws (part No.349)

PUHY-EP400YLM-A(-BS)
 PUHY-EP450YLM-A(-BS)
 PUHY-EP500YLM-A(-BS)

EXTERNAL PARTS & BLOWER PARTS (3)

No.	Part No.	G : RoHS Apply Only W : RoHS Apply by Running Change	Part Name	Spec.	PUHY-EP400YLM-A	PUHY-EP400YLM-A-BS	PUHY-EP450YLM-A	PUHY-EP450YLM-A-BS	PUHY-EP500YLM-A	PUHY-EP500YLM-A-BS	Dwg. No.	Notes for the models	Revision info.
301	R63 052 652	G	Panel R		1		1		1		KB02A370G05		
302	R63 053 652	G	Panel R	BS		1		1		1	KB02A370G06		
303	R63 050 652	G	Panel L		1		1		1		KB02A369G07		
304	R63 051 652	G	Panel L	BS		1		1		1	KB02A369G08		
305	R61 022 626	G	Pillar assy MF		1		1		1		KD00R845G09		
306	R61 023 626	G	Pillar assy MF	BS		1		1		1	KD00R845G10		
307	R61 030 626	G	Pillar assy MB		1		1		1		KD02M109G01		
308	R61 031 626	G	Pillar assy MB	BS		1		1		1	KD02M109G02		
309	R61 061 162	G	Frame assy F		1		1		1		KD00L182G03		
310	R61 094 162	G	Frame assy F	BS		1		1		1	KD00L182G07		
311	R61 020 160	G	Frame assy B		1		1		1		KJ00L536G01		
312	R61 021 160	G	Frame assy B	BS		1		1		1	KJ00L536G02		
313	R61 105 162	G	Frame assy LR		1		1		1		KJ00L538G01		
314	R61 106 162	G	Frame assy LR	BS		1		1		1	KJ00L538G02		
315	R61 016 160	G	Frame assy L		1		1		1		KJ00L537G01		
316	R61 017 160	G	Frame assy L	BS		1		1		1	KJ00L537G02		
317	R61 014 499	G	Plate HEX assy		1		1		1		KJ00L539G01		
318	R61 015 499	G	Plate HEX assy	BS		1		1		1	KJ00L539G02		
319	R61 072 162	G	Frame MT		1		1		1		KB02J833H01		
320	R61 073 162	G	Frame MT	BS		1		1		1	KB02J833G01		
321	R63 087 162	G	Frame assy M		1		1		1		KD00L159G09		
322	R63 088 162	G	Frame assy M	BS		1		1		1	KD00L159G10		
323	R61 058 162	G	Frame MR		1		1		1		KD02G743H04		
324	R61 059 162	G	Frame MR	BS		1		1		1	KD02G743G02		
325	R61 095 690	G	Piping cover		1		1		1		KB02L001G07		
326	R61 094 690	G	Piping cover	BS		1		1		1	KB02L001G08		
327	R61 212 651	G	Panel FBR		1		1		1		KB02J838H04		
328	R61 213 651	G	Panel FBR	BS		1		1		1	KB02J838G06		
329	R61 182 651	G	Panel FBL		1		1		1		KB02J837H02		
330	R61 183 651	G	Panel FBL	BS		1		1		1	KB02J837G04		
331	R61 177 651	G	Panel FU		2		2		2		KB02J839H01		
332	R61 178 651	G	Panel FU	BS		2		2		2	KB02J839G02		
333	R61 005 119	G	Bell mouth		2	2	2	2	2	2	KB25A367H03		
334	R11 003 009	G	Fan guard		2	2	2	2	2	2	KB25V019H01		
335	R61 009 669	G	Plate Fan guard		8	8	8	8	8	8	KD02D205H02		
336	R61 010 611	G	Fin guard B		2	2	2	2	2	2	KB07N272G01		
337	R61 016 140	G	Base fan		4		4		4		KD02D026H01		
338	R61 017 140	G	Base fan	BS		4		4		4	KD02D026G04		
339	R61 167 220	G	Motor	L-920-B4-1 Y AC380-400-920W	2	2	2	2			P780225X02		
340	R61 204 220	G	Motor						2	2	KB61A639G02	In-house produced motor	
341	R63 4H6 300	G	Fan		2	2	2	2	2	2	KB25A009H04		
342	R63 4H6 122	G	Box nut	M12 CH	2	2	2	2	2	2	P552000X01		
343	R61 028 087	G	Upset Screw	M6 x 22	8	8	8	8			P516049X01		
344	R63 014 087	G	Upset Screw	M6 x 10					8	8	P516047X01		
345	R61 016 130	G	Attachment leg		4	4	4	4	4	4	KD02T773G01		

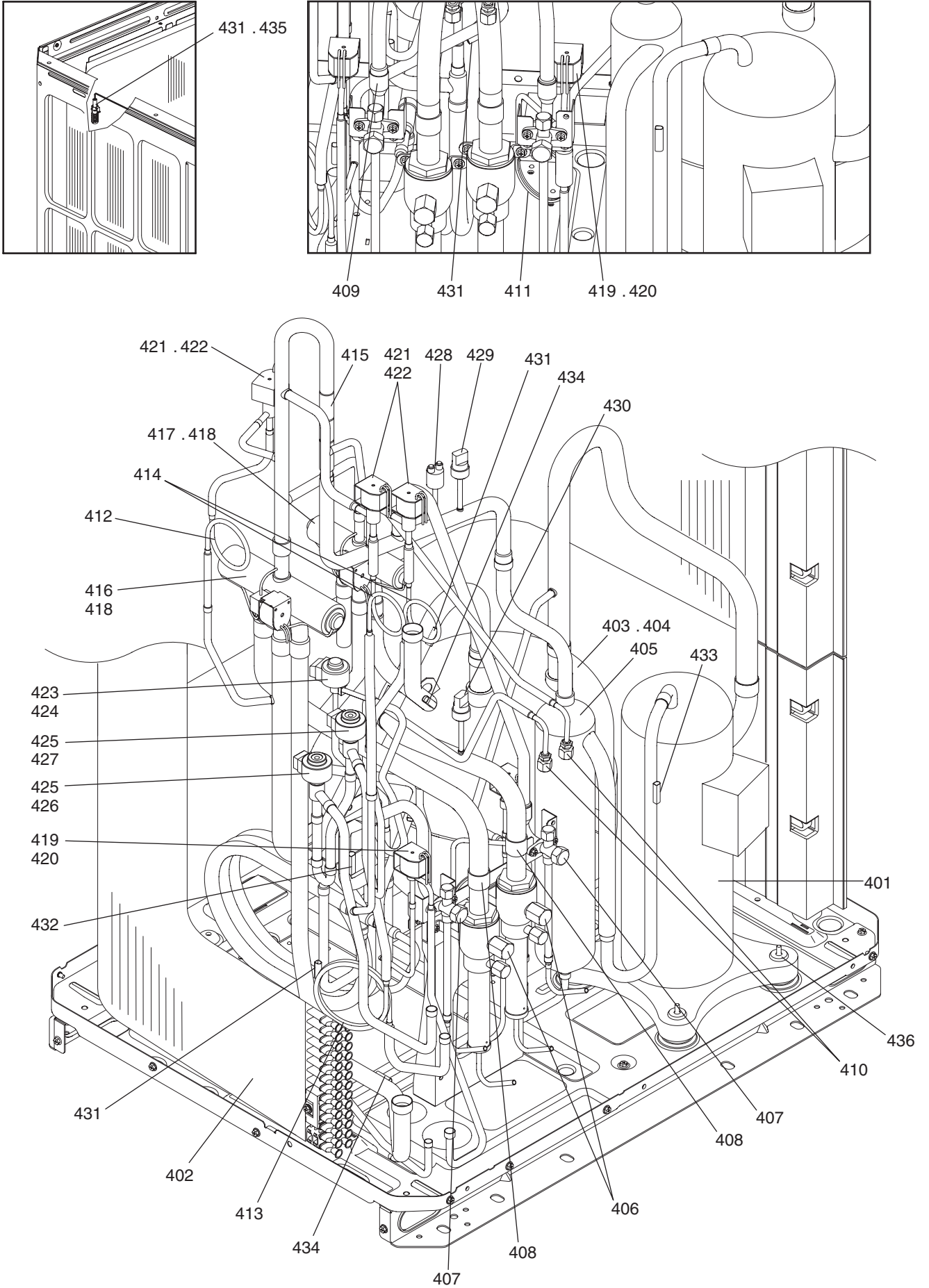
PUHY-EP400YLM-A(-BS)
PUHY-EP450YLM-A(-BS)
PUHY-EP500YLM-A(-BS)

EXTERNAL PARTS & BLOWER PARTS (3)

No.	Part No.	G : RoHS Apply Only W : RoHS Apply by Running Change		Spec.	PUHY-EP400YLM-A	PUHY-EP450YLM-A	PUHY-EP450YLM-A	PUHY-EP450YLM-A	PUHY-EP500YLM-A	PUHY-EP500YLM-A	Dwg. No.	Notes for the models	Revision info.
			Part Name										
346	R61 025 130	G	Attachment leg	XL	2	2	2	2	2	2	KD02T774G01		
347	R63 006 087	G	WFT Screw	M5 x 12 (30pcs)	2	2	2	2	2	2	KB00H418G01	*7	
348	R63 007 087	G	H Screw	M5 x 10 KNURLED (30pcs)	5	5	5	5	5	5	KB00H418G14	*8	
349	R63 029 087	G	WFT Screw	M5 x 16 (10pcs)	1	1	1	1	1	1	KD00H026G01	*9	

PUHY-EP200YLM-A(-BS)
 PUHY-EP250YLM-A(-BS)

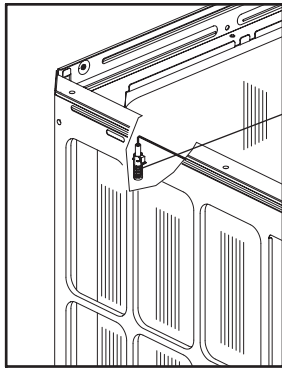
FUNCTIONAL PARTS (1)



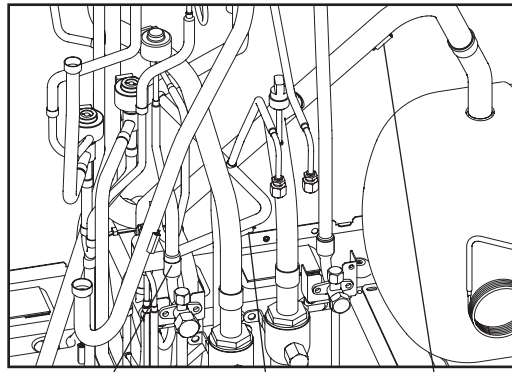
**PUHY-EP200YLM-A(-BS)
PUHY-EP250YLM-A(-BS)**

FUNCTIONAL PARTS (1)

No.	Part No.	G : RoHS Apply Only W : RoHS Apply by Running Change	Part Name	Spec.	PUHY-EP200YLM-A	PUHY-EP200YLM-A-BS	PUHY-EP250YLM-A	PUHY-EP250YLM-A-BS	Dwg. No.	Notes for the models	Revision info.
401	R69 103 478	G	Scroll compressor	ENB62FB-YE	1	1	1	1	EP10132B04		
402	R61 867 480	G	Heat exchanger	S	1	1	1	1	KD00S374G01		
403	R61 075 484	G	Accumulator assy		1		1		KB54B478G13		
404	R61 076 484	G	Accumulator assy	BS		1		1	KB54B478G14		
405	R61 044 487	G	Oil separator assy		1	1	1	1	KJ00L830G01		
406	R61 009 410	G	Ball valve	JA10YGME 4.15MPa D25	2	2	2	2	P636358X01	<BV1,BV3>	
407	R61 003 540	G	Valve	VSAMH3SSCM-LA1	2	2	2	2	P636346X01	<BV2,BV4>	
408	R61 008 454	G	Strainer	25.4D	2	2	2	2	KB48K250G01	<ST1,ST8>	
409	R63 Y03 454	G	Strainer	17.6D	1	1	1	1	W893281G01	<ST2>	
410	R61 004 413	G	Check joint L	R410A	2	2	2	2	P666013X01	<(HP)CJ1,(LP)CJ2>	
411	R63 002 425	G	Capillary tube assy		1	1	1	1	KB49F229G01	<CP1>	
412	R63 021 425	G	Capillary tube		1	1	1	1	KD49D414G01	<CP2>	
413	R61 025 425	G	Capillary tube		1	1	1	1	KD49M754G01	<CP3>	
414	R61 013 425	G	Capillary tube assy		2	2	2	2	KB49K872G01	<CP4,CP5>	
415	R61 005 418	G	Check valve	YAV R410A CV3.5	1	1	1	1	P633133X01	<CV1>	
416	R61 013 403	G	Four way valve	STF-07	1	1	1	1	P633130X01	<21S4a>	
417	R61 014 403	G	Four way valve	STF-04	1	1	1	1	P633131X01	<21S4b>	
418	R61 009 242	G	Four way valve coil	STF-01 220-240V	2	2	2	2	P472092X01	<21S4a,21S4b>	
419	R63 046 232	G	Solenoid valve	FDFA277 SV CV0.07	2	2	2	2	P631312X01	<SV1a,SV9>	
420	R63 032 243	G	Solenoid valve coil	FQG625 240V L1500	2	2	2	2	P472070X01	<SV1a,SV9>	
421	R63 001 921	G	Solenoid valve	VPV R410A	3	3	3	3	P631295X01	<SV2,SV10,SV11>	
422	R61 015 243	G	Solenoid valve coil	VPV Y2 AC220V-240V 50HZ	3	3	3	3	P472048X01	<SV2,SV10,SV11>	
423	R63 R34 401	G	Linear expansion valve	CAM35-S R410A	1	1	1	1	P632416X01	<LEV1>	
424	R63 011 401	G	Solenoid valve coil	DC12V D17.35 POLE6	1	1	1	1	P472059X02	<LEV1>	
425	R61 036 401	G	Linear expansion valve	CV 20TON(PAM)	2	2	2	2	P632504X01	<LEV2a,LEV2b>	
426	R61 022 243	G	Solenoid valve coil	PAM DC12V 6POLE	1	1	1	1	P472061X02	<LEV2a>	
427	R61 037 243	G	Solenoid valve coil	PAM DC12V 6POLE	1	1	1	1	KD00S378G01	<LEV2b>	
428	R63 Y11 208	G	Pressure switch	ACB1UB28W	1	1	1	1	P426320X01	<63H1>	
429	R63 049 288	G	Pressure sensor	HP	1	1	1	1	KB00H904G20	<63HS1>	
430	R63 050 288	G	Pressure sensor	LP	1	1	1	1	KB00H904G21	<63LS>	
431	R61 060 200	G	Thermistor	CHIP TH. 15K	4	4	4	4	P418065X01	<TH2,TH3,TH5,TH7>	
432	R63 172 200	G	Thermistor	8D-2500L R0/15K B0/3465K	1	1	1	1	P418098X01	<TH6>	
433	R63 911 202	G	Thermistor		1	1	1	1	P425416X02	<TH4>	
434	R63 800 202	G	Thermistor		2	2	2	2	P425494X01	<TH9,TH11>	
435	R61 001 310	G	Sensor holder		1	1	1	1	KB25B471H03		
436	R63 852 860	G	Rubber mount		4	4	4	4	W897574H01	For compressor	



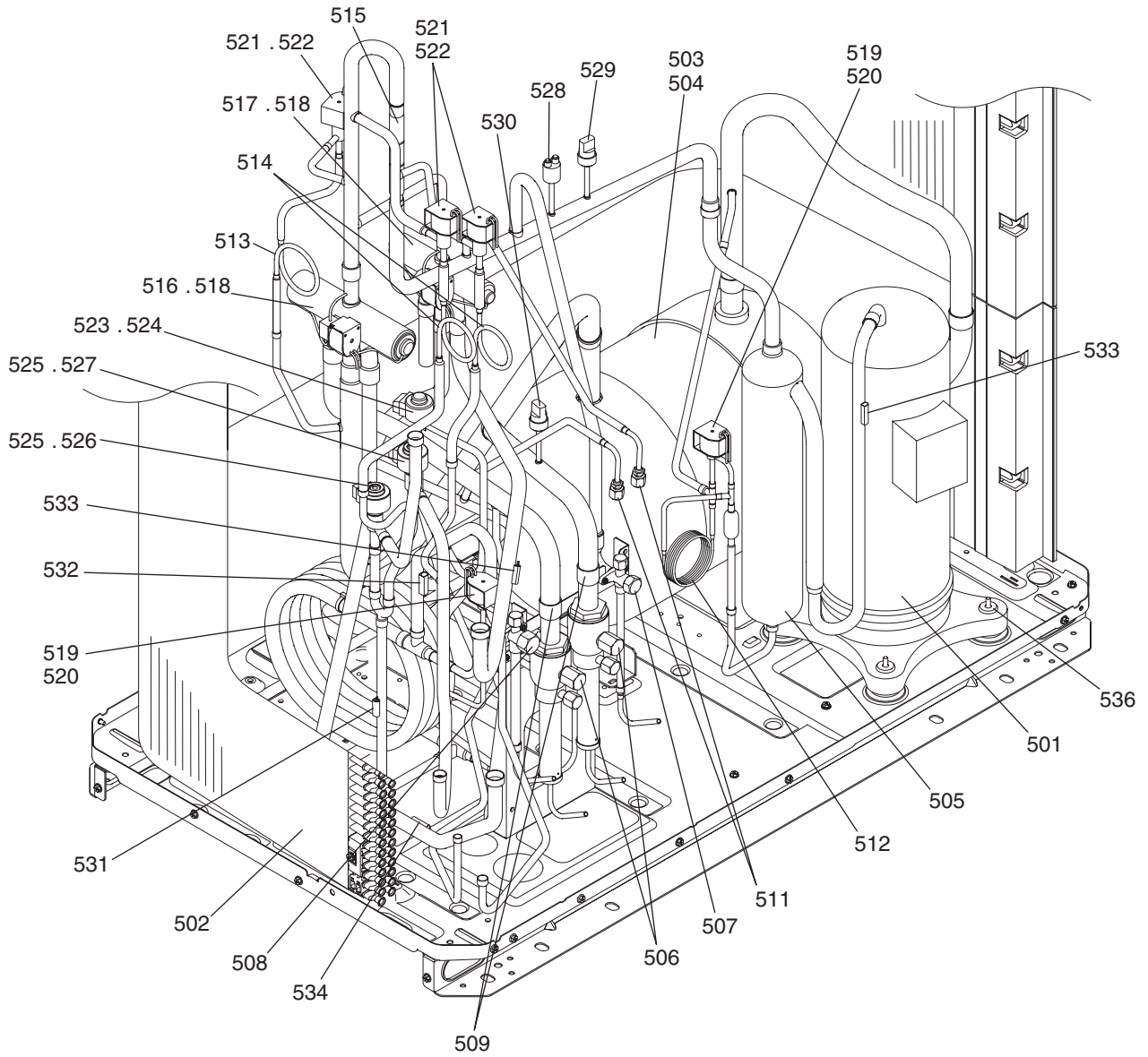
531 .535



510

531

531



521 .522

515

521

522

528

529

503

519

517 .518

530

504

520

514

513

516 .518

533

523 .524

525 .527

525 .526

533

532

519

520

536

501

505

531

512

502

507

511

508

506

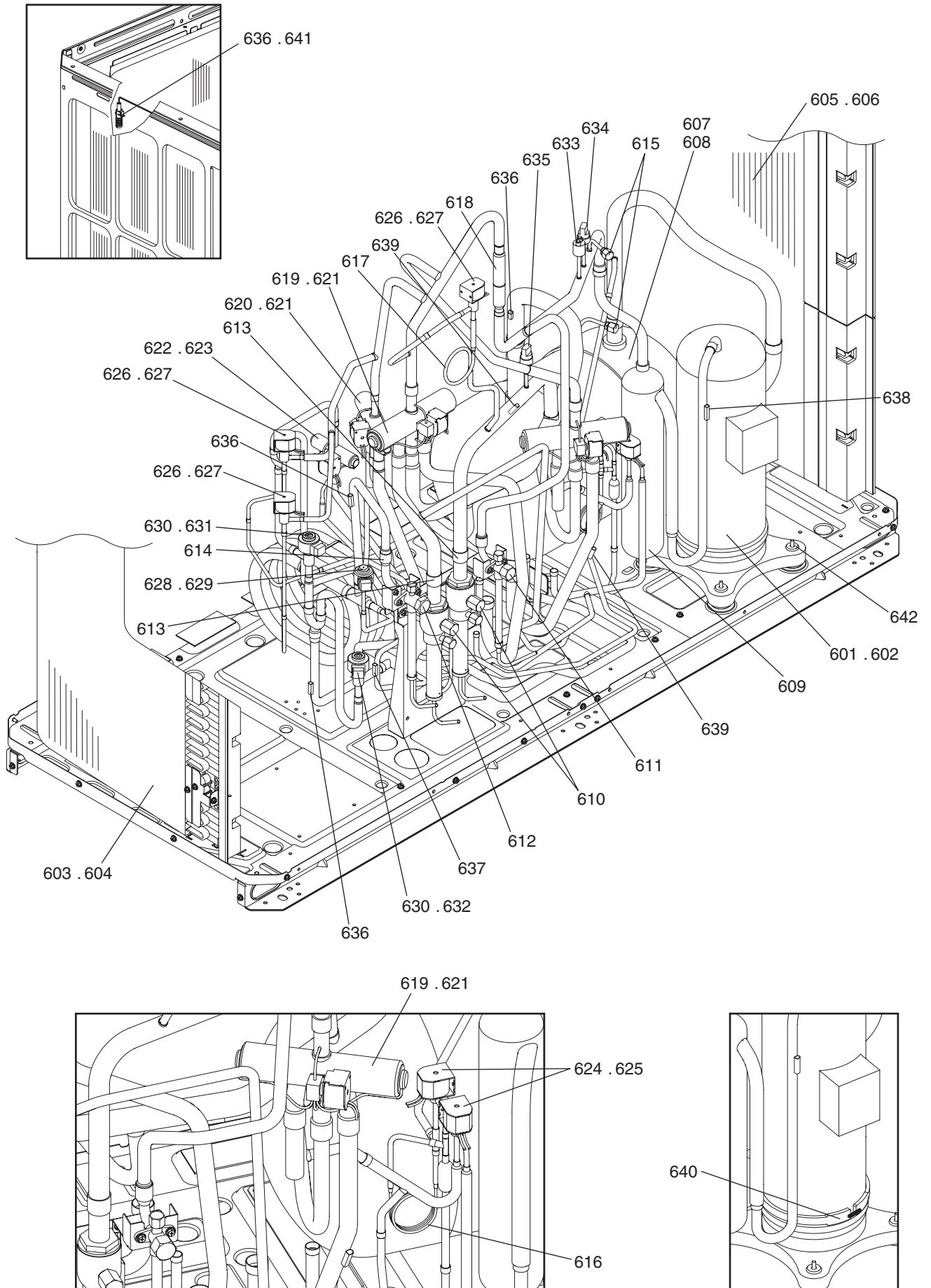
534

509

No.	Part No.	G : RoHS Apply Only W : RoHS Apply by Running Change	Part Name	Spec.	PUHY-EP300YLM-A	PUHY-EP300YLM-A-BS	PUHY-EP350YLM-A	PUHY-EP350YLM-A-BS		Dwg. No.	Notes for the models	Revision info.
501	R69 104 478	G	Scroll compressor	HNB83FB-YE	1	1	1	1		EP10136B03		
502	R61 868 480	G	Heat exchanger	L	1	1	1	1		KD00S375G01		
503	R61 118 484	G	Accumulator assy		1		1			KB54B479G33		
504	R61 119 484	G	Accumulator assy	BS		1		1		KB54B479G34		
505	R61 044 487	G	Oil separator assy		1	1	1	1		KJ00L830G01		
506	R61 009 410	G	Ball valve	JA10YGME 4.15MPA D25	2	2	2	2		P636358X01	<BV1,BV3>	
507	R61 004 540	G	Valve	VSAMH4SSCM-LA1	1	1	1	1		P636345X01	<BV2>	
508	R61 003 540	G	Valve		1	1	1	1		P636346X01	<BV4>	
509	R61 008 454	G	Strainer	25.4D	2	2	2	2		KB48K250G01	<ST1,ST8>	
510	R63 Y03 454	G	Strainer	17.6D	1	1	1	1		W893281G01	<ST2>	
511	R61 004 413	G	Check joint L	R410A	2	2	2	2		P666013X01	<(HP)CJ1,(LP)CJ2>	
512	R63 R34 425	G	Capillary tube assy		1	1	1	1		W905625G02	<CP1>	
513	R63 021 425	G	Capillary tube		1	1	1	1		KD49D414G01	<CP2>	
514	R61 026 425	G	Capillary tube assy		2	2	2	2		KD49P040G01	<CP4,CP5>	
515	R61 005 418	G	Check valve	YAV R410A CV3.5	1	1	1	1		P633133X01	<CV1>	
516	R61 013 403	G	Four way valve	STF-07	1	1	1	1		P633130X01	<21S4a>	
517	R61 014 403	G	Four way valve	STF-04	1	1	1	1		P633131X01	<21S4b>	
518	R61 009 242	G	Four way valve coil	STF-01 220-240V	2	2	2	2		P472092X01	<21S4a,21S4b>	
519	R63 046 232	G	Solenoid valve	FD2A77 SV CV0.07	2	2	2	2		P631312X01	<SV1a,SV9>	
520	R63 032 243	G	Solenoid valve coil	FQG625 240V L1500	2	2	2	2		P472070X01	<SV1a,SV9>	
521	R63 001 921	G	Solenoid valve	VPV R410A	3	3	3	3		P631295X01	<SV2,SV10,SV11>	
522	R61 015 243	G	Solenoid valve coil	VPV Y2 AC220V-240V 50HZ	3	3	3	3		P472048X01	<SV2,SV10,SV11>	
523	R63 R34 401	G	Linear expansion valve	CAM35-S R410A	1	1	1	1		P632416X01	<LEV1>	
524	R63 011 401	G	Solenoid valve coil	DC12V D17.35 POLE6	1	1	1	1		P472059X02	<LEV1>	
525	R61 036 401	G	Linear expansion valve	CV 20TON(PAM)	2	2	2	2		P632504X01	<LEV2a,LEV2b>	
526	R61 022 243	G	Solenoid valve coil	PAM DC12V 6POLE	1	1	1	1		P472061X02	<LEV2a>	
527	R61 037 243	G	Solenoid valve coil	PAM DC12V 6POLE	1	1	1	1		KD00S378G01	<LEV2b>	
528	R63 Y11 208	G	Pressure switch	ACB1UB28W	1	1	1	1		P426320X01	<63H1>	
529	R63 049 288	G	Pressure sensor	HP	1	1	1	1		KB00H904G20	<63HS1>	
530	R63 050 288	G	Pressure sensor	LP	1	1	1	1		KB00H904G21	<63LS>	
531	R61 060 200	G	Thermistor	CHIP TH. 15K	4	4	4	4		P418065X01	<TH2,TH3,TH5,TH7>	
532	R63 172 200	G	Thermistor	8D-2500L R0/15K B0/3465K	1	1	1	1		P418098X01	<TH6>	
533	R63 911 202	G	Thermistor		1	1	1	1		P425416X02	<TH4>	
534	R63 800 202	G	Thermistor		2	2	2	2		P425494X01	<TH9,TH11>	
535	R61 001 310	G	Sensor holder		1	1	1	1		KB25B471H03		
536	R63 852 860	G	Rubber mount		4	4	4	4		W897574H01	For compressor	

PUHY-EP400YLM-A(-BS)
 PUHY-EP450YLM-A(-BS)
 PUHY-EP500YLM-A(-BS)

FUNCTIONAL PARTS (3)



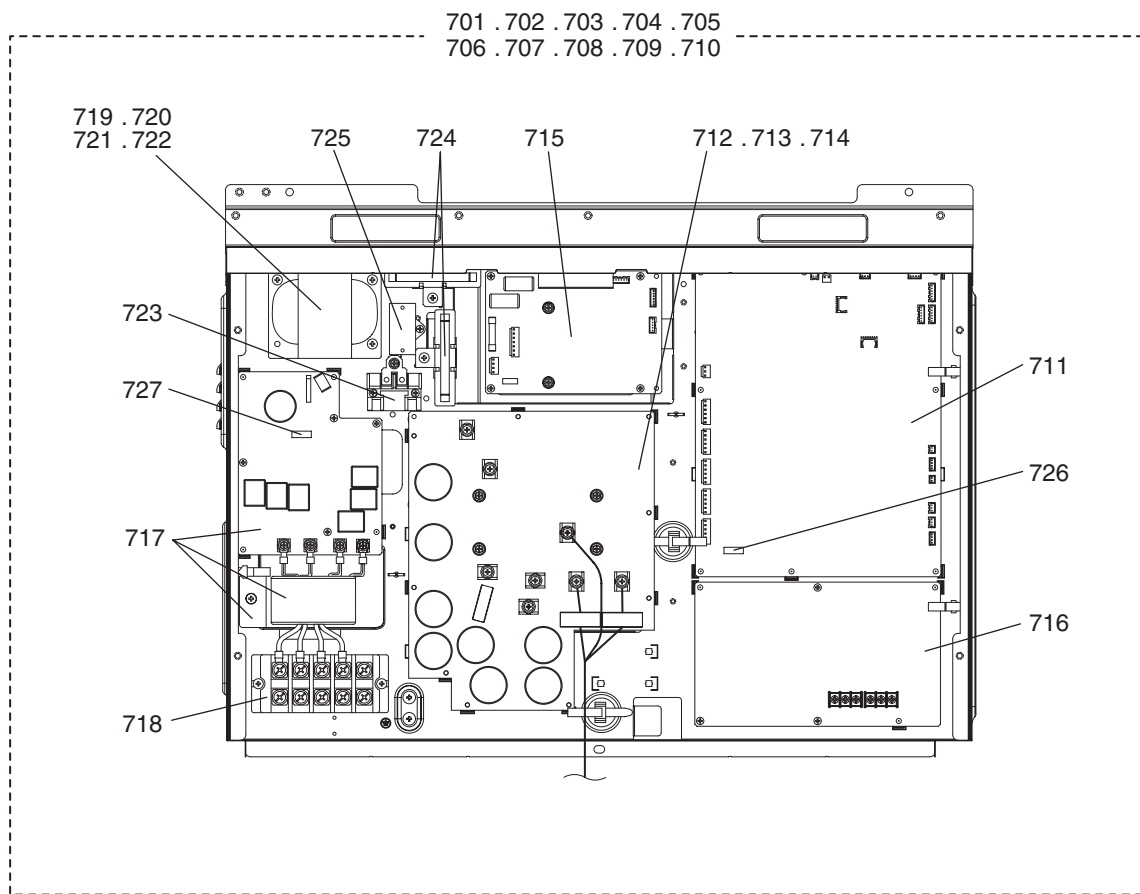
PUHY-EP400YLM-A(-BS)
 PUHY-EP450YLM-A(-BS)
 PUHY-EP500YLM-A(-BS)

FUNCTIONAL PARTS (3)

No.	Part No.	G : RoHS Apply Only W : RoHS Apply by Running Change	Part Name	Spec.	PUHY-EP400YLM-A	PUHY-EP400YLM-A-BS	PUHY-EP450YLM-A	PUHY-EP450YLM-A-BS	PUHY-EP500YLM-A	PUHY-EP500YLM-A-BS	Dwg. No.	Notes for the models	Revision info.
601	R69 118 478	G	Scroll compressor	HNB84FC-YE	1	1	1	1			EP10126B04		
602	R69 119 478	G	Scroll compressor	HNB84FD-YE					1	1	EP10126B05		
603	R61 869 480	G	Heat exchanger L	XL	1		1		1		KD00S377G01		
604	R61 870 480	G	Heat exchanger L	XL BS		1		1		1	KD00S377G02		
605	R61 871 480	G	Heat exchanger R	XL	1		1		1		KD00S376G01		
606	R61 872 480	G	Heat exchanger R	XL BS		1		1		1	KD00S376G02		
607	R61 120 484	G	Accumulator assy		1		1		1		KB54B479G35		
608	R61 121 484	G	Accumulator assy	BS		1		1		1	KB54B479G36		
609	R61 044 487	G	Oil separator assy		1	1	1	1	1	1	KJ00L830G01		
610	R61 009 410	G	Ball valve	JA10YGME 4.15MPA D25	2	2	2	2	2	2	P636358X01	<BV1,BV3>	
611	R61 005 540	G	Valve	VSAMH5SSCM-LA1	1	1	1	1	1	1	P636344X01	<BV2>	
612	R61 004 540	G	Valve	VSAMH4SSCM-LA1	1	1	1	1	1	1	P636345X01	<BV4>	
613	R61 008 454	G	Strainer	25.4D	2	2	2	2	2	2	KB48K250G01	<ST1,ST8>	
614	R63 Y03 454	G	Strainer	17.6D	1	1	1	1	1	1	W893281G01	<ST2>	
615	R63 R34 413	G	Check joint L	R410A	2	2	2	2	2	2	P666004X02	<(HP)CJ1,(LP)CJ2>	
616	R61 014 425	G	Capillary tube assy		1	1	1	1	1	1	KB49M503G01	<CP1>	
617	R63 021 425	G	Capillary tube		1	1	1	1	1	1	KD49D414G01	<CP2>	
618	R61 005 418	G	Check valve	YAV R410A CV3.5	1	1	1	1	1	1	P633133X01	<CV1>	
619	R61 013 403	G	Four way valve	STF-07	2	2	2	2	2	2	P633130X01	<21S4a,21S4c>	
620	R61 014 403	G	Four way valve	STF-04	1	1	1	1	1	1	P633131X01	<21S4b>	
621	R61 009 242	G	Four way valve coil	STF-01 220-240V	3	3	3	3	3	3	P472092X01	<21S4a,21S4b,21S4c>	
622	R63 004 421	G	Two way valve	VR43202 CV 7.4 OFF-OPEN	1	1	1	1	1	1	P633129X02	<SV5b>	
623	R63 031 243	G	Two way valve coil	SQ-240V L1500	1	1	1	1	1	1	P472085X01	<SV5b>	
624	R63 046 232	G	Solenoid valve	FD2A77 SV CV0.07	2	2	2	2	2	2	P631312X01	<SV1a,SV9>	
625	R63 032 243	G	Solenoid valve coil	FQG625 240V L1500	2	2	2	2	2	2	P472070X01	<SV1a,SV9>	
626	R63 001 921	G	Solenoid valve	VPV R410A	3	3	3	3	3	3	P631295X01	<SV2,SV10,SV11>	
627	R61 015 243	G	Solenoid valve coil	VPV Y2 AC220V-240V 50HZ	3	3	3	3	3	3	P472048X01	<SV2,SV10,SV11>	
628	R63 R34 401	G	Linear expansion valve	CAM35-S R410A	1	1	1	1	1	1	P632416X01	<LEV1>	
629	R63 011 401	G	Solenoid valve coil	DC12V D17.35 POLE6	1	1	1	1	1	1	P472059X02	<LEV1>	
630	R61 036 401	G	Linear expansion valve	CV 20TON(PAM)	2	2	2	2	2	2	P632504X01	<LEV2a,LEV2b>	
631	R61 022 243	G	Solenoid valve coil	PAM DC12V 6POLE	1	1	1	1	1	1	P472061X02	<LEV2a>	
632	R61 037 243	G	Solenoid valve coil	PAM DC12V 6POLE	1	1	1	1	1	1	KD00S378G01	<LEV2b>	
633	R63 Y11 208	G	Pressure switch	ACB1UB28W	1	1	1	1	1	1	P426320X01	<63H1>	
634	R63 049 288	G	Pressure sensor	HP	1	1	1	1	1	1	KB00H904G20	<63HS1>	
635	R63 050 288	G	Pressure sensor	LP	1	1	1	1	1	1	KB00H904G21	<63LS>	
636	R61 060 200	G	Thermistor	CHIP TH. 15K	4	4	4	4	4	4	P418065X01	<TH3,TH5,TH6,TH7>	
637	R63 172 200	G	Thermistor	8D-2500L R0/15K B0/3465K	1	1	1	1	1	1	P418098X01	<TH2>	
638	R63 911 202	G	Thermistor		1	1	1	1	1	1	P425416X02	<TH4>	
639	R63 800 202	G	Thermistor		2	2	2	2	2	2	P425494X01	<TH9,TH11>	
640	R63 Y07 237	G	Belt heater						1	1	P493781X02	<CH11>	
641	R61 001 310	G	Sensor holder		1	1	1	1	1	1	KB25B471H03		
642	R63 852 860	G	Rubber mount		4	4	4	4	4	4	W897574H01	For compressor	

PUHY-EP200,EP250YLM-A(-BS)
PUHY-EP300,EP350YLM-A(-BS)
PUHY-EP400,EP450YLM-A(-BS)

CONTROL BOX PARTS (1)



**PUHY-EP200,EP250YLM-A(-BS)
 PUHY-EP300,EP350YLM-A(-BS)
 PUHY-EP400,EP450YLM-A(-BS)**

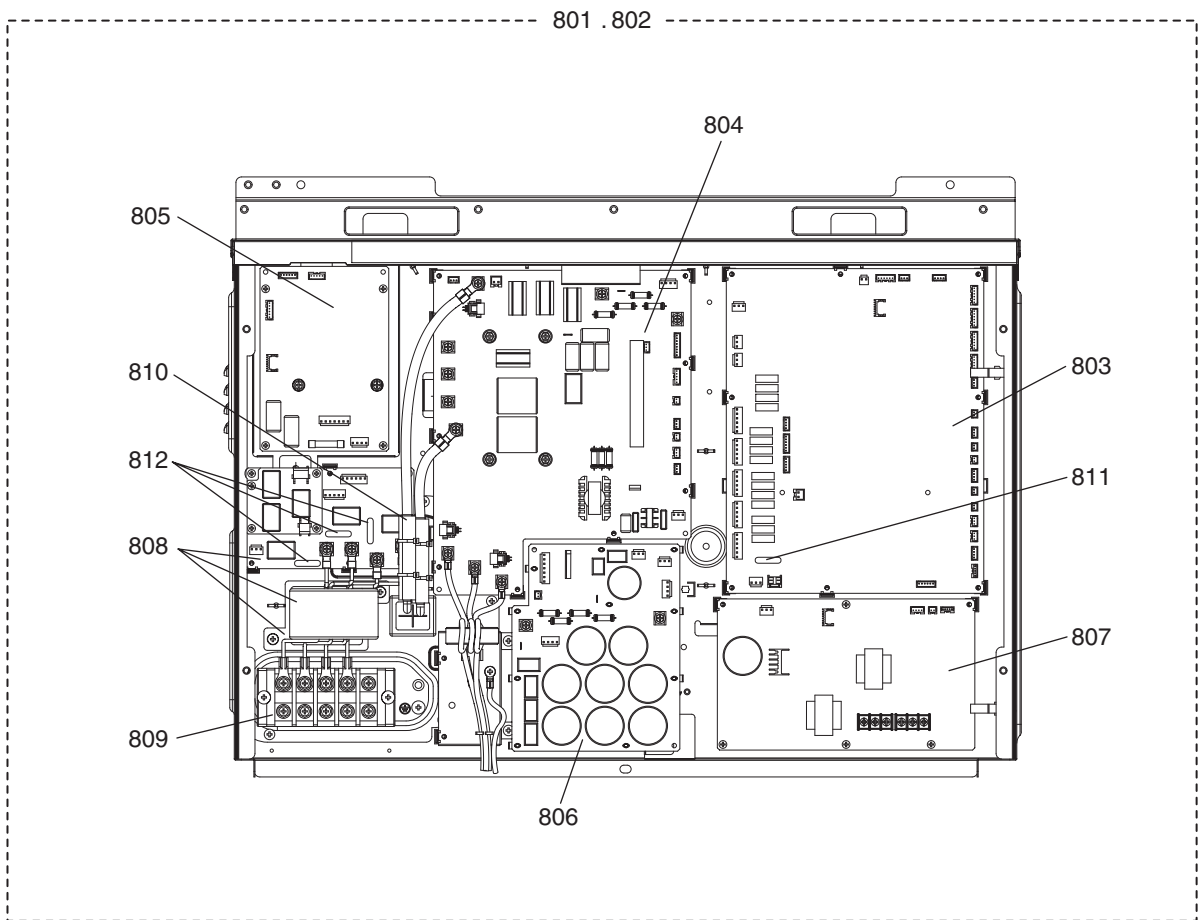
CONTROL BOX PARTS (1)

No.	Part No.	G : RoHS Apply Only W: RoHS Apply by Running Change	Part Name	Spec.	PUHY-EP200YLM-A	PUHY-EP200YLM-A-BS	PUHY-EP250YLM-A	PUHY-EP250YLM-A-BS	PUHY-EP300YLM-A	PUHY-EP300YLM-A-BS	Dwg. No.	Notes for the models	Revision info.
701	R61 568 305	G	Control box	Y-EP200	1						KE80C542G93		
702	R61 569 305	G	Control box	Y-EP200 BS		1					KE80C542G94		
703	R61 570 305	G	Control box	Y-EP250			1				KE80C542G95		
704	R61 571 305	G	Control box	Y-EP250 BS				1			KE80C542G96		
705	R61 572 305	G	Control box	Y-EP300					1		KE80C542G97		
706	R61 573 305	G	Control box	Y-EP300 BS						1	KE80C542G98		
707	R61 574 305	G	Control box	Y-EP350							KE80C542G99		
708	R61 575 305	G	Control box	Y-EP350 BS							KE80C542GA0		
709	R61 576 305	G	Control box	Y-EP400							KE80C542GA1		
710	R61 577 305	G	Control box	Y-EP400 BS							KE80C542GA2		
711	R61 298 280	G	Control board		1	1	1	1	1	1	KE80C836G04	<MAIN09>	
712	R61 299 280	G	INV board		1	1	1	1			KE80C154G15	<INV20Y>	
713	R61 302 280	G	INV board						1	1	KE80C154G16	<INV20Y>	
714	R61 303 280	G	INV board								KE80C154G17	<INV20Y>	
715	R61 304 280	G	FAN board		1	1	1	1	1	1	W652171G18	<INV/S12Y>	
716	R63 187 280	G	M-NET board		1	1	1	1	1	1	KE80C055G06	<PS-MNET-Y>	
717	R61 028 293	G	Noise filter	board,coil,plate	1	1	1	1	1	1	KE80C727G03		
718	R61 007 246	G	Terminal block		1	1	1	1	1	1	S436005H12	<TB1>	
719	R61 017 259	G	Reactor		1	1					P715458X01	<DCL>	
720	R61 027 259	G	Reactor				1	1			P715476X02	<DCL>	
721	R61 028 259	G	Reactor						1	1	P715475X02	<DCL>	
722	R61 012 259	G	Reactor								P715441X02	<DCL>	
723	R61 003 216	G	Relay		1	1	1	1	1	1	P421295X01	<72C>	
724	R61 001 234	G	Resistor		2	2	2	2	2	2	P411151X01	<R1,R5>	
725	R61 001 255	G	Capacitor assy		1	1	1	1	1	1	KE00D263G01	<C100>	
726	R61 005 239	G	Fuse	3.15A AC250V T	1	1	1	1	1	1	S423001H39		
727	R61 006 239	G	Fuse	6.3A AC250V T	1	1	1	1	1	1	S423001H42		

PUHY-EP200,EP250YLM-A(-BS)
 PUHY-EP300,EP350YLM-A(-BS)
 PUHY-EP400,EP450YLM-A(-BS)

CONTROL BOX PARTS (1)

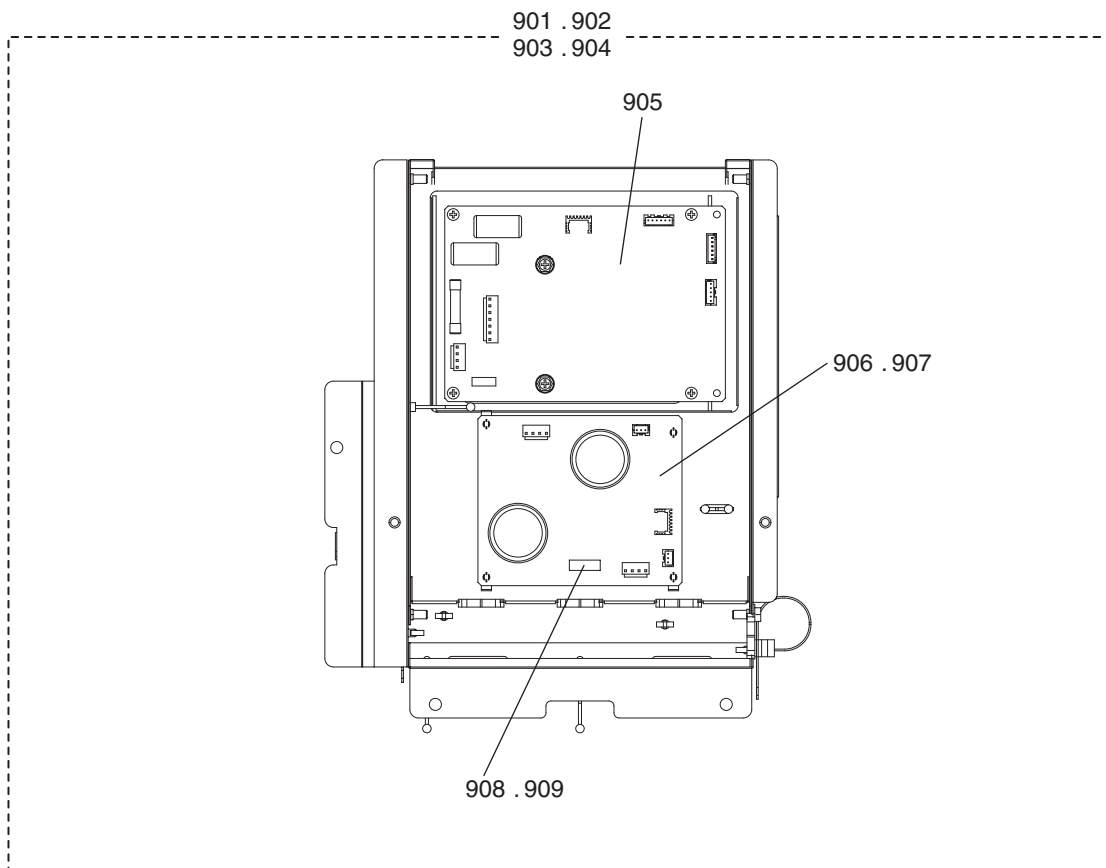
No.	Part No.	G : RoHS Apply Only W : RoHS Apply by Running Change	Part Name	Spec.	PUHY-EP200YLM-A	PUHY-EP250YLM-A-BS	PUHY-EP300YLM-A	PUHY-EP350YLM-A-BS	PUHY-EP400YLM-A	PUHY-EP450YLM-A-BS	Dwg. No.	Notes for the models	Revision info.
701	R61 568 305	G	Control box	Y-EP200							KE80C542G93		
702	R61 569 305	G	Control box	Y-EP200 BS							KE80C542G94		
703	R61 570 305	G	Control box	Y-EP250							KE80C542G95		
704	R61 571 305	G	Control box	Y-EP250 BS							KE80C542G96		
705	R61 572 305	G	Control box	Y-EP300							KE80C542G97		
706	R61 573 305	G	Control box	Y-EP300 BS							KE80C542G98		
707	R61 574 305	G	Control box	Y-EP350	1						KE80C542G99		
708	R61 575 305	G	Control box	Y-EP350 BS		1					KE80C542GA0		
709	R61 576 305	G	Control box	Y-EP400			1		1		KE80C542GA1		
710	R61 577 305	G	Control box	Y-EP400 BS				1		1	KE80C542GA2		
711	R61 298 280	G	Control board		1	1	1	1	1	1	KE80C836G04	<MAIN09>	
712	R61 299 280	G	INV board								KE80C154G15	<INV20Y>	
713	R61 302 280	G	INV board		1	1					KE80C154G16	<INV20Y>	
714	R61 303 280	G	INV board				1	1	1	1	KE80C154G17	<INV20Y>	
715	R61 304 280	G	FAN board		1	1	1	1	1	1	W652171G18	<INV/S12Y>	
716	R63 187 280	G	M-NET board		1	1	1	1	1	1	KE80C055G06	<PS-MNET-Y>	
717	R61 028 293	G	Noise filter	board,coil,plate	1	1	1	1	1	1	KE80C727G03		
718	R61 007 246	G	Terminal block		1	1	1	1	1	1	S436005H12	<TB1>	
719	R61 017 259	G	Reactor								P715458X01	<DCL>	
720	R61 027 259	G	Reactor								P715476X02	<DCL>	
721	R61 028 259	G	Reactor								P715475X02	<DCL>	
722	R61 012 259	G	Reactor		1	1	1	1	1	1	P715441X02	<DCL>	
723	R61 003 216	G	Relay		1	1	1	1	1	1	P421295X01	<72C>	
724	R61 001 234	G	Resistor		2	2	2	2	2	2	P411151X01	<R1,R5>	
725	R61 001 255	G	Capacitor assy		1	1	1	1	1	1	KE00D263G01	<C100>	
726	R61 005 239	G	Fuse	3.15A AC250V T	1	1	1	1	1	1	S423001H39		
727	R61 006 239	G	Fuse	6.3A AC250V T	1	1	1	1	1	1	S423001H42		



No.	Part No.	G : RoHS Apply Only W : RoHS Apply by Running Change		Spec.	PUHY-EP500YLM-A	PUHY-EP500YLM-A-BS						Dwg. No.	Notes for the models	Revision info.
		Part Name												
801	R61 578 305	G	Control box	Y-EP500	1							KE80C890G07		
802	R61 579 305	G	Control box	Y-EP500 BS		1						KE80C890G08		
803	R61 298 280	G	Control board		1	1						KE80C836G04	<MAIN09>	
804	R61 305 280	G	INV board		1	1						KE80C988G01	<INV30YC>	
805	R61 304 280	G	FAN board		1	1						W652171G18	<INV/S12Y>	
806	R61 306 280	G	Capacitor board		1	1						KE80G001G01		
807	R63 187 280	G	M-NET board		1	1						KE80C055G06	<PS-MNET-Y>	
808	R61 033 293	G	Noise filter	board,coil,plate	1	1						KE80C892G02		
809	R61 007 246	G	Terminal block		1	1						S436005H12	<TB1>	
810	R61 044 259	G	Reactor		1	1						KE80C893G03	<DCL>	
811	R61 005 239	G	Fuse	3.15A AC250V T	1	1						S423001H39		
812	R61 006 239	G	Fuse	6.3A AC250V T	3	3						S423001H42		

PUHY-EP400YLM-A(-BS)
PUHY-EP450YLM-A(-BS)
PUHY-EP500YLM-A(-BS)

FAN BOX PARTS



**PUHY-EP400YLM-A(-BS)
 PUHY-EP450YLM-A(-BS)
 PUHY-EP500YLM-A(-BS)**

FAN BOX PARTS

No.	Part No.	G : RoHS Apply Only W : RoHS Apply by Running Change		Spec.	PUHY-EP400YLM-A	PUHY-EP450YLM-A-BS	PUHY-EP450YLM-A	PUHY-EP450YLM-A-BS	PUHY-EP500YLM-A	PUHY-EP500YLM-A-BS	Dwg. No.	Notes for the models	Revision info.
			Part Name										
901	R61 580 305	G	FAN box		1		1				KE80C721G11		
902	R61 581 305	G	FAN box			1	1				KE80C721G12		
903	R61 582 305	G	FAN box						1		KE80C721G13		
904	R61 583 305	G	FAN box							1	KE80C721G14		
905	R61 304 280	G	FAN board		1	1	1	1	1	1	W652171G18	<INV/S12Y>	
906	R63 194 280	G	Connect board		1	1	1	1			KE80C725G02	<CONNECT01>	
907	R61 307 280	G	Connect board						1	1	KE80C725G03	<CONNECT01YC>	
908	R12 001 964	G	Fuse		1	1	1	1			S423001H40		
909	R61 016 239	G	Fuse							1	1	S423001H36	

mitsubishi
electric
corporation

BWE014100 (20141130)