

Revision C:

• MSZ-HJ60VA-**E1**, **ER1** and MSZ-HJ71VA-**E1**, **ER1** have been added.

Please void OBB647 REVISED EDITION-B.

INDOOR UNIT PARTS CATALOG

No. OBB647
REVISED EDITION-C

Models

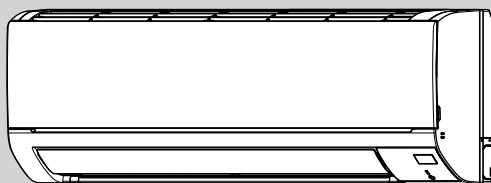
MSZ-HJ25VA - **E1**, **ER1**

MSZ-HJ35VA - **E1**, **ER1**

MSZ-HJ50VA - **E1**, **ER1**

MSZ-HJ60VA - **E1**, **ER1**

MSZ-HJ71VA - **E1**, **ER1**



MSZ-HJ25VA
MSZ-HJ35VA
MSZ-HJ50VA



CONTENTS

1. RoHS PARTS LIST	2
2. OPTIONAL PARTS	10

SERVICE MANUAL (OBH647)

NOTE:

RoHS compliant products have <G> mark on the spec name plate.

Revision A:

• MSZ-HJ50VA-[E1] has been added.

Revision B:

• MSZ-HJ25VA-[ER1], MSZ-HJ35VA-[ER1] and MSZ-HJ50VA-[ER1] have been added.

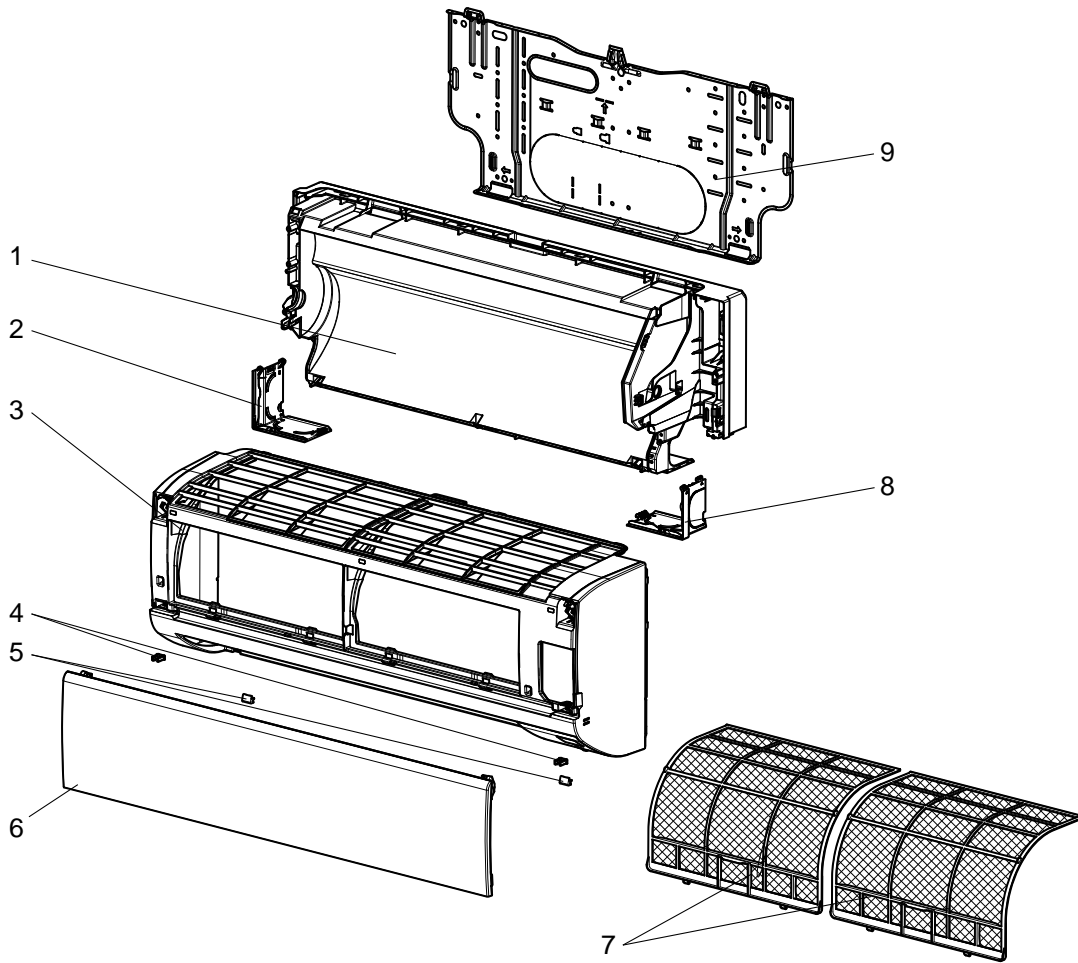
Revision C:

• MSZ-HJ60VA-[E1], [ER1] and MSZ-HJ71VA-[E1], [ER1] have been added.

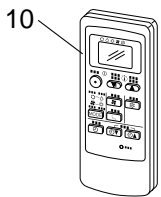
1 RoHS PARTS LIST

MSZ-HJ25VA MSZ-HJ35VA MSZ-HJ50VA

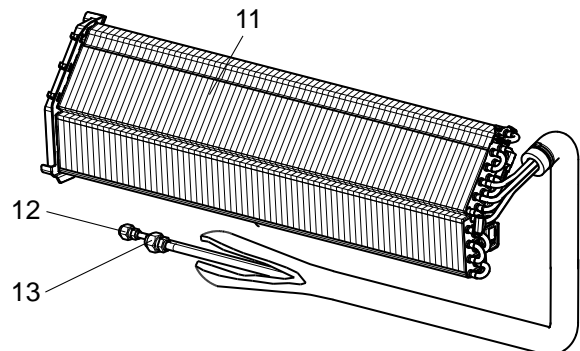
1-1. INDOOR UNIT STRUCTURAL PARTS



1-2. ACCESSORY AND REMOTE CONTROLLER



1-3. INDOOR UNIT HEAT EXCHANGER



RoHS PARTS LIST

1-1. INDOOR UNIT STRUCTURAL PARTS

No.	RoHS	Part No.	Part name	Symbol in Wiring Diagram	Q'ty/unit						Remarks
					MSZ-HJ						
					25VA- E1	25VA- ER1	35VA- E1	35VA- ER1	50VA- E1	50VA- ER1	
1	G	E12 J98 234	BOX ASSEMBLY		1	1	1	1			
	G	E12 K01 234	BOX ASSEMBLY						1	1	
2	G	E12 J98 976	CORNER BOX LEFT		1	1	1	1	1	1	
3	G	E12 J98 000	PANEL ASSEMBLY		1	1	1	1	1	1	Including No. 4,5,6
4	G	E12 F95 142	CATCH		2	2	2	2	2	2	2 PCS/SET
5	G	E12 913 067	SCREW CAP		2	2	2	2	2	2	2 PCS/SET
6	G	E12 J98 010	FRONT PANEL		1	1	1	1	1	1	
7	G	E12 J98 100	AIR FILTER		2	2	2	2	2	2	1 PC/SET
8	G	E12 J98 975	CORNER BOX RIGHT		1	1	1	1	1	1	
9	G	E12 J98 970	INSTALLATION PLATE		1	1	1	1	1	1	

1-2. ACCESSORY AND REMOTE CONTROLLER

No.	RoHS	Part No.	Part name	Symbol in Wiring Diagram	Q'ty/unit						Remarks
					MSZ-HJ						
					25VA- E1	25VA- ER1	35VA- E1	35VA- ER1	50VA- E1	50VA- ER1	
10	G	E12 J98 426	REMOTE CONTROLLER		1	1	1	1	1	1	MP13A

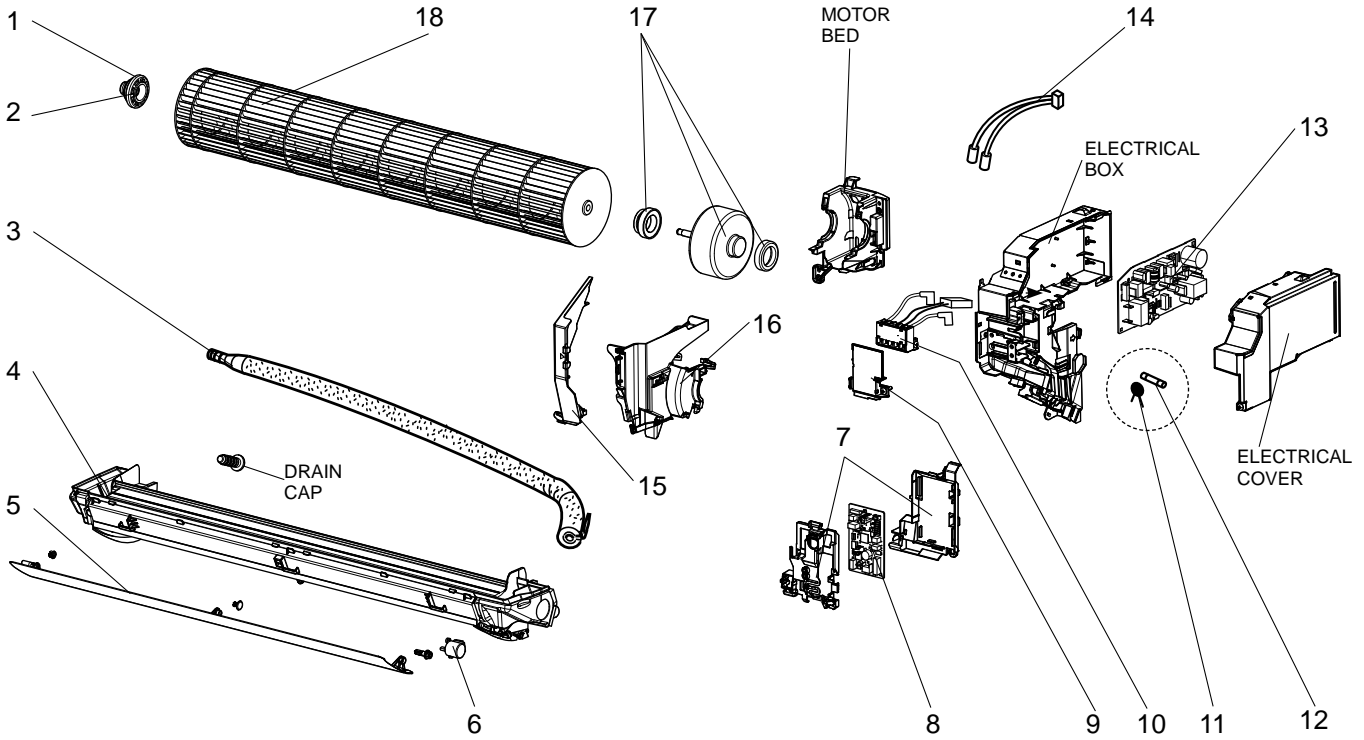
1-3. INDOOR UNIT HEAT EXCHANGER

No.	RoHS	Part No.	Part name	Symbol in Wiring Diagram	Q'ty/unit						Remarks
					MSZ-HJ						
					25VA- E1	25VA- ER1	35VA- E1	35VA- ER1	50VA- E1	50VA- ER1	
11	G	E12 J98 620	INDOOR HEAT EXCHANGER		1	1	1	1			
	G	E12 K01 620							1	1	
12	G	E12 C32 667	UNION (LIQUID)		1	1	1	1	1	1	ø6.35
13	G	E12 815 666	UNION (GAS)		1	1	1	1			ø9.52
	G	E12 155 666							1	1	ø12.7

RoHS PARTS LIST

MSZ-HJ25VA MSZ-HJ35VA MSZ-HJ50VA

1-4. INDOOR UNIT ELECTRICAL PARTS AND FUNCTIONAL PARTS



RoHS PARTS LIST

1-4. INDOOR UNIT ELECTRICAL PARTS AND FUNCTIONAL PARTS

No.	RoHS	Part No.	Part name	Symbol in Wiring Diagram	Q'ty/unit						Remarks
					MSZ-HJ						
					25VA- E1	25VA- ER1	35VA- E1	35VA- ER1	50VA- E1	50VA- ER1	
1	G	E12 751 509	BEARING MOUNT		1	1	1	1	1	1	
2	G	E12 001 504	SLEEVE BEARING		1	1	1	1	1	1	
3	G	E12 897 702	DRAIN HOSE		1	1	1	1	1	1	
4	G	E12 J98 235	NOZZLE ASSEMBLY		1	1	1	1	1	1	
5	G	E12 J98 040	HORIZONTAL VANE		1	1	1	1	1	1	
6	G	E12 A89 303	VANE MOTOR	MV	1	1	1	1	1	1	UP & DOWN, 1 PC/SET
7	G	E12 J98 095	CONTROL P.C. BOARD HOLDER ASSEMBLY		1	1	1	1	1	1	
8	G	E12 J98 452	ELECTRONIC CONTROL P.C. BOARD ※1		1	1					
	G	E12 J99 452					1	1			
	G	E12 K01 452							1	1	
9	G	E12 J98 784	V.A. CLAMP		1	1	1	1	1	1	
10	G	E12 J98 375	TERMINAL BLOCK ASSEMBLY ※2	TB	1	1	1	1	1	1	
11	G	E12 B75 385	VARISTOR	NR11	1	1	1	1	1	1	
12	G	E12 A49 382	FUSE	F11	1	1	1	1	1	1	T3.15AL250V
13	G	E12 J98 440	POWER P.C. BOARD		1	1	1	1	1	1	
14	G	E12 J98 307	INDOOR COIL THERMISTOR	RT12,RT13	1	1	1	1			
	G	E12 K01 307	INDOOR COIL THERMISTOR	RT12,RT13					1	1	
15	G	E12 J98 541	WATER COVER		1	1	1	1	1	1	
16	G	E12 J98 333	MOTOR BAND		1	1	1	1	1	1	
17	G	E12 E99 300	INDOOR FAN MOTOR ※3	MF	1	1	1	1	1	1	RC0J40-□□
18	G	E12 J98 302	LINE FLOW FAN		1	1	1	1	1	1	

※1 Including ROOM TEMPERATURE THERMISTOR (RT11)

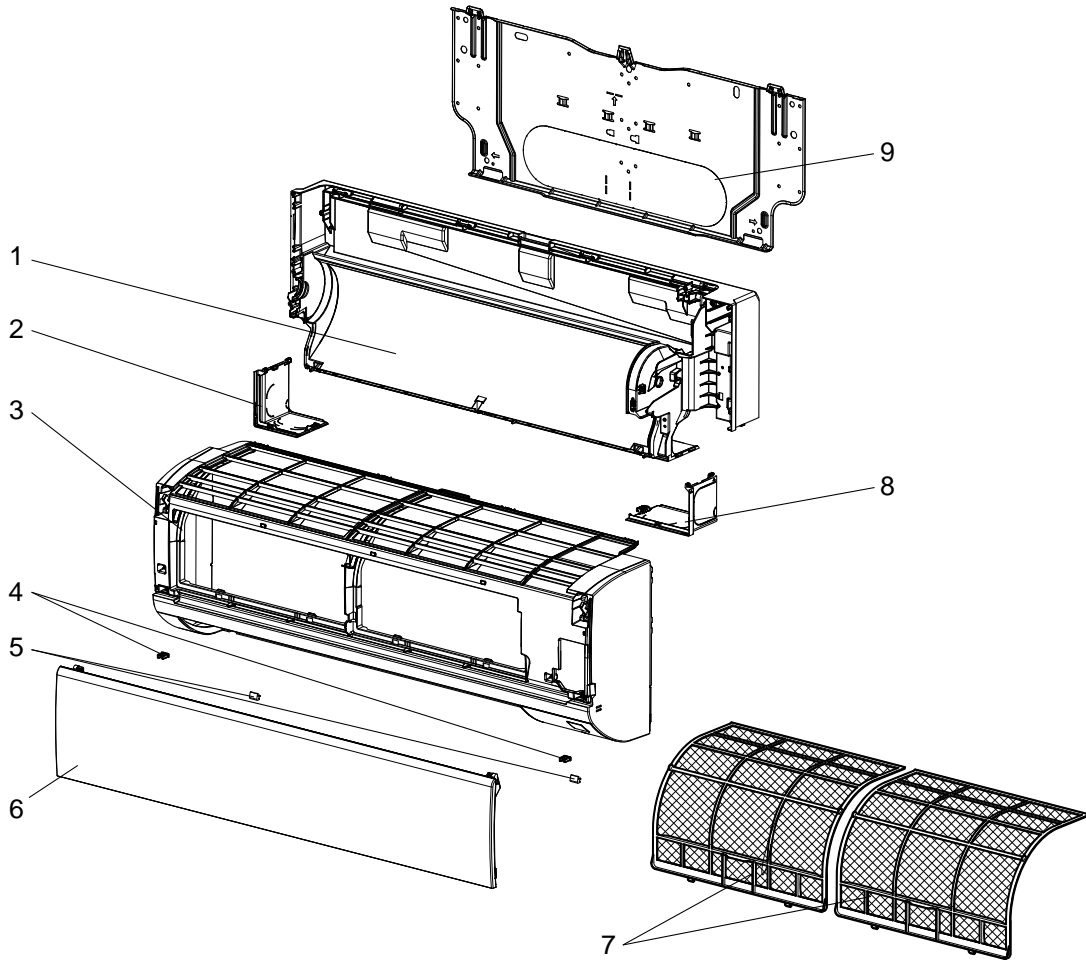
※2 Including THERMAL FUSE (F12)

※3 Including FAN MOTOR RUBBER MOUNT (2 PCS/SET)

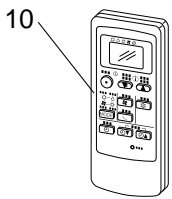
RoHS PARTS LIST

MSZ-HJ60VA MSZ-HJ71VA

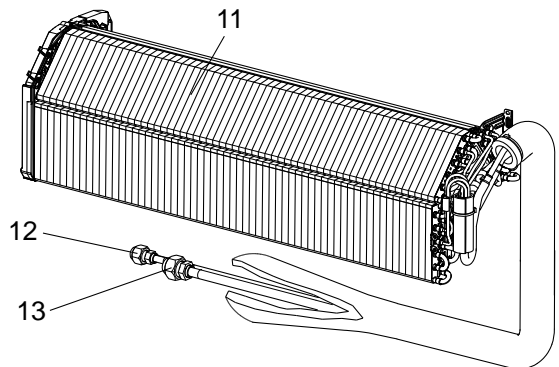
1-5. INDOOR UNIT STRUCTURAL PARTS



1-6. ACCESSORY AND REMOTE CONTROLLER



1-7. INDOOR UNIT HEAT EXCHANGER



RoHS PARTS LIST

1-5. INDOOR UNIT STRUCTURAL PARTS

No.	RoHS	Part No.	Part name	Symbol in Wiring Diagram	Q'ty/unit				Remarks
					MSZ-HJ				
					60VA- <u>E1</u>	60VA- <u>ER1</u>	71VA- <u>E1</u>	71VA- <u>ER1</u>	
1	G	E12 N87 234	BOX ASSEMBLY		1	1	1	1	
2	G	E12 N87 976	CORNER BOX LEFT		1	1	1	1	
3	G	E12 N87 000	PANEL ASSEMBLY		1		1		Including No. 4,5,6
	G	E12 N89 000	PANEL ASSEMBLY			1		1	
4	G	E12 F95 142	CATCH		2	2	2	2	2 PCS/SET
5	G	E12 913 067	SCREW CAP		2	2	2	2	2 PCS/SET
6	G	E12 N87 010	FRONT PANEL		1	1	1	1	
7	G	E12 N87 100	AIR FILTER		2	2	2	2	1 PC/SET
8	G	E12 N87 975	CORNER BOX RIGHT		1	1	1	1	
9	G	E12 N87 970	INSTALLATION PLATE		1	1	1	1	

1-6. ACCESSORY AND REMOTE CONTROLLER

No.	RoHS	Part No.	Part name	Symbol in Wiring Diagram	Q'ty/unit				Remarks
					MSZ-HJ				
					60VA- <u>E1</u>	60VA- <u>ER1</u>	71VA- <u>E1</u>	71VA- <u>ER1</u>	
10	G	E12 N87 426	REMOTE CONTROLLER		1	1	1	1	MP14B

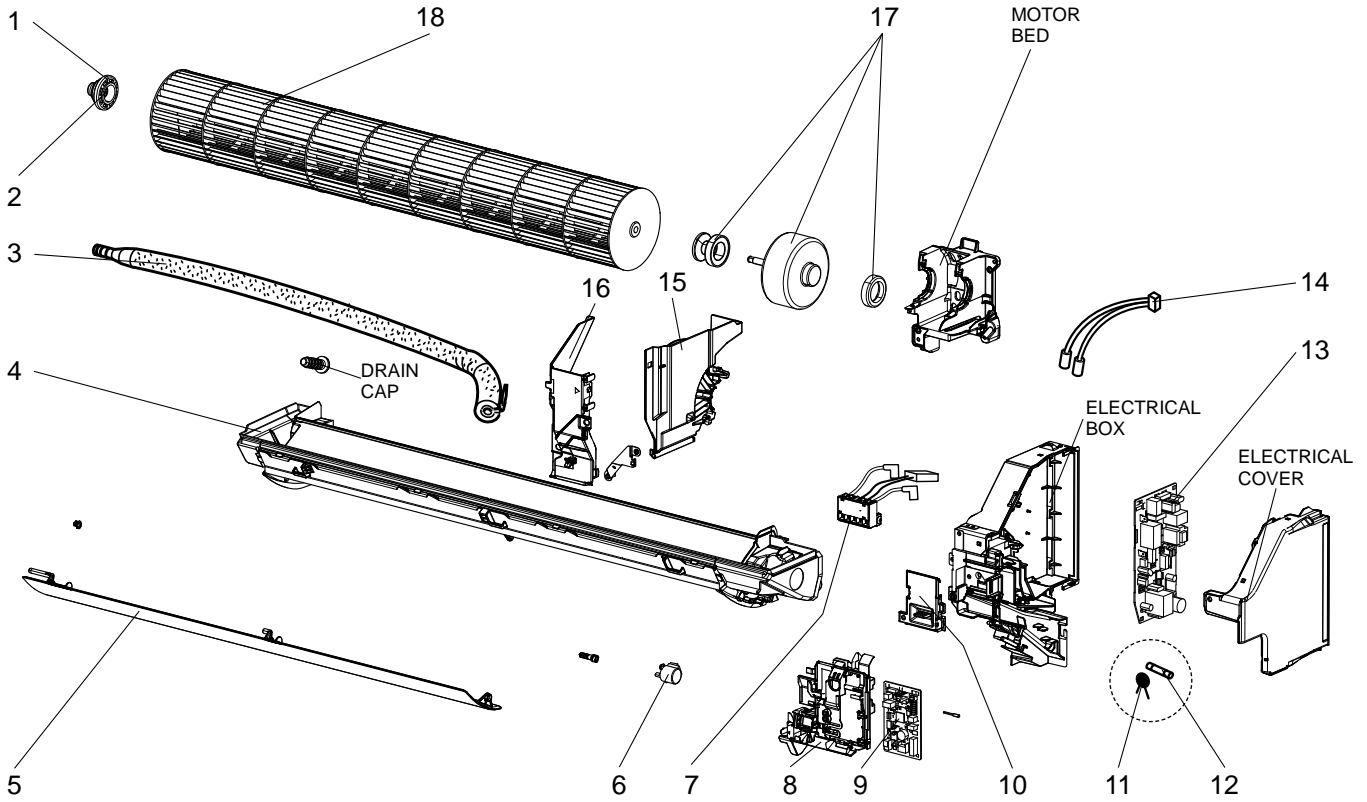
1-7. INDOOR UNIT HEAT EXCHANGER

No.	RoHS	Part No.	Part name	Symbol in Wiring Diagram	Q'ty/unit				Remarks
					MSZ-HJ				
					60VA- <u>E1</u>	60VA- <u>ER1</u>	71VA- <u>E1</u>	71VA- <u>ER1</u>	
11	G	E12 N87 620	INDOOR HEAT EXCHANGER		1	1			
	G	E12 N88 620					1	1	
12	G	E12 151 667	UNION (LIQUID)		1	1			ø6.35
	G	E12 151 666					1	1	ø9.52
13	G	E12 527 666	UNION (GAS)		1	1	1	1	ø15.88

RoHS PARTS LIST

MSZ-HJ60VA MSZ-HJ71VA

1-8. INDOOR UNIT ELECTRICAL PARTS AND FUNCTIONAL PARTS



RoHS PARTS LIST

1-8. INDOOR UNIT ELECTRICAL PARTS AND FUNCTIONAL PARTS

No.	RoHS	Part No.	Part name	Symbol in Wiring Diagram	Q'ty/unit				Remarks
					MSZ-HJ				
					60VA- <input type="checkbox"/>	60VA- <input type="checkbox"/>	71VA- <input type="checkbox"/>	71VA- <input type="checkbox"/>	
1	G	E12 751 509	BEARING MOUNT		1	1	1	1	
2	G	E12 001 504	SLEEVE BEARING		1	1	1	1	
3	G	E12 897 702	DRAIN HOSE		1	1	1	1	
4	G	E12 N87 235	NOZZLE ASSEMBLY		1	1	1	1	
5	G	E12 N87 040	HORIZONTAL VANE		1	1	1	1	
6	G	E12 N87 303	VANE MOTOR	MV	1	1	1	1	UP & DOWN, 1 PC/SET
7	G	E12 N87 375	TERMINAL BLOCK ASSEMBLY ※2	TB	1	1	1	1	
8	G	E12 N87 095	CONTROL P.C. BOARD HOLDER ASSEMBLY		1	1	1	1	
9	G	E12 N87 452	ELECTRONIC CONTROL P.C. BOARD ※1		1	1			
	G	E12 N88 452	BOARD ※1				1	1	
10	G	E12 N87 784	V.A. CLAMP		1	1	1	1	
11	G	E12 B75 385	VARISTOR	NR11	1	1	1	1	
12	G	E12 A49 382	FUSE	F11	1	1	1	1	T3.15AL250V
13	G	E12 N87 440	POWER P.C. BOARD		1	1	1	1	
14	G	E12 N87 307	INDOOR COIL THERMISTOR	RT12,RT13	1	1	1	1	
15	G	E12 N87 333	MOTOR BAND		1	1	1	1	
16	G	E12 N87 541	WATER COVER		1	1	1	1	
17	G	E12 J44 300	INDOOR FAN MOTOR ※3	MF	1	1	1	1	RC0J30- <input type="checkbox"/>
18	G	E12 N87 302	LINE FLOW FAN		1	1	1	1	

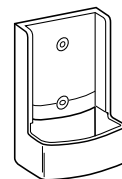
※1 Including ROOM TEMPERATURE THERMISTOR (RT11)

※2 Including THERMAL FUSE (F12)

※3 Including FAN MOTOR RUBBER MOUNT (2 PCS/SET)

2-1. REMOTE CONTROLLER HOLDER

Model	Part No.
MSZ-HJ25VA	MAC-1200RC
MSZ-HJ35VA	
MSZ-HJ50VA	
MSZ-HJ60VA	
MSZ-HJ71VA	

**MITSUBISHI ELECTRIC CORPORATION**

HEAD OFFICE: TOKYO BLDG., 2-7-3, MARUNOUCHI, CHIYODA-KU, TOKYO 100-8310, JAPAN

© Copyright 2012 MITSUBISHI ELECTRIC CORPORATION
Distributed in Oct. 2014. No. OBB647 REVISED EDITION-C
Distributed in Dec. 2013. No. OBB647 REVISED EDITION-B
Distributed in Mar. 2013. No. OBB647 REVISED EDITION-A
Distributed in Dec. 2012. No. OBB647
Made in Japan

New publication, effective Oct. 2014
Specifications are subject to change without notice.