

**Revision C:**  
• MUZ-GF60VE-**ET1** and MUZ-GF71VE-**ET1**  
have been added.

Please void OBB635 REVISED EDITION-B.

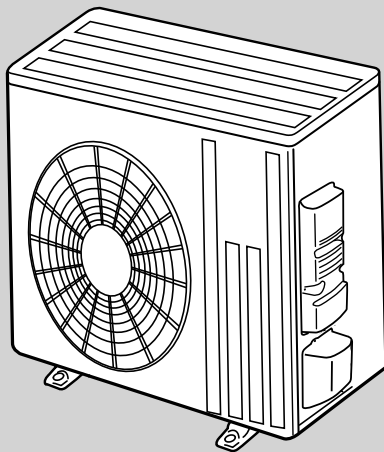
# OUTDOOR UNIT PARTS CATALOG

**No. OBB635**  
REVISED EDITION-C

## Models

**MUZ-GF60VE** - **E1**, **ER1**, **ET1**

**MUZ-GF71VE** - **E1**, **ER1**, **ET1**



## CONTENTS

1. RoHS PARTS LIST..... 2

**SERVICE MANUAL (OBH635)**

**NOTE:**  
RoHS compliant products have <G> mark on the spec name plate.



**Revision A:**

• MUZ-GF60VE-**[ER1]** and MUZ-GF71VE-**[ER1]** have been added.

**Revision B:**

• Part numbers of the inverter P.C. boards and the condenser net have been changed.

**Revision C:**

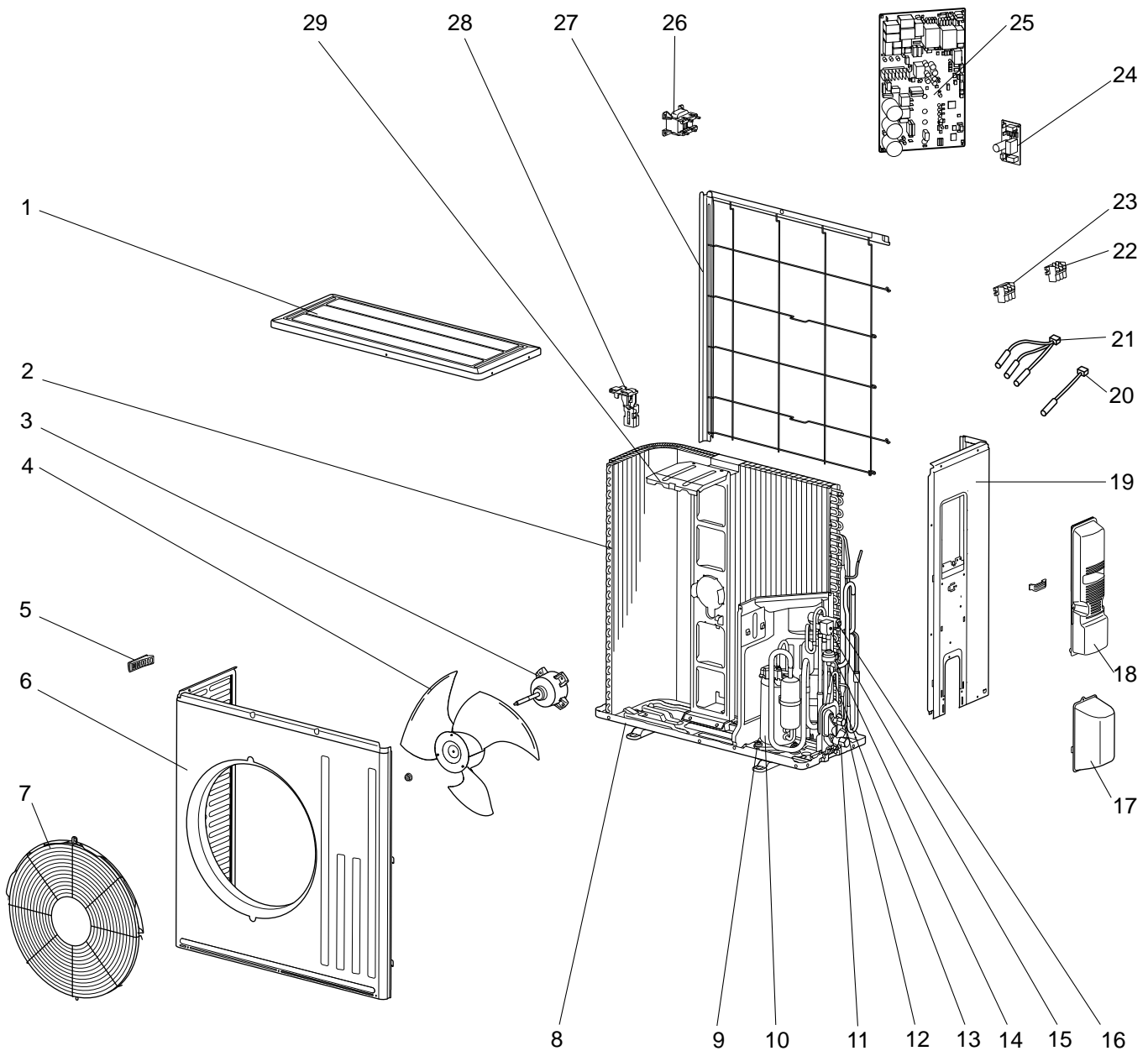
• MUZ-GF60VE-**[ET1]** and MUZ-GF71VE-**[ET1]** have been added.

**1**

**RoHS PARTS LIST**

**MUZ-GF60VE MUZ-GF71VE**

**1-1. OUTDOOR UNIT STRUCTURAL PARTS, ELECTRICAL PARTS AND FUNCTIONAL PARTS**



# RoHS PARTS LIST

## 1-1. OUTDOOR UNIT STRUCTURAL PARTS, ELECTRICAL PARTS AND FUNCTIONAL PARTS

Part numbers that are circled are not shown in the illustration.

No.	RoHS	Part No.	Part Name	Symbol in Wiring Diagram	Q'ty/unit						Remarks
					MUZ-GF						
					60VE- E1	60VE- ER1	60VE- ET1	71VE- E1	71VE- ER1	71VE- ET1	
1	G	E12 F28 297	TOP PANEL		1	1	1	1	1	1	
2	G	E12 J61 630	OUTDOOR HEAT EXCHANGER		1	1	1				
	G	E12 J62 630	OUTDOOR HEAT EXCHANGER				1	1	1		
3	G	E12 F28 301	OUTDOOR FAN MOTOR	MF	1	1	1	1	1	1	RC0J60-□□
4	G	E12 F28 501	PROPELLER FAN		1	1	1	1	1	1	
5	G	E12 817 009	HANDLE		1	1	1	1	1	1	
6	G	E12 F28 232	CABINET		1	1	1	1	1	1	
7	G	E12 F73 521	FAN GUARD		1	1	1	1	1	1	Including ice guard
8	G	E12 F28 290	BASE		1	1	1	1	1	1	
9	G	E12 C34 506	COMPRESSOR RUBBER SET		3	3	3	3	3	3	3 RUBBERS/SET
10	G	E12 F28 900	COMPRESSOR	MC	1	1	1				SNB130FGBMT
	G	E12 J40 900	COMPRESSOR	MC				1	1	1	SNB172FEKMT
11	G	E12 F28 661	STOP VALVE (GAS)		1	1	1	1	1	1	∅15.88
12	G	E12 F28 662	STOP VALVE (LIQUID)		1	1	1				∅6.35
	G	E12 F29 662	STOP VALVE (LIQUID)				1	1	1		∅9.52
13	G	E12 851 640	EXPANSION VALVE		1	1	1				
	G	E12 853 640	EXPANSION VALVE				1	1	1		
14	G	E12 F28 493	EXPANSION VALVE COIL	LEV	1	1	1	1	1	1	
15	G	E12 J61 490	R.V. COIL	21S4	1	1	1	1	1	1	
16	G	E12 J61 961	4-WAY VALVE		1	1	1	1	1	1	
17	G	E12 F28 650	VALVE COVER		1	1	1	1	1	1	
18	G	E12 J61 245	SERVICE PANEL		1	1	1	1	1	1	
19	G	E12 J52 233	BACK PANEL (OUT)		1	1	1	1	1	1	
20	G	E12 J61 309	AMBIENT TEMPERATURE THERMISTOR	RT65	1	1	1	1	1	1	
21	G	E12 F28 308	THERMISTOR SET	RT61, RT62, RT68	1	1	1	1	1	1	DEFROST, DISCHARGE, OUTDOOR HEAT EXCHANGER TEMPERATURE
22	G	E12 F29 374	TERMINAL BLOCK	TB1	1	1	1	1	1	1	3 P
23	G	E12 J61 374	TERMINAL BLOCK	TB2	1	1	1	1	1	1	3 P
24	G	E12 J61 445	RELAY P.C. BOARD		1	1	1	1	1	1	
25	G	E12 M92 451	INVERTER P.C. BOARD		1	1	1				Including heat sink and RT64
	G	E12 M93 451					1	1	1		
26	G	E12 F28 337	REACTOR	L	1	1	1	1	1	1	
27	G	E12 L87 523	CONDENSER NET		1	1	1	1	1	1	
28	G	E12 F28 079	THERMO HOLDER		1	1	1	1	1	1	
29	G	E12 F28 515	MOTOR SUPPORT		1	1	1	1	1	1	
③⑩	G	E12 527 936	CAPILLARY TUBE		1	1	1	1	1	1	∅4.0 × ∅2.4 × 100
③①	G	E12 F28 704	DRAIN SOCKET		1	1	1	1	1	1	

# **MITSUBISHI ELECTRIC CORPORATION**

HEAD OFFICE: TOKYO BLDG., 2-7-3, MARUNOUCHI, CHIYODA-KU, TOKYO 100-8310, JAPAN

© Copyright 2013 MITSUBISHI ELECTRIC CORPORATION  
Distributed in Aug. 2014. No. OBB635 REVISED EDITION-C  
Distributed in May 2014. No. OBB635 REVISED EDITION-B  
Distributed in Dec. 2013. No. OBB635 REVISED EDITION-A  
Distributed in Mar. 2013. No. OBB635  
Made in Japan

New publication, effective Aug. 2014  
Specifications are subject to change without notice.