

# **SERVICE PARTS LIST FOR MITSUBISHI ELECTRIC PACKAGED AIR-CONDITIONERS**

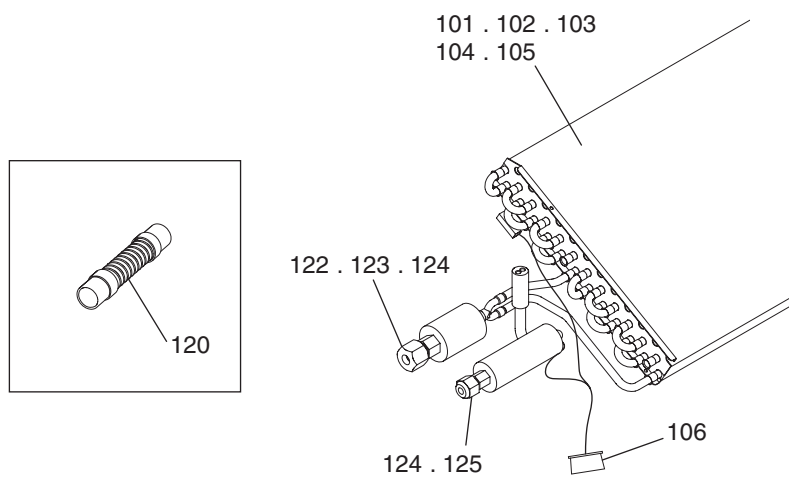
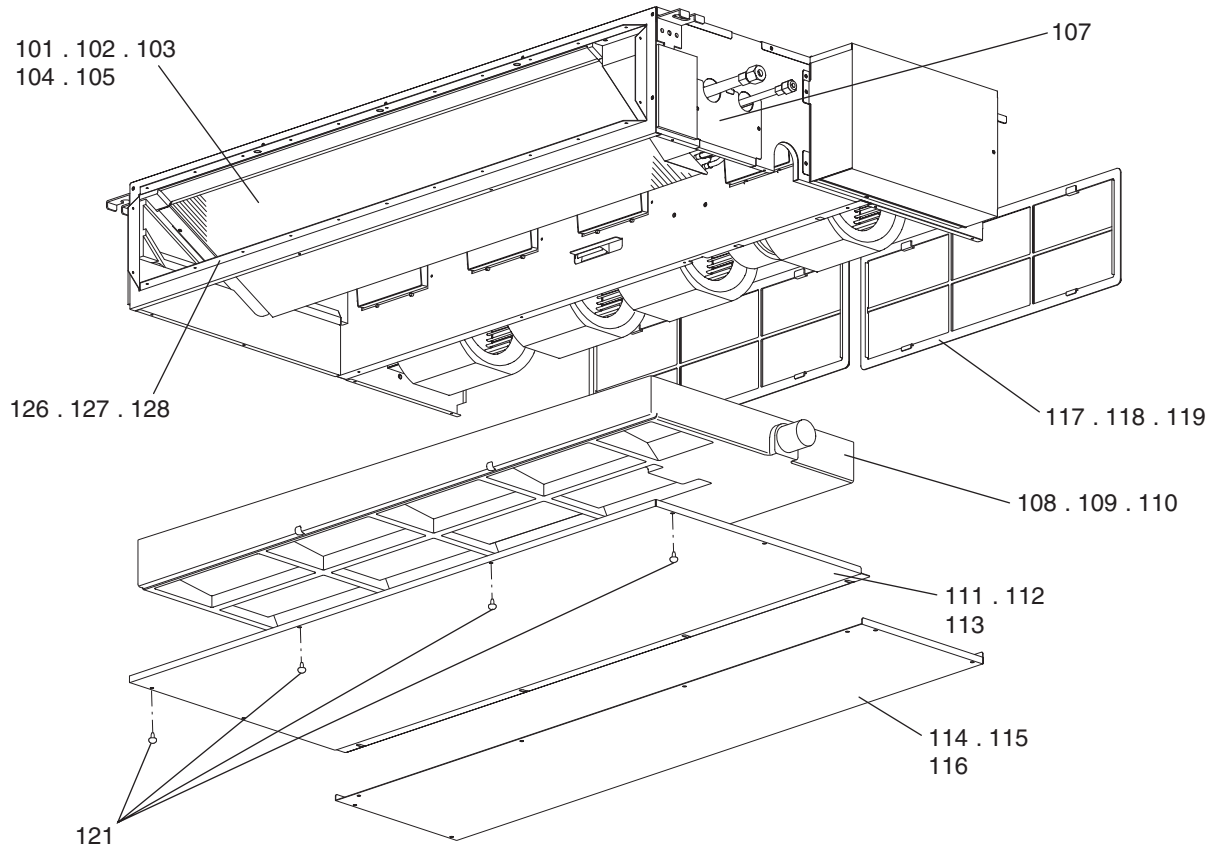
**Series : SEZ-KD·VAQR2.TH-ER**

**June 2014**  
**BWE014090**

<b>INDEX</b>
<b>SEZ-KD25VAQR2.TH-ER</b>
<b>SEZ-KD35VAQR2.TH-ER</b>
<b>SEZ-KD50VAQR2.TH-ER</b>
<b>SEZ-KD60VAQR2.TH-ER</b>
<b>SEZ-KD71VAQR2.TH-ER</b>

SEZ-KD25,KD35VAQR2.TH-ER  
SEZ-KD50,KD60,KD71VAQR2.TH-ER

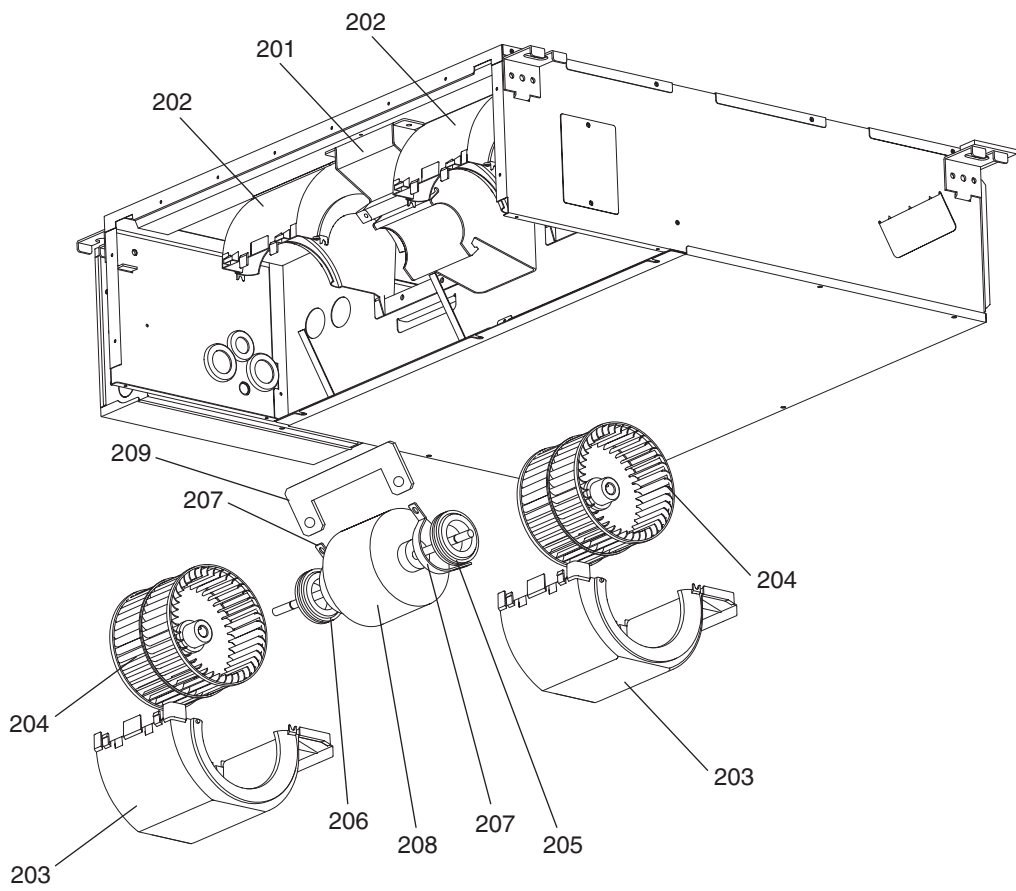
EXTERNAL PARTS



SEZ-KD25,KD35VAQR2.TH-ER  
 SEZ-KD50,KD60,KD71VAQR2.TH-ER

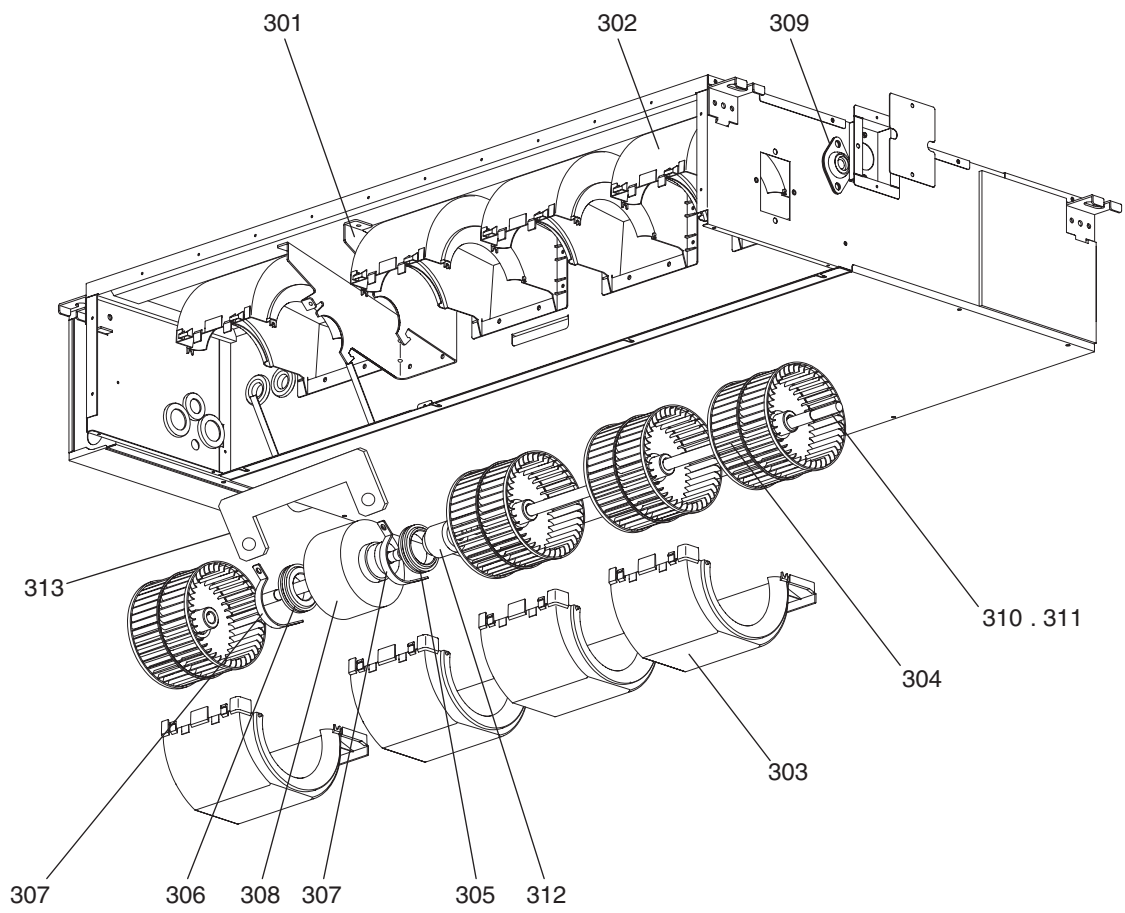
EXTERNAL PARTS

No.	Part No.	G : RoHS Apply Only W : RoHS Apply by Running Change	Part Name	Spec.	SEZ-KD25/VAQR2.TH-ER	SEZ-KD35/VAQR2.TH-ER	SEZ-KD50/VAQR2.TH-ER	SEZ-KD60/VAQR2.TH-ER	SEZ-KD71/VAQR2.TH-ER	Dwg. No.	Notes for the models	Revision info.
101	E17 319 620	G	Heat exchanger		1					KB00A073B01	<K25>	
102	E17 320 620	G	Heat exchanger			1				KB00A076B01	<K35>	
103	E17 A56 620	G	Heat exchanger				1			KB00A076B04	<K50>	
104	E17 A57 620	G	Heat exchanger					1		KB00A078B05	<K60>	
105	E17 A58 620	G	Heat exchanger						1	KB00A078B06	<K71>	
106	E17 319 307	G	Thermistor		1	1	1	1	1	RG71V202G01		
107	E17 319 690	G	Cover pipe assy		1	1	1	1	1	KB00H214G02		
108	E17 319 700	G	Drain pan assy S		1					KB00G775G19		
109	E17 320 700	G	Drain pan assy M			1	1			KB00G775G20		
110	E17 326 700	G	Drain pan assy L					1	1	KB00G775G21		
111	E17 319 717	G	Panel under assy 1 S		1					KB00G776G07		
112	E17 320 717	G	Panel under assy 1 M			1	1			KB00G776G08		
113	E17 326 717	G	Panel under assy 1 L					1	1	KB00G776G09		
114	E17 319 718	G	Panel under 2 S		1					KB02B455G02		
115	E17 320 718	G	Panel under 2 M			1	1			KB02B457G01		
116	E17 326 718	G	Panel under 2 L					1	1	KB02A071G02		
117	E17 319 100	G	Filter	15	1					KB35B272G02		
118	E17 320 100	G	Filter	40		1	1			KB35B207G02		
119	E17 326 100	G	Filter	63				2	2	KB35B208G02		
120	E17 319 702	G	Drain hose		1	1	1	1	1	KB27T150H02		
121	E17 319 250	G	Screw assy		3	4	4	4	4	KB12H389G01		
122	E17 A56 660	G	Nut flare	1/2			1			BG12S008H02		
123	E17 A57 660	G	Nut flare	5/8				1	1	BG12S826H03		
124	E17 319 660	G	Nut flare	3/8	1	1			1	Z211A143H06		
125	E17 320 660	G	Nut flare	1/4	1	1	1	1		Z211A143H01		
126	E17 319 800	G	Panel duct assy S		1					KB00G751G07		
127	E17 320 800	G	Panel duct assy M			1	1			KB00G751G08		
128	E17 326 800	G	Panel duct assy L					1	1	KB00G751G09		



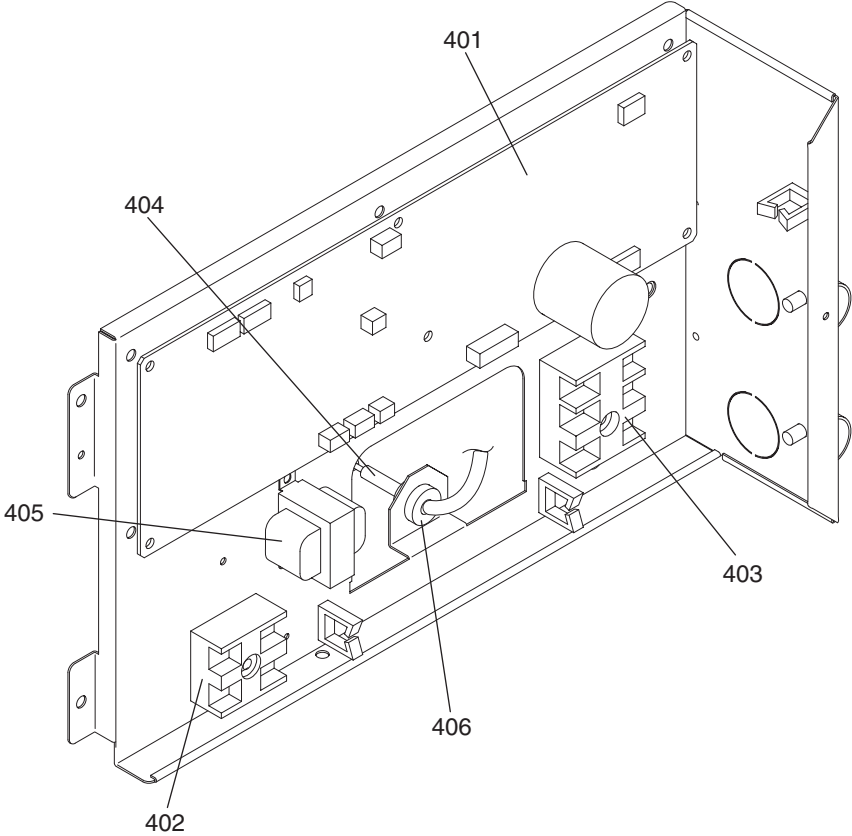
No.	Part No.	G : RoHS Apply Only W : RoHS Apply by Running Change		Spec.	SEZ-KD25/VAQR2.TH-ER	SEZ-KD35/VAQR2.TH-ER					Dwg. No.	Notes for the models	Revision info.
			Part Name										
201	E17 319 128	G	Motor base		1	1						KB02B464G02	
202	E17 319 129	G	Fan case assy A		2	2						KB00G773G03	
203	E17 320 129	G	Fan case assy B		2	2						KB00G774G03	
204	E17 319 500	G	Sirocco fan assy		2	2						KB00H341G01	
205	E17 319 505	G	Rubber mount L		1	1						KB31D833H03	
206	E17 320 505	G	Rubber mount R		1	1						KB31D833H04	
207	KB02H047G02	G	Attachment		2	2						KB02H047G02	
208	E17 783 300	G	Motor		1	1						KB61B503H03	
209	KB02U467G01	G	Attachment(M-LOCK)		1	1						KB02U467G01	

SEZ-KD50,KD60,KD71VAQR2.TH-ER BLOWER PARTS (2)



# SEZ-KD50,KD60,KD71VAQR2.TH-ER BLOWER PARTS (2)

No.	Part No.	G : RoHS Apply Only W: RoHS Apply by Running Change		Spec.	SEZ-KD50/VAQR2.TH-ER	SEZ-KD60/VAQR2.TH-ER	SEZ-KD71/VAQR2.TH-ER			Dwg. No.	Notes for the models	Revision info.
		Part Name										
301	E17 319 128	G	Motor base		1	1	1			KB02B464G02		
302	E17 319 129	G	Fan case assy A		3	4	4			KB00G773G03		
303	E17 320 129	G	Fan case assy B		3	4	4			KB00G774G03		
304	E17 319 500	G	Sirocco fan assy		3	4	4			KB00H341G01		
305	E17 319 505	G	Rubber mount L		1	1	1			KB31D833H03		
306	E17 320 505	G	Rubber Mount R		1	1	1			KB31D833H04		
307	KB02H047G02	G	Attachment		2	2	2			KB02H047G02		
308	E17 788 300	G	Motor		1	1	1			KB61B504H03		
309	E17 321 509	G	Bearing		1	1	1			KB58C793G01		
310	E17 321 499	G	Shaft	3FAN	1					KB10B485H03		
311	E17 326 499	G	Shaft	4FAN		1	1			KB10B486H03		
312	E17 321 518	G	Fan joint assy		1	1	1			KB00R475G01		
313	KB02U467G01	G	Attachment(M-LOCK)		1	1	1			KB02U467G01		





**SEZ-KD25,KD35VAQR2.TH-ER  
SEZ-KD50,KD60,KD71VAQR2.TH-ER**

**CONTROL BOX PARTS**

No.	Part No.	G : RoHS Apply Only W: RoHS Apply by Running Change		Spec.	SEZ-KD25VAQR2.TH-ER	SEZ-KD35VAQR2.TH-ER	SEZ-KD50VAQR2.TH-ER	SEZ-KD60VAQR2.TH-ER	SEZ-KD71VAQR2.TH-ER	Dwg. No.	Notes for the models	Revision info.
		Part Name										
401	E17 855 447	G	<b>Printed circuit assembly</b>	INDOOR	1	1	1	1	1	KE01D279B07		
402	E17 156 375	G	<b>Terminal block assy</b>		1	1	1	1	1	BG00R200G62		
403	E17 162 375	G	<b>Terminal block assy</b>		1	1	1	1	1	BH00C267G02		
404	E17 319 308	G	<b>Thermistor S</b>	250XAP	1	1	1	1	1	RG71J628H01		
405	E17 434 337	G	<b>Reactor</b>	CHF					1	KE65D277H01		
406	E17 319 013	G	<b>Bush</b>	SRB-R-2	1	1	1	1	1	KB32K138H01		

**mitsubishi electric corporation**  
HEAD OFFICE: TOKYO BLDG., 2-7-3, MARUNOUCHI, CHIYODA-KU, TOKYO 100-8310, JAPAN

---

BWE014090 (20140630)