

# PARTS CATALOG

## Series PCA Ceiling Suspended R407C/R410A

Indoor unit

[Model names]

[Service Ref.]

PCA-RP71HAQ

**PCA-RP71HAQ**

**PCA-RP71HAQ-ER**

PCA-RP125HAQ

**PCA-RP125HAQ**

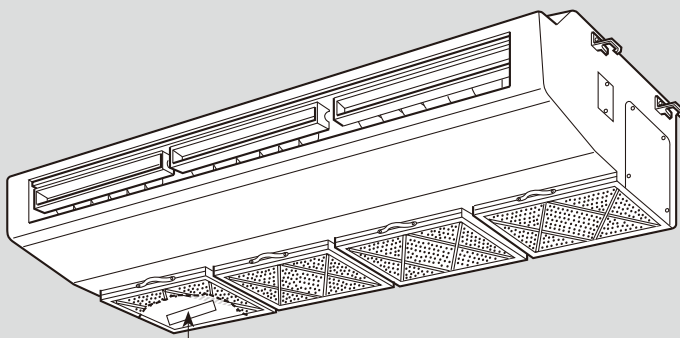
Revision:

- Added PCA-RP71HAQ-ER in REVISED EDITION-A.
- Some descriptions have been modified.

- Please void OCB492.

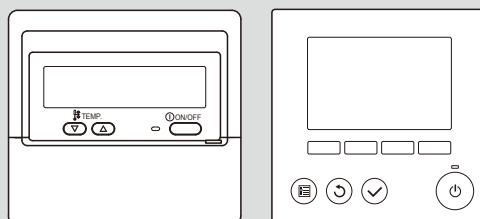
Note:

- RoHS compliant products have <G> mark on the spec name plate.
- For servicing of RoHS compliant products, refer to the RoHS Parts List.



INDOOR UNIT

Model name indication



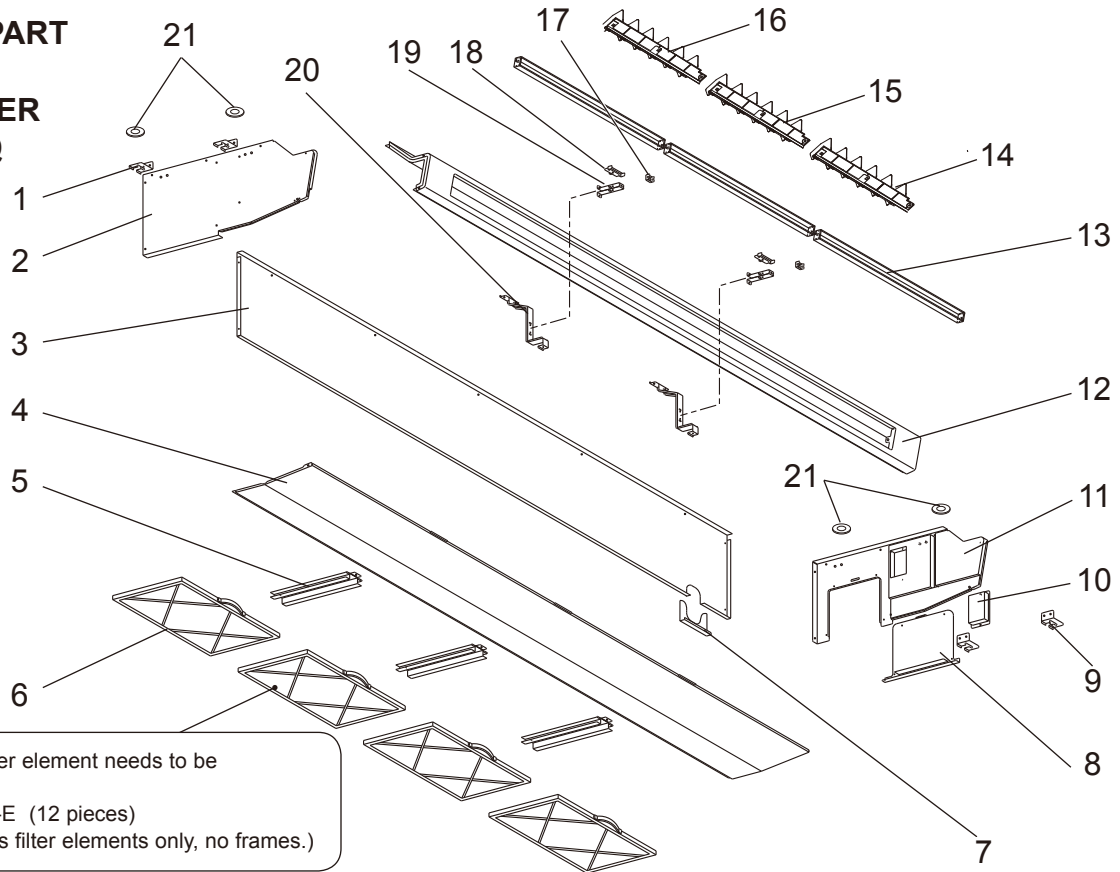
REMOTE CONTROLLER  
(Option)

### CONTENTS

1. RoHS PARTS LIST..... 2

**SERVICE MANUAL (OCH492)**

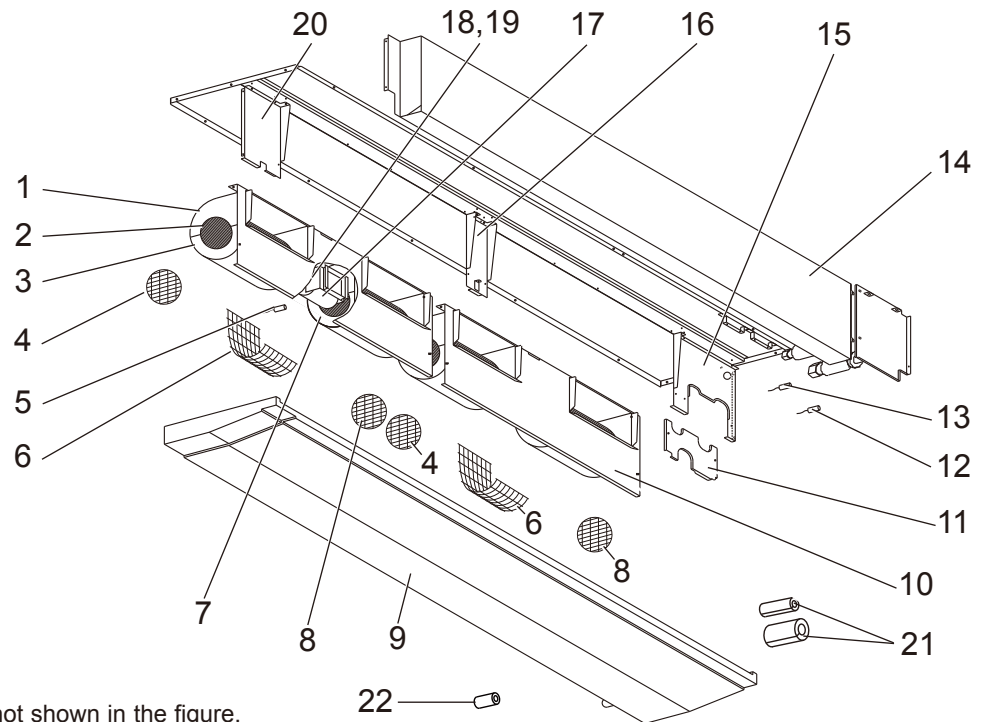
**STRUCTURAL PART**  
**PCA-RP71HAQ**  
**PCA-RP71HAQ-ER**  
**PCA-RP125HAQ**



No.	RoHS	Parts No.	Parts Name	Specification	Q'ty/unit			Remarks (Drawing No.)	Wiring Diagram Symbol
					PCA-RP-71HAQ	PCA-RP-71HAQ-ER	PCA-RP-125HAQ		
1	G	R01 14N 809	LEG-L		2	2	2		
2	G	R01 14N 662	SIDE PLATE-L		1	1	1		
3	G	T7W 14N 676	REAR PANEL		1		1		
	G	T7W 15N 676	REAR PANEL			1			
4	G	R01 14N 669	UNDER PANEL		1		1		
	G	R01 15N 669	UNDER PANEL			1			
5	G	R01 14N 503	FILTER RAIL		2	3	2		
6	G	R01 15N 500	OIL FILTER		3	4	3		
7	G	—	DRAIN HOSE SUPPORT		1	1	1	(BG00K145G02)	
8	G	R01 14N 667	SIDE COVER		1	1	1		
9	G	R01 14N 808	LEG-R		2	2	2		
10	G	R01 14N 668	SERVICE PANEL		1	1	1		
11	G	R01 14N 661	SIDE PLATE-R		1	1	1		
12	G	T7W 14N 651	FRONT PANEL		1		1		H2
	G	T7W 15N 651	FRONT PANEL			1			H2
13	G	R01 15N 002	VANE ASSY		2		2		
	G	R01 16N 002	VANE ASSY			3			
14	G	R01 14N 085	GUIDE VANE ASSY-6R		1	1	1		
15	G	R01 14N 087	GUIDE VANE ASSY-6C			1			
16	G	R01 14N 086	GUIDE VANE ASSY-6L		1	1	1		
17	G	R01 14N 533	VANE HOLDER		1	2	1		
18	G	—	VANE STOPPER		1	2	1	(BG25K262H04)	
19	G	—	VANE SUPPORT		1	2	1	(BG00K146G02)	
20	G	—	FRONT SUPPORT		1	2	1	(BG00T773G02)	
21	G	R01 E13 097	WASHERS SET		1	1	1	4pcs/set	

# RoHS PARTS LIST

FAN PARTS  
 PCA-RP71HAQ  
 PCA-RP71HAQ-ER  
 PCA-RP125HAQ



Parts numbers that are circled are not shown in the figure.

No.	RoHS	Parts No.	Parts Name	Specification	Q'ty/unit			Remarks (Drawing No.)	Wiring Diagram Symbol
					PCA-RP-HAQ 71	PCA-RP-HAQ-ER 125	71		
1	G	R01 14N 110	T. CASING ASSY		2		2		
	G	R01 15N 110	T. CASING ASSY			4			
2	G	R01 14N 114	SIROCCO FAN		2		2		
	G	R01 15N 114	SIROCCO FAN			4			
3	G	T7W 16N 111	UNDER CASING-L		1		1		
	G	T7W 17N 111	UNDER CASING-L			2			
4	G	T7W 18N 675	FAN GUARD-S(L)		1	2	1		
5	G	R01 15N 202	ROOM TEMPERATURE THERMISTOR		1	1	1		TH1
6	G	T7W 15N 675	FAN GUARD-L		1		1		
	G	T7W 16N 675	FAN GUARD-L			2			
7	G	T7W 14N 111	UNDER CASING-R		1		1		
	G	T7W 15N 111	UNDER CASING-R			2			
8	G	T7W 17N 675	FAN GUARD-S(R)		1	2	1		
9	G	R01 15N 529	DRAINPAN ASSY		1		1		
	G	R01 16N 529	DRAINPAN ASSY			1			
10	G	—	FAN PLATE		1		1	(BG00N756G19)	
	G	—	FAN PLATE			2		(BG00N756G18)	
11	G	—	PIPE SUPPORT		1	1	1	(BG02T500H04)	
12	G	R01 16N 202	PIPE TEMPERATURE THERMISTOR		1	1	1		TH2
13	G	R01 17N 202	CONDENSER/EVAPORATOR TEMPERATURE THERMISTOR		1	1	1		TH5
	G	R01 J68 480	HEAT EXCHANGER		1		1		
14	G	T7W H55 480	HEAT EXCHANGER			1			
	G	—	HEAT EXCHANGER			1			
15	G	—	FAN PLATE SUPPORT-R		1	1	1	(BG00N893G17)	
16	G	—	FAN PLATE SUPPORT-C		1	1	1	(BG00N893G14)	
17	G	T7W 14N 762	FAN MOTOR	PA6V40-CC	1		1		MF1
	G	T7W 15N 762	FAN MOTOR	PA4V80-CC		2			MF1,2
18	G	R01 14N 130	MOTOR LEG		1	2	1		
19	G	R01 14N 126	PIECES FOR MOTOR		1	2	1	LEFT&RIGHT	
20	G	—	FAN PLATE SUPPORT-L		1	1	1	(BG00N893G13)	
21	G	R01 14N 521	PIPE COVER		1	1	1		
22	G	R01 14N 072	DRAIN HOSE & COVER		1	1	1		
(23)	G	R01 14N 105	RUBBER MOUNT		2	4	2		
(24)	G	—	HOLDER		1	1	1	(BC25G432H01)	

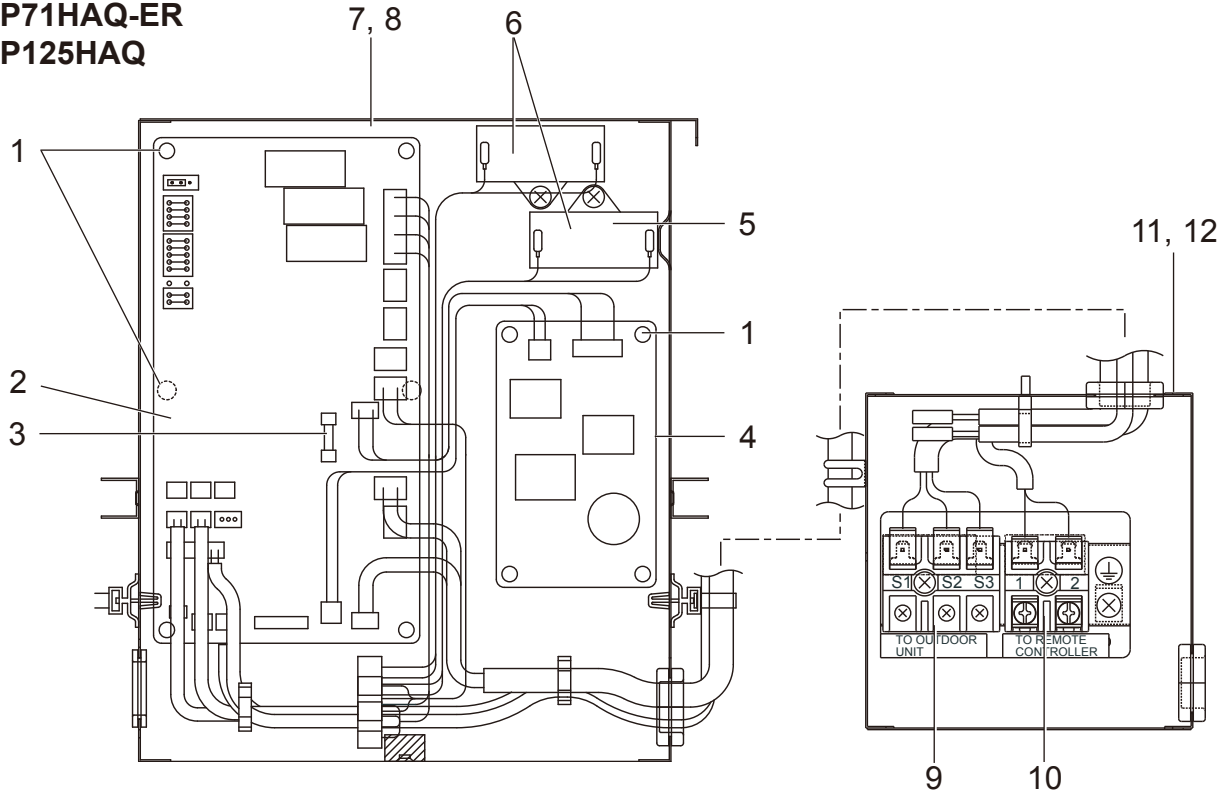
# RoHS PARTS LIST

## ELECTRICAL PARTS

PCA-RP71HAQ

PCA-RP71HAQ-ER

PCA-RP125HAQ



No.	RoHS	Parts No.	Parts Name	Specification	Q'ty/unit			Remarks (Drawing No.)	Wiring Diagram Symbol
					PCA-RP-HAQ		PCA-RP-HAQ-ER		
					71	125	71		
1	G	R01 20J 054	SUPPORT & SPACER		8	8	8		
2	G	T7W E95 310	CONTROLLER BOARD		1	1	1		I.B
3	G	R01 E06 239	FUSE	250V 6.3A	1	1	1		FUSE
4	G	R01 E38 313	POWER BOARD		1	1	1		P.B
5	G	R01 14N 255	RUN CAPACITOR	2.5 $\mu$ F, 440V	1		1		C1
6	G	R01 E12 255	RUN CAPACITOR	3 $\mu$ F, 440V		2			C1,C2
7	G	—	CONTROL BOX COVER		1	1	1	(BG02N713H07)	
8	G	—	CONTROL BOX DWG		1	1	1	(BG00N800G24)	
9	G	R01 E20 246	TERMINAL BLOCK	3P(S1, S2, S3)	1	1	1		TB4
10	G	R01 E48 246	TERMINAL BLOCK	2P(1, 2)	1	1	1		TB5
11	G	—	TERMINAL BOX DWG		1	1	1	(BG00T759G30)	
12	G	—	TERMINAL BLOCK COVER		1	1	1	(RG00L681G11)	

## MITSUBISHI ELECTRIC CORPORATION

HEAD OFFICE : TOKYO BLDG., 2-7-3, MARUNOUCHI, CHIYODA-KU, TOKYO 100-8310, JAPAN