

PARTS CATALOG

R410A

Outdoor unit
[Model Name]

PUAZ-SHW80VHA

PUAZ-SHW112VHA

PUAZ-SHW112YHA

PUAZ-SHW140YHA

Salt proof model

PUAZ-SHW80VHA-BS

PUAZ-SHW112VHA-BS

PUAZ-SHW112YHA-BS

PUAZ-SHW140YHA-BS

[Service Ref.]

PUAZ-SHW80VHA

PUAZ-SHW80VHAR3.UK

PUAZ-SHW112VHA

PUAZ-SHW112VHAR3.UK

PUAZ-SHW112YHA

PUAZ-SHW112YHAR2.UK

PUAZ-SHW140YHA

PUAZ-SHW140YHAR2.UK

PUAZ-SHW80VHAR2-BS.UK

PUAZ-SHW80VHAR3-BS.UK

PUAZ-SHW112VHAR2-BS.UK

PUAZ-SHW112VHAR3-BS.UK

PUAZ-SHW112YHAR2-BS.UK

PUAZ-SHW112YHAR3-BS.UK

PUAZ-SHW140YHAR2-BS.UK

PUAZ-SHW140YHAR3-BS.UK

PUAZ-SHW80VHAR2.UK

PUAZ-SHW112VHAR2.UK

PUAZ-SHW112YHAR1

PUAZ-SHW112YHAR3.UK

PUAZ-SHW140YHAR1

PUAZ-SHW140YHAR3.UK

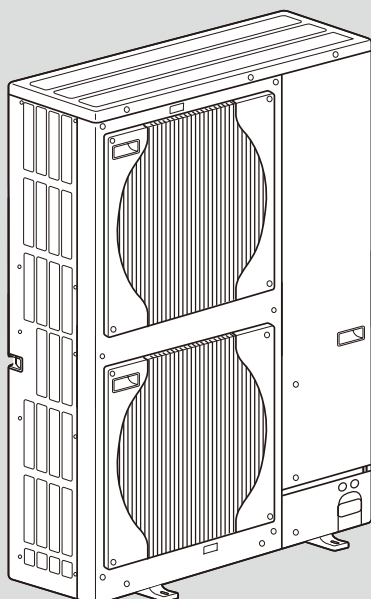
Revision:

- Added
 PUAZ-SHW80VHAR3.UK,
 PUAZ-SHW80VHAR3-BS.UK,
 PUAZ-SHW112VHAR3.UK,
 PUAZ-SHW112VHAR3-BS.UK,
 PUAZ-SHW112YHAR3.UK,
 PUAZ-SHW112YHAR3-BS.UK,
 PUAZ-SHW140YHAR3.UK,
 and
 PUAZ-SHW140YHAR3-BS.UK
 in REVISED EDITION-C.
- Some descriptions have
 been modified.

- Please void OCB526
 REVISED EDITION-B.

Note:

- This manual describes only
 service data of the outdoor
 units.
- RoHS compliant products
 have <G> mark on the spec
 name plate.


CONTENTS

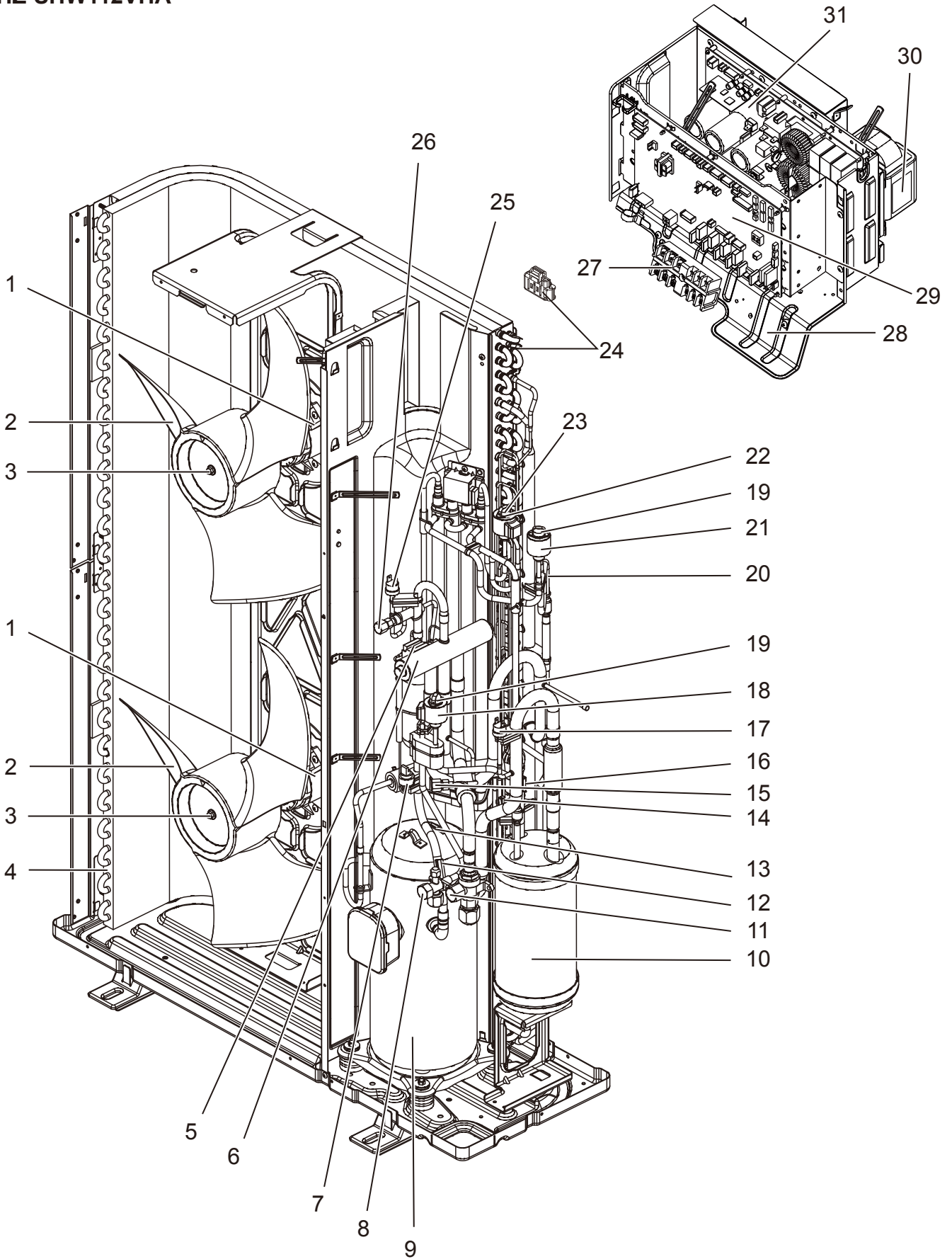
1. RoHS PARTS LIST.....	2
2. OPTIONAL PARTS.....	18

SERVICE MANUAL (OCH526B)

FUNCTIONAL AND ELECTRICAL PARTS

PUHZ-SHW80VHA

PUHZ-SHW112VHA



RoHS PARTS LIST

Parts numbers that are circled are not shown in the figure.

No.	RoHS	Part No.	Part Name	Specification	Q'ty/unit		Remarks (Drawing No.)	Wiring Diagram Symbol
					PUHZ-SHW-VHA			
					80	112		
1	G	R01 E50 221	FAN MOTOR		2	2		MF1,2
2	G	R01 E06 115	PROPELLER FAN		2	2		
3	G	R01 E09 097	NUT		2	2		
4	G	T7W E70 408	HEAT EXCHANGER		1	1		
5	G	T7W E41 242	SOLENOID COIL<4-WAY VALVE>		1	1		21S4
6	G	R01 E15 403	4-WAY VALVE		1	1		
7	G	R01 E07 208	HIGH PRESSURE SENSOR		1	1		63HS
8	G	R01 E13 410	STOP VALVE	3/8 (LIQUID)	1	1		
9	G	T97 422 077	COMPRESSOR	ANB33FJMMT	1	1	Including RUBBER MOUNTS	MC
10	G	R01 E60 440	POWER RECEIVER		1	1		
11	G	R01 E12 410	BALL VALVE	5/8 (GAS)	1	1		
12	G	R01 E22 201	THERMISTOR (DISCHARGE)		1	1		TH4
13	G	R01 H90 202	THERMISTOR (COMP. SURFACE)		1	1		TH34
14	G	R01 H00 202	THERMISTOR (LIQUID)		1	1		TH3
15	G	R01 E17 413	CHARGE PLUG		1	1		
16	G	R01 H32 202	THERMISTOR (SUCTION)		1	1		TH32
17	G	R01 E00 209	LOW PRESSURE SWITCH		1	1		63L
18	G	R01 H08 242	LINEAR EXPANSION VALVE COIL		1	1	Connector:Red	LEV-B
19	G	T7W E27 401	LINEAR EXPANSION VALVE		2	2	for LEV-A,B	
20	G	R01 H79 202	THERMISTOR (REF.CHECK)		1	1		TH33
21	G	R01 H09 242	LINEAR EXPANSION VALVE COIL		1	1	Connector:White	LEV-A
22	G	R01 H10 242	LINEAR EXPANSION VALVE COIL		1	1	Connector:Blue	LEV-C
23	G	R01 H22 401	LINEAR EXPANSION VALVE		1	1	for LEV-C	
24	G	R01 E94 202	THERMISTOR (2-PHASEPIPE,AMBIENT)		1	1		TH6,7
25	G	R01 E06 208	HIGH PRESSURE SWITCH		1	1		63H
26	G	R01 E25 413	CHARGE PLUG		1	1		
27	G	T7W E29 716	TERMINAL BLOCK	6P(L,N,⊕,S1,S2,S3)	1	1		TB1
28	G	—	ELECTRICAL PARTS BOX		1	1	(BK00B055G92)	
29	G	T7W F18 315	CONTROLLER CIRCUIT BOARD		1	1		C.B.
30	G	T7W E18 259	REACTOR		1	1		DCL
31	G	T7W E77 313	POWER CIRCUIT BOARD		1	1		P.B.
③②	G	R01 E14 239	FUSE	250V 6.3A	4	4		F1,2,3,4
③③	G	R01 E20 254	MAIN SMOOTHING CAPACITOR		1	1		CB

RoHS PARTS LIST

FUNCTIONAL AND ELECTRICAL PARTS

PUHZ-SHW80VHAR2.UK

PUHZ-SHW80VHAR3.UK

PUHZ-SHW112VHAR2.UK

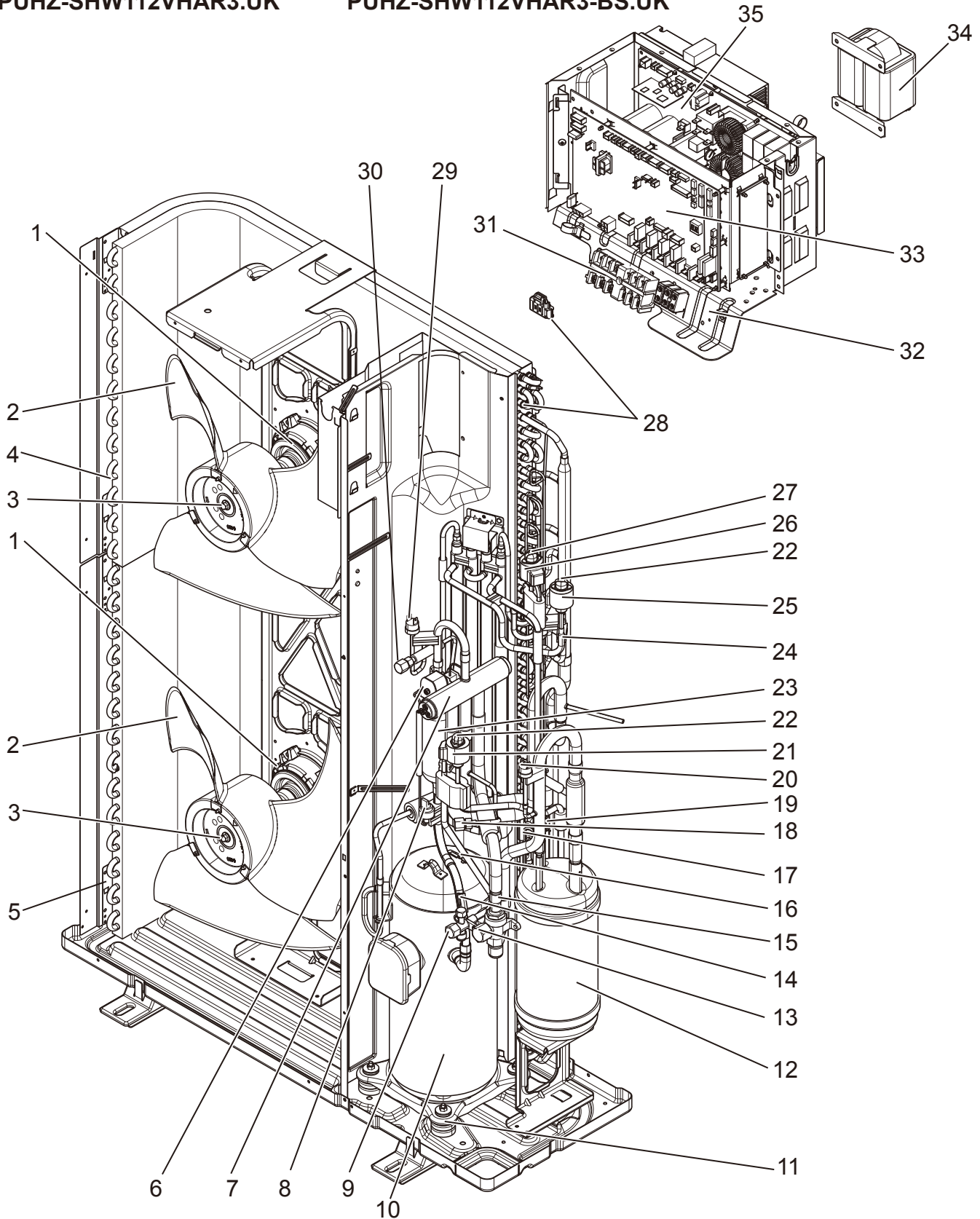
PUHZ-SHW112VHAR3.UK

PUHZ-SHW80VHAR2-BS.UK

PUHZ-SHW80VHAR3-BS.UK

PUHZ-SHW112VHAR2-BS.UK

PUHZ-SHW112VHAR3-BS.UK



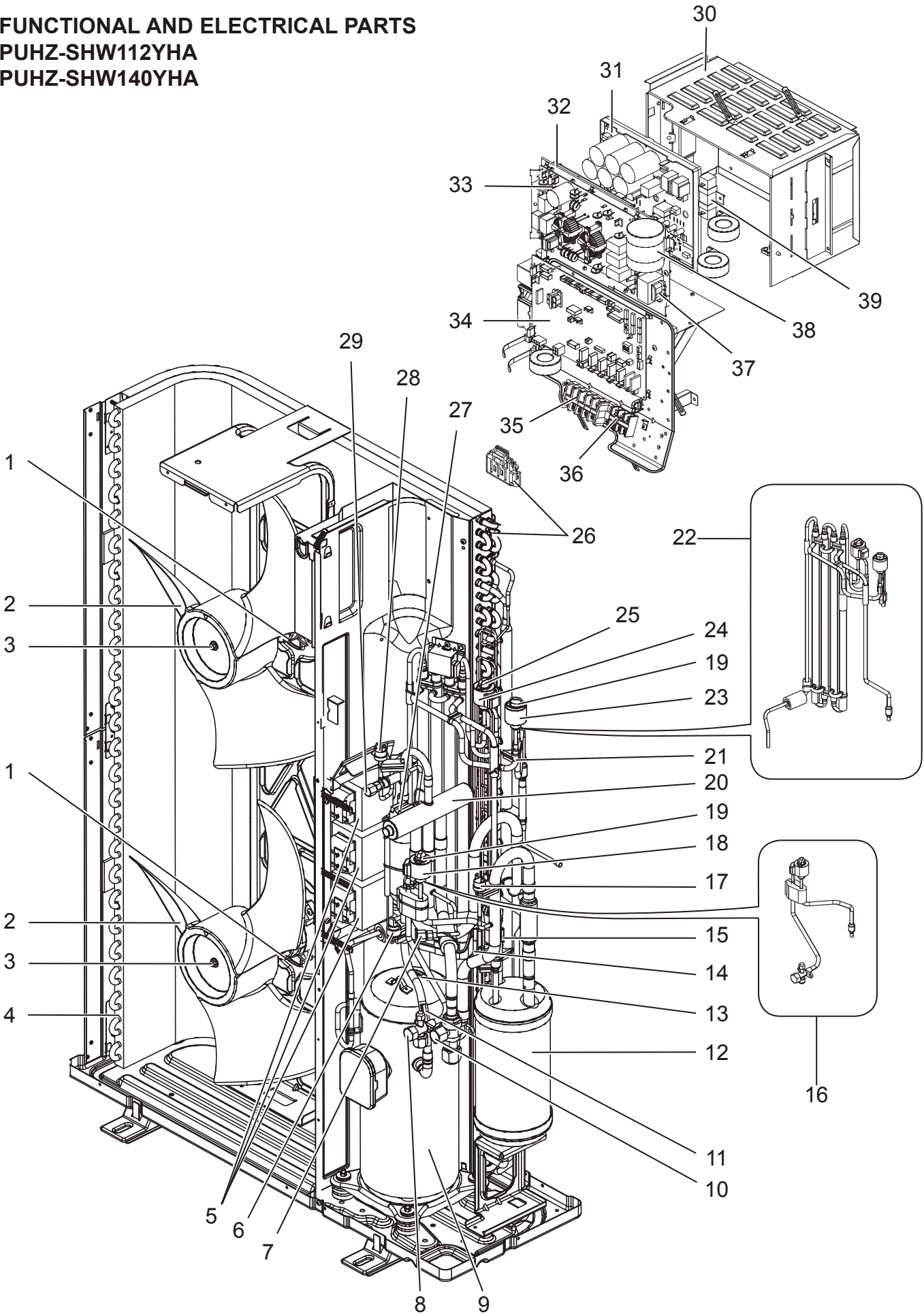
RoHS PARTS LIST

Parts numbers that are circled are not shown in the figure.

No	RoHS	Parts No.	Parts Name	Specification	Q'ty/unit								Remarks (Drawing No.)	Wiring Diagram Symbol
					PUHZ-SHW80VHAR2.UK	PUHZ-SHW80VHAR2-BS.UK	PUHZ-SHW112VHAR2.UK	PUHZ-SHW112VHAR2-BS.UK	PUHZ-SHW80VHAR3.UK	PUHZ-SHW80VHAR3-BS.UK	PUHZ-SHW112VHAR3.UK	PUHZ-SHW112VHAR3-BS.UK		
1	G	S70 E30 763	FAN MOTOR		2	2	2	2	2	2	2	2		MF1,2
2	G	S70 E30 115	PROPELLER FAN		2	2	2	2	2	2	2	2		
3	G	S70 K01 097	NUT		2	2	2	2	2	2	2	2		
4	G	S70 E55 408	HEAT EXCHANGER (TOP)		1	1	1	1	1	1	1	1		
5	G	S70 E95 408	HEAT EXCHANGER (UNDER)		1	1	1	1	1	1	1	1		
6	G	S70 E06 242	SOLENOID COIL <4WAY COIL>		1	1	1	1	1	1	1	1		21S4
7	G	S70 E05 403	REVERSING VALVE (4-WAY VALVE)		1	1	1	1	1	1	1	1		
8	G	S70 E11 208	HIGH PRESSURE SENSOR		1	1	1	1	1	1	1	1		63HS
9	G	S70 600 418	STOP VALVE (LIQUID)	3/8'	1	1	1	1	1	1	1	1		
10	G	S70 E50 400	COMPRESSOR	ANB33FJRMT	1	1	1	1	1	1	1	1		MC
11	G	S70 E02 004	RUBBER MOUNT		4	4	4	4	4	4	4	4		
12	G	S70 E75 440	POWER RECEIVER(ACCUMULATOR)		1	1	1	1	1	1	1	1		
13	G	S70 E06 411	BALL VALVE (GAS)	5/8'	1	1	1	1	1	1	1	1		
14	G	S70 E61 202	THERMISTOR (DISCHARGE)	D8	1	1	1	1	1	1	1	1		TH4
15	G	S70 36L 450	STRAINER	#50	1	1	1	1	1	1	1	1		
16	G	S70 E53 202	THERMISTOR (COMP.SURFACE)		1	1	1	1	1	1	1	1		TH34
17	G	S70 E58 202	THERMISTOR-H(LIQUID)	1050 XAP	1	1	1	1	1	1	1	1		TH3
18	G	S70 E02 413	CHARGE PLUG		1	1	1	1	1	1	1	1		
19	G	S70 E65 202	THERMISTOR(SUCTION)	2/G1150XA	1	1	1	1	1	1	1	1		TH32
20	G	S70 H20 209	LOW PRESSURE SWITCH		1	1	1	1	1	1	1	1		63L
21	G	S70 E87 402	LINEAR EXPANSION VALVE COIL	UKV-A211	1	1	1	1	1	1	1	1	Connector: Red	LEV-B
22	G	S70 E92 401	LINEAR EXPANSION VALVE	UKV32D135	2	2	2	2	2	2	2	2	FOR LEV-A, B	
23	G	S70 42H 467	MUFFLER		1	1	1	1	1	1	1	1		
24	G	S70 E63 202	THERMISTOR	1000-3P	1	1	1	1	1	1	1	1		TH33
25	G	S70 E88 402	LINEAR EXPANSION VALVE COIL	UKV-A212	1	1	1	1	1	1	1	1	Connector: White	LEV-A
26	G	S70 E99 402	LINEAR EXPANSION VALVE COIL	UKV	1	1	1	1	1	1	1	1	Connector: Blue	LEV-C
27	G	S70 E80 401	EXPANSION VALVE	UKV-18D35	1	1	1	1	1	1	1	1	FOR LEV-C	
28	G	S70 E31 202	THERMISTOR-W (OUTDOOR, 2-PHASE PIPE, AMBIENT)	850/1050	1	1	1	1	1	1	1	1		TH6,7
29	G	S70 E10 208	HIGH PRESSURE SWITCH	OFF 4.14MPA	1	1	1	1	1	1	1	1		63H
30	G	S70 E03 413	CHARGE PLUG		1	1	1	1	1	1	1	1		
31	G	S70 C20 515	TERMINAL BLOCK	6P (L,N,0,S1,S2,S3)	1	1	1	1	1	1	1	1		TB1
32	G	S70 R84 316	COMPLETE CONTROL BOX ASSY		1	1			1	1				
	G	S70 R81 316	COMPLETE CONTROL BOX ASSY				1	1			1	1		
33	G	S70 E70 315	CONTROLLER BOARD		1	1	1	1						C.B
	G	S70 E75 315	CONTROLLER BOARD						1	1	1	1		C.B
34	G	S70 K04 259	REACTOR(DCL)		1	1	1	1	1	1	1	1		DCL
35	G	S70 E30 313	POWER BOARD		1	1	1	1	1	1	1	1		P.B
36	G	S70 E05 255	MAIN SMOOTHING CAPACITOR		1	1	1	1	1	1	1	1		CB

RoHS PARTS LIST

FUNCTIONAL AND ELECTRICAL PARTS
 PUHZ-SHW112YHA
 PUHZ-SHW140YHA



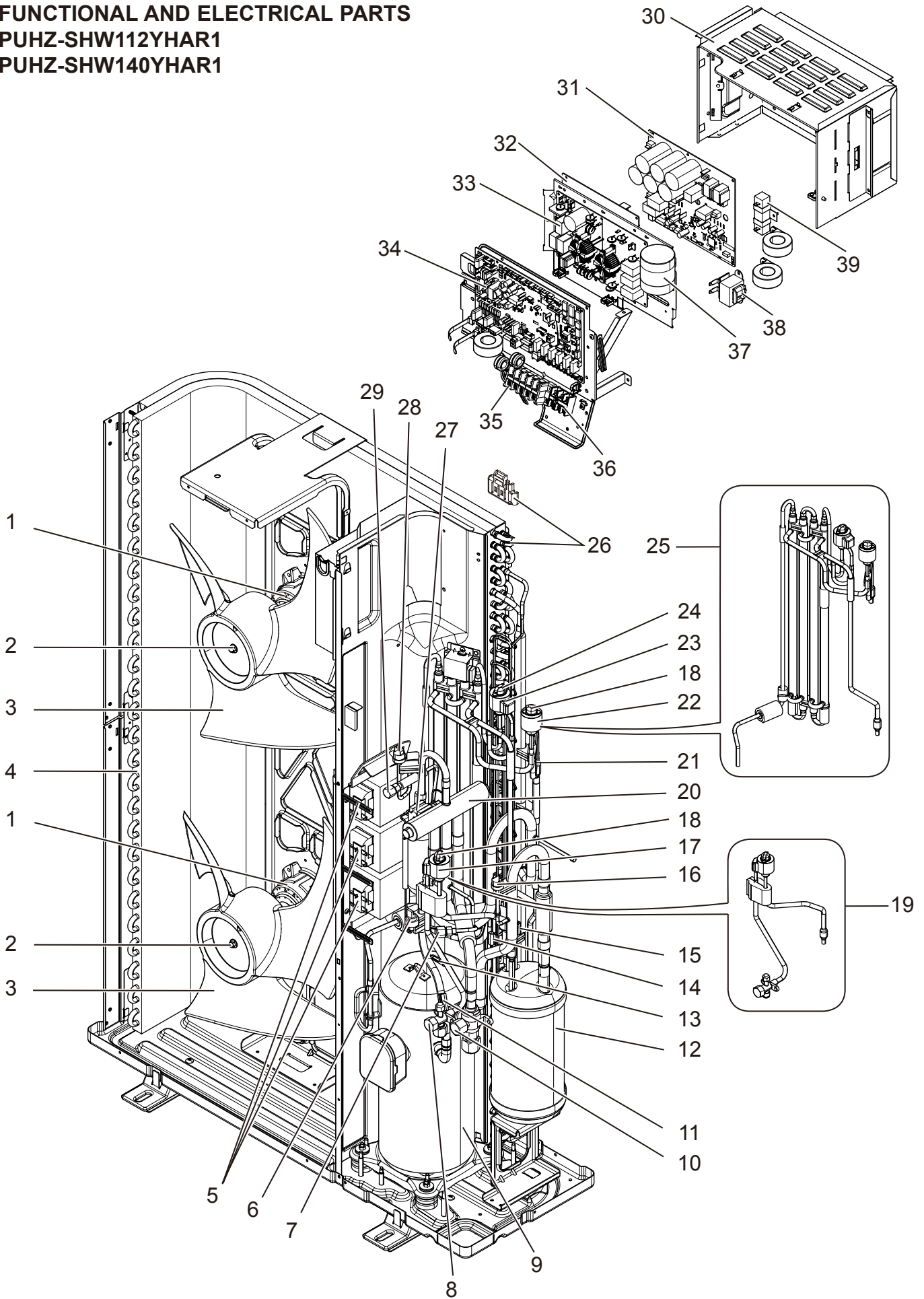
RoHS PARTS LIST

Parts numbers that are circled are not shown in the figure.

No.	RoHS	Part No.	Part Name	Specification	Q'ty/unit		Remarks (Drawing No.)	Wiring Diagram Symbol
					PUHZ-SHW·YHA			
					112	140		
1	G	R01 E50 221	FAN MOTOR		2	2		MF1,2
2	G	R01 E06 115	PROPELLER FAN		2	2		
3	G	R01 E09 097	NUT		2	2		
4	G	T7W E70 408	HEAT EXCHANGER		1	1		
5	G	T7W E12 259	REACTOR		3	3		ACL1,2,3
6	G	R01 E07 208	HIGH PRESSURE SENSOR		1	1		63HS
7	G	R01 E17 413	CHARGE PLUG		1	1		
8	G	R01 E13 410	STOP VALVE	3/8 (LIQUID)	1	1		
9	G	T97 421 077	COMPRESSOR	ANB33FJLMT	1	1	Including RUBBER MOUNTS	MC
10	G	R01 E12 410	BALL VALVE	5/8 (GAS)	1	1		
11	G	R01 E22 201	THERMISTOR (DISCHARGE)		1	1		TH4
12	G	R01 E60 440	POWER RECEIVER		1	1		
13	G	R01 H90 202	THERMISTOR(COMP. SURFACE)		1	1		TH34
14	G	R01 H00 202	THERMISTOR (LIQUID)		1	1		TH3
15	G	R01 H17 202	THERMISTOR (SUCTION)		1	1		TH32
16	G	T7W E38 401	LEV ASSY		1	1	Including coil for LEV-B & STV	
17	G	R01 E00 209	LOW PRESSURE SWITCH		1	1		63L
18	G	R01 H08 242	LINEAR EXPANSION VALVE COIL		1	1	Connector:Red	LEV-B
19	G	T7W E27 401	LINEAR EXPANSION VALVE		2	2	for LEV-A,B	
20	G	R01 E15 403	4-WAY VALVE		1	1		
21	G	R01 H79 202	THERMISTOR (REF. CHECK)		1	1		TH33
22	G	T7W E39 401	LEV ASSY HIC		1	1	Including coil for LEV-A,C	
23	G	R01 H09 242	LINEAR EXPANSION VALVE COIL		1	1	Connector:White	LEV-A
24	G	R01 H10 242	LINEAR EXPANSION VALVE COIL		1	1	Connector:Blue	LEV-C
25	G	R01 H22 401	LINEAR EXPANSION VALVE		1	1	for LEV-C	
26	G	R01 H01 202	THERMISTOR (2-PHASE PIPE, AMBIENT)		1	1		TH6,7
27	G	T7W E39 242	SOLENOID COIL <4-WAY VALVE>		1	1		21S4
28	G	R01 E06 208	HIGH PRESSURE SWITCH		1	1		63H
29	G	R01 E25 413	CHARGE PLUG		1	1		
30	G	—	ELECTRICAL PARTS BOX		1	1	(BK00C410G17)	
31	G	T7W A10 323	POWER CIRCUIT BOARD		1	1		P.B.
32	G	T7W E75 310	CONVERTER CIRCUIT BOARD		1	1		CONV.B.
33	G	T7W E28 346	NOISE FILTER CIRCUIT BOARD		1	1		N.F.
34	G	T7W F19 315	CONTROLLER CIRCUIT BOARD		1	1		C.B.
35	G	T7W E30 716	TERMINAL BLOCK	5P (L1,L2,L3,N,⊕)	1	1		TB1
36	G	R01 E19 246	TERMINAL BLOCK	3P (S1,S2,S3)	1	1		TB2
37	G	R01 E31 259	REACTOR		1	1		ACL4
38	G	T7W E10 254	CAPACITOR		1	1		CK
39	G	R01 E10 233	RESISTOR		1	1		RS
40	G	R01 E14 239	FUSE	250V 6.3A	4	4		F1,2,3,4
41	G	R01 E14 510	LEAD ASSY COMP		1	1		
42	G	R01 H93 202	THERMISTOR (HEAT SINK)		1	1		TH8

RoHS PARTS LIST

FUNCTIONAL AND ELECTRICAL PARTS
 PUHZ-SHW112YHAR1
 PUHZ-SHW140YHAR1



RoHS PARTS LIST

Parts numbers that are circled are not shown in the figure.

No.	RoHS	Part No.	Part Name	Specification	Q'ty/unit		Remarks (Drawing No.)	Wiring Diagram Symbol
					PUHZ-SHW-YHAR1			
					112	140		
1	G	R01 E50 221	FAN MOTOR		2	2		MF1,2
2	G	R01 E09 097	NUT		2	2		
3	G	R01 E06 115	PROPELLER FAN		2	2		
4	G	T7W E70 408	HEAT EXCHANGER		1	1		
5	G	T7W E12 259	REACTOR		3	3		ACL1,2,3
6	G	R01 E07 208	HIGH PRESSURE SENSOR		1	1		63HS
7	G	R01 E17 413	CHARGE PLUG		1	1		
8	G	R01 E13 410	STOP VALVE	3/8 (LIQUID)	1	1		
9	G	T97 421 077	COMPRESSOR	ANB33FJLMT	1	1	Including RUBBER MOUNTS	MC
10	G	R01 E12 410	BALL VALVE	5/8 (GAS)	1	1		
11	G	R01 E22 201	THERMISTOR (DISCHARGE)		1	1		TH4
12	G	R01 E60 440	POWER RECEIVER		1	1		
13	G	R01 H90 202	THERMISTOR(COMP. SURFACE)		1	1		TH34
14	G	R01 H00 202	THERMISTOR (LIQUID)		1	1		TH3
15	G	R01 H17 202	THERMISTOR (SUCTION)		1	1		TH32
16	G	R01 E00 209	LOW PRESSURE SWITCH		1	1		63L
17	G	R01 H08 242	LINEAR EXPANSION VALVE COIL		1	1	Connector:Red	LEV-B
18	G	T7W E27 401	LINEAR EXPANSION VALVE		2	2	for LEV-A,B	
19	G	T7W E38 401	LEV ASSY		1	1	Including coil for LEV-B & STV	
20	G	R01 E15 403	4-WAY VALVE		1	1		
21	G	R01 H79 202	THERMISTOR (REF. CHECK)		1	1		TH33
22	G	R01 H09 242	LINEAR EXPANSION VALVE COIL		1	1	Connector:White	LEV-A
23	G	R01 H10 242	LINEAR EXPANSION VALVE COIL		1	1	Connector:Blue	LEV-C
24	G	R01 H22 401	LINEAR EXPANSION VALVE		1	1	for LEV-C	
25	G	T7W E39 401	LEV ASSY HIC		1	1	Including coil for LEV-A,C	
26	G	R01 H01 202	THERMISTOR (2-PHASE PIPE, AMBIENT)		1	1		TH6,7
27	G	T7W E39 242	SOLENOID COIL <4-WAY VALVE>		1	1		21S4
28	G	R01 E06 208	HIGH PRESSURE SWITCH		1	1		63H
29	G	R01 E25 413	CHARGE PLUG		1	1		
30	G	—	ELECTRICAL PARTS BOX		1	1	(BK00C410G17)	
31	G	T7W A20 323	POWER CIRCUIT BOARD		1	1		P.B.
32	G	T7W E75 310	CONVERTER CIRCUIT BOARD		1	1		CONV.B.
33	G	T7W E28 346	NOISE FILTER CIRCUIT BOARD		1	1		N.F.
34	G	T7W F19 315	CONTROLLER CIRCUIT BOARD		1	1		C.B.
35	G	T7W E30 716	TERMINAL BLOCK	5P (L1,L2,L3,N,⊕)	1	1		TB1
36	G	R01 E19 246	TERMINAL BLOCK	3P (S1,S2,S3)	1	1		TB2
37	G	T7W E10 254	CAPACITOR		1	1		CK
38	G	R01 E31 259	REACTOR		1	1		ACL4
39	G	R01 E10 233	RESISTOR		1	1		RS
40	G	R01 E14 510	LEAD ASSY COMP		1	1		
41	G	R01 E14 239	FUSE	250V 6.3A	4	4		F1,2,3,4
42	G	R01 H93 202	THERMISTOR (HEAT SINK)		1	1		TH8

RoHS PARTS LIST

FUNCTIONAL AND ELECTRICAL PARTS

PUHZ-SHW112YHAR2.UK

PUHZ-SHW112YHAR3.UK

PUHZ-SHW140YHAR2.UK

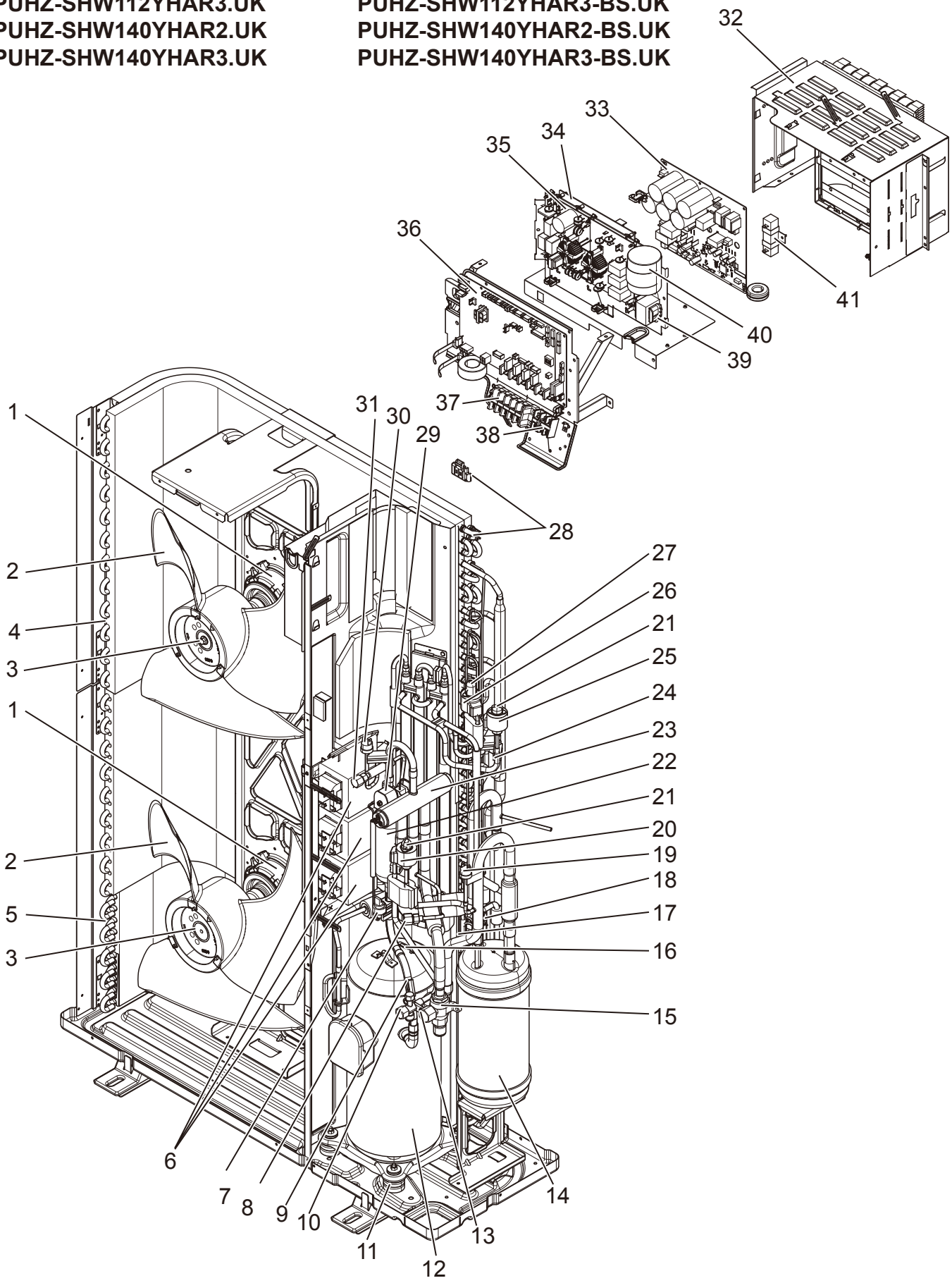
PUHZ-SHW140YHAR3.UK

PUHZ-SHW112YHAR2-BS.UK

PUHZ-SHW112YHAR3-BS.UK

PUHZ-SHW140YHAR2-BS.UK

PUHZ-SHW140YHAR3-BS.UK



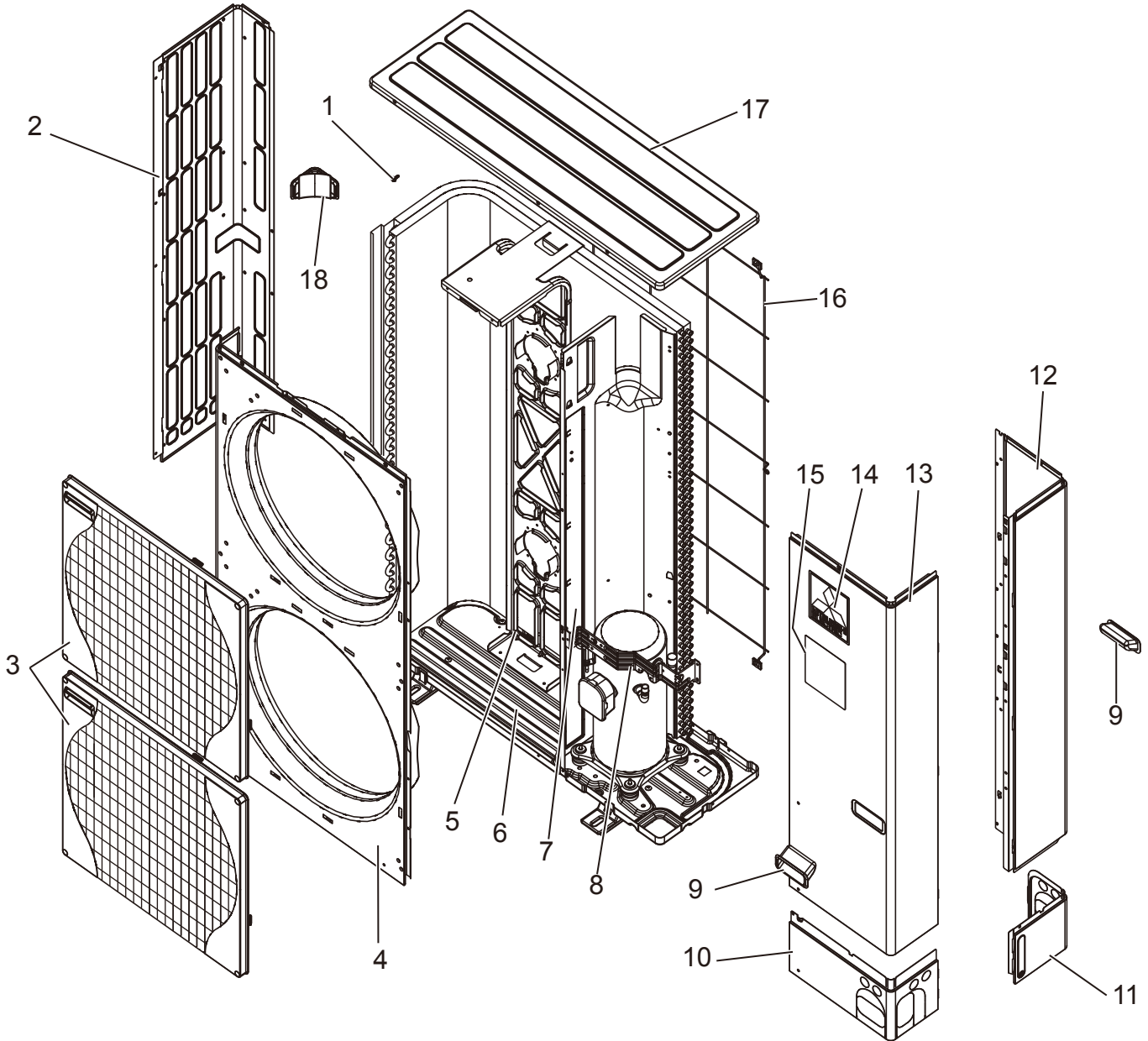
RoHS PARTS LIST

Parts numbers that are circled are not shown in the figure.

No.	RoHS	Parts No.	Parts Name	Specification	Q'ty/unit								Remarks (Drawing No.)	Wiring Diagram Symbol
					PUHZ-SHW112YHAR2.UK	PUHZ-SHW112YHAR2-BS.UK	PUHZ-SHW140YHAR2.UK	PUHZ-SHW140YHAR2-BS.UK	PUHZ-SHW112YHAR3.UK	PUHZ-SHW112YHAR3-BS.UK	PUHZ-SHW140YHAR3.UK	PUHZ-SHW140YHAR3-BS.UK		
1	G	S70 E30 763	FAN MOTOR		2	2	2	2	2	2	2	2		MF1,2
2	G	S70 E30 115	PROPELLER FAN		2	2	2	2	2	2	2	2		
3	G	S70 K01 097	NUT		2	2	2	2	2	2	2	2		
4	G	S70 E55 408	HEAT EXCHANGER (TOP)		1	1	1	1	1	1	1	1		
5	G	S70 E95 408	HEAT EXCHANGER (UNDER)		1	1	1	1	1	1	1	1		
6	G	S70 K80 259	REACTOR		3	3	3	3	3	3	3	3		ACL1,2,3
7	G	S70 E11 208	HIGH PRESSURE SENSOR		1	1	1	1	1	1	1	1		63HS
8	G	S70 E02 413	CHARGE PLUG		1	1	1	1	1	1	1	1		
9	G	S70 E62 202	THERMISTOR (DISCHARGE)	D8	1	1	1	1	1	1	1	1		TH4
10	G	S70 600 418	STOP VALVE (LIQUID)	3/8'	1	1	1	1	1	1	1	1		
11	G	S70 E02 004	RUBBER MOUNT		4	4	4	4	4	4	4	4		
12	G	S70 E60 400	COMPRESSOR	ANB33FJQMT	1	1	1	1	1	1	1	1		MC
13	G	S70 E06 411	BALL VALVE (GAS)	5/8'	1	1	1	1	1	1	1	1		
14	G	S70 E75 440	POWER RECEIVER(ACCUMULATOR)		1	1	1	1	1	1	1	1		
15	G	S70 36L 450	STRAINER	#50	1	1	1	1	1	1	1	1		
16	G	S70 E54 202	THERMISTOR (COMP.SURFACE)		1	1	1	1	1	1	1	1		TH34
17	G	S70 E37 202	THERMISTOR-H(LIQUID)	1150 XA	1	1	1	1	1	1	1	1		TH3
18	G	S70 E66 202	THERMISTOR(SUCTION)	2/G950XA	1	1	1	1	1	1	1	1		TH32
19	G	S70 H20 209	LOW PRESSURE SWITCH		1	1	1	1	1	1	1	1		63L
20	G	S70 E87 402	LINEAR EXPANSION VALVE COIL	UKV-A211	1	1	1	1	1	1	1	1	Connector: Red	LEV-B
21	G	S70 E92 401	LINEAR EXPANSION VALVE	UKV32D135	2	2	2	2	2	2	2	2	FOR LEV-A,C	
22	G	S70 42H 467	MUFFLER		1	1	1	1	1	1	1	1		
23	G	S70 E05 403	REVERSING VALVE (4-WAY VALVE)		1	1	1	1	1	1	1	1		
24	G	S70 E64 202	THERMISTOR	900-3P	1	1	1	1	1	1	1	1		TH33
25	G	S70 E88 402	LINEAR EXPANSION VALVE COIL	UKV-A212	1	1	1	1	1	1	1	1	Connector: White	LEV-A
26	G	S70 E99 402	LINEAR EXPANSION VALVE COIL	UKV	1	1	1	1	1	1	1	1	Connector: Blue	LEV-C
27	G	S70 E80 401	EXPANSION VALVE	UKV-18D35	1	1	1	1	1	1	1	1	FOR LEV-C	
28	G	S70 E60 202	THERMISTOR-W (OUTDOOR,2-PHASE PIPE, AMBIENT)		1	1	1	1	1	1	1	1		TH6,7
29	G	S70 E08 242	SOLENOID COIL <4WAY COIL>		1	1	1	1	1	1	1	1		21S4
30	G	S70 E10 208	HIGH PRESSURE SWITCH	OFF 4.14MPA	1	1	1	1	1	1	1	1		63H
31	G	S70 E03 413	CHARGE PLUG		1	1	1	1	1	1	1	1		
32	G	S70 R82 316	COMPLETE CONTROL BOX ASSY		1	1			1	1				
	G	S70 R83 316	COMPLETE CONTROL BOX ASSY				1	1			1	1		
33	G	S70 E90 313	POWER BOARD		1	1	1	1	1	1	1	1		P.B
34	G	S70 E15 313	CONVERTOR BOARD		1	1	1	1	1	1	1	1		CONV.B
35	G	S70 E50 346	NOISE FILTER		1	1	1	1	1	1	1	1		N.F
36	G	S70 E80 315	CONTROLLER BOARD		1	1	1	1						C.B
	G	S70 E85 315	CONTROLLER BOARD						1	1	1	1		C.B
37	G	S70 E09 716	TERMINAL BED	5P(L1, L2, L3,N, E)	1	1	1	1	1	1	1	1		TB1
38	G	S70 E08 716	TERMINAL BED	3P(S1, S2, S3)	1	1	1	1	1	1	1	1		TB2
39	G	S70 K90 259	REACTOR		1	1	1	1	1	1	1	1		ACL4
40	G	S70 E71 255	CAPACITOR		1	1	1	1	1	1	1	1		CK
41	G	S70 E20 234	RESISTOR		1	1	1	1	1	1	1	1		RS
42	G	S70 E55 202	THERMISTOR (HEATSINK)		1	1	1	1	1	1	1	1		TH8

RoHS PARTS LIST

STRUCTURAL PARTS
PUHZ-SHW80VHA
PUHZ-SHW112VHA
PUHZ-SHW112YHA
PUHZ-SHW140YHA

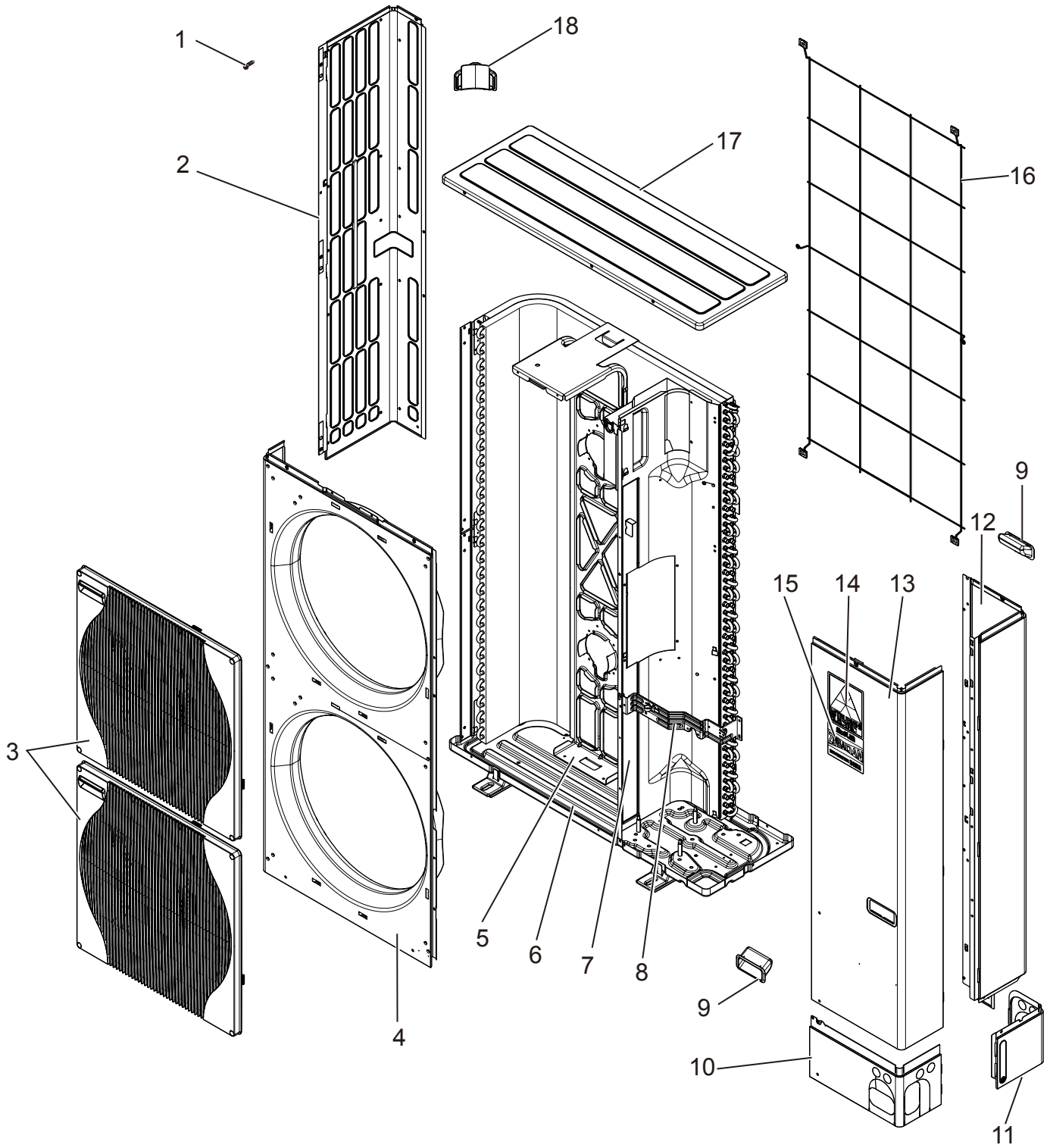


RoHS PARTS LIST

No.	RoHS	Part No.	Part Name	Specifi- cation	Q'ty/unit				Remarks (Drawing No.)	Wiring Diagram Symbol
					PUHZ-SHW					
					80VHA	112VHA	112YHA	140YHA		
1	G	—	F.ST SCREW	(5×12)	38	38	38	38	(DG12F536H12)	
2	G	R01 E33 662	SIDE PANEL (L)		1	1	1	1		
3	G	R01 E33 691	FAN GRILLE		2	2	2	2		
4	G	R01 E16 668	FRONT PANEL		1	1	1	1		
5	G	R01 E19 130	MOTOR SUPPORT		1	1	1	1		
6	G	R01 E26 686	BASE ASSY		1	1	1	1		
7	G	—	SEPARATOR ASSY		1	1			(BK00C143GJ7)	
	G	—	SEPARATOR ASSY				1	1	(BK00C409G41)	
8	G	—	VALVE BED ASSY		1	1	1	1	(BK00C142G28)	
9	G	R01 E01 655	HANDLE		2	2	2	2		
10	G	R01 E26 658	COVER PANEL (FRONT)		1	1	1	1		
11	G	R01 E25 658	COVER PANEL (REAR)		1	1	1	1		
12	G	R01 E44 661	SIDE PANEL (R)		1	1	1	1		
13	G	T7W E08 667	SERVICE PANEL		1	1	1	1		
14	G	—	LABEL (MITSUBISHI)		1	1	1	1	(DG79R130H03)	
15	G	—	BRAND LABEL		1	1	1	1	(BH79L116H03)	
16	G	R01 E07 698	REAR GUARD		1	1	1	1		
17	G	R01 E14 641	TOP PANEL		1	1				
	G	R01 E15 641	TOP PANEL				1	1		
18	G	R01 E02 655	HANDLE		1	1	1	1		

RoHS PARTS LIST

STRUCTURAL PARTS
PUHZ-SHW112YHAR1
PUHZ-SHW140YHAR1



RoHS PARTS LIST

No.	RoHS	Part No.	Part Name	Specifi- cation	Q'ty/unit		Remarks (Drawing No.)	Wiring Diagram Symbol
					PUHZ-SHW-YHAR1			
					112	140		
1	G	—	F.ST SCREW	(5×12)	38	38	(DG12F536H12)	
2	G	R01 E33 662	SIDE PANEL (L)		1	1		
3	G	R01 E33 691	FAN GRILLE		2	2		
4	G	R01 E16 668	FRONT PANEL		1	1		
5	G	R01 E19 130	MOTOR SUPPORT		1	1		
6	G	R01 E26 686	BASE ASSY		1	1		
7	G	—	SEPARATOR ASSY		1	1	(BK00C409G41)	
8	G	—	VALVE BED ASSY		1	1	(BK00C142G28)	
9	G	R01 E01 655	HANDLE		2	2		
10	G	R01 E26 658	COVER PANEL (FRONT)		1	1		
11	G	R01 E25 658	COVER PANEL (REAR)		1	1		
12	G	R01 E44 661	SIDE PANEL (R)		1	1		
13	G	T7W E08 667	SERVICE PANEL		1	1		
14	G	—	LABEL (MITSUBISHI)		1	1	(DG79R130H03)	
15	G	—	BRAND LABEL		1	1	(BH79L116H03)	
16	G	R01 E07 698	REAR GUARD		1	1		
17	G	R01 E15 641	TOP PANEL		1	1		
18	G	R01 E02 655	HANDLE		1	1		

RoHS PARTS LIST

STRUCTURAL PARTS

PUHZ-SHW80VHAR2.UK

PUHZ-SHW80VHAR3.UK

PUHZ-SHW112VHAR2.UK

PUHZ-SHW112VHAR3.UK

PUHZ-SHW112YHAR2.UK

PUHZ-SHW112YHAR3.UK

PUHZ-SHW140YHAR2.UK

PUHZ-SHW140YHAR3.UK

PUHZ-SHW80VHAR2-BS.UK

PUHZ-SHW80VHAR3-BS.UK

PUHZ-SHW112VHAR2-BS.UK

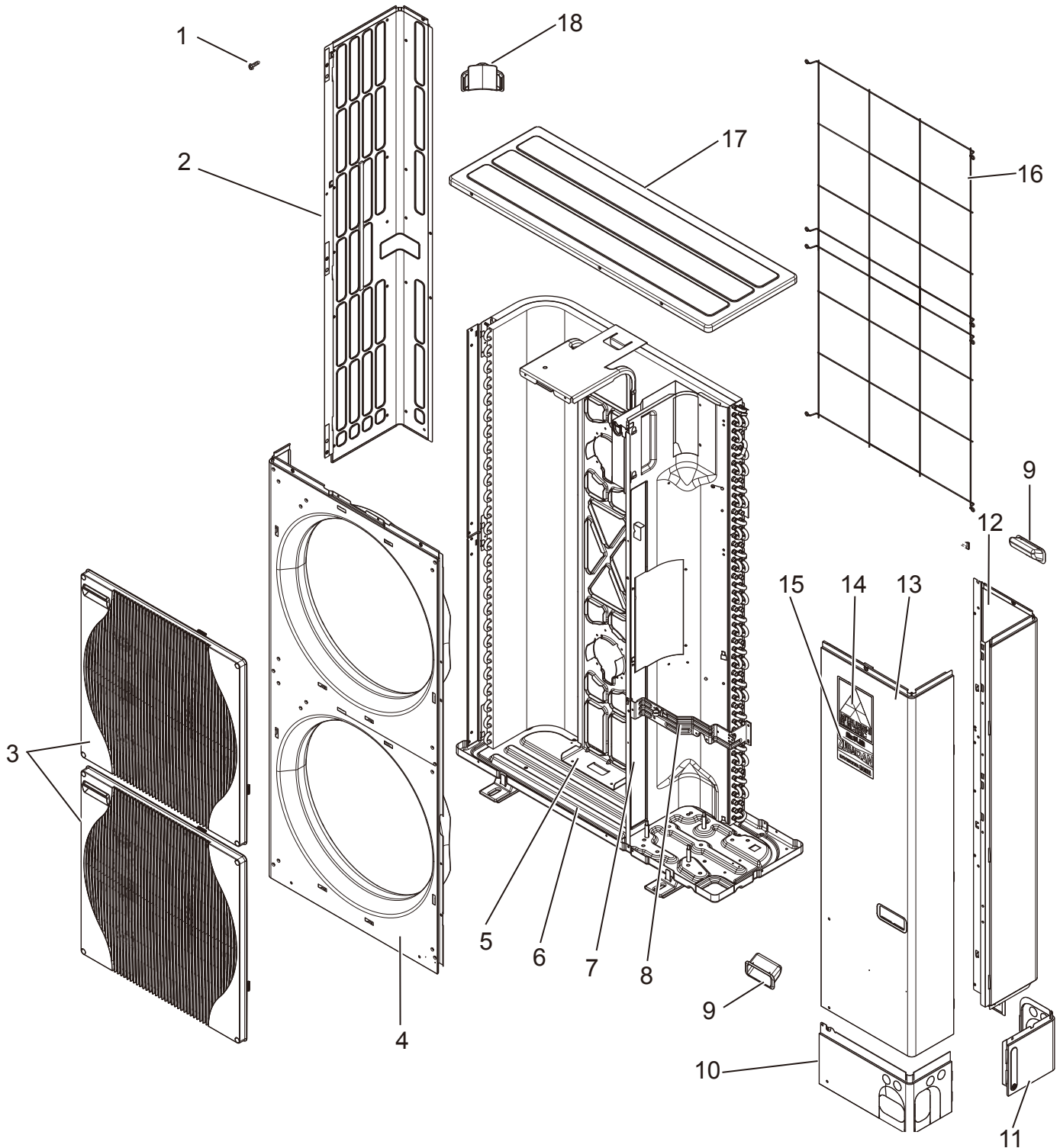
PUHZ-SHW112VHAR3-BS.UK

PUHZ-SHW112YHAR2-BS.UK

PUHZ-SHW112YHAR3-BS.UK

PUHZ-SHW140YHAR2-BS.UK

PUHZ-SHW140YHAR3-BS.UK



RoHS PARTS LIST

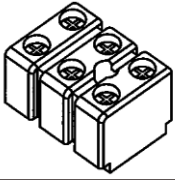

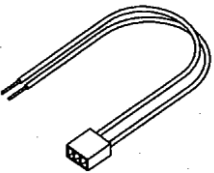
No.	RoHS	Part No.	Part Name	Specifi- cation	Q'ty/unit																Remarks (Drawing No.)
					PUHZ-SHW80VHAR2.UK	PUHZ-SHW80VHAR2-BS.UK	PUHZ-SHW12VHAR2.UK	PUHZ-SHW12VHAR2-BS.UK	PUHZ-SHW12VHAR2.UK	PUHZ-SHW12VHAR2-BS.UK	PUHZ-SHW140YHAR2.UK	PUHZ-SHW140YHAR2-BS.UK	PUHZ-SHW80VHAR3.UK	PUHZ-SHW80VHAR3-BS.UK	PUHZ-SHW12VHAR3.UK	PUHZ-SHW12VHAR3-BS.UK	PUHZ-SHW12VHAR3.UK	PUHZ-SHW12VHAR3-BS.UK	PUHZ-SHW140YHAR3.UK	PUHZ-SHW140YHAR3-BS.UK	
1	G	—	F.ST SCREW	(5×12)	50	50	50	50	50	50	50	50	50	50	50	50	50	50	50	DG12F536H12-JP	
2	G	S70 E15 662	SIDE PANEL (L)		1		1		1		1		1		1		1				
	G	S70 E16 662	SIDE PANEL (L)			1		1		1		1		1		1		1			
3	G	S70 E30 675	FAN GRILLE		2	2	2	2	2	2	2	2	2	2	2	2	2	2	2		
4	G	S70 E40 668	FRONT PANEL		1		1		1		1		1		1		1				
	G	S70 E51 668	FRONT PANEL			1		1		1		1		1		1		1			
5	G	S70 E20 130	MOTOR SUPPORT		1		1		1		1		1		1		1				
	G	S70 E80 130	MOTOR SUPPORT			1		1		1		1		1		1		1			
6	G	S70 E71 686	BASE ASSY		1		1		1		1		1		1		1				
	G	S70 E81 686	BASE ASSY			1		1		1		1		1		1		1			
7	G	—	SEPARATOR		1		1						1		1				BK00C456G72		
	G	—	SEPARATOR						1		1						1		BK00C456G73		
	G	—	SEPARATOR			1		1					1		1				BK00C456G74		
	G	—	SEPARATOR							1		1						1	BK00C456G75		
8	G	S71 0VB 001	VALVE BED ASSY		1	1	1	1	1	1	1	1	1	1	1	1	1	1	1		
9	G	S70 30L 655	HANDLE		2	2	2	2	2	2	2	2	2	2	2	2	2	2	2		
10	G	S70 E30 658	COVER PANEL (FRONT)		1		1		1		1		1		1		1				
	G	S70 E31 658	COVER PANEL (FRONT)			1		1		1		1		1		1		1			
11	G	S70 E40 658	COVER PANEL (REAR)		1		1		1		1		1		1		1				
	G	S70 E41 658	COVER PANEL (REAR)			1		1		1		1		1		1		1			
12	G	S70 E80 662	SIDE PANEL(R)		1		1		1		1		1		1		1				
	G	S70 E90 662	SIDE PANEL(R)			1		1		1		1		1		1		1			
13	G	S70 E31 661	SERVICE PANEL		1		1		1		1		1		1		1				
	G	S70 E41 661	SERVICE PANEL			1		1		1		1		1		1		1			
14	G	S70 E20 699	LABEL (MITSUBISHI)		1	1	1	1	1	1	1	1	1	1	1	1	1	1	1		
15	G	S70 E30 699	LABEL (BRAND)		1	1	1	1	1	1	1	1	1	1	1	1	1	1	1		
16	G	S70 E20 698	REAR GUARD		2	2	2	2	2	2	2	2	2	2	2	2	2	2	2		
17	G	S70 E20 641	TOP PANEL		1		1		1		1		1		1		1				
	G	S70 E30 641	TOP PANEL			1		1		1		1		1		1		1			
18	G	S70 E10 655	HANDLE		1	1	1	1	1	1	1	1	1	1	1	1	1	1	1		

CONNECTOR FOR DRAIN HOSE HEATER

Parts No.

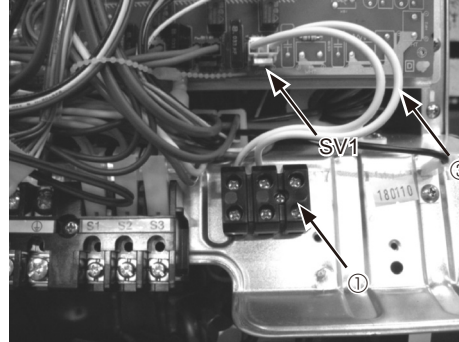
PAC-SE60RA-E

Contents

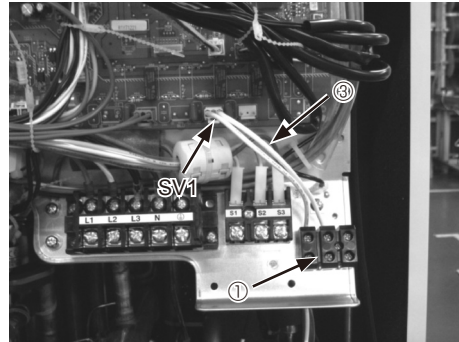
① Terminal block	×1
	
② Screw	×1
	
③ Lead wire with connector	×1
	

Installation

● PUAZ-SHW80/112VHA



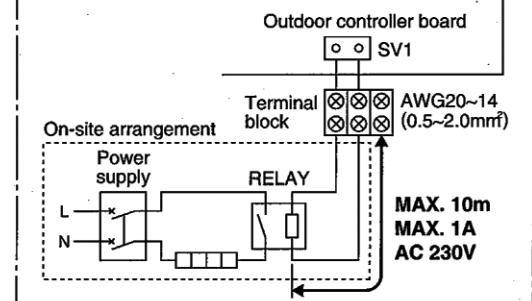
● PUAZ-SHW112/140YHA



1. Attach the terminal block ①, with the screw ②.
2. Connect the lead wire ③ connector side to SV1 port on the outdoor controller board.
3. Connect the lead wire ③ to the terminal block ①.
4. Wire local cables for a drain hose heater RELAY to the terminal block ①.

- Drain hose heater RELAY connection only
- MAX current 1A

Circuit diagram example



SV1 on the controller board
→ Drain hose heater signal output
With PAC-SE60RA-E

From defrost start
For 15 min. ON signal provided

MITSUBISHI ELECTRIC CORPORATION

HEAD OFFICE : TOKYO BLDG., 2-7-3, MARUNOUCHI, CHIYODA-KU, TOKYO 100-8310, JAPAN