

SERVICE PARTS LIST FOR MITSUBISHI ELECTRIC PACKAGED AIR-CONDITIONERS

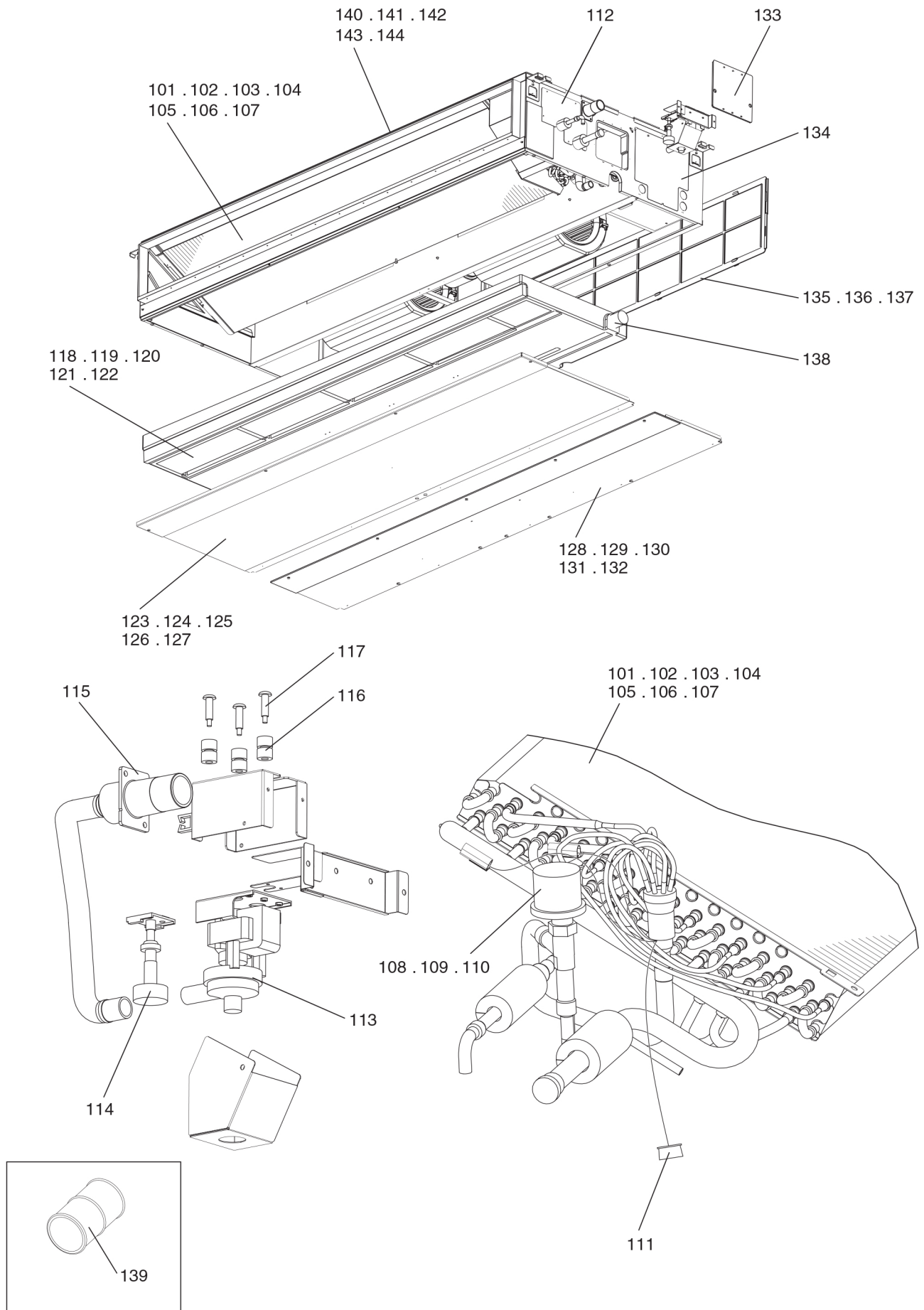
**Series : PEFY-P·VMA-ER3.UK
PEFY-P·VMAL-ER3.UK**

Nov. 2012
BWE012130

INDEX
PEFY-P20VMA(L)-ER3.UK
PEFY-P25VMA(L)-ER3.UK
PEFY-P32VMA(L)-ER3.UK
PEFY-P40VMA(L)-ER3.UK
PEFY-P50VMA(L)-ER3.UK
PEFY-P63VMA(L)-ER3.UK
PEFY-P71VMA(L)-ER3.UK
PEFY-P80VMA(L)-ER3.UK
PEFY-P100VMA(L)-ER3.UK
PEFY-P125VMA(L)-ER3.UK
PEFY-P140VMA(L)-ER3.UK

PEFY-P20,P25,P32,P40VMA-ER3.UK
PEFY-P50,P63,P71,P80VMA-ER3.UK
PEFY-P100,P125,P140VMA-ER3.UK

EXTERNAL PARTS (1)



PEFY-P20,P25,P32,P40VMA-ER3.UK
 PEFY-P50,P63,P71,P80VMA-ER3.UK
 PEFY-P100,P125,P140VMA-ER3.UK

EXTERNAL PARTS (1)

No.	Part No.	G : RoHS Apply Only W : RoHS Apply by Running Change		Spec.	PEFY-P20VMA-ER3.UK	PEFY-P25VMA-ER3.UK	PEFY-P32VMA-ER3.UK	PEFY-P40VMA-ER3.UK	PEFY-P50VMA-ER3.UK	PEFY-P63VMA-ER3.UK	Dwg. No.	Notes for the models	Revision info.
		Part Name											
101	S70 E00 480	G	HEAT EXCHANGER		1	1					KB00A201B01		
102	S70 E10 480	G	HEAT EXCHANGER				1				KB00A201B02		
103	S70 E01 480	G	HEAT EXCHANGER					1	1		KB00A201B03		
104	S70 E02 480	G	HEAT EXCHANGER							1	KB00A175B01		
105	S70 E03 480	G	HEAT EXCHANGER								KB00A175B02		
106	S70 E04 480	G	HEAT EXCHANGER								KB00A175B03		
107	S70 E05 480	G	HEAT EXCHANGER								KB00A175B04		
108	S70 E44 401	G	LINEAR EXPANSION VALVE 4	#EFM-40YGMD-7	1	1	1	1	1	1	KB50B941H01		
109	S70 E88 401	G	LINEAR EXPANSION VALVE 8	#EFM-80YGMD-8							KB50B942H01		
110	S70 E10 401	G	LINEAR EXPANSION VALVE 10	#EFM-A0YGMD-6							KB50B943H01		
111	S70 100 202	G	THERMISTOR		1	1	1	1	1	1	KB71B945M01		
112	S70 E11 065	G	COVER PIPE ASSY		1	1	1	1	1	1	KB00M203G02		
113	S70 E50 355	G	PUMP	PLD	1	1	1	1	1	1	KB56B953H03		
114	S70 E50 266	G	FLOAT SWITCH	#FS-0250	1	1	1	1	1	1	KB68B944H02		
115	S70 E50 527	G	SOCKET ASSY		1	1	1	1	1	1	KB00R308G04		
116	S70 E11 066	G	CUSHION		3	3	3	3	3	3	DB26F013L01		
117	S70 E40 673	G	SCREW SPECIAL	M4 × 6	3	3	3	3	3	3	Z003Z333H05		
118	S70 E10 529	G	DRAIN PAN ASSY	P20	1	1	1				KB00R237G01		
119	S70 E20 529	G	DRAIN PAN ASSY	P40				1	1		KB00R237G02		
120	S70 E30 529	G	DRAIN PAN ASSY	P63						1	KB00R237G03		
121	S70 E40 529	G	DRAIN PAN ASSY	P100							KB00R237G04		
122	S70 E50 529	G	DRAIN PAN ASSY	P140							KB00R237G05		
123	S70 E01 669	G	PANEL ASSY UD1	P20	1	1	1				KB00R305G06		
124	S70 E03 669	G	PANEL ASSY UD1	P40				1	1		KB00R305G07		
125	S70 E05 669	G	PANEL ASSY UD1	P63						1	KB00R305G08		
126	S70 E07 669	G	PANEL ASSY UD1	P100							KB00R305G09		
127	S70 E09 669	G	PANEL ASSY UD1	P140							KB00R305G10		
128	S70 E02 669	G	PANEL ASSY UD2	P20	1	1	1				KB00R306G16		
129	S70 E04 669	G	PANEL ASSY UD2	P40				1	1		KB00R306G17		
130	S70 E06 669	G	PANEL ASSY UD2	P63						1	KB00R306G18		
131	S70 E08 669	G	PANEL ASSY UD2	P100							KB00R306G19		
132	S70 E10 669	G	PANEL ASSY UD2	P140							KB00R306G20		
133	S70 E12 067	G	COVER ASSY		1	1	1	1	1	1	KB00M197G06		
134	S70 E13 068	G	COVER BOX ASSY		1	1	1	1	1	1	KB00T337G02		
135	S70 E55 500	G	FILTER	550						2	KB35B880G01		
136	S70 E70 500	G	FILTER	700	1	1	1				KB35B882G01		
137	S70 E90 500	G	FILTER	900				1	1		KB35B881G01		
138	S70 E16 524	G	PLUG	RUBBER	1	1	1	1	1	1	KB26H049H01		
139	S70 29H 523	G	SOCKET		1	1	1	1	1	1	BB25D449H01		
140	S70 E10 642	G	PANEL TOP ASSY	P20	1	1	1				KB00R292G06		
141	S70 E20 642	G	PANEL TOP ASSY	P40				1	1		KB00R292G07		
142	S70 E30 642	G	PANEL TOP ASSY	P63						1	KB00R292G08		
143	S70 E40 642	G	PANEL TOP ASSY	P100							KB00R292G09		
144	S70 E50 642	G	PANEL TOP ASSY	P140							KB00R292G10		

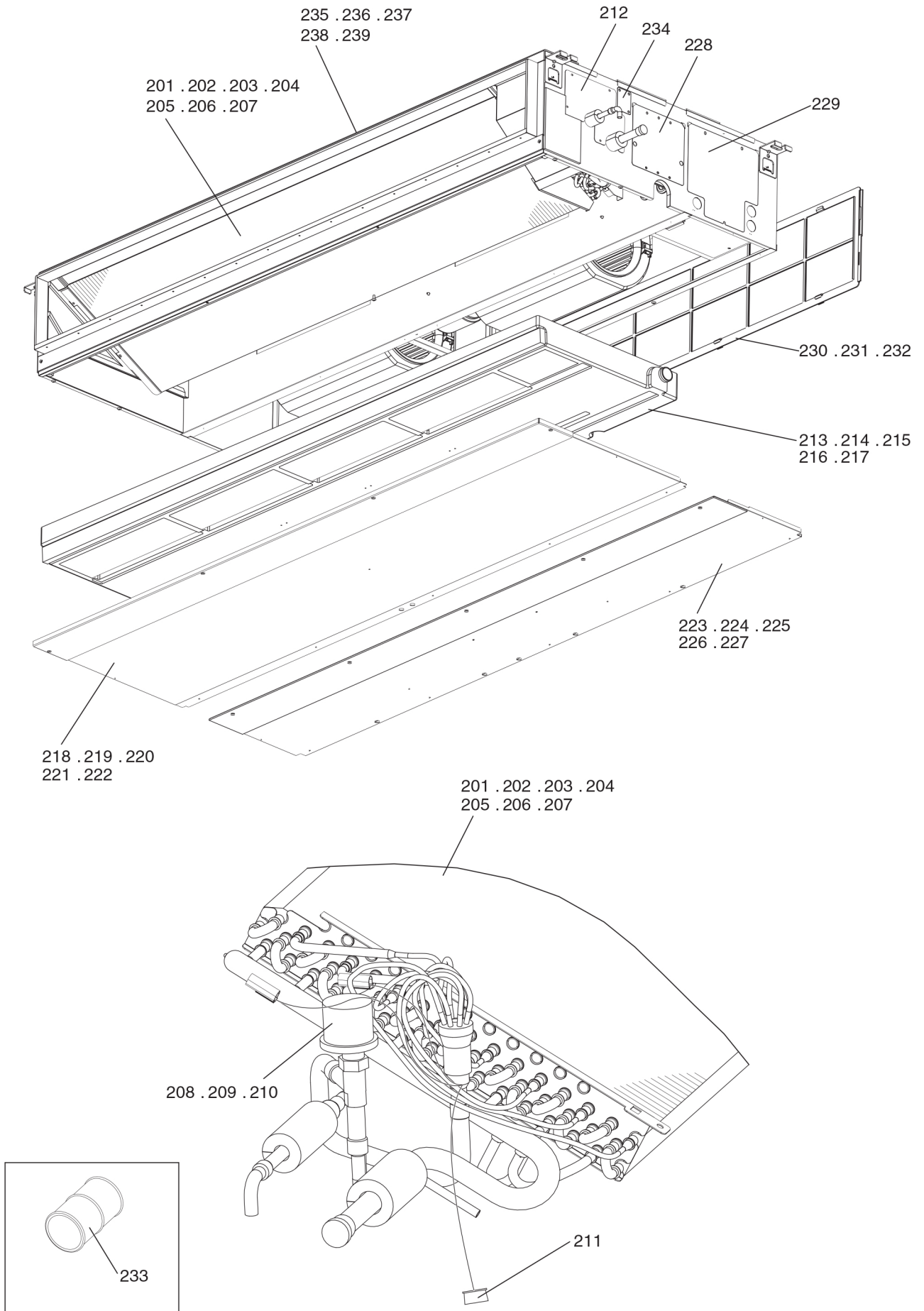
PEFY-P20,P25,P32,P40VMA-ER3.UK
 PEFY-P50,P63,P71,P80VMA-ER3.UK
 PEFY-P100,P125,P140VMA-ER3.UK

EXTERNAL PARTS (1)

No.	Part No.	G : RoHS Apply Only W : RoHS Apply by Running Change		Spec.	PEFY-P70VMA-ER3.UK	PEFY-P80VMA-ER3.UK	PEFY-P100VMA-ER3.UK	PEFY-P125VMA-ER3.UK	PEFY-P140VMA-ER3.UK	Dwg. No.	Notes for the models	Revision info.
			Part Name									
101	S70 E00 480	G	HEAT EXCHANGER							KB00A201B01		
102	S70 E10 480	G	HEAT EXCHANGER							KB00A201B02		
103	S70 E01 480	G	HEAT EXCHANGER							KB00A201B03		
104	S70 E02 480	G	HEAT EXCHANGER							KB00A175B01		
105	S70 E03 480	G	HEAT EXCHANGER		1	1				KB00A175B02		
106	S70 E04 480	G	HEAT EXCHANGER				1	1		KB00A175B03		
107	S70 E05 480	G	HEAT EXCHANGER						1	KB00A175B04		
108	S70 E44 401	G	LINEAR EXPANSION VALVE 4	#EFM-40YGMD-7						KB50B941H01		
109	S70 E88 401	G	LINEAR EXPANSION VALVE 8	#EFM-80YGMD-8	1	1	1	1		KB50B942H01		
110	S70 E10 401	G	LINEAR EXPANSION VALVE 10	#EFM-A0YGMD-6					1	KB50B943H01		
111	S70 100 202	G	THERMISTOR		1	1	1	1	1	KB71B945M01		
112	S70 E11 065	G	COVER PIPE ASSY		1	1	1	1	1	KB00M203G02		
113	S70 E50 355	G	PUMP	PLD	1	1	1	1	1	KB56B953H03		
114	S70 E50 266	G	FLOAT SWITCH	#FS-0250	1	1	1	1	1	KB68B944H02		
115	S70 E50 527	G	SOCKET ASSY		1	1	1	1	1	KB00R308G04		
116	S70 E11 066	G	CUSHION		3	3	3	3	3	DB26F013L01		
117	S70 E40 673	G	SCREW SPECIAL	M4 × 6	3	3	3	3	3	Z003Z333H05		
118	S70 E10 529	G	DRAIN PAN ASSY	P20						KB00R237G01		
119	S70 E20 529	G	DRAIN PAN ASSY	P40						KB00R237G02		
120	S70 E30 529	G	DRAIN PAN ASSY	P63	1	1				KB00R237G03		
121	S70 E40 529	G	DRAIN PAN ASSY	P100			1	1		KB00R237G04		
122	S70 E50 529	G	DRAIN PAN ASSY	P140					1	KB00R237G05		
123	S70 E01 669	G	PANEL ASSY UD1	P20						KB00R305G06		
124	S70 E03 669	G	PANEL ASSY UD1	P40						KB00R305G07		
125	S70 E05 669	G	PANEL ASSY UD1	P63	1	1				KB00R305G08		
126	S70 E07 669	G	PANEL ASSY UD1	P100			1	1		KB00R305G09		
127	S70 E09 669	G	PANEL ASSY UD1	P140					1	KB00R305G10		
128	S70 E02 669	G	PANEL ASSY UD2	P20						KB00R306G16		
129	S70 E04 669	G	PANEL ASSY UD2	P40						KB00R306G17		
130	S70 E06 669	G	PANEL ASSY UD2	P63	1	1				KB00R306G18		
131	S70 E08 669	G	PANEL ASSY UD2	P100			1	1		KB00R306G19		
132	S70 E10 669	G	PANEL ASSY UD2	P140					1	KB00R306G20		
133	S70 E12 067	G	COVER ASSY		1	1	1	1	1	KB00M197G06		
134	S70 E13 068	G	COVER BOX ASSY		1	1	1	1	1	KB00T337G02		
135	S70 E55 500	G	FILTER	550	2	2				KB35B880G01		
136	S70 E70 500	G	FILTER	700			2	2	1	KB35B882G01		
137	S70 E90 500	G	FILTER	900					1	KB35B881G01		
138	S70 E16 524	G	PLUG	RUBBER	1	1	1	1	1	KB26H049H01		
139	S70 29H 523	G	SOCKET		1	1	1	1	1	BB25D449H01		
140	S70 E10 642	G	PANEL TOP ASSY	P20						KB00R292G06		
141	S70 E20 642	G	PANEL TOP ASSY	P40						KB00R292G07		
142	S70 E30 642	G	PANEL TOP ASSY	P63	1	1				KB00R292G08		
143	S70 E40 642	G	PANEL TOP ASSY	P100			1	1		KB00R292G09		
144	S70 E50 642	G	PANEL TOP ASSY	P140					1	KB00R292G10		

PEFY-P20,P25,P32,P40VMAL-ER3.UK
PEFY-P50,P63,P71,P80VMAL-ER3.UK
PEFY-P100,P125,P140VMAL-ER3.UK

EXTERNAL PARTS (2)



PEFY-P20,P25,P32,P40VMAL-ER3.UK
 PEFY-P50,P63,P71,P80VMAL-ER3.UK
 PEFY-P100,P125,P140VMAL-ER3.UK

EXTERNAL PARTS (2)

No.	Part No.	G : RoHS Apply Only W : RoHS Apply by Running Change		Spec.	PEFY-P20VMAL-ER3.UK	PEFY-P25VMAL-ER3.UK	PEFY-P32VMAL-ER3.UK	PEFY-P40VMAL-ER3.UK	PEFY-P50VMAL-ER3.UK	PEFY-P63VMAL-ER3.UK	Dwg. No.	Notes for the models	Revision info.
			Part Name										
201	S70 E00 480	G	HEAT EXCHANGER		1	1					KB00A201B01		
202	S70 E10 480	G	HEAT EXCHANGER				1				KB00A201B02		
203	S70 E01 480	G	HEAT EXCHANGER					1	1		KB00A201B03		
204	S70 E02 480	G	HEAT EXCHANGER							1	KB00A175B01		
205	S70 E03 480	G	HEAT EXCHANGER								KB00A175B02		
206	S70 E04 480	G	HEAT EXCHANGER								KB00A175B03		
207	S70 E05 480	G	HEAT EXCHANGER								KB00A175B04		
208	S70 E44 401	G	LINEAR EXPANSION VALVE 4	#EFM-40YGMD-7	1	1	1	1	1	1	KB50B941H01		
209	S70 E88 401	G	LINEAR EXPANSION VALVE 8	#EFM-80YGMD-8							KB50B942H01		
210	S70 E10 401	G	LINEAR EXPANSION VALVE 10	#EFM-A0YGMD-6							KB50B943H01		
211	S70 100 202	G	THERMISTOR		1	1	1	1	1	1	KB71B945M01		
212	S70 E11 065	G	COVER PIPE ASSY		1	1	1	1	1	1	KB00M203G02		
213	S70 E10 529	G	DRAIN PAN ASSY	P20	1	1	1				KB00R237G01		
214	S70 E20 529	G	DRAIN PAN ASSY	P40				1	1		KB00R237G02		
215	S70 E30 529	G	DRAIN PAN ASSY	P63						1	KB00R237G03		
216	S70 E40 529	G	DRAIN PAN ASSY	P100							KB00R237G04		
217	S70 E50 529	G	DRAIN PAN ASSY	P140							KB00R237G05		
218	S70 E01 669	G	PANEL ASSY UD1	P20	1	1	1				KB00R305G06		
219	S70 E03 669	G	PANEL ASSY UD1	P40				1	1		KB00R305G07		
220	S70 E05 669	G	PANEL ASSY UD1	P63						1	KB00R305G08		
221	S70 E07 669	G	PANEL ASSY UD1	P100							KB00R305G09		
222	S70 E09 669	G	PANEL ASSY UD1	P140							KB00R305G10		
223	S70 E02 669	G	PANEL ASSY UD2	P20	1	1	1				KB00R306G16		
224	S70 E04 669	G	PANEL ASSY UD2	P40				1	1		KB00R306G17		
225	S70 E06 669	G	PANEL ASSY UD2	P63						1	KB00R306G18		
226	S70 E08 669	G	PANEL ASSY UD2	P100							KB00R306G19		
227	S70 E10 669	G	PANEL ASSY UD2	P140							KB00R306G20		
228	S70 E12 067	G	COVER ASSY		1	1	1	1	1	1	KB00M197G06		
229	S70 E13 068	G	COVER BOX ASSY		1	1	1	1	1	1	KB00T337G02		
230	S70 E55 500	G	FILTER	550						2	KB35B880G01		
231	S70 E70 500	G	FILTER	700	1	1	1				KB35B882G01		
232	S70 E90 500	G	FILTER	900				1	1		KB35B881G01		
233	S70 29H 523	G	SOCKET		1	1	1	1	1	1	BB25D449H01		
234	S70 E30 522	G	COVER SOCKET ASSY		1	1	1	1	1	1	KB00M268G02		
235	S70 E10 642	G	PANEL TOP ASSY	P20	1	1	1				KB00R292G06		
236	S70 E20 642	G	PANEL TOP ASSY	P40				1	1		KB00R292G07		
237	S70 E30 642	G	PANEL TOP ASSY	P63						1	KB00R292G08		
238	S70 E40 642	G	PANEL TOP ASSY	P100							KB00R292G09		
239	S70 E50 642	G	PANEL TOP ASSY	P140							KB00R292G10		

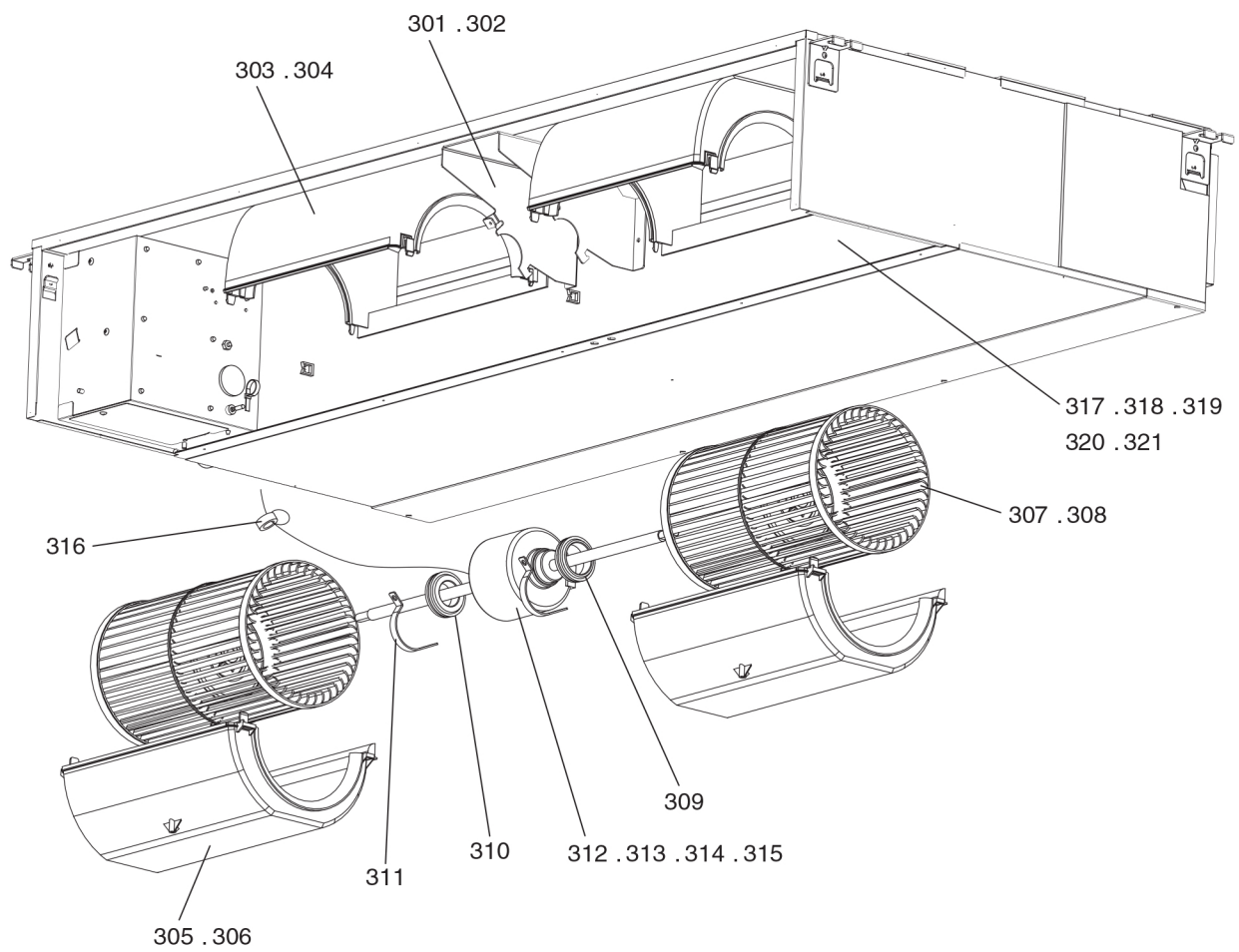
PEFY-P20,P25,P32,P40VMAL-ER3.UK
 PEFY-P50,P63,P71,P80VMAL-ER3.UK
 PEFY-P100,P125,P140VMAL-ER3.UK

EXTERNAL PARTS (2)

No.	Part No.	G : RoHS Apply Only W : RoHS Apply by Running Change		Spec.	PEFY-P71VMAL-ER3.UK	PEFY-P80VMAL-ER3.UK	PEFY-P100VMAL-ER3.UK	PEFY-P125VMAL-ER3.UK	PEFY-P140VMAL-ER3.UK	Dwg. No.	Notes for the models	Revision info.
		Part Name										
201	S70 E00 480	G	HEAT EXCHANGER							KB00A201B01		
202	S70 E10 480	G	HEAT EXCHANGER							KB00A201B02		
203	S70 E01 480	G	HEAT EXCHANGER							KB00A201B03		
204	S70 E02 480	G	HEAT EXCHANGER							KB00A175B01		
205	S70 E03 480	G	HEAT EXCHANGER		1	1				KB00A175B02		
206	S70 E04 480	G	HEAT EXCHANGER				1	1		KB00A175B03		
207	S70 E05 480	G	HEAT EXCHANGER						1	KB00A175B04		
208	S70 E44 401	G	LINEAR EXPANSION VALVE 4 #EFM-40YGMD-7							KB50B941H01		
209	S70 E88 401	G	LINEAR EXPANSION VALVE 8 #EFM-80YGMD-8		1	1	1	1		KB50B942H01		
210	S70 E10 401	G	LINEAR EXPANSION VALVE 10 #EFM-A0YGMD-6						1	KB50B943H01		
211	S70 100 202	G	THERMISTOR		1	1	1	1	1	KB71B945M01		
212	S70 E11 065	G	COVER PIPE ASSY		1	1	1	1	1	KB00M203G02		
213	S70 E10 529	G	DRAIN PAN ASSY	P20						KB00R237G01		
214	S70 E20 529	G	DRAIN PAN ASSY	P40						KB00R237G02		
215	S70 E30 529	G	DRAIN PAN ASSY	P63	1	1				KB00R237G03		
216	S70 E40 529	G	DRAIN PAN ASSY	P100			1	1		KB00R237G04		
217	S70 E50 529	G	DRAIN PAN ASSY	P140					1	KB00R237G05		
218	S70 E01 669	G	PANEL ASSY UD1	P20						KB00R305G06		
219	S70 E03 669	G	PANEL ASSY UD1	P40						KB00R305G07		
220	S70 E05 669	G	PANEL ASSY UD1	P63	1	1				KB00R305G08		
221	S70 E07 669	G	PANEL ASSY UD1	P100			1	1		KB00R305G09		
222	S70 E09 669	G	PANEL ASSY UD1	P140					1	KB00R305G10		
223	S70 E02 669	G	PANEL ASSY UD2	P20						KB00R306G16		
224	S70 E04 669	G	PANEL ASSY UD2	P40						KB00R306G17		
225	S70 E06 669	G	PANEL ASSY UD2	P63	1	1				KB00R306G18		
226	S70 E08 669	G	PANEL ASSY UD2	P100			1	1		KB00R306G19		
227	S70 E10 669	G	PANEL ASSY UD2	P140					1	KB00R306G20		
228	S70 E12 067	G	COVER ASSY		1	1	1	1	1	KB00M197G06		
229	S70 E13 068	G	COVER BOX ASSY		1	1	1	1	1	KB00T337G02		
230	S70 E55 500	G	FILTER	550	2	2				KB35B880G01		
231	S70 E70 500	G	FILTER	700			2	2	1	KB35B882G01		
232	S70 E90 500	G	FILTER	900					1	KB35B881G01		
233	S70 29H 523	G	SOCKET		1	1	1	1	1	BB25D449H01		
234	S70 E30 522	G	COVER SOCKET ASSY		1	1	1	1	1	KB00M268G02		
235	S70 E10 642	G	PANEL TOP ASSY	P20						KB00R292G06		
236	S70 E20 642	G	PANEL TOP ASSY	P40						KB00R292G07		
237	S70 E30 642	G	PANEL TOP ASSY	P63	1	1				KB00R292G08		
238	S70 E40 642	G	PANEL TOP ASSY	P100			1	1		KB00R292G09		
239	S70 E50 642	G	PANEL TOP ASSY	P140					1	KB00R292G10		

PEFY-P20,P25,P32,P40VMA(L)-ER3.UK
PEFY-P50,P63,P71,P80VMA(L)-ER3.UK
PEFY-P100,P125,P140VMA(L)-ER3.UK

BLOWER PARTS



PEFY-P20,P25,P32,P40VMA(L)-ER3.UK
 PEFY-P50,P63,P71,P80VMA(L)-ER3.UK
 PEFY-P100,P125,P140VMA(L)-ER3.UK

BLOWER PARTS

No.	Part No.	G : RoHS Apply Only W : RoHS Apply by Running Change		Spec.	PEFY-P20VMA-ER3.UK	PEFY-P25VMA-ER3.UK	PEFY-P32VMA-ER3.UK	PEFY-P40VMA-ER3.UK	PEFY-P50VMA-ER3.UK	PEFY-P63VMA-ER3.UK	Dwg. No.	Notes for the models	Revision info.
			Part Name										
301	S70 E30 130	G	MOTOR BASE	P20	1	1	1	1	1	1	KB02B861Z02		
302	S70 E40 130	G	MOTOR BASE	P100							KB02B862Z03		
303	S70 E10 110	G	FAN CASE U		1	1	1				2	KB25A145G01	
304	S70 E30 110	G	FAN CASE U					1	1			KB25A144G01	
305	S70 E50 110	G	FAN CASE L		1	1	1				2	KB25A147G02	
306	S70 E40 110	G	FAN CASE L					1	1			KB25A146G01	
307	S70 E20 114	G	SIROCCO FAN ASSY	200	1	1	1				2	KB00R101G01	
308	S70 E32 114	G	SIROCCO FAN ASSY	320				1	1			KB00R102G01	
309	S70 L10 105	G	RUBBER MOUNT L		1	1	1	1	1	1		KB31D833H01	
310	S70 R20 105	G	RUBBER MOUNT R		1	1	1	1	1	1		KB31D833H02	
311	S70 E10 131	G	ATTACHMENT		2	2	2	2	2	2		W353715H01	
312	S70 E50 220	G	MOTOR	P20	1	1	1					KB61B960H05	
313	S70 E60 220	G	MOTOR	P40					1	1		KB61B961H06	
314	S70 E70 220	G	MOTOR	P63						1		KB61B962H05	
315	S70 E80 220	G	MOTOR	P100								KB61B963H05	
316	S70 030 292	G	CLAMP FERRITE									KP65F165H01	
317	S70 E10 677	G	FAN PLATE ASSY	P20	1	1	1					KB00T067G06	
318	S70 E20 677	G	FAN PLATE ASSY	P40					1	1		KB00T067G07	
319	S70 E30 677	G	FAN PLATE ASSY	P63							1	KB00T067G08	
320	S70 E40 677	G	FAN PLATE ASSY	P100								KB00T067G09	
321	S70 E50 677	G	FAN PLATE ASSY	P140								KB00T067G10	

PEFY-P20,P25,P32,P40VMA(L)-ER3.UK
 PEFY-P50,P63,P71,P80VMA(L)-ER3.UK
 PEFY-P100,P125,P140VMA(L)-ER3.UK

BLOWER PARTS

No.	Part No.	G : RoHS Apply Only W : RoHS Apply by Running Change		Spec.	PEFY-P71VMA-ER3.UK	PEFY-P80VMA-ER3.UK	PEFY-P100VMA-ER3.UK	PEFY-P125VMA-ER3.UK	PEFY-P140VMA-ER3.UK	PEFY-P20VMA(L)-ER3.UK	Dwg. No.	Notes for the models	Revision info.
			Part Name										
301	S70 E30 130	G	MOTOR BASE	P20	1	1				1	KB02B861Z02		
302	S70 E40 130	G	MOTOR BASE	P100			1	1	1		KB02B862Z03		
303	S70 E10 110	G	FAN CASE U		2	2				1	KB25A145G01		
304	S70 E30 110	G	FAN CASE U				2	2	2		KB25A144G01		
305	S70 E50 110	G	FAN CASE L		2	2				1	KB25A147G02		
306	S70 E40 110	G	FAN CASE L				2	2	2		KB25A146G01		
307	S70 E20 114	G	SIROCCO FAN ASSY	200	2	2				1	KB00R101G01		
308	S70 E32 114	G	SIROCCO FAN ASSY	320			2	2	2		KB00R102G01		
309	S70 L10 105	G	RUBBER MOUNT L		1	1				1	KB31D833H01		
310	S70 R20 105	G	RUBBER MOUNT R		1	1	2	2	2	1	KB31D833H02		
311	S70 E10 131	G	ATTACHMENT		2	2	2	2	2	2	W353715H01		
312	S70 E50 220	G	MOTOR	P20						1	KB61B960H05		
313	S70 E60 220	G	MOTOR	P40							KB61B961H06		
314	S70 E70 220	G	MOTOR	P63	1	1					KB61B962H05		
315	S70 E80 220	G	MOTOR	P100			1	1	1		KB61B963H05		
316	S70 030 292	G	CLAMP FERRITE				1	1	1		KP65F165H01		
317	S70 E10 677	G	FAN PLATE ASSY	P20						1	KB00T067G06		
318	S70 E20 677	G	FAN PLATE ASSY	P40							KB00T067G07		
319	S70 E30 677	G	FAN PLATE ASSY	P63	1	1					KB00T067G08		
320	S70 E40 677	G	FAN PLATE ASSY	P100			1	1			KB00T067G09		
321	S70 E50 677	G	FAN PLATE ASSY	P140					1		KB00T067G10		

PEFY-P20,P25,P32,P40VMA(L)-ER3.UK
 PEFY-P50,P63,P71,P80VMA(L)-ER3.UK
 PEFY-P100,P125,P140VMA(L)-ER3.UK

BLOWER PARTS

No.	Part No.	G : RoHS Apply Only W : RoHS Apply by Running Change		Spec.	PEFY-P25VMA(L)-ER3.UK	PEFY-P32VMA(L)-ER3.UK	PEFY-P40VMA(L)-ER3.UK	PEFY-P50VMA(L)-ER3.UK	PEFY-P63VMA(L)-ER3.UK	PEFY-P71VMA(L)-ER3.UK	Dwg. No.	Notes for the models	Revision info.	
		Part Name												
301	S70 E30 130	G	MOTOR BASE	P20	1	1	1	1	1	1	KB02B861Z02			
302	S70 E40 130	G	MOTOR BASE	P100							KB02B862Z03			
303	S70 E10 110	G	FAN CASE U		1	1				2	2	KB25A145G01		
304	S70 E30 110	G	FAN CASE U				1	1				KB25A144G01		
305	S70 E50 110	G	FAN CASE L		1	1				2	2	KB25A147G02		
306	S70 E40 110	G	FAN CASE L				1	1				KB25A146G01		
307	S70 E20 114	G	SIROCCO FAN ASSY	200	1	1				2	2	KB00R101G01		
308	S70 E32 114	G	SIROCCO FAN ASSY	320			1	1				KB00R102G01		
309	S70 L10 105	G	RUBBER MOUNT L		1	1	1	1	1	1		KB31D833H01		
310	S70 R20 105	G	RUBBER MOUNT R		1	1	1	1	1	1		KB31D833H02		
311	S70 E10 131	G	ATTACHMENT		2	2	2	2	2	2		W353715H01		
312	S70 E50 220	G	MOTOR	P20	1	1						KB61B960H05		
313	S70 E60 220	G	MOTOR	P40			1	1				KB61B961H06		
314	S70 E70 220	G	MOTOR	P63					1	1		KB61B962H05		
315	S70 E80 220	G	MOTOR	P100								KB61B963H05		
316	S70 030 292	G	CLAMP FERRITE									KP65F165H01		
317	S70 E10 677	G	FAN PLATE ASSY	P20	1	1						KB00T067G06		
318	S70 E20 677	G	FAN PLATE ASSY	P40			1	1				KB00T067G07		
319	S70 E30 677	G	FAN PLATE ASSY	P63					1	1		KB00T067G08		
320	S70 E40 677	G	FAN PLATE ASSY	P100								KB00T067G09		
321	S70 E50 677	G	FAN PLATE ASSY	P140								KB00T067G10		

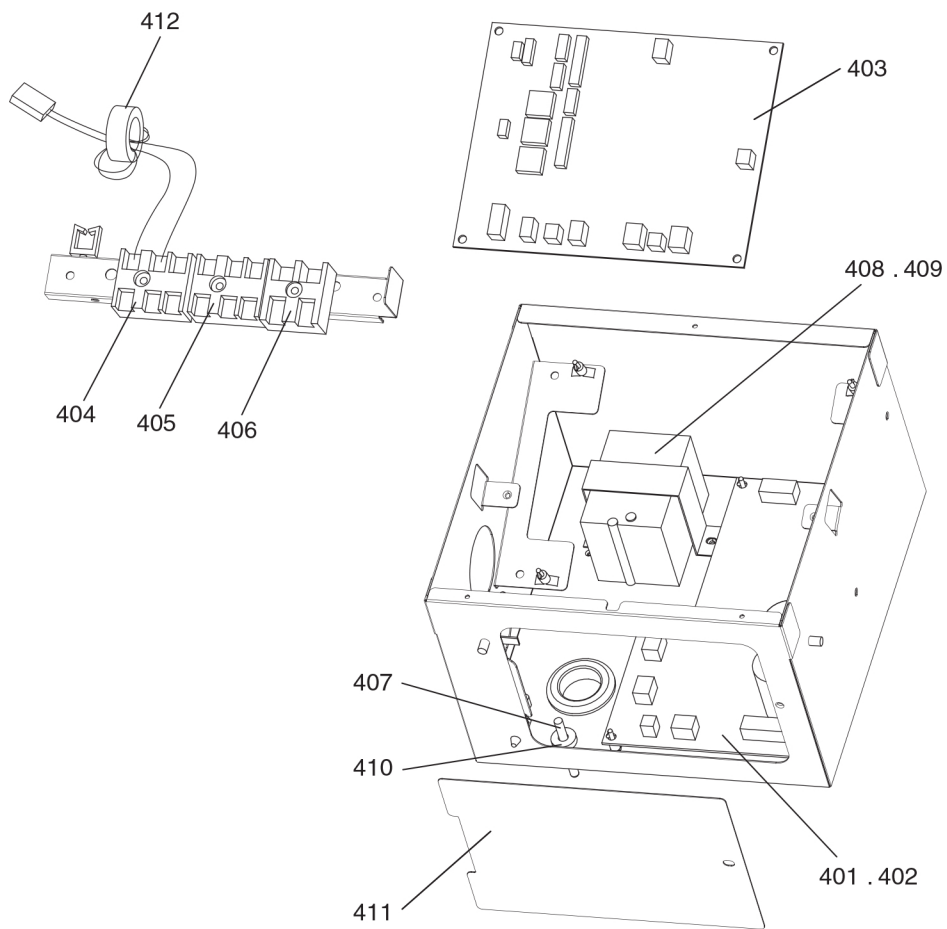
PEFY-P20,P25,P32,P40VMA(L)-ER3.UK
 PEFY-P50,P63,P71,P80VMA(L)-ER3.UK
 PEFY-P100,P125,P140VMA(L)-ER3.UK

BLOWER PARTS

No.	Part No.	G : RoHS Apply Only W : RoHS Apply by Running Change	Part Name	Spec.	PEFY-P20VMA(L)-ER3.UK	PEFY-P25VMA(L)-ER3.UK	PEFY-P32VMA(L)-ER3.UK	PEFY-P40VMA(L)-ER3.UK		Dwg. No.	Notes for the models	Revision info.
301	S70 E30 130	G	MOTOR BASE	P20	1					KB02B861Z02		
302	S70 E40 130	G	MOTOR BASE	P100		1	1	1		KB02B862Z03		
303	S70 E10 110	G	FAN CASE U		2					KB25A145G01		
304	S70 E30 110	G	FAN CASE U			2	2	2		KB25A144G01		
305	S70 E50 110	G	FAN CASE L		2					KB25A147G02		
306	S70 E40 110	G	FAN CASE L			2	2	2		KB25A146G01		
307	S70 E20 114	G	SIROCCO FAN ASSY	200	2					KB00R101G01		
308	S70 E32 114	G	SIROCCO FAN ASSY	320		2	2	2		KB00R102G01		
309	S70 L10 105	G	RUBBER MOUNT L		1					KB31D833H01		
310	S70 R20 105	G	RUBBER MOUNT R		1	2	2	2		KB31D833H02		
311	S70 E10 131	G	ATTACHMENT		2	2	2	2		W353715H01		
312	S70 E50 220	G	MOTOR	P20						KB61B960H05		
313	S70 E60 220	G	MOTOR	P40						KB61B961H06		
314	S70 E70 220	G	MOTOR	P63	1					KB61B962H05		
315	S70 E80 220	G	MOTOR	P100		1	1	1		KB61B963H05		
316	S70 030 292	G	CLAMP FERRITE			1	1	1		KP65F165H01		
317	S70 E10 677	G	FAN PLATE ASSY	P20						KB00T067G06		
318	S70 E20 677	G	FAN PLATE ASSY	P40						KB00T067G07		
319	S70 E30 677	G	FAN PLATE ASSY	P63	1					KB00T067G08		
320	S70 E40 677	G	FAN PLATE ASSY	P100		1	1			KB00T067G09		
321	S70 E50 677	G	FAN PLATE ASSY	P140				1		KB00T067G10		

PEFY-P20,P25,P32,P40VMA(L)-ER3.UK
PEFY-P50,P63,P71,P80VMA(L)-ER3.UK
PEFY-P100,P125,P140VMA(L)-ER3.UK

CONTROL BOX PARTS



PEFY-P20,P25,P32,P40VMA(L)-ER3.UK
PEFY-P50,P63,P71,P80VMA(L)-ER3.UK
PEFY-P100,P125,P140VMA(L)-ER3.UK

CONTROL BOX PARTS

No.	Part No.	G : RoHS Apply Only W : RoHS Apply by Running Change	Part Name	Spec.	PEFY-P20VMA-ER3.UK	PEFY-P25VMA-ER3.UK	PEFY-P32VMA-ER3.UK	PEFY-P40VMA-ER3.UK	PEFY-P50VMA-ER3.UK	PEFY-P63VMA-ER3.UK	Dwg. No.	Notes for the models	Revision info.
401	S70 K30 313	G	PRINTED CIRCUIT ASSEMBLY	PW 3A	1	1	1	1	1	1	KE01D548B03		
402	S70 K40 313	G	PRINTED CIRCUIT ASSEMBLY	PW 5A							KE01D548B04		
403	S70 K40 310	G	PRINTED CIRCUIT ASSEMBLY	INDOOR CONTROL	1	1	1	1	1	1	KE01D546B05		
404	S70 0B4 716	G	TERMINAL BLOCK ASSY		1	1	1	1	1	1	BH00C267G05		
405	S70 B02 716	G	TERMINAL BLOCK ASSY		1	1	1	1	1	1	BH00C267G04		
406	S70 E40 716	G	TERMINAL BLOCK		1	1	1	1	1	1	BH73L021H01		
407	S70 0B1 202	G	THERMISTOR-S	250XAP	1	1	1	1	1	1	RG71J628H01		
408	S70 K01 259	G	REACTOR	3A3	1	1	1	1	1	1	KE65D486H02		
409	S70 K02 259	G	REACTOR	3A6							KE65D487H01		
410	S70 E10 306	G	CORD BUSH		1	1	1	1	1	1	BG25U730H01		
411	S70 E14 068	G	BOX UNDER COVER		1	1	1	1	1	1	KB02K887Z01		
412	S70 040 292	G	CLAMP FERRITE FOB		1	1	1	1	1	1	KE65D273H01		

No.	Part No.	G : RoHS Apply Only W : RoHS Apply by Running Change	Part Name	Spec.	PEFY-P20VMA(L)-ER3.UK	PEFY-P25VMA(L)-ER3.UK	PEFY-P32VMA(L)-ER3.UK	PEFY-P40VMA(L)-ER3.UK	PEFY-P50VMA(L)-ER3.UK	PEFY-P63VMA(L)-ER3.UK	PEFY-P71VMA(L)-ER3.UK	Dwg. No.	Notes for the models	Revision info.
402	S70 K40 313	G	PRINTED CIRCUIT ASSEMBLY	PW 5A								KE01D548B04		
403	S70 K40 310	G	PRINTED CIRCUIT ASSEMBLY	INDOOR CONTROL	1	1	1	1	1	1	1	KE01D546B05		
404	S70 0B4 716	G	TERMINAL BLOCK ASSY		1	1	1	1	1	1	1	BH00C267G05		
405	S70 B02 716	G	TERMINAL BLOCK ASSY		1	1	1	1	1	1	1	BH00C267G04		
406	S70 E40 716	G	TERMINAL BLOCK		1	1	1	1	1	1	1	BH73L021H01		
407	S70 0B1 202	G	THERMISTOR-S	250XAP	1	1	1	1	1	1	1	RG71J628H01		
408	S70 K01 259	G	REACTOR	3A3	1	1	1	1	1	1	1	KE65D486H02		
409	S70 K02 259	G	REACTOR	3A6							1	KE65D487H01		
410	S70 E10 306	G	CORD BUSH		1	1	1	1	1	1	1	BG25U730H01		
411	S70 E14 068	G	BOX UNDER COVER		1	1	1	1	1	1	1	KB02K887Z01		
412	S70 040 292	G	CLAMP FERRITE FOB		1	1	1	1	1	1	1	KE65D273H01		

PEFY-P20,P25,P32,P40VMA(L)-ER3.UK
 PEFY-P50,P63,P71,P80VMA(L)-ER3.UK
 PEFY-P100,P125,P140VMA(L)-ER3.UK

CONTROL BOX PARTS

No.	Part No.	G : RoHS Apply Only W : RoHS Apply by Running Change	Part Name	Spec.	PEFY-P20VMA(L)-ER3.UK	PEFY-P25VMA(L)-ER3.UK	PEFY-P32VMA(L)-ER3.UK	PEFY-P40VMA(L)-ER3.UK	Dwg. No.	Notes for the models	Revision info.
401	S70 K30 313	G	PRINTED CIRCUIT ASSEMBLY	PW 3A	1				KE01D548B03		
402	S70 K40 313	G	PRINTED CIRCUIT ASSEMBLY	PW 5A		1	1	1	KE01D548B04		
403	S70 K40 310	G	PRINTED CIRCUIT ASSEMBLY	INDOOR CONTROL	1	1	1	1	KE01D546B05		
404	S70 0B4 716	G	TERMINAL BLOCK ASSY		1	1	1	1	BH00C267G05		
405	S70 B02 716	G	TERMINAL BLOCK ASSY		1	1	1	1	BH00C267G04		
406	S70 E40 716	G	TERMINAL BLOCK		1	1	1	1	BH73L021H01		
407	S70 0B1 202	G	THERMISTOR-S	250XAP	1	1	1	1	RG71J628H01		
408	S70 K01 259	G	REACTOR	3A3					KE65D486H02		
409	S70 K02 259	G	REACTOR	3A6	1	1	1	1	KE65D487H01		
410	S70 E10 306	G	CORD BUSH		1	1	1	1	BG25U730H01		
411	S70 E14 068	G	BOX UNDER COVER		1	1	1	1	KB02K887Z01		
412	S70 040 292	G	CLAMP FERRITE FOB		1	1	1	1	KE65D273H01		

mitsubishi electric corporation
HEAD OFFICE: TOKYO BLDG., 2-7-3, MARUNOUCHI, CHIYODA-KU, TOKYO 100-8310, JAPAN

BWE012130 (20121130)